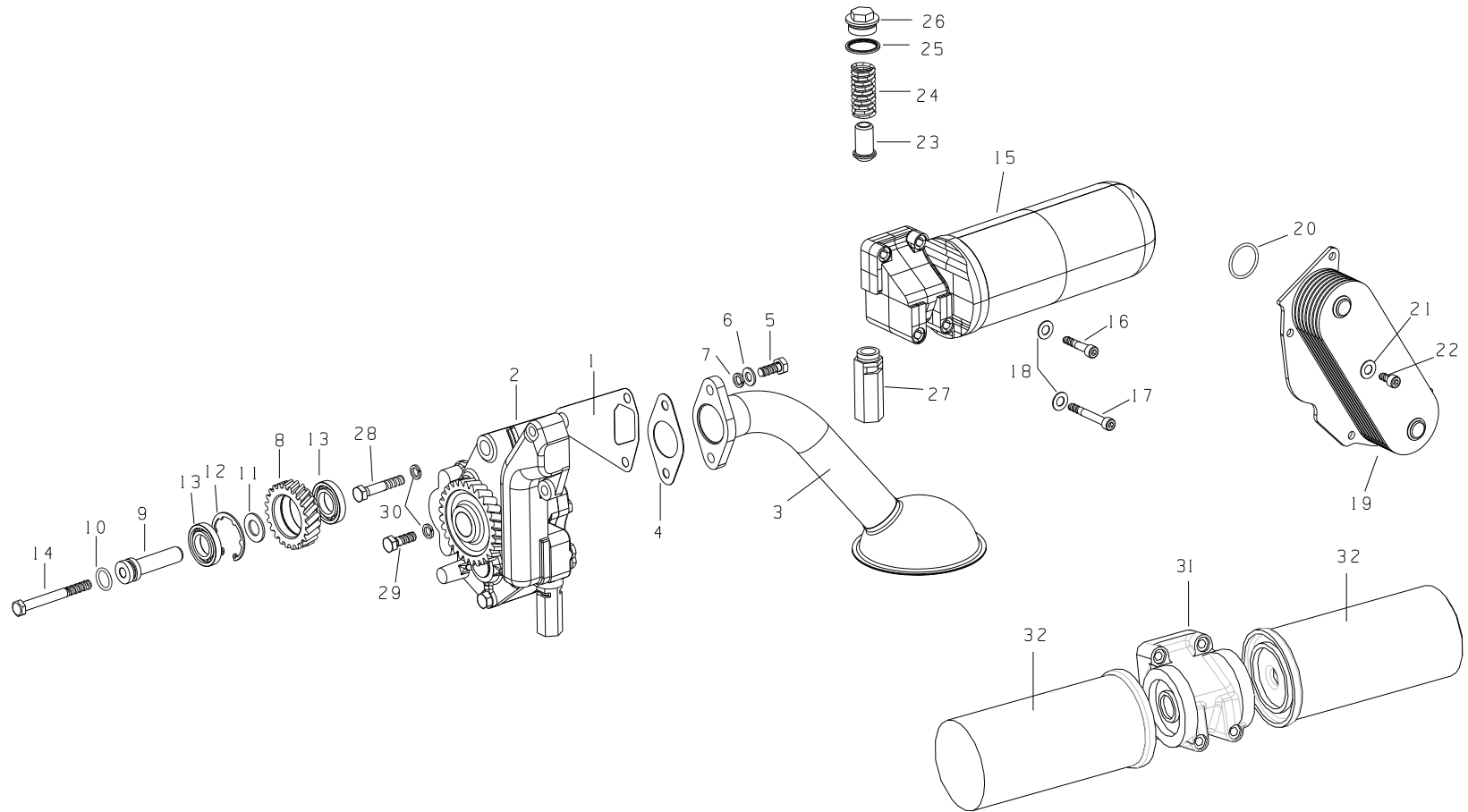


机油泵和滤清器部分 Lubricating Oil Pump and Oil Filter



注：带“*”的零件为选用件