

SX3255DM324R

德龙 F2000 中长平顶驾驶室

目录

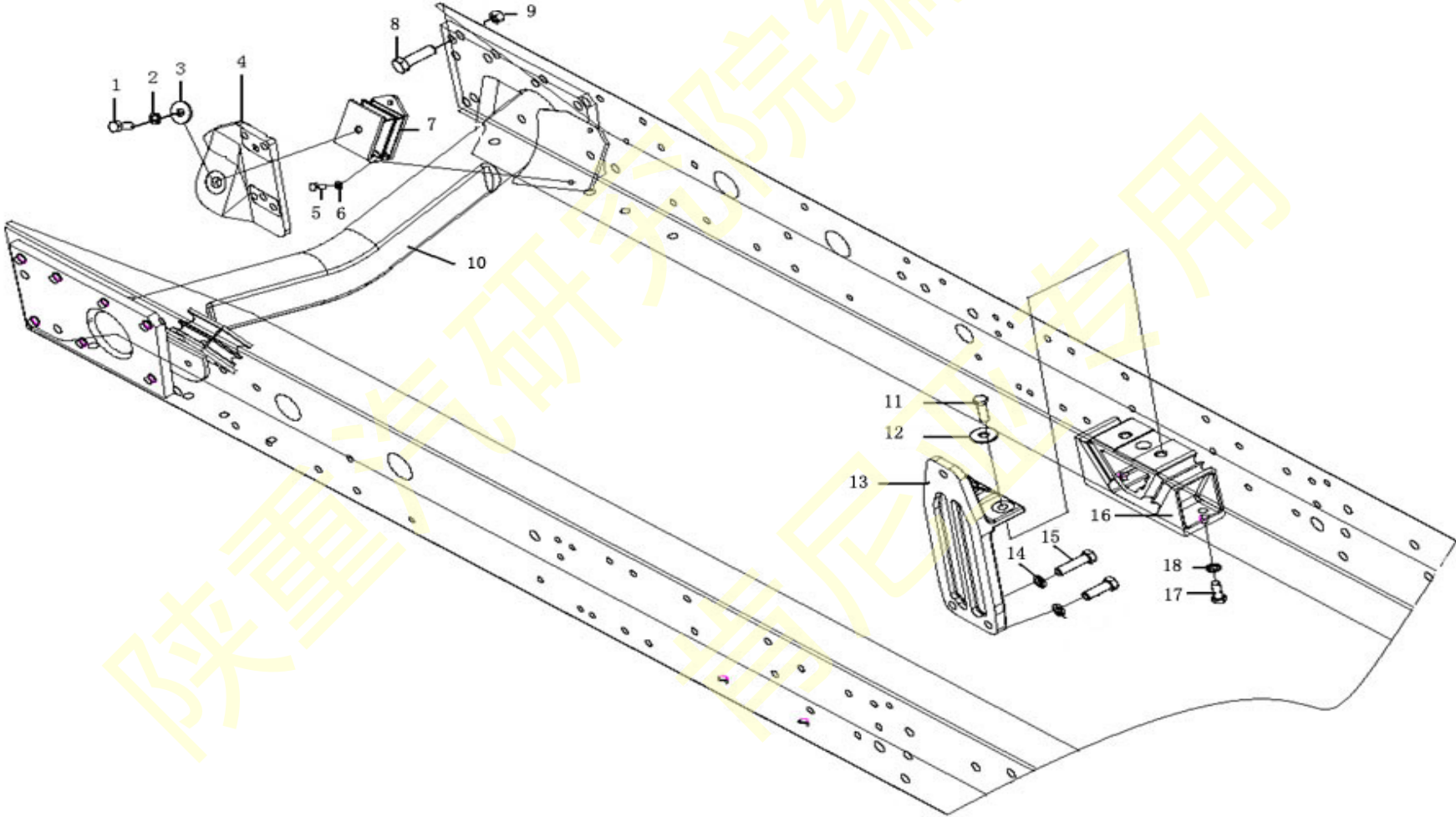
| | |
|---|-----|
| 发动机悬置 Engine mounting | 4 |
| 燃油箱及油门操纵 The fuel tank and throttle control..... | 6 |
| 进气系统 Air intake system | 16 |
| 冷却系统 The cooling system..... | 20 |
| 排气系统 Exhaust system | 28 |
| 离合器操纵 Cluth manipulating | 30 |
| 离合器总成 Clutch assembly | 34 |
| 变速箱悬置及操纵 Gearbox mount and manipulation | 36 |
| 传动轴 Transmisson shaft..... | 44 |
| 前轴 Front axle..... | 46 |
| 驱动桥 Drive axle | 56 |
| 驾驶室本体及内饰 The cab ontology and interior | 106 |
| 驾驶室内饰部件 Cab interor components | 108 |
| 驾驶室外围部件 Car peripheral components..... | 138 |
| 倒车镜 rearview | 180 |
| 外遮阳板 Outer sun visor..... | 184 |
| 翼子板 Fender..... | 190 |
| 上车踏板 Get on car pedal..... | 200 |
| 保险杠 Bumper | 208 |
| 顶置导流罩+侧护板 side shield of top mounted deflector..... | 212 |
| 转向系统 Steering system..... | 218 |
| 制动系统 The braking system | 226 |
| 驾驶室电器 The cab electrical appliances | 251 |
| 底盘电器 Chassis room appliances | 309 |
| 蓄电池 battery..... | 329 |
| 灯 具 Lamps and lanterns..... | 333 |
| 空调系统 The air conditioning system..... | 345 |
| 驾驶室翻转 The cab flip..... | 363 |
| 前悬架 front suspension..... | 365 |

| | |
|---|-----|
| 后悬架 (+悬浮悬架) Afte the suspension..... | 377 |
| 减震器及稳定装置 Shock absorber and stabilizer..... | 387 |
| 车架 The frame..... | 391 |
| 车轮总成 The front wheels assembly | 399 |
| 鞍座及操作平台 The saddle and operation platform | 401 |
| 车辆标识及字母 Vehice identification and letters | 403 |

陕重汽研究院编制
肯尼亚专用

发动机悬置 Engine mounting

发动机悬置 ENGINE SUSPENSION

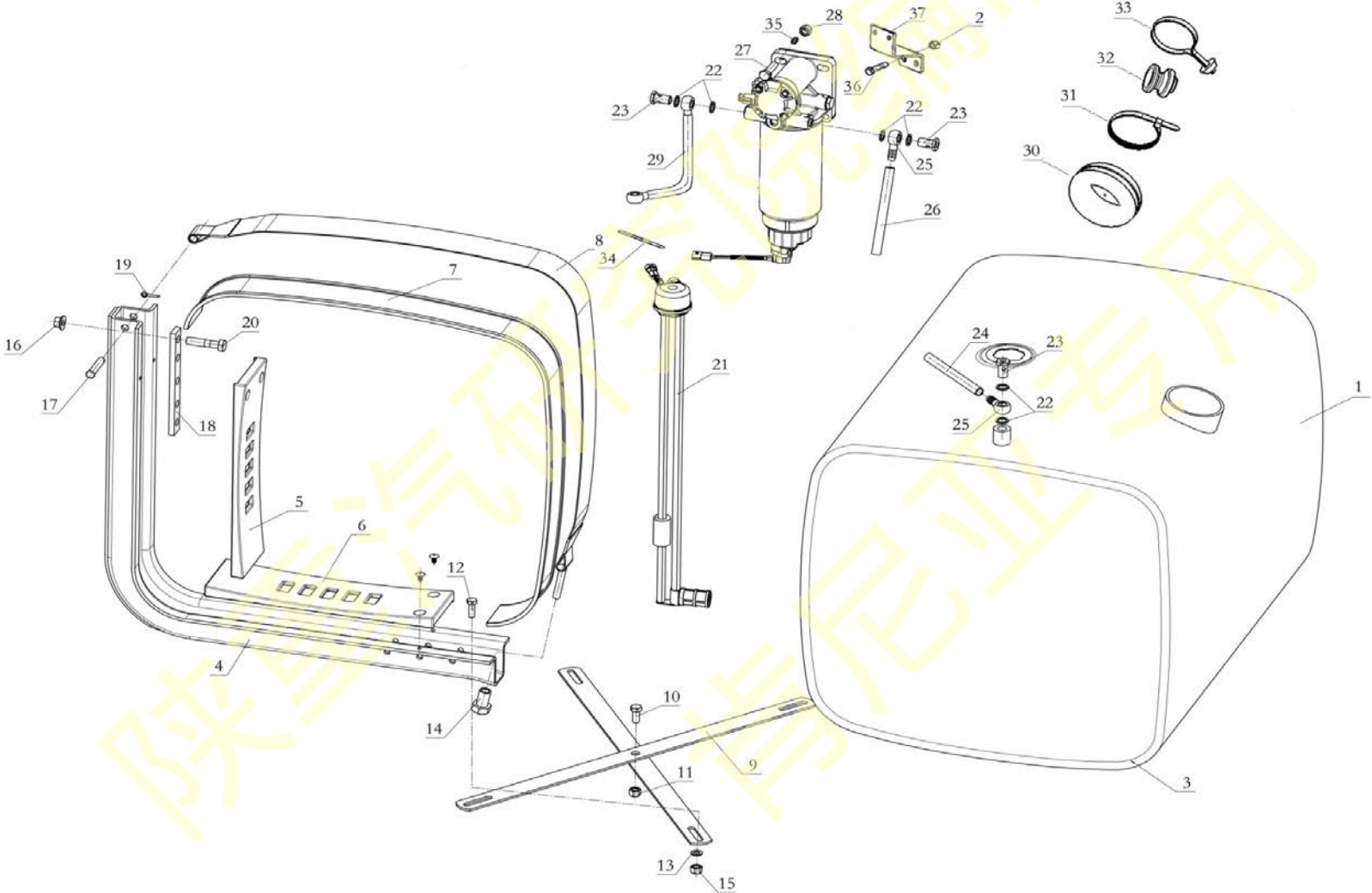


发动机悬置 ENGINE SUSPENSION

| 序号 NO | 件号 Part.No | 名称 Designation | Name | 数量 Quantity | 适用车型 Suited type | 备注 Remark |
|----------|---------------|-------------------|------------------------------|----------------|---------------------|--------------|
| 1 | Q151C1225TF2 | 六角头螺栓 | Hex.screw | 2 | | |
| 2 | Q40312 | 弹簧垫圈 | Spring washer | 8 | | |
| 3 | 1480A360058 | 垫圈 | Washer | 2 | | |
| 4 | DZ93259591033 | 发动机前支架(右) | Front bracket engine (right) | 1 | | |
| | DZ93259591032 | 发动机前支架(左) | Front bracket engine (left) | 1 | | |
| 5 | Q150B0825TF2 | 六角头螺栓 | Hex screw | 4 | | |
| 6 | Q40308 | 弹簧垫圈 | Spring washer | 4 | | |
| 7 | DZ9114593001 | 发动机前悬置软垫 | Front support engine | 2 | | |
| 8 | Q151B1435TF2 | 六角头螺栓 | Hex screw | 2 | | |
| 9 | 06.11251.2005 | 六角头自锁紧螺母 | Metal hex locknut | 2 | | |
| 10 | DZ93259590160 | 管状横梁总成 | Cross member assembly | 1 | | |
| 11 | Q151B1435TF2 | 六角头螺栓 | Hex screw | 4 | | |
| 12 | Q40314 | 弹簧垫圈 | Spring washer | 2 | | |
| 13 | DZ9114598693 | 右支承托架 | Right bracket | 1 | | |
| | DZ9114598692 | 左支承托架 | Left backet | 1 | | |
| 14 | Q40314 | 弹簧垫圈 | Spring washer | 4 | | |
| 15 | Q151B1435TF2 | 六角头螺栓 | Hex screw | 2 | | |
| 16 | SZ959000797 | 楔形支承总成 | V shape support assmbly | 2 | | |
| 17 | Q151B1435TF2 | 六角头螺栓 | Hex screw | 4 | | |
| 18 | Q40314 | 弹簧垫圈 | Spring washer | 2 | | |

燃油箱及油门操纵 The fuel tank and throttle control

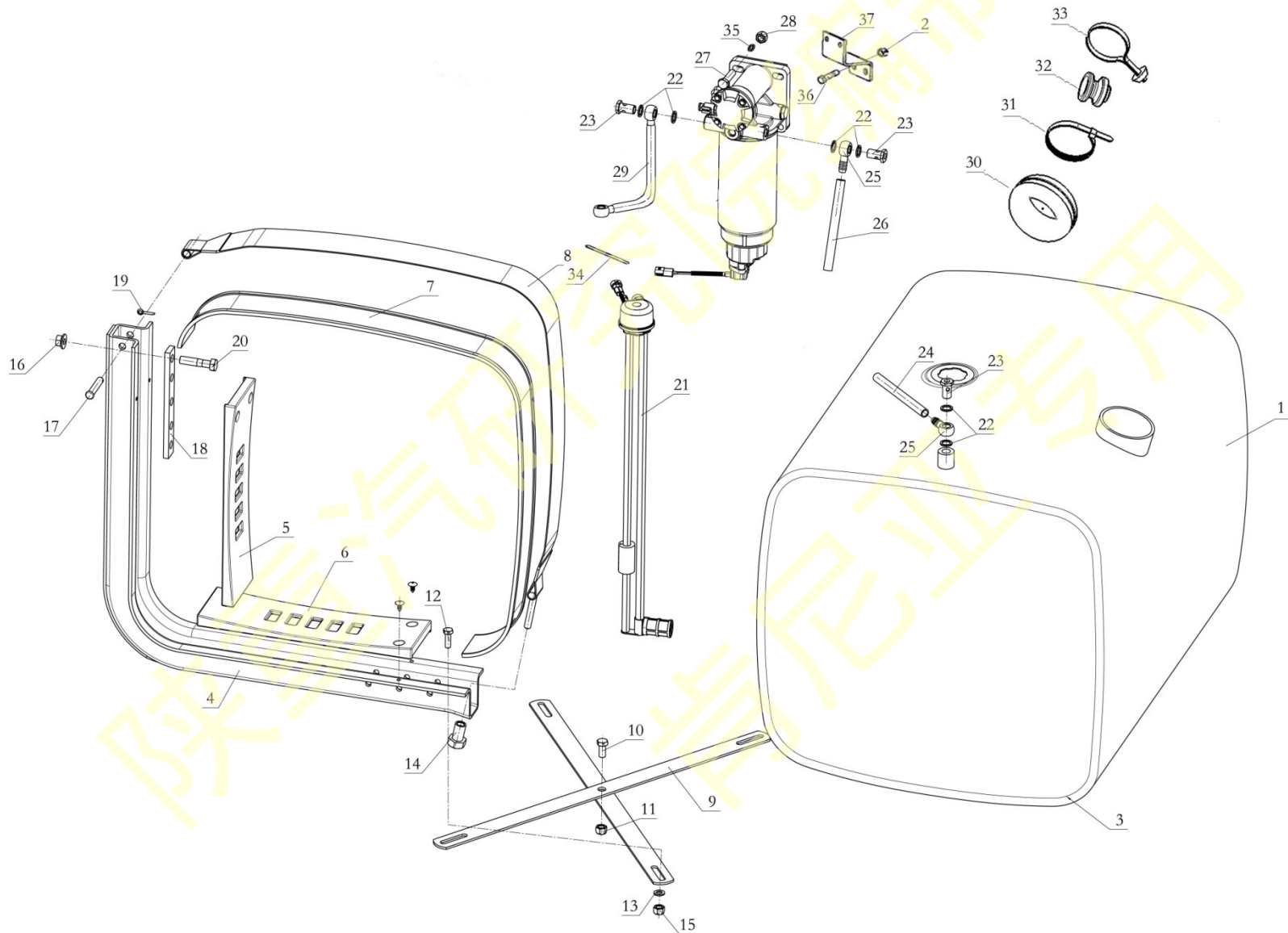
380L 燃油箱及管路 FUEL TANK ASSEMBLY



380L 燃油箱及管路 FUEL TANK ASSEMBLY

| 序号 NO | 件号 Part.No | 名称 Designation | Name | 数量 Quantity | 适用车型 Suited type | 备注 Remark |
|----------|---------------|-------------------|--------------------------|----------------|---------------------|--------------|
| 1 | DZ91189550380 | 燃油箱总成 37 (WP) | Fuel Tank | 1 | | |
| 2 | 190003888458 | 自锁螺母 | Locking nut | 2 | | |
| 3 | 190003179030 | 护垫 | Protector | 2 | | 2.43m |
| 4 | DZ91189552330 | 油箱支架总成 | Bracket | 2 | | |
| 5 | DZ91189553801 | 油箱支架护垫 | Rear plate | 2 | | |
| 6 | DZ91189553801 | 油箱支架护垫 | Rear plate | 2 | | |
| 7 | DZ91189552702 | 护垫 | Protector | 2 | | |
| 8 | DZ91189553820 | 紧固带总成 | Fastening strap assembly | 2 | | |
| 9 | 81.12240.0003 | 拉带 | Drawstring | 2 | | |
| 10 | Q151C1225T1F3 | 六角头螺栓-细牙 | Hex screw | 1 | | |
| 11 | 190003888457 | 自锁螺母 | Locking nut | 1 | | |
| 12 | Q150B1030T1F3 | 六角头螺栓 | Hex screw | 4 | | |
| 13 | Q401B10 | 平垫圈 | Washer | 4 | | |
| 14 | DZ91189550396 | 插入式螺母 | Nut | 2 | | |
| 15 | Q33210T2F3 | 2 型全金属六角锁紧螺母 | Locking nut | 4 | | |
| 16 | 190003888627 | 自锁螺母 | Locking nut | 4 | | |
| 17 | Q5101265 | 销轴 | Shaft | 2 | | |
| 18 | 199112550128 | 板 | Rear plate | 1 | | |
| 19 | Q5004020 | 开口销 | Cotter pin | 2 | | |
| 20 | Q151B1660T1F3 | 六角头螺栓-细牙 | Hex screw | 4 | | |
| 21 | DZ93259551131 | 油量感应器 | Sensor | 1 | | |
| 22 | Q72316T5F | 密封垫圈 | Seal washer | 6 | | |
| | Q72314T5F | 密封垫圈 | Seal washer | 4 | | 发动机进油、回油口 |
| 23 | 190003962627 | 空心螺栓 | Hollow bolt | 3 | | |
| | 190003962621 | 空心螺栓 | Hollow bolt | 2 | | 发动机进油、回油口 |

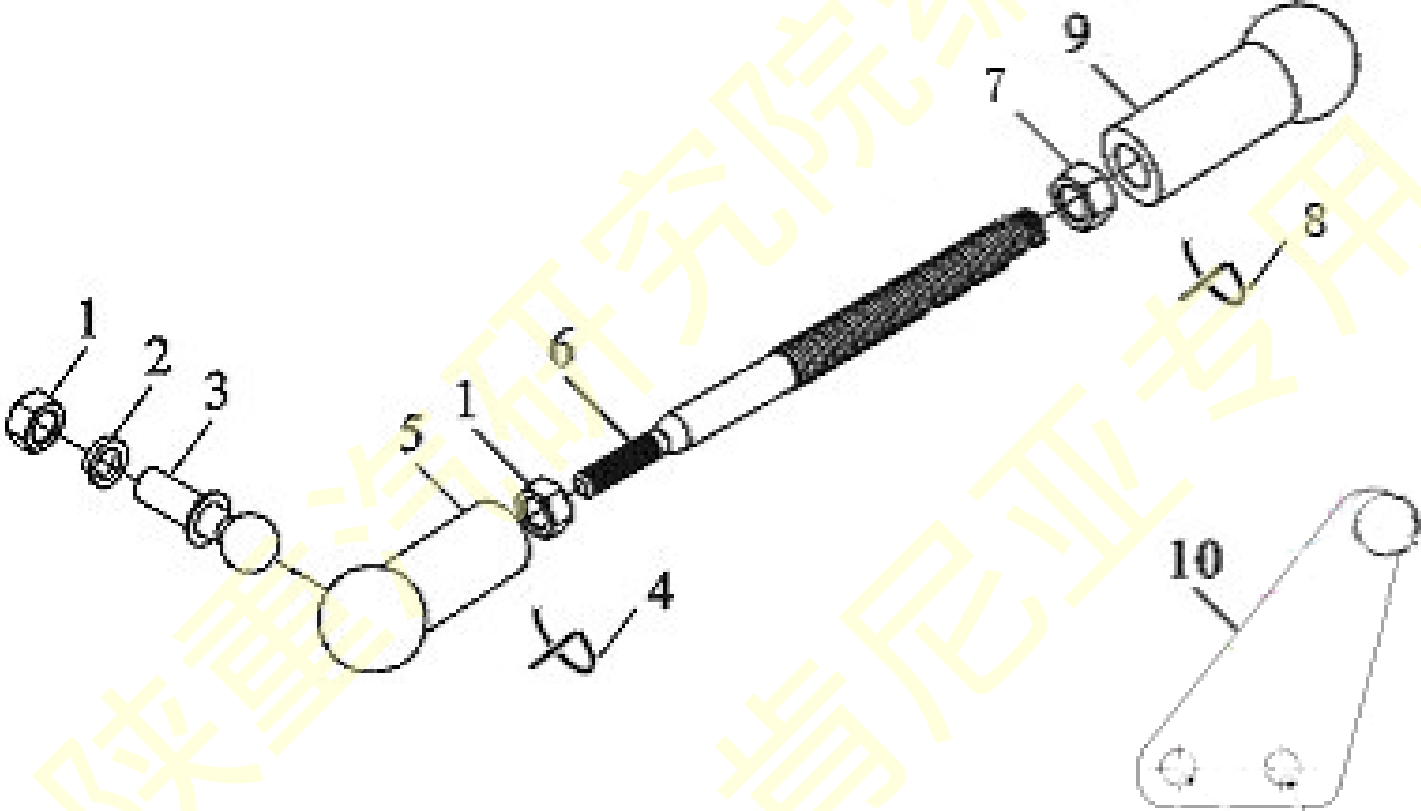
380L 燃油箱及管路 FUEL TANK ASSEMBLY



380L 燃油箱及管路 FUEL TANK ASSEMBLY

| 序号 NO | 件号 Part.No | 名称 Designation | Name | 数量 Quantity | 适用车型 Suited type | 备注 Remark |
|----------|---------------|-------------------------|--------------------------|----------------|---------------------|--------------|
| 24 | 190003179784 | 聚酰胺管 | Pipe | 4m | | |
| 25 | DZ9114550043 | 软管接头 | Hose joint | 2 | | |
| | 199014230017 | 软管接头 | Hose joint | 1 | | 发动机进油、回油口 |
| 26 | 190003179784 | 聚酰胺管 | Pipe | 3.4m | | |
| 27 | Q151C1245T1F3 | 六角头螺栓细牙 | Hex screw | 2 | | |
| 28 | 190003888457 | 自锁螺母 | Locking nut | 2 | | |
| 29 | DZ91189556060 | 成型管和接头总成 | Molding hose joint | 1 | | |
| 30 | DZ96189777086 | 穿线护套(Φ36) | Threading jacket | 2 | | |
| 31 | 190003171697 | 塑料紧固带-A5×180 N05199 | Fastening strap assembly | 8 | | |
| 32 | DZ93189777034 | 隔离块 | Isolation block | 3 | | |
| 33 | DZ93189777033 | 带隔环紧固带(7.6*375) | Fastening strap assembly | 3 | | |
| 34 | 190003179781 | 聚酰胺管A11-8×1 QC/T80-1993 | Pipe | 0.5m | | |
| 35 | Q402B12 | 大垫圈(镀锌) | Galvanized washer | 2 | | |
| 36 | Q151B1435T1F3 | 六角头螺栓细牙 | Hex screw | 1 | | |
| 37 | DZ92189550022 | 粗滤器支架总成 | Bracket assembly | 2 | | |

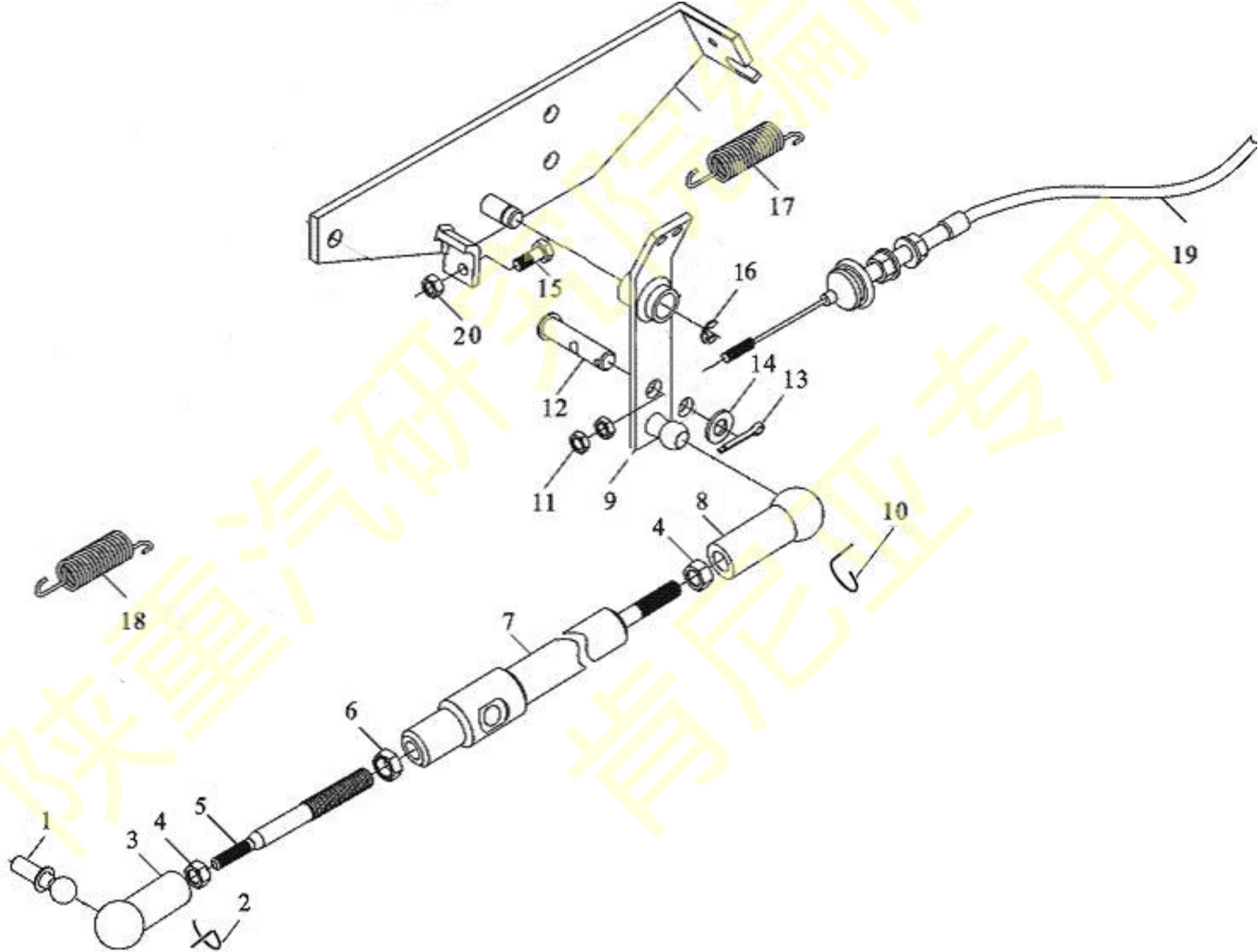
停油缸分离机构 ACCELEROGRAPH CONTROL DEVICE



停油缸分离机构 ACCELEROGRAPH CONTROL DEVICE

| 序号 NO | 件号 Part.No | 名称 Designation | Name | 数量 Quantity | 适用车型 Suited type | 备注 Remark |
|----------|---------------|-------------------|---------------|----------------|---------------------|--------------|
| 1 | Q340B06 | 1型六角螺母(镀锌) | Hex nut | 2 | | |
| 2 | Q40506 | 重型弹簧垫圈 | Spring washer | 1 | | |
| 3 | 190003963616 | 带锁环的球形活节 | Ball clevis | 1 | | |
| 4 | 190003936513 | 卡箍 | Slip | 1 | | |
| 5 | DZ91189573313 | 球头销 | Ball pin | 1 | | |
| 6 | DZ93189570215 | 螺杆 | Threaded rod | 1 | WP10EGR 用 | |
| | DZ93189570223 | 螺杆 | Threaded rod | 1 | WP12EGR、WD12 用 | |
| 7 | Q340B08T2F3 | 1型六角螺母 | Hex nut | 1 | | |
| 8 | 190003936514 | 卡箍 | Slip | 1 | | |
| 9 | 190003963623 | 带锁环的球形活节 | Ball clevis | 1 | | |
| 10 | DZ93189570216 | 连连接板总成 | plate | 1 | WP10EGR 用 | |
| | DZ93189570224 | 连连接板总成 | plate | 1 | WP12EGR、WD12 用 | |

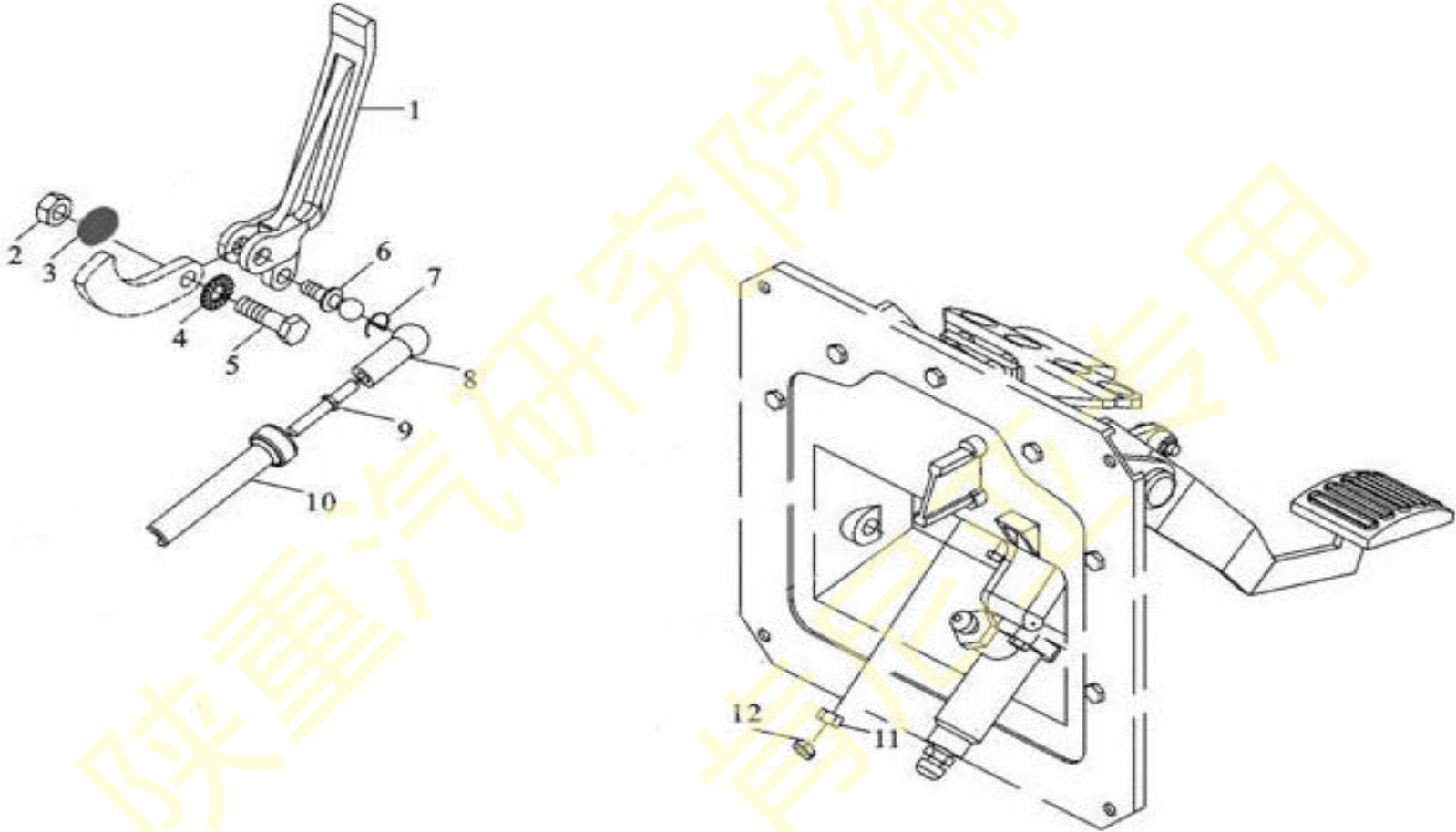
供油调节系统 FUEL RADIATOR SYSTEM



供油调节系统 FUEL RADIATOR SYSTEM

| 序号 NO | 件号 Part.No | 名称 Designation | Name | 数量 Quantity | 适用车型 Suited type | 备注 Remark |
|----------|---------------|-------------------|--------------------|----------------|---------------------|--------------|
| 1 | 179100570031 | 球头销 | Ball pin | 1 | | |
| 2 | 190003936513 | 卡箍 | Slip | 1 | | |
| 3 | 190003963616 | 带锁环的球形活节 | Ball clevis | 1 | | |
| 4 | Q33206 | 2型全金属六角锁紧螺母(镀锌) | Hex nut | 2 | | |
| 5 | 162100080036 | 螺杆 | Threaded rod | 1 | | |
| 6 | Q340B10T2F3 | 1型六角螺母 | Hex nut | 1 | | |
| 7 | 179000570084 | 停油缸 | Air cylinder | 1 | | |
| 8 | 190003963623 | 带锁环的球形活节 | Ball clevis | 1 | | |
| 9 | DZ9100570210 | 杠杆总成 | Lever assembly | 1 | | |
| 10 | 190003936514 | 卡箍 | Slip | 1 | | |
| 11 | Q350B06 | 六角薄螺母 | Hex nut | 2 | | |
| 12 | Q5100618 | 销轴 | Bolt | 1 | | |
| 13 | Q5001610 | 开口销 | Cotter pin | 1 | | |
| 14 | Q40006 | 小垫圈(镀锌) | Washer | 1 | | |
| 15 | Q150B0620 | 六角头螺栓(镀锌) | Hex screw | 1 | | |
| 16 | Q43680 | 开口挡圈 | Snap ring | 2 | | |
| 17 | 199100570065 | 拉力弹簧 | Sping | 1 | | |
| 18 | 199100570065 | 拉力弹簧 | Sping | 1 | | |
| 19 | DZ93189575006 | 油门拉线 | Accelerograph pull | 1 | | |
| 20 | Q340B08T2F3 | 1型六角螺母 | Hex nut | 1 | | |

油门操纵机构 ACCELEROGRAPH CONTROL DEVICE

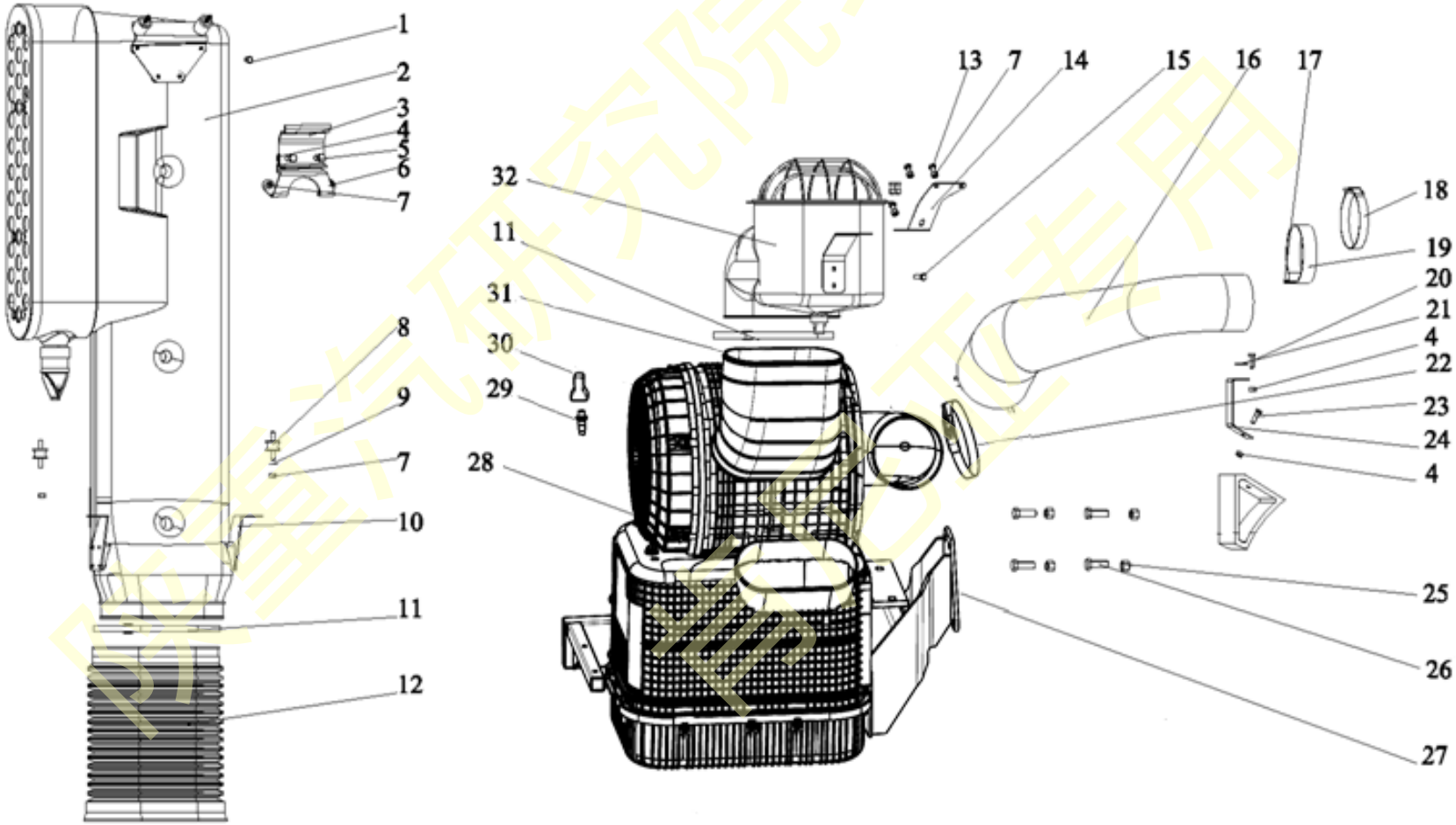


油门操纵机构 ACCELEROGRAPH CONTROL DEVICE

| 序号 NO | 件号 Part.No | 名称 Designation | Name | 数量 Quantity | 适用车型 Suited type | 备注 Remark |
|----------|---------------|-------------------|----------------|----------------|---------------------|--------------|
| 1 | DZ93189570011 | 手油门操纵杆 | Handle | 1 | | |
| 2 | Q33210T2F3 | 2 型全金属六角锁紧螺母 | Nut | 1 | | |
| 3 | 118800570074 | 摩擦园盘 | Friction plate | 1 | | |
| 4 | 118000530009 | 盘形弹簧 | Spring washer | 1 | | |
| 5 | Q150B1030T1F3 | 六角头螺栓 | Hex. Screw | 1 | | |
| 6 | 190003963623 | 带锁环的球型活节 | Ball joint | 1 | | |
| 7 | 190003936514 | 卡 箍 | Clip | 1 | | |
| 8 | 190003963320 | 球头销 | Ball pin | 1 | | |
| 9 | 81.90490.0458 | 双头螺杆 | Stud | 1 | | |
| 10 | 81.90685.0306 | 工程塑料杆 | Plastic stud | 1 | | |
| 11 | Q40308 | 弹簧垫圈 | Washer | 1 | | |
| 12 | Q340B08T2F3 | 1 型六角螺母 | Nut | 1 | | |

进气系统 Air intake system

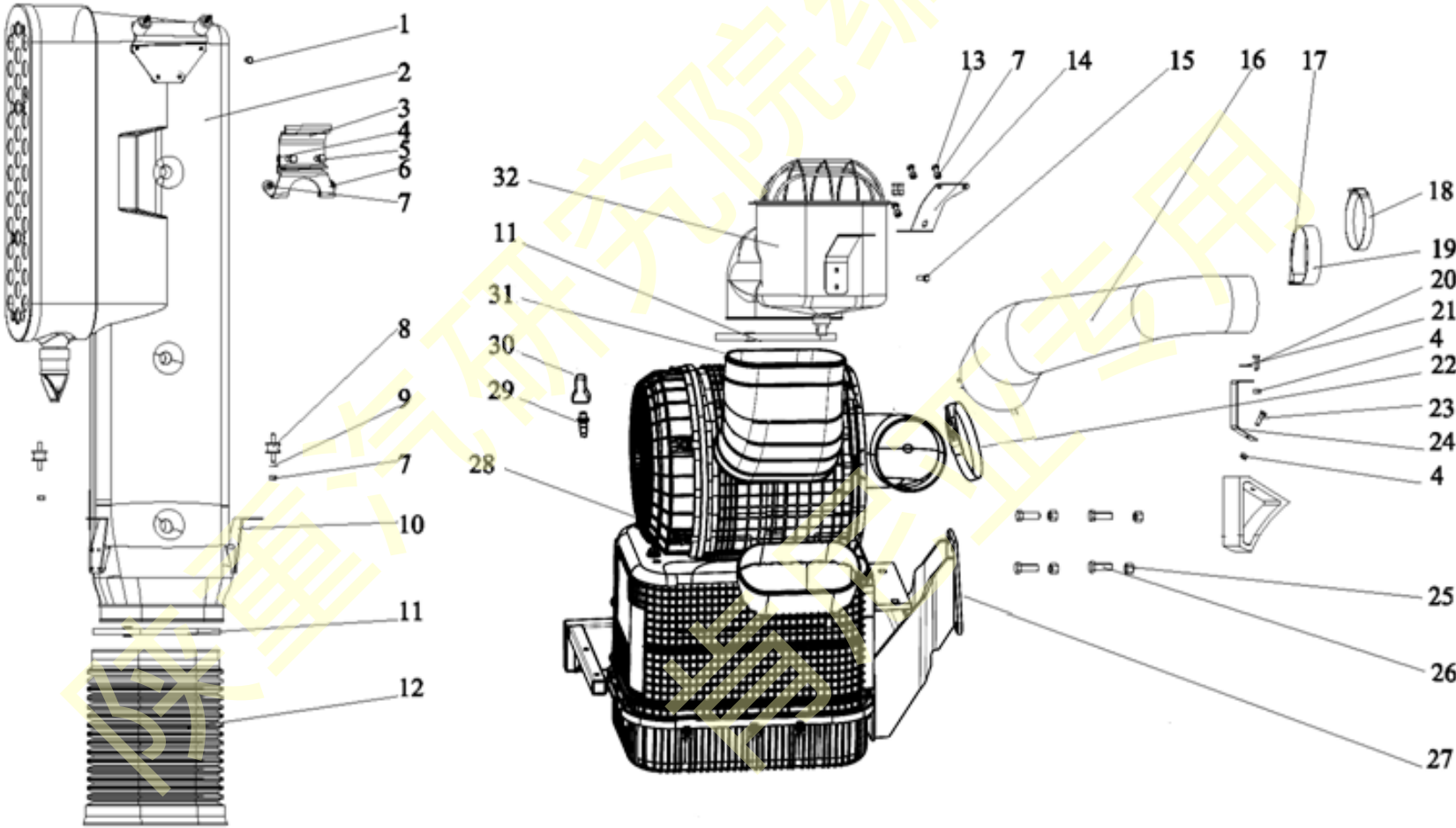
空气滤清装置 AIR CLEANING DEVICE (F2000/WP10)



空气滤清装置 AIR CLEANING DEVICE (F2000/WP10)

| 序号 NO | 件号 Part. No | 名称 Designation | Name | 数量 Quantity | 适用车型 Suited type | 备注 Remark |
|----------|----------------|-------------------|----------------------|----------------|---------------------|--------------|
| 1 | Q2610816 | 六角头自攻锁紧螺钉 | Screw | 2 | | |
| 2 | DZ93259190005 | 进气管带支架总成 | Intake pipe assembly | 7 | | |
| 3 | 81.62940.5011 | 支 架 | Bracket | 1 | | |
| 4 | Q33210 | II 型全金属六角锁紧螺母 | Hex. nut | 10 | | |
| 5 | Q150B1030 | 六角头螺栓 | Hex screw | 2 | | |
| 6 | DZ9112196038 | 蝴蝶支架总成 | Bracket | 1 | | |
| 7 | Q340B08 | I 型六角螺母 | Hex nut | 11 | | |
| 8 | 81.96210.0289 | 缓冲块 | Cushion block | 1 | | |
| 9 | Q40308 | 弹簧垫圈 | Spring washer | 13 | | |
| 10 | DZ9112196034 | 扁管托架 | Bracket | 2 | | |
| 11 | DZ9114190934 | 卡箍 (中) | Clip | 2 | | |
| 12 | DZ93259190006 | 波纹管总成 | Screw pipe | 1 | | |
| 13 | Q150B0820 | 六角头螺栓 | Hex screw | 7 | | |
| 14 | DZ9112190134 | 支架 (四) | Bracket | 1 | | |
| 15 | Q2610860 | 六角头自攻锁紧螺钉 | Screw | 2 | | |
| 16 | DZ9112190078 | 空气软管 | Hose | 1 | | |
| | DZ9112190079 | 空气软管 | Hose | 1 | | |
| | DZ9112190080 | 空气软管 | Hose | 1 | | |
| 17 | 199100360135 | 隔 环 | Partition ring | 1 | | |
| 18 | DZ9003532122 | T 型卡箍 | Clip | 1 | | |
| 19 | SZ919000029 | 软管卡箍 | Tube clip | 1 | | |
| 20 | Q150B1020 | 六角头螺栓 | Hex screw | 1 | | |
| 21 | Q40310 | 弹簧垫圈 | Spring washer | 7 | | |
| 22 | 190003989365 | 软管卡箍 | Clip | 1 | | |
| 23 | Q150B1025 | 六角头螺栓 | Hex screw | 1 | | |

空气滤清装置 AIR CLEANING DEVICE (F2000/WP10)

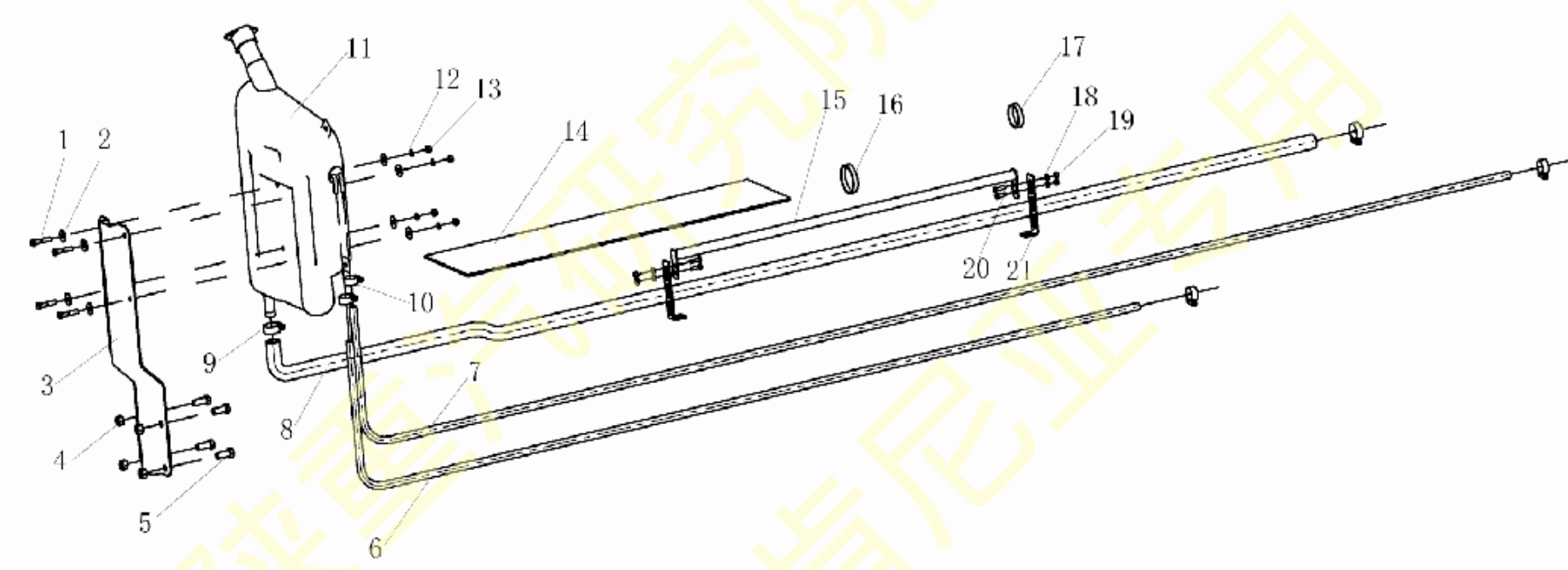


空气滤清装置 AIR CLEANING DEVICE (F2000/WP10)

| 序号 NO | 件号 Part. No | 名称 Designation | Name | 数量 Quantity | 适用车型 Suited type | 备注 Remark |
|----------|----------------|-------------------------|----------------------|----------------|---------------------|--------------|
| 24 | DZ9112190055 | 夹板 | Plywood | 1 | | |
| | DZ95319190513 | 夹板 | Plywood | 1 | | |
| 25 | 06.11251.2005 | 六角螺母 M7.112.40 | Hex. nut | 4 | | |
| | | M14*1.5-10-MAN183B1 带法兰 | | | | |
| 26 | Q151B1440TF3 | 六角头螺栓-细牙 | Hex screw | 4 | | |
| 27 | DZ93259190450 | 空滤器托架 | air cleaner Bracket | 1 | | |
| | DZ95259190440 | 空滤器托架 | air cleaner Bracket | 1 | | |
| | DZ95259190590 | 空滤器托架 | air cleaner Bracket | 1 | | |
| | DZ95319190505 | 空滤器托架总成 | air cleaner Bracket | 1 | | |
| | DZ93259190517 | 空滤器托架 | air cleaner Bracket | 1 | | |
| | DZ95259190540 | 空滤器托架 | air cleaner Bracket | 1 | | |
| | DZ91259190042 | 油浴式空滤器 | oil-bath air cleaner | 1 | | |
| 28 | DZ91259190056 | 油浴式空滤器 | oil-bath air cleaner | 1 | | |
| | 161200190040 | 干式空滤器堵塞开关 | Stopper switch | 1 | | |
| 29 | 169100770028 | 保护罩 | Protect cover | 1 | | |
| 31 | DZ95319190005 | 进气胶管 | Hose | 1 | | |
| | DZ95259190194 | 进气胶管 | Hose | 1 | | |
| | DZ93319190191 | 进气胶管 | Hose | 1 | | |
| | DZ93259190190 | 进气胶管 | Hose | 1 | | |
| | SZ919000799 | 进气胶管 | Hose | 1 | | |
| 32 | DZ93259190009 | 底座总成 | Pedestal assembly | 1 | | |

冷却系统 The cooling system

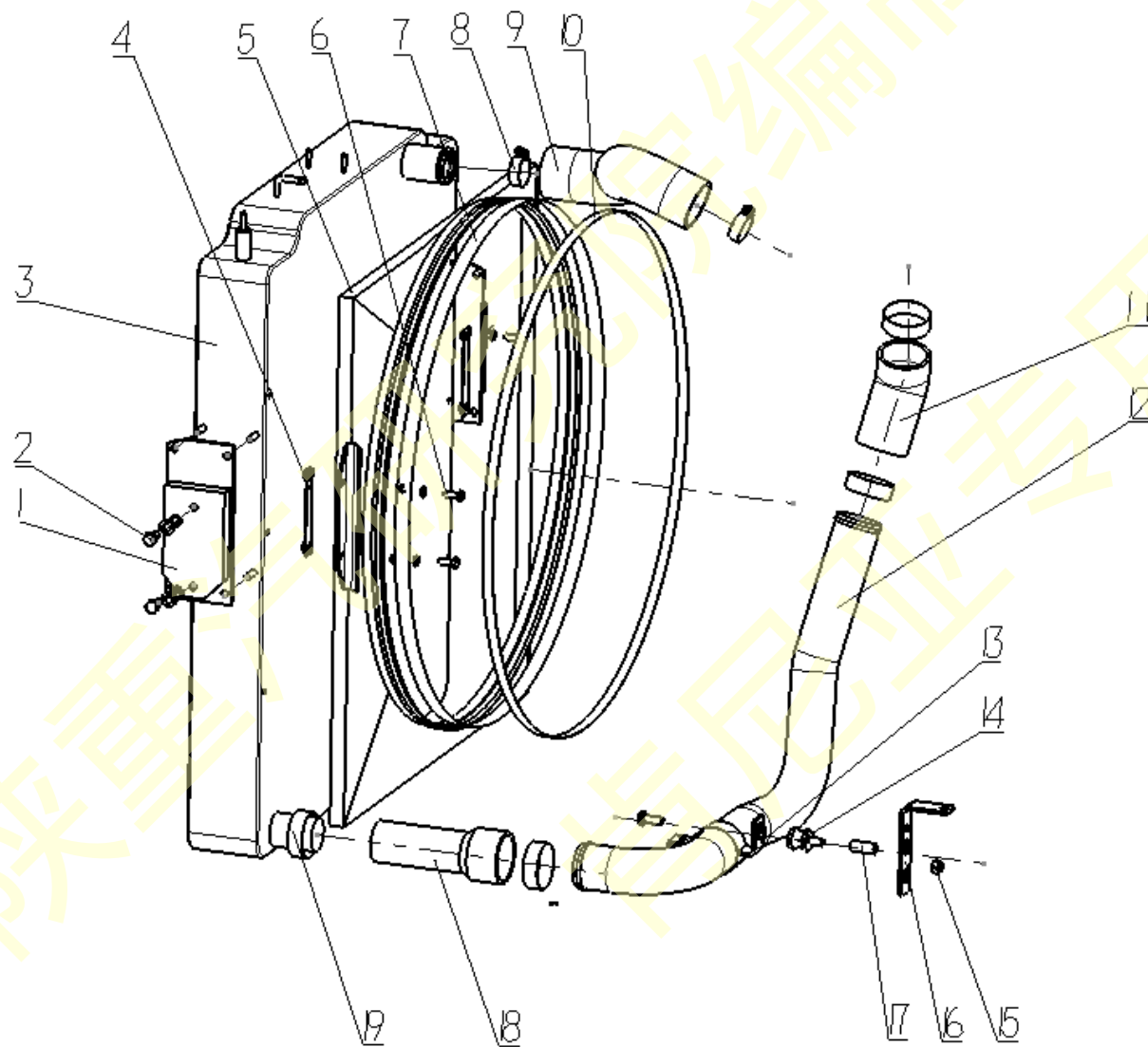
膨胀箱系统 Expansion box system



膨胀箱系统 Expansion box system

| 序号 NO | 件号 Part.No | 名称 Designation | Name | 数量 Quantity | 适用车型 Suited type | 备注 Remark |
|----------|----------------------|-------------------|-------------------------|----------------|---------------------|--------------|
| 1 | Q150B0840 | 六角头螺栓 | Hex screw | 4 | | |
| 2 | Q40208 | 大垫圈 | Washer | 8 | | |
| 3 | DZ9114530361 | 膨胀箱支架 | Expansion box bracket | 1 | N、J 驾驶室 | |
| | DZ9114530362 | 膨胀箱支架 | Expansion box bracket | 1 | D 驾驶室 | |
| 4 | Q33212 | 2 型全金属六角锁紧螺母 | Hex nut | 4 | | |
| 5 | Q150B1230TF2 | 六角头螺栓 | Hex screw | 4 | | |
| 6 | 199100530125 | 橡胶软管 | Hose | 1 | | |
| 7 | 199114530428 | 橡胶软管 | Hose | 1 | | |
| 8 | 116100840031 | 橡胶软管 | Hose | 1 | WP10、WD12 | |
| | <u>DZ1643840011</u> | 橡胶软管 | Hose | 1 | WP12 | |
| 9 | <u>190003989301</u> | B 型蜗杆传动式软管环箍 | Clip | 2 | | |
| 10 | <u>190003989300</u> | B 型蜗杆传动式软管环箍 | Clip | 4 | | |
| 11 | DZ9114530260 | 膨胀箱总成 | Expansion box assembly | 1 | | |
| 12 | Q40308 | 弹簧垫圈 | Spring washer | 4 | WP10、WD12 | |
| 13 | Q340B08 | 1 型六角螺母 | Hex nut | 4 | WP12 | |
| 14 | DZ9112360041 | 管束隔热护套 | Protecting jacket | 1 | | |
| 15 | DZ95259534009 | 钢管支架总成 | Bracket assembly | 1 | | |
| | <u>DZ95259534004</u> | 钢管支架总成 | Bracket assembly | 1 | | |
| 16 | 190003171356 | 塑料紧箍带 | Plastic fastening strap | 6 | | |
| 17 | 190003171697 | 塑料紧箍带 | Plastic fastening strap | 6 | | |
| 18 | Q40106 | 平垫圈 | Washer | 4 | | |
| 19 | Q33206 | 2 型全金属六角锁紧螺母 | Hex nut | 4 | | |
| 20 | Q150B0620 | 六角头螺栓 | Hex screw | 4 | | |
| 21 | 188000360083 | 支承板 | Bracket | 2 | WP10、WD12 | |
| | <u>DZ13241841502</u> | 支架总成(一) | Bracket assembly | 2 | WP12 | |

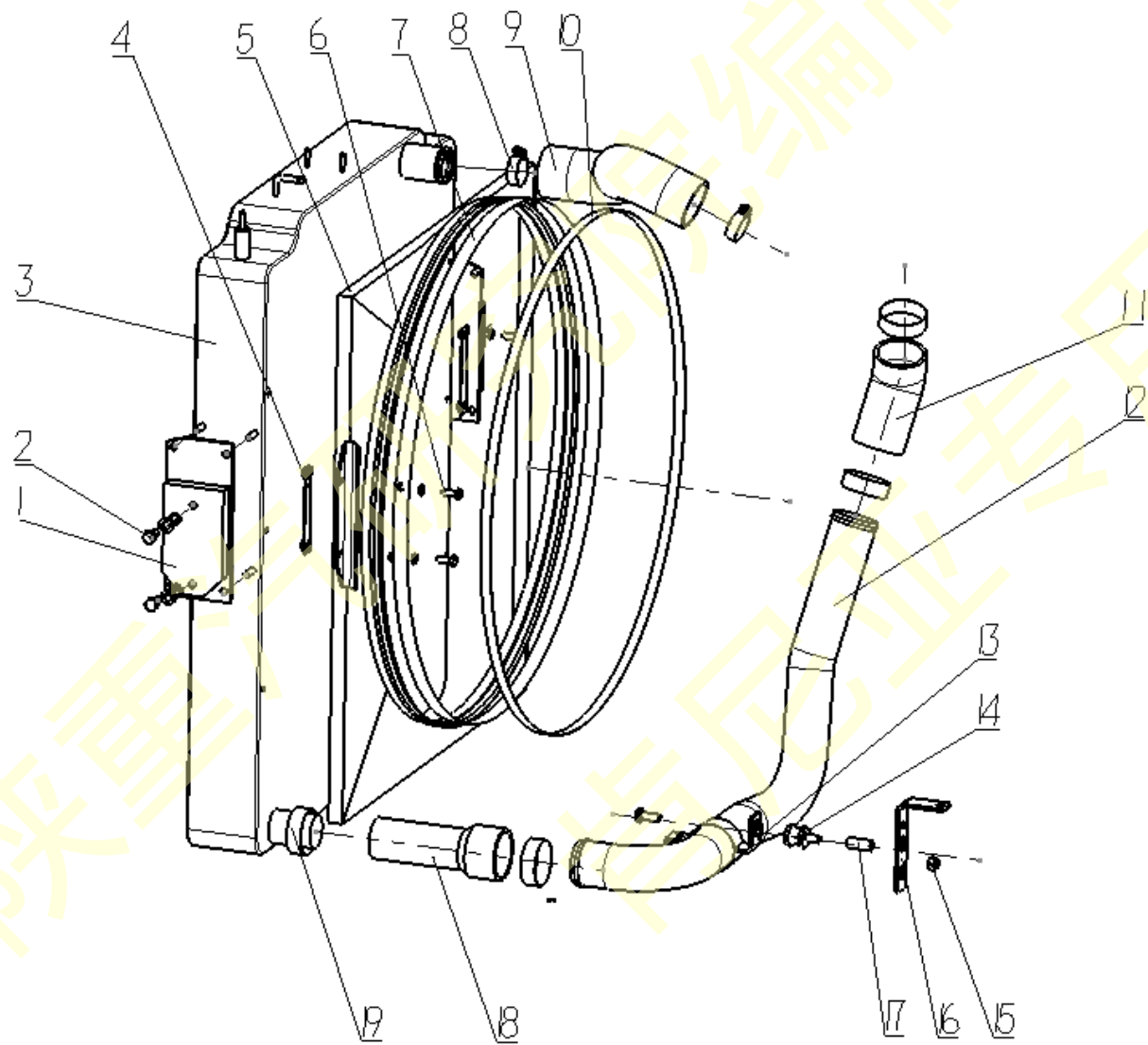
冷却系 COOLER SYSTEM



冷却系 COOLER SYSTEM

| 序号 NO | 件号 Part. No | 名称 Designation | Name | 数量 Quantity | 适用车型 Suited type | 备注 Remark |
|----------|----------------|-------------------|----------------------|----------------|---------------------|--------------|
| 1 | 199100530161 | 散热器支座 | Right support | 2 | | |
| 2 | Q150B1020T1F3 | 六角头螺栓 | Hex screw | 4 | | |
| | Q40310 | 弹簧垫圈 | Spring washer | 4 | | |
| | Q401B10 | 平垫圈 (镀锌) | Washer | 5 | | |
| | Q150B0816 | 六角头螺栓 (镀锌) | Hex screw | 8 | | |
| | Q41208 | 外锯齿锁紧垫圈 | Locking washer | 8 | | |
| | Q40008 | 小垫圈 (镀锌) | Washer | 8 | | |
| 3 | DZ9112532888 | 铝散热器总成 | Radiator water cover | 1 | 336hp | |
| | DZ9112539267 | 铝散热器总成 | Radiator water cover | 1 | DC93259530213 | |
| | DZ9112539268 | 铝散热器总成 | Radiator water cover | 1 | 336 hp 以上 | |
| | DZ9112530268 | 水冷散热器 | Radiator water cover | 1 | 336 hp 以上 | 用于装铜水箱 |
| 4 | 178000530009 | 压紧片总成 | Compress slice | 2 | | |
| 5 | DZ9114530385 | 护风罩总成 | Air duct assembly | 1 | | |
| | DZ9114533420 | 护风罩总成 | Air duct assembly | 1 | DC93259530213 | |
| | Q33208T2F3 | 2 型全金属六角锁紧螺母 | Nut | 16 | | |
| | Q40008 | 小垫圈 (镀锌) | Washer | 8 | | |
| 6 | Q150B0820T1F3 | 六角头螺栓 | Hex screw | 4 | | |
| | Q40008 | 小垫圈 | Washer | 4 | | |
| | Q40308 | 弹簧垫圈 | Support | 5 | | |
| 7 | 190003129804 | 橡胶密封带 | Rubber sealing belt | 3 米 | | |
| 8 | Q67683 | B 型蜗杆传动式软管环箍 | Clip | 2 | | |
| 9 | DZ93259535517 | 散热器进水胶管 | Hose | 1 | | |
| | DZ93259535518 | 散热器进水胶管 | Hose | 1 | DC93259530213 | |
| 10 | DZ91259538601 | 蜗杆传动式软管环箍 | Clip | 1 | | |
| 11 | DZ93259535510 | 内氟外硅胶管 | Rubber hose | 1 | | |

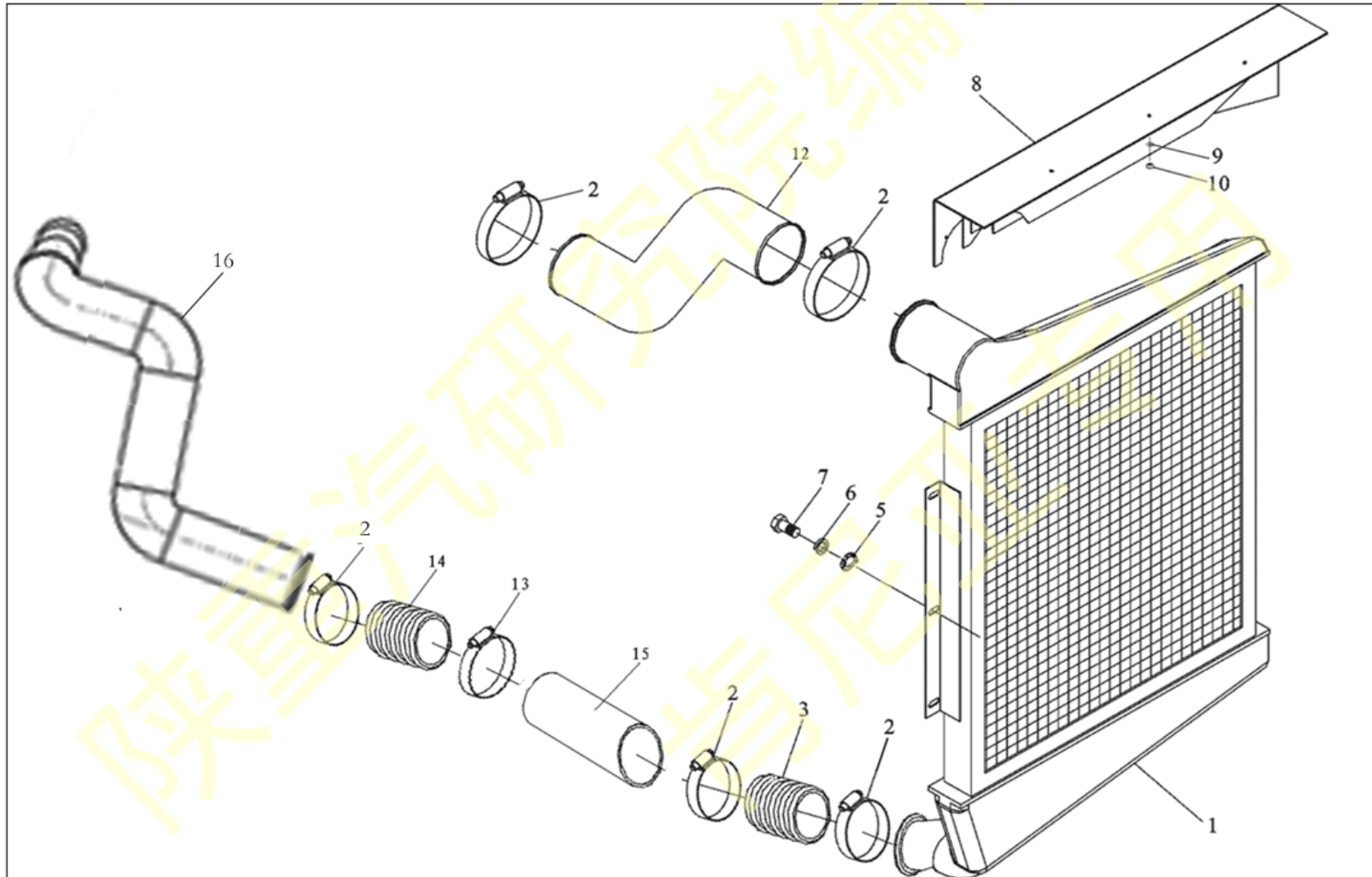
冷却系 COOLER SYSTEM



冷却系 COOLER SYSTEM

| 序号 NO | 件号 Part. No | 名称 Designation | Name | 数量 Quantity | 适用车型 Suited type | 备注 Remark |
|----------|----------------|-------------------|----------------------|----------------|---------------------|--------------|
| 12 | DZ93259534103 | 散热器出水管 | Drain pipe | 1 | | |
| | DZ93259534104 | 散热器出水管 | Drain pipe | 1 | | |
| 13 | DZ9112530158 | 水管夹 | Drain pipe Clip | 1 | | |
| | Q401B10 | 平垫圈 (镀锌) | Washer | 1 | | |
| | Q40310 | 弹簧垫圈 | Washer | 2 | | |
| | 190003932961 | 厚垫圈 | Washer | 2 | | |
| 14 | 199014540007 | 园形缓冲块 | Cyclo amortize piece | 1 | | |
| 15 | Q150B1025 | 六角头螺栓 | Hex screw | 1 | | |
| | Q33210T2F3 | 2 型全金属六角锁紧螺母 | Nut | 1 | | |
| 16 | DZ93259538004 | 角形支架 | support | 1 | | |
| 17 | 135700730118 | 间隔管 | Blank pipe | 1 | | |
| 18 | DZ93259535504 | 内氟外硅胶管 | Rubber hose | 1 | | |
| | DZ93259535324 | 内氟外硅胶管 | Rubber hose | 1 | DC93259530213 | |
| 19 | 190003989310 | 软管卡箍 | Clip | 6 | | |
| | Q67683 | B 型蜗杆传动式软管环箍 | Clip | 4 | DC93259530213 | |

中冷器 RADIATO

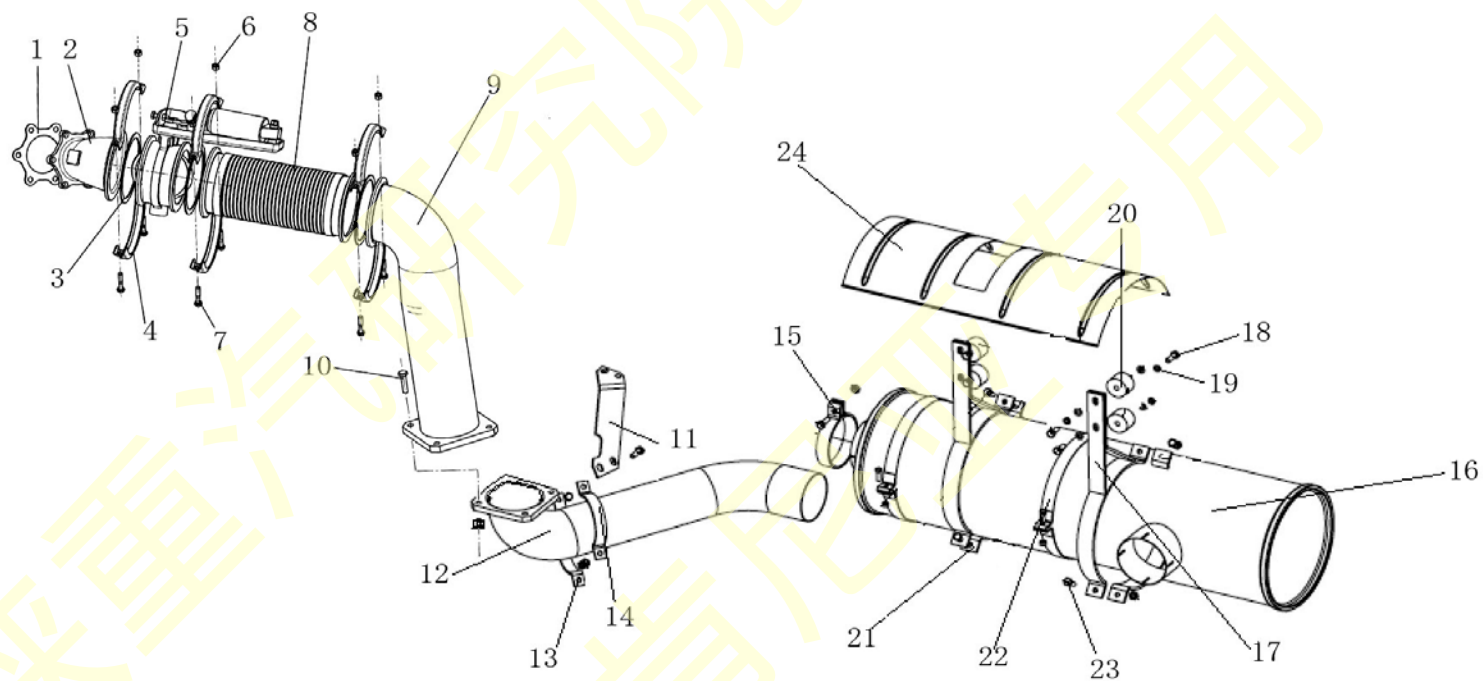


中冷器 RADIATO

| 序号 NO | 件号 Part. No | 名称 Designation | Name | 数量 Quantity | 适用车型 Suited type | 备注 Remark |
|----------|----------------|-------------------|-----------------------------------|----------------|---------------------|--------------|
| 1 | DZ9218530101 | 增压中冷器 | Radiator | 1 | | |
| | DZ9112530272 | 增压中冷器总成 | Radiator | 1 | DC93259530213 | |
| 2 | DZ91259538611 | T型卡箍 | Clip | 2 | | |
| | DZ97259533008 | 中冷管卡箍 | Clip | 2 | | |
| | DZ97259533009 | 中冷管卡箍 | Clip | 2 | | |
| 5 | Q40008 | 小垫圈 | Washer | 6 | | |
| 6 | Q41208 | 外锯齿锁紧垫圈 | Locking washer | 6 | | |
| 7 | Q150B0816 | 六角头螺栓 | Hex screw | 6 | | |
| 8 | DZ9114530236 | 止回流板总成 | anti-recirculation plate assembly | 1 | | |
| 9 | Q402B05 | 大垫圈 | Washer | 5 | | |
| 10 | Q340B05 | 1型六角螺母 | Nut | 3 | | |
| 12 | DZ93259535402 | 中冷器出气成型胶管 | Outlet pipe | 1 | | |
| 13 | DZ9003532115 | T型卡箍 | Clip | 6 | | |
| 14 | DZ93259535302 | 内氟外硅胶管 | Rubber hose | 2 | | |
| 15 | DZ9118532002 | 中冷器进气管 1 | Inlet pipe | 1 | | |
| | DZ93259534001 | 中冷器进气管 | Inlet pipe | 1 | DC93259530213 | |
| 16 | DZ9114537430 | 中冷器进气成型胶管 | Inlet pipe | 1 | | |
| | DZ93259535316 | 中冷器进气管 | Inlet pipe | 1 | DC93259530213 | |
| | DZ93259538037 | 中冷器进气管固定支架 | Support | 1 | | |
| | Q150B0830T1F3 | 六角头螺栓 | Hex screw | 5 | | |
| | Q150B1090Q | 六角头螺栓 (镀锌) | Hex screw | 1 | | |
| | Q150B0875 | 六角头螺栓 (镀锌) | Hex screw | 1 | | |
| | Q150B1080 | 六角头螺栓 (镀锌) | Hex screw | 1 | | |
| | Q150B1014 | 六角头螺栓 (镀锌) | Hex screw | 1 | | |
| | Q401B08 | 平垫圈 (镀锌) | Washer | 6 | | |

排气系统 Exhaust system

6*4 德龙自卸车 WD12 发动机排气消声器系统

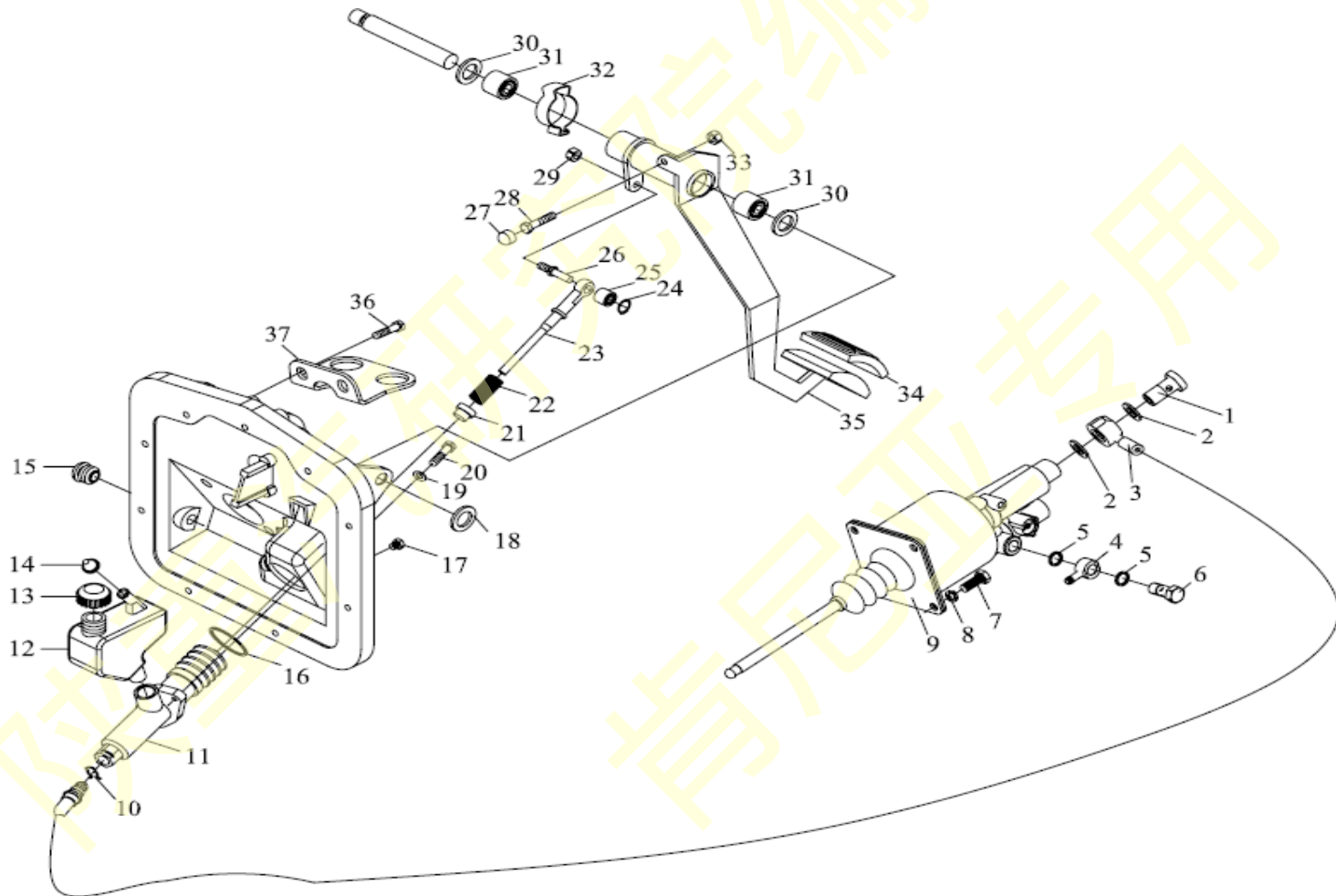


6*4 德龙自卸车 WD12 发动机排气消声器系统

| 序号 NO | 件号 Part.No | 名称 Designation | Name | 数量 Quantity | 适用车型 Suited type | 备注 Remark |
|----------|---------------|-------------------|----------------------------|----------------|---------------------|--------------|
| 1 | 199112540015 | 密封垫 | Gasket | 1 | 6×4 德龙自卸车 | |
| 2 | DZ93259540421 | 排气管总成 1 | Exhausting pipe assy | 1 | | |
| 3 | DZ9112540017 | 密封垫 | Gasket | 3 | | |
| 4 | DZ9112540001 | 卡箍 | Clip | 6 | | |
| 5 | DZ9100189018 | 发动机排气制动器总成 | Valve | 1 | | |
| 6 | Q33208 | 2 型全金属六角锁紧螺母 | Hex nut | 6 | | |
| 7 | Q150B0845 | 六角头螺栓 | Hex screw | 6 | | |
| 8 | DZ9112540058 | 挠性软管 | Hose | 1 | | |
| 9 | DZ93259540095 | 排气管总成 | Exhausting pipe assy | 4 | | |
| 10 | Q150B1045 | 六角头螺栓 | Hex screw | 8 | | |
| 11 | 199112540476 | 角板 | Angle plate | 1 | | |
| 12 | DZ9112541002 | 排气管总成 2 | Exhausting pipe assy | 1 | | |
| 13 | DZ9118540313 | 卡箍 | Clip | 1 | | |
| 14 | DZ9118540319 | 卡箍 | Clip | 1 | | |
| 15 | DZ9114540316 | 管夹 | Pipe clip | 2 | | |
| 16 | DZ9100540009 | 排气消声器 | Muffler | 1 | | |
| 17 | DZ9114540130 | 托架总成 | Bracket | 2 | | |
| 18 | Q150B1030 | 六角头螺栓 | Hex.screw | 5 | | |
| 19 | Q40310 | 弹簧垫圈 | Spring washer | 4 | | |
| 20 | 1384D0410007 | 橡胶金属软垫 | Pad | 4 | | |
| 21 | DZ9114540061 | 卡箍 | Clip | 2 | | |
| 22 | DZ9114540064 | 紧固带总成 | Fastening strap assembly | 1 | | |
| 23 | Q150B1022 | 六角头螺栓 | Hex.screw | 4 | | |
| 24 | DZ9114540140 | 隔热板总成 | Heat insulation plate assy | 1 | | |

离合器操纵 Cluth manipulating

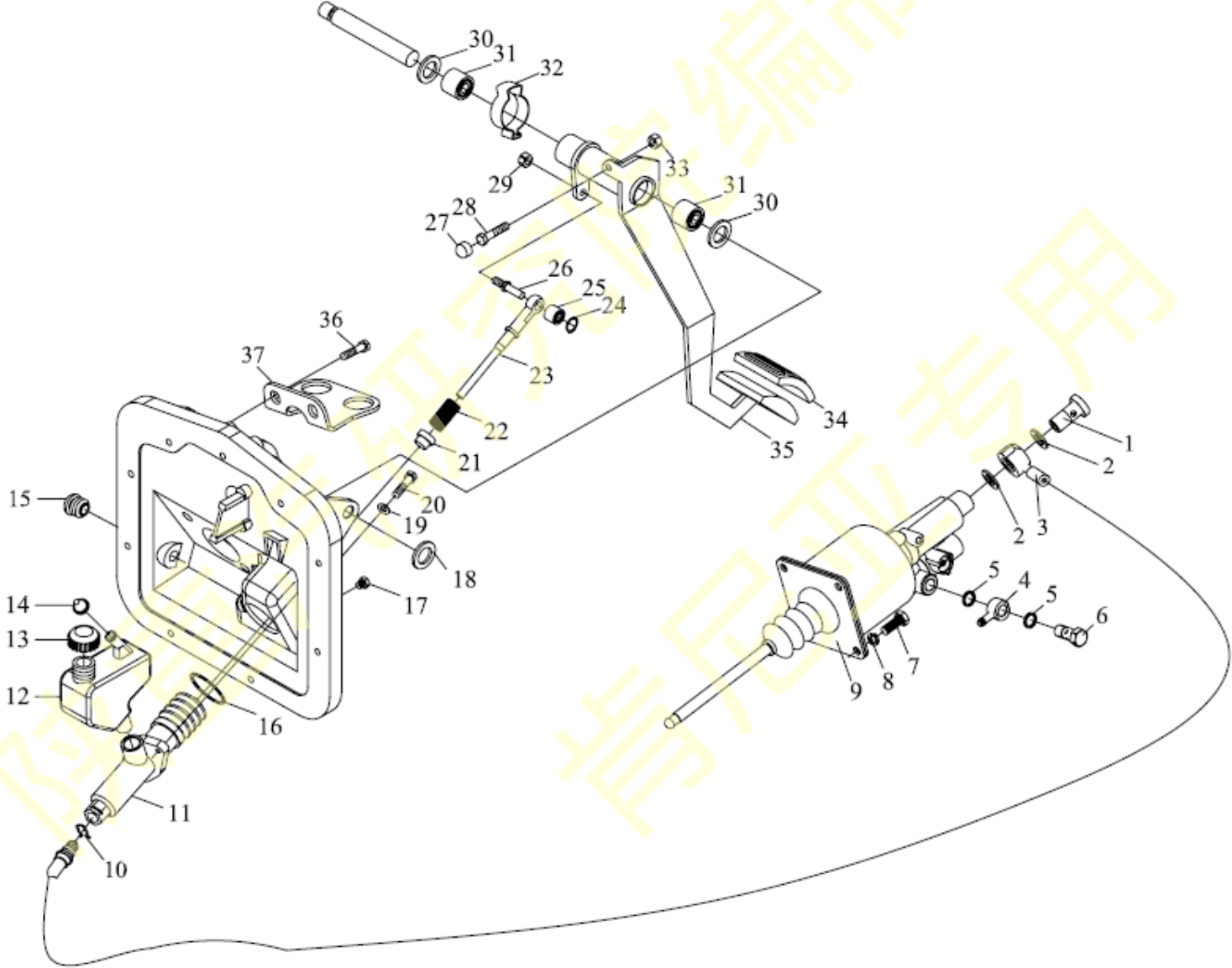
拉式离合器操纵装置 PULL CLUTCH CONTROL DEVICE



拉式离合器操纵装置 PULL CLUTCH CONTROL DEVICE

| 序号 NO | 件号 Part.No | 名称 Designation | Name | 数量 Quantity | 适用车型 Suited type | 备注 Remark |
|----------|---------------|-------------------|----------------------|----------------|---------------------|--------------|
| 1 | 190003962621 | 空心螺栓 | Holbw bolt | 1 | | |
| 2 | Q72314 T5F | 密封垫圈 | Gasket | 2 | | |
| 3 | DZ93259230420 | 油管 | Hose | 1 | | |
| 4 | 199100270119 | 软管接头 | Hose plug | 1 | | |
| 5 | Q72316 T5F | 密封垫圈 | Gasket | 2 | | |
| 6 | 190003962627 | 空心螺栓 | Holbw bolt | 1 | | |
| 7 | Q150B1020 | 六角头螺栓 | Hex.Screw | 4 | | |
| 8 | Q40310 | 弹簧垫圈 | Spring washer | 4 | | |
| 9 | DZ9112230181 | 离合器分泵 | Operating cylinder | 1 | | |
| 10 | DZ9112230212 | 卡环 | Spring | 2 | | |
| 11 | DZ9114230022 | 离合器液压总泵 | Clutch main cylinder | 1 | | |
| 12 | DZ9114230021 | 贮液罐 | Liquid container | 1 | | |
| 13 | DZ93189230010 | 锁盖总成 | Lockcover assembly | 1 | | |
| 14 | 81.96410.0197 | 密封圈 | Seal ring | 1 | | |
| 15 | 81.96002.0130 | 密封堵 | Plug | 2 | | |
| 16 | 06.56930.1973 | 复曲面密封件 | Toric seal | 1 | | |
| 17 | 81.96002.0384 | 螺塞 | Plug | 1 | | |
| 18 | 06.29050.0116 | 垫圈 | Lockwasher | 1 | | |
| 19 | 06.15013.0411 | 垫圈 | Washer | 2 | | |
| 20 | 06.01283.3113 | 六角头螺栓 | Hex. screw | 2 | | |
| 21 | 81.97680.0019 | 弹簧座 | Spring seat | 1 | | |
| 22 | 06.46081.6338 | 压缩弹簧 | Pressure spring | 1 | | |
| 23 | 81.91020.0610 | 挺杆 | Tappet | 1 | | |
| 24 | 06.29050.0111 | 挡圈 | Circlip | 1 | | |

拉式离合器操纵装置 PULL CLUTCH CONTROL DEVICE

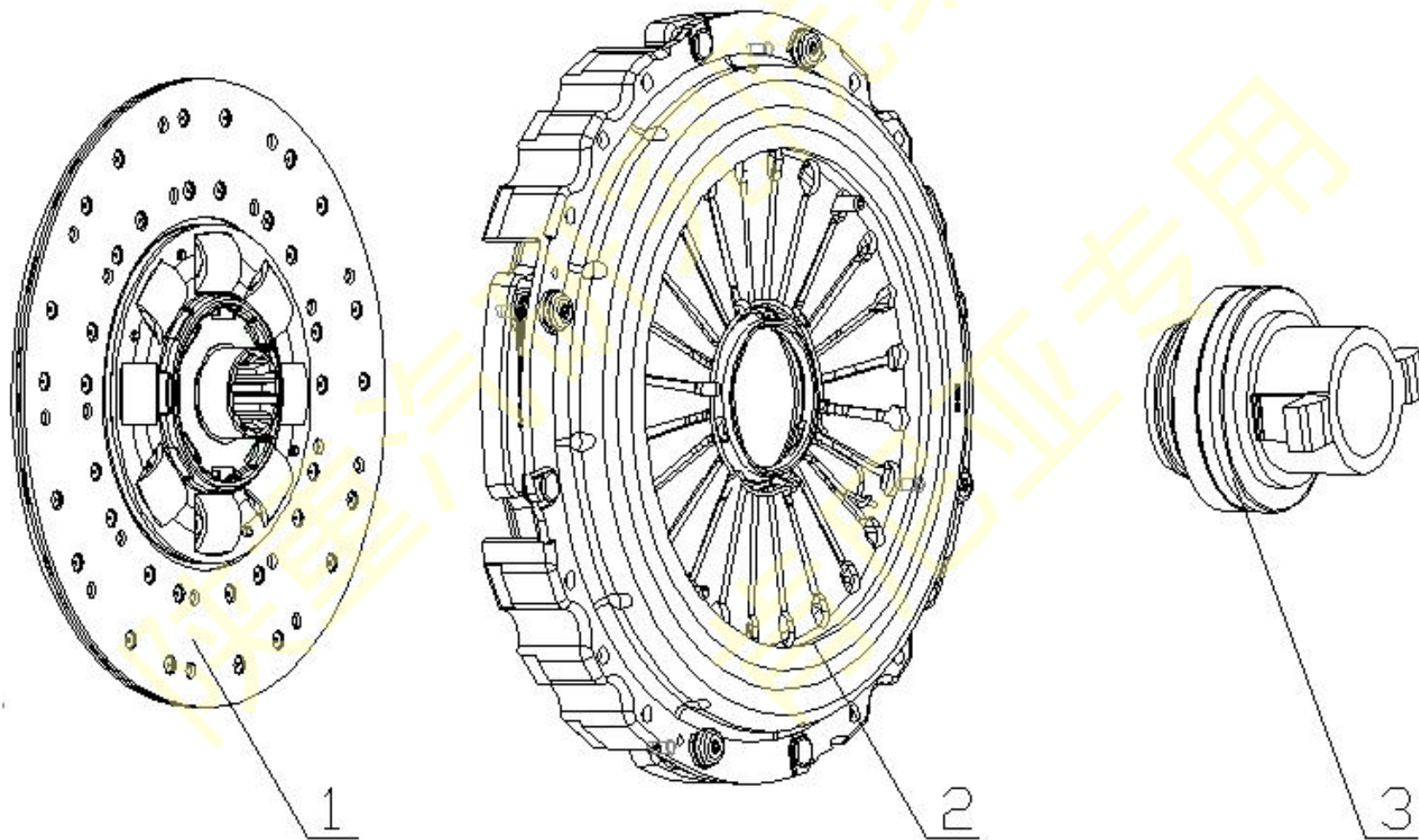


拉式离合器操纵装置 PULL CLUTCH CONTROL DEVICE

| 序号 NO | 件号 Part.No | 名称 Designation | Name | 数量 Quantity | 适用机型 Suited type | 备注 Remark |
|----------|---------------|-------------------|-----------------------|----------------|---------------------|--------------|
| 25 | 06.33719.0018 | 滚针轴承 | Needle bearing | 1 | | |
| 26 | 81.91020.0611 | 螺纹销 | Threaded pin | 1 | | |
| 27 | 81.96020.0369 | 橡胶垫 | Rubber pad | 1 | | |
| 28 | 06.01283.3115 | 六角头螺栓 | Hex. screw | 1 | | |
| 29 | 06.11240.0406 | 六角锁紧螺母 | Hex. lock nut | 1 | | |
| 30 | 06.15114.0418 | 调整垫圈 | Adjusting washer | 2 | | |
| 31 | 06.33719.0005 | 滚针轴承 | Needle bearing | 2 | | |
| 32 | 81.97640.0273 | 弹簧夹子 | Spring clamp | 3 | | |
| 33 | 06.11064.2114 | 六角螺母 | Hex. nut | 1 | | |
| 34 | 81.48227.0006 | 踏板防尘罩 | Pedal covering | 1 | | |
| 35 | 81.48225.5118 | 离合器踏板总成 | Clutch pedal assembly | 1 | | |
| 36 | 06.07069.0007 | 自锁螺栓 M8*16 | Hex. lock screw | 2 | | |
| 37 | 81.48240.0327 | 传感器支架 | Sensor bracket | 1 | | |

离合器总成 Clutch assembly

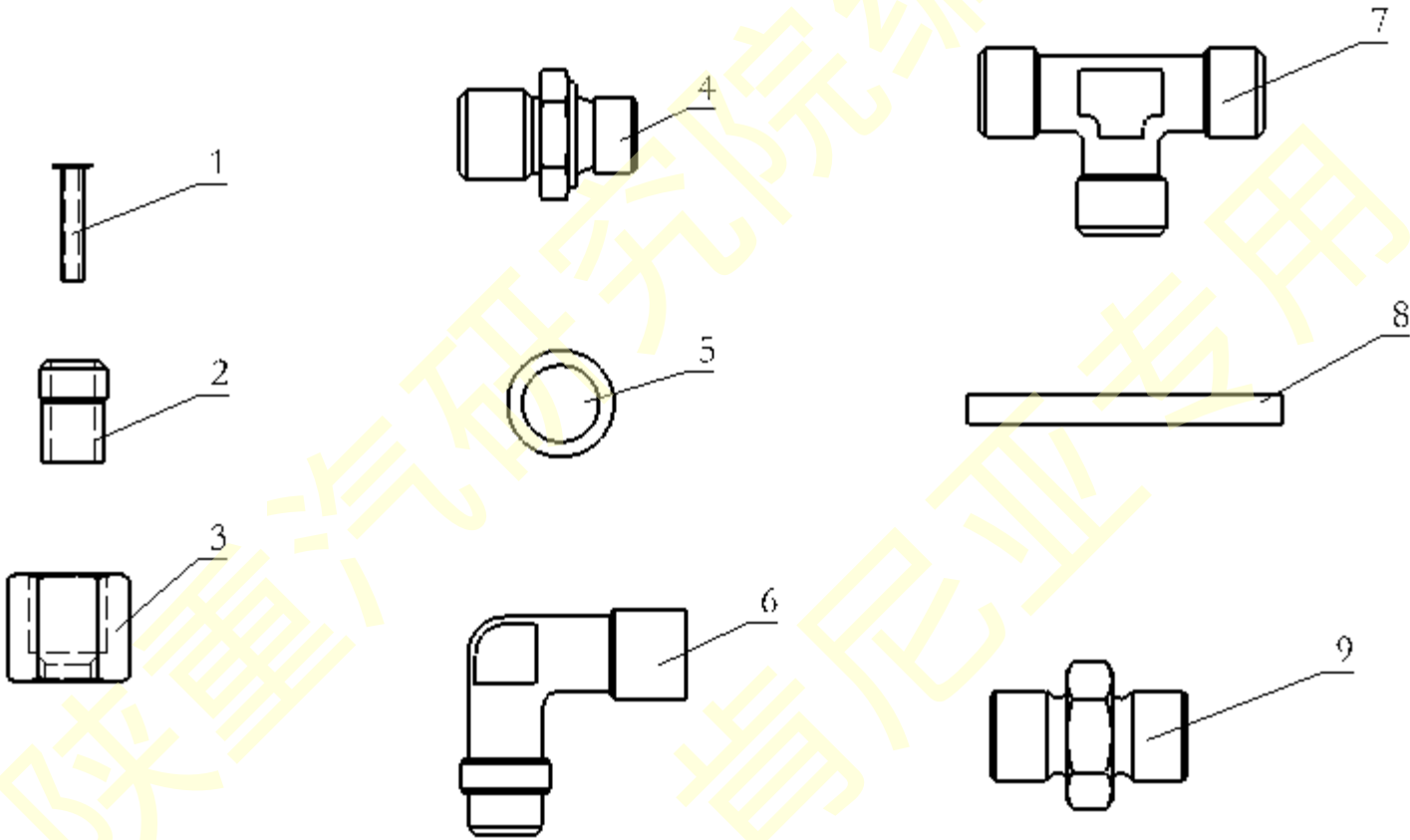
Φ430 拉式膜片弹簧离合器 PULL DIAPHRAGM CLUTCH



Φ430 拉式膜片弹簧离合器 PULL DIAPHRAGM CLUTCH

| 序号 NO | 件号 Part.No | 名称 Designation | Name | 数量 Quantity | 适用机型 Suited type | 备注 Remark |
|----------|---------------|-------------------|-----------------|----------------|---------------------|--------------|
| 1 | DZ91189160152 | 从动盘总成 | Clutch disc | 1 | | |
| 2 | DZ91189160151 | 离合盖总成 | Clutch cover | 1 | | |
| 3 | DZ9114160035 | 分离轴承 | Release bearing | 1 | | |

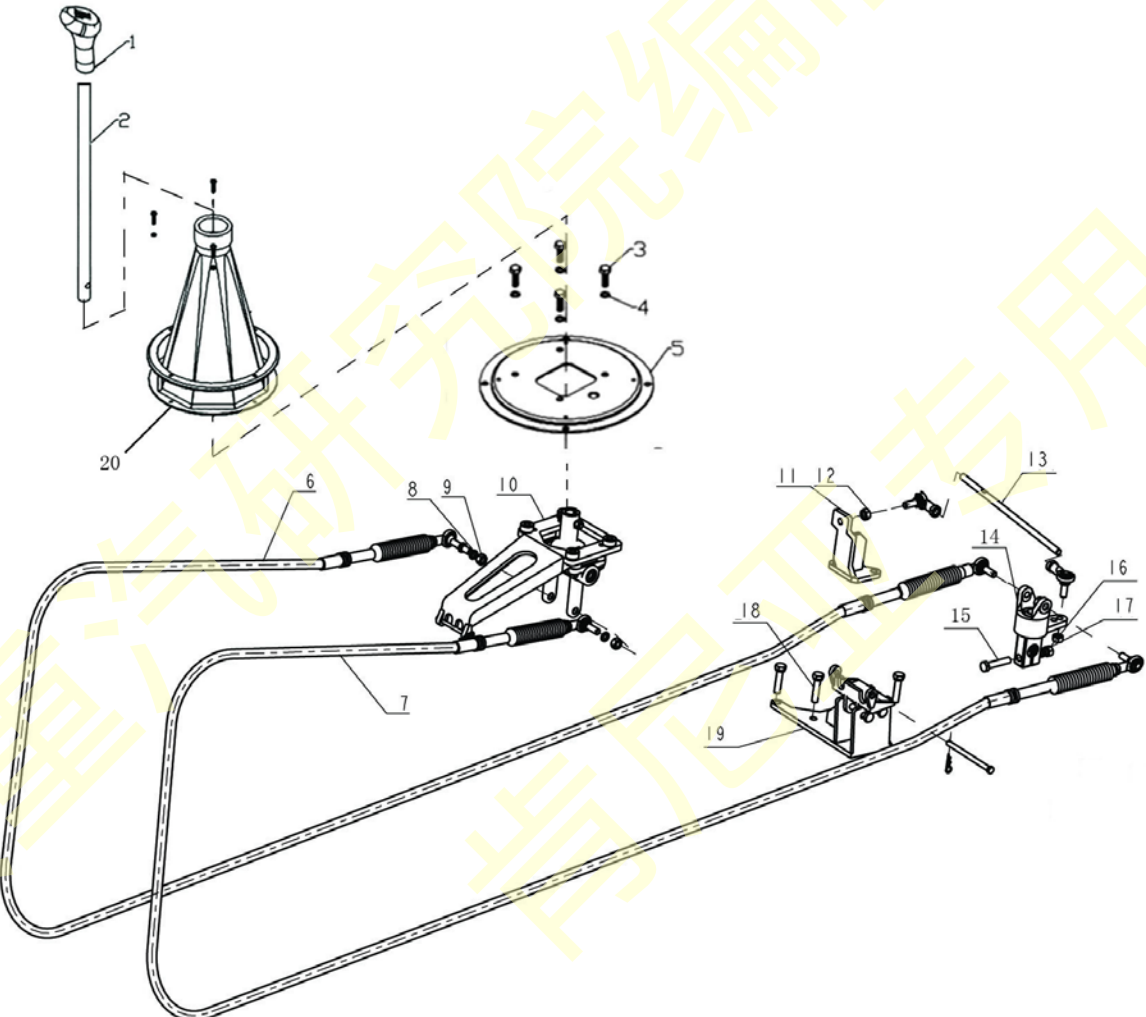
取力器操纵



取力器操纵

| 序号 NO | 件号 Part.No | 名称 Designation | Name | 数量 Quantity | 适用车型 Suited type | 备注 Remark |
|----------|---------------|---------------------------|---------------|----------------|---------------------|--------------|
| 1 | 199014280016 | 衬套 | Bushing | 7 | | |
| 2 | 190003559561 | 卡套 | Bushing | 9 | | |
| 3 | 190003559516 | 管接头用螺母 | Nuts | 9 | | |
| 4 | DZ9100360425 | 端直通接头体 | Connector | 1 | | |
| 5 | Q72310T5F | 密封垫圈 | Sealing ring | 1 | | |
| | Q72312T5F | 密封垫圈 | Sealing ring | 4 | | |
| 6 | 190003559496 | 卡套式锥端直角接头体 | Connector | 1 | | |
| 7 | 190003559482 | 卡套式三通管接头 | Tee connector | 1 | | |
| 8 | 190003179782 | 聚酰胺管 PA11-6×1 QC/T80-1993 | Tube | 2.4 米 | | |
| 9 | 190003559766 | 卡套式直通管接头 | Connector | 4 | | |

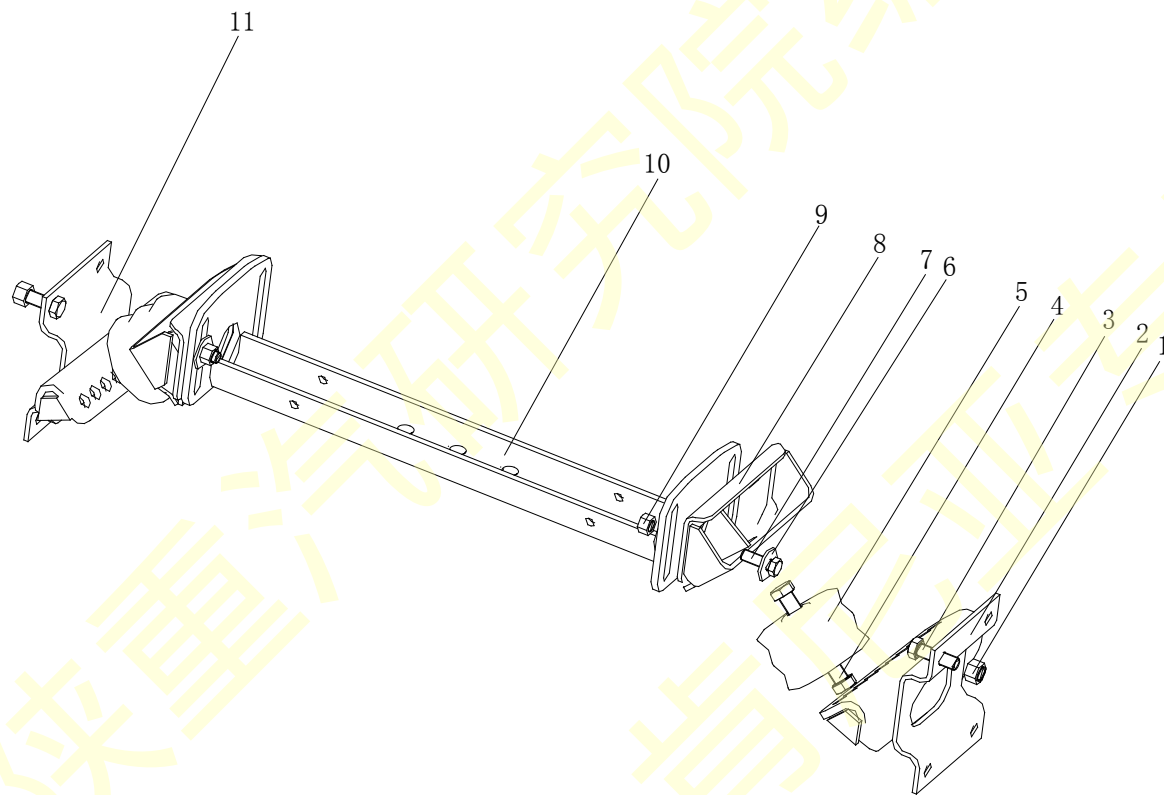
变速器操纵装置 SHIFTING DEVECE



变速器操纵装置 SHIFTING DEVECE

| 序号 NO | 件号 Part.No | 名称 Designation | | 数量 Quantity | 备注 Remark |
|----------|---------------|-------------------|----------------|----------------|--------------|
| 1 | DZ9114240556 | 9 档换挡手柄总成 | Shift lever | 1 | |
| 2 | DZ95259240345 | 操纵杆 | Control rod | 1 | |
| 3 | Q150B0830 | 六角头螺栓 | Hex lock screw | 4 | |
| 4 | Q40308 | 弹簧垫圈 | Spring Washer | 4 | |
| 5 | DZ96259240327 | 驾驶室固定板 | Fixed plate | 1 | |
| 6 | DZ96259240321 | 选档软轴总成 | Shaft | 1 | |
| 7 | DZ96259240326 | 换挡软轴总成 | Shaft | 1 | |
| 8 | Q40310 | 弹簧垫圈 | Spring Washer | 4 | |
| 9 | Q340B10 | 六角螺母 | Hex nut | 4 | |
| 10 | DZ95259240341 | 操纵器总成 | Control lever | 1 | |
| 11 | DZ96259240323 | 连接杆支架 | Shaft | 1 | |
| 12 | Q340B10 | 六角螺母 | Nut | 1 | |
| 13 | DZ96259240324 | 连接杆总成 | Shaft | 1 | |
| 14 | DZ96259240320 | E 型转换机构 | E shift | 1 | |
| 15 | Q150B1050 | 六角头螺栓 | Bolt | 1 | |
| 16 | Q40310 | 弹簧垫圈 | Gasket | 1 | |
| 17 | Q340B10 | 六角螺母 | Nut | 1 | |
| 18 | Q150B1050 | 六角头螺栓 | Bolt | 1 | |
| 19 | DZ96259240325 | 软轴支架总成 | Bracket | 1 | |
| 20 | DZ9114240544 | 防尘罩压板 | board | 1 | |

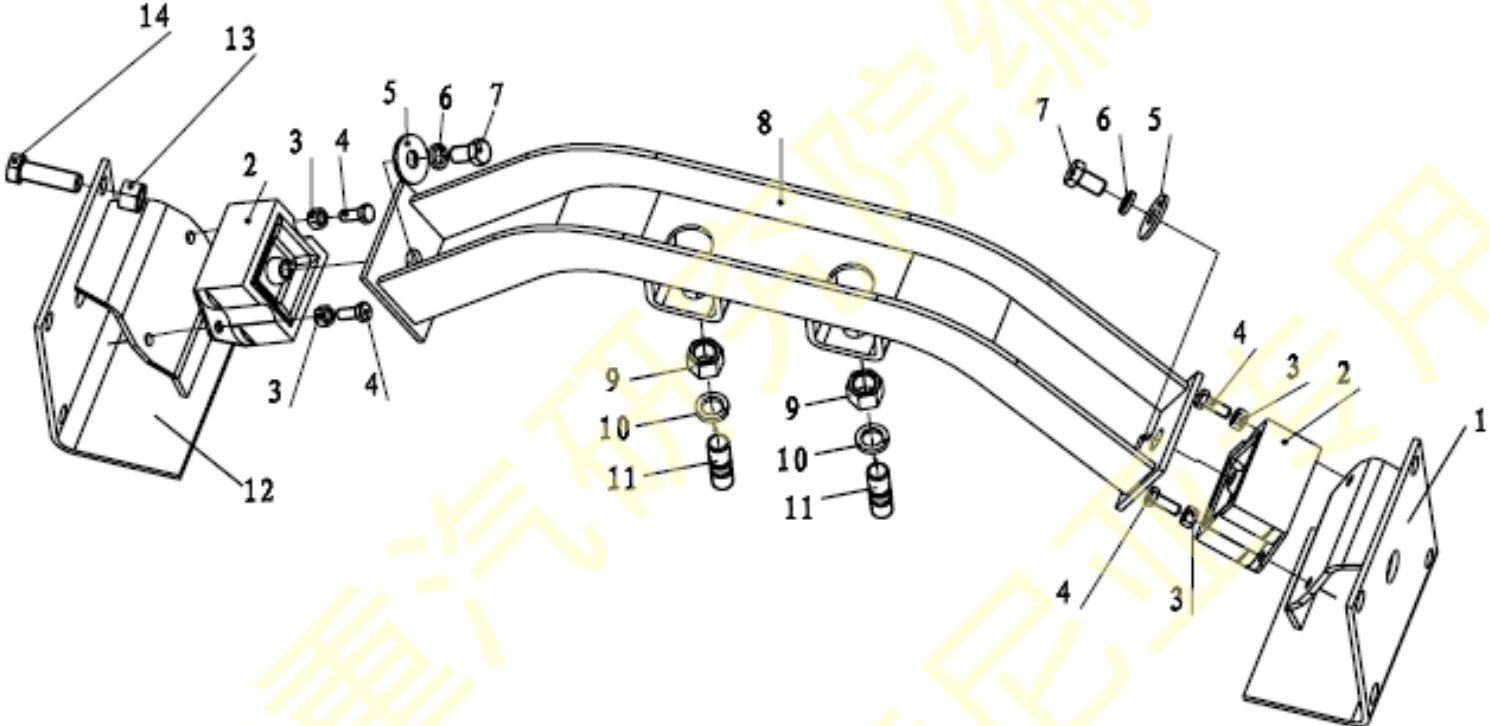
变速箱悬置 GEAR BOX SUPPORT



变速箱悬置 GEAR BOX SUPPORT

| 序号 NO | 件号 Part.No | 名称 Designation | Name | 数量 Quantity | 适用车型 Suited type | 备注 Remark |
|----------|---------------|-------------------|-------------------|----------------|---------------------|--------------|
| 1 | Q33214 | 2 型全金属六角缩紧螺母 | Hex lock nut | 8 | | |
| 2 | DZ9114598695 | 左托架总成 | Left bracket | 1 | | |
| 3 | Q151B1450 | 六角头螺栓 | Hex lock screw | 8 | | M14*1.5*35 |
| 4 | Q151B1455 | 六角头螺栓 | Hex lock screw | 4 | | M16*1.5*20 |
| 5 | 168000590095 | 橡胶-金属支撑 | Rubber pad | 2 | | |
| 6 | 1480A0360058 | 垫圈 | Washer | 8 | | |
| 7 | Q150B0820 | 六角头螺栓 | Hex lock screw | 4 | | M12*1.5*35 |
| 8 | 81.41506.5269 | 托架 | Support bracket | 2 | | |
| 9 | Q33212 | 2 型全金属六角缩紧螺母 | Hex lock nut | 4 | | |
| 10 | AZ9112590099 | 横梁总成 | Cross member assy | 2 | | |
| 11 | DZ9114598696 | 右托架总成 | Right bracket | 1 | | |

变速箱悬置 (GEAR BOX SUPPORT)

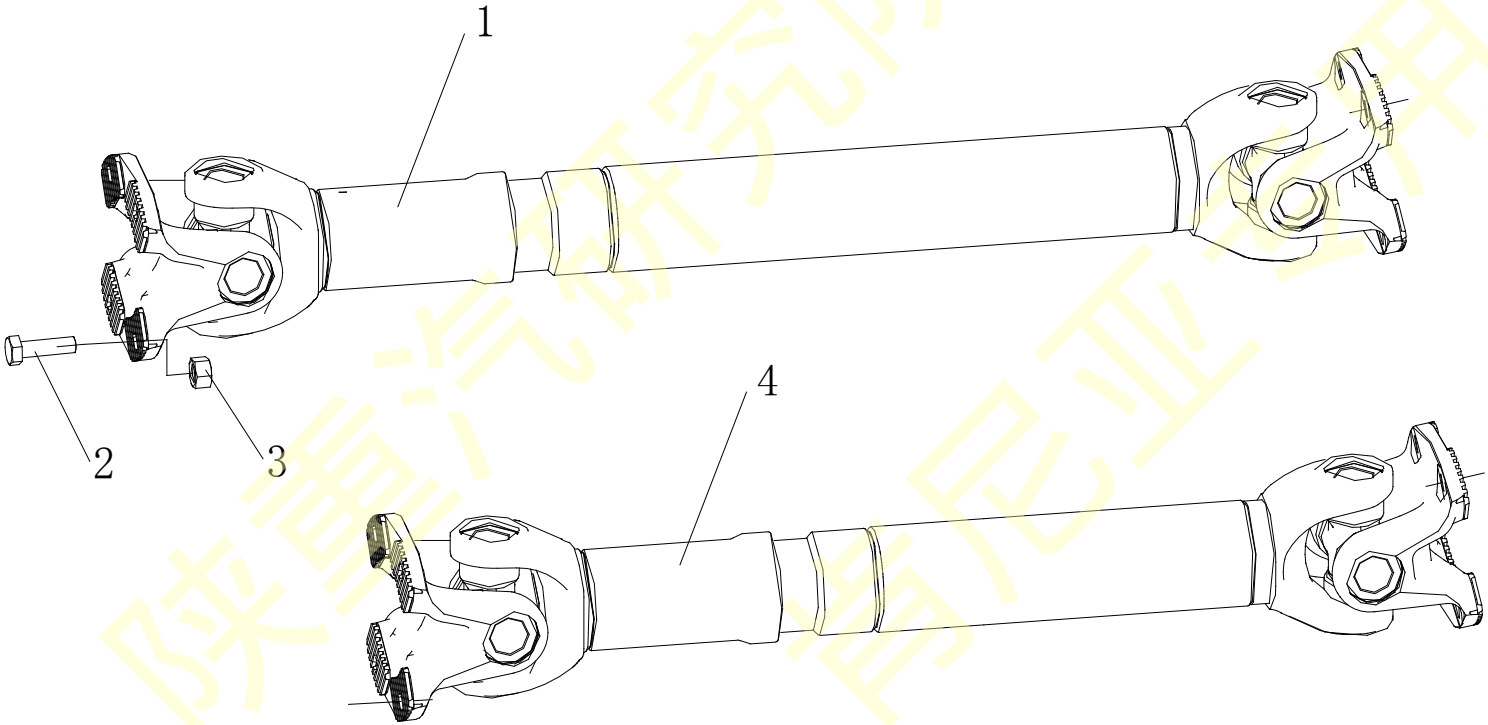


变速箱悬置 (GEAR BOX SUPPORT)

| 序号 NO | 件号 Part.No | 名称 Designation | Name | 数量 Quantity | 适用车型 Suited type | 备注 Remark |
|----------|---------------|-------------------|-------------------------|----------------|---------------------|--------------|
| 1 | DZ9114598695 | 左托架总成 | Left bracket | 1 | | |
| 2 | 168000590095 | 发动机前支承 (橡胶—金属支承) | Dunnage Hex lock nut | 2 | | |
| 3 | Q33214 | 2 型全金属六角锁紧螺母 | Hex lock screw | 4 | | |
| 4 | Q151B1450 | 六角头螺栓 | Hex lock screw | 4 | | |
| 5 | 1480A0360058 | 大垫圈 | Washer | 2 | | |
| 6 | Q40312 | 弹簧垫圈 | Washer | 2 | | |
| 7 | Q150B1220 | 六角头螺栓 | Cross member assy | 2 | | |
| 8 | AZ9112590099 | 横梁总成 | Rubber pad | 1 | | |
| 9 | Q40312 | 弹簧垫圈 | Washer | 2 | | |
| 10 | Q40316 | 弹簧垫圈 | Washer | 2 | | |
| 11 | Q341B16 | 1 型六角螺母 | Hex lock nut | 2 | | |
| 12 | DZ9114598696 | 右托架总成 | Right bracke | 1 | | |
| 13 | Q33208 | 2 型全金属六角锁紧螺母 | Hex lock nut | 4 | | |
| 14 | Q150B1455 | 六角头螺栓 | Hex lock screw | 4 | | |

传动轴 Transmisson shaft

传动轴总成 PROPELLER SHAFT

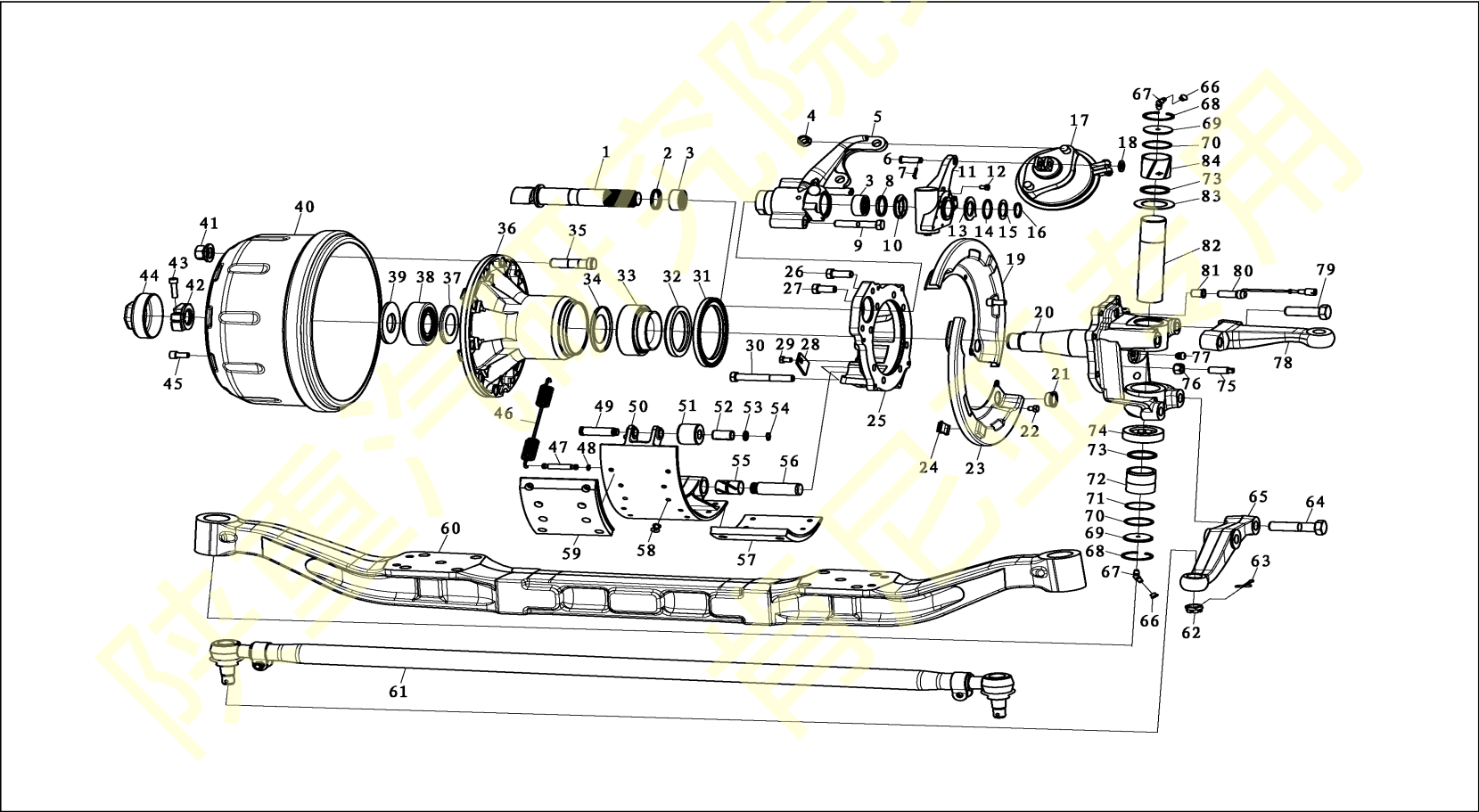


传动轴总成 PROPELLER SHAFT

| 序号 NO | 件号 Part.No | 名称 Designation | Name | 数量 Quantity | 适用车型 Suited type | 备注 Remark |
|----------|---------------|-------------------|--------------------|----------------|---------------------|--------------|
| 1 | DZ9114315188 | 传动轴 | Transmission shaft | 1 | | |
| 2 | Q151B1455TF2 | 六角头螺栓 | Hex head bolt | 16 | | |
| 3 | 190003888620 | 自锁螺母 | Self-locking nuts | 16 | | |
| 4 | DZ9114312072 | 传动轴 | Transmission shaft | 1 | | |

前轴 Front axle

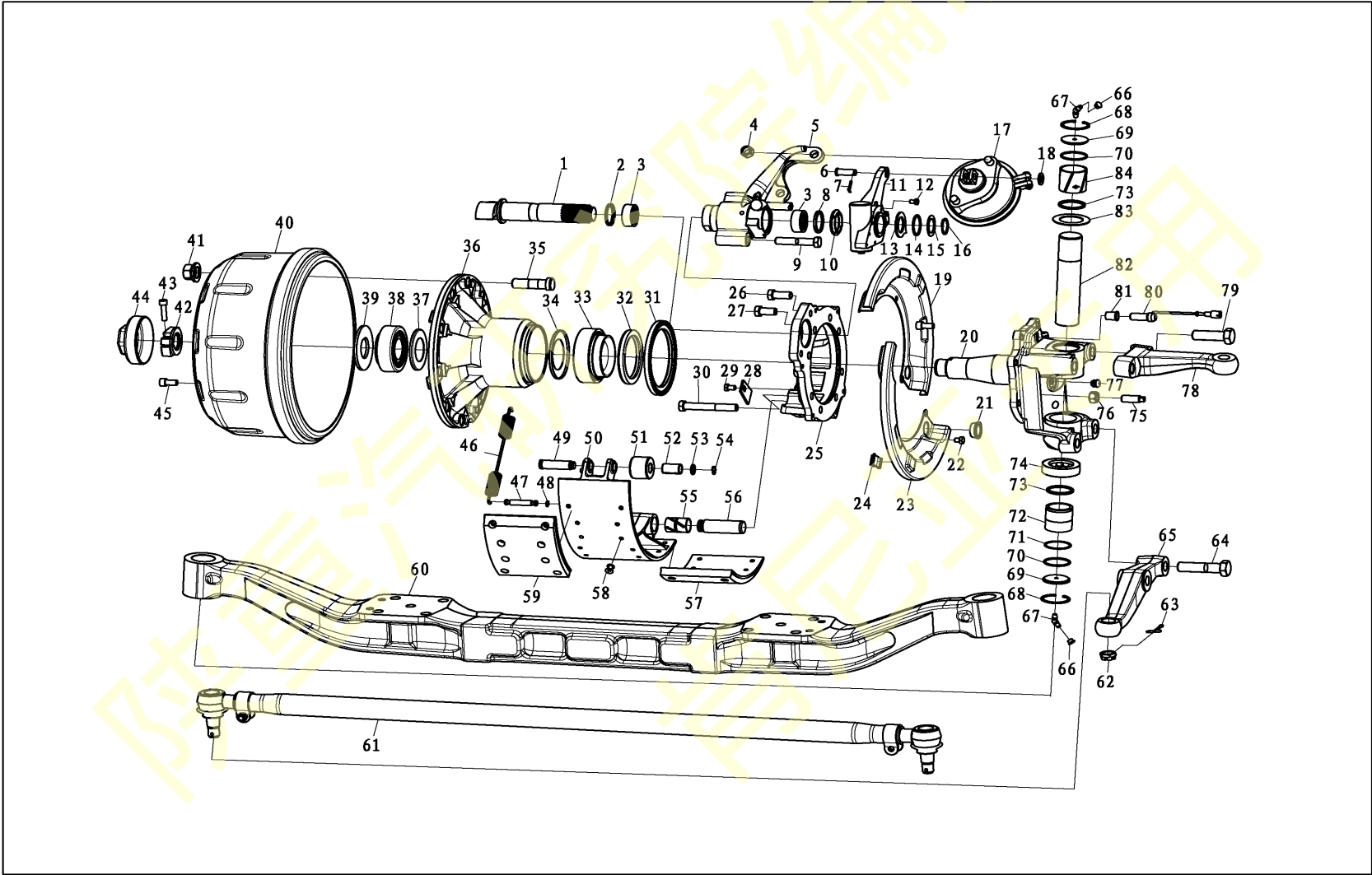
MAN7.5 吨鼓式转向轴



MAN7.5 吨鼓式转向轴

| 序号 NO | 件号 Part.No | 名称 Designation | Name | 数量 Quantity | 适用车型 Suited type | 备注 Remark | | | | | | | | | | | | |
|----------|---------------|-------------------|-----------------------------|----------------|---------------------|--------------|--------|--|--------|--|--------|--|-----------|--|--|--|--|--|
| 1 | 81.50301.0223 | 制动凸轮轴 (左) | Brake camshaft (left) | 1 | | | | | | | | | | | | | | |
| | 81.50301.0224 | 制动凸轮轴 (右) | Brake camshaft (right) | 1 | | | | | | | | | | | | | | |
| 2 | 81.96502.6040 | 轴密封圈 | Axle packing ring | 2 | | | 用于非简约化 | | | | | | | | | | | |
| 3 | 81.93404.6005 | 滚针轴承 | Quill roller | 4 | | | 用于非简约化 | | | | | | | | | | | |
| 4 | Q341B16F6 | 六角头螺母 | Hex nut | 4 | | | | | | | | | | | | | | |
| | Q40516F6 | 重型弹簧垫圈 | | 4 | | | | | | | | | | | | | | |
| 5 | 81.50310.0313 | 分泵支架(左) | Air-chamber bearer (left) | 1 | | | | | 用于非简约化 | | | | | | | | | |
| | 81.50310.0312 | 分泵支架(右) | Air-chamber bearer (right) | 1 | | | | | 用于非简约化 | | | | | | | | | |
| 6 | 06.21569.0077 | 销 轴 | Pin axle | 2 | | | | | | | | | | | | | | |
| 7 | Q5004025 | 开口销 | Cotter pin | 2 | | | | | | | | | | | | | | |
| 8 | 81.96502.6039 | 轴密封圈 | Axle packing ring | 2 | | | | | | | 用于非简约化 | | | | | | | |
| 9 | Q151B1690TF2 | 六角头螺栓 | Hex bolt | 4 | | | | | | | | | | | | | | |
| 10 | 81.91710.0163 | 隔套 | Bushing | 2 | | | | | | | | | | | | | | |
| 11 | 81.50610.6231 | 自动间隙调整臂 | Automatic gap adjusting arm | 2 | | | | | | | | | 用于自动间隙调整臂 | | | | | |
| 12 | Q150B0812 | 六角头螺栓 | Hex bolt | 2 | | | | | | | | | 用于自动间隙调整臂 | | | | | |
| 13 | 81.90711.0714 | 指示片 | Indicating plate | 2 | | | | | | | | | | | | | | |
| 14 | 81.90711.0705 | 调整垫片 | Brake shoe adjusting washer | 按需 | | | | | | | | | | | | | | |
| | 81.90711.0706 | 调整垫片 | Brake shoe adjusting washer | 按需 | | | | | | | | | | | | | | |
| 15 | 81.90711.0707 | 调整垫片 | Brake shoe adjusting washer | 按需 | | | | | | | | | | | | | | |
| 16 | 81.90701.0769 | 垫片 | Washer | 2 | | | | | | | | | | | | | | |
| 17 | Q43134 | 轴用弹性挡圈 | Circlip for axle | 2 | | | | | | | | | | | | | | |
| 18 | 81.51101.6264 | 制动气室(左) | Brake air-chamber (left) | 1 | | | | | | | | | | | | | | |
| | 81.51101.6265 | 制动气室(右) | Brake air-chamber (right) | 1 | | | | | | | | | | | | | | |
| 19 | Q40114 | 垫圈 | Washer | 2 | | | | | | | | | | | | | | |
| 20 | 81.50101.0224 | 防尘罩 (右) | Prevented dust cap (right) | 2 | | | | | | | | | | | | | | |

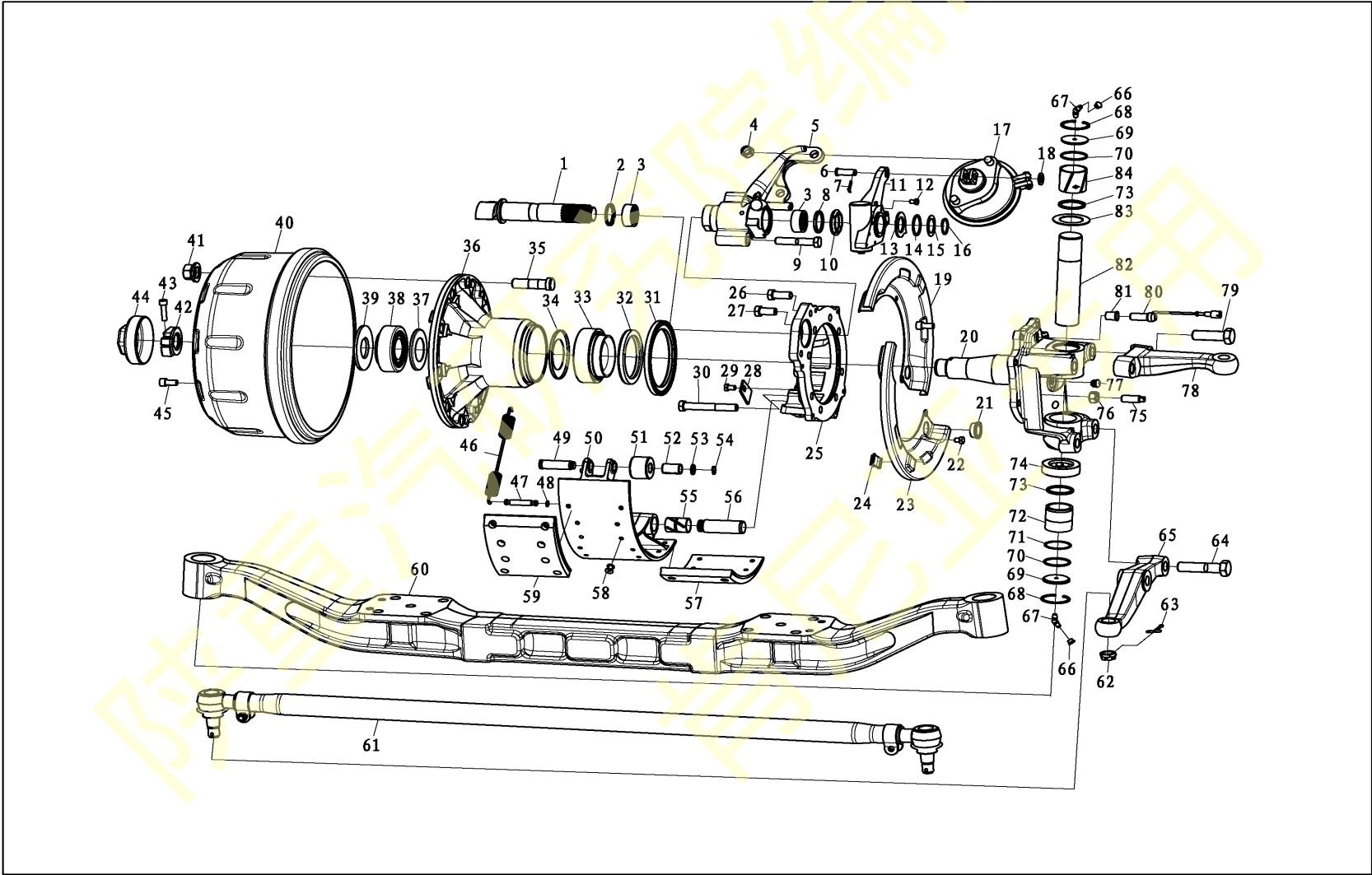
MAN7.5 吨鼓式转向轴



MAN7.5 吨鼓式转向轴

| 序号 NO | 件号 Part.No | 名称 Designation | Name | 数量 Quantity | 适用车型 Suited type | 备注 Remark |
|----------|---------------|-------------------|----------------------------------|----------------|---------------------|----------------------------|
| 21 | 81.44201.0143 | 转向节 | Steering knuckle | 2 | | |
| 22 | 81.96002.0098 | 密封堵 | Packing hulkhead | 4 | | |
| 23 | Q150B1012 | 六角头螺栓 | Hex bolt | 12 | | |
| 24 | 81.50101.0223 | 防尘罩 (左) | Prevented dust cap (left) | 2 | | |
| 25 | 81.96002.0075 | 密封堵 | Packing hulkhead | 4 | | |
| 26 | 81.50202.0108 | 制动底板 | Brake floor | 2 | | |
| 27 | Q151B1640TF2 | 六角头螺栓 | Hex bolt | 8 | | |
| 28 | Q151B1635TF2 | 六角头螺栓 | Hex bolt | 4 | | |
| 29 | 81.90801.0225 | 护板 | Protection block | 2 | | |
| 30 | Q184A1018TF2 | 六角法兰面螺栓 | Hex flange surfaces bolt | 2 | | |
| 31 | Q151B16120TF2 | 六角头螺栓 | Hex bolt | 4 | | |
| 32 | 81.52403.0008 | ABS 脉冲齿圈 | ABS pulse gear ring | 2 | | 用于带 ABS, 单前轴及双前轴 II 轴带 ABS |
| | 81.96502.6045 | 轴密封圈 | Packing ring for axle | 2 | | |
| 33 | 81.93420.0074 | 圆锥滚子轴承 | Radial- row-steep roller bearing | 2 | | |
| 34 | HD90009410004 | 挡油罩 | Oil baffle cover | 2 | | |
| 35 | 81.45501.0102 | 车轮螺栓 | Wheel bolt | 20 | | |
| 36 | HD90009410040 | 前轮毂 | Front wheel hub | 2 | | |
| 37 | HD90009410005 | 挡油罩 | Oil baffle cover | 2 | | |
| 38 | HD95009410007 | 圆锥滚子轴承 | Radial- row-steep roller bearing | 2 | | |
| 39 | 81.44215.0016 | 止推垫圈 | Stop washer | 2 | | |
| 40 | 81.50110.0232 | 制动鼓 | Brake drum | 2 | | |
| 41 | 190003884160 | 车轮螺母 | Wheel nut | 20 | | |
| 42 | 81.92901.0066 | 锁紧螺母 | Nut | 2 | | |
| 43 | Q218B1040TF2 | 内六角圆柱头螺钉 | Hex cylinder screw | 2 | | |
| 44 | 81.44312.0009 | 轮毂帽 | Wheel hub cap | 2 | | |

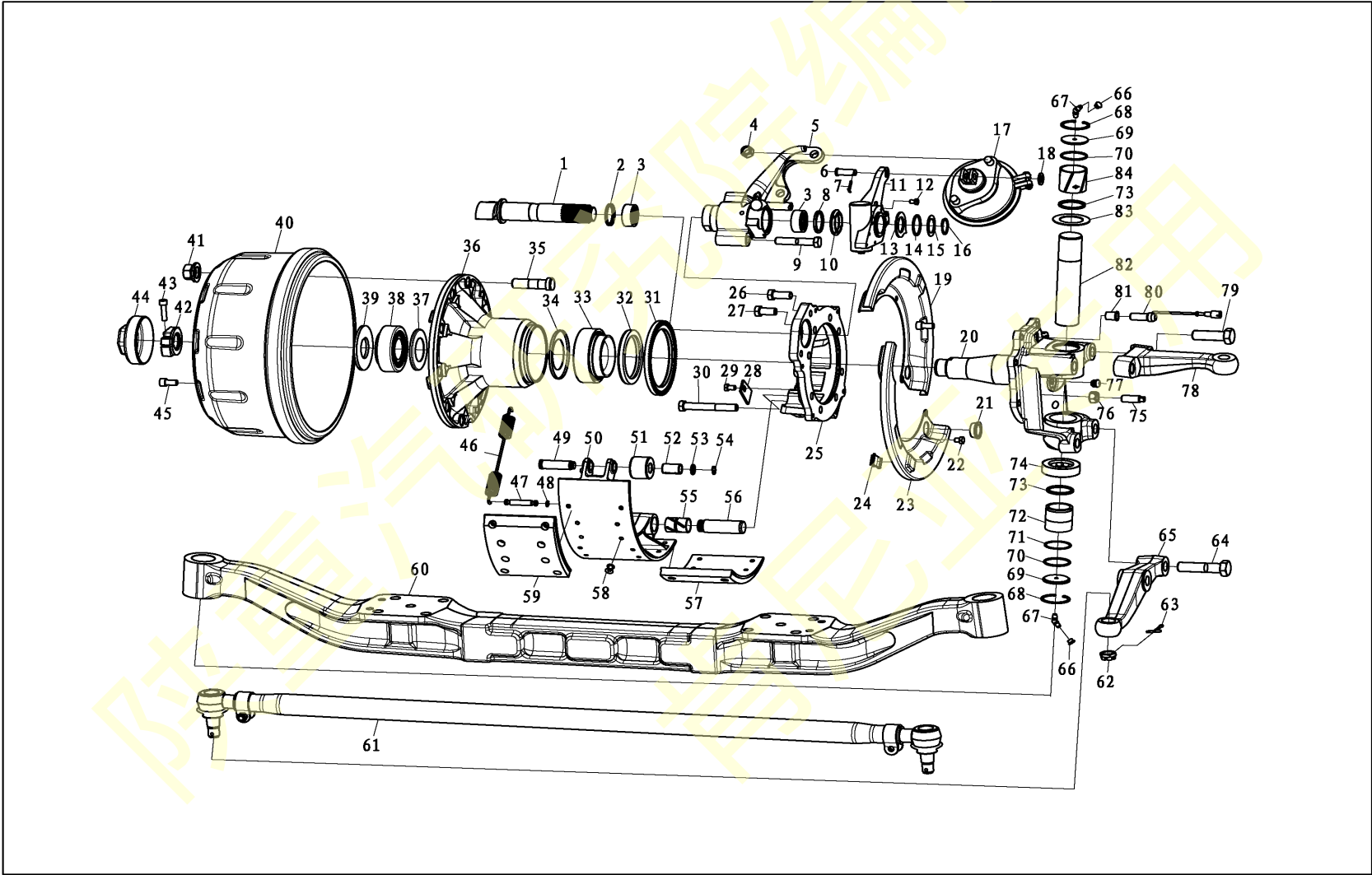
MAN7.5 吨鼓式转向轴



MAN7.5 吨鼓式转向轴

| 序号 NO | 件号 Part.No | 名称 Designation | Name | 数量 Quantity | 适用车型 Suited type | 备注 Remark |
|----------|----------------|-------------------|----------------------------|----------------|---------------------|--------------------------------|
| 45 | Q2541020 | 十字槽沉头螺钉 | Bolt | 4 | | |
| 46 | 81.97610.0115 | 回位弹簧 | Return spring | 4 | | 用于铸造制动蹄 |
| | DZ95009440015 | 回位弹簧 | Return spring | 4 | | 用于冲焊制动蹄 |
| 47 | 81.50211.0018 | 回位弹簧销 | Return spring pin | 4 | | 用于铸造制动蹄 |
| | DZ95009440010 | 回位弹簧销 | Return spring pin | 4 | | 用于冲焊制动蹄 |
| 48 | Q43112F3 | 轴用弹性挡圈 | Circlip for axle | 8 | | 用于冲焊制动蹄 |
| 49 | 81.50211.0030 | 销 | Pin | 4 | | |
| 50 | 81.50201.0137 | 制动蹄 | Brake shoe | 4 | | 用于铸造制动蹄 |
| | DZ95009440006 | 制动蹄总成 | Brake shoe | 4 | | 用于冲焊制动蹄 |
| 51 | 81.50213.0013 | 滚轮 | Roller | 4 | | |
| 52 | 81.93021.0220 | 衬套 | Bush | 4 | | |
| 53 | 06.15113.2615 | 垫圈 | Washer | 4 | | |
| 54 | 190003933072 | 轴用弹性挡圈 | Circlip for axle | 4 | | |
| 55 | 81.93021.0117 | 衬套 | Bush | 4 | | |
| 56 | 81.50212.0032 | 制动蹄销 | Brake shoe pin | 4 | | |
| 57 | 81.50221.0540 | 下制动摩擦片 | Lower brake friction plate | 4 | | |
| 58 | 81.92201.0109 | 空心铆钉 | Hollowness clincher | 72 | | |
| 59 | 81.50221.0535 | 上制动摩擦片 | Upon brake friction plate | 4 | | |
| 60 | DZ9100410055 | 前轴 | Front axle | 1 | | MAN 悬架, 板簧距 880, 定位孔 $\Phi 20$ |
| | DZ9100410071 | 前轴 | Front axle | 1 | | MAN 悬架, 板簧距 880, 定位孔 $\Phi 20$ |
| | DZ9100410058 | 前轴 | Front axle | 1 | | STR 悬架, 板簧距 880 |
| 61 | 81.46711.6725 | 转向横拉杆 | Steering cross rod | 1 | | |
| 62 | 81.90610.0015 | 六角开槽螺母 | Hex slit bolt | 2 | | |
| 63 | Q5005050 | 开口销 | Cotter pin | 2 | | |
| 64 | Q151B22100TF2S | 六角头螺栓 | Hex bolt | 4 | | |

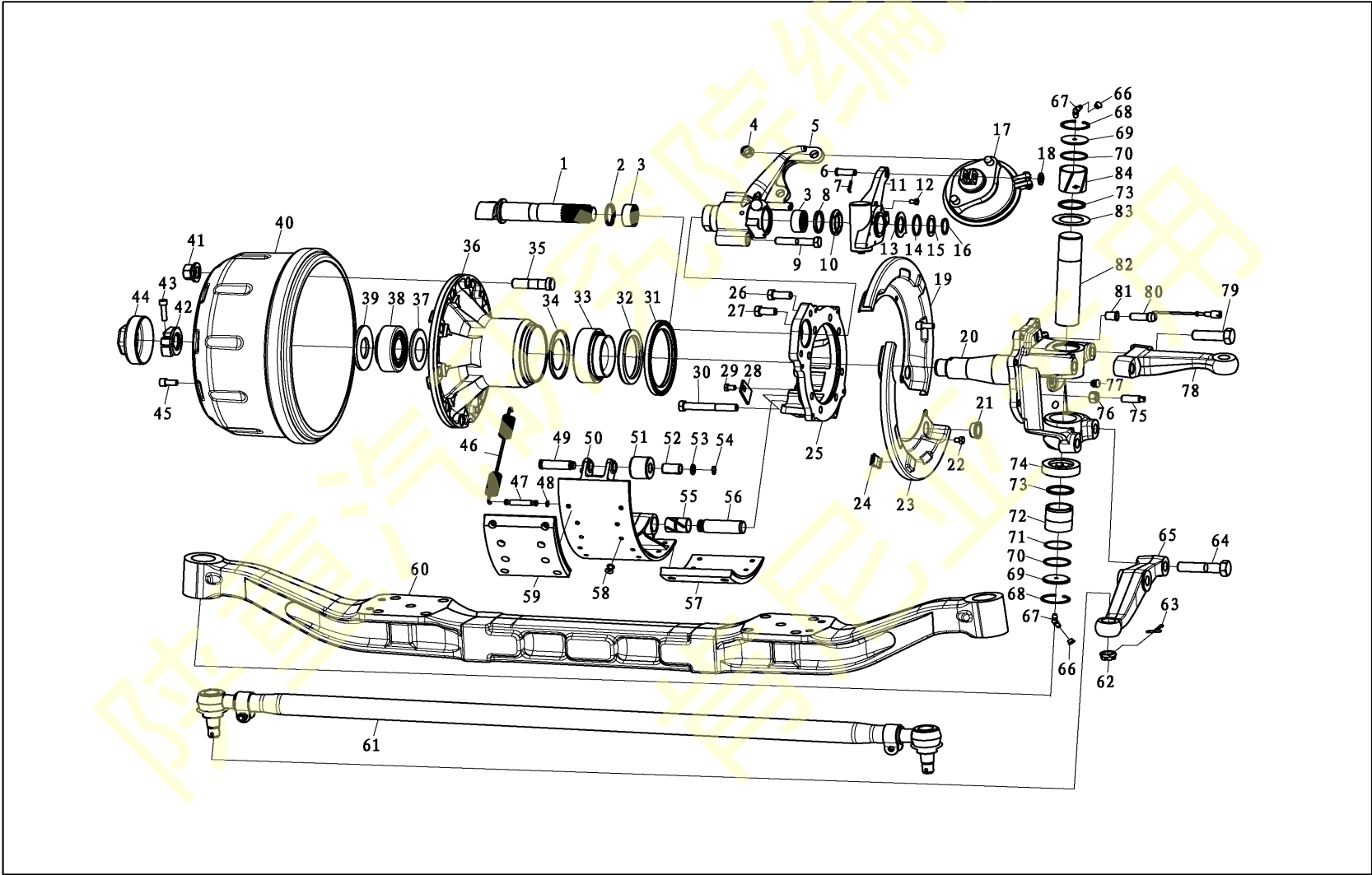
MAN7.5 吨鼓式转向轴



MAN7.5 吨鼓式转向轴

| 序号 NO | 件号 Part.No | 名称 Designation | Name | 数量 Quantity | 适用车型 Suited type | 备注 Remark |
|----------|---------------|-------------------|--------------------------------|----------------|---------------------|------------------|
| 65 | 81.46701.0243 | 转向梯形臂 (左) | Steering trapezium arm (left) | 1 | | 用于拉杆抬高 用于拉杆抬高 |
| | 81.46701.0244 | 转向梯形臂 (右) | Steering trapezium arm (right) | 1 | | |
| | HD95009410031 | 转向梯形臂 (左) | Steering trapezium arm (left) | 1 | | |
| | HD95009410032 | 转向梯形臂 (右) | Steering trapezium arm (right) | 1 | | |
| 66 | 199000520096 | 保护罩 | Protect cover | 4 | | |
| 67 | 190003963114 | 滑脂嘴 | Grease nipple | 4 | | |
| 68 | Q43058 | 孔用弹性挡圈 | Circlip for hole | 4 | | |
| 69 | 81.90711.0941 | 密封盘 | Packing disc | 4 | | |
| 70 | 81.96501.0671 | 密封圈 | Packing ring | 4 | | |
| 71 | 81.90770.0096 | 垫圈 | Washer | 2 | | |
| 72 | 81.93402.6003 | 滚针轴承 | Quill roller bearing | 2 | | |
| 73 | 81.96502.6044 | 轴密封圈 | Packing ring for axle | 4 | | |
| 74 | 06.32819.0017 | 推力圆锥滚子轴承 | Push row-steep roller bearing | 2 | | |
| 75 | HD95009410001 | 限位螺钉 | Fixed bolt | 2 | | 选用 |
| | HD95009410001 | 限位螺钉 | Fixed bolt | 2 | | |
| 76 | Q341B16 | 螺母 | Hex nut | 2 | | |
| 77 | 81.96002.0131 | 密封堵 | Packing bulkhead | 2 | | |
| 78 | 81.46705.0383 | 转向节臂 | Steering knuckle arm | 1 | | 仅用于双前轴 II 轴 |
| | 81.46705.0381 | 转向节臂 | Steering knuckle arm | 1 | | 仅用于双前轴 I 轴 |
| | 81.46705.0267 | 左转向节臂 | Left steering knuckle arm | 1 | | 用于单前轴 |
| 79 | Q151B2275TF2S | 六角头螺栓 | Hex bolt | 2 | | 用于带 ABS |
| 80 | DZ9100580214 | 传感器 | Sensor | 2 | | 用于带 ABS |
| 81 | DZ9100580215 | 传感器衬套 | Sensor sleevr | 2 | | 用于带 ABS |
| | 81.96002.0368 | 堵塞 | Packing bulkhead | 2 | | 用于不带 ABS |
| 82 | 81.44205.0057 | 转向节主销 | Steering knuckle pin | 2 | | |

MAN7.5 吨鼓式转向轴

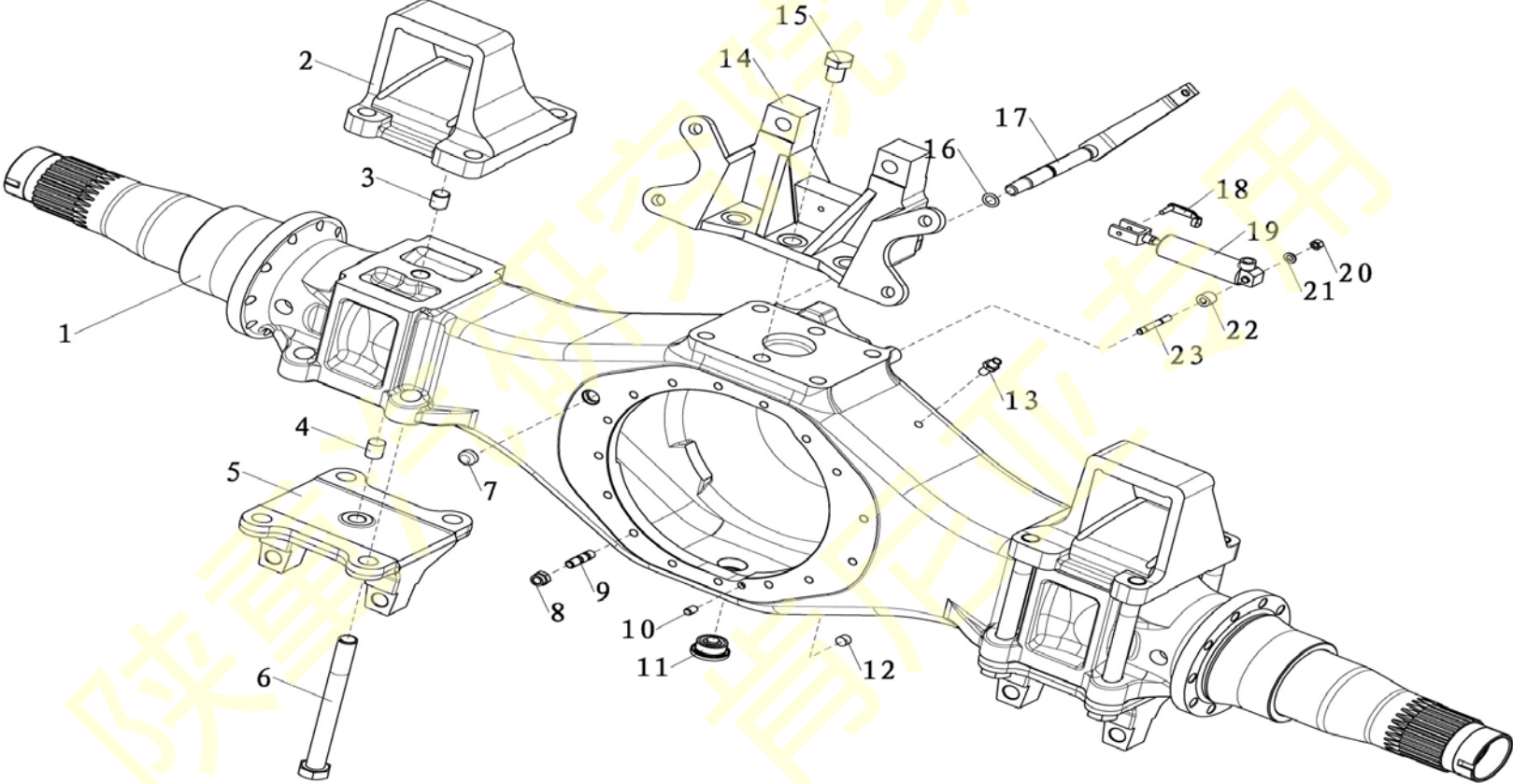


MAN7.5 吨鼓式转向轴

| 序号 NO | 件号 Part.No | 名称 Designation | Name | 数量 Quantity | 适用车型 Suited type | 备注 Remark |
|----------|---------------|-------------------|------------------|----------------|---------------------|--------------|
| 83 | 81.90711.0671 | 调整垫片 | Adjusting washer | 按需 | | |
| | DZ95009410031 | 调整垫片 | Adjusting washer | 按需 | | |
| | 81.90711.0672 | 调整垫片 | Adjusting washer | 按需 | | |
| | DZ95009410032 | 调整垫片 | Adjusting washer | 按需 | | |
| | 81.90711.0673 | 调整垫片 | Adjusting washer | 按需 | | |
| | DZ95009410033 | 调整垫片 | Adjusting washer | 按需 | | |
| | 81.90711.0674 | 调整垫片 | Adjusting washer | 按需 | | |
| | DZ95009410034 | 调整垫片 | Adjusting washer | 按需 | | |
| | 81.90711.0675 | 调整垫片 | Adjusting washer | 按需 | | |
| | DZ95009410035 | 调整垫片 | Adjusting washer | 按需 | | |
| | 81.90711.0676 | 调整垫片 | Adjusting washer | 按需 | | |
| | DZ95009410036 | 调整垫片 | Adjusting washer | 按需 | | |
| | DZ95009410037 | 调整垫片 | Adjusting washer | 按需 | | |
| | DZ95009410038 | 调整垫片 | Adjusting washer | 按需 | | |
| | 81.90711.0677 | 调整垫片 | Adjusting washer | 按需 | | |
| | 81.90711.0678 | 调整垫片 | Adjusting washer | 按需 | | |
| | 81.90711.0679 | 调整垫片 | Adjusting washer | 按需 | | |
| 84 | 81.93020.0706 | 上衬套 | Top bush | 2 | | |

驱动桥 Drive axle

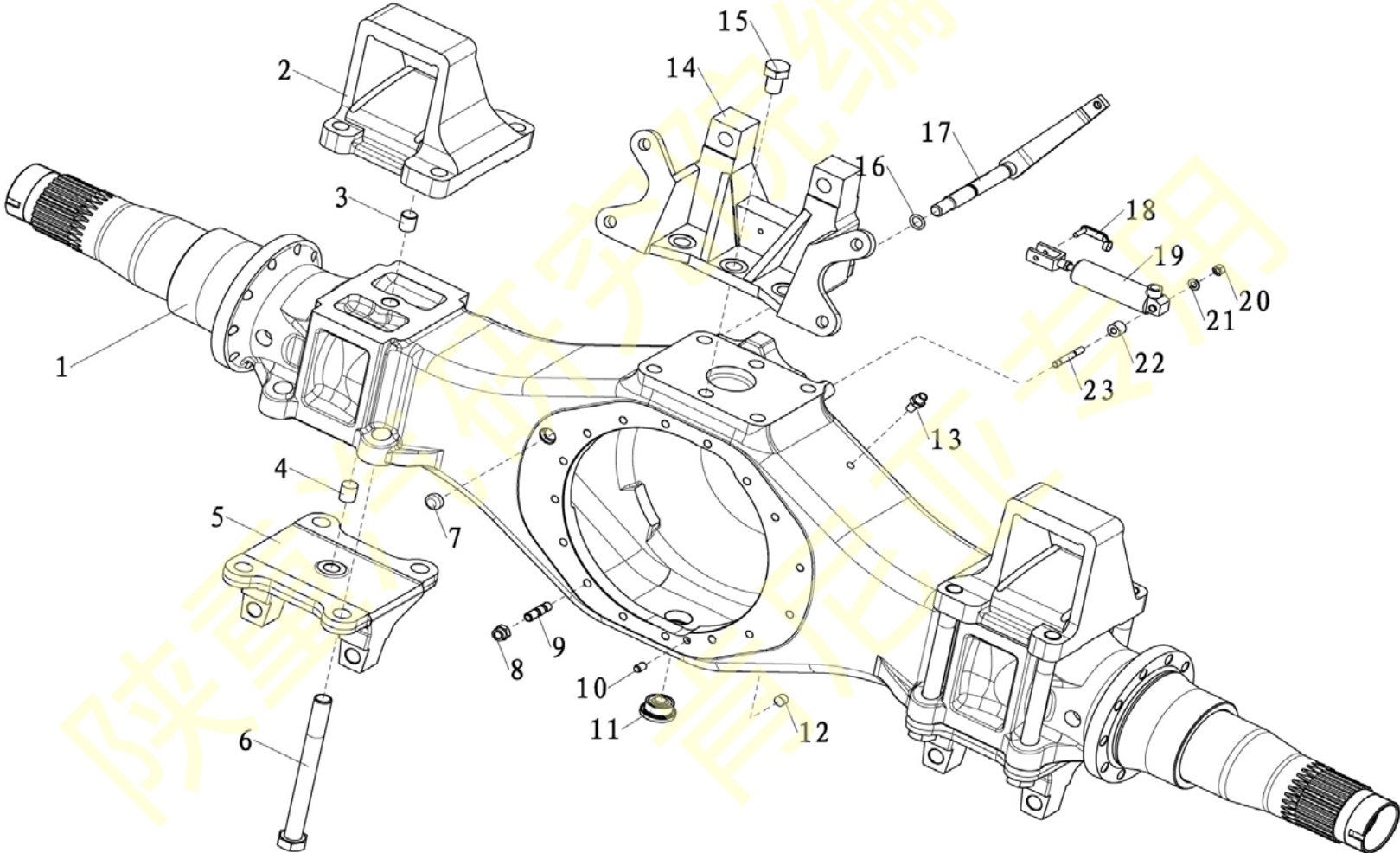
HDS300 中桥桥壳



HDS300 中桥桥壳

| 序号 NO | 件号 Part.No | 名称 Designation | Name | 数量 Quantity | 适用车型 Suited type | 备注 Remark | |
|----------|---------------|----------------------------------|------------------------------------|----------------|---------------------|--------------|-------------------|
| 1 | HD91149330025 | 贯通驱动桥壳总成 | Rear axle housing assembly | 1 | | 铸造桥壳 | |
| 2 | DZ9114524031 | 后板簧左前支架 | Spring bracket of f.r axle (left) | 1 | | | |
| | DZ9114524032 | 后板簧右前支架 | Spring bracket of f.r axle (right) | 1 | | | |
| 3 | 199014520256 | 销 | Pin | 2 | | | |
| 4 | 190003901905 | 圆柱销 GB119 A20*24 | Pin | 2 | | | |
| 5 | DZ9114520305 | 左支架 | Bracket (left) | 1 | | | |
| | DZ9114520306 | 右支架 | Bracket (right) | 1 | | | |
| 6 | DZ9114520116 | 六角头螺栓 | Hex bolt | 8 | | | |
| 7 | 190003989290 | 碗形堵塞 | Bowling plug | 1 | | | |
| 8 | 190003888457 | 自锁螺母 | Self-locking nut | 16 | | | |
| 9 | 190003810631 | 双头螺柱—M12-M12*1.5*30 DIN939-8.8ZN | Stud | 4 | | | 冲焊数量 4 铸造数量 16 |
| | 190003810631 | 双头螺柱—M12-M12*1.5*30 DIN939-8.8ZN | Stud | 16 | | | |
| 10 | 190003901506 | 圆柱销 | Pin | 1 | | | |
| 11 | DZ9112330623 | 磁性螺塞总成 | Magnetic plug assembly | 1 | | | |
| 12 | 190003962021 | 锥螺纹内六角螺塞 | Plug | 1 | | | |
| 13 | 81.35306.0034 | 直通接头 | Straight joint | 1 | | | |
| 14 | 199014340042 | 气室支架总成 | Chamber bracket | 1 | | | |
| 15 | Q151B2040TF2 | 六角头螺栓 | Hex bolt | 4 | | | |
| | Q151B2030TF2 | 六角头螺栓 | Hex bolt | 2 | | | |
| 16 | 1680M0320015 | O型垫圈 | O style packing ring | 1 | | | |
| 17 | 199014330126 | 操纵杆总成 | Operation handle assembly | 1 | | | 中桥壳用 |
| 18 | 178000350055 | ES 平头销 | Flat head lock | 1 | | | |
| 19 | HD91129710001 | 电磁压力开关 | Pressure switch | 1 | | | |
| 20 | Q33208 | 2型全金属六角锁紧螺母 | Hex nut | 1 | | | |
| 21 | Q40108 | 平垫圈 | Plain washer | 1 | | | |

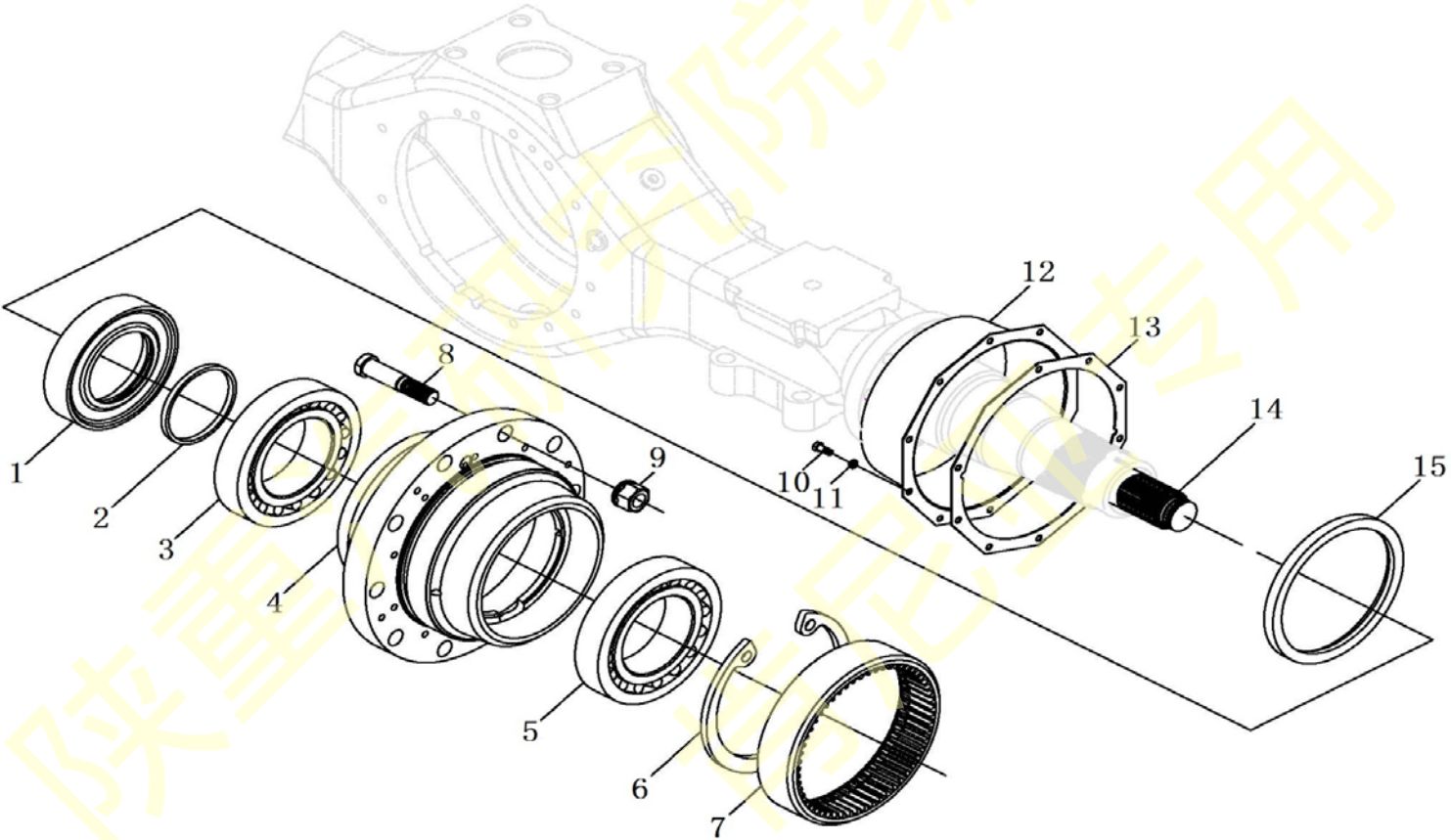
HDS300 中桥桥壳



HDS300 中桥桥壳

| 序号 NO | 件号 Part.No | 名称 Designation | Name | 数量 Quantity | 适用车型 Suited type | 备注 Remark |
|----------|---------------|-------------------|--------------|----------------|---------------------|--------------|
| 22 | 161000060084 | 间隔衬套 | Space collar | 1 | | |
| 23 | Q1200850F3 | 双头螺柱 | Stud | 1 | | |

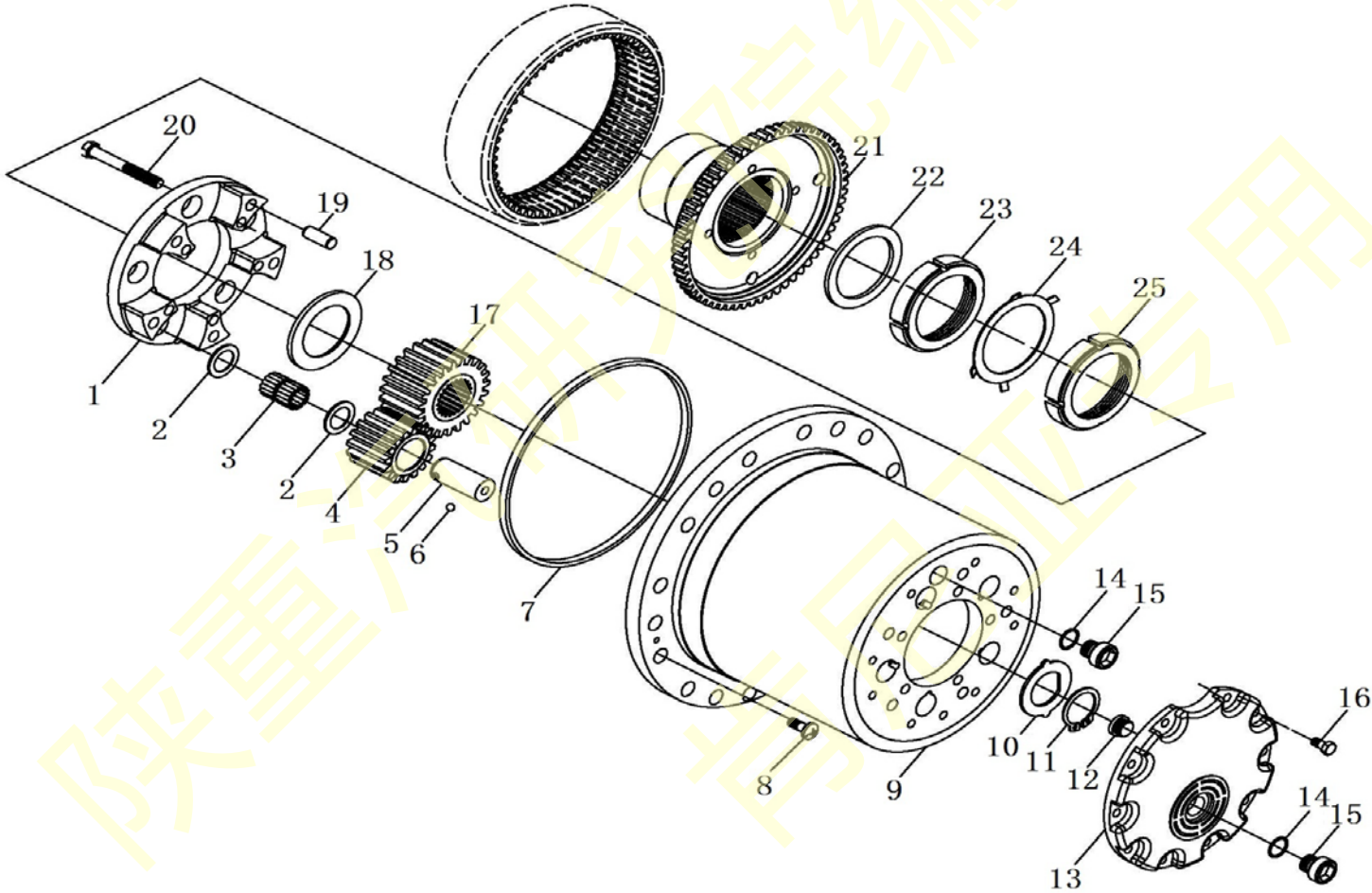
HDS300 中桥轮边 I



HDS300 中桥轮边 I

| 序号 NO | 件号 Part.No | 名称 Designation | Name | 数量 Quantity | 适用车型 Suited type | 备注 Remark |
|----------|----------------|-------------------|--------------------------|----------------|---------------------|--------------|
| 1 | DZ91129340111 | 隔圈 | Spacing collar | 2 | | |
| 2 | 199012340027 | 密封圈 | Packing ring | 2 | | |
| 3 | 30222 | 圆锥滚子轴承 | Row-steep roller bearing | 2 | | |
| 4 | DZ91129340119 | 后轮毂 | Rear wheel hub zsembly | 2 | | |
| 5 | 32222 | 圆锥滚子轴承 | Row-steep roller bearing | 2 | | |
| 6 | 188000420014 | 孔用挡圈 | Circlip for hole | 2 | | |
| 7 | 199012340121 | 内齿圈 | Inside gear ring | 2 | | |
| 8 | H150A22120BZF3 | 车轮螺栓 | Wheel bolt | 20 | | 马蹄形螺栓 |
| 9 | 190003884160 | 车轮螺母 | Wheel nut | 20 | | |
| 10 | Q150B0816 | 六角头螺栓 | Hex bolt | 20 | | |
| 11 | Q40308 | 弹簧垫圈 | Spring washer | 20 | | |
| 12 | 199012340021 | 挡油罩 | Oil baffle cap | 2 | | |
| 13 | 199012340020 | 密封垫片 | Packing ring | 2 | | |
| 14 | DZ9112340221 | 半轴(左) | Axle shaft(left) | 1 | | 用于 1860 轮距 |
| | DZ9112340222 | 半轴(右) | Axle shaft(right) | 1 | | 用于 1860 轮距 |
| 15 | DZ9112340227 | 轮毂油封(左) | Axle packing ring(L) | 1 | | 组合式油封,分左右 |
| | DZ9112340228 | 轮毂油封(右) | Axle packing ring(R) | 1 | | 组合式油封,分左右 |

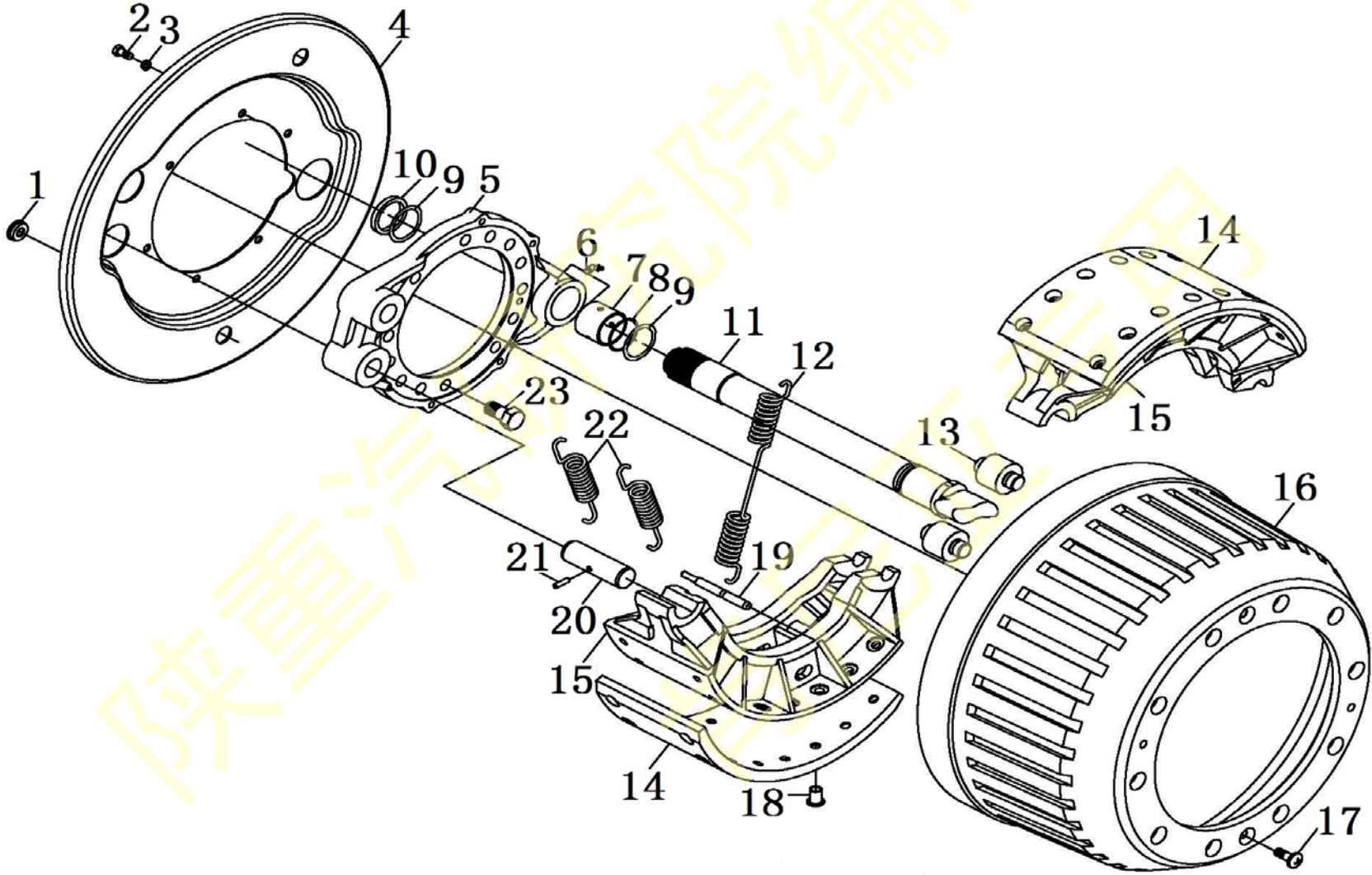
HDS300 中桥轮边 II



HDS300 中桥轮边 II

| 序号 NO | 件号 Part.No | 名称 Designation | Name | 数量 Quantity | 适用车型 Suited type | 备注 Remark |
|----------|---------------|-------------------|--------------------------|----------------|---------------------|--------------|
| 1 | 199112340018 | 行星架 | Planet shelf | 2 | | |
| 2 | HD91129340053 | 行星轮垫片 | Planet gear washer | 20 | | |
| 3 | DZ91129340090 | 滚针轴承 | Quill roller bearing | 10 | | |
| 4 | DZ91129340093 | 行星轮 | Planet gear | 10 | | |
| 5 | 199012340004 | 行星轮轴 | Planet gear axle | 10 | | |
| 6 | 190003330148 | 钢球 | Steel ball | 10 | | |
| 7 | 199012340029 | 密封圈 | Packing ring | 4 | | |
| 8 | Q2541025 | 十字槽沉头螺钉 | Silt bolt | 4 | | |
| 9 | HD91129340026 | 轮边减速器壳 | Hub reductor case | 2 | | |
| 10 | 188000410097 | 垫圈 | Washer | 2 | | |
| 11 | 190003933351 | 轴用弹性挡圈 | Circlip for axle | 2 | | |
| 12 | 199012340011 | 端盖顶销 | End cap pin | 2 | | |
| 13 | DZ91129340025 | 端盖 | End cap | 2 | | |
| 14 | 190003098026 | 密封垫圈 | Packing ring | 4 | | |
| 15 | DZ9112346116 | 圆柱头内六角螺塞 | Square head tapered plug | 4 | | |
| 16 | Q150B1014 | 六角头螺栓 | Hex bolt | 20 | | |
| 17 | 199012340005 | 太阳轮 | Central gear | 2 | | |
| 18 | 199012340076 | 太阳轮垫圈 | Central gear washer | 2 | | |
| 19 | 190003901704 | 圆柱销 | Pin | 10 | | |
| 20 | Q151C1295TF2 | 六角头螺栓 | Hex bolt | 10 | | |
| 21 | DZ91129340106 | 齿圈支架 | Gear ring bearer | 2 | | |
| 22 | 188000420033 | 齿圈座环 | Gear ring seat ring | 2 | | |
| 23 | DZ9112340215 | 锁紧螺母 | Circle nut | 2 | | |
| 24 | 168000340015 | 止推垫圈 | Stop washer | 2 | | |
| 25 | DZ9112340216 | 锁紧螺母 | Circle nut | 2 | | |

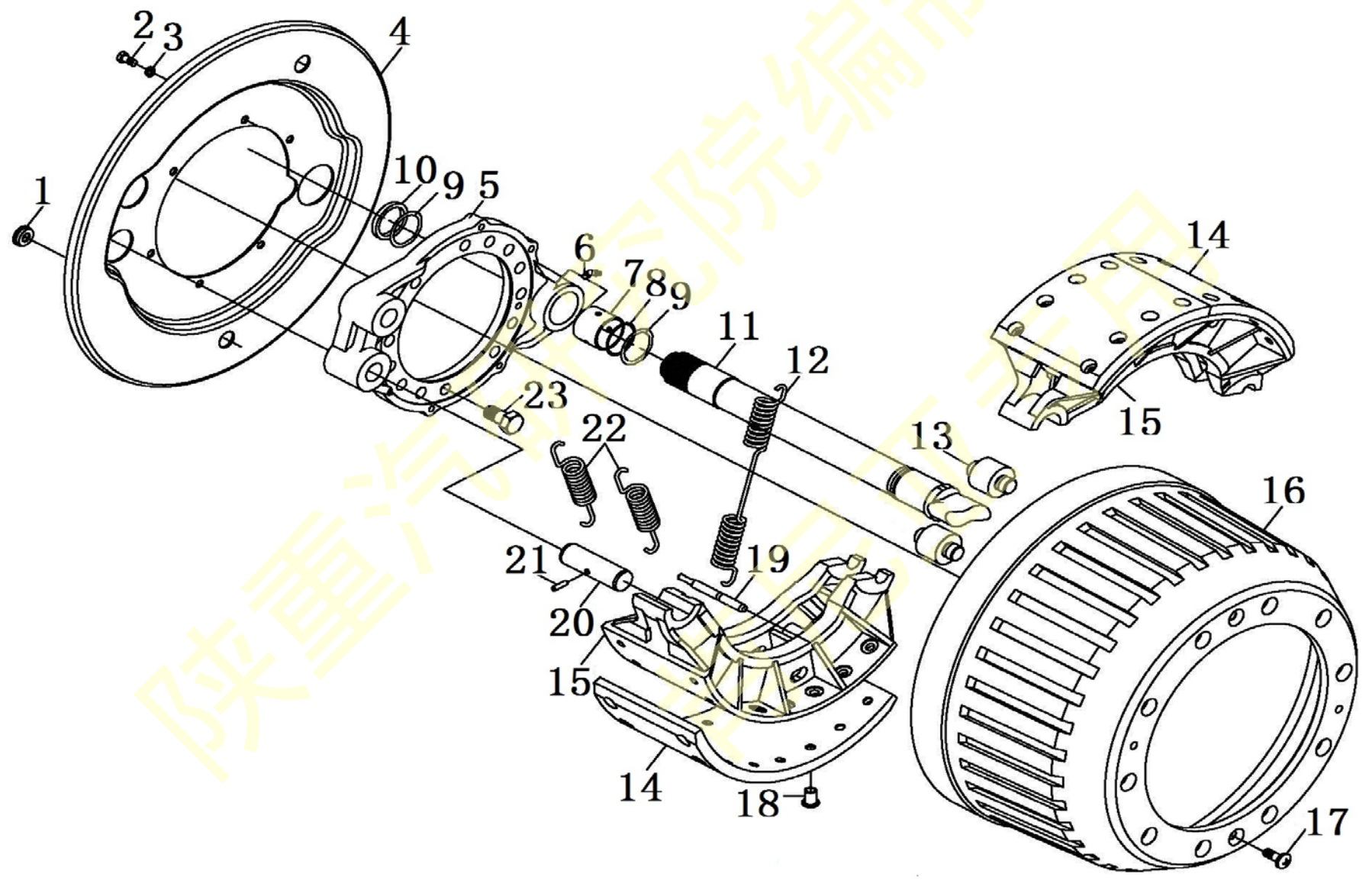
HDS300 中桥制动 I



HDS300 中桥制动 I

| 序号 NO | 件号 Part.No | 名称 Designation | Name | 数量 Quantity | 适用车型 Suited type | 备注 Remark |
|----------|---------------|-------------------|----------------------------|----------------|---------------------|---------------|
| 1 | 188000340037 | 密封塞 | Packing plug | 10 | | 带 ABS, 数量为 10 |
| | 188000340037 | 密封塞 | Packing plug | 12 | | 无 ABS, 数量为 12 |
| 2 | Q150B0816 | 六角头螺栓 | Hex bolt | 12 | | |
| 3 | Q40308 | 弹簧垫圈 | Spring washer | 12 | | |
| 4 | 199112340012 | 制动器防尘罩 | Brake prevented dust cap | 2 | | |
| 5 | 199000340062 | 制动底板 | Brake floor | 2 | | |
| 6 | 190003963114 | 米制锥螺纹滑脂嘴 | Taper thread grease nipple | 2 | | |
| 7 | 188000340017 | 衬套 | Bush | 2 | | |
| 8 | 188000340023 | O 型密封圈 | O style packing ring | 2 | | |
| 9 | 188000440010 | 附加垫片 | Washer | 4 | | |
| 10 | 190003933300 | 轴用弹性挡圈 | Circlip for axle | 2 | | |
| 11 | DZ9112340056 | 制动凸轮轴 (左) | Brake camshaft (left) | 1 | | |
| | DZ9112340057 | 制动凸轮轴 (右) | Brake camshaft (right) | 1 | | |
| 12 | 188000440012 | 回位弹簧 | Return spring | 2 | | |
| 13 | 199000340027 | 滚轮 | Roller wheel | 4 | | |
| 14 | 199000340068 | 制动摩擦片 | Brake friction plate | 8 | | |
| 15 | 199000340061 | 制动蹄 | Brake shoe | 4 | | |
| 16 | HD91129340028 | 制动鼓 | Brake drum | 2 | | |
| 17 | Q2541020 | 十字槽盘头螺钉 | Slit bolt | 4 | | |
| 18 | 189000340068 | 铆钉 | Clincher | 64 | | |
| 19 | 188000440032 | 回位弹簧销 | Pin | 4 | | |
| 20 | 199000340064 | 支销 | Pin axle | 4 | | |
| 21 | Q5280624 | 弹性圆柱销 | Elastane pin | 4 | | |
| 22 | 199112340049 | 回位弹簧 | Return spring | 4 | | |

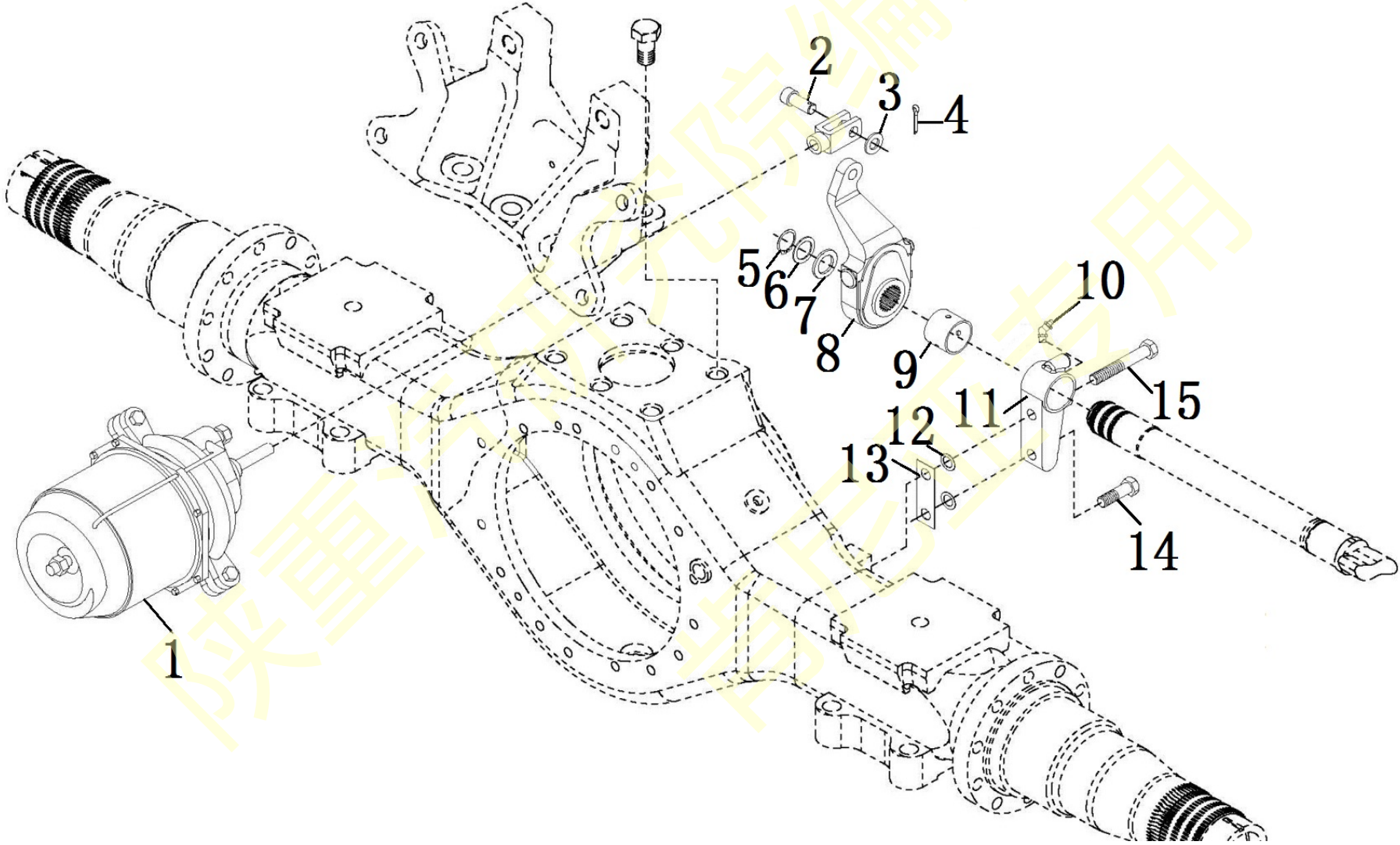
HDS300 中桥制动 I



HDS300 中桥制动 I

| 序号 NO | 件号 Part.No | 名称 Designation | Name | 数量 Quantity | 适用车型 Suited type | 备注 Remark |
|----------|------------------------------|----------------------|----------------------|----------------|---------------------|--------------------------------------|
| 23 | DZ9112340372 DZ9112340372 | 内六方圆柱头螺栓 内六方圆柱头螺栓 | Hex bolt Hex bolt | 18 20 | | 铸造桥带 ABS, 数量为 18 铸造桥无 ABS, 数量为 20 |

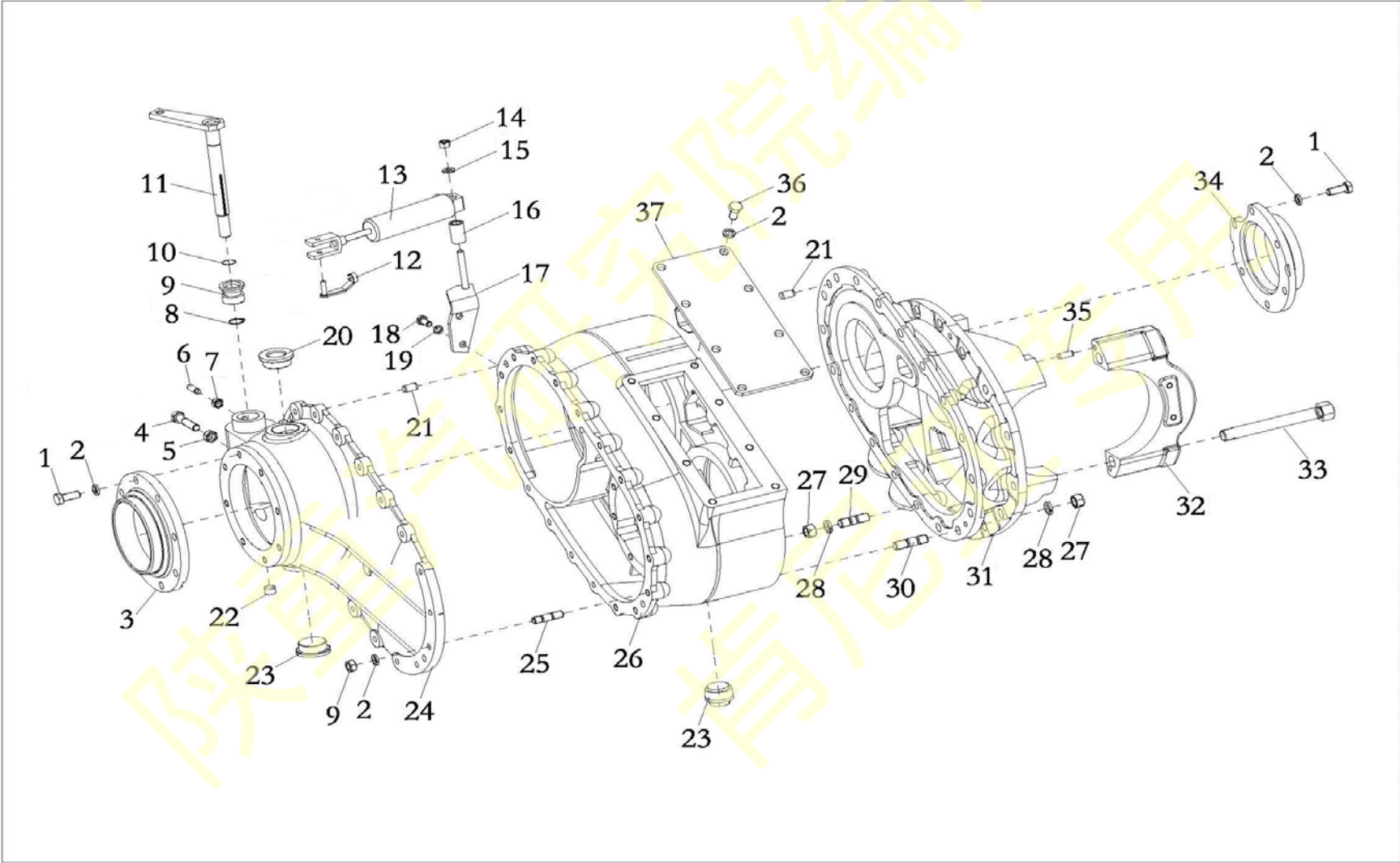
HDS300 中桥制动 II



HDS300 中桥制动 II

| 序号 NO | 件号 Part.No | 名称 Designation | Name | 数量 Quantity | 适用车型 Suited type | 备注 Remark |
|----------|---------------|-------------------|-------------------------------|----------------|---------------------|--------------|
| 1 | AZ9100368303 | 膜片式弹簧制动气室 | Diaphragm pring brake chamber | 2 | | |
| 2 | 190003903661 | 销轴 | Pin axle | 2 | | |
| 3 | Q40114 | 平垫圈 | Flat washer | 2 | | |
| 4 | Q5004025 | 开口销 | Cotter pin | 2 | | |
| 5 | Q43125 | 轴用弹性挡圈 | Circlip for axle | 2 | | |
| 6 | 108000320028 | 调整垫圈 | Adjusting washer | 按需 | | |
| | 108000320029 | 调整垫圈 | Adjusting washer | 按需 | | |
| | 108000320030 | 调整垫圈 | Adjusting washer | 按需 | | |
| | 108000320046 | 调整垫圈 | Adjusting washer | 按需 | | |
| 7 | 188000340022 | 垫圈 | Washer | 2 | | |
| 8 | 199000340056 | 间隙调整臂总成(左) | Automatic ga adjusting (left) | 1 | | 手调臂用 |
| | 199000340057 | 间隙调整臂总成(右) | Automatic ga adjusting(right) | 1 | | 手调臂用 |
| 9 | 188000340017 | 衬套 | Bush | 2 | | |
| 10 | 190003963114 | 米制锥螺纹滑脂嘴 | Taper thread grease nipple | 2 | | |
| 11 | 199014340041 | 凸轮轴支架 | Camshaft bearer | 2 | | |
| 12 | 138090470031 | 调整垫片 | Adjusting washer | 按需 | | |
| | 138090470032 | 调整垫片 | Adjusting washer | 按需 | | |
| | 138090470033 | 调整垫片 | Adjusting washer | 按需 | | |
| 13 | 188000340031 | 调整垫片 | Adjusting washer | 按需 | | |
| | 188000340032 | 调整垫片 | Adjusting washer | 按需 | | |
| | 188000340033 | 调整垫片 | Adjusting washer | 按需 | | |
| | 188000340034 | 调整垫片 | Adjusting washer | 按需 | | |
| 14 | Q151B1440 | 六角头螺栓 | Hex bolt | 2 | | 手调臂用 |
| 15 | Q151B1490 | 六角头螺栓 | Hex bolt | 2 | | |

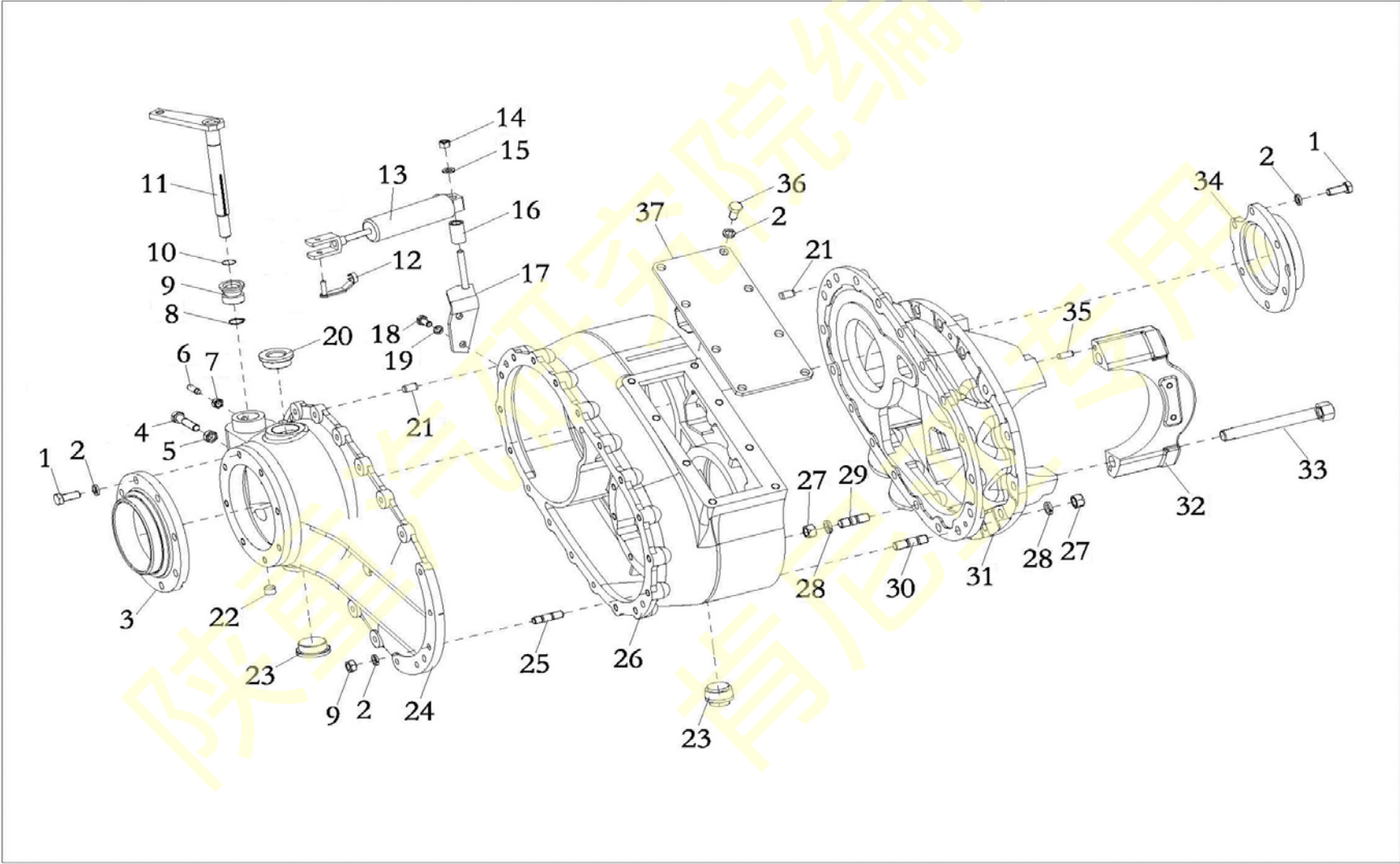
HDS 中桥主减 I



HDS 中桥主减 I

| 序号 NO | 件号 Part.No | 名称 Designation | Name | 数量 Quantity | 适用车型 Suited type | 备注 Remark |
|----------|---------------|-------------------------|------------------------|----------------|------------------------|--------------|
| 1 | Q150B1025 | 六角头螺栓 | Hex bolt | 14 | | |
| 2 | Q40310 | 弹簧垫圈 | Spring washer | 40 | | |
| 3 | 199014320175 | 端盖 | Cover | 1 | | |
| 4 | Q150B1050 | 六角头螺栓 | Hex bolt | 1 | | |
| 5 | Q340B10 | 1 型六角螺母 | Hex.net | 19 | | |
| 6 | 190003902070 | 开槽长圆柱端紧定螺钉 GB75 M8*20Zn | Slit bolt | 1 | | |
| 7 | Q340B08 | 1 型六角螺母 | Hex.net | 1 | | |
| 8 | Q43117 | 轴用弹性挡圈 | Circlip for axle | 1 | | |
| 9 | 127000320037 | 衬套 | Bush | 1 | | |
| 10 | 128800730062 | O 形密封圈 | O style packing ring | 1 | | |
| 11 | 199014320076 | 差速锁摇臂总成 | Rocker arm | 1 | | |
| 12 | 178000350055 | ES 平头销 | Flat head lock | 1 | | |
| 13 | HD91129710001 | 电磁压力开关 | Pressure switch | 1 | | |
| 14 | Q33208 | 2 型全金属六角锁紧螺母 | Hex nut | 1 | | |
| 15 | Q40108 | 平垫圈 | Plain washer | 1 | | |
| 16 | 161000060072 | 隔套 | Space collar | 1 | | |
| 17 | 199014320156 | 托架总成 | Bearer assembly | 1 | | |
| 18 | Q150B0816 | 六角头螺栓 | Hex bolt | 2 | | |
| 19 | Q40308 | 弹簧垫圈 | Spring washer | 2 | | |
| 20 | DZ9112330620 | 加油螺塞总成 | plug | 1 | | |
| 21 | 190003901506 | 圆柱销 | Pin | 4 | | |
| 22 | 190003989279 | 碗形堵塞 | Bowling choke plug | 1 | | |
| 23 | DZ9112330623 | 磁性螺塞总成 | Magnetic plug assembly | 2 | | |
| 24 | HD90129320017 | 过桥箱盖 | Pass-axle box cap | 1 | | |
| 25 | Q1201028F3 | 双头螺柱 | Stud | 18 | | |

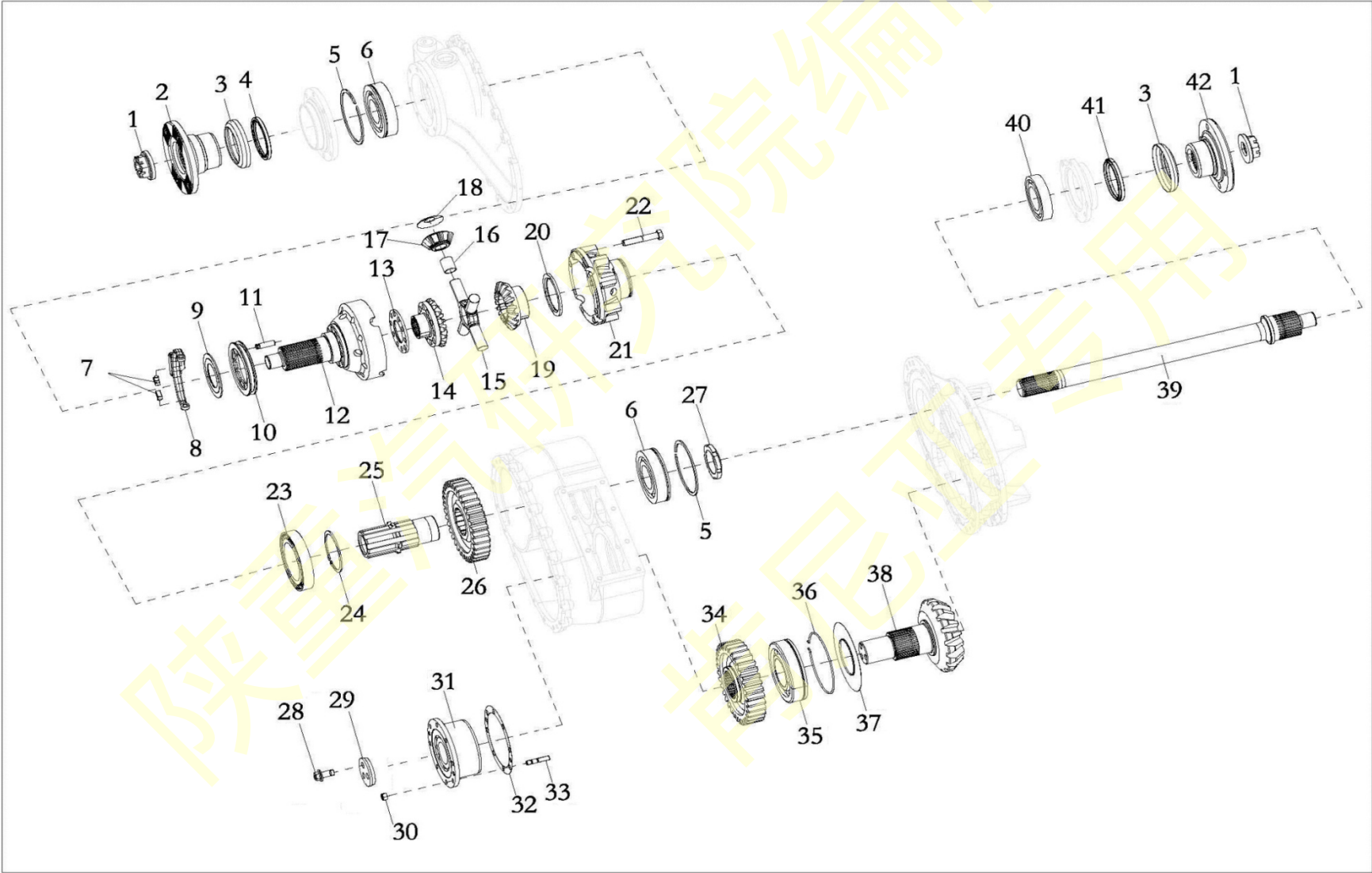
HDS300 中桥主减 I



HDS300 中桥主减 I

| 序号 NO | 件号 Part.No | 名称 Designation | Name | 数量 Quantity | 适用车型 Suited type | 备注 Remark |
|----------|---------------|-------------------|---------------------|----------------|---------------------|--------------------------|
| 26 | 199014320259 | 过桥箱 | Pass axle box | 1 | | |
| 27 | Q340B12 | 1 型六角螺母 | Hex nut | 18 | | |
| 28 | Q40312 | 弹簧垫圈 | Spring washer | 18 | | |
| 29 | Q1201225F3 | 双头螺柱 | Stud | 4 | | |
| 30 | 190003813628 | 双头螺柱 | Stud | 14 | | |
| 31 | DZ91149320003 | 主减速器壳(中桥) | Final drive case | 1 | | |
| 32 | DZ9112320002 | 差速器轴承盖 | Horseshoe bushing | 2 | | |
| 33 | DZ90001500007 | 六角法兰面承面带齿螺栓 | Hex bolt | 4 | | |
| 34 | 199014320141 | 轴承座 | Bearing seat | 1 | | |
| 35 | Q5210820 | 圆柱销 | Pin | 4 | | |
| 36 | Q150B1020 | 六角头螺栓 | Hex bolt | 8 | | |
| 37 | 199014320118 | 接油板总成 | Oil baffle assembly | 1 | | 用于 i=4.42、4.8 |
| | AZ9114320178 | 接油板总成 | Oil baffle assembly | 1 | | 用于 i=5.73、6.72、7.49、9.49 |

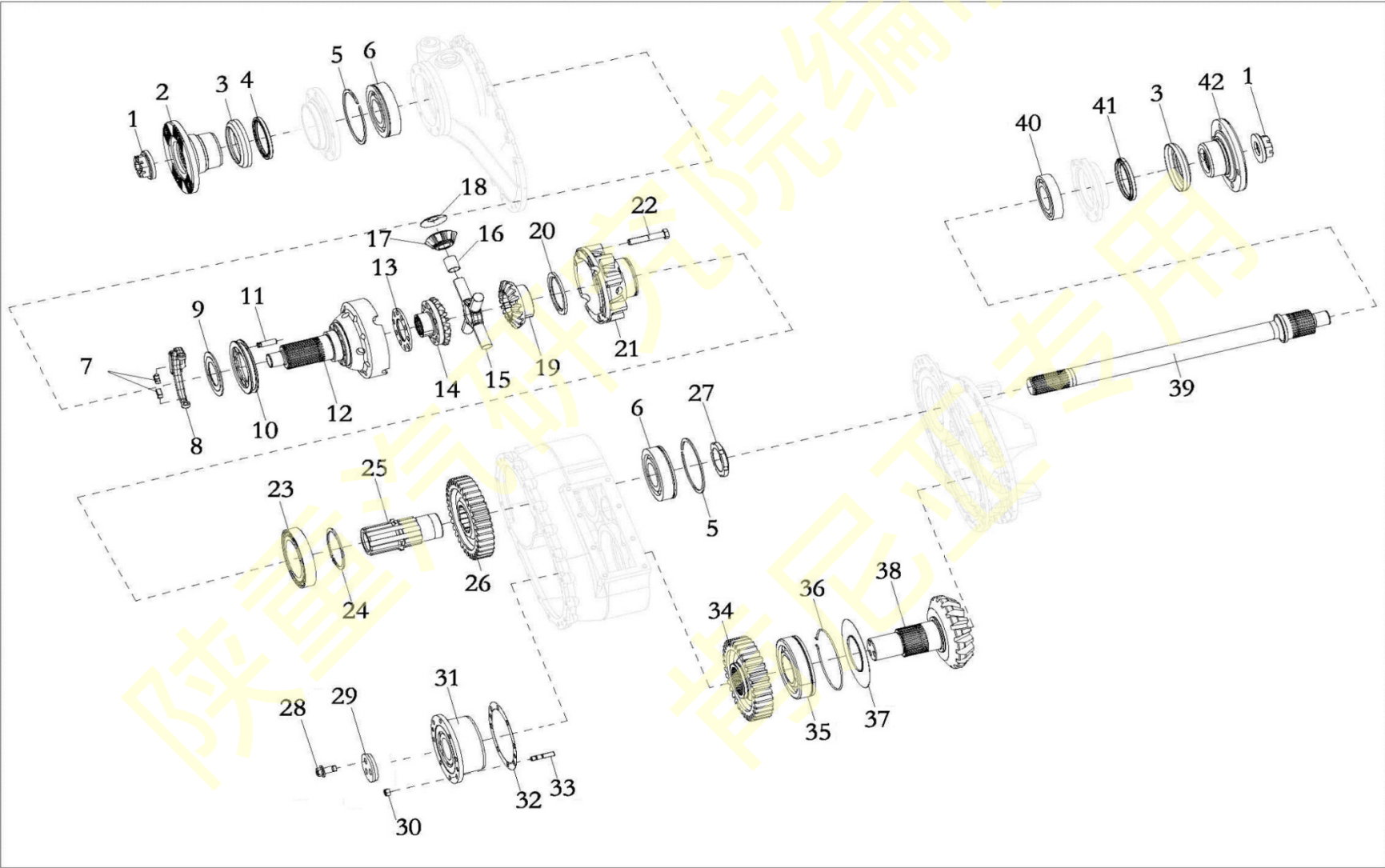
HDS300 中桥主减 II



HDS300 中桥主减II

| 序号 NO | 件号 Part.No | 名称 Designation | Name | 数量 Quantity | 适用车型 Suited type | 备注 Remark |
|----------|---------------|-------------------|---------------------------------------|----------------|---------------------|--------------|
| 1 | DZ91129320007 | 凸缘螺母 | Flange nut | 2 | | |
| 2 | DZ9112320632 | 凸缘 (φ 180 端面齿法兰) | Flange assembly | 1 | | |
| 3 | 179000320012 | 防尘罩 | Prevented dust cap | 1 | | |
| 4 | DZ9112320920 | 主减油封 | Packing ring for axle | 1 | | |
| 5 | Q433130 | 轴用压扁钢丝挡圈 | Wire circlip for axle | 2 | | |
| 6 | 6312N | 深沟球轴承 | Annular ball bearing | 2 | | |
| 7 | 118000320077 | 拨叉活动块 | Declutch shift activity block | 2 | | |
| 8 | 199014320053 | 拨叉 | Declutch shift | 1 | | |
| 9 | 199014320061 | 轴间差速器壳垫片 | Differential lock washer between axle | 1 | | |
| 10 | DZ9114320136 | 差速锁锁环 | Differential lock ring | 1 | | |
| 11 | 128800320106 | 差速锁销 | Differential lock | 10 | | |
| 12 | HD91129320051 | 差速器壳(前) | Differential case (front) | 1 | | |
| 13 | HD90129320122 | 半轴齿轮(前)垫片 | Axle shaft gear washer (front) | 选用 | | |
| | HD90129320123 | 半轴齿轮(前)垫片 | Axle shaft gear washer (front) | 选用 | | |
| | HD90129320124 | 半轴齿轮(前)垫片 | Axle shaft gear washer (front) | 选用 | | |
| | HD90129320125 | 半轴齿轮(前)垫片 | Axle shaft gear washer (front) | 选用 | | |
| | HD90129320126 | 半轴齿轮(前)垫片 | Axle shaft gear washer (front) | 选用 | | |
| 14 | DZ9114320137 | 半轴齿轮(前) | Axle shaft gear (front) | 1 | | |
| 15 | DZ90129320000 | 差速器十字轴 | Differential cross axle | 1 | | |
| 16 | HD90129320121 | 衬套 | Planet gear bush | 4 | | |
| 17 | DZ90129320003 | 行星齿轮 | Planet gear | 4 | | |
| 18 | HD90129320120 | 行星齿轮垫片 | Planet gear washerr | 4 | | |
| 19 | 199014320059 | 半轴齿轮(后) | Axle shaft gear (rear) | 1 | | |

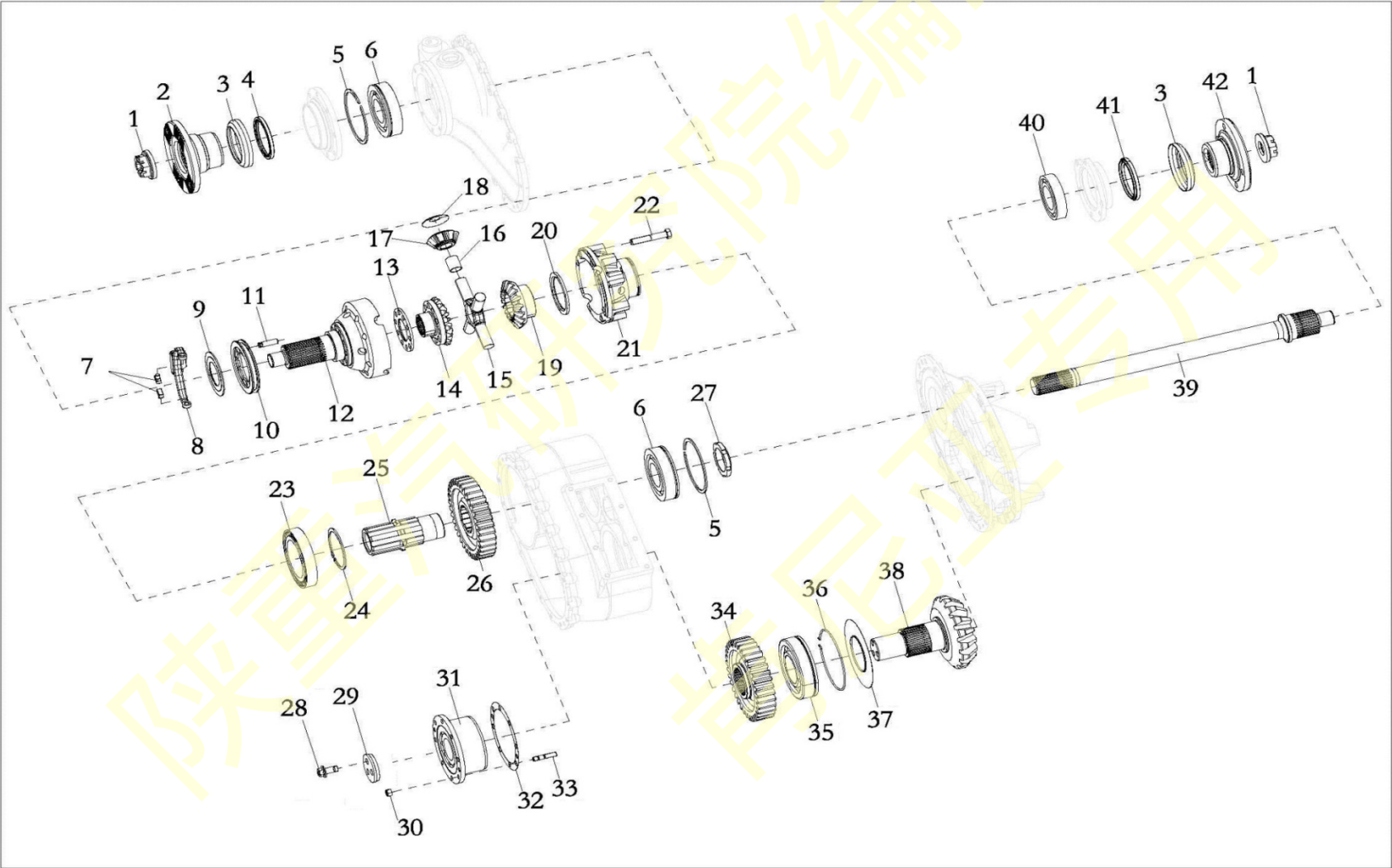
HDS300 中桥主减 II



HDS300 中桥主减 II

| 序号 NO | 件号 Part.No | 名称 Designation | Name | 数量 Quantity | 适用车型 Suited type | 备注 Remark |
|----------|---------------|-------------------|-------------------------------|----------------|---------------------|--------------------------|
| 20 | HD90129320127 | 半轴齿轮(后)垫片 | Axle shaft gear washer (rear) | 选用 | | |
| | HD90129320128 | 半轴齿轮(后)垫片 | Axle shaft gear washer (rear) | 选用 | | |
| | HD90129320129 | 半轴齿轮(后)垫片 | Axle shaft gear washer (rear) | 选用 | | |
| | HD90129320130 | 半轴齿轮(后)垫片 | Axle shaft gear washer (rear) | 选用 | | |
| 21 | HD91129320052 | 差速器壳(后) | differential case (rear) | 1 | | |
| 22 | Q151B1480TF2 | 六角头螺栓 | Hex bolt | 8 | | |
| 23 | 6019-Z | 深沟球轴承 | Annular ball bearing | 1 | | |
| 24 | 190003933580 | 轴用弹性挡圈 | Circlip for axle | 1 | | |
| 25 | DZ91129320066 | 空心轴 | Hollowness axle | 1 | | |
| 26 | DZ91129320065 | 主动圆柱齿轮 | Active spur gear | 1 | | 用于 i=4.42 |
| | DZ91129320064 | 主动圆柱齿轮 | Active spur gear | 1 | | 用于 i=4.8 |
| | DZ91129320073 | 主动圆柱齿轮 | Active spur gear | 1 | | 用于 i=5.73、6.72、7.49、9.49 |
| 27 | 199012250031 | 开槽圆螺母 | Circle nut | 1 | | |
| 28 | Q1801430TF2 | 六角法兰面承面带齿螺栓 | Hex bolt | 3 | | |
| 29 | DZ91129320053 | 轴承压板 | Bearing ring | 1 | | |
| 30 | Q33210 | 2 型全金属六角锁紧螺母 | Hex nut | 8 | | |
| 31 | DZ9114320129 | 31311 轴承单元总成 | Row-steep roller bearing | 1 | | |
| 32 | 199014320131 | 调整垫片 | Adjusting washer | 按需 | | |
| | 199014320132 | 调整垫片 | Adjusting washer | 按需 | | |
| | 199014320133 | 调整垫片 | Adjusting washer | 按需 | | |
| | 199014320134 | 调整垫片 | Adjusting washer | 按需 | | |
| 33 | DZ91129320056 | 双头螺柱 | Stud | 8 | | |

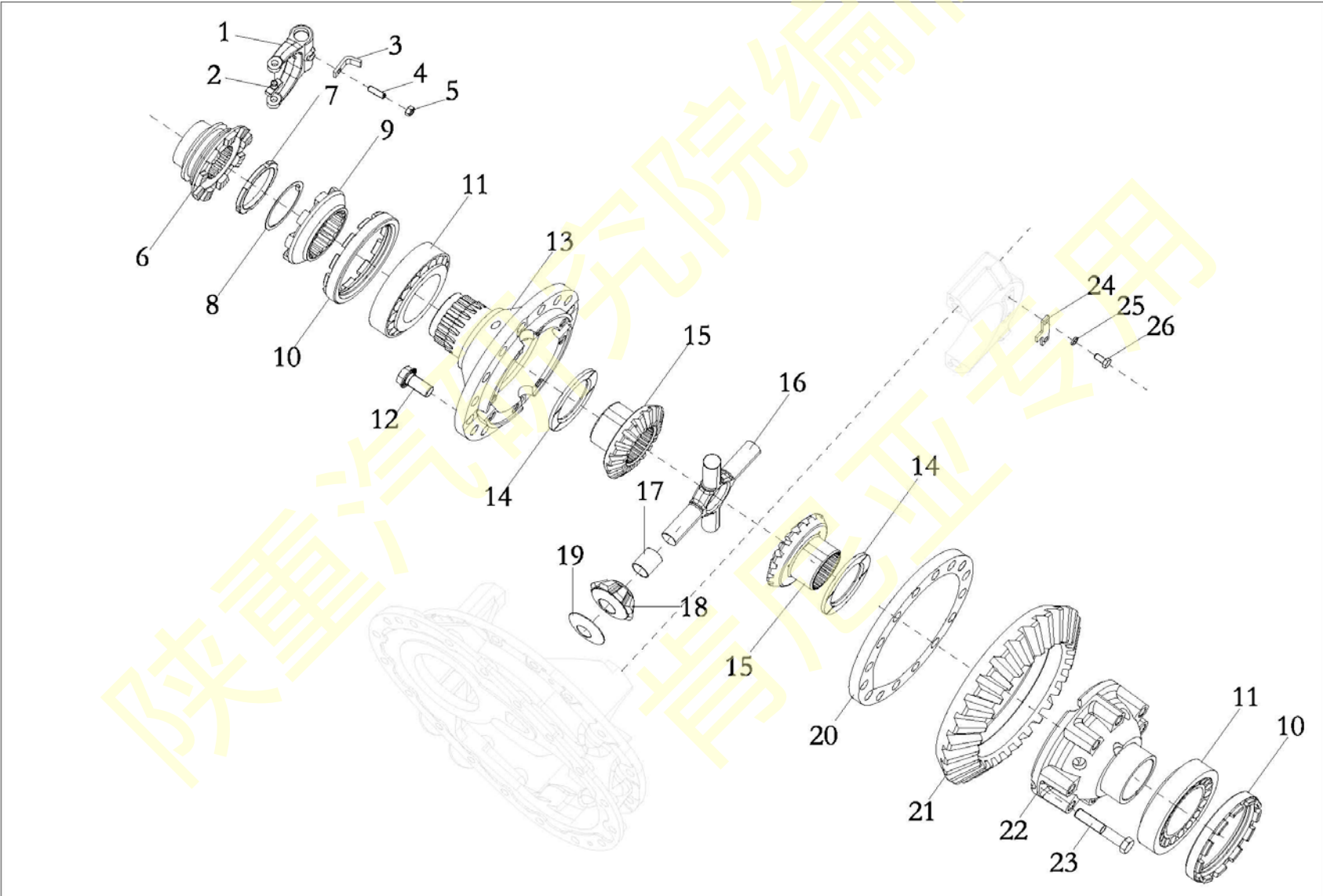
HDS300 中桥主减 II



HDS300 中桥主减 II

| 序号 NO | 件号 Part.No | 名称 Designation | Name | 数量 Quantity | 适用车型 Suited type | 备注 Remark |
|----------|---------------|-------------------|-------------------|----------------|---------------------|--------------------------|
| 34 | DZ9114320651 | 从动圆柱齿轮 | Passive spur gear | 1 | | 用于 i=4.42 |
| | DZ9114320646 | 从动圆柱齿轮 | Passive spur gear | 1 | | 用于 i=4.8 |
| | DZ91129320074 | 从动圆柱齿轮 | Passive spur gear | 1 | | 用于 i=5.73、6.72、7.49、9.49 |
| 35 | DZ90129320074 | 满滚子圆柱滚子轴承 | Roller bear | 1 | | |
| 36 | 199014320256 | 钢丝挡圈 | Steel wire collar | 1 | | |
| 37 | 199014320174 | 挡油片 | Oil baffle | 1 | | |
| 38 | DZ9114320636 | 主动锥齿轮 | Active bevel gear | 1 | | 用于 i=4.42、4.8、5.73 |
| | DZ9114320640 | 主动锥齿轮 | Active bevel gear | 1 | | 用于 i=6.72 |
| | DZ9114320641 | 主动锥齿轮 | Active bevel gear | 1 | | 用于 i=7.49 |
| | DZ9114320643 | 主动锥齿轮 | Active bevel gear | 1 | | 用于 i=9.49 |
| 39 | DZ9114320138 | 贯通轴 | Piercing axle | 1 | | |
| 40 | HD90149326033 | 四点接触球轴承 | Bear | 1 | | |
| 41 | DZ9114320902 | 贯通轴油封 | Axle packing ring | 1 | | |
| 42 | DZ9114320654 | 凸缘(φ 180 端面齿) | Flange | 1 | | |

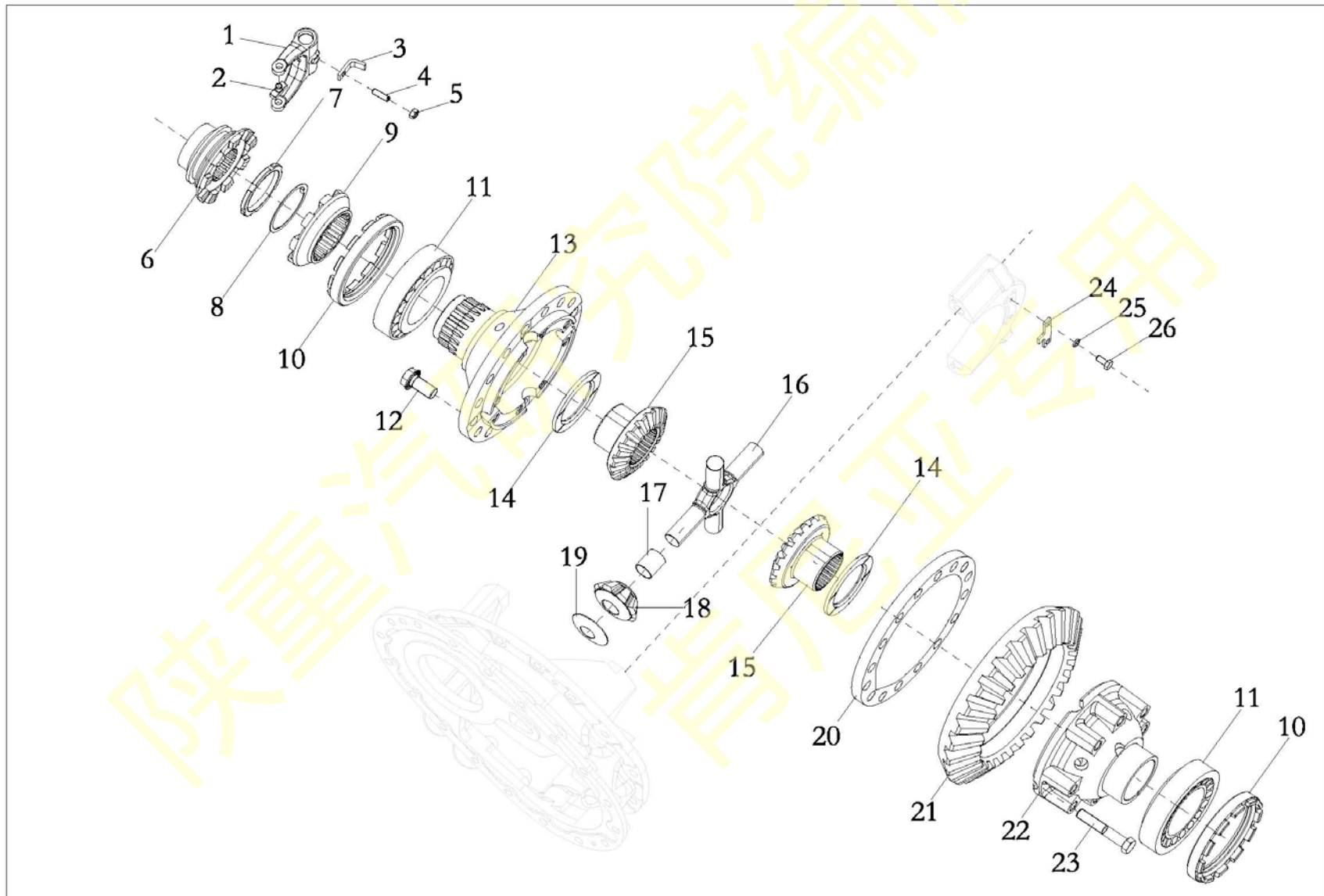
HDS300 中桥主减III



HDS300 中桥主减III

| 序号 NO | 件号 Part.No | 名称 Designation | Name | 数量 Quantity | 适用车型 Suited type | 备注 Remark |
|----------|---------------|------------------------|----------------------------|----------------|---------------------|--------------------|
| 1 | 199012320014 | 拨叉 | Declutch shift | 1 | | |
| 2 | 118000320077 | 拨叉活动块 | Sliding block | 2 | | |
| 3 | 199012320023 | 弯板 | Bend plate | 1 | | |
| 4 | Q2800825 | 开槽锥端紧定螺钉 | Slit bolt | 1 | | |
| 5 | Q340B08 | 1 型六角螺母 | Hex nut | 1 | | |
| 6 | 138090320156 | 滑动啮合套 | Sliding engage cowl | 1 | | |
| 7 | 138090320157 | 圆螺母 | Circle nut | 1 | | |
| 8 | 138090320158 | 锁止垫片 | Locking washer | 1 | | |
| 9 | 138090320155 | 固定啮合套 | Fixed engage cowl | 1 | | |
| 10 | 138090320159 | 差速器轴承调整螺母 | Differential adjusting nut | 2 | | |
| 11 | 190003326148 | 圆锥滚子轴承 32216GB/T297-94 | Row-steep roller bearing | 2 | | |
| 12 | DZ9114320013 | 六角法兰面承面带齿螺栓 | Hex bolt | 16 | | 用于 i=4.42、4.8、5.73 |
| | DZ9114320011 | 六角法兰面承面带齿螺栓 | Hex bolt | 16 | | 用于 i=6.72 |
| | DZ9114320012 | 六角法兰面承面带齿螺栓 | Hex bolt | 16 | | 用于 i=7.49、9.49 |
| 13 | HD91129320045 | 差速器壳(左) | Differential case (left) | 1 | | |
| 14 | HD90129320132 | 调整垫片 | Adjusting washer | 选用 | | |
| | HD90129320133 | 调整垫片 | Adjusting washer | 选用 | | |
| | HD90129320134 | 调整垫片 | Adjusting washer | 选用 | | |
| | HD90129320135 | 调整垫片 | Adjusting washer | 选用 | | |
| | HD90129320136 | 调整垫片 | Adjusting washer | 选用 | | |
| 15 | 199012320009 | 半轴齿轮 | Axle shaft gear | 2 | | |
| 16 | DZ90129320000 | 差速器十字轴 | Differential cross axle | 1 | | |
| 17 | HD90129320121 | 衬套 | Planet gear bush | 4 | | |
| 18 | DZ90129320003 | 行星齿轮 | Planet gear | 4 | | |
| 19 | HD90129320120 | 行星齿轮垫片 | Planet gear washerr | 4 | | |
| 20 | 199014320153 | 补偿环 | Differential case washer | 1 | | |

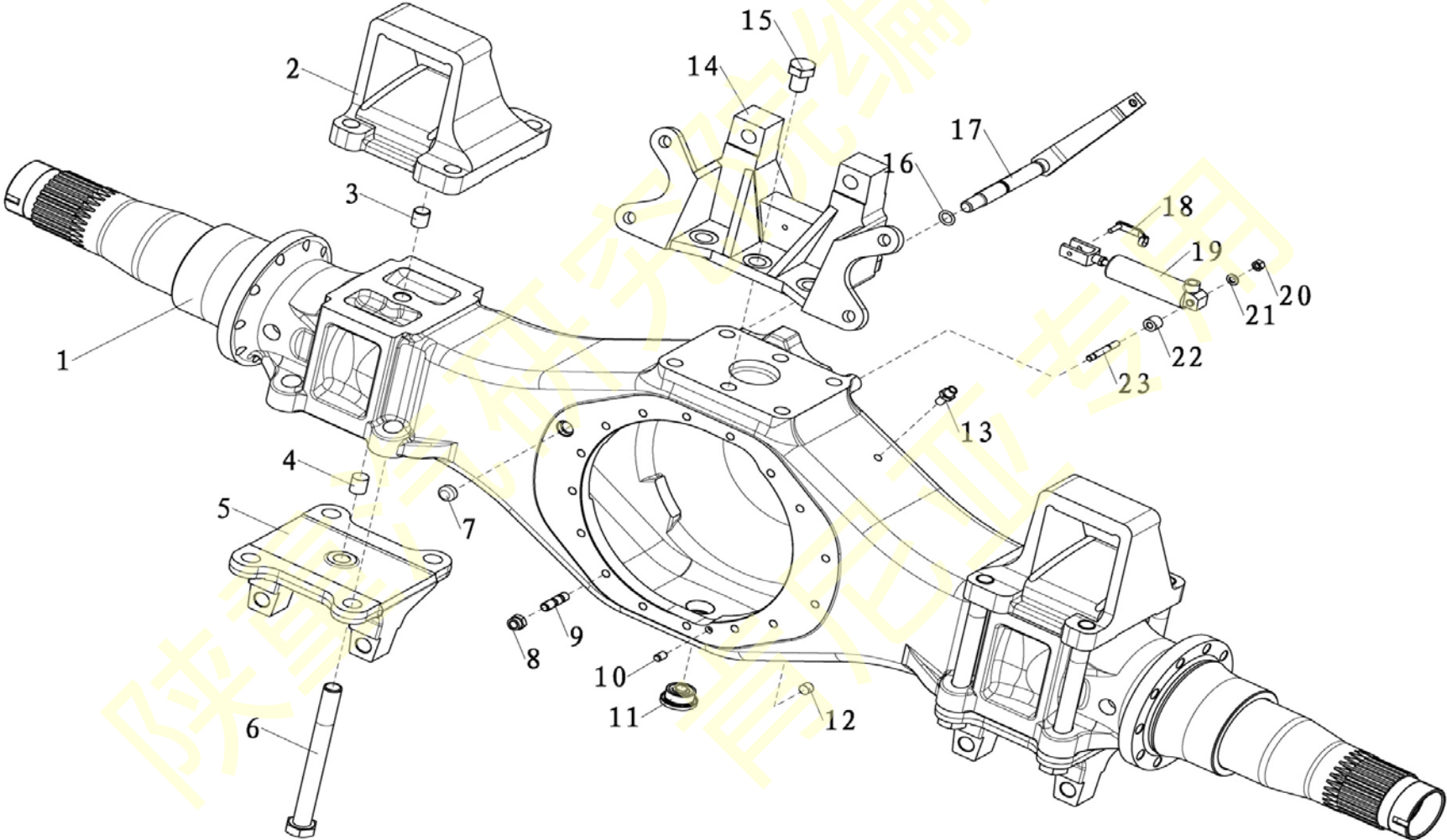
HDS300 中桥主减III



HDS300 中桥主减III

| 序号 NO | 件号 Part.No | 名称 Designation | Name | 数量 Quantity | 适用车型 Suited type | 备注 Remark |
|----------|---------------|-------------------|---------------------------|----------------|---------------------|--------------------|
| 21 | 199014320126 | 从动锥齿轮 | Passive bevel gear | 1 | | 用于 i=4.42、4.8、5.73 |
| | 199014320146 | 从动锥齿轮 | Passive bevel gear | 1 | | 用于 i=6.72 |
| | 199014320150 | 从动锥齿轮 | Passive bevel gear | 1 | | 用于 i=7.49 |
| | 199014320152 | 从动锥齿轮 | Passive bevel gear | 1 | | 用于 i=9.49 |
| 22 | HD91129320043 | 差速器壳(右) | Differential case (right) | 1 | | |
| 23 | Q151B1480TF2 | 六角头螺栓 | Hex bolt | 8 | | |
| 24 | DZ9112320083 | 止动片 | Stop plate | 2 | | |
| 25 | Q40308 | 弹簧垫圈 | Spring washer | 4 | | |
| 26 | Q150B0816 | 六角头螺栓 | Hex bolt | 4 | | |

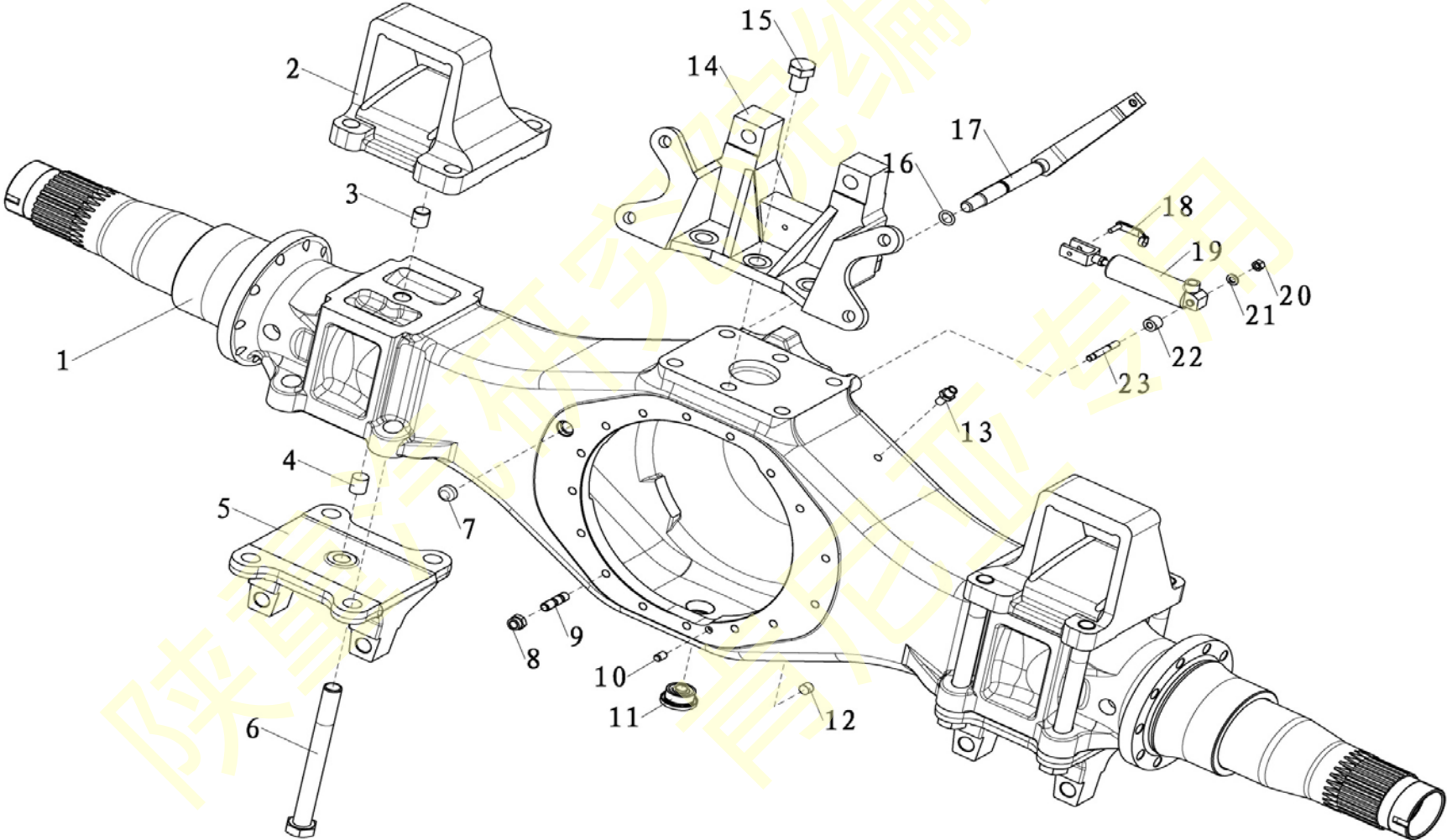
HDS300 后桥桥壳



HDS300 后桥桥壳

| 序号 NO | 件号 Part.No | 名称 Designation | Name | 数量 Quantity | 适用车型 Suited type | 备注 Remark |
|----------|---------------|-----------------------------------|----------------------------|----------------|---------------------|--------------|
| 1 | HD91149330027 | 驱动桥壳总成 | Rear axle housing assembly | 1 | | 铸造桥壳 |
| 2 | DZ9114524033 | 后板簧右后支架 | Spring bracket | 1 | | |
| | DZ9114524034 | 后板簧左后支架 | Spring bracket | 1 | | |
| 3 | 199014520256 | 销 | Pin | 2 | | |
| 4 | 190003901905 | 圆柱销 GB119 A20*24 | Pin | 2 | | |
| 5 | DZ9114520305 | 左支架 | Bracket (left) | 1 | | |
| | DZ9114520306 | 右支架 | Bracket (right) | 1 | | |
| 6 | DZ9114520116 | 六角头螺栓 | Hex bolt | 8 | | |
| 7 | 190003989290 | 碗形堵塞 | Bowling plug | 1 | | |
| 8 | 190003888457 | 自锁螺母 | Self-locking nut | 16 | | |
| 9 | 190003810631 | 双头螺柱--M12-M12*1.5*30 DIN939-8.8ZN | Stud | 4 | | 冲焊数量 4 |
| | 190003810631 | 双头螺柱--M12-M12*1.5*30 DIN939-8.8ZN | Stud | 16 | | 铸造数量 16 |
| 10 | 190003901506 | 圆柱销 | Pin | 1 | | |
| 11 | DZ9112330623 | 磁性螺塞总成 | Magnetic plug assembly | 1 | | |
| 12 | DZ9112330620 | 加油螺塞总成 | Plug screw assembly | 1 | | |
| 13 | 81.35306.0034 | 直通接头 | Straight coupling | 1 | | |
| 14 | 199014340042 | 气室支架总成 | Chamber bracket | 1 | | |
| 15 | Q151B2040TF2 | 六角头螺栓 | Hex bolt | 4 | | |
| | Q151B2030TF2 | 六角头螺栓 | Hex bolt | 2 | | |
| 16 | 1680M0320015 | O 型垫圈 | O style packing ring | 1 | | |
| 17 | 199014330125 | 操纵杆总成 | Operation handle assembly | 1 | | 后桥壳用 |
| 18 | 178000350055 | ES 平头销 | Flat head lock | 1 | | |
| 19 | HD91129710001 | 电磁压力开关 | Pressure switch | 1 | | |
| 20 | Q33208 | 2 型全金属六角锁紧螺母 | Hex nut | 1 | | |
| 21 | Q40108 | 平垫圈 | Plain washer | 1 | | |

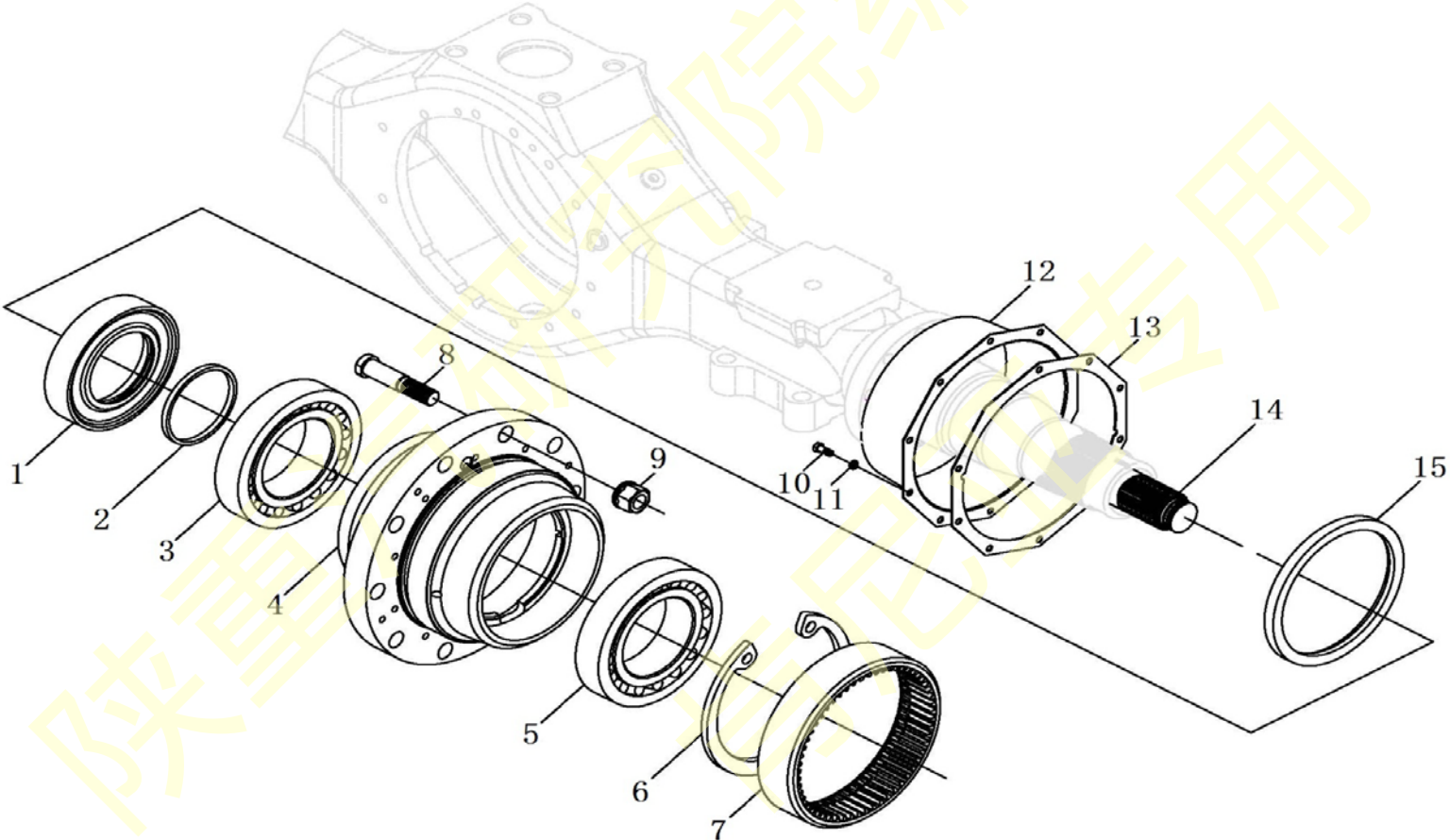
HDS300 后桥桥壳



HDS300 后桥桥壳

| 序号 NO | 件号 Part.No | 名称 Designation | Name | 数量 Quantity | 适用车型 Suited type | 备注 Remark |
|----------|---------------|-------------------|--------------|----------------|---------------------|--------------|
| 22 | 161000060084 | 间隔衬套 | Space collar | 1 | | |
| 23 | Q1200850F3 | 双头螺柱 | Stud | 1 | | |

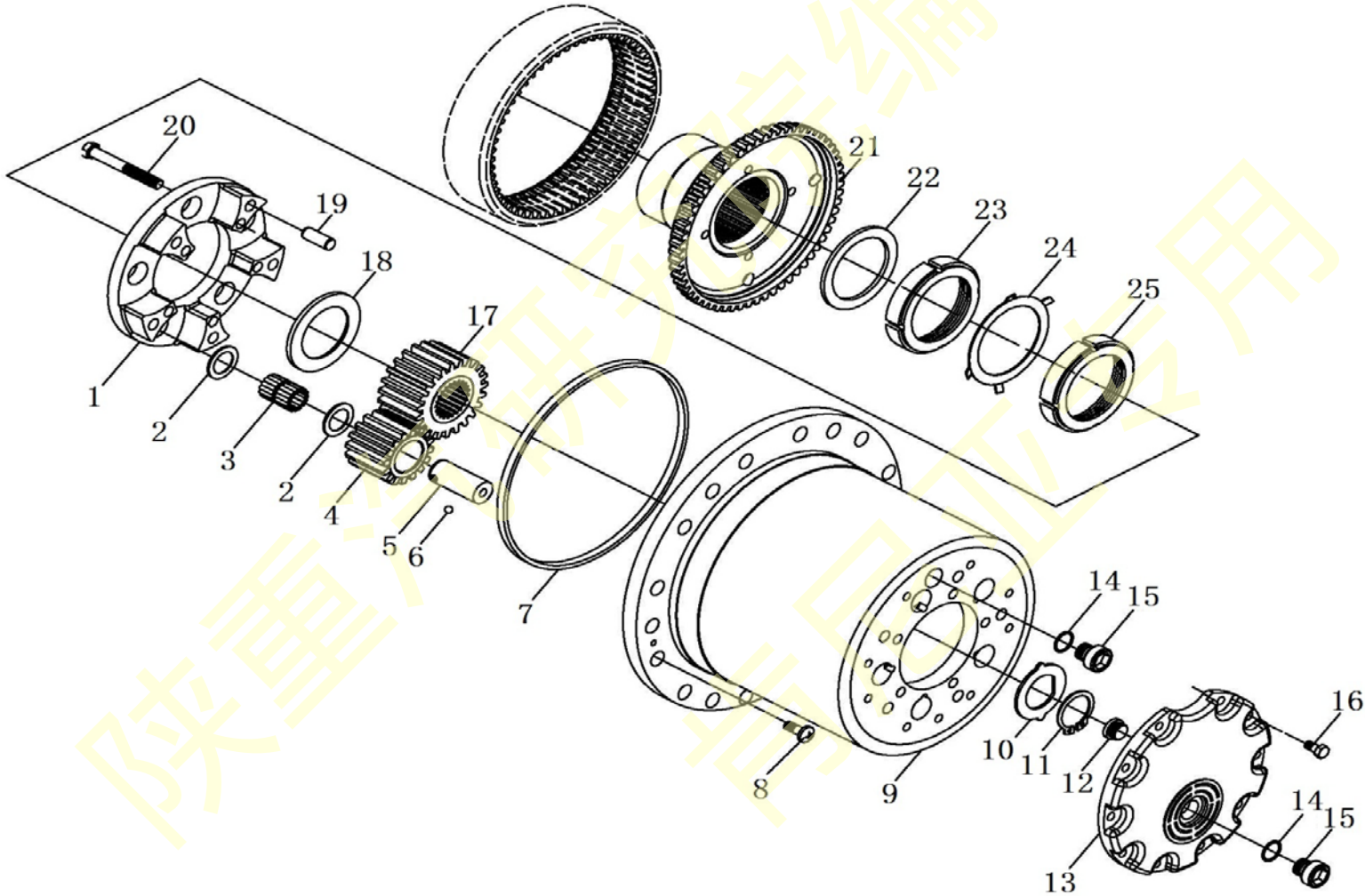
HDS300 后桥轮边 I



HDS300 后桥轮边 I

| 序号 NO | 件号 Part.No | 名称 Designation | Name | 数量 Quantity | 适用车型 Suited type | 备注 Remark |
|----------|----------------|-------------------|--------------------------|----------------|---------------------|--------------|
| 1 | DZ91129340111 | 隔圈 | Spacing collar | 2 | | |
| 2 | 199012340027 | 密封圈 | Packing ring | 2 | | |
| 3 | 30222 | 圆锥滚子轴承 | Row-steep roller bearing | 2 | | |
| 4 | DZ91129340119 | 后轮毂 | Rear wheel hub zsembly | 2 | | |
| 5 | 32222 | 圆锥滚子轴承 | Row-steep roller bearing | 2 | | |
| 6 | 188000420014 | 孔用挡圈 | Circlip for hole | 2 | | |
| 7 | 199012340121 | 内齿圈 | Inside gear ring | 2 | | |
| 8 | H150A22120BZF3 | 车轮螺栓 | Wheel bolt | 20 | | 马蹄形螺栓 |
| 9 | 190003884160 | 车轮螺母 | Wheel nut | 20 | | |
| 10 | Q150B0816 | 六角头螺栓 | Hex bolt | 20 | | |
| 11 | Q40308 | 弹簧垫圈 | Spring washer | 20 | | |
| 12 | 199012340021 | 挡油罩 | Oil baffle cap | 2 | | |
| 13 | 199012340020 | 密封垫片 | Packing ring | 2 | | |
| 14 | DZ9112340221 | 半轴（左） | Axle shaft(left) | 1 | | 用于 1860 轮距 |
| | DZ9112340222 | 半轴（右） | Axle shaft(right) | 1 | | 用于 1860 轮距 |
| 15 | DZ9112340227 | 轮毂油封（左） | Axle packing ring(L) | 1 | | 组合式油封，分左右 |
| | DZ9112340228 | 轮毂油封（右） | Axle packing ring(R) | 1 | | 组合式油封，分左右 |

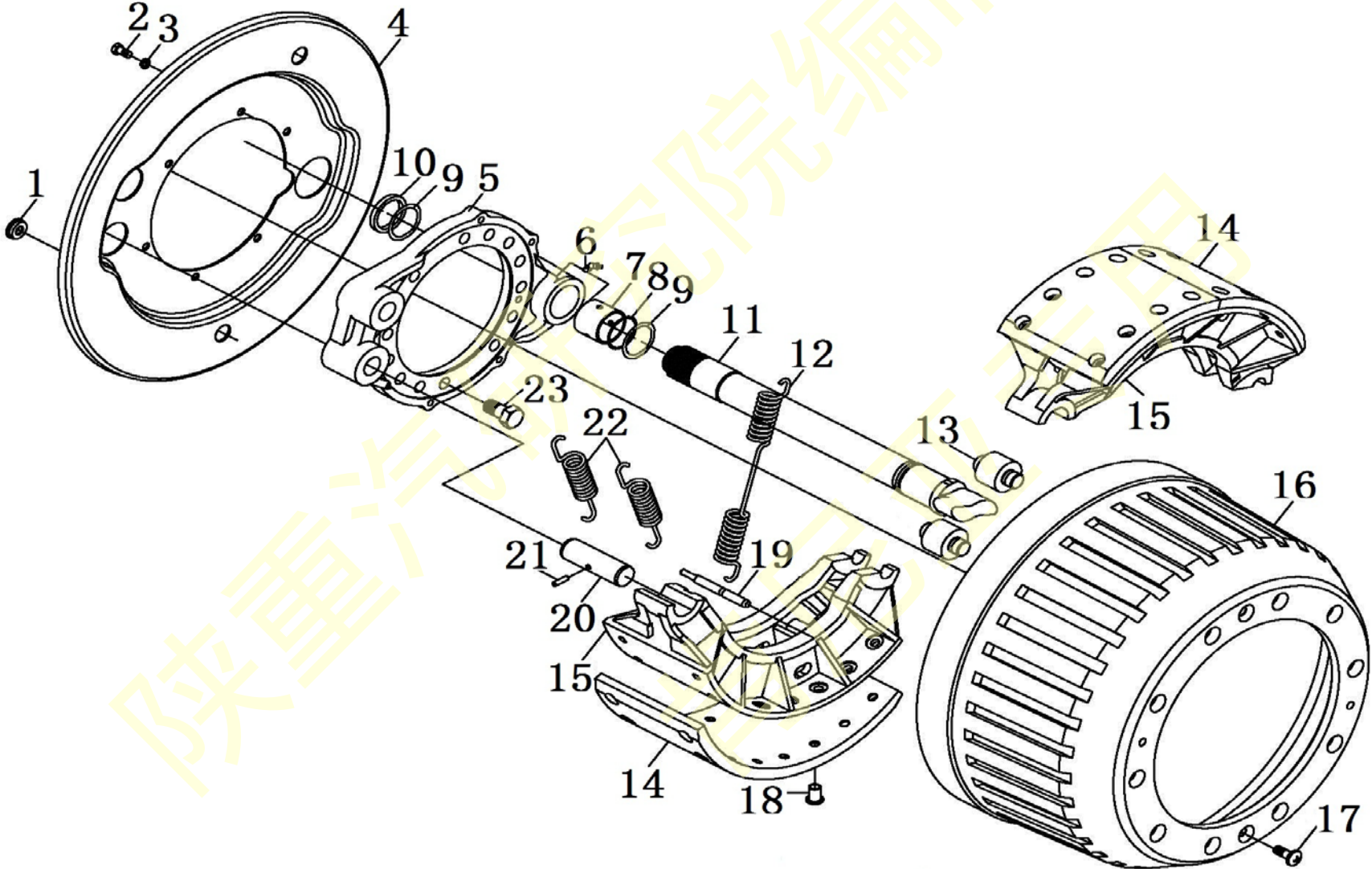
HDS300 后桥轮边 II



HDS300 后桥轮边 II

| 序号 NO | 件号 Part.No | 名称 Designation | Name | 数量 Quantity | 适用车型 Suited type | 备注 Remark |
|----------|---------------|-------------------|--------------------------|----------------|---------------------|--------------|
| 1 | 199112340018 | 行星架 | Planet shelf | 2 | | |
| 2 | HD91129340053 | 行星轮垫片 | Planet gear washer | 20 | | |
| 3 | DZ91129340090 | 滚针轴承 | Quill roller bearing | 10 | | |
| 4 | DZ91129340093 | 行星轮 | Planet gear | 10 | | |
| 5 | 199012340004 | 行星轮轴 | Planet gear axle | 10 | | |
| 6 | 190003330148 | 钢球 | Steel ball | 10 | | |
| 7 | 199012340029 | 密封圈 | Packing ring | 4 | | |
| 8 | Q2541025 | 十字槽沉头螺钉 | Silt bolt | 4 | | |
| 9 | HD91129340026 | 轮边减速器壳 | Hub reductor case | 2 | | |
| 10 | 188000410097 | 垫圈 | Washer | 2 | | |
| 11 | 190003933351 | 轴用弹性挡圈 | Circlip for axle | 2 | | |
| 12 | 199012340011 | 端盖顶销 | End cap pin | 2 | | |
| 13 | DZ91129340025 | 端盖 | End cap | 2 | | |
| 14 | 190003098026 | 密封垫圈 | Packing ring | 4 | | |
| 15 | DZ9112346116 | 圆柱头内六角螺塞 | Square head tapered plug | 4 | | |
| 16 | Q150B1014 | 六角头螺栓 | Hex bolt | 20 | | |
| 17 | 199012340005 | 太阳轮 | Central gear | 2 | | |
| 18 | 199012340076 | 太阳轮垫圈 | Central gear washer | 2 | | |
| 19 | 190003901704 | 圆柱销 | Pin | 10 | | |
| 20 | Q151C1295TF2 | 六角头螺栓 | Hex bolt | 10 | | |
| 21 | DZ91129340106 | 齿圈支架 | Gear ring bearer | 2 | | |
| 22 | 188000420033 | 齿圈座环 | Gear ring seat ring | 2 | | |
| 23 | DZ9112340215 | 锁紧螺母 | Circle nut | 2 | | |
| 24 | 168000340015 | 止推垫圈 | Stop washer | 2 | | |
| 25 | DZ9112340216 | 锁紧螺母 | Circle nut | 2 | | |

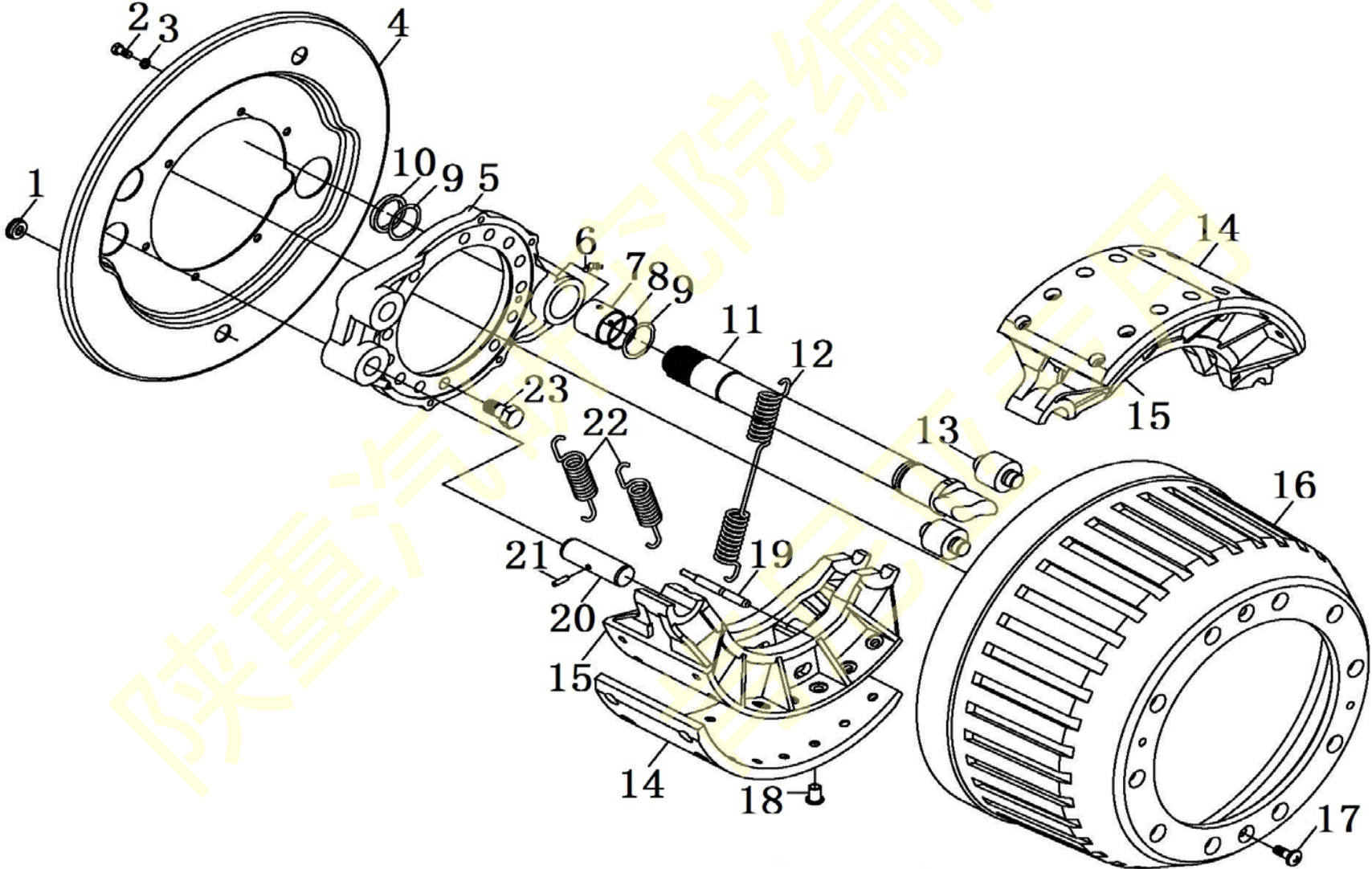
HDS300 后桥制动 I



HDS300 后桥制动 I

| 序号 NO | 件号 Part.No | 名称 Designation | Name | 数量 Quantity | 适用车型 Suited type | 备注 Remark |
|----------|---------------|-------------------|----------------------------|----------------|---------------------|---------------|
| 1 | 188000340037 | 密封塞 | Packing plug | 10 | | 带 ABS, 数量为 10 |
| | 188000340037 | 密封塞 | Packing plug | 12 | | 无 ABS, 数量为 12 |
| | 188000340037 | 密封塞 | Packing plug | 8 | | 加宽制动器, 数量为 8 |
| 2 | Q150B0816 | 六角头螺栓 | Hex bolt | 12 | | |
| 3 | Q40308 | 弹簧垫圈 | Spring washer | 12 | | |
| 4 | 199112340012 | 制动器防尘罩 | Brake prevented dust cap | 2 | | |
| 5 | 199000340062 | 制动底板 | Brake floor | 2 | | |
| 6 | 190003963114 | 米制锥螺纹滑脂嘴 | Taper thread grease nipple | 2 | | |
| 7 | 188000340017 | 衬套 | Bush | 2 | | |
| 8 | 188000340023 | O 型密封圈 | O style packing ring | 2 | | |
| 9 | 188000440010 | 附加垫片 | Washer | 4 | | |
| 10 | 190003933300 | 轴用弹性挡圈 | Circlip for axle | 2 | | |
| 11 | DZ9112340056 | 制动凸轮轴 (左) | Brake camshaft (left) | 1 | | |
| | DZ9112340057 | 制动凸轮轴 (右) | Brake camshaft (right) | 1 | | |
| 12 | 188000440012 | 回位弹簧 | Return spring | 2 | | |
| 13 | 199000340027 | 滚轮 | Roller wheel | 4 | | |
| 14 | 199000340068 | 制动摩擦片 | Brake friction plate | 8 | | |
| 15 | 199000340061 | 制动蹄 | Brake shoe | 4 | | |
| 16 | HD91129340028 | 制动鼓 | Brake drum | 2 | | |
| 17 | Q2541020 | 十字槽盘头螺钉 | Slit bolt | 4 | | |
| 18 | 189000340068 | 铆钉 | Clincher | 64 | | |
| 19 | 188000440032 | 回位弹簧销 | Pin | 4 | | |
| 20 | 199000340064 | 支销 | Pin axle | 4 | | |
| 21 | Q5280624 | 弹性圆柱销 | Elastane pin | 4 | | |
| 22 | 199112340049 | 回位弹簧 | Return spring | 4 | | |

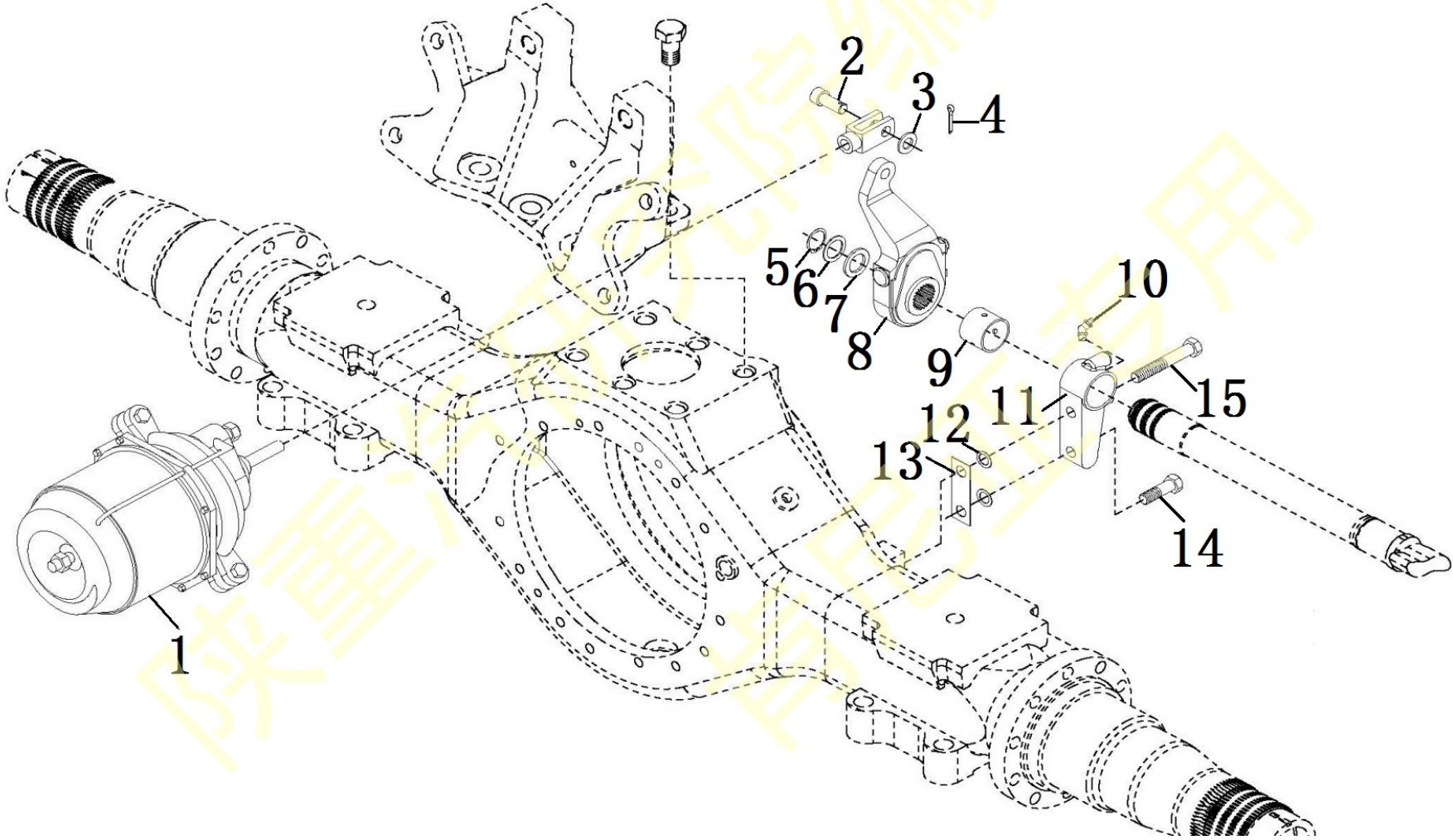
HDS300 后桥制动 I



HDS300 后桥制动 I

| 序号 NO | 件号 Part.No | 名称 Designation | Name | 数量 Quantity | 适用车型 Suited type | 备注 Remark |
|----------|------------------------------|----------------------|----------------------|----------------|---------------------|------------------------------------|
| 23 | DZ9112340372 DZ9112340372 | 内六方圆柱头螺栓 内六方圆柱头螺栓 | Hex bolt Hex bolt | 18 20 | | 铸造带 ABS, 数量为 18 铸造无 ABS, 数量为 20 |

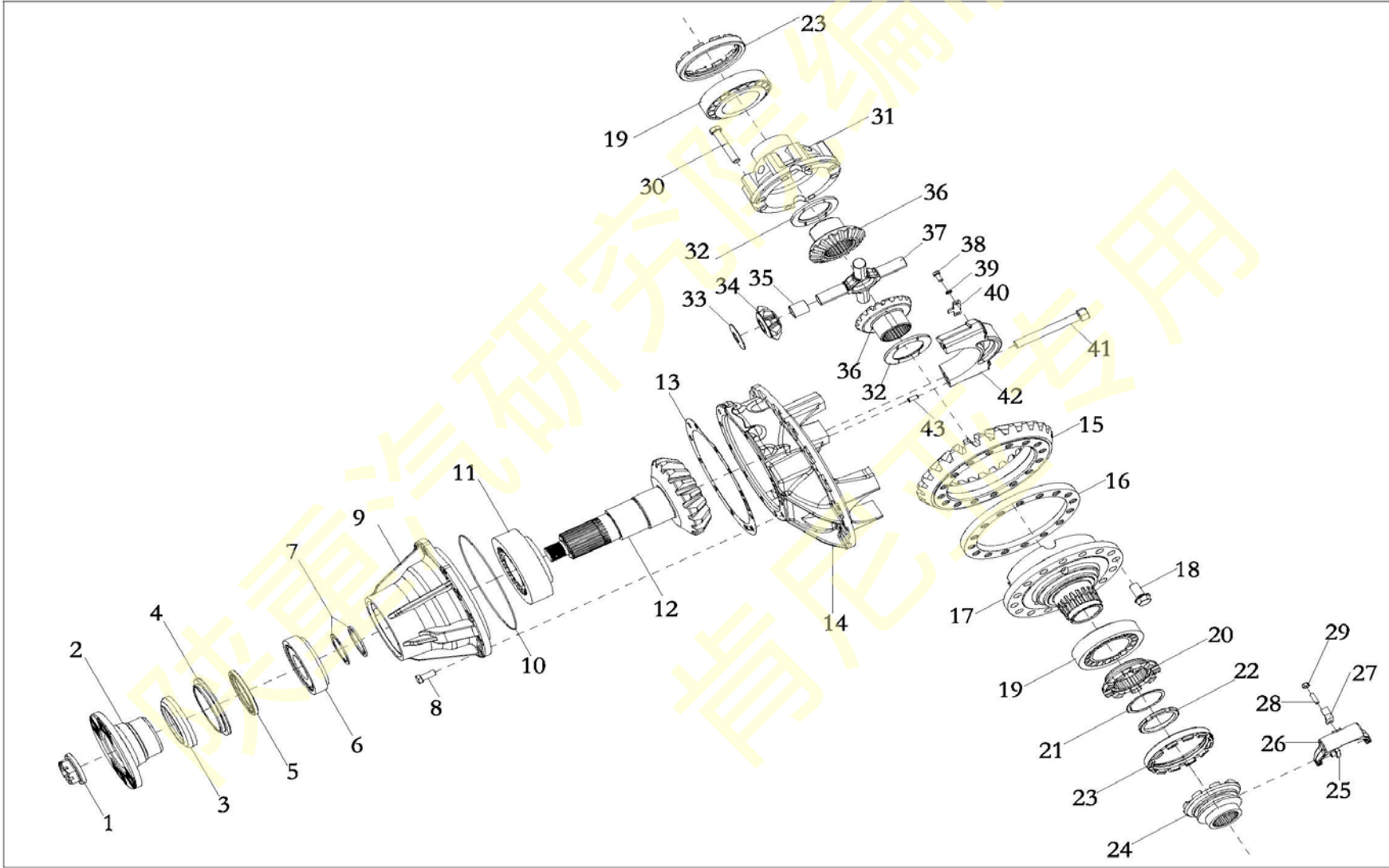
HDS300 后桥制动 II



HDS300 后桥制动 II

| 序号 NO | 件号 Part.No | 名称 Designation | Name | 数量 Quantity | 适用车型 Suited type | 备注 Remark |
|----------|---------------|-------------------|--------------------------------|----------------|---------------------|--------------|
| 1 | AZ9100368303 | 膜片式弹簧制动气室 | Diaphragm spring brake chamber | 1 | | |
| 2 | 190003903661 | 销轴 | Pin axle | 2 | | |
| 3 | Q40114 | 平垫圈 | Flat washer | 2 | | |
| 4 | Q5004025 | 开口销 | Cotter pin | 2 | | |
| 5 | Q43125 | 轴用弹性挡圈 | Circlip for axle | 2 | | |
| 6 | 108000320028 | 调整垫圈 | Adjusting washer | 按需 | | |
| | 108000320029 | 调整垫圈 | Adjusting washer | 按需 | | |
| | 108000320030 | 调整垫圈 | Adjusting washer | 按需 | | |
| | 108000320046 | 调整垫圈 | Adjusting washer | 按需 | | |
| 7 | 188000340022 | 垫圈 | Washer | 2 | | |
| 8 | 199000340056 | 间隙调整臂总成(左) | Automatic ga adjusting (left) | 1 | | 手调臂用 |
| | 199000340057 | 间隙调整臂总成(右) | Automatic ga adjusting(right) | 1 | | 手调臂用 |
| 9 | 188000340017 | 衬套 | Bush | 2 | | |
| 10 | 190003963114 | 米制锥螺纹滑脂嘴 | Taper thread grease nipple | 2 | | |
| 11 | 199014340041 | 凸轮轴支架 | Camshaft bearer | 2 | | |
| 12 | 138090470031 | 调整垫片 | Adjusting washer | 按需 | | |
| | 138090470032 | 调整垫片 | Adjusting washer | 按需 | | |
| | 138090470033 | 调整垫片 | Adjusting washer | 按需 | | |
| 13 | 188000340031 | 调整垫片 | Adjusting washer | 按需 | | |
| | 188000340032 | 调整垫片 | Adjusting washer | 按需 | | |
| | 188000340033 | 调整垫片 | Adjusting washer | 按需 | | |
| | 188000340034 | 调整垫片 | Adjusting washer | 按需 | | |
| 14 | Q151B1440 | 六角头螺栓 | Hex bolt | 2 | | 手调臂用 |
| 15 | Q151B1490 | 六角头螺栓 | Hex bolt | 2 | | |

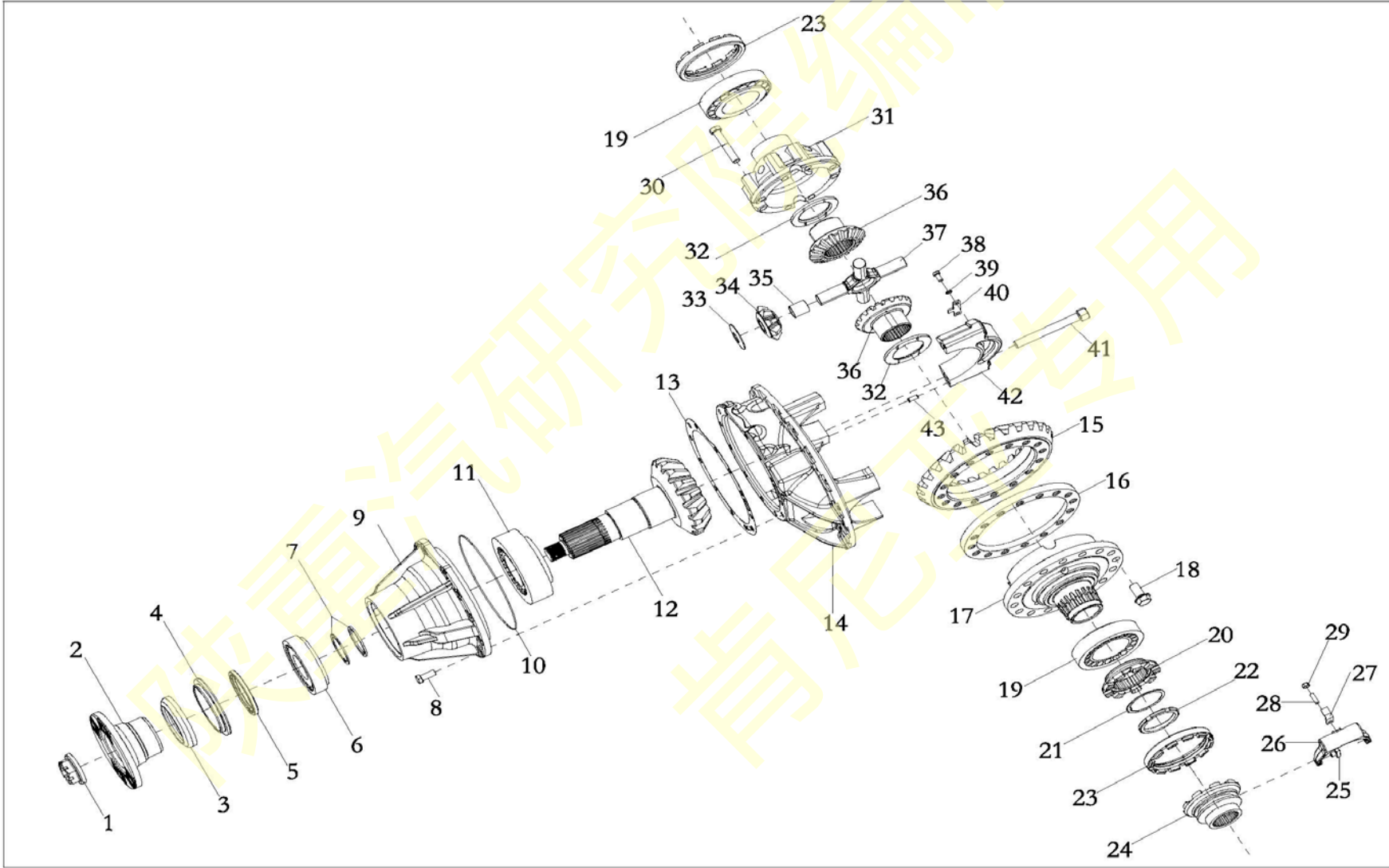
HDS300 后桥主减



HDS300 后桥主减

| 序号 NO | 件号 Part.No | 名称 Designation | Name | 数量 Quantity | 适用车型 Suited type | 备注 Remark |
|----------|---------------|-------------------|--------------------------|----------------|---------------------|----------------------|
| 1 | DZ91129320007 | 凸缘螺母 | Flange nut | 1 | | |
| 2 | DZ9112320632 | 凸缘 (Φ 180 端面齿) | Flange | 1 | | Φ 180 端面齿 |
| 3 | 179000320012 | 防尘罩 | Prevented dust cap | 1 | | |
| 4 | 199012320121 | 环 | Ring | 1 | | |
| 5 | DZ9112320920 | 主减油封 | Axle packing ring | 1 | | 组合式油封 |
| 6 | 30312 | 圆锥滚子轴承 | Row-steep roller bearing | 1 | | |
| 7 | 188000320002 | 调整垫片 | Adjusting washer | 按需 | | |
| | 188000320003 | 调整垫片 | Adjusting washer | 按需 | | |
| | 188000320004 | 调整垫片 | Adjusting washer | 按需 | | |
| | 188000320005 | 调整垫片 | Adjusting washer | 按需 | | |
| | 188000320006 | 调整垫片 | Adjusting washer | 按需 | | |
| | 188000320007 | 调整垫片 | Adjusting washer | 按需 | | |
| | 188000320008 | 调整垫片 | Adjusting washer | 按需 | | |
| | 188000320009 | 调整垫片 | Adjusting washer | 按需 | | |
| | 188000320010 | 调整垫片 | Adjusting washer | 按需 | | |
| | 188000320011 | 调整垫片 | Adjusting washer | 按需 | | |
| | 188000320012 | 调整垫片 | Adjusting washer | 按需 | | |
| | 188000320013 | 调整垫片 | Adjusting washer | 按需 | | |
| | 188000320014 | 调整垫片 | Adjusting washer | 按需 | | |
| | 188000320015 | 调整垫片 | Adjusting washer | 按需 | | |
| 8 | Q150B1230TF2 | 六角头螺栓 | Hex bolt | 12 | | |
| 9 | 199012320131 | 轴承座 | Bearing seat | 1 | | 用于 i=4.42、4.8 |
| | 199012320103 | 轴承座 | Bearing seat | 1 | | 用于 i=5.73、6.72、7.49、 |
| 10 | 199012320133 | 密封圈 | Packing ring | 1 | | 9.49、11.98 |

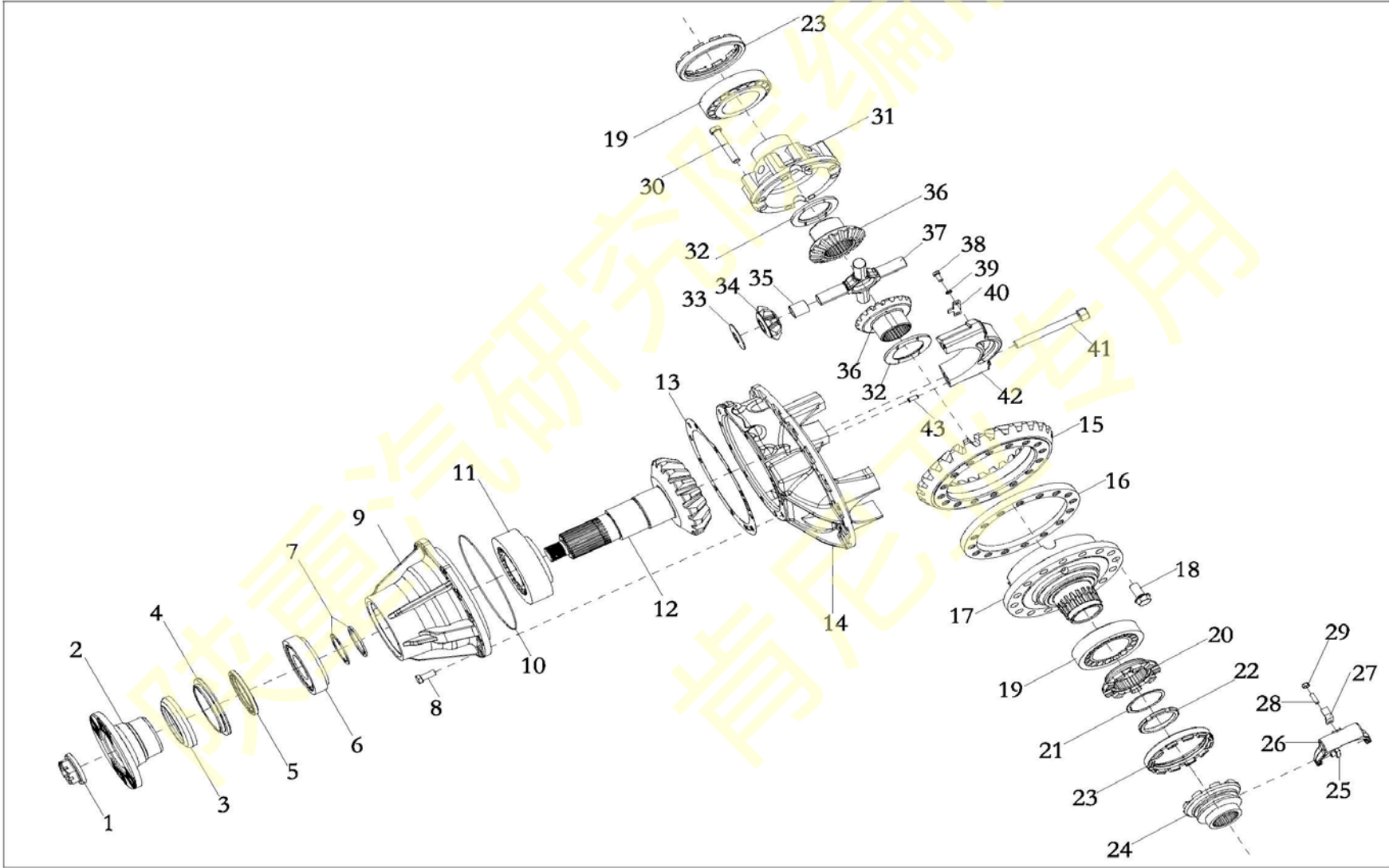
HDS300 后桥主减



HDS300 后桥主减

| 序号 NO | 件号 Part.No | 名称 Designation | Name | 数量 Quantity | 适用车型 Suited type | 备注 Remark |
|----------|---------------|-------------------|-----------------------------|----------------|---------------------|--------------------------------|
| 11 | 32316 | 圆锥滚子轴承 | Row-steep roller bearing | 1 | | 用于 i=4.42、4.8 |
| | 32315 | 圆锥滚子轴承 | Row-steep roller bearing | 1 | | 用于 i=5.73、6.72、7.49、9.49、11.98 |
| 12 | DZ9112320626 | 主动圆锥齿轮 | Bevel drive gear | 1 | | 用于 i=4.42 |
| | DZ9112320622 | 主动圆锥齿轮 | Bevel drive gear | 1 | | 用于 i=4.8 |
| | DZ9112320620 | 主动圆锥齿轮 | Bevel drive gear | 1 | | 用于 i=5.73 |
| | DZ9112320621 | 主动圆锥齿轮 | Bevel drive gear | 1 | | 用于 i=6.72 |
| | DZ9112320623 | 主动圆锥齿轮 | Bevel drive gear | 1 | | 用于 i=7.49 |
| | DZ9112320625 | 主动圆锥齿轮 | Bevel drive gear | 1 | | 用于 i=9.49 |
| | DZ9112320723 | 主动圆锥齿轮 | Bevel drive gear | 1 | | 用于 i=11.98 |
| 13 | 199012320173 | 调整垫片 | Adjusting washer | 按需 | | |
| | 199012320174 | 调整垫片 | Adjusting washer | 按需 | | |
| | 199012320175 | 调整垫片 | Adjusting washer | 按需 | | |
| | 199012320176 | 调整垫片 | Adjusting washer | 按需 | | |
| 14 | DZ91149320001 | 主减速器壳 | Main speed reducer case | 1 | | |
| 15 | 199112320001 | 从动锥齿轮 | Bevel gear | 1 | | 用于 i=4.42 |
| | 199012320125 | 从动锥齿轮 | Bevel gear | 1 | | 用于 i=4.8 |
| | 199012320035 | 从动锥齿轮 | Bevel gear | 1 | | 用于 i=5.73 |
| | 199012320037 | 从动锥齿轮 | Bevel gear | 1 | | 用于 i=6.72 |
| | 199012320006 | 从动锥齿轮 | Bevel gear | 1 | | 用于 i=7.49 |
| | 199012320013 | 从动锥齿轮 | Bevel gear | 1 | | 用于 i=9.49 |
| | DZ9112320724 | 从动锥齿轮 | Bevel gear | 1 | | 用于 i=11.98 |
| 16 | AZ9112320153 | 衬环 | Differential case washer | 1 | | 用于 i=7.49、9.49、11.98 |
| 17 | HD91129320046 | 差速器壳(左) | Differential housing (left) | 1 | | 用于 i=4.42、4.8 |
| | HD91129320042 | 差速器壳(左) | Differential housing (left) | 1 | | 用于 i=5.73、6.72 |
| | HD91129320059 | 差速器壳(左) | Differential housing (left) | 1 | | 用于 i=7.49、9.49、11.98 |

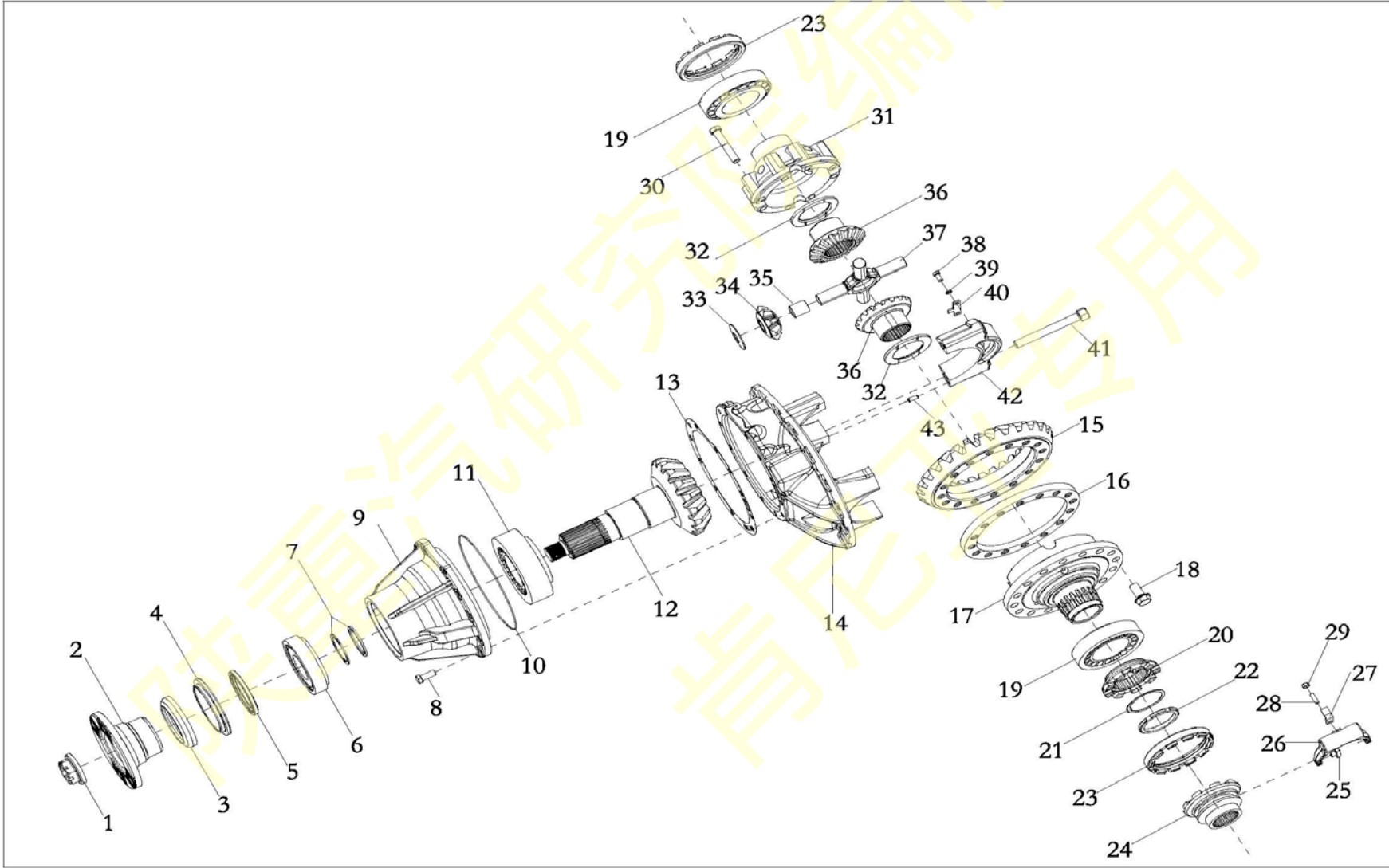
HDS300 后桥主减



HDS300 后桥主减

| 序号 NO | 件号 Part.No | 名称 Designation | Name | 数量 Quantity | 适用车型 Suited type | 备注 Remark |
|----------|---------------|-------------------|----------------------------|----------------|---------------------|----------------------|
| 18 | DZ9114320013 | 六角法兰面承面带齿螺栓 | Hex bolt | 16 | | 用于 i=4.42、4.8、5.73 |
| | DZ9114320011 | 六角法兰面承面带齿螺栓 | Hex bolt | 16 | | 用于 i=6.72 |
| | DZ9114320012 | 六角法兰面承面带齿螺栓 | Hex bolt | 16 | | 用于 i=7.49、9.49、11.98 |
| 19 | 32216 | 圆锥滚子轴承 | Row-steep roller bearing | 2 | | |
| 20 | 138090320155 | 固定啮合套 | Fixed engage cowl | 1 | | 差速锁用 |
| 21 | 138090320158 | 锁止垫片 | Locking washer | 1 | | 差速锁用 |
| 22 | 138090320157 | 圆螺母 | Circle nut | 1 | | 差速锁用 |
| 23 | 138090320159 | 差速器调整螺母 | Differential adjusting nut | 2 | | |
| 24 | 138090320156 | 滑动啮合套 | Sliding engage cowl | 1 | | 差速锁用 |
| 25 | 118000320077 | 拨叉活动块 | Sliding block | 2 | | 差速锁用 |
| 26 | 199012320014 | 拨叉 | Declutch shift | 1 | | 差速锁用 |
| 27 | 199012320023 | 弯板 | Bend plate | 1 | | 差速锁用 |
| 28 | Q2800825 | 开槽锥端紧定螺钉 | Slit nut | 1 | | 差速锁用 |
| 29 | Q340B08 | I 型六角螺母 | Hex nut | 1 | | 差速锁用 |
| 30 | Q151B1480TF2 | 六角头螺栓 | Hex bolt | 8 | | |
| 31 | HD91129320043 | 差速器壳 (右) | Differential case (right) | 1 | | |
| 32 | HD90129320132 | 调整垫片 | Adjusting washer | 选用 | | |
| | HD90129320133 | 调整垫片 | Adjusting washer | 选用 | | |
| | HD90129320134 | 调整垫片 | Adjusting washer | 选用 | | |
| | HD90129320135 | 调整垫片 | Adjusting washer | 选用 | | |
| | HD90129320136 | 调整垫片 | Adjusting washer | 选用 | | |
| 33 | HD90129320120 | 行星齿轮垫片 | Planet gear washer | 4 | | |
| 34 | DZ90129320003 | 行星齿轮 | Planet gear | 4 | | |
| 35 | HD90129320121 | 行星齿轮衬套 | Planet gear bush | 4 | | |
| 36 | 199012320009 | 半轴齿轮 | Axle shaft gear | 2 | | |

HDS300 后桥主减

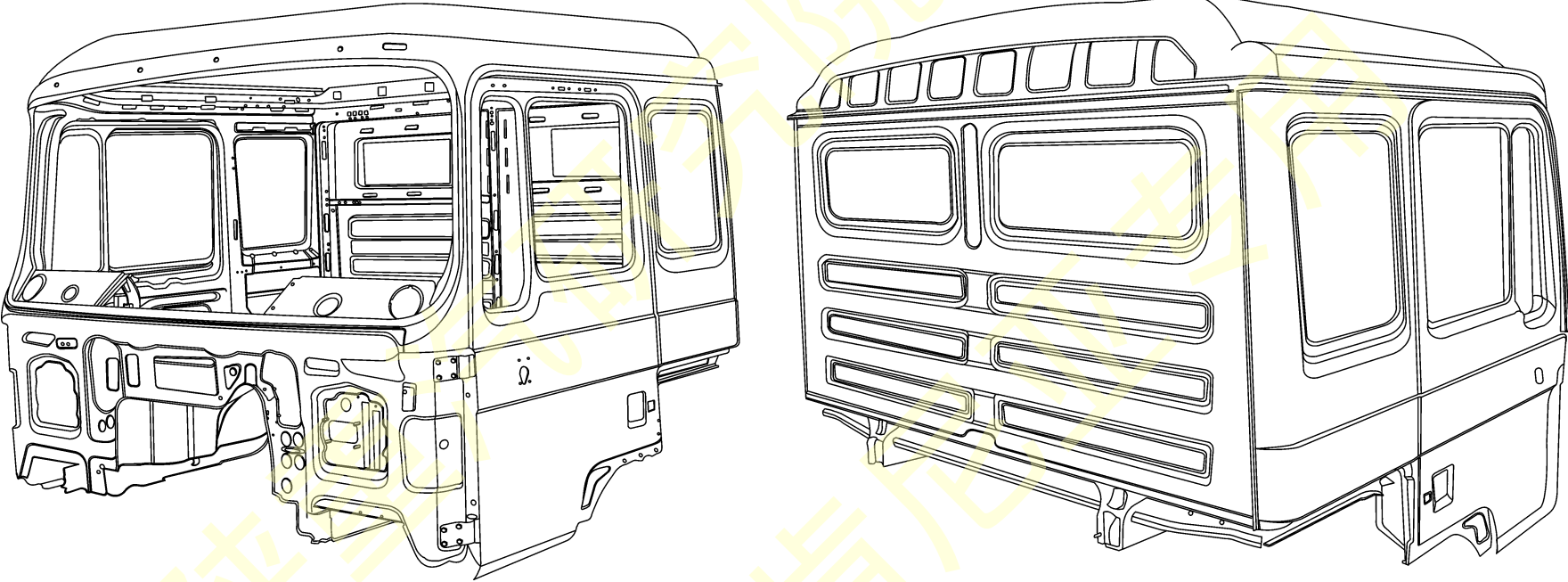


HDS300 后桥主减

| 序号 NO | 件号 Part.No | 名称 Designation | Name | 数量 Quantity | 适用车型 Suited type | 备注 Remark |
|----------|---------------|-------------------|----------------------------|----------------|---------------------|--------------|
| 37 | DZ90129320000 | 十字轴 | cross axle | 1 | | |
| 38 | Q150B0816 | 六角头螺栓 | Hex bolt | 4 | | |
| 39 | Q40308 | 弹簧垫圈 | Spring washer | 4 | | |
| 40 | DZ9112320083 | 止动片 | Stop piece | 2 | | |
| 41 | DZ90001500007 | 六角法兰面承面带齿螺栓 | Hex bolt | 4 | | |
| 42 | DZ9112320002 | 差速器轴承盖 | Differential bearing cover | 2 | | |
| 43 | Q5210820 | 圆柱销 | Pin | 4 | | |

驾驶室本体及内饰 The cab ontology and interior

F2000D 驾驶室焊接总成 CAB WELDING ASSY

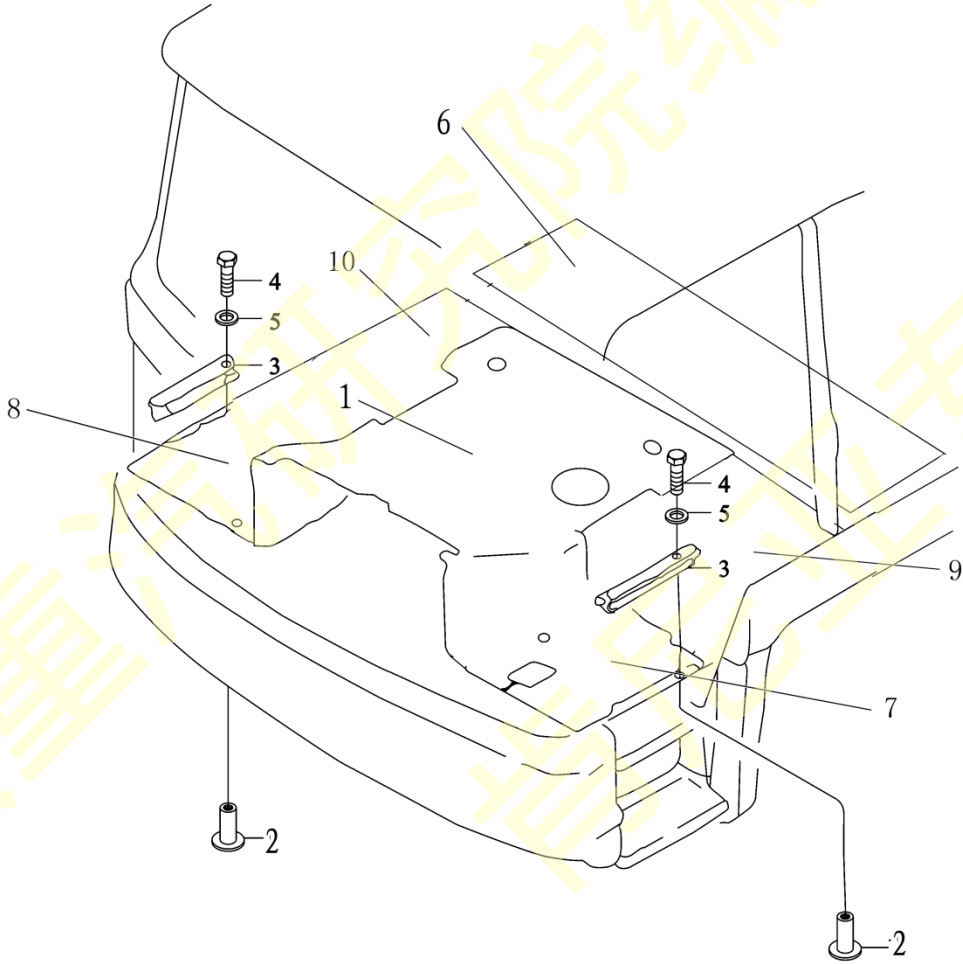


F2000D 驾驶室焊接总成 CAB WELDING ASSY

| 序号 NO | 件号 Part.No | 名称 Designation | Name | 数量 Quantity | 适用车型 Suited type | 备注 Remark |
|----------|---------------|---|------------------|----------------|---------------------|--------------|
| 1 | DC13241103754 | F2000 右置 D 驾驶室本体 /非牵引/10 内饰/带后窗/ 无天窗/软轴 | CAB WELDING ASSY | 1 | F2000D | |

驾驶室内饰部件 Cab interior components

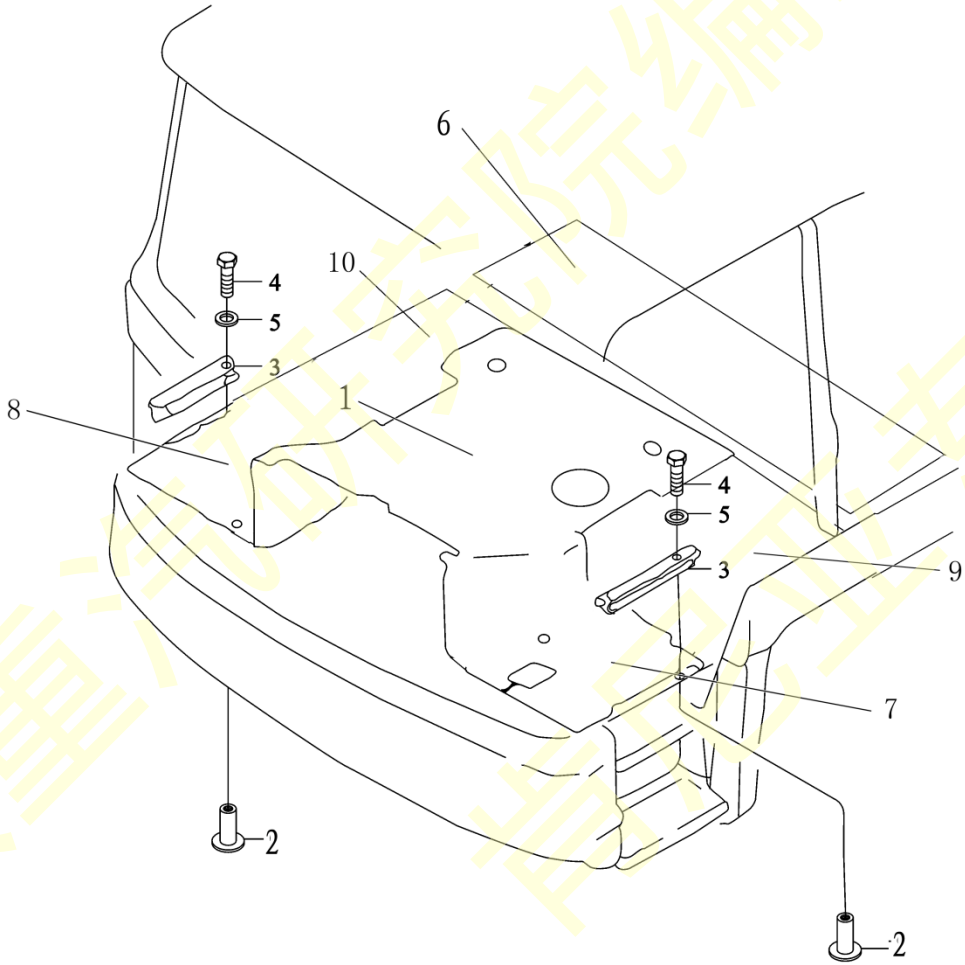
前地板垫和防滑条 FLOOR MATS FRONT AND ANTI-SKID STRIP



前地板垫和防滑条 FLOOR MATS FRONT AND ANTI-SKID STRIP

| 序号 NO | 件号 Part.No | 名称 Designation | Name | 数量 Quantity | 适用车型 Suited type | 备注 Remark |
|----------|---------------|-------------------------------|--|----------------|---------------------|-------------------------|
| 1 | DZ13241620012 | 发动机罩垫(右置车) | Floor mat wide | 1 | | 右置 D 驾驶室 |
| | DZ13241620033 | 发动机罩垫(右置车) | Floor mat wide | 1 | | 右置 N/J 驾驶室 |
| | DZ13241621202 | 发动机罩垫(右置车 /AMT) | Floor mat wide | 1 | | 右置/AMT N/J 驾驶室选用 |
| | DZ13241621204 | 发动机罩垫/右置/换挡 孔前移 240 | Floor mat wide | 1 | | 右置/换挡孔前移 240 选用 |
| | DZ13241621201 | 发动机罩垫/右置/换挡 孔前移 50 | Floor mat wide | 1 | | 右置/换挡孔前移 50 选用 |
| | DZ13241621203 | 整体式前地板垫/右置/换 挡孔前移 50/灭火器支架 | Floor mat wide | | | 右置/换挡孔前移 50/灭火器支架 选用 |
| 2 | 06.13169.0012 | 铆接螺母 | Blind rivet nut | 6 | | |
| 3 | 81.61510.0137 | 防滑条 | Anti-skid strip | 2 | | |
| 4 | Q2140616 | 十字槽盘头螺钉 | Pan-head screw | 6 | | |
| 5 | Q402B06 | 大垫圈 | Washer | 6 | | |
| 6 | DZ13241620022 | 发动机后罩垫 | Floor mat rear | 1 | | 右置 D 驾驶室(高通道无此部件) |
| | DZ13241620034 | 发动机后罩垫 | Floor mat rear | 1 | | 右置 N/J 驾驶室(高通道无此部件) |
| | DZ13241620071 | 发动机后罩垫(右置、自动 变速器) | Floor mat rear(right side、 automatic gearbox) | 1 | | 自动变速器选用 |
| 7 | DZ13241620031 | 左前宽地板垫(右置车) | Left head wide floor mat | 1 | | |
| 8 | DZ13241620032 | 右前宽地板垫(右置车) | Right head wide floor mat | 1 | | |
| 9 | DZ13241620017 | 左后地板垫 | Left back floor mat | 1 | | 右置 D 驾驶室 |
| 9 | DZ13241620027 | 左后地板垫(右置 灭火器 支架) | Left back floor mat | 1 | | 右置 D 驾驶室(灭火器支架) |

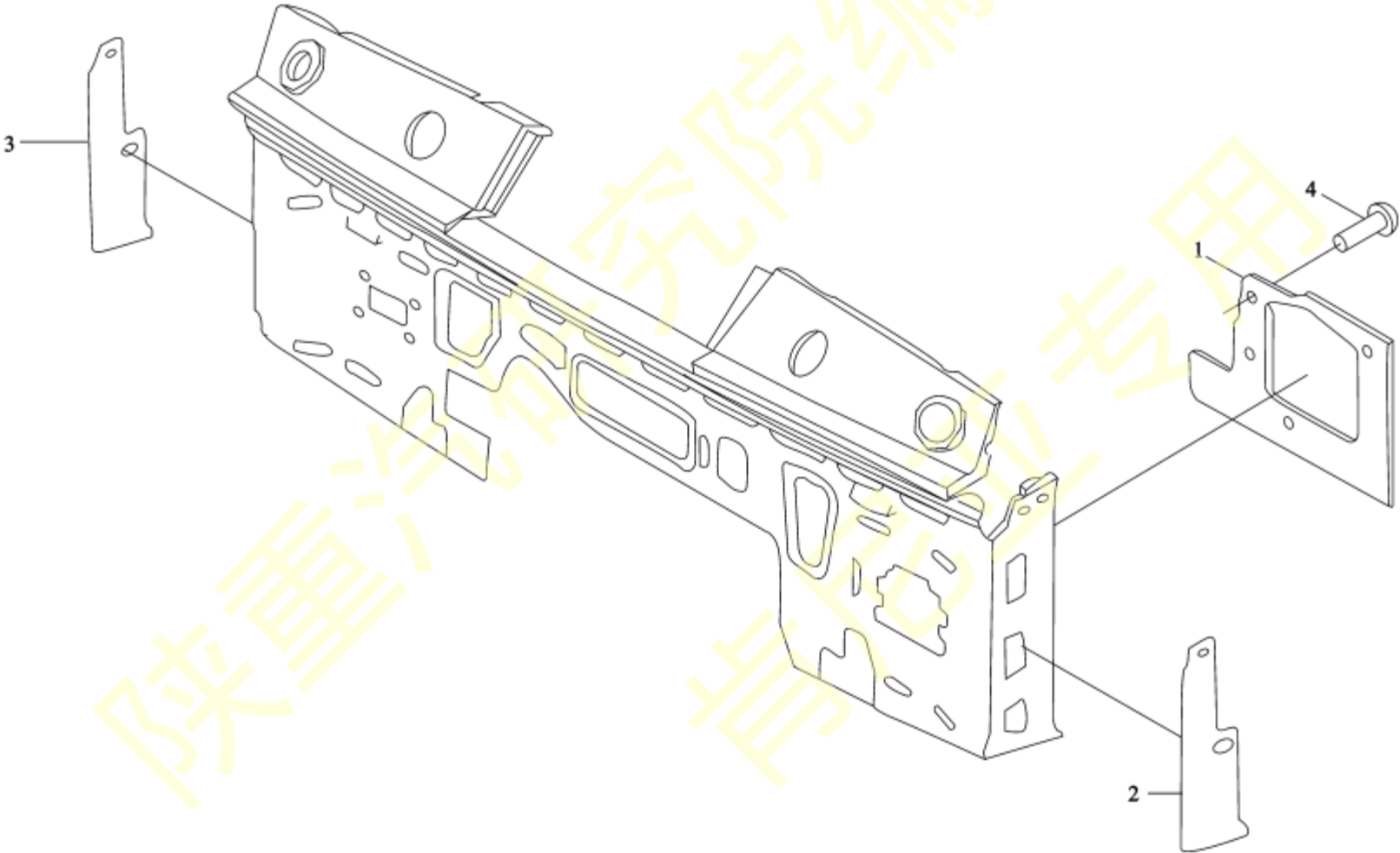
前地板垫和防滑条 FLOOR MATS FRONT AND ANTI-SKID STRIP



前地板垫和防滑条 FLOOR MATS FRONT AND ANTI-SKID STRIP

| 序号 NO | 件号 Part.No | 名称 Designation | Name | 数量 Quantity | 适用车型 Suited type | 备注 Remark |
|----------|---------------|-------------------|----------------------|----------------|---------------------|--------------|
| 9 | DZ13241620035 | 左后地板垫 | Left back floor mat | 1 | | 右置 N/J 驾驶室 |
| 10 | DZ13241620018 | 右后地板垫 | Right back floor mat | 1 | | 右置 D 驾驶室 |
| | DZ13241620036 | 右后地板垫 | Right back floor mat | 1 | | 右置 N/J 驾驶室 |

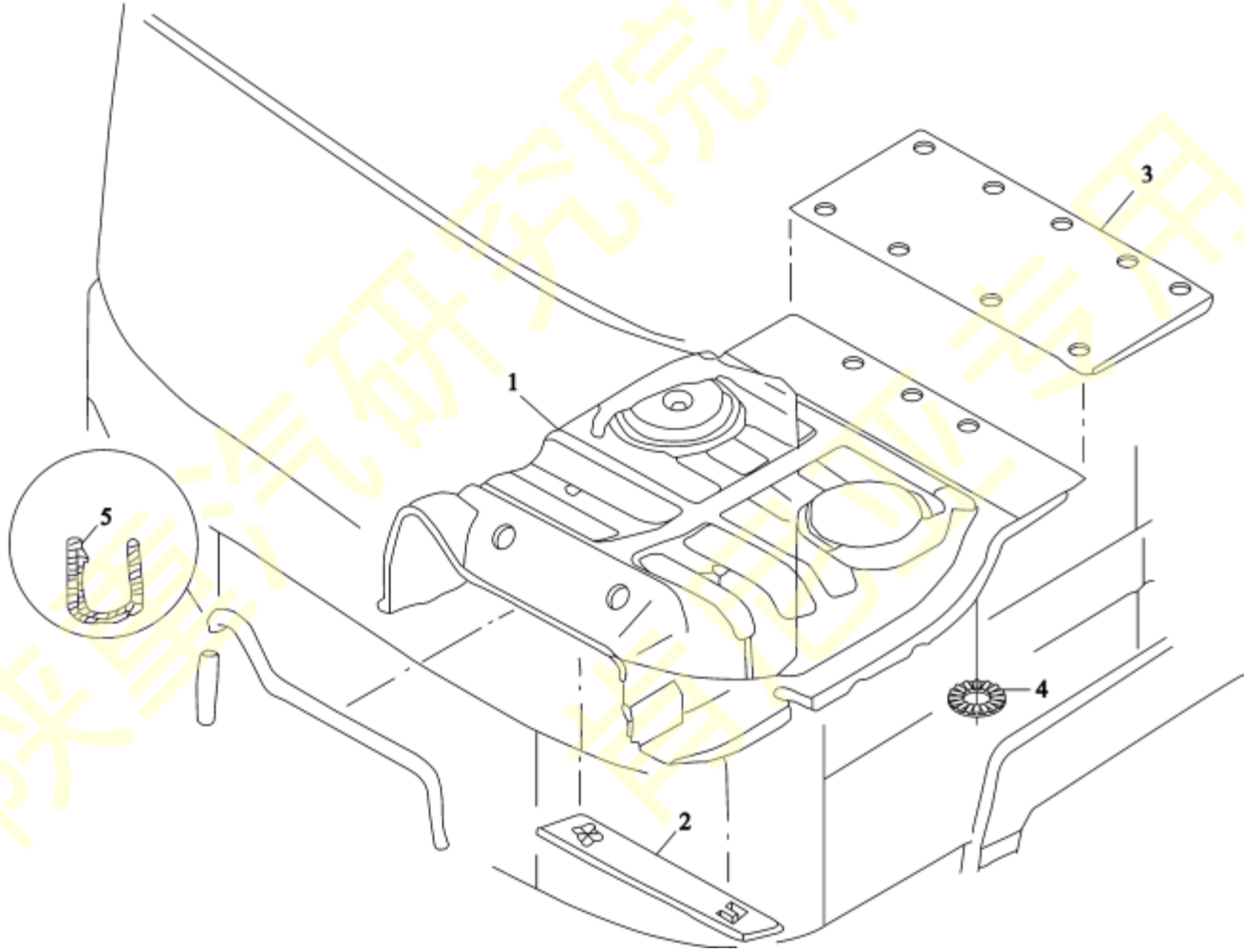
仪表板镶板 DASHBOARD PANELLING



仪表板镶板 DASHBOARD PANELLING

| 序号 NO | 件号 Part.No | 名称 Designation | Name | 数量 Quantity | 适用车型 Suited type | 备注 Remark |
|----------|----------------|-------------------|---------------------------------|----------------|---------------------|---------------------|
| 1 | 81.61470.21668 | 左前隔音板 | Panelling for front panel left | 1 | | |
| 2 | 1.61470.4005 | 左立柱隔音板 | Panelling for front panel left | 1 | | |
| 3 | 81.61470.4006 | 右立柱隔音板 | Panelling for front panel right | 1 | | |
| 4 | 06.24249.0007 | 塑料开尾铆钉 | Rivet | 4 | | 7×3×17.5-4-PA6.6-SW |

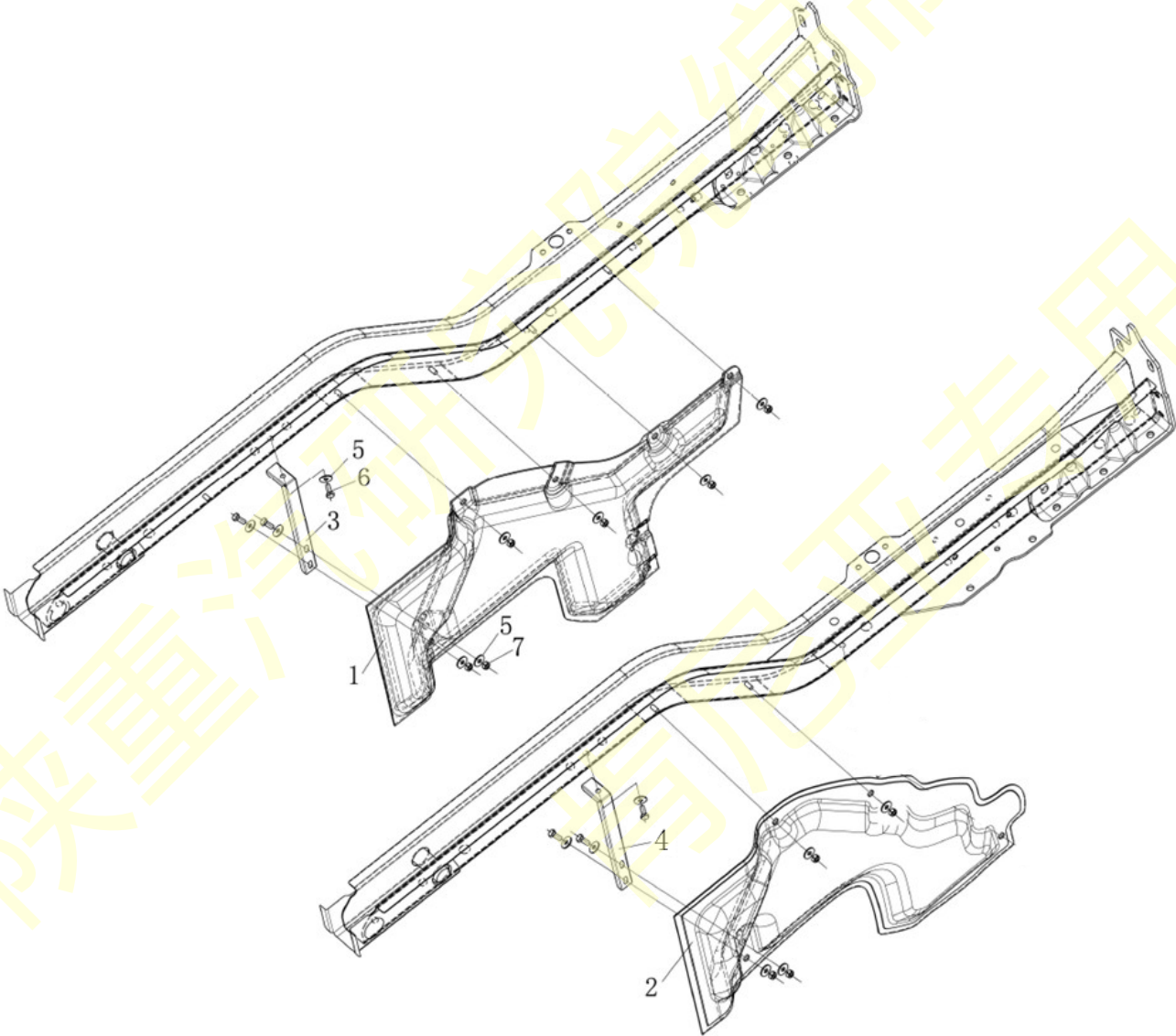
发动机下隔热垫 ENGINE COWLING INSULATION



发动机下隔热垫 ENGINE COWLING INSULATION

| 序号 NO | 件号 Part.No | 名称 Designation | Name | 数量 Quantity | 适用车型 Suited type | 备注 Remark |
|----------|---------------|-------------------|--------------------------------|----------------|---------------------|-----------------|
| 1 | DZ1642690014 | 发动机罩下隔热板 | Engine cowling insulation | 1 | | |
| 2 | 81.61370.5006 | 护板 | Anti-wear strip assembly | 1 | | |
| 3 | DZ1644690011 | 发动机后隔热板 | Engine cowling insulation rear | 1 | | |
| 4 | 81.90820.0340 | 锁止垫圈 | Lock washer | 36 | | 5-22-X12CRNI177 |
| 5 | DZ1644690031 | 前围镶条 | Anti-collision strip | 1 | | |
| | DZ1644690032 | 前围镶条 | Anti-collision strip | 1 | | |

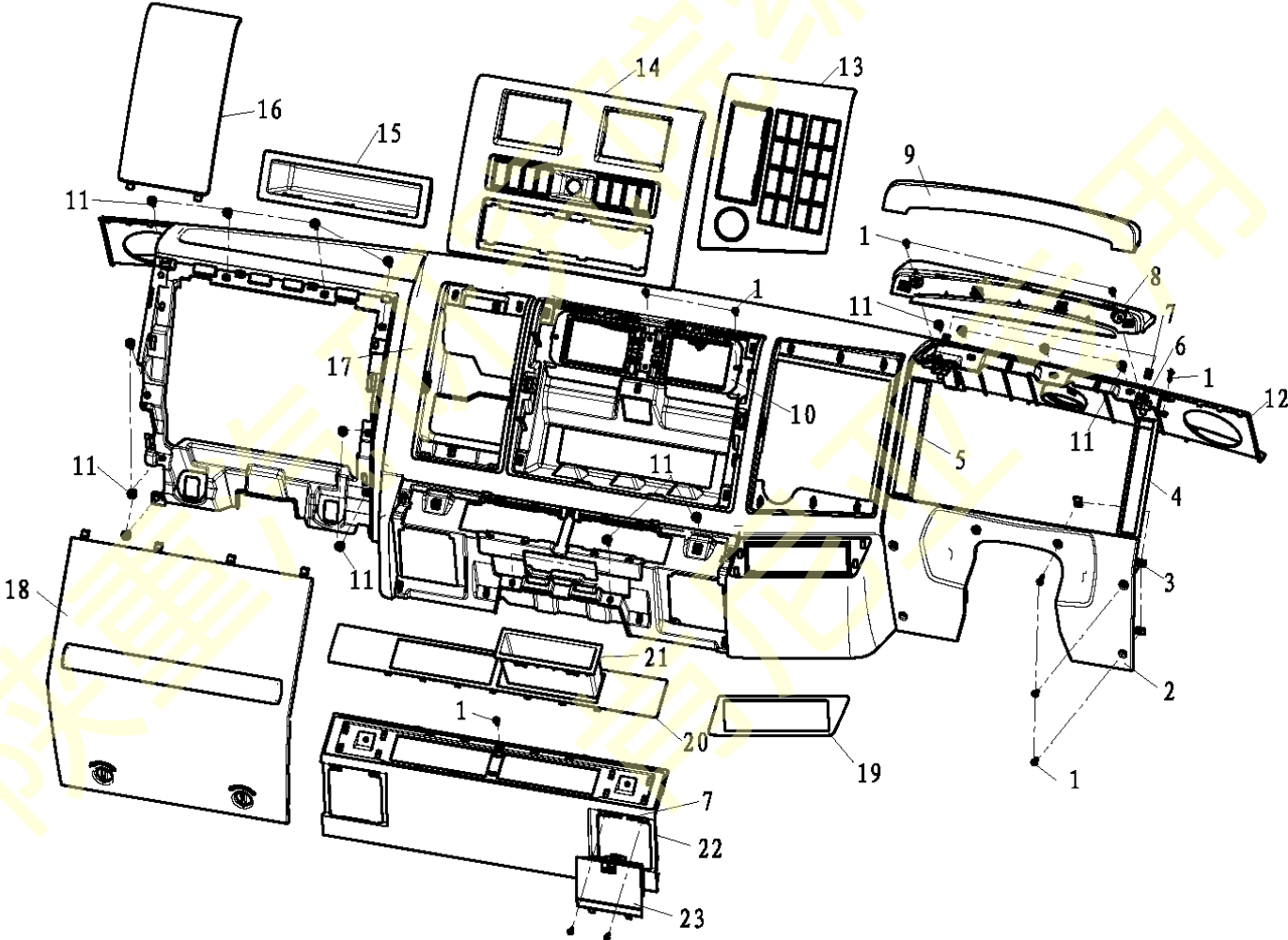
驾驶室隔声板 NOISE INSULATION CAB



驾驶室隔声板 NOISE INSULATION CAB

| 序号 NO | 件号 Part.No | 名称 Designation | Name | 数量 Quantity | 适用车型 Suited type | 备注 Remark |
|----------|---------------|-------------------|------------------------------|----------------|---------------------|--------------|
| 1 | DZ1642690021 | F2000 左隔音板 | sound insulation board left | 1 | | |
| 2 | DZ13241690012 | F2000 右隔音板 | sound insulation board right | 1 | | |
| 3 | 81.19220.0684 | 支架 | Bracket | 1 | | |
| 4 | DZ13241690011 | 隔音板支架 | Bracket | 1 | | |
| 5 | Q40208 | 大垫圈 | Washer | 22 | | |
| 6 | Q150B0820 | 六角头螺栓 | Hex bolt | 9 | | |
| 7 | Q33408 | I 型全金属六角锁紧螺母 | Washer | 12 | | |

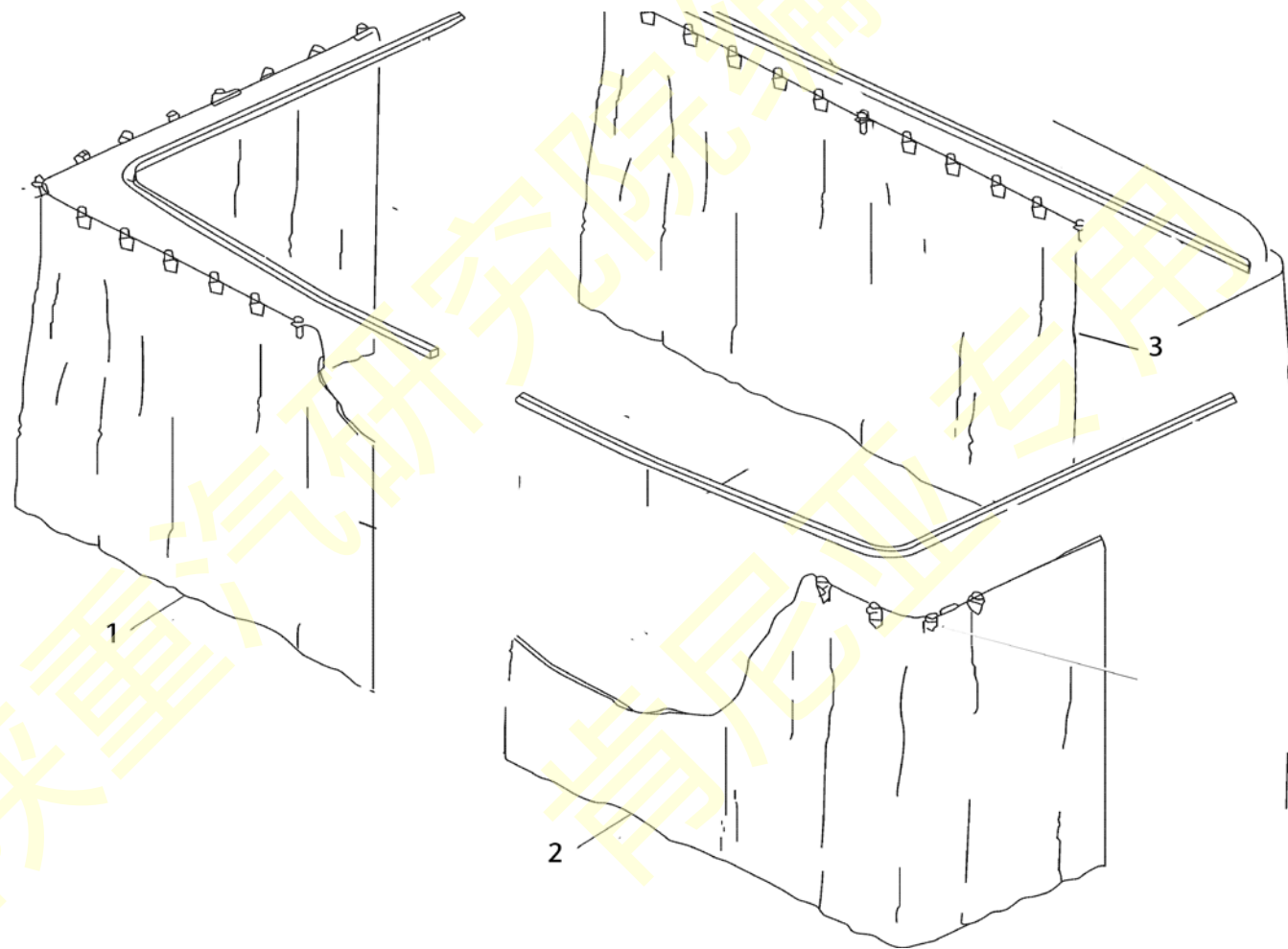
仪表板 DASHBOARD



仪表板 DASHBOARD

| 序号 NO | 件号 Part.No | 名称 Designation | Name | 数量 Quantity | 适用车型 Suited type | 备注 Remark |
|----------|---------------|--------------------|------------------------------|----------------|---------------------|--------------|
| 1 | Q2204219 | 十字槽盘头螺钉和平垫圈 组合件 | Oval-head self-tapping screw | 19 | | |
| 2 | DZ13241161002 | 下护盖 | Covering lower | 1 | | |
| 3 | 06.13189.0099 | 簧片螺母 | Speed nut | 23 | | |
| 4 | DZ13241161017 | 左组合仪表装饰件 | Cover plate center part | 1 | | |
| 5 | DZ13241161018 | 右组合仪表装饰件 | Cover plate center part | 1 | | |
| 6 | DZ13241161203 | 护盖支架 | Bracket | 2 | | |
| 7 | DZ13241161114 | 簧片螺母 | Speed nut | 12 | | |
| 8 | DZ13241161521 | 右上护盖 | Covering upper | 1 | | |
| 9 | DZ13241161522 | 右上护盖装饰板 | Cover plate center part | 1 | | |
| 10 | DZ13241161004 | 中间出风口支架 | Bracket | 1 | | |
| 11 | Q2214819 | 十字槽盘头螺钉和大垫圈 组合件 | Oval-head self-tapping screw | 26 | | |
| 12 | DZ13241161510 | 右盖板总成 | Covering assembly right | 1 | | |
| 13 | DZ93189583611 | 开关板总成 | Trim center part | 1 | | |
| 14 | DZ13241163006 | 中间空调护面 | Trim center part | 6 | | |
| 15 | DZ13241161007 | 大杂物盒 | Shelf | 1 | | |
| 16 | DZ13241163009 | 中间检修护面 | Cover plate center part | 1 | | |
| 17 | DZ13241161580 | 仪表板本体总成 | Center part assembly | 1 | | |
| 18 | DZ13241163800 | 电器箱盖板总成 | Center part assembly | 1 | | |
| 19 | DZ13241161502 | VCD 装饰板 | Cover plate center part | 1 | | |
| 20 | DZ13241161015 | 中间部件装饰板 | Cover plate center part | 1 | | |
| 21 | DZ13241161016 | 小储物盒 | Shelf | 1 | | |
| 22 | DZ13241161013 | 中间部件 | Center part assembly | 1 | | |
| 23 | DZ13241161700 | 烟灰缸总成 | Ash tray | 2 | | |

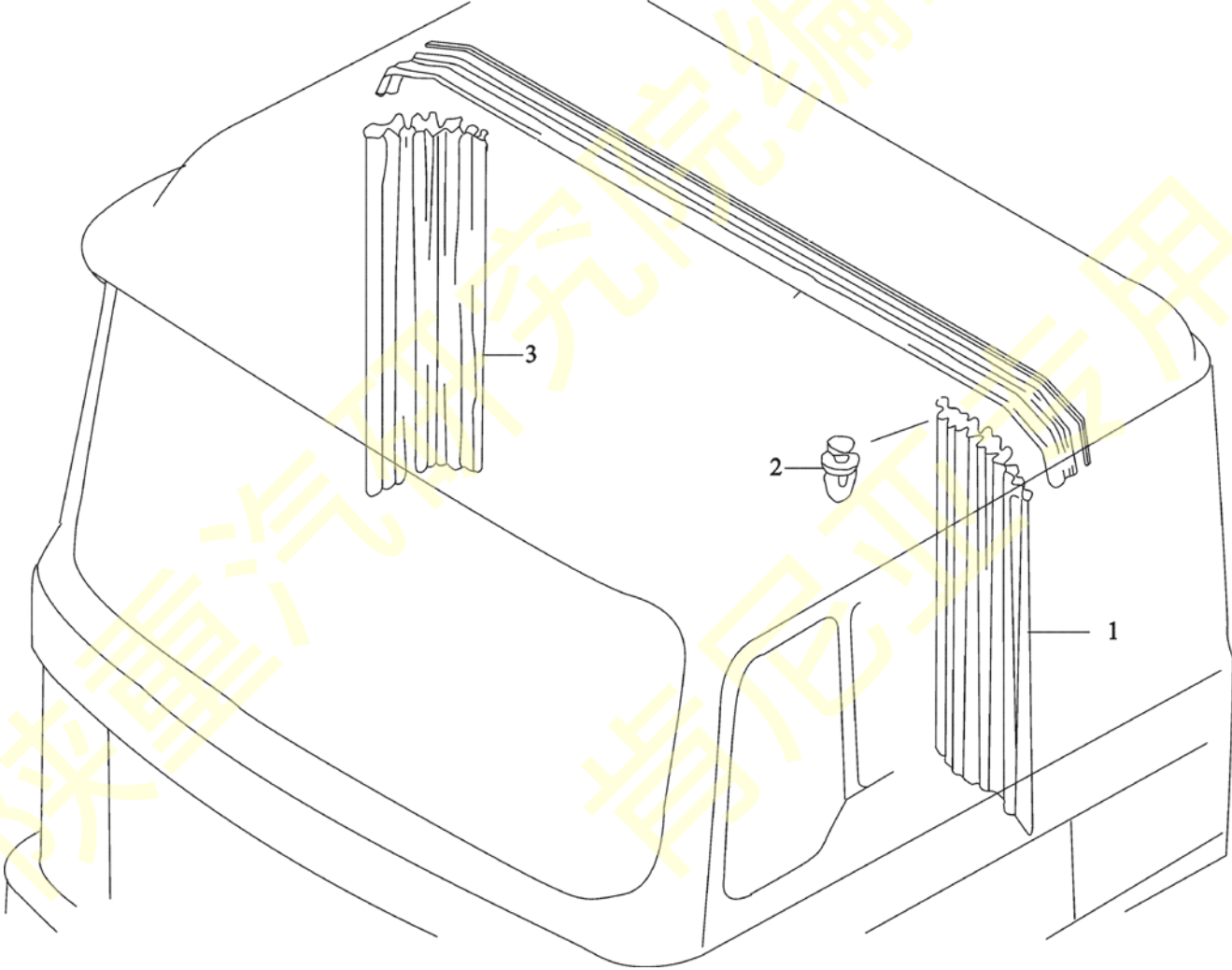
环形窗帘 AIL-ROUND CURTAIN



环形窗帘 AIL-ROUND CURTAIN

| 序号 NO | 件号 Part.No | 名称 Designation | Name | 数量 Quantity | 适用车型 Suited type | 备注 Remark |
|----------|---------------|-------------------|------------------------------|----------------|---------------------|--------------|
| 1 | DZ13241570109 | 德龙右环形窗帘(10 内饰) | Ail-round curtain right side | 1 | | 开后窗明细选用 |
| 2 | DZ13241570108 | 德龙左环形窗帘 (10 内饰) | Ail-round curtain left side | 1 | | |
| 3 | DZ13241570107 | 德龙后环形窗帘 | Ail-round curtain back side | 1 | | |

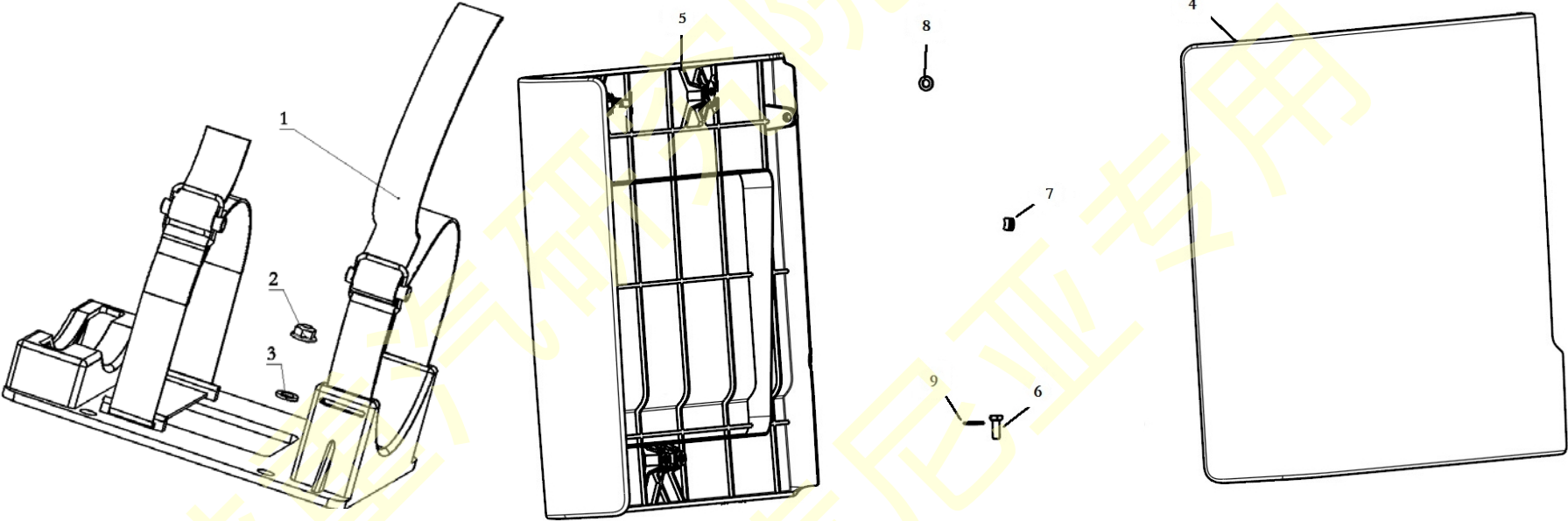
横向窗帘 TRANSVERSE CURTAIN



横向窗帘 TRANSVERSE CURTAIN

| 序号 NO | 件号 Part.No | 名称 Designation | Name | 数量 Quantity | 适用车型 Suited type | 备注 Remark |
|----------|---------------|-------------------|-----------------------------------|----------------|---------------------|---------------|
| 1 | 81.62101.5067 | 左窗帘总成 | Transverse curtain assembly left | 1 | | 用于高顶 N 驾驶室 |
| 1 | 81.62101.5066 | 左窗帘总成 | Transverse curtain assembly left | 1 | | 用于平顶 J/D 驾驶室 |
| | DZ13241590060 | 双层卧铺挡帘总成 | Two-level sleeper check apron | 1 | | 用于无后窗/双层帘/整体式 |
| 2 | DZ13241570106 | 窗帘挂钩 | Glider | 74 | | |
| 3 | 81.62102.5050 | 右窗帘总成 | Transverse curtain assembly right | 1 | | 用于高顶 N 驾驶室 |
| 3 | 81.62102.5049 | 右窗帘总成 | Transverse curtain assembly right | 1 | | 用于平顶 J/D 驾驶室 |

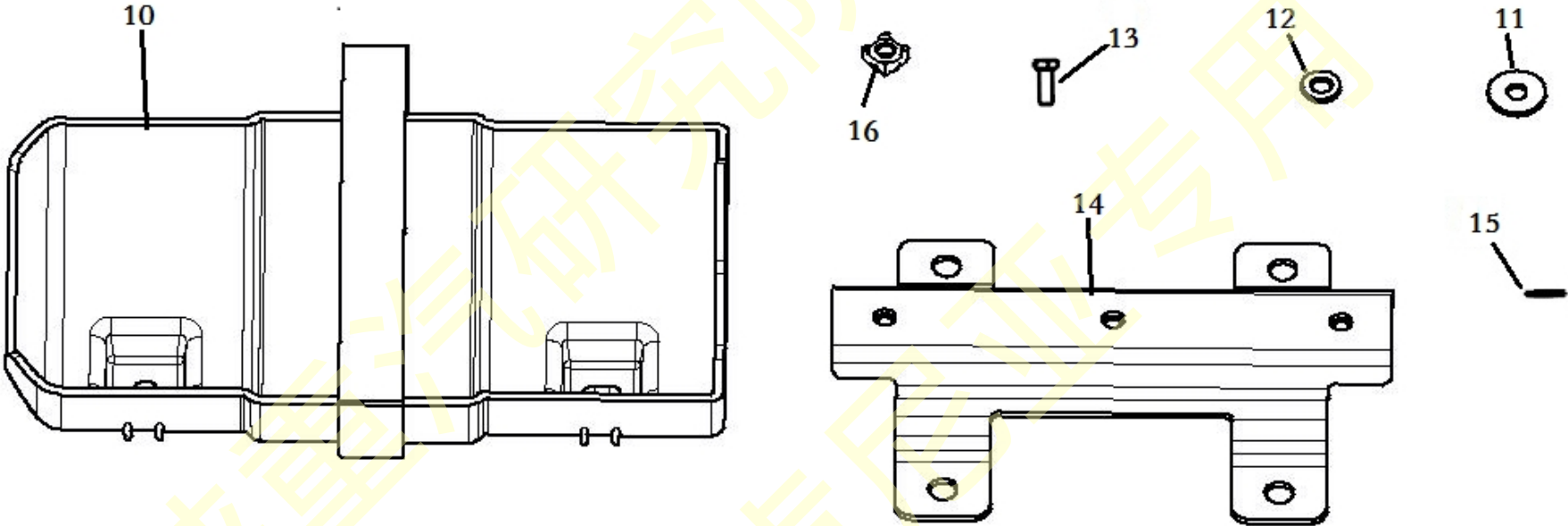
工具箱 Tool Box



工具箱 Tool Box

| 序号 NO | 件号 Part.No | 名称 Designation | Name | 数量 Quantity | 适用车型 Suited type | 备注 Remark |
|----------|----------------------|-------------------|---------------------------|----------------|---------------------|--------------|
| 1 | <u>DZ13241290100</u> | 千斤顶支架总成 | Jack bracket | 1 | | |
| 2 | <u>Q33206</u> | 2 型全金属六角锁紧螺母 | Hex nut | 4 | | |
| 3 | <u>Q40106</u> | 平垫圈 | Washer | 4 | | |
| 4 | <u>DZ1644290040</u> | 右侧围下盖板总成 | Cover plate right | 1 | 无侧围脚踏车型 | D 驾驶室 |
| | <u>DZ1643290041</u> | 右侧围下盖板总成 | Cover plate right | 1 | 无侧围脚踏车型 | N、J 驾驶室 |
| 5 | <u>DZ1644290030</u> | 左侧围下盖板总成 | Cover plate left | 1 | 无侧围脚踏车型 | D 驾驶室 |
| | <u>DZ1643290042</u> | 左侧围下盖板总成 | Cover plate left | 1 | 无侧围脚踏车型 | N、J 驾驶室 |
| 6 | <u>Q150B0620</u> | 六角头螺栓 | Hex bolt | 6 | 无侧围脚踏车型 | |
| 7 | <u>Q340B06</u> | 1 型六角螺母 | Hex nut | 6 | 无侧围脚踏车型 | |
| 8 | <u>Q40106</u> | 大垫圈 | Washer | 6 | 无侧围脚踏车型 | |
| 9 | <u>Q40306</u> | 弹簧垫圈 | Washer | 6 | 无侧围脚踏车型 | |
| 10 | <u>DZ13241290011</u> | 灭火器托架 (2KG) | Fire extinguisher base | 1 | 带灭火器支架车型 | |
| 11 | <u>Q40106</u> | 平垫圈 | Washer | 2 | 带灭火器支架车型 | |
| 12 | <u>Q40306</u> | 弹簧垫圈 | Washer | 2 | 带灭火器支架车型 | |
| 13 | <u>Q2140620</u> | 十字槽盘头螺钉 | Screw | 2 | 带灭火器支架车型 | |
| 14 | <u>DZ13241290012</u> | 灭火器固定支架总成 (2KG) | Fire extinguisher bracket | 1 | 带灭火器支架车型 | |
| 15 | <u>Q40206</u> | 大垫圈 | Washer | 4 | 带灭火器支架车型 | |
| 16 | <u>Q33406</u> | I 型全金属六角锁紧螺母 | Hex nut | 4 | 带灭火器支架车型 | |

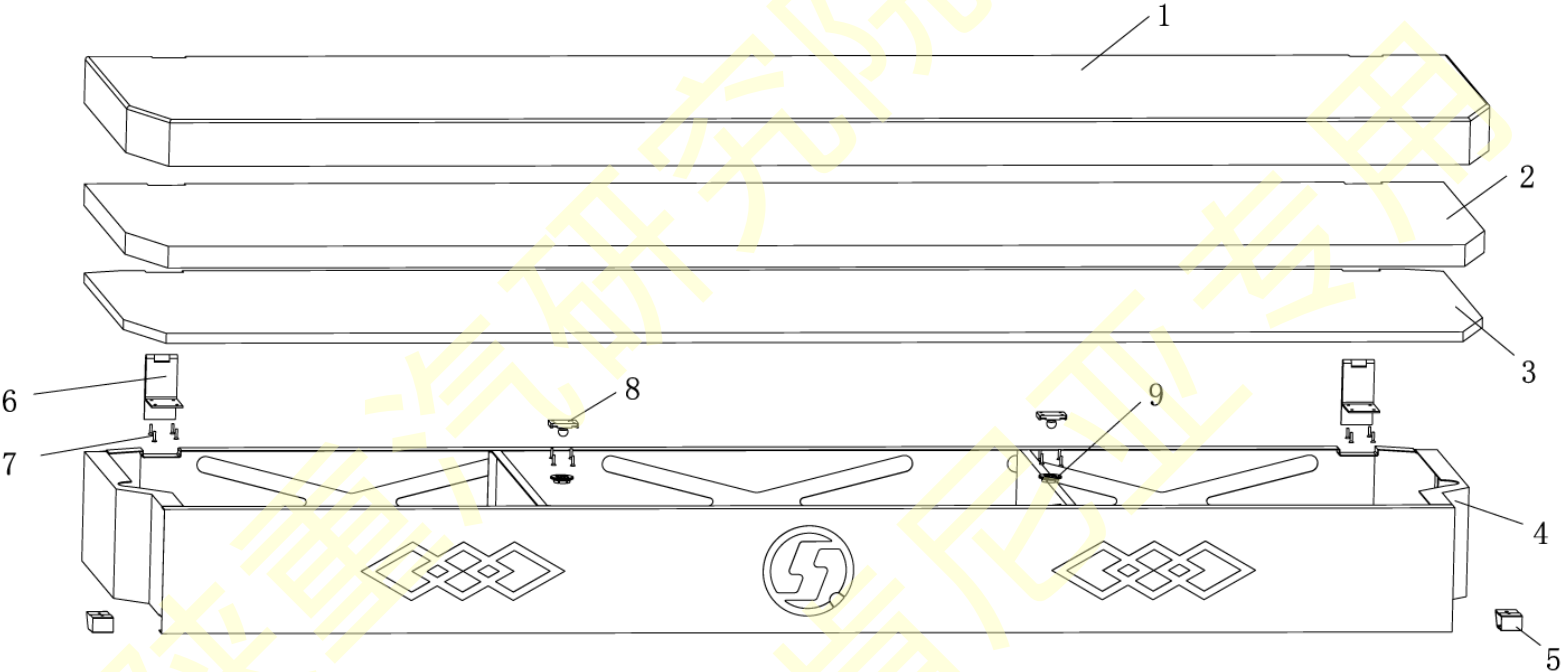
工具箱 Tool Box



工具箱 Tool Box

| 序号 NO | 件号 Part.No | 名称 Designation | Name | 数量 Quantity | 适用车型 Suited type | 备注 Remark |
|----------|----------------------|-------------------|---------------------------|----------------|---------------------|--------------|
| 1 | <u>DZ13241290100</u> | 千斤顶支架总成 | Jack bracket | 1 | | |
| 2 | <u>Q33206</u> | 2型全金属六角锁紧螺母 | Hex nut | 4 | | |
| 3 | <u>Q40106</u> | 平垫圈 | Washer | 4 | | |
| 4 | <u>DZ1644290040</u> | 右侧围下盖板总成 | Cover plate right | 1 | 无侧围脚踏车型 | D 驾驶室 |
| | <u>DZ1643290041</u> | 右侧围下盖板总成 | Cover plate right | 1 | 无侧围脚踏车型 | N、J 驾驶室 |
| 5 | <u>DZ1644290030</u> | 左侧围下盖板总成 | Cover plate left | 1 | 无侧围脚踏车型 | D 驾驶室 |
| | <u>DZ1643290042</u> | 左侧围下盖板总成 | Cover plate left | 1 | 无侧围脚踏车型 | N、J 驾驶室 |
| 6 | <u>Q150B0620</u> | 六角头螺栓 | Hex bolt | 6 | 无侧围脚踏车型 | |
| 7 | <u>Q340B06</u> | 1型六角螺母 | Hex nut | 6 | 无侧围脚踏车型 | |
| 8 | <u>Q40106</u> | 大垫圈 | Washer | 6 | 无侧围脚踏车型 | |
| 9 | <u>Q40306</u> | 弹簧垫圈 | Washer | 6 | 无侧围脚踏车型 | |
| 10 | <u>DZ13241290011</u> | 灭火器托架(2KG) | Fire extinguisher base | 1 | 带灭火器支架车型 | |
| 11 | <u>Q40106</u> | 平垫圈 | Washer | 2 | 带灭火器支架车型 | |
| 12 | <u>Q40306</u> | 弹簧垫圈 | Washer | 2 | 带灭火器支架车型 | |
| 13 | <u>Q2140620</u> | 十字槽盘头螺钉 | Screw | 2 | 带灭火器支架车型 | |
| 14 | <u>DZ13241290012</u> | 灭火器固定支架总成(2KG) | Fire extinguisher bracket | 1 | 带灭火器支架车型 | |
| 15 | <u>Q40206</u> | 大垫圈 | Washer | 4 | 带灭火器支架车型 | |
| 16 | <u>Q33406</u> | I型全金属六角锁紧螺母 | Hex nut | 4 | 带灭火器支架车型 | |

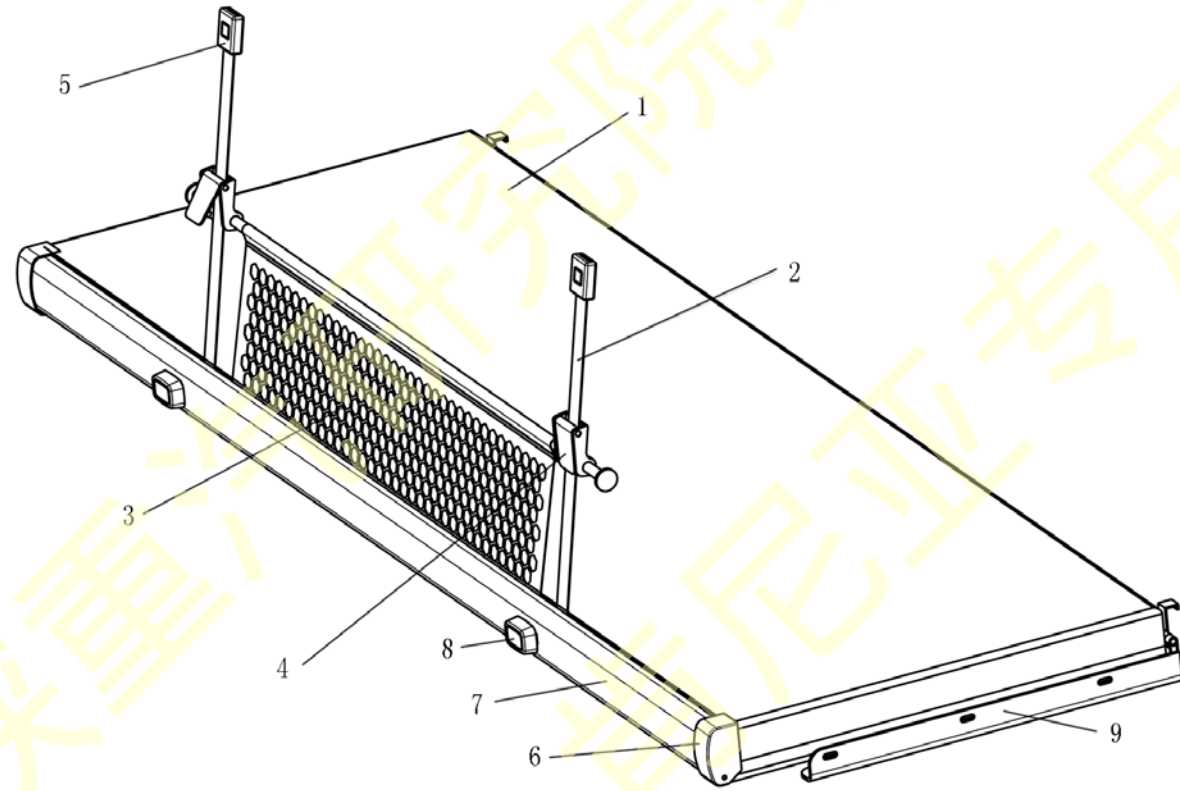
驾驶室下卧铺 Lower Berth



驾驶室下卧铺 Lower Berth

| 序号 NO | 件号 Part.No | 名称 Designation | Name | 数量 Quantity | 适用车型 Suited type | 备注 Remark |
|----------|---------------|-------------------|----------------------|----------------|---------------------|--------------|
| 1 | SZ157000717 | 卧铺板总成 | Berth board assembly | 1 | D 驾驶室 | |
| | SZ157000719 | 卧铺板总成 | Berth board assembly | 1 | N/J 驾驶室 | |
| | DZ13241572501 | 卧铺板总成/降成本 | Berth board assembly | 1 | N/J 驾驶室 | |
| 2 | SZ157000708 | 卧铺垫 | Berth mat | 1 | D 驾驶室 | |
| | SZ157000721 | 卧铺垫 | Berth mat | 1 | N/J 驾驶室 | |
| 3 | SZ157000707 | 卧铺板 | Berth board | 1 | D 驾驶室 | |
| | SZ157000720 | 卧铺板 | Berth board | 1 | N/J 驾驶室 | |
| | DZ13241572412 | 卧铺板/降成本 | Berth board | 1 | N/J 驾驶室 | |
| 4 | SZ157000709 | 卧铺框架 | Berth frame | 1 | D 驾驶室 | |
| | SZ157000724 | 卧铺框架 | Berth frame | 1 | N/J 驾驶室 | |
| 5 | SZ157000746 | 塑料件 | Plastic part | 2 | D 驾驶室 | |
| | SZ157000725 | 塑料件 | Plastic part | 2 | N/J 驾驶室 | |
| 6 | SZ157000748 | 铰链 | Gemel | 3 | D 驾驶室 | |
| | SZ157000727 | 铰链 | Gemel | 3 | N/J 驾驶室 | |
| 7 | QZ713516 | 十字槽盘头自攻螺钉 | Screw | 12 | | |
| 8 | SZ157000722 | 定位轴 | Positioning axis | 2 | | |
| 9 | SZ157000726 | 缓冲垫 | Bumper | 2 | | |

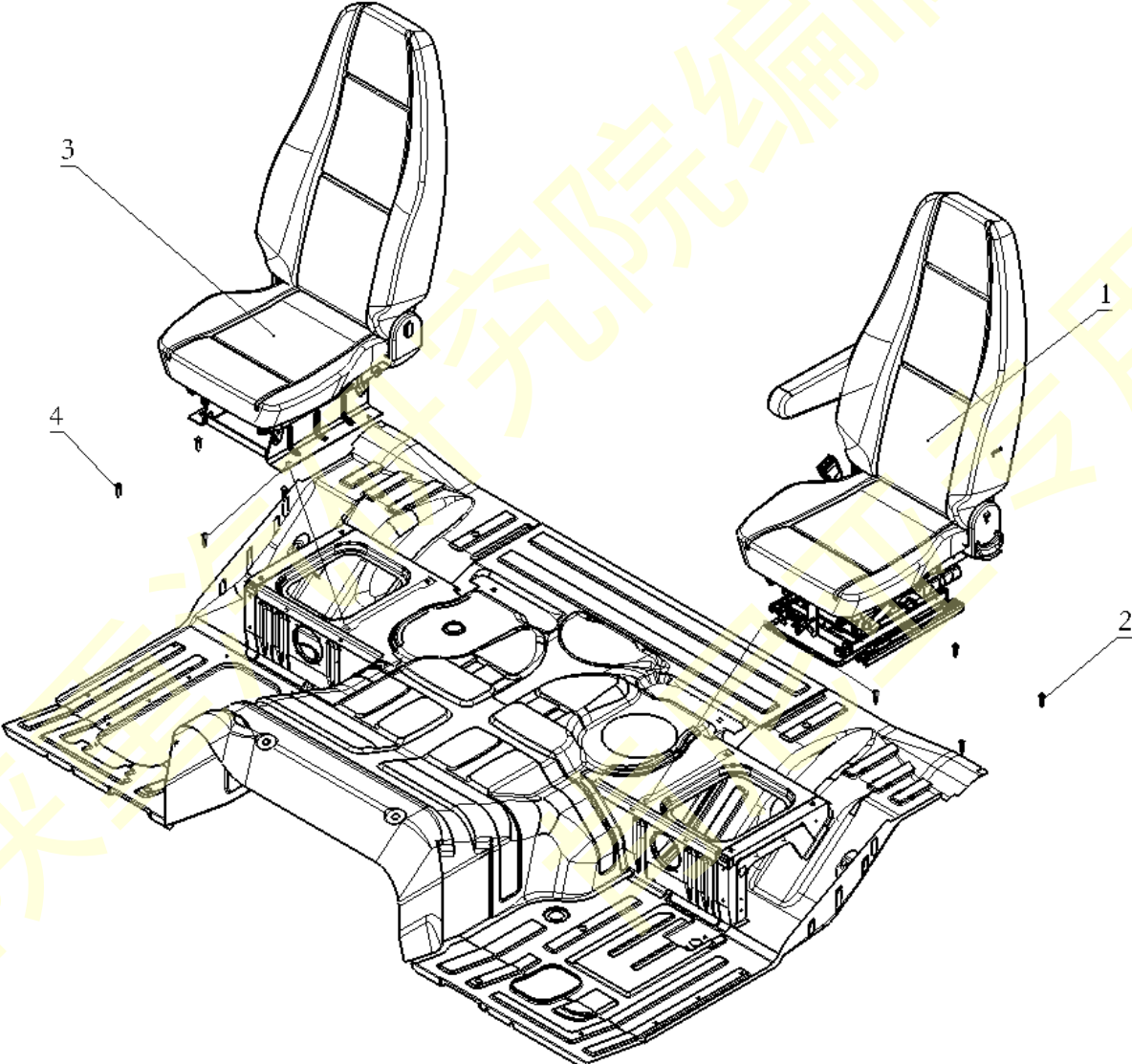
上铺装置 Upper Berth



上铺装置 Upper Berth

| 序号 NO | 件号 Part.No | 名称 Designation | Name | 数量 Quantity | 适用车型 Suited type | 备注 Remark |
|----------|---------------|-------------------|------------------------|----------------|---------------------|--------------|
| 1 | DZ13241571600 | 德龙上卧铺总成 (N,11) | Upper berth | 1 | N 驾驶室 | |
| | DZ13241571617 | 卧铺垫总成 | Berth mat | 1 | N 驾驶室 | |
| 2 | DZ13241571647 | 卧铺拉带 | Berth drawstring | 2 | N 驾驶室 | |
| 3 | DZ13241571646 | 防护网 | Berth guard | 1 | N 驾驶室 | |
| 4 | DZ13241571648 | 拉带卡扣 | Drawstring buckle | 2 | N 驾驶室 | |
| 5 | DZ13241571649 | 拉带挂钩 | Drawstring pothook | 2 | N 驾驶室 | |
| 6 | DZ13241571641 | 包边装饰件 (左) | Decorative panel left | 1 | N 驾驶室 | |
| | DZ13241571642 | 包边装饰件 (右) | Decorative panel right | 1 | N 驾驶室 | |
| 7 | DZ13241571645 | 铝合金套筒 | Aluminum alloy sleeve | 1 | N 驾驶室 | |
| 8 | DZ13241571643 | 卷筒机构 | Roller | 2 | N 驾驶室 | |
| 9 | DZ13241571613 | 卧铺支架 (左) | Berth bracket left | 1 | N 驾驶室 | |
| | DZ13241571614 | 卧铺支架 (右) | Berth bracket right | 1 | N 驾驶室 | |

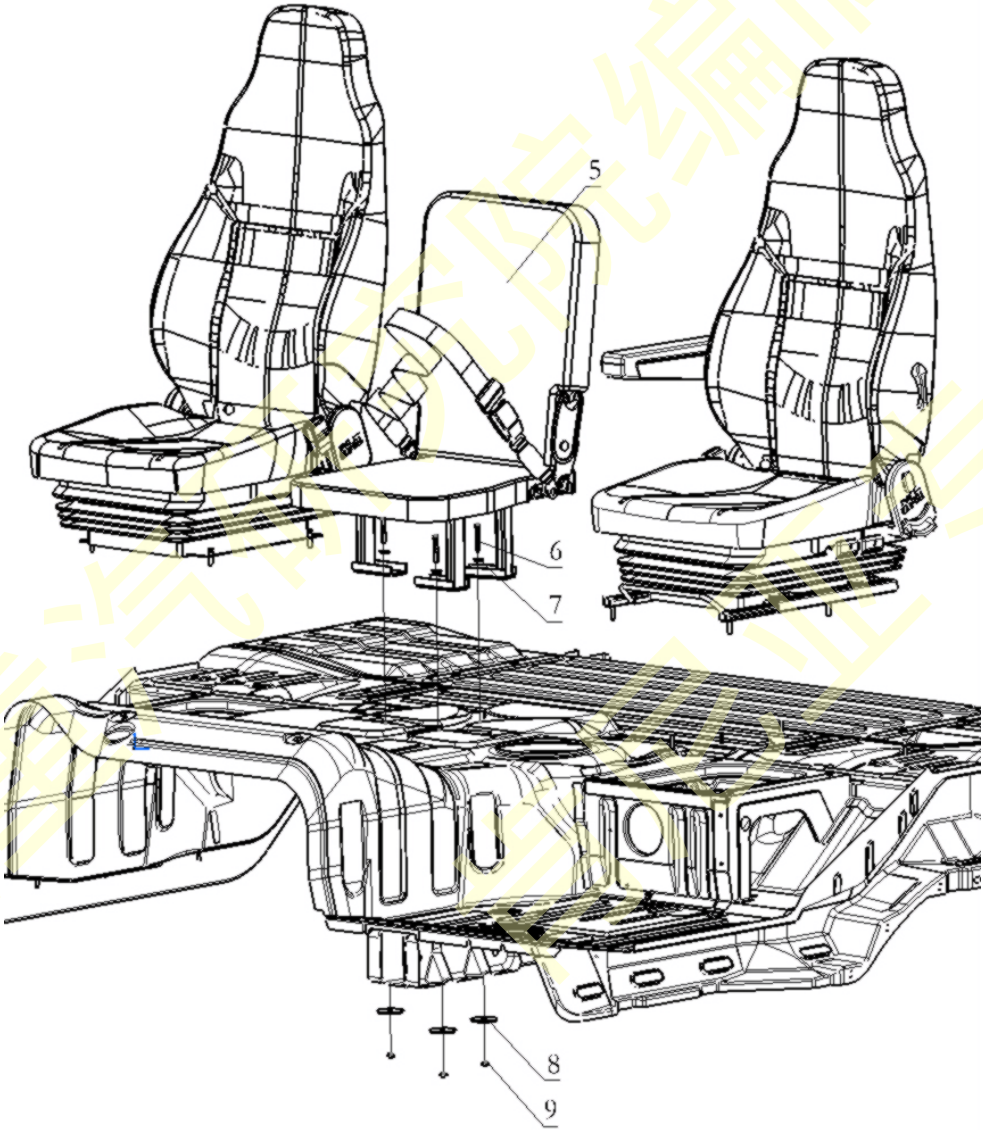
座椅总成 SEAT



座椅总成 SEAT

| 序号 NO | 件号 Part.No | 名称 Designation | Name | 数量 Quantity | 适用车型 Suited type | 备注 Remark |
|----------|---------------|---------------------------|---|----------------|---------------------|-----------------------|
| 1 | DZ13241510091 | 左空气悬浮座椅总成（新款、10 面料） | Seat air spring left | 1 | 左置车气囊座椅车型 | 带扶手 |
| | DZ13241510093 | 左空气悬浮座椅总成/10 面料/报警锁扣 | Seat air spring left with warning twistlock | 1 | 左置车气囊座椅车型 | 安全带报警 |
| | DZ13241510013 | 左液压座椅总成（10 面料） | Seat hydraulic spring left | 1 | 左置车液压座椅车型 | 分体式头枕 |
| | SZ151000811 | 左液压座椅总成（10 面料，报警锁扣） | Seat hydraulic spring left with warning twistlock | 1 | 左置车液压座椅车型 | 分体式头枕 |
| 2 | DZ13241510152 | 左固定座椅总成（新款 10/防尘罩） | Seat static left | 1 | 右置车气囊座椅车型 | 分体式头枕 |
| | DZ13241510151 | 左固定座椅总成（10 面料） | Seat static left | 1 | 右置车液压座椅车型 | |
| 3 | Q218B0830 | 内六角圆柱头螺钉 | Cylinder screw | 4 | | |
| 3 | DZ13241510083 | 右固定座椅总成（新款 10） | Seat static right | 1 | F2000 左置车气囊座椅车型 | 分体式头枕 带扶手 安全带报警 |
| | DZ13241510084 | 右固定座椅总成（新款 10/防尘罩） | Seat static right | 1 | F3000 左置车气囊座椅车型 | |
| | DZ13241510092 | 右固定简易座椅总成（10 面料） | Seat static right | 1 | 左置车气囊座椅车型 | |
| | DZ13241510014 | 右固定座椅总成（10 面料） | Seat static right | 1 | 左置车液压座椅车型 | |
| | DZ13241510018 | 右固定简易座椅（10 面料） | Seat static right | 1 | 左置车液压座椅车型 | |
| | DZ13241510142 | 右空气悬浮座椅总成（新款、10 面料） | Seat air spring right | 1 | 右置车气囊座椅车型 | |
| | DZ13241510141 | 右液压座椅总成（10 面料） | Seat hydraulic spring right | 1 | 右置车液压座椅车型 | |
| | DZ13241510144 | 右空气悬浮座椅总成（新款、10 面料、装报警锁扣） | Seat air spring right with warning twistlock | 1 | 右置车气囊座椅车型 | |
| 4 | Q150B0830T1F3 | 六角头螺栓 | Hex bolt | 4 | | |
| 5 | DZ13241510026 | 第三座椅总成（10 面料） | The third seat | 1 | 左置车车型 | |
| | DZ13241510201 | 第三座椅总成/换挡前移 | The third seat | 1 | 左置车车型 | |
| 6 | Q150B0850 | 六角头螺栓（镀锌） | Hex bolt | 3 | | |
| 7 | Q40208 | 大垫圈 | Washer | 3 | | |
| 8 | DZ13241510021 | 加强板 | Stiffening plate | 3 | | |
| 9 | Q340B08T2F3 | 1 型六角螺母 | Hex lock nut | 3 | | |

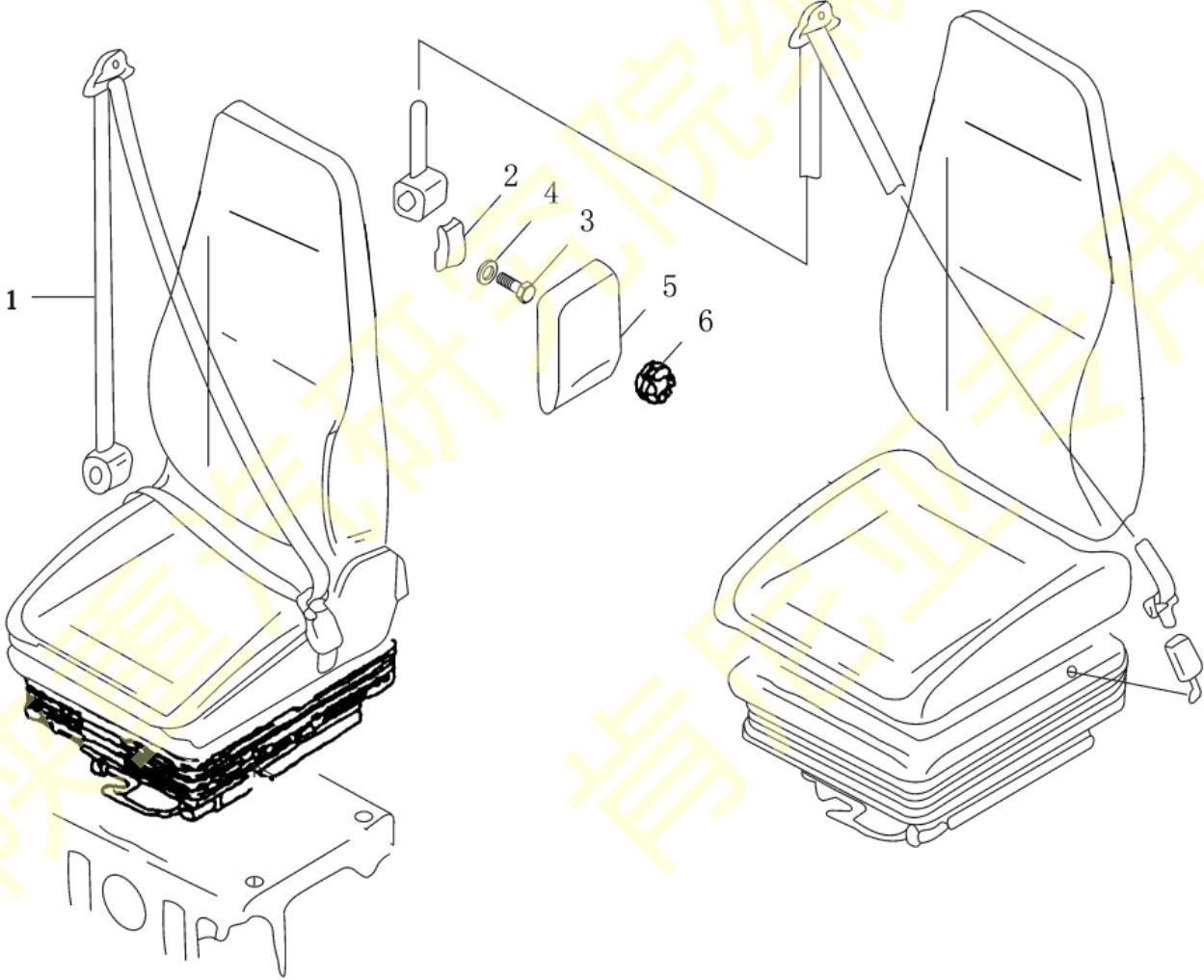
座椅总成 SEAT



座椅总成 SEAT

| 序号 NO | 件号 Part.No | 名称 Designation | Name | 数量 Quantity | 适用车型 Suited type | 备注 Remark |
|----------|---------------|---------------------------|---|----------------|---------------------|-----------------------|
| 1 | DZ13241510091 | 左空气悬浮座椅总成（新款、10 面料） | Seat air spring left | 1 | 左置车气囊座椅车型 | 带扶手 |
| | DZ13241510093 | 左空气悬浮座椅总成/10 面料/报警锁扣 | Seat air spring left with warning twistlock | 1 | 左置车气囊座椅车型 | 安全带报警 |
| | DZ13241510013 | 左液压座椅总成（10 面料） | Seat hydraulic spring left | 1 | 左置车液压座椅车型 | 分体式头枕 |
| | SZ151000811 | 左液压座椅总成（10 面料，报警锁扣） | Seat hydraulic spring left with warning twistlock | 1 | 左置车液压座椅车型 | 分体式头枕 |
| 2 | DZ13241510152 | 左固定座椅总成（新款 10/防尘罩） | Seat static left | 1 | 右置车气囊座椅车型 | 分体式头枕 |
| | DZ13241510151 | 左固定座椅总成（10 面料） | Seat static left | 1 | 右置车液压座椅车型 | |
| 2 | Q218B0830 | 内六角圆柱头螺钉 | Cylinder screw | 4 | | |
| 3 | DZ13241510083 | 右固定座椅总成（新款 10） | Seat static right | 1 | F2000 左置车气囊座椅车型 | 分体式头枕 带扶手 安全带报警 |
| | DZ13241510084 | 右固定座椅总成（新款 10/防尘罩） | Seat static right | 1 | F3000 左置车气囊座椅车型 | |
| | DZ13241510092 | 右固定简易座椅总成（10 面料） | Seat static right | 1 | 左置车气囊座椅车型 | |
| | DZ13241510014 | 右固定座椅总成（10 面料） | Seat static right | 1 | 左置车液压座椅车型 | |
| | DZ13241510018 | 右固定简易座椅（10 面料） | Seat static right | 1 | 左置车液压座椅车型 | |
| | DZ13241510142 | 右空气悬浮座椅总成（新款、10 面料） | Seat air spring right | 1 | 右置车气囊座椅车型 | |
| | DZ13241510141 | 右液压座椅总成（10 面料） | Seat hydraulic spring right | 1 | 右置车液压座椅车型 | |
| | DZ13241510144 | 右空气悬浮座椅总成（新款、10 面料、装报警锁扣） | Seat air spring right with warning twistlock | 1 | 右置车气囊座椅车型 | |
| 4 | Q150B0830T1F3 | 六角头螺栓 | Hex bolt | 4 | | |
| 5 | DZ13241510026 | 第三座椅总成（10 面料） | The third seat | 1 | 左置车车型 | |
| | DZ13241510201 | 第三座椅总成/换挡前移 | The third seat | 1 | 左置车车型 | |
| 6 | Q150B0850 | 六角头螺栓（镀锌） | Hex bolt | 3 | | |
| 7 | Q40208 | 大垫圈 | Washer | 3 | | |
| 8 | DZ13241510021 | 加强板 | Stiffening plate | 3 | | |
| 9 | Q340B08T2F3 | 1 型六角螺母 | Hex lock nut | 3 | | |

安全带总成 SAFETY BELT

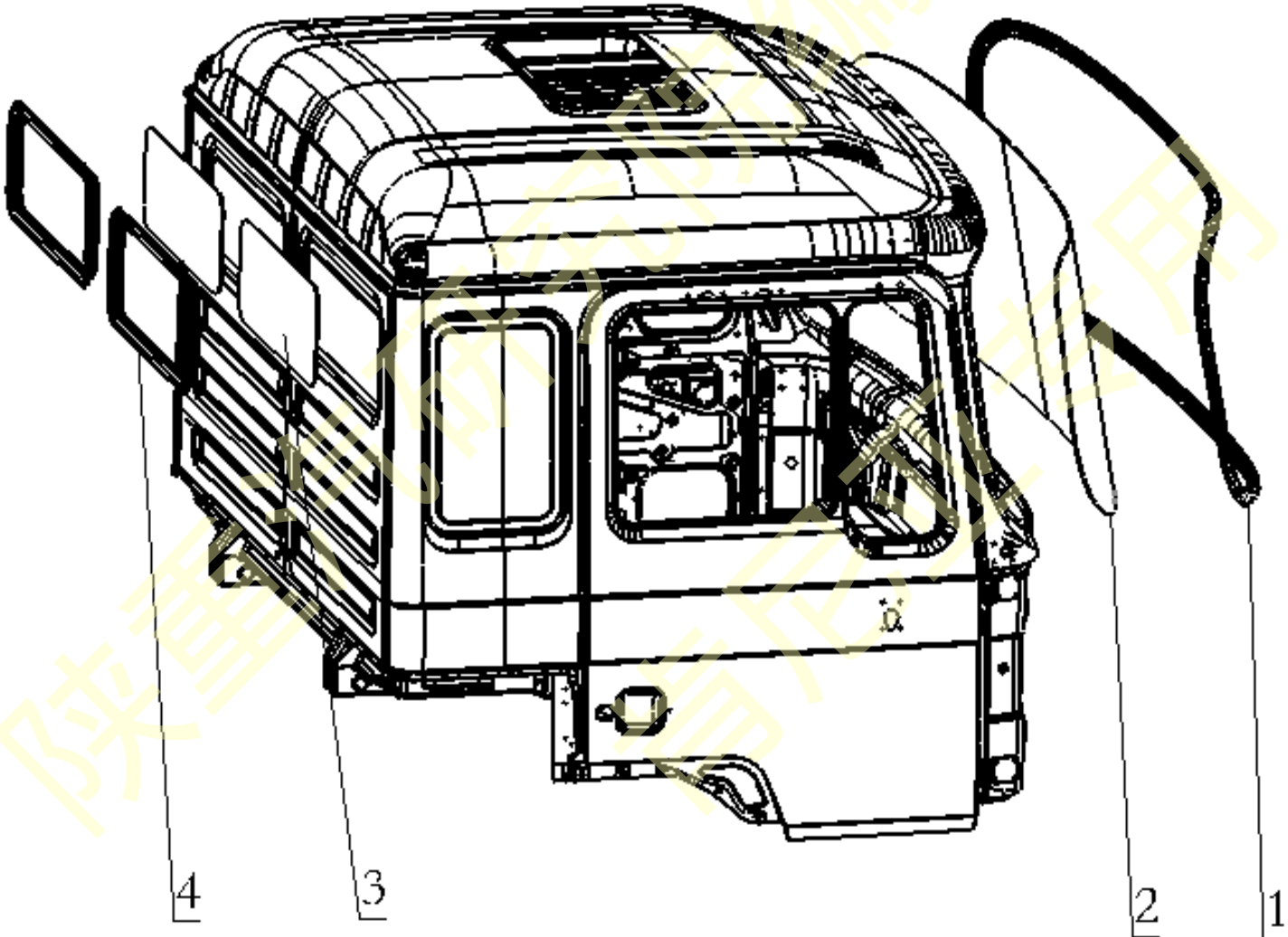


安全带总成 SAFETY BELT

| 序号 NO | 件号 Part.No | 名称 Designation | Name | 数量 Quantity | 适用车型 Suited type | 备注 Remark |
|----------|---------------|-------------------|-------------|----------------|---------------------|--------------|
| 1 | 81.62305.6247 | 不带皮带扣的三点式座椅安全带 | Safety belt | 1 | | |
| 2 | 81.62305.0027 | 支 架 | Bracket | 2 | | |
| 3 | 06.01489.0055 | 六角螺栓 | Hex bolt | 4 | | |
| 4 | 81.90712.0970 | 垫 圈 | Washer | 4 | | |
| 5 | 81.62305.0026 | 盖 | Covering | 2 | | |
| 6 | 81.62340.0117 | 帽 | Cap | 2 | | |

驾驶室外围部件 Car peripheral components

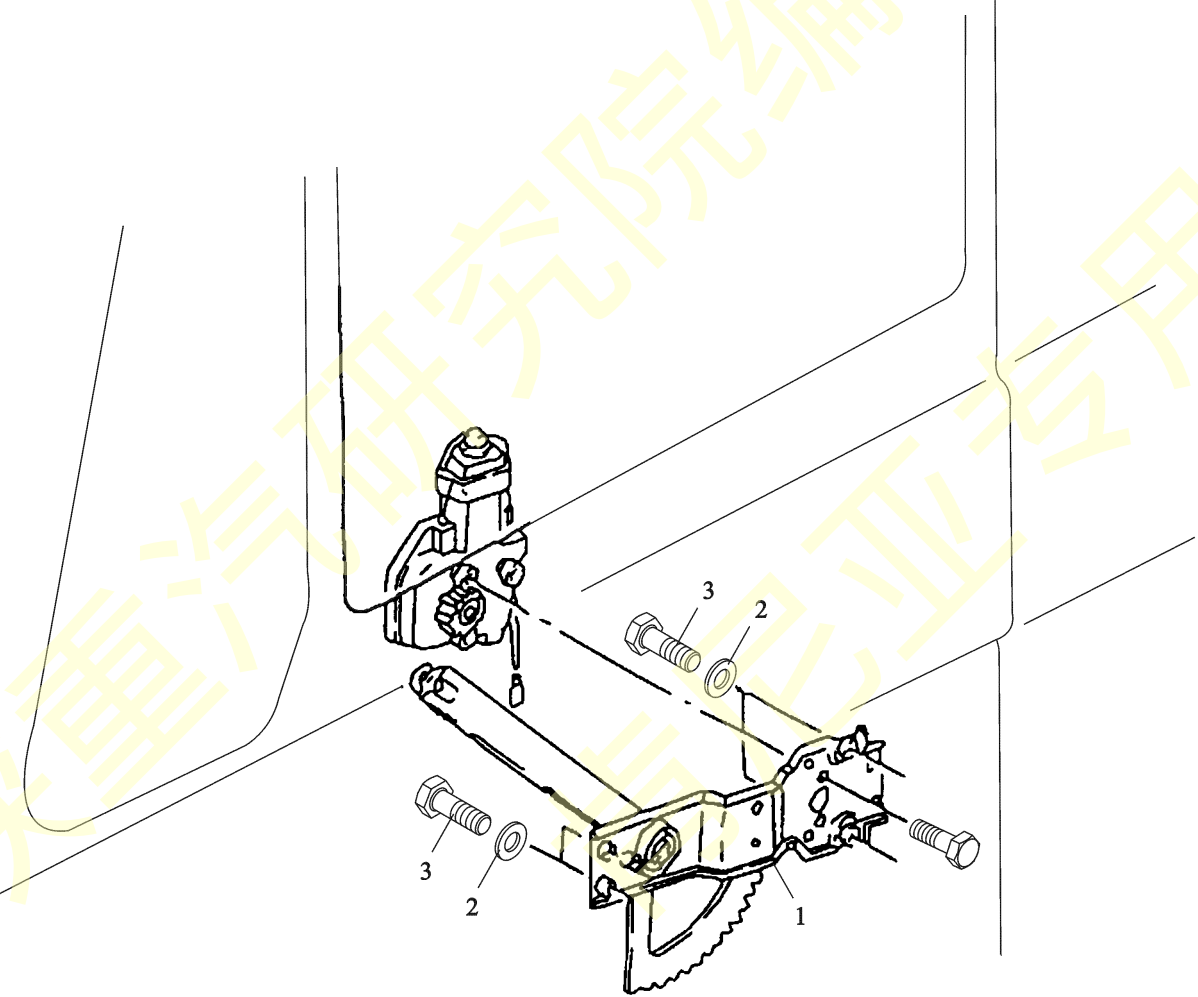
车窗总成 CAR WINDOW



前风窗玻璃总成

| 序号 NO | 件号 Part.No | 名称 Designation | Name | 数量 Quantity | 适用车型 Suited type | 备注 Remark |
|----------|---------------|-------------------|---------------------------|----------------|---------------------|--------------|
| 1 | 81.96121.0056 | 挡风玻璃密封条 | Seal strip | 1 | | |
| 2 | 81.62450.0052 | 挡风玻璃 | Windscreen | 1 | | |
| 3 | 81.62750.0028 | 后窗玻璃 | Back mirror/sleeper widen | 1 | 适用于带后 | |
| 4 | 81.96121.0023 | 后窗玻璃密封条 | Back seal strip | 1 | 窗的车型 | |

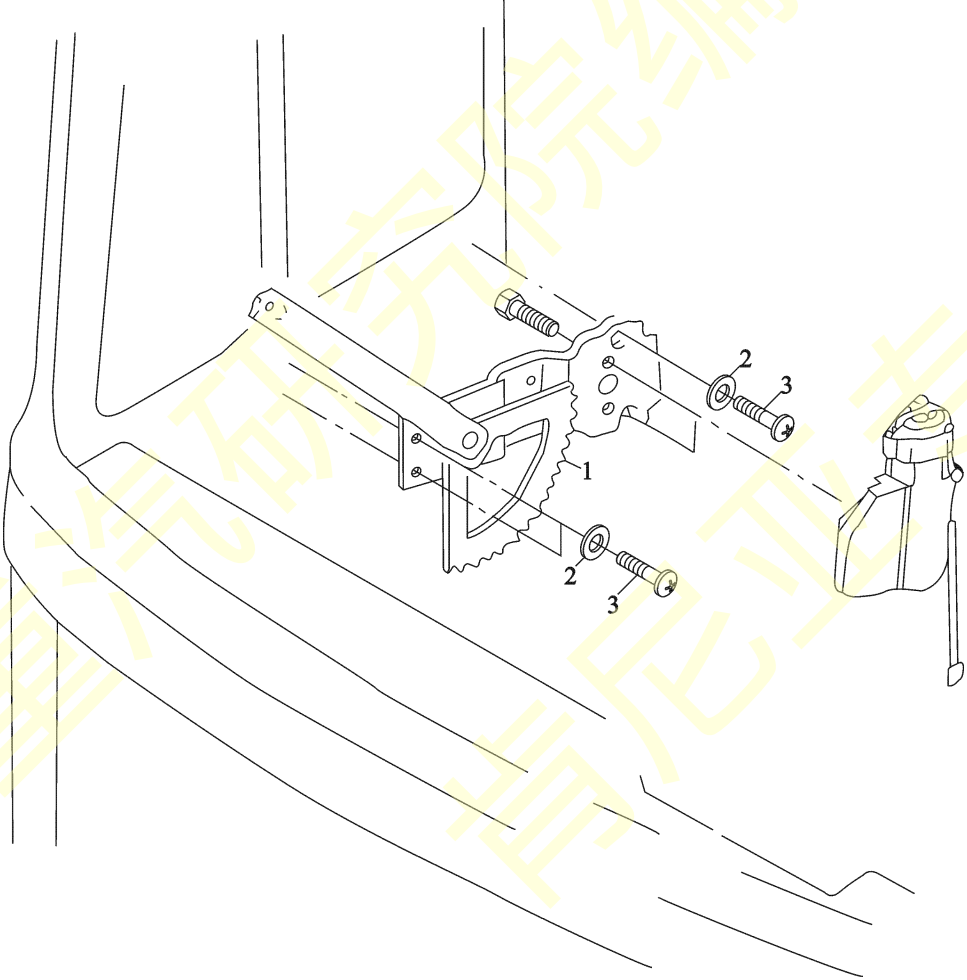
手动控制的左车门窗升降器 DOOR WINDOW LIFTER LEFT OPERATED



手动控制的左车窗升降器 DOOR WINDOW LIFTER LEFT OPERATED

| 序号 NO | 件号 Part.No | 名称 Designation | Name | 数量 Quantity | 适用车型 Suited type | 备注 Remark |
|----------|---------------|-------------------|--------------------|----------------|---------------------|--------------|
| 1 | 81.62640.6057 | 左玻璃升降器 | Left window lifter | 1 | | |
| 2 | Q40108 | 平垫圈（镀锌） | Flat washer | 2 | | |
| 3 | 06.02829.0010 | 盘头螺钉 | Pan-head screw | 2 | | |

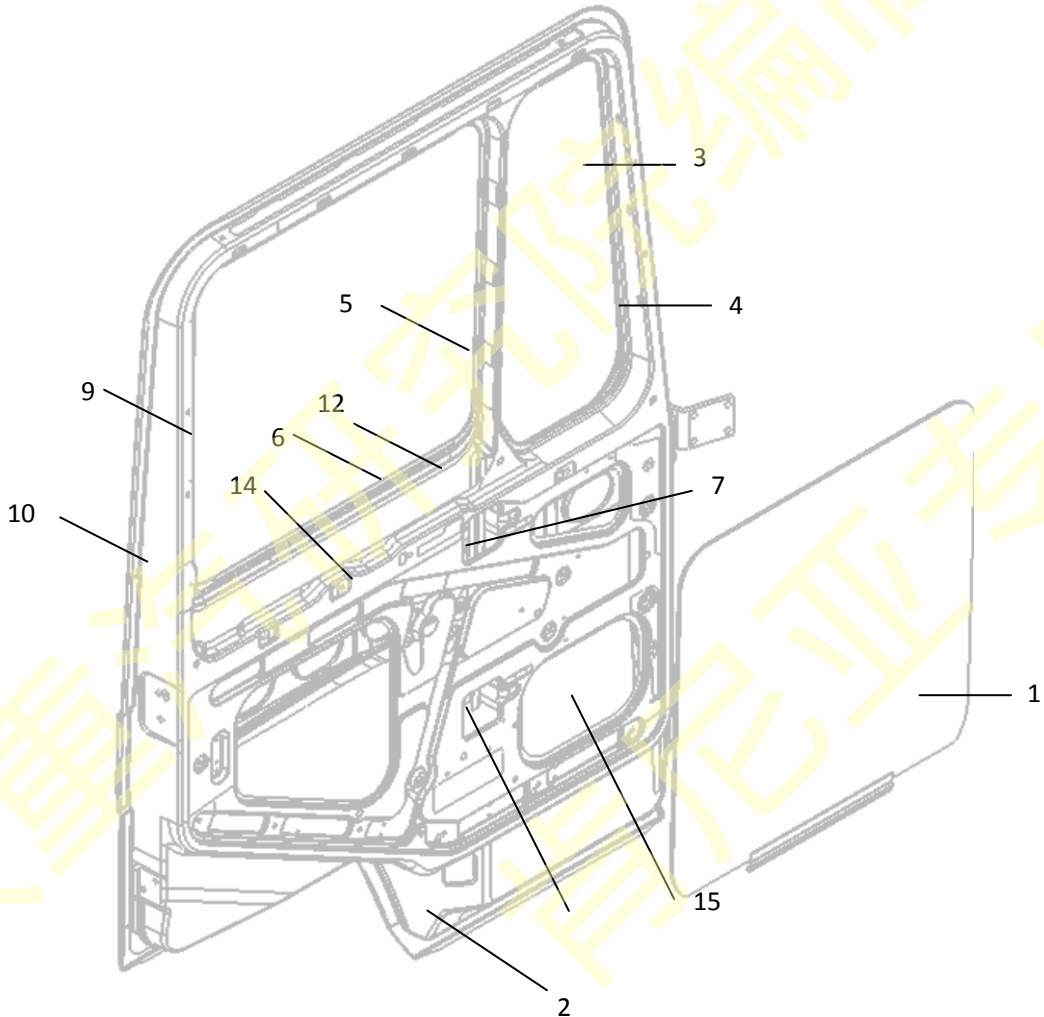
手动控制的右车门窗升降器 DOOR WINDOW LIFTER RIGHT OPERATED



手动控制的右车窗升降器 DOOR WINDOW LIFTER RIGHT OPERATED

| 序号 NO | 件号 Part.No | 名称 Designation | Name | 数量 Quantity | 适用车型 Suited type | 备注 Remark |
|----------|---------------|-------------------|---------------------|----------------|---------------------|--------------|
| 1 | 81.62640.6058 | 右玻璃升降器 | Right window lifter | 1 | | |
| 2 | Q40108 | 平垫圈（镀锌） | Flat washer | 2 | | |
| 3 | 06.02829.0010 | 盘头螺钉 | Pan-head screw | 2 | | |

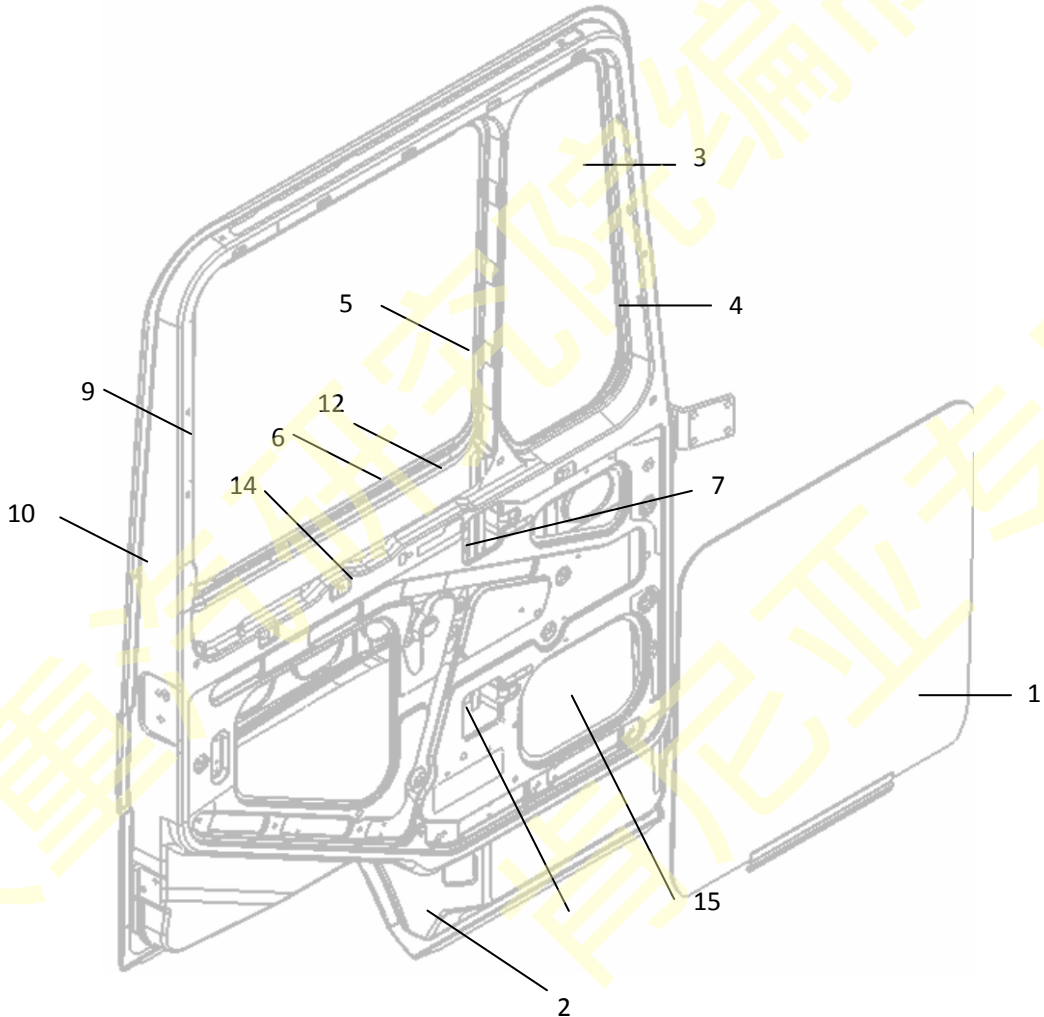
左车门及左车门玻璃 DOOR AND DOOR GLASS



左车门及左车门玻璃 DOOR AND DOOR GLASS

| 序号 NO | 件号 Part.No | 名称 Designation | Name | 数量 Quantity | 适用车型 Suited type | 备注 Remark |
|----------|---------------|-------------------|---------------------|----------------|---|--------------|
| 1 | DZ1643330011 | 车门玻璃总成(左) | Door glass | 1 | | |
| 2 | DZ13241210090 | 左车门总成 | Door | 1 | 后视镜不在车门上右置车型用 后视镜在车门上左置车型用 后视镜在车门上右置车型用 | 装侧围门洞处 |
| | DZ13241210030 | 左车门总成 | Door | 1 | | |
| | DZ13241210001 | 左车门总成 | Door | 1 | | |
| 3 | DZ1643350011 | 角窗玻璃(左) | Corner window(left) | 1 | | |
| 4 | 81.96120.0885 | 密封框 | Wintight later | 1 | | |
| 5 | DZ13241330351 | 车门玻璃密封条 | Wintight later | 1 | | |
| 6 | 81.62651.0045 | 车窗导轨 | Idler | 1 | | |
| 7 | 81.62640.0081 | 后窗导轨 | Idler | 1 | | |
| 8 | DZ13241330071 | 车门密封条 | Wintight later | 1 | | |
| 9 | DZ13241330410 | 左窗框 | window frame | 1 | | |
| 10 | SZ133000718 | 车门密封条 | Wintight later | 1 | | |
| 11 | 81.98702.0006 | 衬垫 | Pillow | 1 | | |
| 12 | 81.62651.0049 | 密封件 | Wintight Pillow | 1 | | |
| 13 | 81.62630.2259 | 左装饰片 | Encrust | 1 | | |
| 14 | 81.62630.2276 | 装饰片 | Encrust | 1 | | |
| 15 | 81.62630.2263 | 左护板 | Plank | 1 | | |
| 16 | A0.00182.8078 | 黑色嵌条 | Black panel | 3.5 米 | | |
| 17 | 06.04300.4706 | 十字槽沉头螺钉 | bolt | 2 | | |

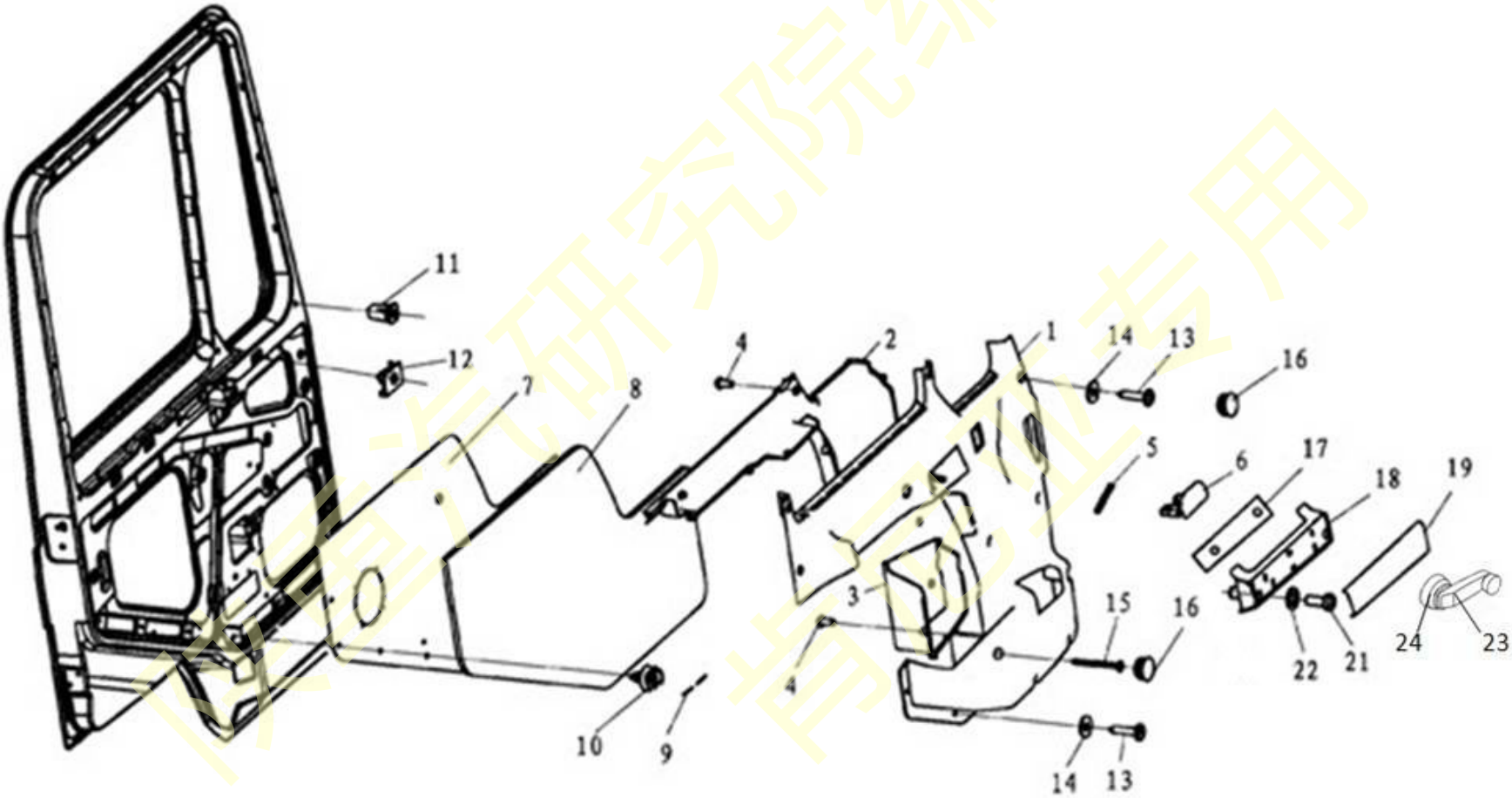
右车门及右车门玻璃 DOOR AND DOOR GLASS



右车门及右车门玻璃 DOOR AND DOOR GLASS

| 序号 NO | 件号 Part.No | 名称 Designation | Name | 数量 Quantity | 适用车型 Suited type | 备注 Remark |
|----------|---------------|-------------------|----------------------|----------------|---------------------|--------------|
| 1 | DZ1643330012 | 车门玻璃总成(右) | Door glass | 1 | | |
| 2 | DZ13241210040 | 右车门总成 | Door | 1 | 后视镜在车门上右置车型用 | |
| | DZ13241210095 | 右车门总成 | Door | 1 | 后视镜在车门上左置车型用 | |
| | DZ13241210020 | 右车门总成 | Door | 1 | 后视镜不在车门上左置车型用 | |
| 3 | DZ1643350012 | 角窗玻璃(右) | Corner window(right) | 1 | | |
| 4 | 81.96120.0885 | 密封框 | Wintight later | 1 | | |
| 5 | DZ13241330351 | 车门玻璃密封条 | Wintight later | 1 | | |
| 6 | 81.62651.0045 | 车窗导轨 | Idler | 1 | | |
| 7 | 81.62640.0081 | 后窗导轨 | Idler | 1 | | |
| 8 | DZ13241330071 | 车门密封条 | Wintight later | 1 | | 装侧围门洞处 |
| 9 | DZ13241330411 | 右窗框 | window frame | 1 | | |
| 10 | SZ133000718 | 车门密封条 | Wintight later | 1 | | |
| 11 | 81.98702.0006 | 衬垫 | Pillow | 1 | | |
| 12 | 81.62651.0049 | 密封件 | Wintight Pillow | 1 | | |
| 13 | 81.62630.2258 | 右装饰片 | Encrust | 1 | | |
| 14 | 81.62630.2276 | 装饰片 | Encrust | 1 | | |
| 15 | 81.62630.2262 | 右护板 | plank | 1 | | |

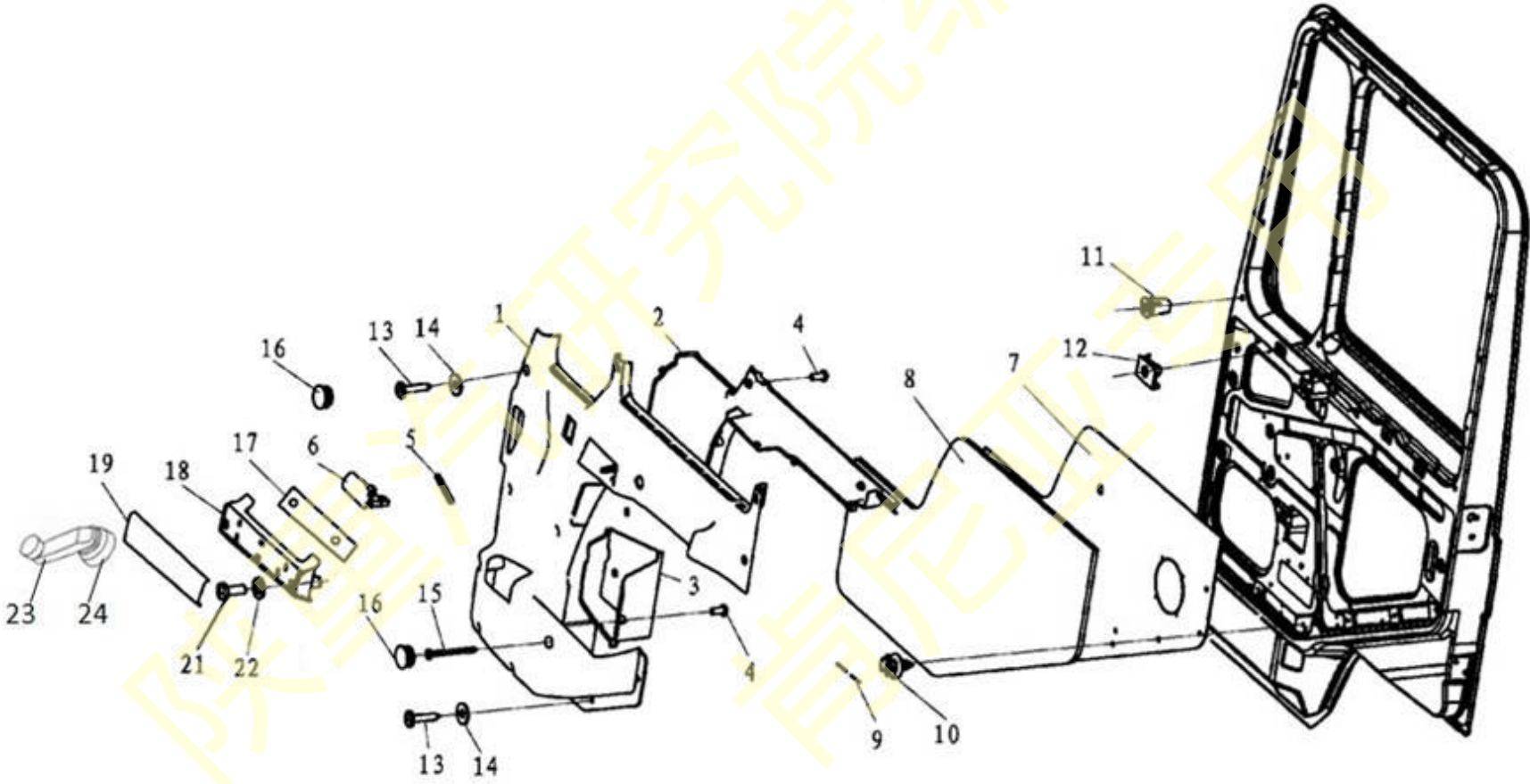
左车门部件 DOOR COVERING LEFT



左车门部件 DOOR COVERING LEFT

| 序号 NO | 件号 Part.No | 名称 Designation | Name | 数量 Quantity | 适用车型 Suited type | 备注 Remark |
|----------|---------------|-------------------|--------------------------------|----------------|---------------------|-----------------|
| 1 | DZ13241330210 | 左中饰板总成 | Foil middle left assy | 1 | | |
| 2 | DZ13241330210 | 左中饰板总成 | Foil middle left assy | 1 | | |
| 3 | DZ13241330210 | 左中饰板总成 | Foil middle left assy | 1 | | |
| 4 | 06.07159.0008 | 盘头螺钉 | Grooved oval head collar bolt | 2 | | |
| 6 | DZ13241330210 | 左中饰板总成 | Foil middle left assy | 1 | | |
| 7 | DZ13241330151 | 车门内镶板(左) | Door lining assembly left | 1 | | 属 DZ13241330250 |
| 8 | DZ13241330155 | 面料(左) | Door lining assembly left | 1 | | 属 DZ13241330250 |
| 9 | 09.81010.0017 | 工业钉书针 | Industrial stitching needle | 16 | | 属 DZ13241330250 |
| 10 | 81.62640.0092 | 夹箍 | Clamp | 4 | | 属 DZ13241330250 |
| 11 | 81.90685.0374 | 塑料方螺母 | Speed nut | 10 | | |
| 12 | 06.13189.0056 | 簧片螺母 | Speed nut | 2 | | |
| 13 | 06.07159.0008 | 盘头螺钉 | Grooved oval head collar bolt | 13 | | |
| 14 | Q40205 | 大垫圈 | Big washer | 11 | | |
| 15 | 06.07159.0010 | 自攻螺钉 | Grooved oval head collar bolt | 1 | | |
| 16 | DZ13241330415 | 堵塞 | Plug | 4 | | |
| 17 | DZ13241330230 | 左车门扶手总成 | Door handrail left assy | 1 | | |
| 18 | DZ13241330230 | 左车门扶手总成 | Door handrail left assy | 1 | | |
| 19 | DZ13241330131 | 车门扶手外板(左) | Door handrail out board left | 1 | | |
| 21 | Q2744816 | 十字槽沉头自攻螺钉 | Self-tapping countersunk screw | 2 | | |
| 22 | Q40108 | 平垫圈 | Flat washer | 2 | | |
| 23 | 81.62641.6052 | 升降器手柄 | window lifter handle | 1 | | |
| 24 | DZ13241330412 | 手柄护罩 | handle fingerstall | 1 | | |
| 25 | 81.62620.2231 | 左装饰片 | encrust | 1 | | |
| 26 | DZ13241330201 | 装饰片 | encrust | 1 | | |
| 27 | 81.96002.0142 | 塞子 | plug | 4 | | |
| 29 | 06.02829.0010 | 盘头螺钉 | collar bolt | 10 | | |

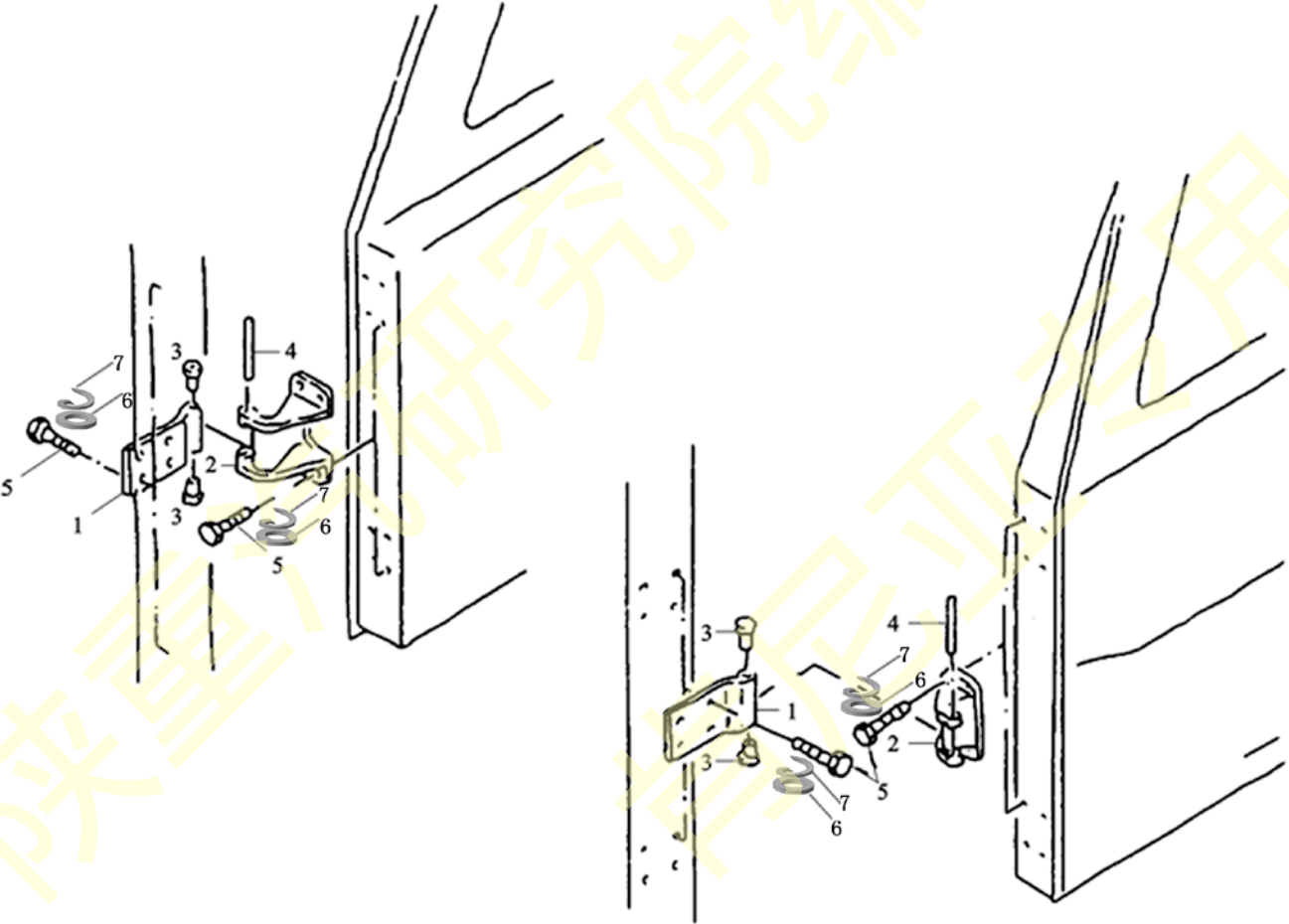
右车门部件 DOOR COVERING RIGHT



右车门部件 DOOR COVERING RIGHT

| 序号 NO | 件号 Part.No | 名称 Designation | Name | 数量 Quantity | 适用车型 Suited type | 备注 Remark |
|----------|---------------|-------------------|--------------------------------|----------------|---------------------|-----------------|
| 1 | DZ13241330220 | 右中饰板总成 | Foil middle right assy | 1 | | |
| 2 | DZ13241330220 | 右中饰板总成 | Foil middle right assy | 1 | | |
| 3 | DZ13241330220 | 右中饰板总成 | Foil middle right assy | 1 | | |
| 4 | 06.07159.0008 | 盘头螺钉 | Grooved oval head collar bolt | 2 | | |
| 6 | DZ13241330220 | 右中饰板总成 | Foil middle right assy | 1 | | |
| 7 | DZ13241330152 | 车门内镶板(右) | Door lining assembly right | 1 | | 属 DZ13241330260 |
| 8 | DZ13241330156 | 面料(右) | Door lining assembly right | 1 | | 属 DZ13241330260 |
| 9 | 09.81010.0017 | 工业钉书针 | Industrial stitching needle | 16 | | 属 DZ13241330260 |
| 10 | 81.62640.0092 | 夹箍 | Clamp | 4 | | 属 DZ13241330260 |
| 11 | 81.90685.0374 | 塑料方螺母 | Speed nut | 10 | | |
| 12 | 06.13189.0056 | 簧片螺母 | Speed nut | 2 | | |
| 13 | 06.07159.0008 | 盘头螺钉 | Grooved oval head collar bolt | 13 | | |
| 14 | Q40205 | 大垫圈 | Big washer | 11 | | |
| 15 | 06.07159.0010 | 自攻螺钉 | Grooved oval head collar bolt | 1 | | |
| 16 | DZ13241330415 | 堵塞 | Plug | 4 | | |
| 17 | DZ13241330240 | 右车门扶手总成 | Door handrail right assy | 1 | | |
| 18 | DZ13241330240 | 右车门扶手总成 | Door handrail right assy | 1 | | |
| 19 | DZ13241330132 | 车门扶手外板(右) | Door handrail out board right | 1 | | |
| 21 | Q2744816 | 十字槽沉头自攻螺钉 | Self-tapping countersunk screw | 2 | | |
| 22 | Q40108 | 平垫圈 | Flat washer | 2 | | |
| 23 | 81.62641.6052 | 升降器手柄 | window lifter handle | 1 | | |
| 24 | DZ13241330412 | 手柄护罩 | handle fingerstall | 1 | | |
| 25 | 81.62620.2230 | 右装饰片 | encrust | 1 | | |
| 26 | DZ13241330201 | 装饰片 | encrust | 1 | | |
| 28 | Q3740821 | 沉头铆螺母 | nut | 4 | | |

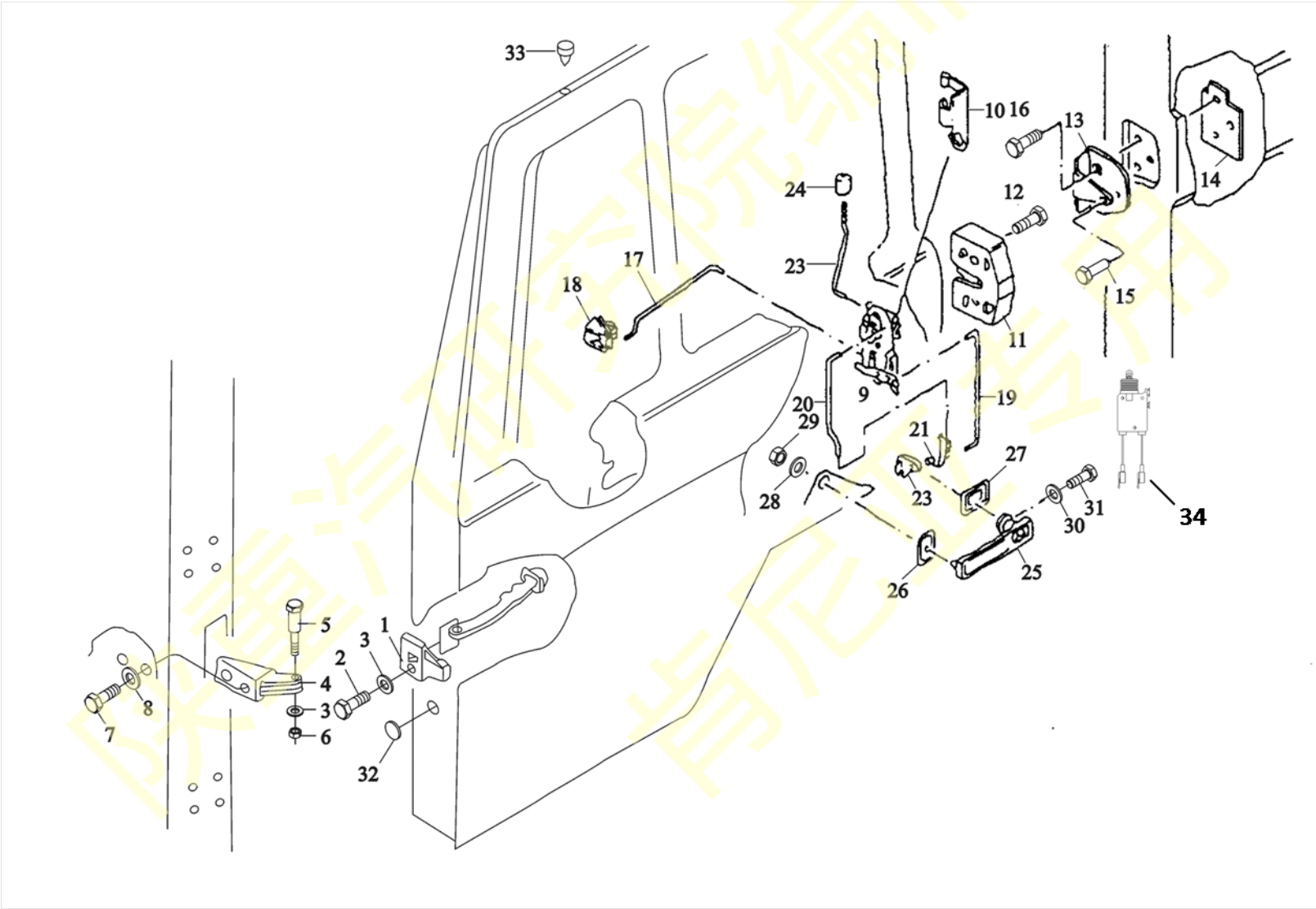
左车门铰链和右车门铰链 DOOR HINGE LEFT AND RIGHT



左车门铰链和右车门铰链 DOOR HINGE LEFT AND RIGHT

| 序号 NO | 件号 Part.No | 名称 Designation | Name | 数量 Quantity | 适用车型 Suited type | 备注 Remark |
|----------|---------------|-------------------|-----------------|----------------|---------------------|------------------------|
| | DZ13241330020 | 车门铰链总成 | Door hinge assy | 4 | | 包含1~4 |
| 1 | DZ13241330022 | 铰链零件II | Hinge part | 4 | | |
| 2 | DZ13241330021 | 铰链零件I | Hinge part | 4 | | |
| 3 | 81.62690.0046 | 衬套 | Bush | 8 | | |
| 4 | 81.62691.0007 | 铰链轴 | Hinge pin | 4 | | |
| 5 | Q150B0825T1F3 | 六角螺栓 | Hex bolt | 32 | | M8×25Z1-8.8-MAN183-A2C |
| 6 | Q40108 | 平垫圈 | Washer | 32 | | |
| 7 | Q40308 | 弹簧垫圈 | Washer | 32 | | |

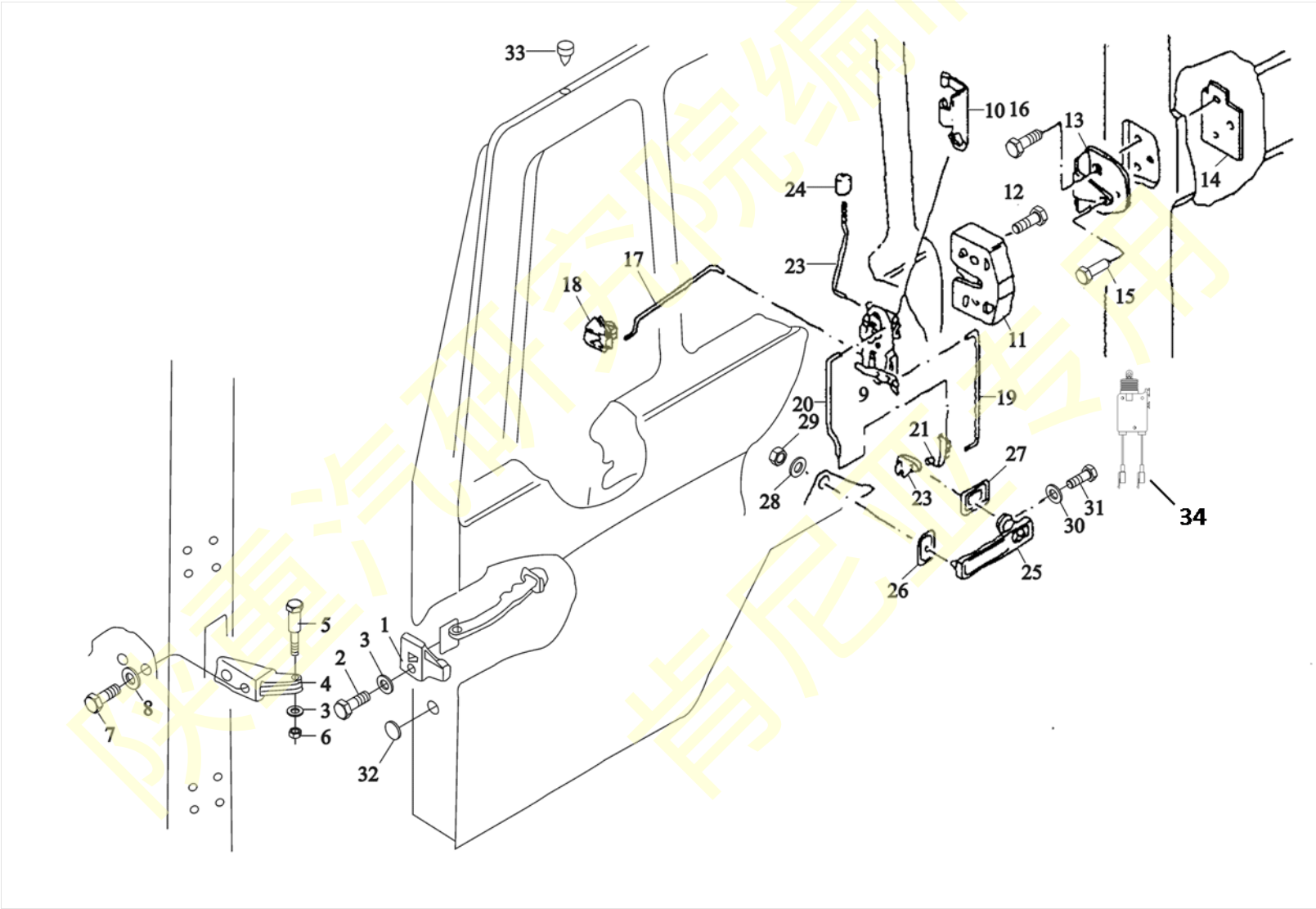
左车门止动器和车门操作系统 DOOR ARRESTOR AND DOOR ACTUATING SYSTEM LEFT



左车门止动器和车门操作系统 DOOR ARRESTOR AND DOOR ACTUATING SYSTEM LEFT

| 序号 NO | 件号 Part.No | 名称 Designation | Name | 数量 Quantity | 适用车型 Suited type | 备注 Remark |
|----------|---------------|-------------------|----------------------------------|----------------|---------------------|--------------------|
| 1 | 81.62670.6011 | 车门止动器 | Door arrestor assembly | 1 | | |
| 2 | Q150B0820 | 六角头螺栓 | Hex bolt | 2 | | M6×16 |
| 3 | Q40108 | 平垫圈 | Washer | 2 | | A6.4×12×1.6-200HV- |
| | Q40308 | 弹簧垫圈 | Washer | 2 | | MAN183-B1 |
| 4 | 81.62692.5001 | 支座总成 | Support assembly | 1 | | |
| 5 | Q2540820 | 十字槽沉头螺钉 | Screw | 1 | | |
| 6 | 06.12072.0153 | 锁紧螺母 | Hex cap lock nut | 1 | | |
| 7 | Q150B0616 | 六角螺栓 | Hex bolt | 2 | | |
| 8 | Q40106 | 垫片 | Washer | 2 | | A8.4×16×1.6-200HV- |
| | Q40306 | 弹簧垫圈 | Washer | 2 | | MAN183-B1 |
| 9 | DZ1643340030 | 左车门锁总成 | Door lock assembly left | 1 | | |
| 10 | 81.62680.0069 | 绿夹子 | Clip green | 4 | | |
| | 81.62680.0058 | 红夹子 | Clip red | 1 | | |
| 11 | 81.62680.6095 | 左锁块 | Lock assembly | 1 | | |
| 12 | 06.02829.0009 | 锁紧螺钉 | Raised counters head lockinscrew | 2 | | |
| 13 | 81.62680.0055 | 碰板 | Striker plate | 1 | | |
| 14 | 81.90750.0571 | 锁柱螺母板 | Threaded plate | 1 | | |
| 15 | 81.62680.0070 | 销子 | Pin | 1 | | |
| 16 | 06.04308.0909 | 沉头螺钉 | Oval-head countersunk screw | 2 | | |
| 17 | 81.62680.0085 | 左操纵杆 | Operating rod left | 1 | | |
| 18 | 81.62680.0083 | 导板 | Guide plate | 1 | | |
| 19 | 81.62680.0074 | 操纵杆(四) | Operating rod | 1 | | |
| 20 | 81.62680.0073 | 操纵杆(三) | Operating rod | 1 | | |
| 21 | 81.62680.0058 | 红夹子 | Clip green | 1 | | |
| 22 | 81.62641.0085 | 左支架总成 | Lever assembly | 1 | | |

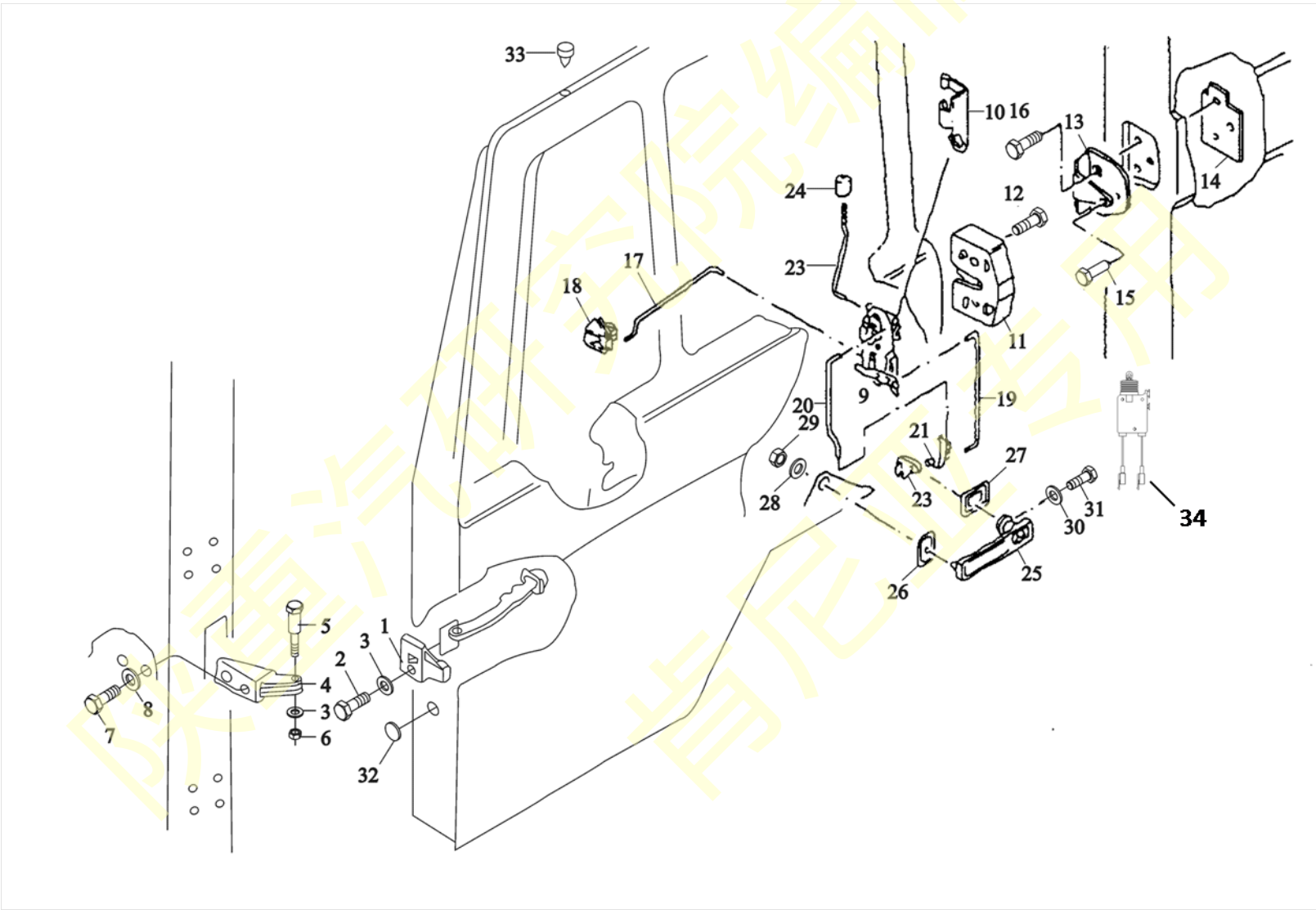
左车门止动器和车门操作系统 DOOR ARRESTOR AND DOOR ACTUATING SYSTEM LEFT



左车门止动器和车门操作系统 DOOR ARRESTOR AND DOOR ACTUATING SYSTEM LEFT

| 序号 NO | 件号 Part.No | 名称 Designation | Name | 数量 Quantity | 适用车型 Suited type | 备注 Remark |
|----------|---------------|-------------------|-----------------------------|----------------|---------------------|---------------------------------|
| 23 | 81.62680.0087 | 左操纵杆 | Operating rod assembly left | 1 | | 适用带中央锁紧装置的驾驶室 |
| | 81.62680.5013 | 左操纵杆 | Operating rod assembly left | 1 | | |
| 24 | 81.62680.0059 | 按钮 | Knob | 1 | | (含左右外手柄、点火开关、油箱、锁芯) |
| 25 | SZ133000701 | 外手柄总成 | Lock set in cab | 1 | | |
| 26 | 81.62642.0032 | 橡胶垫板 | Escutcheon | 1 | | |
| 27 | 81.62642.0031 | 橡胶垫板 | Escutcheon | 1 | | |
| 28 | 06.15191.0207 | 垫片 | Washer | 1 | | 6.4×18×1.6-140HV-MAN183-B1 |
| 29 | 06.11184.0112 | 六角螺母 | Hexagon nut | 1 | | M6-8-MAN183-B1 |
| 30 | Q40308 | 弹簧垫圈 | Washer | 1 | | A6.4×12×1.6-200HV- MAN183-B1 |
| 31 | Q2540820 | 十字槽沉头螺钉 | Pan-head screw | 2 | | M6×10-MK5-4.8-H-A2C |
| 32 | 81.96001.0388 | 穿线护套 | Grommet | 2 | | 仅用于中控锁 |
| 33 | 81.96002.0142 | 塞子 | Plug | 1 | | |
| 34 | DZ13241340410 | 主闭锁器 | Main atresia | 1 | | |

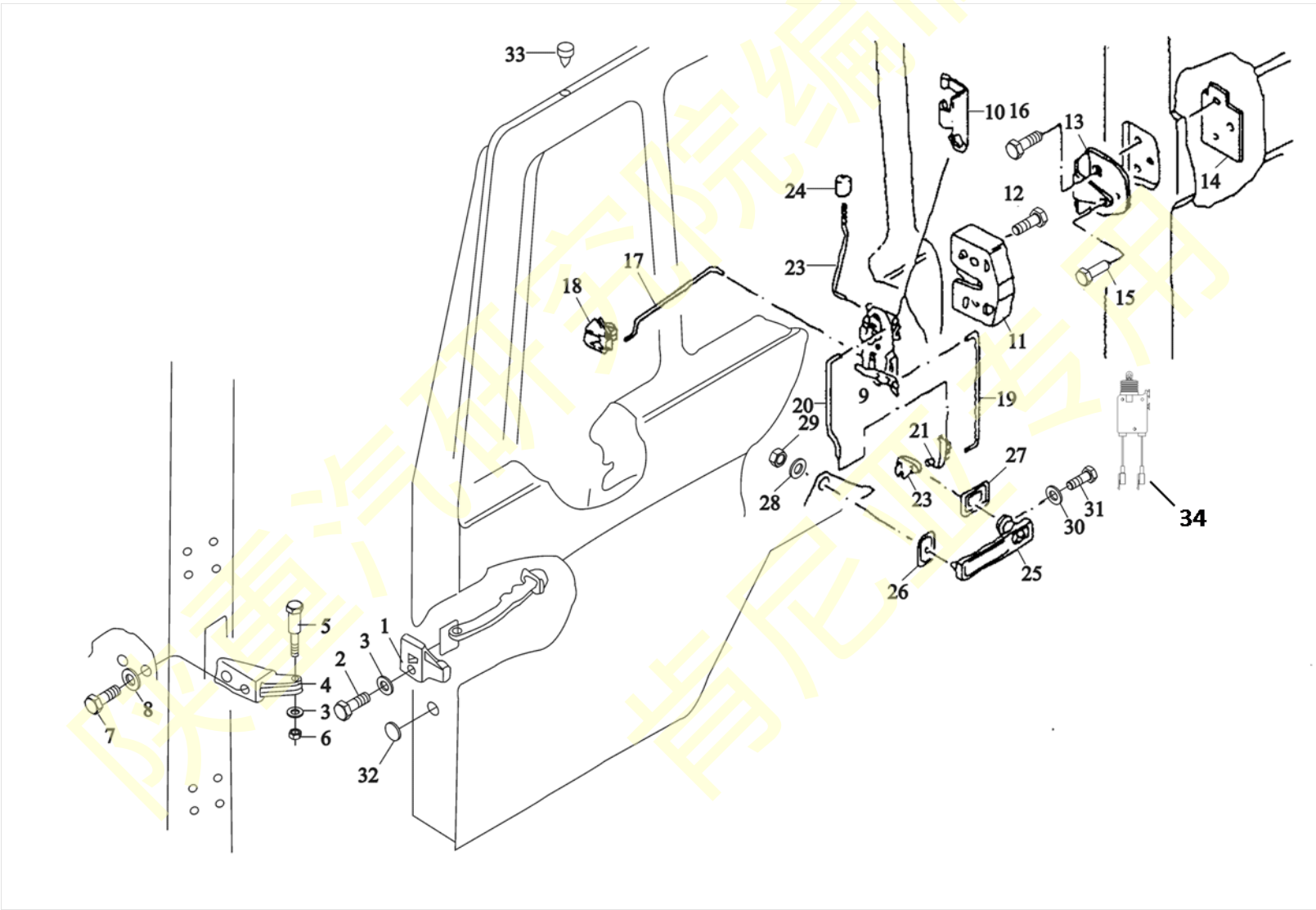
右车门止动器和车门操作系统 DOOR ARRESTOR AND DOOR ACUATING SYSTEM RIGHT



右车门止动器和车门操作系统 DOOR ARRESTOR AND DOOR ACUATING SYSTEM RIGHT

| 序号 NO | 件号 Part.No | 名称 Designation | Name | 数量 Quantity | 适用车型 Suited type | 备注 Remark |
|----------|---------------|-------------------|----------------------------------|----------------|---------------------|------------------------|
| 1 | 81.62670.6011 | 车门止动器 | Door arrestor assembly | 1 | | |
| 2 | Q150B0820 | 六角头螺栓 | Hex bolt | 2 | | M6×12SK-8.8-MAN183-A2C |
| 3 | Q40108 | 平垫圈 | Washer | 2 | | A6.4×12×1.6×200HV- |
| | Q40308 | 弹簧垫圈 | Washer | 2 | | MAN183-B1 |
| 4 | 81.62692.5001 | 支座总成 | Support assembly | 1 | | |
| 5 | Q2540820 | 十字槽沉头螺钉 | Screw | 1 | | |
| 6 | 06.12072.0153 | 锁紧螺母 | Hex cap lock nut | 1 | | |
| 7 | Q150B0616 | 锁紧螺栓 | Hex bolt | 2 | | M6-6-A2C |
| 8 | Q40106 | 平垫圈 | Washer | 2 | | A8.4×16×1.6-200HV- |
| | Q40306 | 弹簧垫圈 | Washer | 2 | | MAN183-B1 |
| 9 | DZ1643340040 | 右车门锁总成 | Door lock assembly | 1 | | |
| 10 | 81.62680.0069 | 绿夹子 | Clip green | 1 | | |
| | 81.62680.0058 | 红夹子 | Clip red | 4 | | |
| 11 | 81.62680.6096 | 右锁块 | Lock assembly | 1 | | |
| 12 | 06.02829.0009 | 锁紧螺钉 | Raised conters head lockingscrew | 2 | | M8×30-MK8-A2 |
| 13 | 81.62680.0055 | 碰板 | Striker plate | 1 | | |
| 14 | 81.90750.0571 | 螺纹板 | Threded plate | 1 | | |
| 15 | 81.62680.0070 | 销子 | Pin | 1 | | |
| 16 | 06.04308.0909 | 沉头螺钉 | Oval-head counter sunk screw | 2 | | M8×16-A2 |
| 17 | 81.62680.0084 | 右操纵杆 | Operating rod right | 1 | | |
| 18 | 81.62680.0083 | 导板 | Guide plate | 1 | | |
| 19 | 81.62680.0074 | 操纵杆（四） | Operating rod | 1 | | |
| 20 | 81.62680.0072 | 操纵杆（二） | Operating rod | 1 | | |
| 21 | 81.62680.0058 | 红夹子 | Clip red | 1 | | |
| 22 | 81.62641.0086 | 右支架总成 | Lever assembly right | 1 | | |

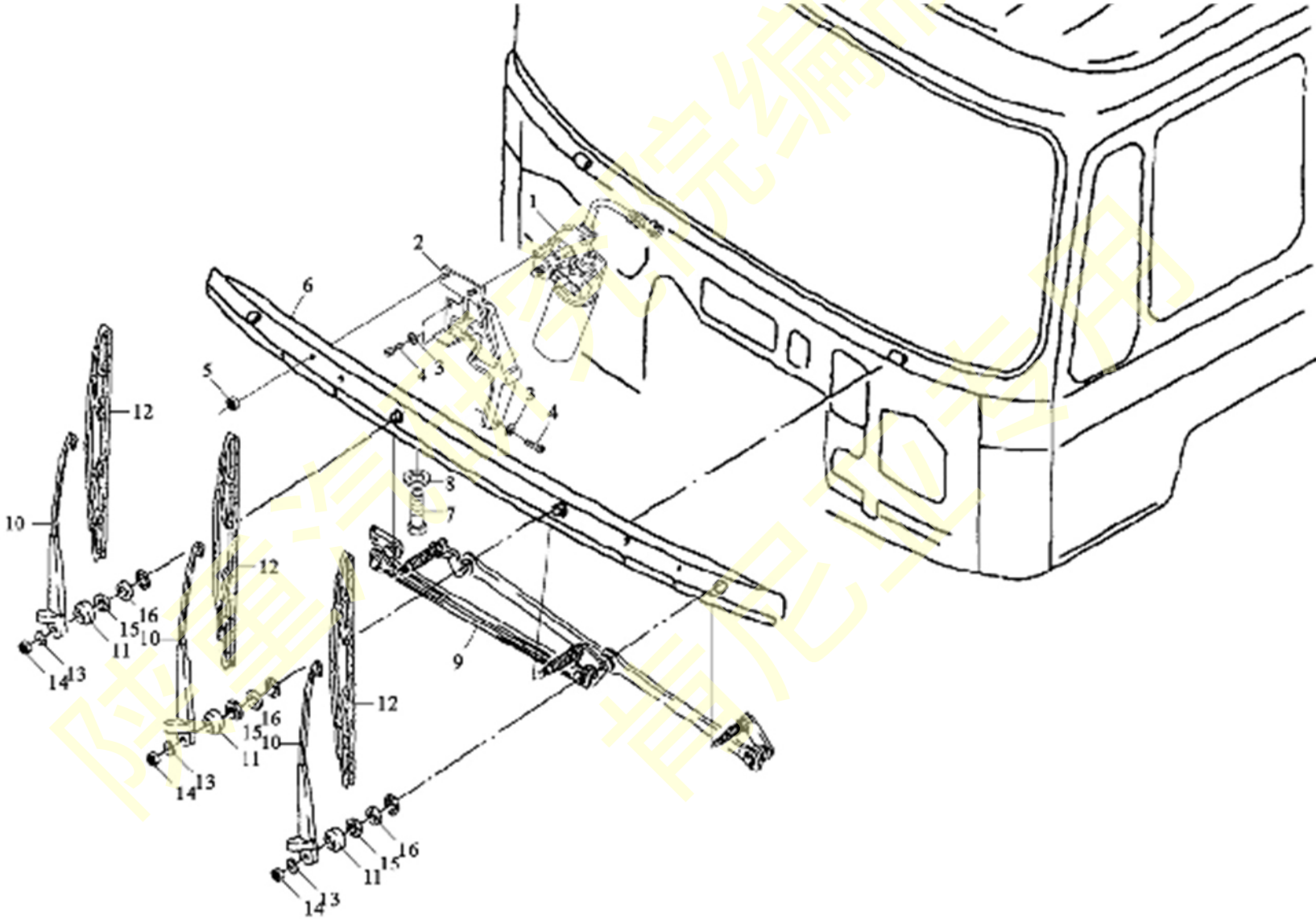
右车门止动器和车门操作系统 DOOR ARRESTOR AND DOOR ACUATING SYSTEM RIGHT



右车门止动器和车门操作系统 DOOR ARRESTOR AND DOOR ACUATING SYSTEM RIGHT

| 序号 NO | 件号 Part.No | 名称 Designation | Name | 数量 Quantity | 适用车型 Suited type | 备注 Remark |
|----------|---------------|-------------------|------------------------------|----------------|---------------------|---------------------------------|
| 23 | 81.62680.0086 | 右操纵杆 | Operating rod assembly right | 1 | | |
| | 81.62680.5014 | 右操纵杆 | Operating rod assembly right | 1 | | |
| 24 | 81.62680.0059 | 按钮 | Knob | 2 | | |
| 25 | SZ133000701 | 外手柄总成 | Lock set in cab | 1 | | |
| 26 | 81.62642.0032 | 橡胶垫板 | Escutcheon | 1 | | |
| 27 | 81.62642.0031 | 橡胶垫板 | Escutcheon | 1 | | |
| 28 | 06.15191.0207 | 垫片 | Washer | 1 | | 6.4×18×1.6-140HV-MAN183-B1 |
| 29 | 06.11184.0112 | 六角螺母 | Hexagon nut | 2 | | M6-8-MAN183-B1 |
| 30 | Q40308 | 弹簧垫圈 | Washer | 1 | | A6.4×12×1.6-200HV- MAN183-B1 |
| 31 | Q2540820 | 盘头螺钉 | Pan-head screw | 2 | | M6×10-MK5-4.8-N-A2C |
| 32 | 81.96001.0388 | 穿线护套 | Pan-head screw | 1 | | |
| 33 | 81.96002.0142 | 塞子 | Plug | 2 | | 8.3×11-13-PE |
| 34 | DZ13241340420 | 副闭锁器 | Fit atresia | 1 | | 仅用于中控锁 |

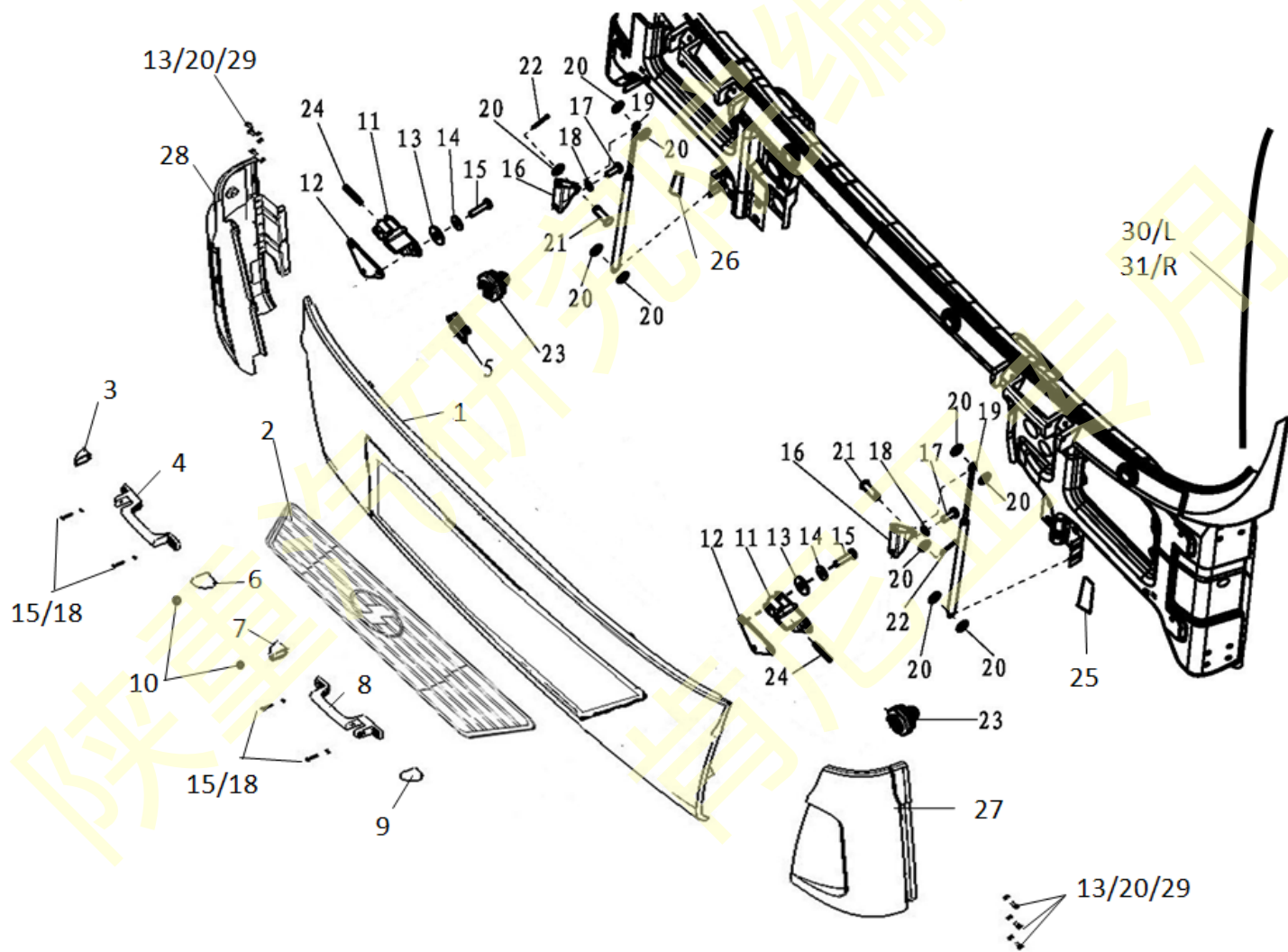
刮水器系统 WIPER SYSTEM



刮水器系统 WIPER SYSTEM

| 序号 NO | 件号 Part.No | 名称 Designation | Name | 数量 Quantity | 适用车型 Suited type | 备注 Remark |
|----------|---------------|---------------------------|------------------------------------|----------------|---------------------|-------------------------|
| 1 | 81.26401.6134 | SWF 刮水器电动机 WW6119/6126 | Wiper motor | 1 | | |
| 2 | 81.26450.5034 | 刮水器电机支架总成 | Bracket assembly | 1 | | |
| 3 | Q40206 | 垫片 | Washer | 3 | | A8.4×16×1.6-200HV-A3C |
| 4 | Q150B0620 | 六角头螺栓 | Hex bolt | 3 | | M8×20SC-8.8-MAN183-A2C |
| 5 | Q32008 | 六角法兰面螺母(镀锌) | Hex collar flange nut(galvanizing) | 2 | | M8-8SB-8-SW13-MAN183-B1 |
| 6 | 81.62410.5033 | 刮水器支架总成 | Wiper carrier wide | 1 | | |
| 7 | Q150B0820 | 六角头螺栓 | Hex bolt | 6 | | M8×20SC-8.8-MAN183-A2C |
| 8 | Q40208 | 垫片 | Washer | 6 | | A8.4×16×1.6-200HV-A3C |
| 9 | 81.26411.6090 | 刮水器连杆总成 | Wiper linkage assembly BOSCH | 1 | | |
| 10 | 81.26430.0083 | 刮水器臂 | Wiper arm swf | 3 | | |
| 11 | 81.96410.0341 | 护帽 | Cap | 3 | | |
| 12 | 81.26440.0038 | 刮水器片 | Wiper blade | 3 | | |
| 13 | 81.90712.0795 | 大垫圈 | Spring washer | 3 | | B10×18-A3C |
| 14 | Q340B10 | 1型六角螺母 | Hexagon nut | 3 | | M10-8-A3C |
| 15 | Q41710 | 鞍形弹性垫圈 | Washer | 3 | | |
| 16 | 81.90501.0113 | 螺母 | Nut | 3 | | M26×1 |

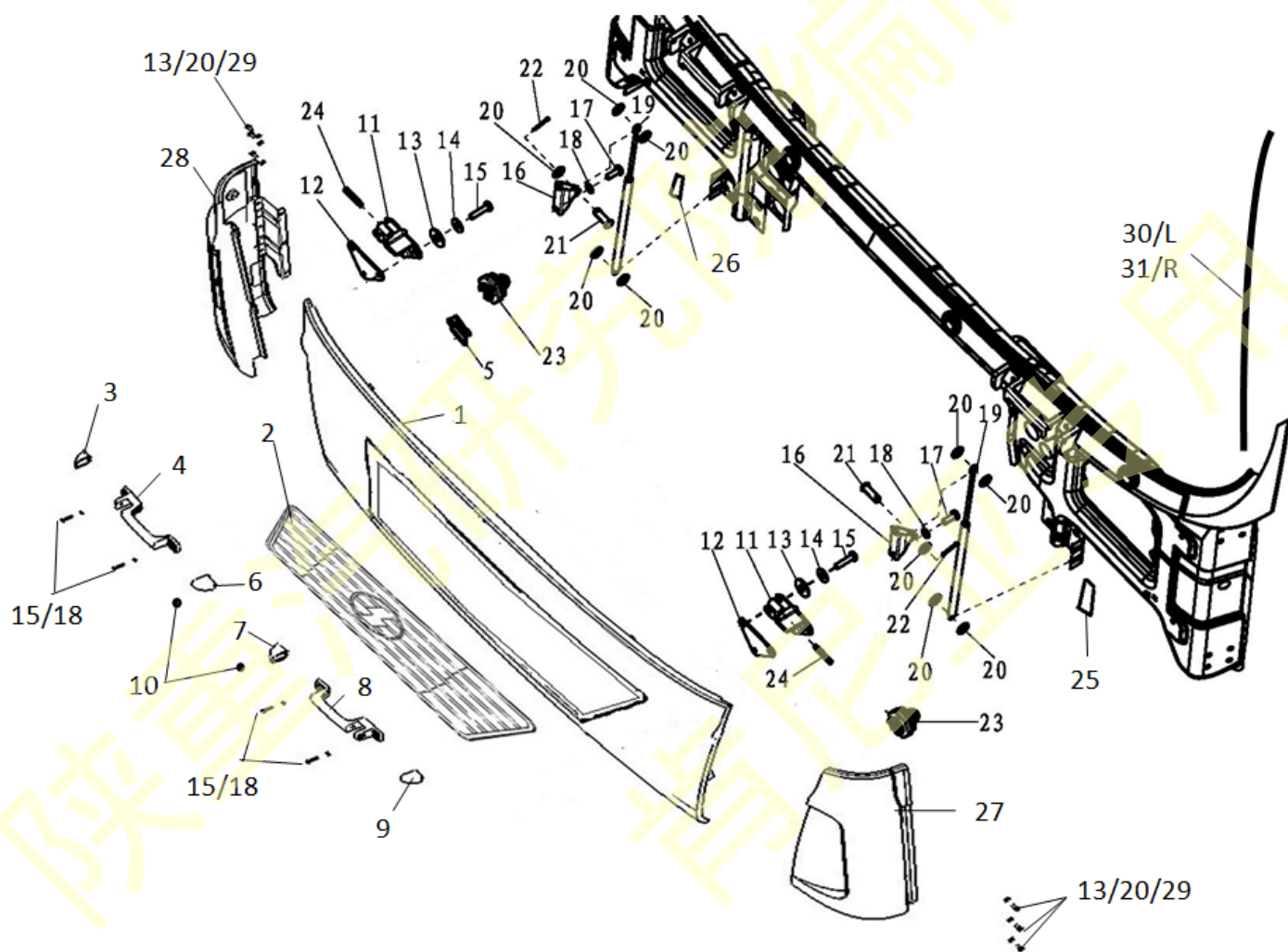
前面罩



前面罩

| 序号 NO | 件号 Part.No | 名称 Designation | Name | 数量 Quantity | 适用车型 Suited type | 备注 Remark |
|----------|---------------|-------------------|----------------------|----------------|---------------------|--------------|
| 1 | DZ1642110044 | 前面罩本体 | Front lid | 1 | | |
| 2 | DZ1642110060 | 护栅(国产) | Grille | 1 | | |
| 3 | 81.97001.0500 | 右帽 | Right shield I | 1 | | |
| 4 | 81.97001.5082 | 右拉手总成 | Right front handrail | 1 | | |
| 5 | 81.92501.0029 | 夹箍 | Fore-outline light | 16 | | |
| 6 | 81.97001.0501 | 左帽 | Lift shield I | 1 | | |
| 7 | 81.97001.0498 | 右盖 | Right shield II | 1 | | |
| 8 | 81.97001.5081 | 左拉手总成 | Left front handrail | 1 | | |
| 9 | 81.97001.0499 | 左盖 | Lift shield II | 1 | | |
| 10 | 81.96002.0347 | 塞子 | Stopper | 2 | | |
| 11 | 81.62440.0031 | 黑色铰链 | Front lid hinge assy | 2 | | |
| 12 | 81.62440.0022 | 衬垫 | Liner | 2 | | |
| 13 | Q40208 | 大垫圈 | Washer | 10 | | |
| 14 | Q40206 | 大垫圈 | Washer | 6 | | |
| 15 | Q150B0625 | 六角头螺栓 | Hex shoulder stud | 14 | | |
| 16 | 81.62440.0023 | 气弹簧支架 | Air spring support | 2 | | |
| 17 | Q150B0616 | 六角头螺栓 | Hex shoulder stud | 4 | | |
| 18 | Q40106 | 平垫圈 | Washer | 12 | | |
| 19 | DZ13241110033 | 气压弹簧 | Air spring assy | 2 | | |
| 20 | Q5100824 | 销轴 | Pin roll | 2 | | |
| 21 | Q40108 | 平垫圈 | Washer | 22 | | |
| 22 | Q5002020 | 开口销 | Cotter | 4 | | |

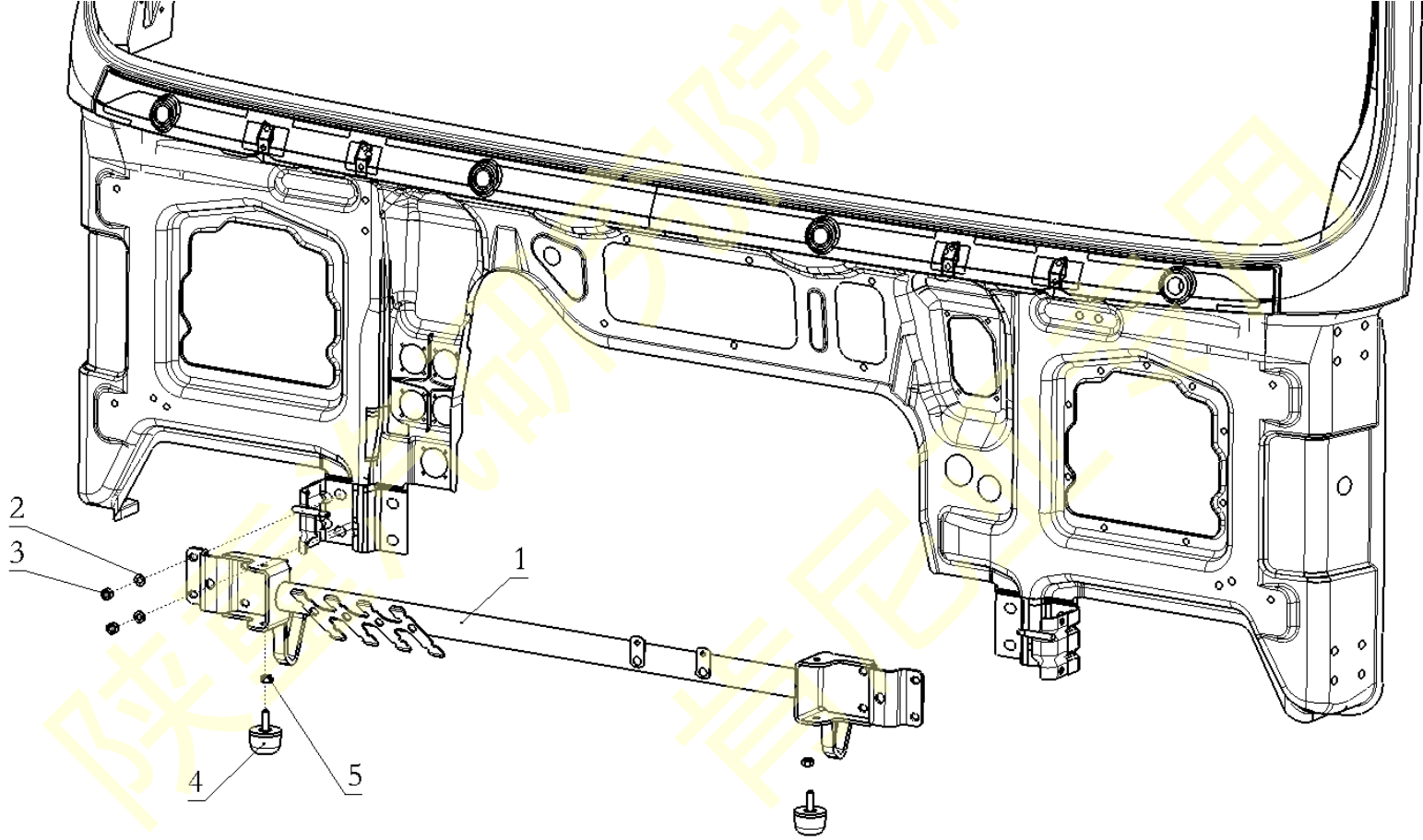
前面罩



前面罩

| 序号 NO | 件号 Part.No | 名称 Designation | Name | 数量 Quantity | 适用车型 Suited type | 备注 Remark |
|----------|---------------|-------------------|---------------------------------------|----------------|---------------------|--------------|
| 23 | DZ1642110010 | 缓冲件 | Buffer | 2 | | |
| 24 | 81.90201.0163 | 铰链销 | Pin roll | 2 | | |
| 25 | DZ1642110030 | 左支架总成 | Left trestle | 2 | | |
| 26 | DZ1642110040 | 右支架总成 | Right trestle | 2 | | |
| 27 | DZ13241870025 | 左前侧盖板 | Left air deflector external board | 1 | | |
| 28 | DZ13241870026 | 右前侧盖板 | Right air deflector external board | 1 | | |
| 29 | Q150B0820 | 六角头螺栓 | Hex shoulder stud | 10 | | |
| 30 | 81.62910.0051 | 雨槽护套左 | Left sheath | 1 | | |
| 31 | 81.62910.0052 | 雨槽护套右 | Right sheath | 1 | | |

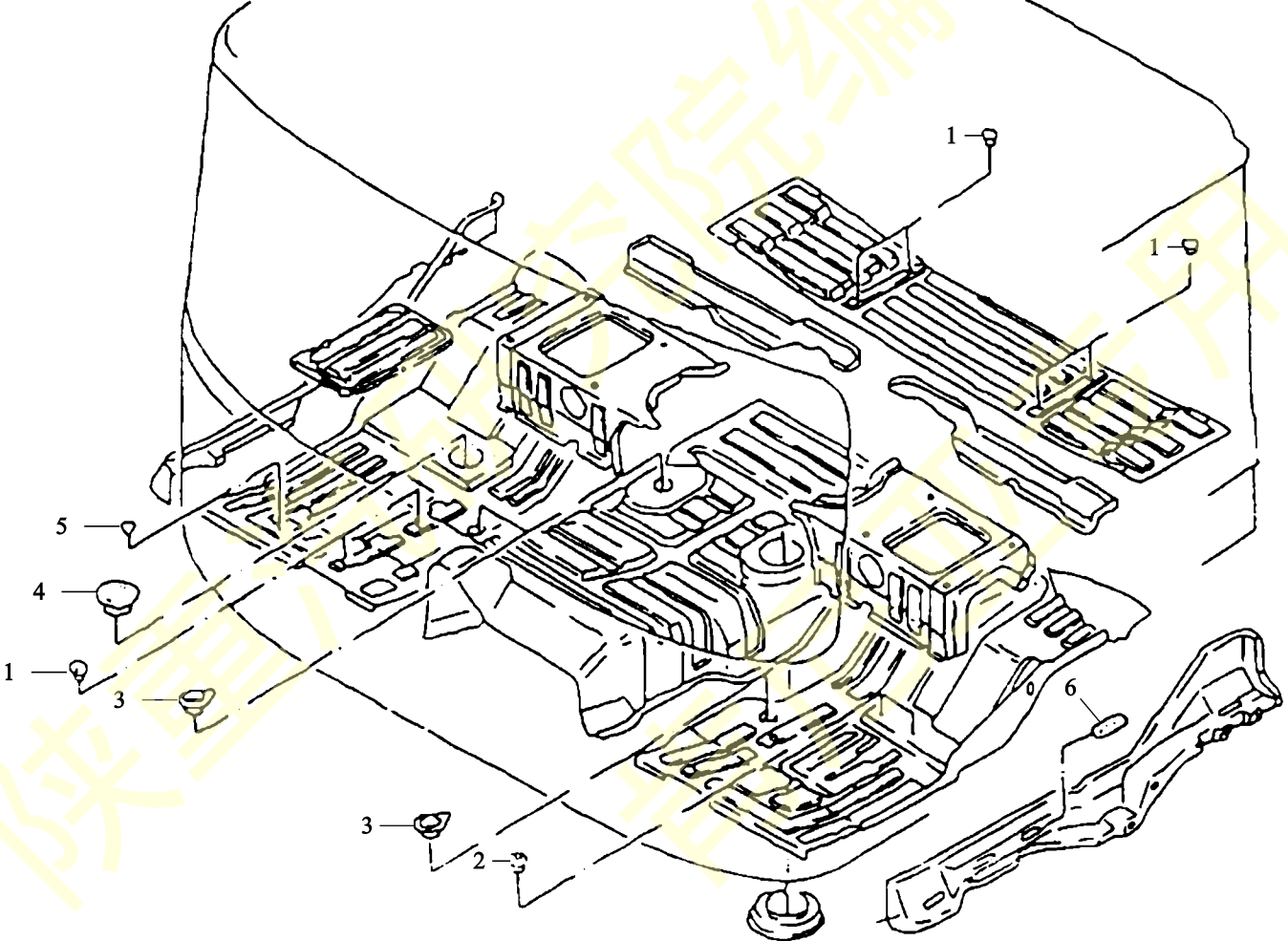
装配件 Decorative Assembly



装配件 Decorative Assembly

| 序号 NO | 件号 Part.No | 名称 Designation | Name | 数量 Quantity | 适用车型 Suited type | 备注 Remark |
|----------|---------------|-------------------|-----------------------|----------------|---------------------|--------------|
| 1 | SZ197000001 | 横梁总成 | Cross member assembly | 1 | 左置 | |
| | DZ13241970001 | 横梁总成 | Cross member assembly | 1 | 右置 | |
| 2 | Q40110 | 平垫圈 | Washer | 8 | | |
| 3 | Q340B10 | I型六角螺母 | Hex nut | 8 | | |
| 4 | DZ13241430536 | 缓冲块 | Buffer | 2 | | |
| 5 | Q33410 | I型全金属六角锁紧螺母 | Hex nut | 2 | | |

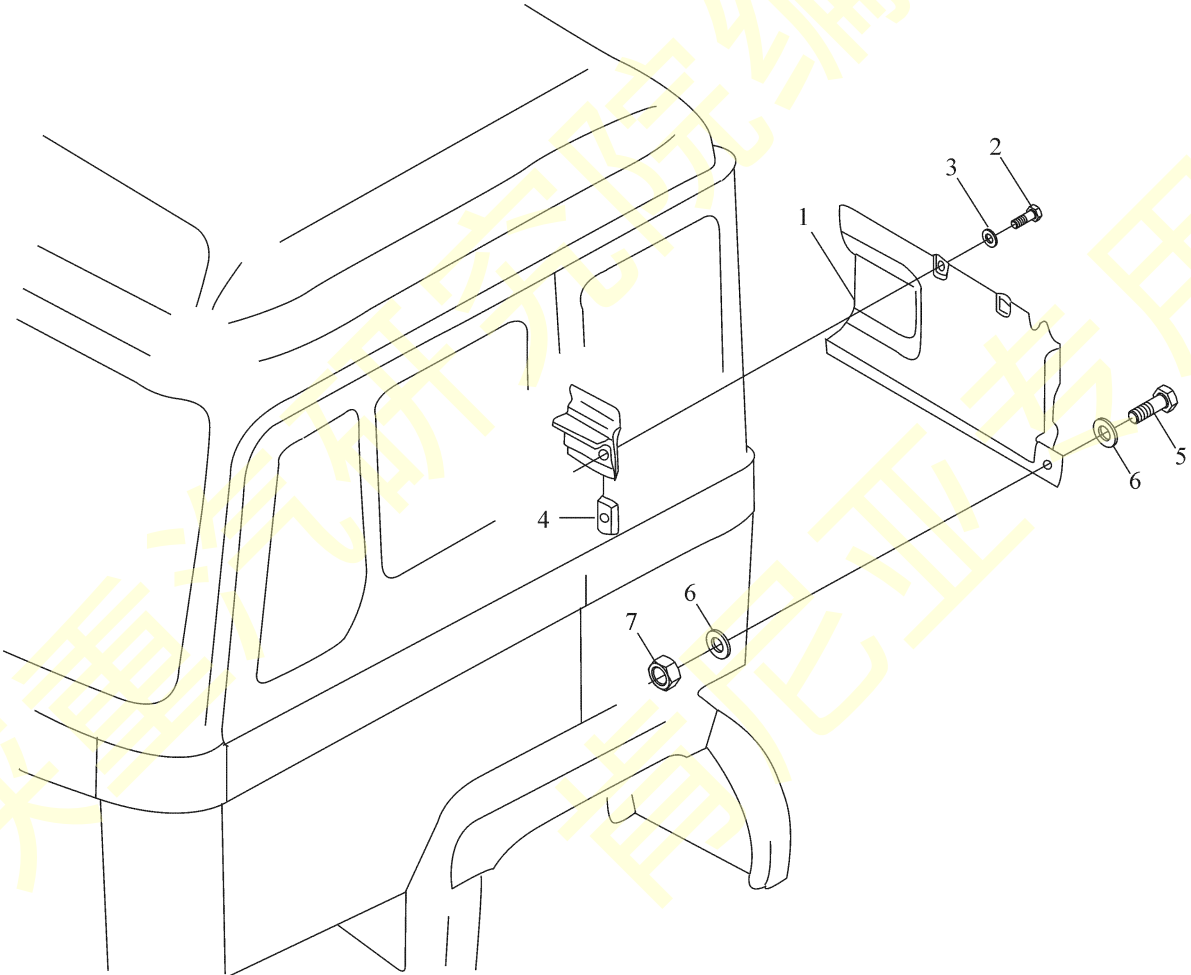
装配件 Decorative Assembly



装配件 Decorative Assembly

| 序号 NO | 件号 Part.No | 名称 Designation | Name | 数量 Quantity | 适用车型 Suited type | 备注 Remark |
|----------|---------------|-------------------|-----------------------|----------------|---------------------|----------------------------|
| 1 | 81.96002.0154 | 堵 塞 | Plug | 6 | | 20.7×8-25-PE-SW |
| 2 | 81.96002.0428 | 塞 子 | Plug | 2 | | 20.7×8-25-PE |
| 3 | 81.96002.0308 | 带有凸耳的锥形罩 | Tapered plug with tab | 3 | | |
| 4 | 81.96002.0312 | 塞 子 | Plug | 1 | | 102.5×18-124-PE |
| 5 | 81.96002.0063 | 塞 子 | Plug | 5 | | 8.4×6-14-PE |
| 6 | 81.96410.0502 | 塞 子 | Plug | 10 | | 85.5×20.6×7-89×24-M3165-P2 |

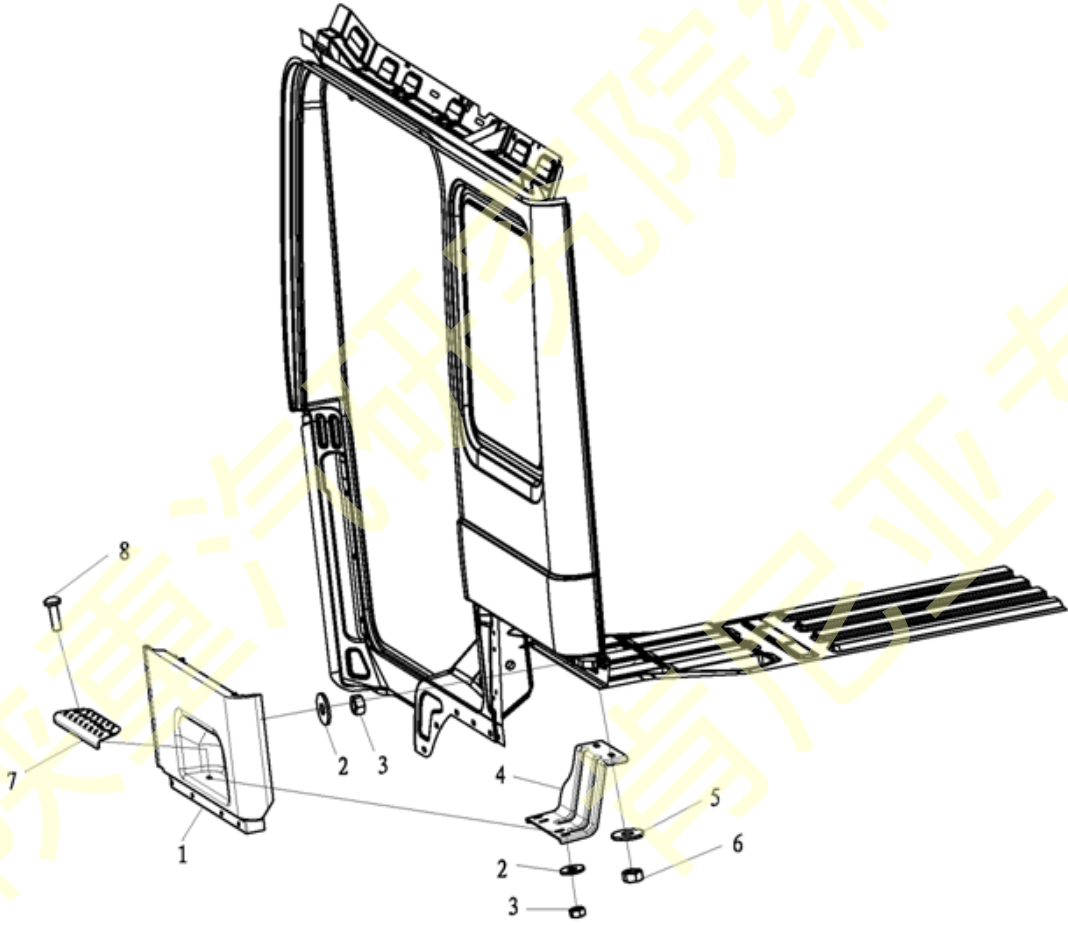
装配件 Decorative Assembly



装配件 Decorative Assembly

| 序号 NO | 件号 Part.No | 名称 Designation | Name | 数量 Quantity | 适用车型 Suited type | 备注 Remark |
|----------|---------------|-------------------|--------------------------|----------------|---------------------|--------------|
| 1 | 81.62710.0002 | 左后护盖 | Covering panel left rear | 1 | N、J | 高通道驾驶室无此件 |
| | DZ1644930011 | 左后护盖 | Covering panel left rear | 1 | D | 高通道驾驶室无此件 |
| 2 | 06.07154.4504 | 自攻螺钉 | screw | 2 | | |
| 3 | 06.15199.0006 | 垫圈 | Washer | 2 | | |
| 4 | 06.13189.0058 | 簧片螺母 | Speed nut | 2 | | |
| 5 | 06.04209.0015 | 盘头螺钉 | Pan-head screw | 1 | | |
| 6 | 06.15199.0004 | 垫圈 | Washer | 2 | | |
| 7 | 06.11240.0203 | 六角锁紧螺母 | Hex lock nut | 1 | | |

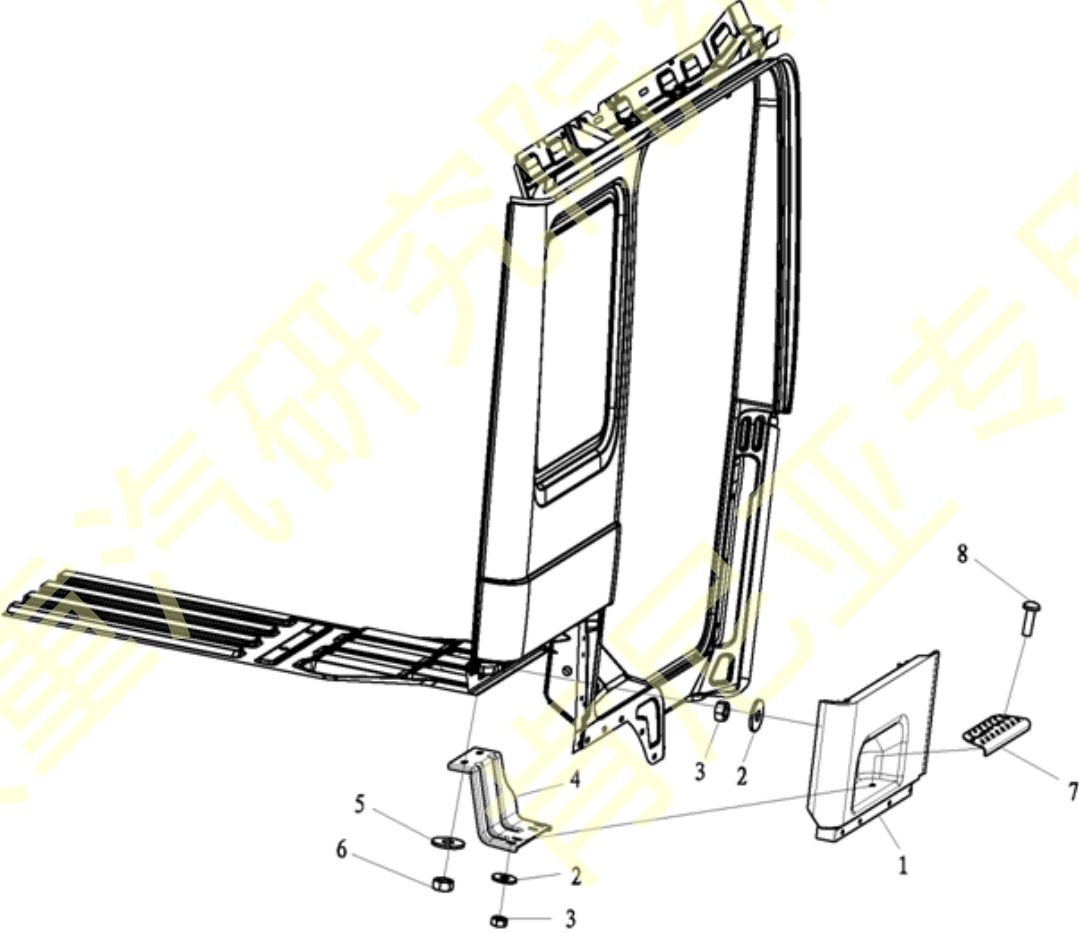
装配件 Decorative Assembly



装配件 Decorative Assembly

| 序号 NO | 件号 Part.No | 名称 Designation | Name | 数量 Quantity | 适用车型 Suited type | 备注 Remark |
|----------|---------------|-------------------|---------------------|----------------|---------------------|--------------|
| 1 | DZ13241930015 | 左脚踏板安装板 | Mudguards left rear | 1 | 带侧围脚踏车型 | D 驾驶室 |
| | DZ13241930011 | 左脚踏板安装板 | Mudguards left rear | 1 | 带侧围脚踏车型 | NJ 驾驶室 |
| 2 | Q40206 | 大垫圈 | Washer | 4 | 带侧围脚踏车型 | |
| 3 | Q340B06 | 1 型六角螺母 | Hex nut | 4 | 带侧围脚踏车型 | |
| 4 | DZ13241930013 | 左托架 | Bracket left | 1 | 带侧围脚踏车型 | |
| 5 | Q40208 | 大垫圈 | Washer | 2 | 带侧围脚踏车型 | |
| 6 | Q340B08 | 1 型六角螺母 | Hex nut | 2 | 带侧围脚踏车型 | |
| 7 | DZ13241930021 | 脚踏板 | Mudguards | 1 | 带侧围脚踏车型 | |
| 8 | Q2140620 | 十字槽盘头螺钉 | Screw | 2 | 带侧围脚踏车型 | |

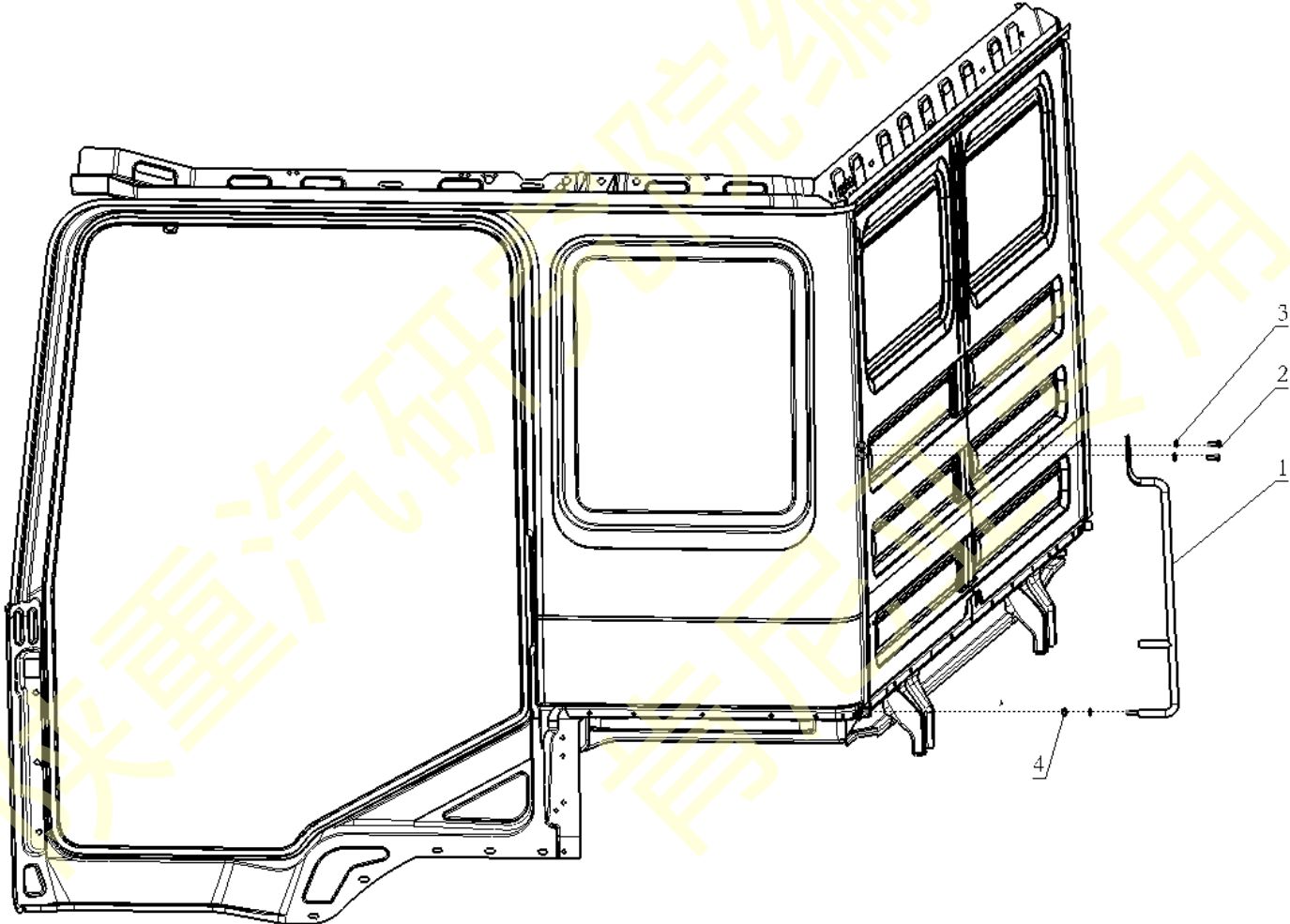
装配件 Decorative Assembly



装配件 Decorative Assembly

| 序号 NO | 件号 Part.No | 名称 Designation | Name | 数量 Quantity | 适用车型 Suited type | 备注 Remark |
|----------|---------------|-------------------|----------------------|----------------|---------------------|--------------|
| 1 | DZ13241930016 | 右脚踏板安装板 | Mudguards left right | 1 | 带侧围脚踏车型 | D 驾驶室 |
| | DZ13241930012 | 右脚踏板安装板 | Mudguards left right | 1 | 带侧围脚踏车型 | NJ 驾驶室 |
| 2 | Q40206 | 大垫圈 | Washer | 4 | 带侧围脚踏车型 | |
| 3 | Q340B06 | 1 型六角螺母 | Hex nut | 4 | 带侧围脚踏车型 | |
| 4 | DZ13241930014 | 右托架 | Bracket right | 1 | 带侧围脚踏车型 | |
| 5 | Q40208 | 大垫圈 | Washer | 2 | 带侧围脚踏车型 | |
| 6 | Q340B08 | 1 型六角螺母 | Hex nut | 2 | 带侧围脚踏车型 | |
| 7 | DZ13241930021 | 脚踏板 | Mudguards | 1 | 带侧围脚踏车型 | |
| 8 | Q2140620 | 十字槽盘头螺钉 | Screw | 2 | 带侧围脚踏车型 | |

装配件 Decorative Assembly

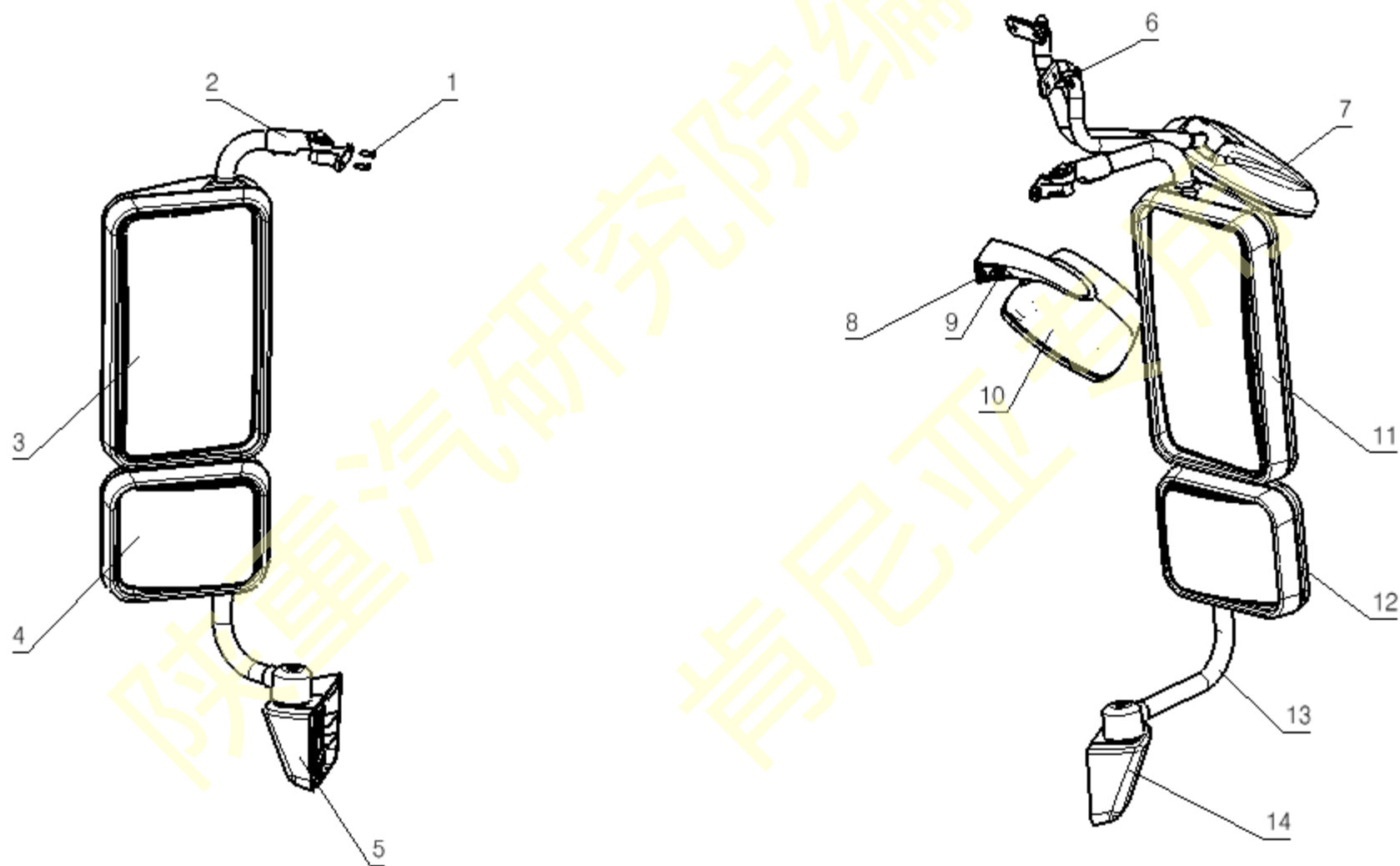


装配件 Decorative Assembly

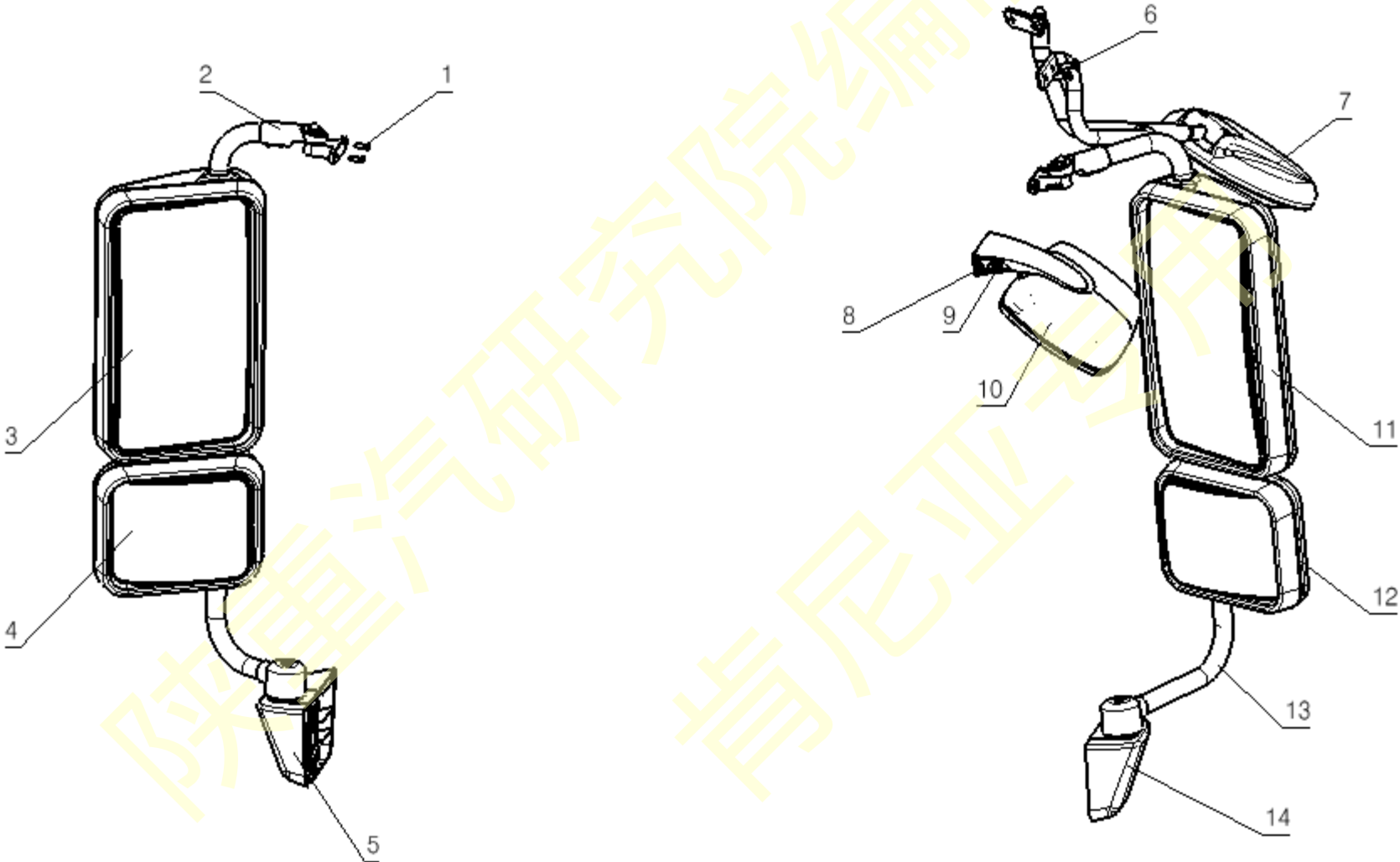
| 序号 NO | 件号 Part.No | 名称 Designation | Name | 数量 Quantity | 适用车型 Suited type | 备注 Remark |
|----------|---------------|-------------------|------------------|----------------|---------------------|--------------|
| 1 | 81.97001.5085 | 后扶手 | Grab handle rear | 1 | 带后上车扶手车型 | |
| 2 | Q150B0820 | 六角头螺栓 | Hex bolt | 2 | 带后上车扶手车型 | |
| 3 | Q40108 | 平垫圈 | Washer | 3 | 带后上车扶手车型 | |
| 4 | Q340B08 | 1型六角螺母 | Hex nut | 1 | 带后上车扶手车型 | |

倒车镜 rearview

后视镜总成 VIEW MIRROR



后视镜总成 VIEW MIRROR

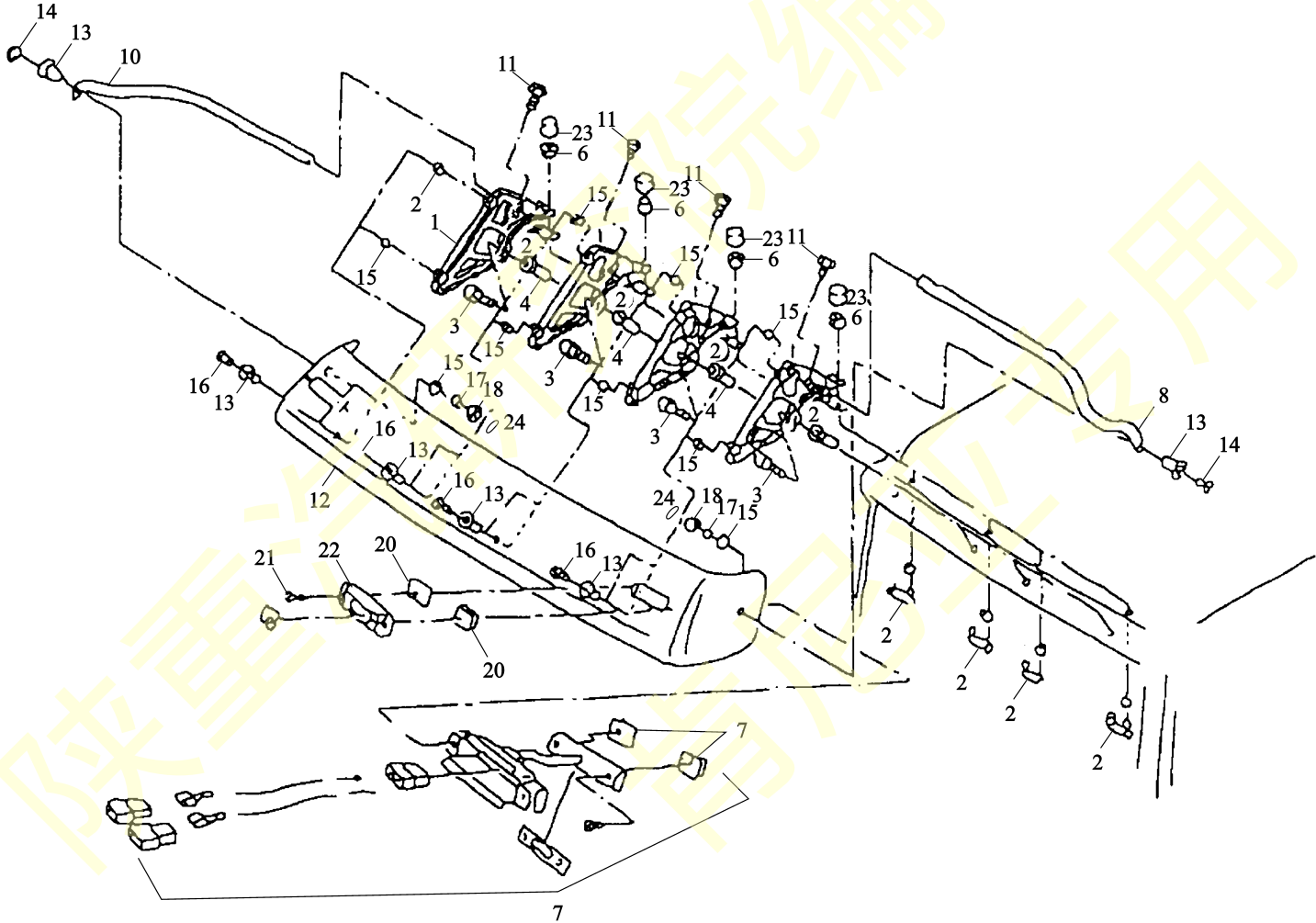


后视镜总成 VIEW MIRROR

| 序号 NO | 件号 Part.No | 名称 Designation | Name | 数量 Quantity | 适用车型 Suited | 备注 Remark |
|----------|---------------|-------------------|--|----------------|----------------|----------------------------------|
| 7 | DZ13241770940 | 前视镜总成 | Front view mirror assy | 1 | | |
| | DZ13241771940 | 前视镜总成/右置 | Front view mirror assy (RH) | 1 | | |
| 8 | Q40106F60 | 平垫圈 | Washer | 2 | | 右置 |
| 9 | Q2140616F60 | 十字槽盘头螺钉 | Pan head screw | 2 | | |
| 10 | DZ13241770930 | 补盲外视镜总成 | Blind view mirror assy | 1 | | |
| 11 | DZ13241770912 | 主外后视镜总成 | Main out View mirror assy | 1 | | |
| | DZ13241770952 | 主外后视镜总成/电加热 | Main out View mirror assy/E-heat | 1 | | |
| | DZ13241770972 | 主外后视镜总成/电动电加热 | Main out View mirror assy/E-heat | 1 | | |
| 12 | DZ13241770913 | 广角外视镜总成 | Wide angle view mirror assy | 1 | | |
| | DZ13241770953 | 广角外视镜总成/电加热 | Wide angle view mirror assy/E-heat | 1 | | |
| | DZ13241770973 | 广角外视镜总成/电动电加热 | Wide angle view mirror assy/E-heat | 1 | | |
| 13 | DZ13241770921 | 右后视镜支架总成/左置 | Right view mirror bracket assy | 1 | | 电加热 |
| | DZ13241770961 | 右后视镜支架总成/左置/电加热 | Right view mirror bracket assy/E-heat | 1 | | 电动电加热 |
| | DZ13241770981 | 右后视镜支架总成/左置/电动电加热 | Right view mirror bracket assy/E-heat /motor | 1 | | |
| | DZ13241771921 | 右后视镜支架总成/右置 | Right view mirror bracket assy (RH) | 1 | | 电加热 |
| | DZ13241771961 | 右后视镜支架总成/右置/电加热 | Right view mirror bracket assy/E-heat | 1 | | 电动电加热 |
| | DZ13241771981 | 右后视镜支架总成/右置/电动电加热 | Right view mirror bracket assy/E-heat /motor | 1 | | |
| 14 | DZ13241770924 | 右下防尘盖 | RH dust cap | 1 | | 电加热 电动电加热 右置 右置/电加热 |

外遮阳板 Outer sun visor

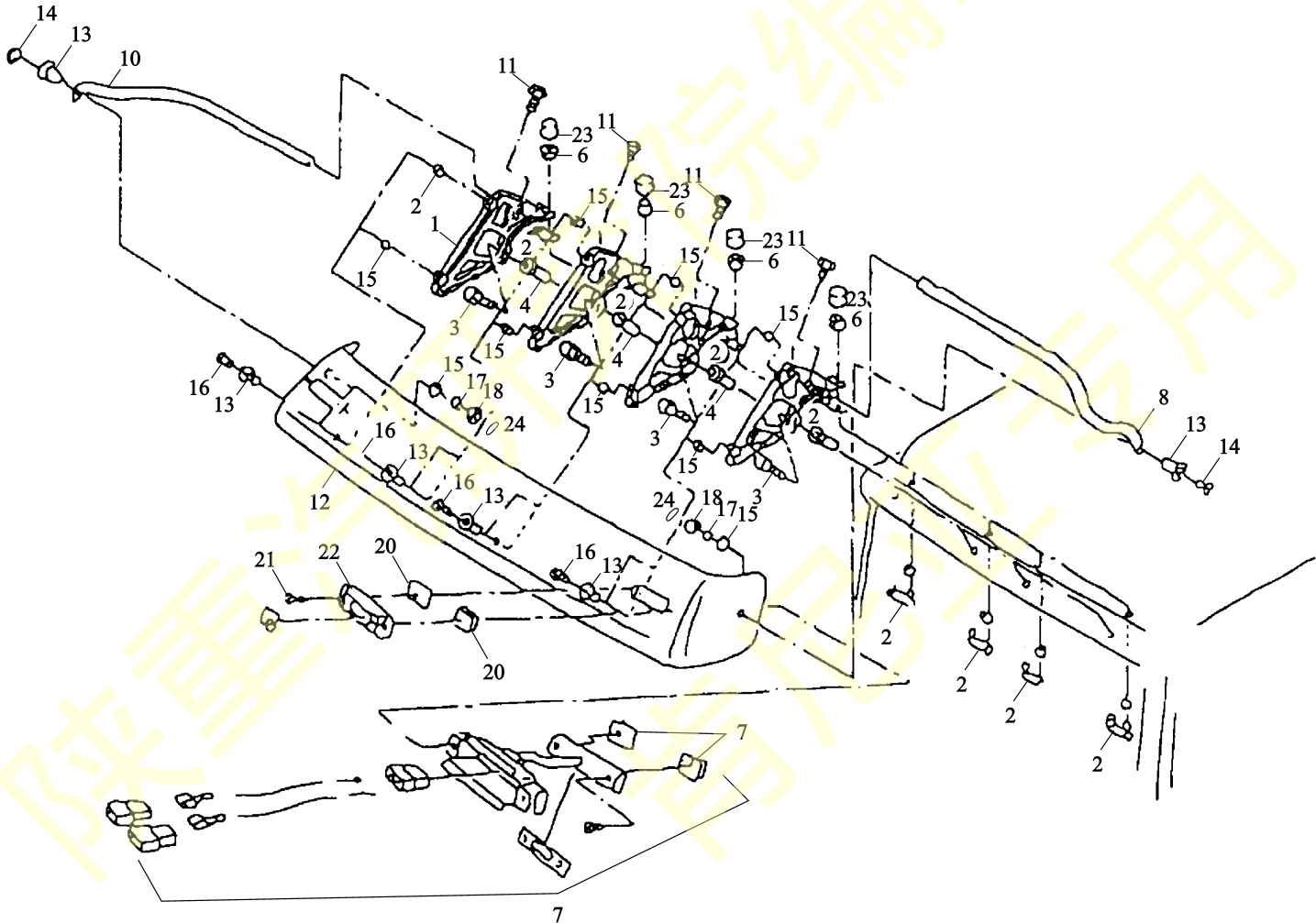
SUN VISOR 遮阳板



遮阳板 SUN VISOR

| 序号 NO | 件号 Part.No | 名称 Designation | Name | 数量 Quantity | 适用车型 Suited type | 备注 Remark |
|----------|---------------|-------------------|---|----------------|---------------------|----------------------------|
| 1 | 81.63735.0025 | 装配支架 | Mounting bracket | 4 | | |
| 2 | 81.63735.5005 | 搭接板总成 | Fish plate assembly | 4 | | |
| 3 | 06.01470.0516 | 螺栓 | Hex bolt | 4 | | M8×35Z1-8.8-MAN183-A2C |
| 4 | 06.13169.0007 | 空心铆接螺母 | Blind rivet nut | 4 | | AM5×15.2-CR60/CUZN |
| 5 | 81.63735.0018 | 密封垫 | Packing | 4 | | |
| 6 | 06.11229.0003 | 锁紧螺母 | Hex collar lock nut | 8 | | M8SC-8-A3C |
| 7 | 81.63701.6023 | 橡胶过渡组件(带线束) | | 2 | | |
| 8 | 06.13189.0012 | 簧片螺母 | Speed nut | 4 | | ST4.2-2-A3C |
| 9 | 81.63701.0023 | 左支架管 | Support tube left | 1 | | |
| 10 | 81.63701.0022 | 右支架管 | Support tube right | 1 | | |
| 11 | 81.90470.0607 | 带槽的椭圆头螺钉 | Grooved oval head screw | 4 | | PT-KA6×50-WN1442-ST-A3B |
| 12 | 81.63701.0021 | 宽遮阳板 | Sun visor wide | 1 | | |
| 13 | 81.96210.0509 | 隔套 | Spacer bush | 10 | | |
| 14 | 06.04201.8611 | 盘头螺钉 | Oval-head countersunk screw | 2 | | |
| 15 | 81.96601.0456 | 非石棉密封件 | Seal asbestos-free | 10 | | |
| 16 | 81.90470.0626 | 带内扭矩的螺钉 | Grooved raised head coll. screw with internal torx | 8 | | PT-K6×30-WN1451-ST-T25-A3L |

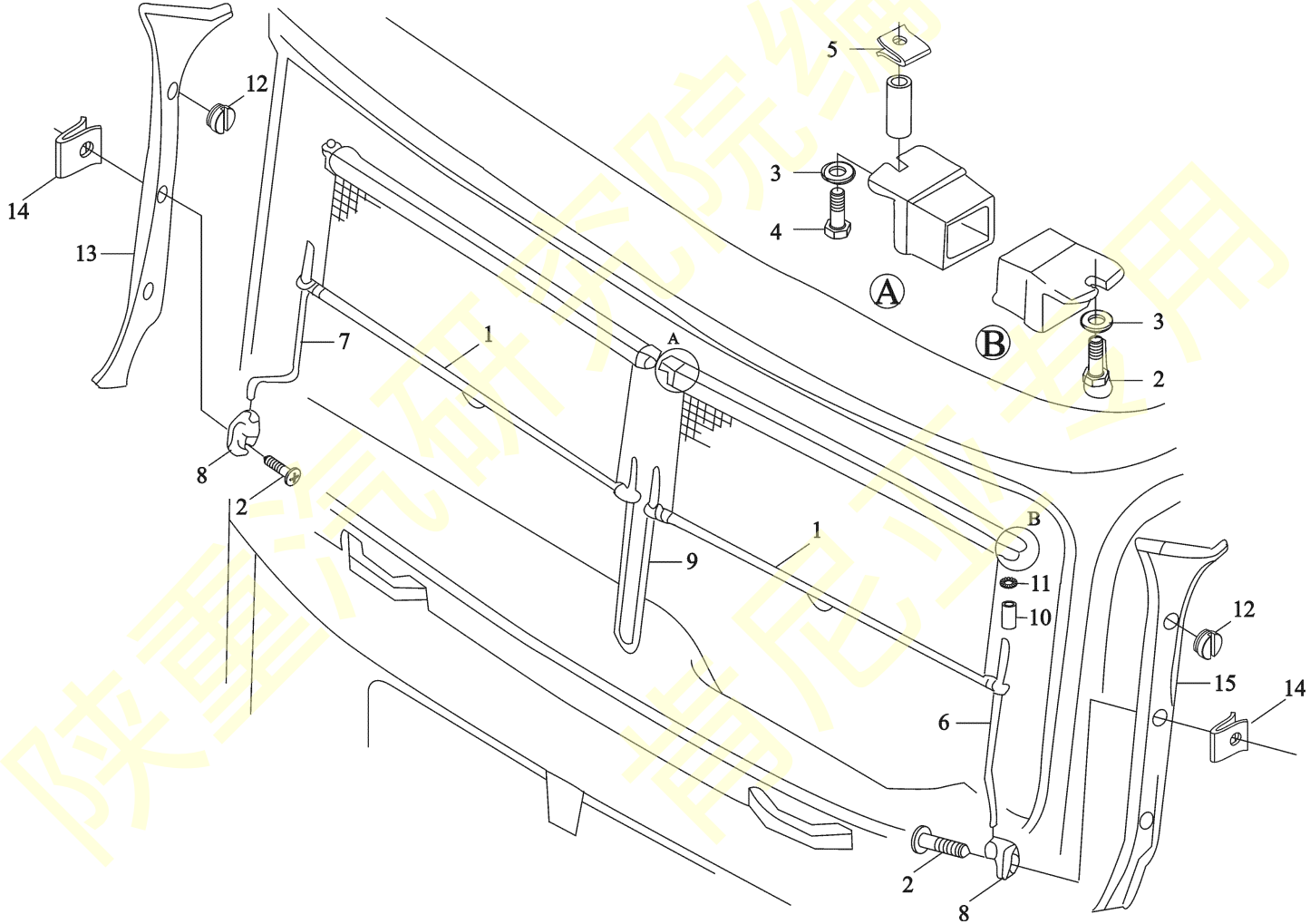
SUN VISOR 遮阳板



遮阳板 SUN VISOR

| 序号 NO | 件号 Part.No | 名称 Designation | Name | 数量 Quantity | 适用车型 Suited type | 备注 Remark |
|----------|---------------|-------------------|------------------------------|----------------|---------------------|----------------------------|
| 17 | 06.15191.0207 | 垫圈 | Washer | 2 | | 6.4×18×1.6-140HV-MAN183-B1 |
| 18 | 06.11184.0112 | 锁紧螺母 | Hex lock nut | 2 | | AM6-8-MAN183-B1 |
| 19 | 81.63701.0013 | 示高灯塑料座 | Adapter | 2 | | |
| 20 | 06.13189.0071 | 簧片螺母 | Speed nut | 4 | | ST4.2-7-A3C |
| 21 | 06.13189.0012 | 簧片螺母 | Speed nut | 4 | | ST4.2-2-A3C |
| 22 | 06.07175.1506 | 自攻螺钉 | Self-tapping oval head screw | 4 | | ST4.2×22C-H-A3R |
| 23 | 81.96410.0503 | 盖 | Cap | 12 | | |
| 24 | 82.96002.0017 | 帽 | Cap | 2 | | |

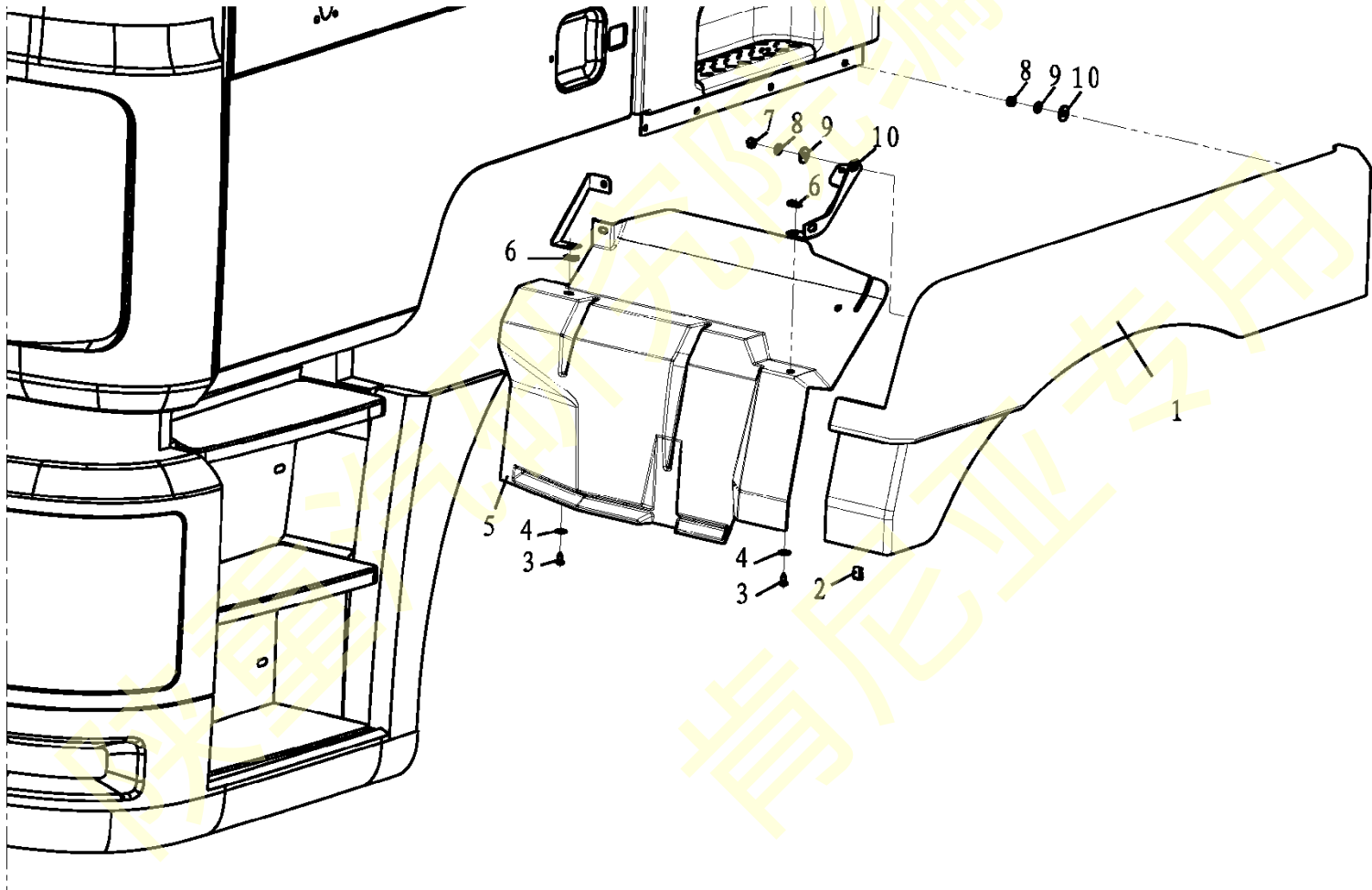
遮阳帘 SUN VISOR ROLLER



遮阳帘 SUN VISOR ROLLER

| 序号 NO | 件号 Part.No | 名称 Designation | Name | 数量 Quantity | 适用车型 Suited type | 备注 Remark |
|----------|---------------|-------------------|------------------------|----------------|---------------------|----------------------|
| 1 | DZ13241770095 | 遮阳卷帘 | Roller sun visor | 2 | | SHACMAN |
| 1 | 81.63703.6019 | 遮阳卷帘 | | 2 | | |
| 2 | Q2714838 | 十字槽盘头自攻螺钉 | Oval-head self-tapping | 4 | | ST4.8×25C-H-A3R |
| 3 | Q40205 | 大垫圈 | screw | 4 | | 5.3×15×1.2-140HV-A3R |
| 4 | Q2714825 | 十字槽盘头自攻螺钉 | Washer | 2 | | ST4.8×38C-H-A3R |
| 5 | Q39748201 | A型簧片螺母 | Oval-head self-tapping | 2 | | ST4.8-1-A3C |
| 6 | 81.63703.0049 | 左导向杆(遮阳卷帘附件) | Guide rod left | 1 | | |
| 7 | 81.63703.0050 | 右导向杆(遮阳卷帘附件) | Guide rod right | 1 | | |
| 8 | 81.63703.0051 | 固定架(遮阳卷帘附件) | Holder | 2 | | |
| 9 | 81.63703.0048 | 中间导向杆(遮阳卷帘附件) | Guide rod center | 1 | | |
| 10 | 81.96020.0192 | 缓冲器(遮阳卷帘附件) | Buffer | 4 | | |
| 11 | 81.90820.0153 | 锁片(遮阳卷帘附件) | Lock | 4 | | |
| 12 | 81.96002.0303 | 塞子 D34*24*4 | Plug | 4 | | D34×24×4 |
| 13 | 81.62430.0017 | 左上护罩 | Covering left, upper | 1 | | |
| 14 | 06.13189.0039 | 簧片螺母 ST4.2-3-A3C | Speed nut | 4 | | ST4.2-3-A3C |
| 15 | 81.62430.0016 | 右上护罩 | Covering right, upper | 1 | | |

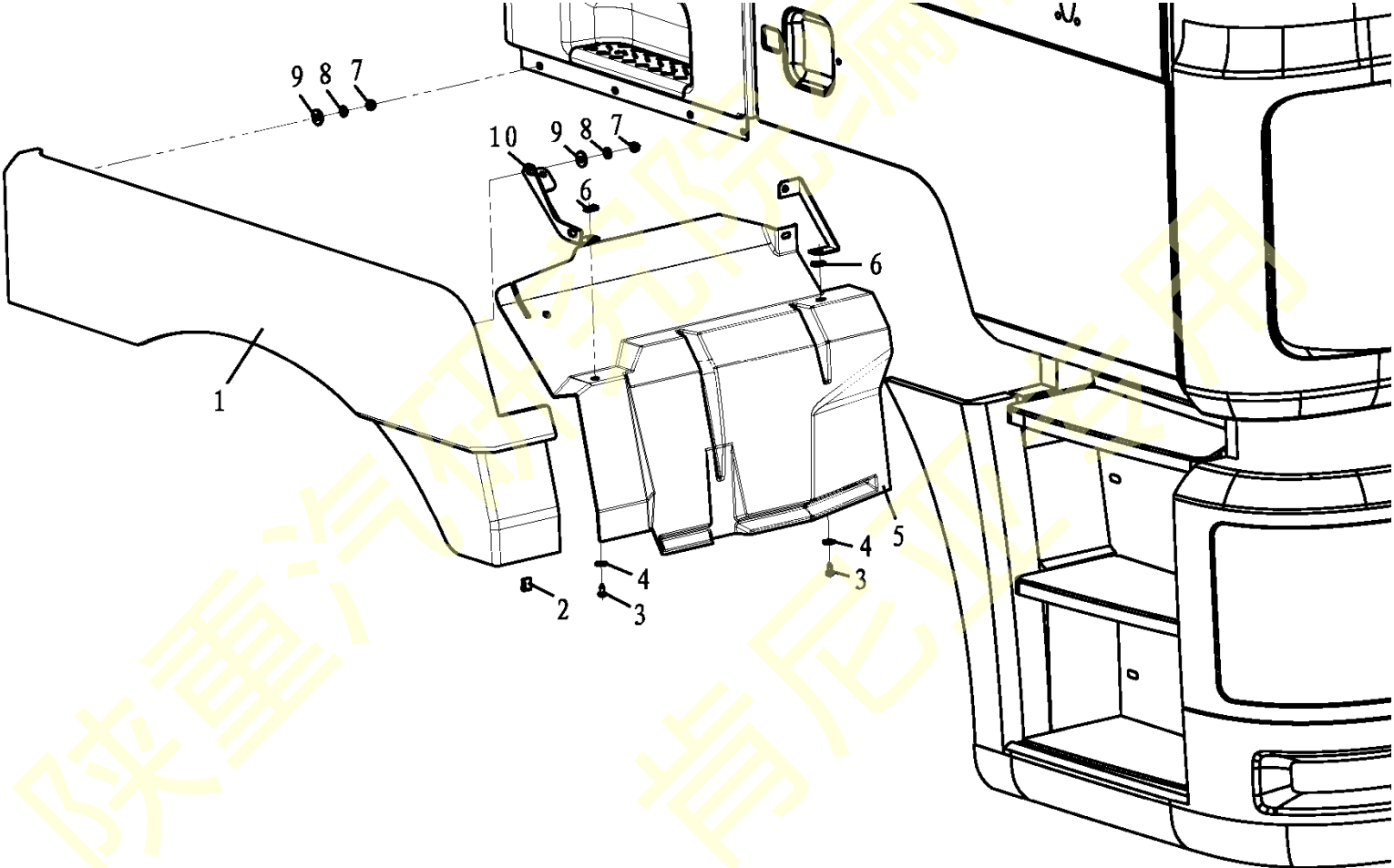
翼子板 Fender
左翼子板 LEFT FENDER



左翼子板 LEFT FENDER

| 序号 NO | 件号 Part.No | 名称 Designation | Name | 数量 Quantity | 适用车型 Suited type | 备注 Remark |
|----------|---------------|-------------------|------------------------------|----------------|---------------------|--------------|
| 1 | DZ1640230215 | 左前翼子板 | Mudguards assembly left | 1 | | |
| 2 | 81.97640.0278 | U型夹 | Clamp | 1 | | |
| 3 | Q2540830 | 十字槽盘头自攻螺钉 | Oval-head self-tapping screw | 4 | | |
| 4 | Q40108 | 大垫圈 | Washer | 4 | | |
| 5 | 81.61230.0067 | 左前挡泥板 | Guard plate left wide | 1 | | |
| 6 | Q33408 | 簧片螺母 ST6. 3-5-SW | Speed nut | 4 | | |
| 7 | Q340B08 | 1型六角螺母 | Hexagon nut | 8 | | |
| 8 | Q40308 | 弹簧垫圈 | Washer | 8 | | |
| 9 | Q40208 | 大垫圈 | Washer | 8 | | |
| 10 | 81.61243.0095 | 角架 | Angle bracket left | 1 | | |

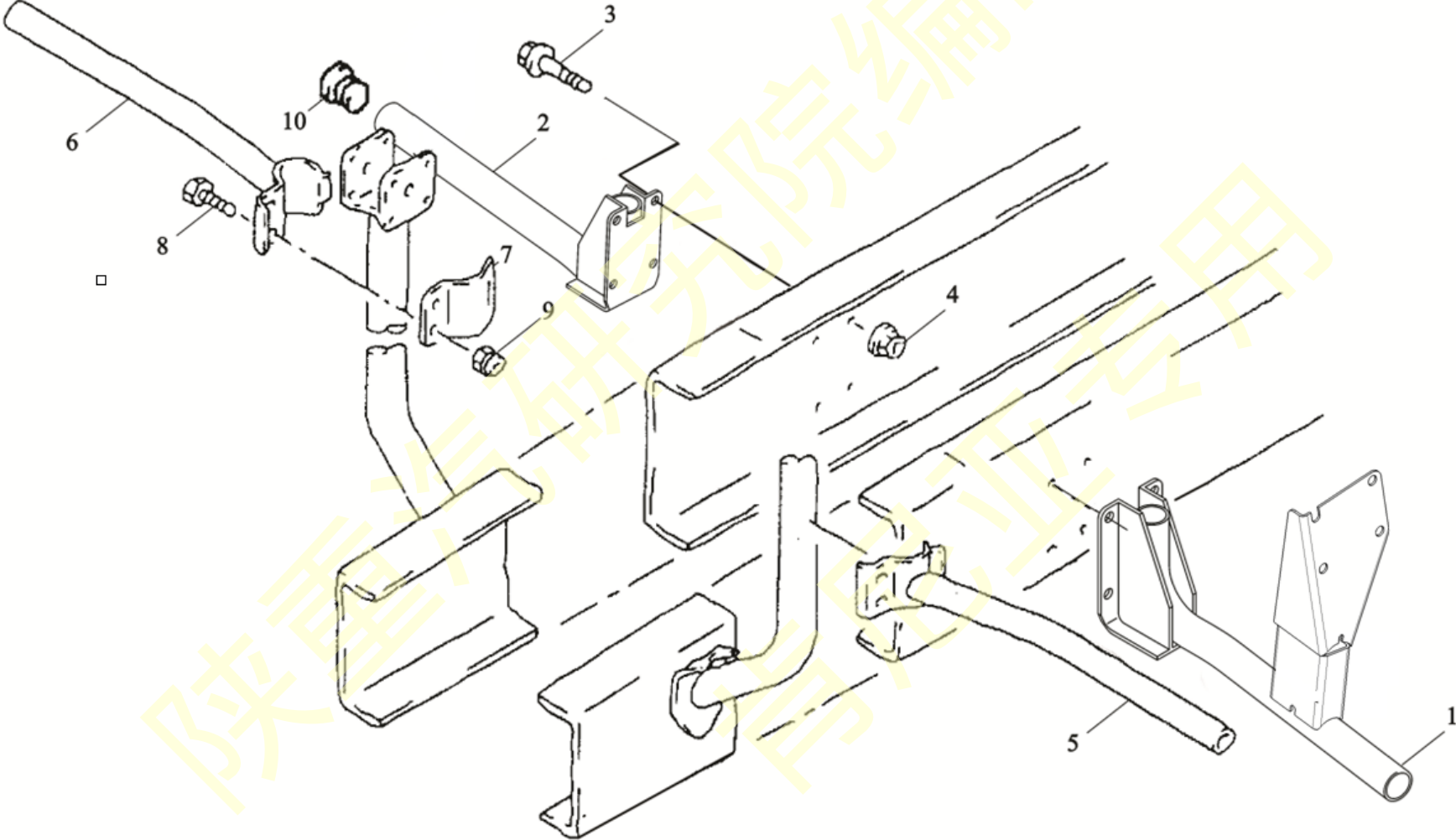
右翼子板 RIGHT FENDER



右翼子板 RIGHT FENDER

| 序号 NO | 件号 Part.No | 名称 Designation | Name | 数量 Quantity | 适用车型 Suited type | 备注 Remark |
|----------|---------------|-------------------|------------------------------|----------------|---------------------|--------------|
| 1 | DZ1640230216 | 右前翼子板 | Mudguards assembly left | 1 | | |
| 2 | 81.97640.0278 | U型夹 | Clamp | 1 | | |
| 3 | Q2716316 | 十字槽盘头自攻螺钉 | Oval-head self-tapping screw | 4 | | |
| 4 | Q40206 | 大垫圈 | Washer | 4 | | |
| 5 | DZ1640230024 | 右前挡泥板 | Guard plate left wide | 1 | | |
| 6 | 06.13189.0078 | 簧片螺母 ST6. 3-5-SW | Speed nut | 4 | | |
| 7 | Q340B08 | 1型六角螺母 | Hexagon nut | 8 | | |
| 8 | Q40308 | 弹簧垫圈 | Spring washer | 8 | | |
| 9 | Q40208 | 大垫圈 | Large washer | 8 | | |
| 10 | 81.61243.0094 | 角架 | Angle bracket left | 1 | | |

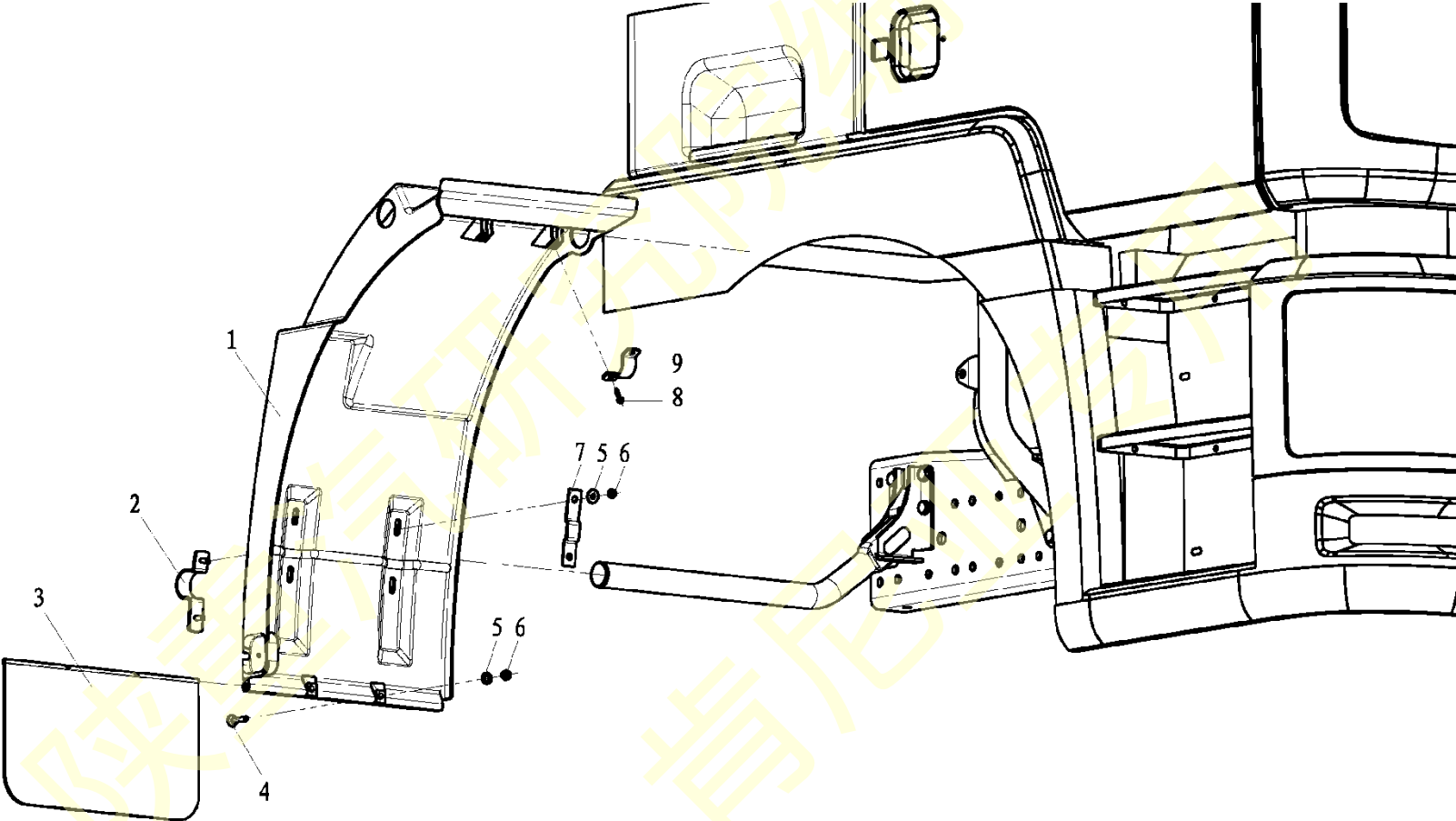
左、右翼子板支架 LEFT/RIGHT FENDER BRACKET



左、右翼子板支架 LEFT/RIGHT FENDER BRACKET

| 序号 NO | 件号 Part.No | 名称 Designation | Name | 数量 Quantity | 适用车型 Suited type | 备注 Remark |
|----------|---------------|-------------------|------------------------|----------------|---------------------|--------------|
| 1 | DZ1640230018 | 左后翼子板支架总成 | Bracket assembly left | 1 | | |
| 2 | DZ1640230019 | 右后翼子板支架总成 | Bracket assembly right | 1 | | |
| 3 | Q151B1440T1F3 | 六角螺栓 | Hex bolt | 8 | | |
| 4 | 190003888454 | 自锁螺母 | Hex lock screw | 8 | | |
| 5 | DZ1640230210 | 左前支架总成 | Bracket assembly left | 1 | | |
| 6 | DZ1640230220 | 右前支架总成 | Bracket assembly right | 1 | | |
| 7 | DZ1640230213 | 夹片 | Mounting clamp | 2 | | |
| 8 | Q150B1030 | 六角螺栓 | Hex bolt | 4 | | |
| 9 | Q33210T2F3 | 六角锁紧螺母 | Hex lock nut | 4 | | |
| 10 | 81.96002.0416 | 盲盖 | Plug | 2 | | |

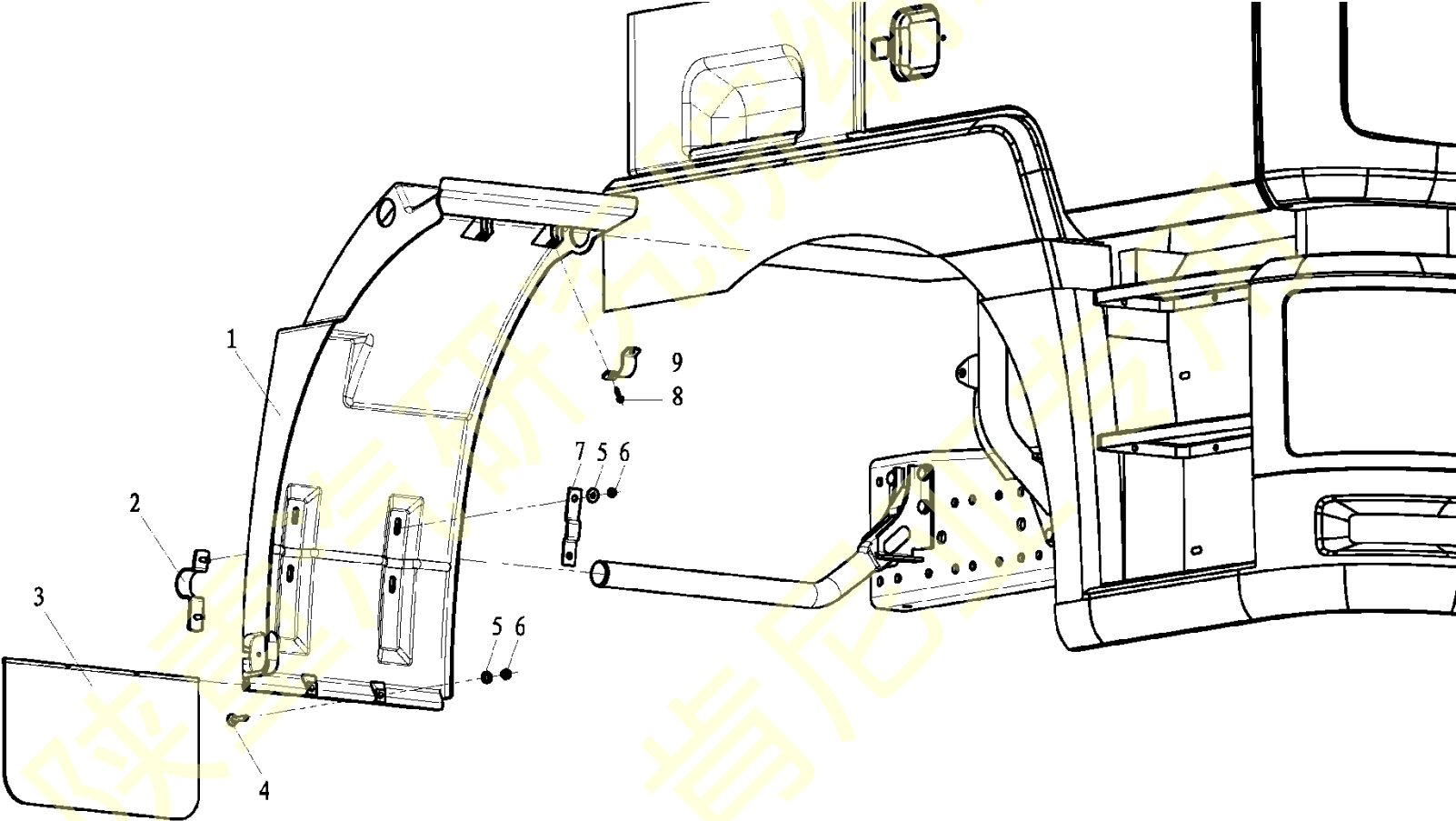
驾驶室后侧左翼子板 FENDER LEFT BEHIND CAB



驾驶室后侧左翼子板 FENDER LEFT BEHIND CAB

| 序号 NO | 件号 Part.No | 名称 Designation | Name | 数量 Quantity | 适用车型 Suited type | 备注 Remark |
|----------|---------------|-------------------|-------------------------|----------------|---------------------|--------------|
| 1 | DZ1640230207 | 左后翼子板 | Mudguards left rear | 1 | | |
| 2 | 81.61243.5268 | 夹片总成 | Clip assembly | 2 | | |
| 3 | DZ13241230101 | 挡泥板 | Mud flap | 1 | | |
| 4 | Q2540835 | 十字槽沉头螺钉 | Countersunk screw | 2 | | |
| 5 | Q40108 | 平垫圈 | Washer | 6 | | |
| 6 | Q33208T2F3 | I型全金属六角锁紧螺母 | Hexagon nut | 6 | | |
| 7 | 81.61243.0091 | 搭接板 | Fish plate | 2 | | |
| 8 | Q2610520 | 六角头自攻锁紧螺钉 | Grooved hex collar bolt | 4 | | |
| 9 | 81.97445.0208 | 夹片 | Clip | 2 | | |

驾驶室后侧右翼子板 FENDER RIGHT BEHIND CAB

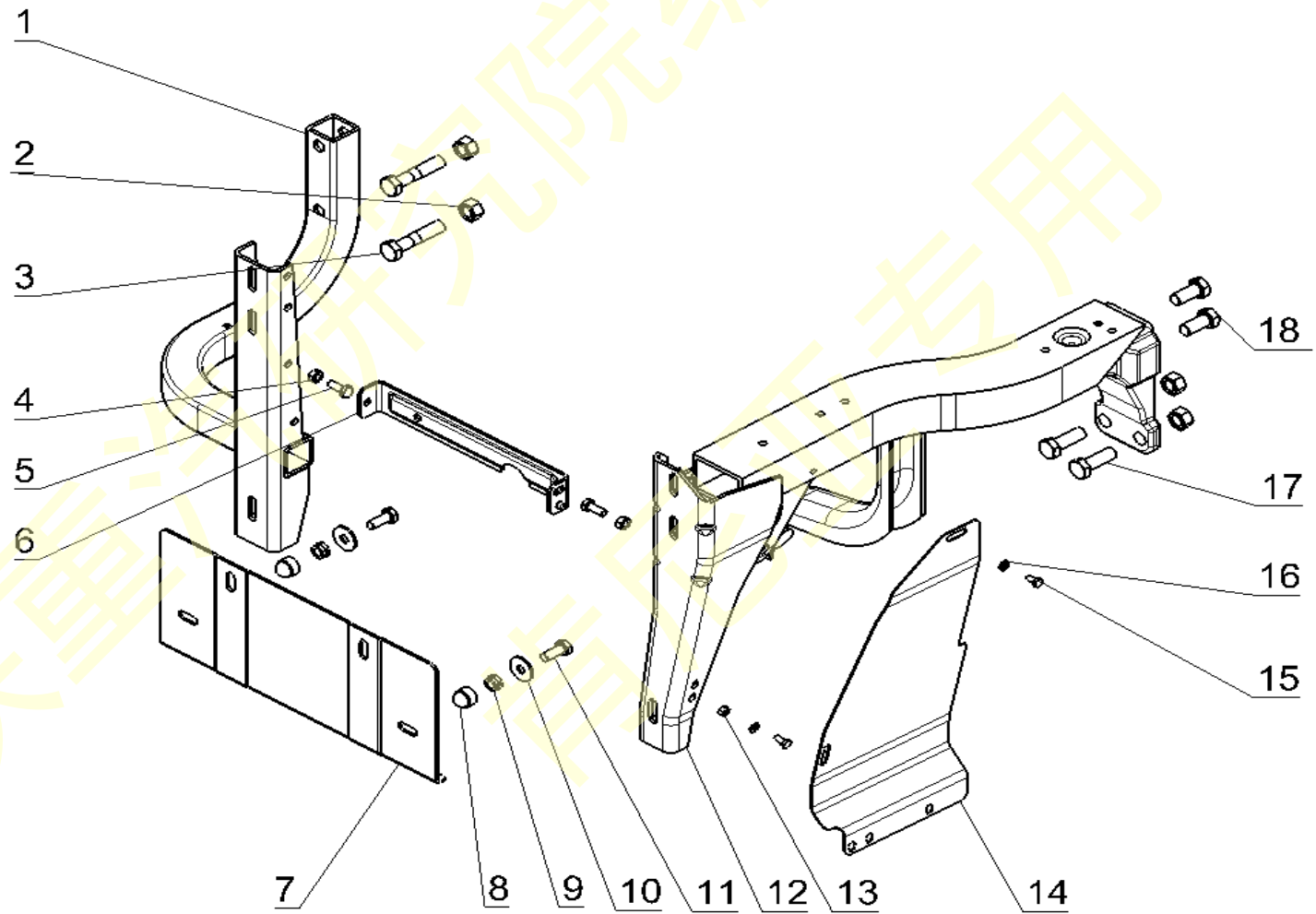


驾驶室后侧右翼子板 FENDER RIGHT BEHIND CAB

| 序号 NO | 件号 Part.No | 名称 Designation | Name | 数量 Quantity | 适用车型 Suited type | 备注 Remark |
|----------|---------------|-------------------|-------------------------|----------------|---------------------|--------------|
| 1 | DZ1640230208 | 右后翼子板 | Mudguards right rear | 1 | | |
| 2 | 81.61243.5268 | 夹片总成 | Clip assembly | 2 | | |
| 3 | DZ13241230101 | 挡泥板 | Mud flap | 1 | | |
| 4 | Q2540835 | 十字槽沉头螺钉 | Countersunk screw | 2 | | |
| 5 | Q40108 | 平垫圈 | Washer | 6 | | |
| 6 | Q33208T2F3 | I型全金属六角锁紧螺母 | Hexagon nut | 6 | | |
| 7 | 81.61243.0091 | 搭接板 | Fish plate | 2 | | |
| 8 | Q2610520 | 六角头自攻锁紧螺钉 | Grooved hex collar bolt | 4 | | |
| 9 | 81.97445.0208 | 夹片 | Clip | 2 | | |

上车踏板 Get on car pedal

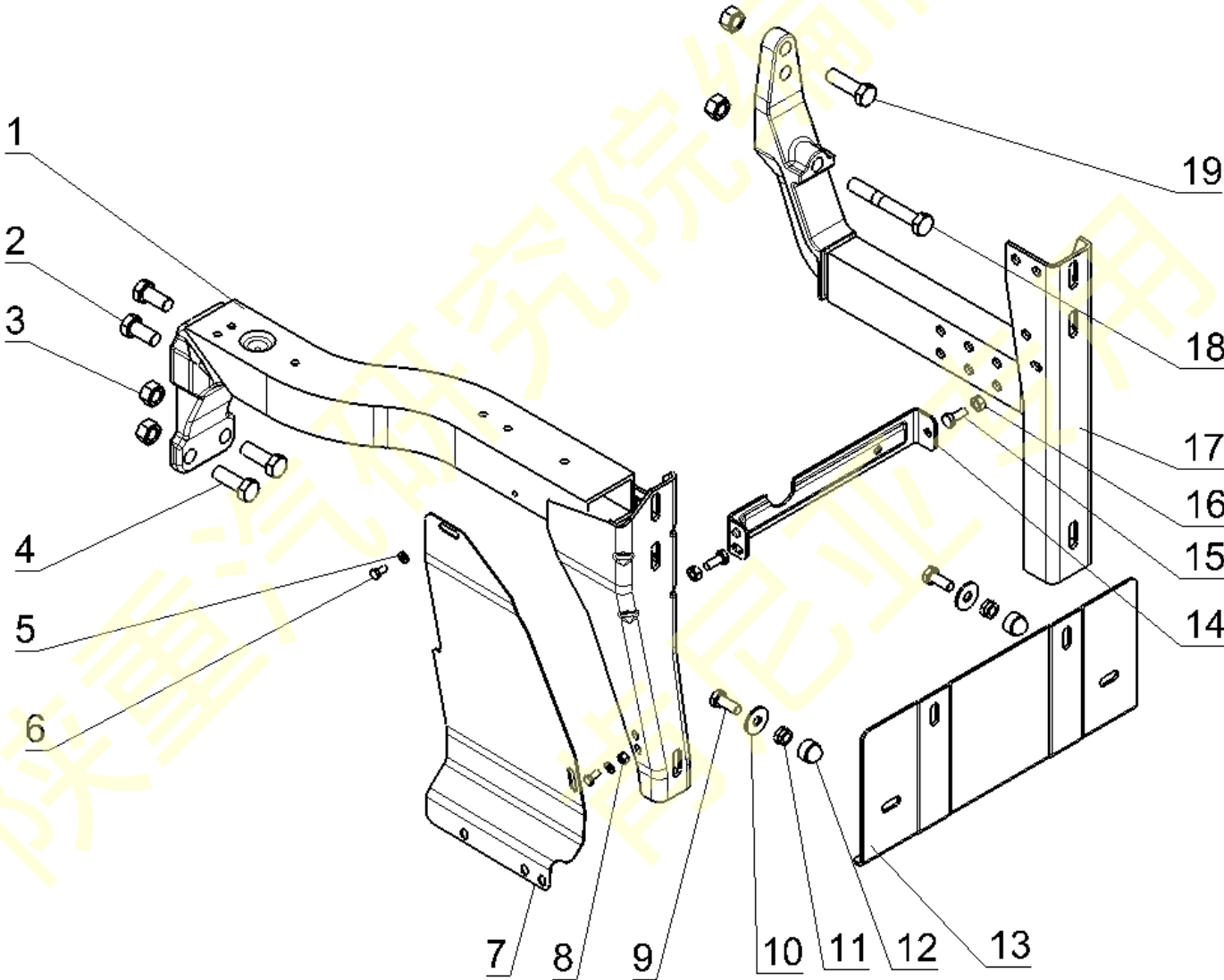
左踏板支架 LEFT FOOT PANEL BRACKET



左踏板支架 LEFT FOOT PANEL BRACKET

| 序号 NO | 件号 Part.No | 名称 Designation | Name | 数量 Quantity | 适用车型 Suited type | 备注 Remark |
|----------|---------------|--------------------|--|----------------|---------------------|--------------|
| 1 | 81.41890.5061 | 左前踏板支架总成 | Left front pedal mount | 1 | | |
| 2 | Q341B14T13F2 | 1 型六角螺母 | Type 1 hexagonal nut | 4 | | |
| 3 | Q151B1465TF2 | 六角头螺栓-细牙 | Hexagon head bolt-fine teeth | 2 | | |
| 4 | Q340B08 | 1 型六角螺母 | Type 1 hexagonal nut | 2 | | |
| 5 | Q150B0820 | 六角头螺栓 | Hexagon headed bolt | 2 | | |
| 6 | 81.41890.0044 | 支座 | Support | 1 | | |
| 7 | DZ13241240433 | 支撑板 | Supporting plate | 1 | | |
| 8 | 88.96002.0027 | 盖 SW17 | Cover SW17 | 2 | | |
| 9 | 190003888730 | 六角自锁薄螺母 DIN985 8ZN | Hexagonal self-locking thin nut DIN985 8ZN | 2 | | |
| 10 | Q40210 | 大垫圈 | Large washer | 2 | | |
| 11 | Q150B1025 | 六角头螺栓 | Hexagon headed bolt | 2 | | |
| 12 | DZ13241240070 | 左后踏板支架总成 | Left rear pedal mount | 1 | | |
| 13 | Q33206 | 2 型全金属六角锁紧螺母 | Type 2 all metal hexagonal locking nut | 1 | | |
| 14 | DZ1642240009 | 左后盖板 | Left posterior cover plate | 1 | | |
| 15 | Q150B0612 | 六角头螺栓 | Hexagonal head bolt | 2 | | |
| 16 | Q40106 | 平垫圈 | Flat washer | 2 | | |
| 17 | Q151B1440TF2 | 六角头螺栓-细牙 | Hexagon head bolt-fine teeth | 2 | | |
| 18 | Q151B1430TF2 | 六角头螺栓-细牙 | Hexagon head bolt-fine teeth | 2 | | |

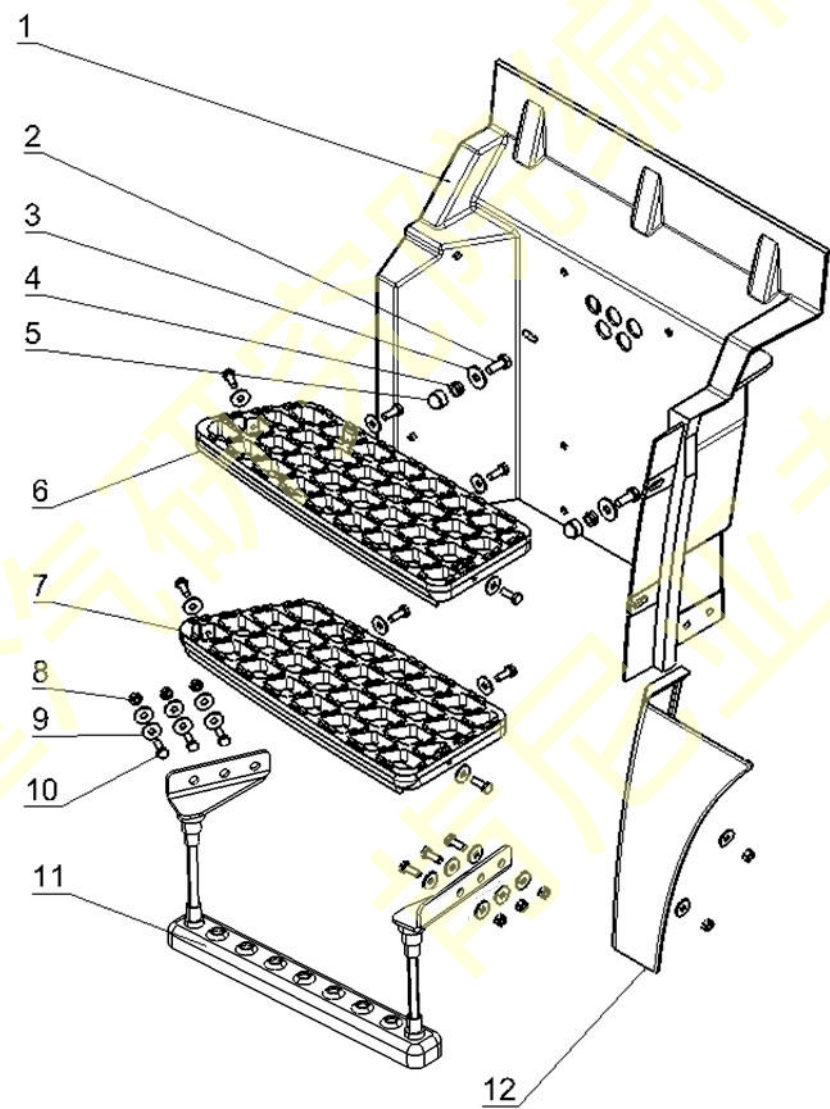
右踏板支架 RIGHT FOOT PANEL BRACKET



右踏板支架 RIGHT FOOT PANEL BRACKET

| 序号 NO | 件号 Part.No | 名称 Designation | Name | 数量 Quantity | 适用车型 Suited type | 备注 Remark |
|----------|---------------|--------------------|--|----------------|---------------------|--------------|
| 1 | DZ13241240080 | 右后踏板支架总成 | Right rear pedal mount | 1 | | |
| 2 | Q151B1430TF2 | 六角头螺栓-细牙 | Hexagon head bolt-fine teeth | 2 | | |
| 3 | Q341B14T13F2 | 1型六角螺母 | Type 1 hexagonal nut | 4 | | |
| 4 | Q151B1440TF2 | 六角头螺栓-细牙 | Hexagon head bolt-fine teeth | 2 | | |
| 5 | Q40106 | 平垫圈 | Flat washer | 2 | | |
| 6 | Q150B0612 | 六角头螺栓 | Hexagonal head snail | 2 | | |
| 7 | DZ1642240008 | 右后盖板 | Right posterior cover plate | 1 | | |
| 8 | Q33206 | 2型全金属六角锁紧螺母 | Type 2 all metal hexagonal locking nut | 1 | | |
| 9 | Q150B1025 | 六角头螺栓 | Hexagon headed bolt | 2 | | |
| 10 | Q40210 | 大垫圈 | Large washer | 2 | | |
| 11 | 190003888730 | 六角自锁薄螺母 DIN985 8ZN | Hexagonal self-locking thin nut DIN985 8ZN | 2 | | |
| 12 | 88.96002.0027 | 盖 SW17 | Cover SW17 | 2 | | |
| 13 | DZ13241240433 | 支撑板 | Support plate | 1 | | |
| 14 | 81.41890.0044 | 支座 | Support | 1 | | |
| 15 | Q150B0820 | 六角头螺栓 | hexagon headed bolt | 2 | | |
| 16 | Q340B08 | 1型六角螺母 | Type 1 hexagonal nut | 2 | | |
| 17 | DZ13241240090 | 右前踏板支架总成 | Right front pedal assembly | 1 | | |
| 18 | Q151B1495TF2 | 六角头螺栓-细牙 | Hexagon head bolt-fine teeth | 1 | | |
| 19 | Q151B1445TF2 | 六角头螺栓-细牙 | Hexagon head bolt-fine teeth | 1 | | |

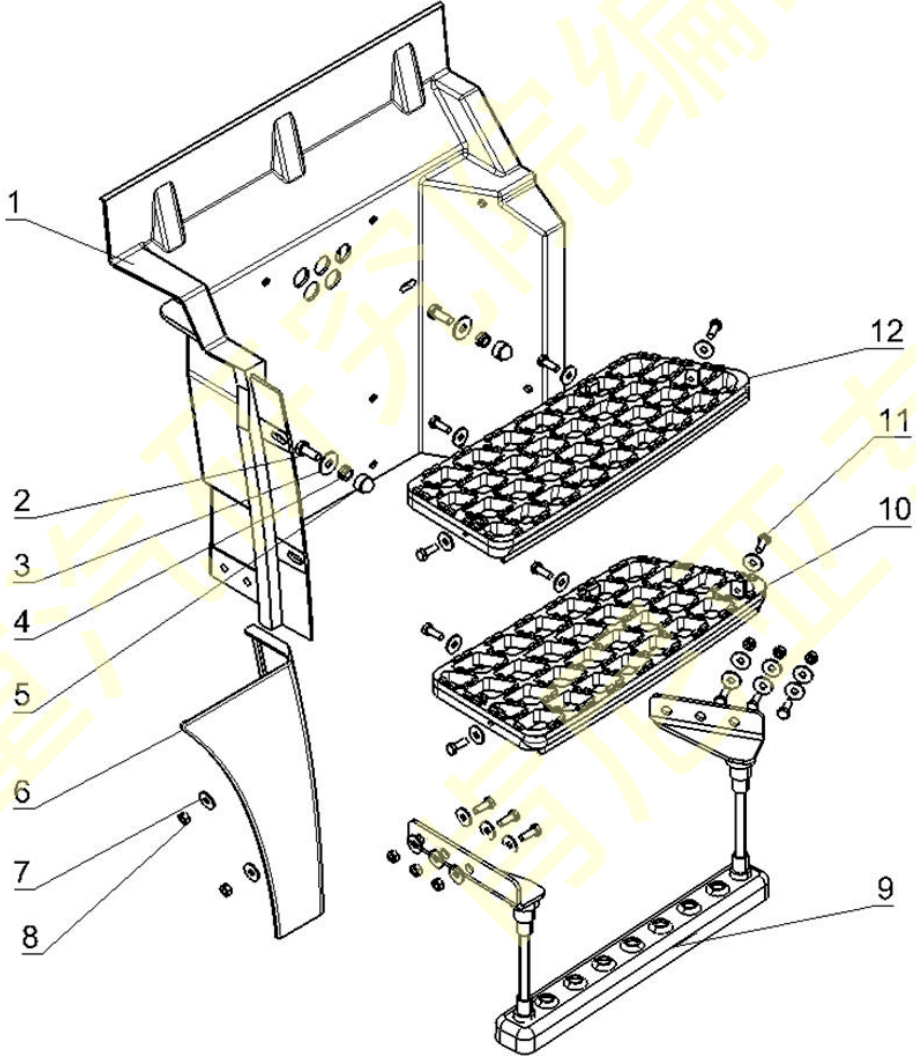
左门台阶 LEFT DOOR STEP



左门台阶 LEFT DOOR STEP

| 序号 NO | 件号 Part.No | 名称 Designation | Name | 数量 Quantity | 适用车型 Suited type | 备注 Remark |
|----------|---------------|--------------------|--|----------------|---------------------|--------------|
| 1 | DZ13241240425 | 左门台阶 | Left door step | 1 | | |
| 2 | Q150B1025 | 六角头螺栓 | Hexagon headed bolt | 2 | | |
| 3 | Q40210 | 大垫圈 | Large washer | 2 | | |
| 4 | 190003888730 | 六角自锁薄螺母 DIN985 8ZN | Hexagonal self-locking thin nut DIN985 8ZN | 2 | | |
| 5 | 88.96002.0027 | 盖 SW17 | Cover SW17 | 2 | | |
| 6 | DZ13241240901 | 铸铝上台阶 | Cast aluminum step | 1 | | |
| 7 | DZ13241240902 | 铸铝中台阶 | Cast aluminum intermediate step | 1 | | |
| 8 | Q340B08 | 1型六角螺母 | Type 1 hexagonal nut | 10 | | |
| 9 | Q40208 | 大垫圈 | Large washer | 26 | | |
| 10 | Q150B0822Q | 六角头螺栓 | Hexagon headed bolt | 16 | | |
| 11 | DZ13241240710 | 左下台阶总成 | Left lower step assembly | 1 | | |
| 12 | DZ13241240427 | 左上装饰板 | Upper left decorative panel | 1 | | |

右门台阶 RIGHT DOOR STEP

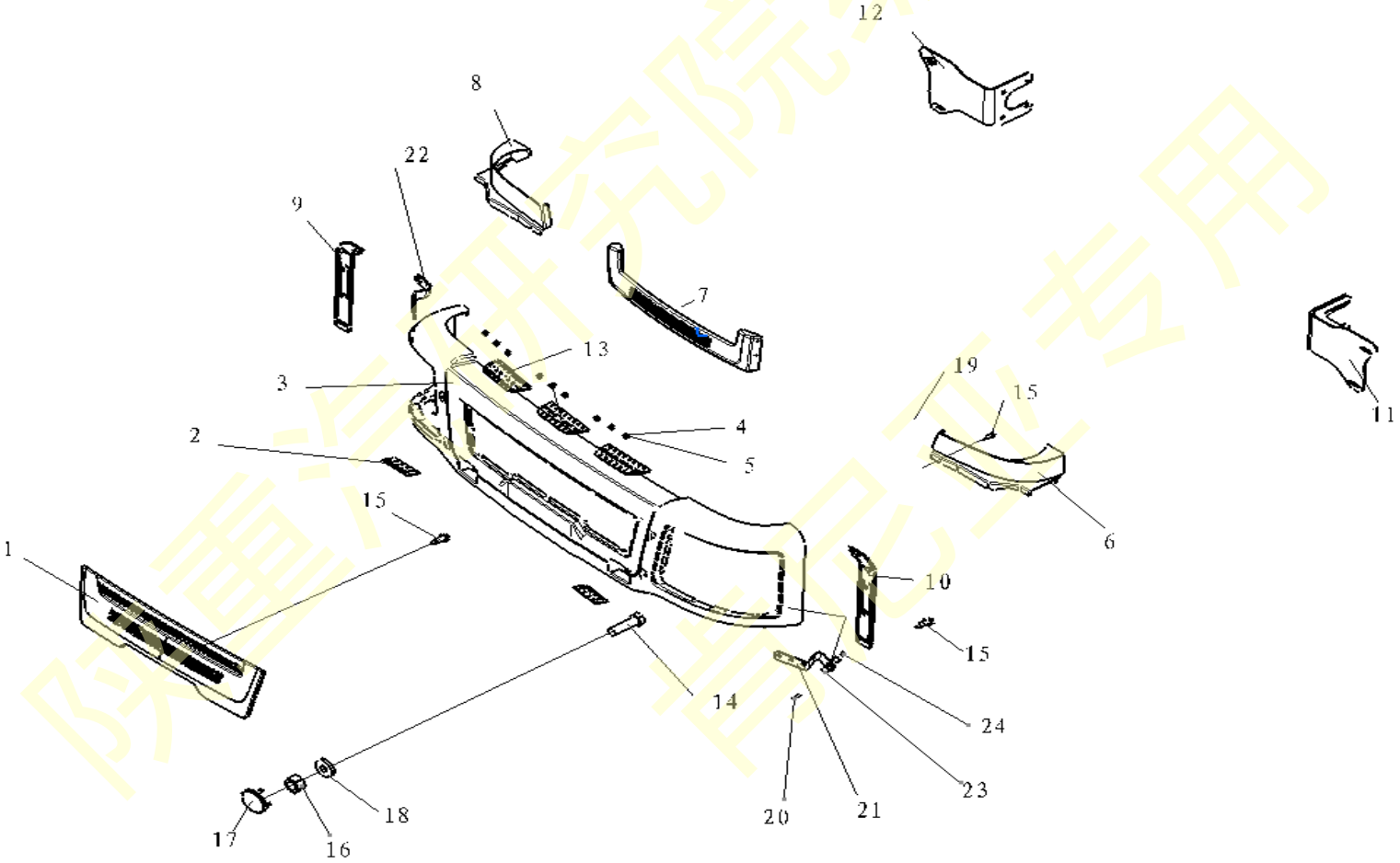


右门台阶 RIGHT DOOR STEP

| 序号 NO | 件号 Part.No | 名称 Designation | Name | 数量 Quantity | 适用车型 Suited type | 备注 Remark |
|----------|---------------|--------------------|--|----------------|---------------------|--------------|
| 1 | DZ13241240426 | 右门台阶 | Right door step | 1 | | |
| 2 | Q150B1025 | 六角头螺栓 | Hexagon headed bolt | 2 | | |
| 3 | Q40210 | 大垫圈 | Large washer | 2 | | |
| 4 | 190003888730 | 六角自锁薄螺母 DIN985 8ZN | Hexagonal self-locking thin nut DIN985 8ZN | 2 | | |
| 5 | 88.96002.0027 | 盖 SW17 | Cover SW17 | 2 | | |
| 6 | DZ13241240428 | 右上装饰板 | Upper right decorative panel | 1 | | |
| 7 | Q40208 | 大垫圈 | Large washer | 26 | | |
| 8 | Q340B08 | 1型六角螺母 | Type 1 hexagonal nut | 10 | | |
| 9 | DZ13241240720 | 右下台阶总成 | Lower right step assembly | 1 | | |
| 10 | DZ13241240902 | 铸铝中台阶 | Cast aluminum intermediate step | 1 | | |
| 11 | Q150B0822Q | 六角头螺栓 | Hexagon headed bolt | 16 | | |
| 12 | DZ13241240901 | 铸铝上台阶 | Cast aluminum step | 1 | | |

保险杠 Bumper

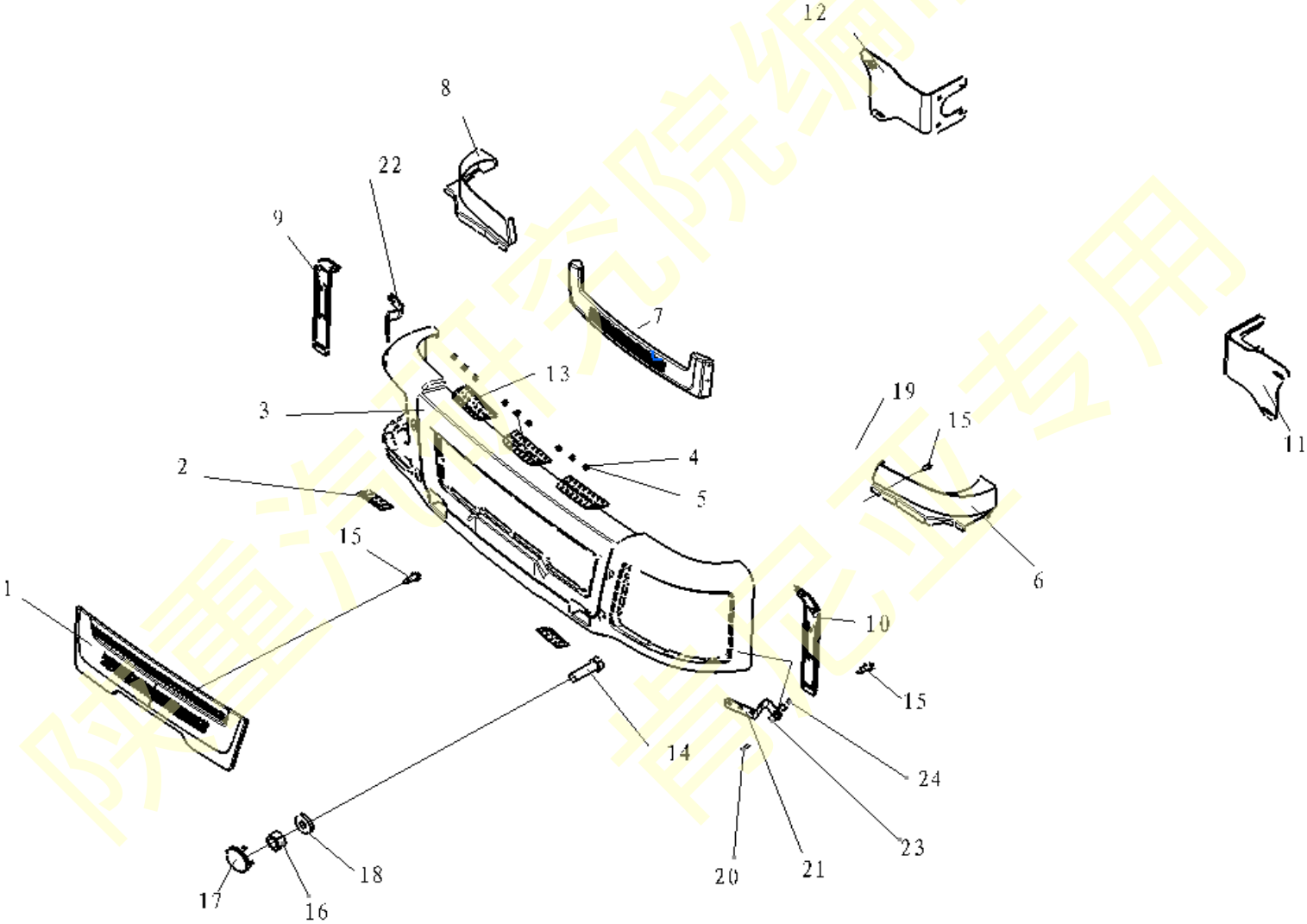
金属保险杠及联接支架 BUMPER AND FRONT BRACKET



金属保险杠及联接支架 BUMPER AND FRONT BRACKET

| 序号 NO | 件号 Part.No | 名称 Designation | Name | 数量 Quantity | 适用车型 Suited type | 备注 Remark | |
|----------|---------------|-------------------|---------------------------|-----------------------|---------------------|--------------|--|
| 1 | DZ93189932122 | 保险杠格栅 | Bumper grid | 1 | | | |
| | DZ95189620021 | 保险杠格栅 | Bumper grid | 1 | | 新脱钩选用 | |
| | DZ95189620022 | 脱钩堵盖 | | 2 | | 新脱钩选用 | |
| 2 | DZ93259932162 | 下防滑板 | Skidproof board lower | 2 | | | |
| 3 | DZ93259932159 | 保险杠焊接总成 | Synthetic bumper assembly | 1 | | | |
| | SZ962000704 | 保险杠焊接总成 | Synthetic bumper assembly | 1 | | 带灯护网内置螺母选用 | |
| 4 | Q40106 | 平垫圈 | Washer | 9 | | | |
| 5 | Q4400513T19 | 开口型扁圆头抽芯铆钉 | Rivet | 9 | | | |
| 6 | DZ93259932181 | 左挡板 | Trim left wide | 1 | | | |
| 7 | DZ93259932182 | 右挡板 | Trim right wide | 1 | | | |
| 8 | DZ93259932183 | 中间挡板 | Trim center | 1 | | | |
| 9 | DZ93259932103 | 转向灯固定板(左) | Trim left | 1 | | | |
| 10 | DZ93259932104 | 转向灯固定板(右) | Trim right | 1 | | | |
| 11 | DZ93189932250 | 主保险杠固定座(左) | Position base left | 1 | | 不抬高选用 | |
| | DZ93189932210 | 主保险杠固定座(左) | Position base left | 1 | | +41 选用 | |
| | DZ95189620025 | 保险杠左上支架总成 | Position base left | 1 | | +41 前方钻选用 | |
| | DZ93189932230 | 主保险杠固定座(左) | Position base left | 1 | | +70 选用 | |
| | DZ95189620035 | 保险杠固定座总成(左) | Position base left | 1 | | +70 前方钻选用 | |
| | DZ93189932255 | 主保险杠固定座(右) | Position base right | 1 | | 不抬高选用 | |
| | DZ93189932220 | 主保险杠固定座(右) | Position base right | 1 | | +41 选用 | |
| | DZ95189620030 | 保险杠右上支架总成 | Position base right | 1 | | +41 前方钻选用 | |
| 12 | DZ93189932240 | 主保险杠固定座(右) | Position base right | 1 | | +70 选用 | |
| | DZ95189620040 | 保险杠固定座总成(右) | Position base right | 1 | | +70 前方钻 选用 | |
| | 13 | DZ93259932161 | 上防滑板 | Skidproof board upper | 3 | | |

金属保险杠及联接支架 BUMPER AND FRONT BRACKET

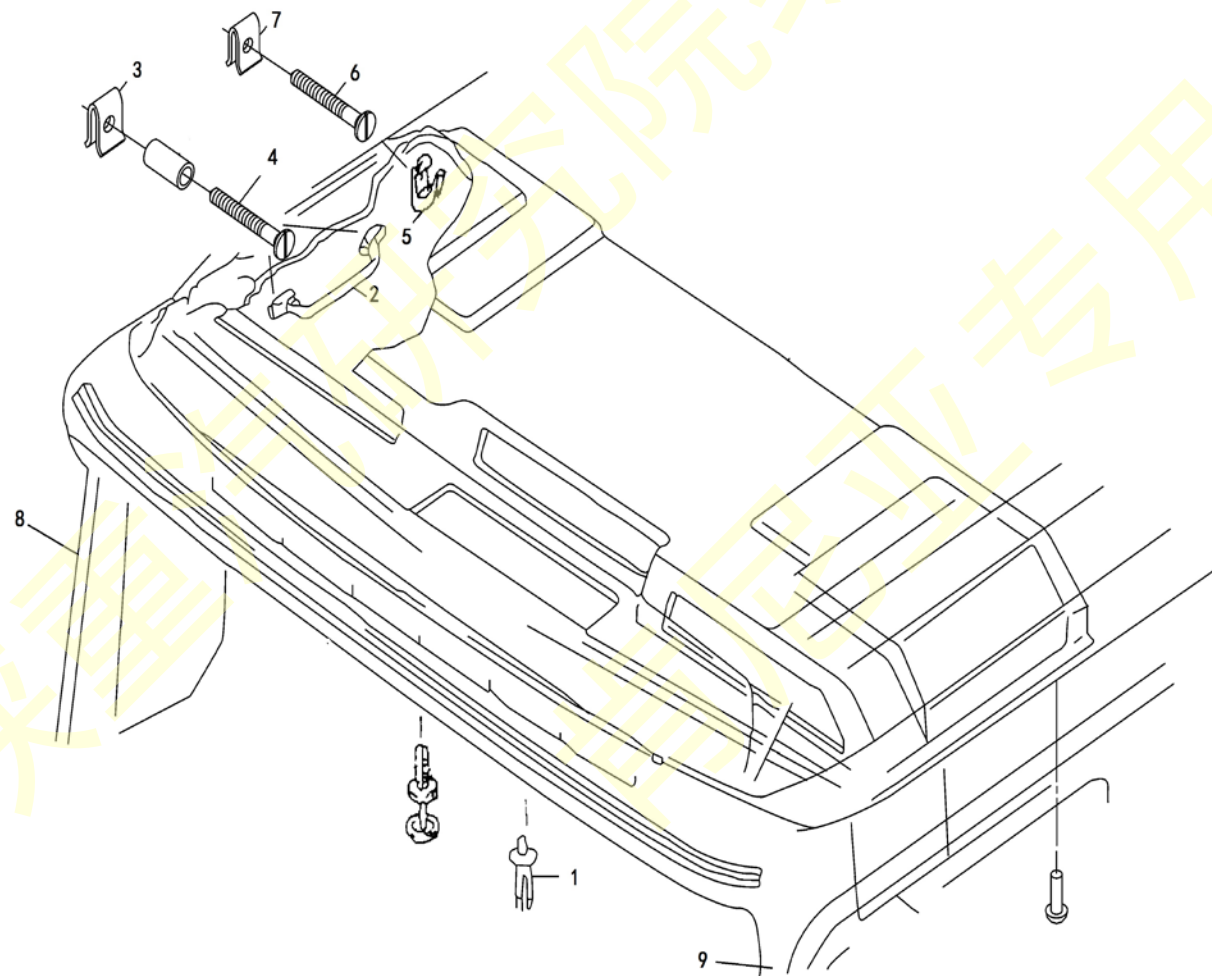


金属保险杠及联接支架 BUMPER AND FRONT BRACKET

| 序号 NO | 件号 Part.No | 名称 Designation | Name | 数量 Quantity | 适用车型 Suited type | 备注 Remark |
|----------|---------------|-------------------|-------------------------|----------------|---------------------|--------------|
| 14 | Q151B1240 | 六角头螺栓 | Hex Screw | 12 | | |
| 15 | 81.90470.0618 | 自攻螺钉 | Grooved oval head screw | 14 | | |
| 16 | 190003888457 | 自锁螺母 | Head screw | 12 | | |
| 17 | DZ93189932104 | 堵盖 | Cover | 4 | | |
| 18 | 190003936012 | 垫片 | Washer | 4 | | |
| 19 | 81.90470.0618 | 自攻螺钉 | Grooved oval head screw | 4 | | |
| 20 | Q150B1030 | 六角头螺栓 | Hex Screw | 4 | | |
| 21 | DZ93259932163 | 保险杠左连接支架 | Jointbracket left | 1 | | |
| | DZ93259932173 | 保险杠左连接支架 | Jointbracket left | 1 | | 两级踏板选用 |
| 22 | DZ93259932164 | 保险杠右连接支架 | Jointbracket right | 1 | | |
| | DZ93259932174 | 保险杠右连接支架 | Jointbracket right | 1 | | 两级踏板选用 |
| 23 | Q40110 | 平垫圈 | Washer | 4 | | |
| 24 | Q33210 | 2 型全金属六角锁紧螺母 | Hex lock nut | 2 | | |

顶置导流罩+侧护板 side shield of top mounted deflector

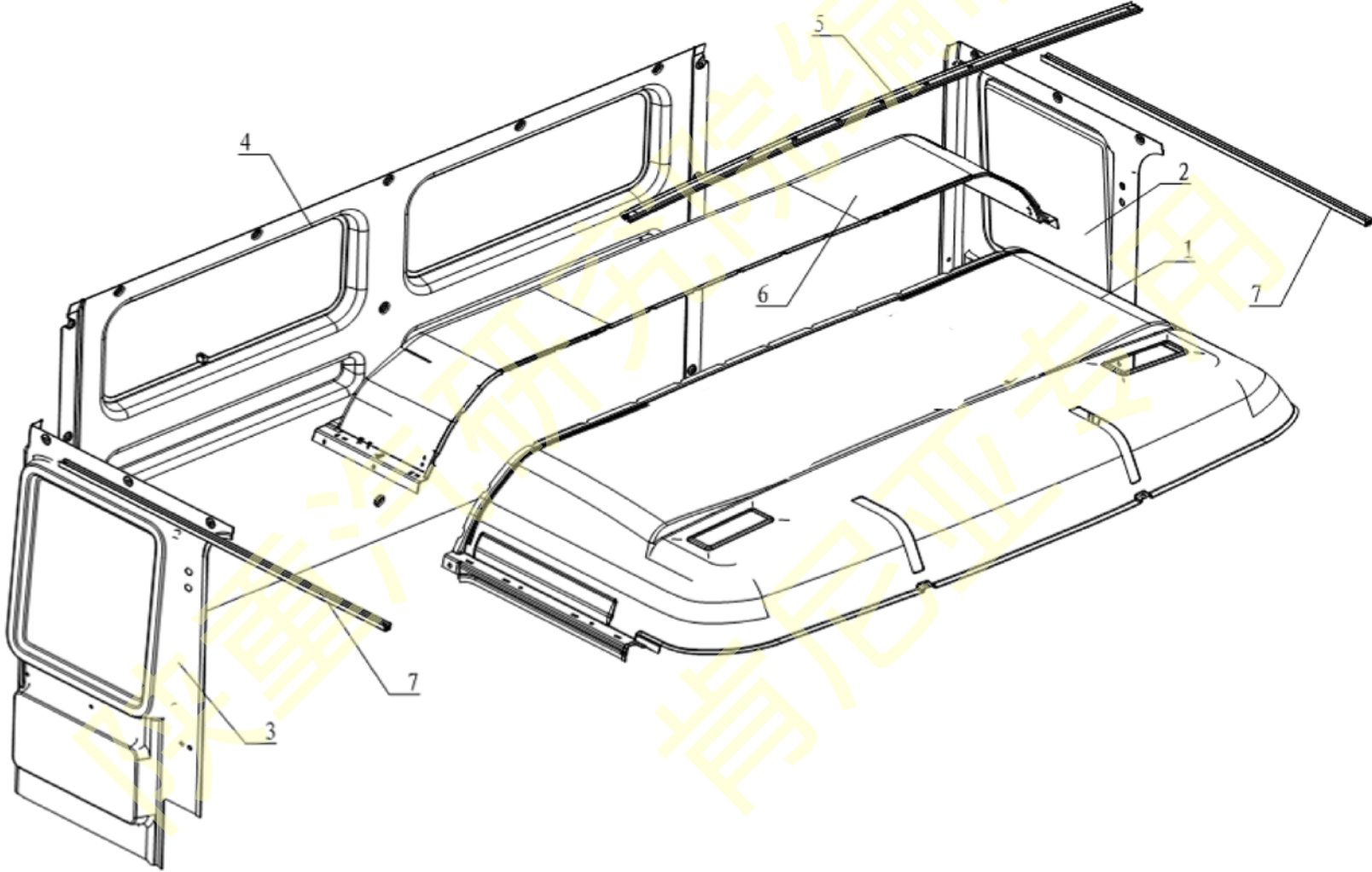
带有支座和扶手的车顶衬里 HEADLINING WITH MOUNTING AND GRAB HANDLE



带有支座和扶手的车顶衬里 HEADLINING WITH MOUNTING AND GRAB HANDLE

| 序号 NO | 件号 Part.No | 名称 Designation | Name | 数量 Quantity | 适用车型 Suited type | 备注 Remark |
|----------|---------------|--------------------------|-------------------------------|----------------|---------------------|--------------|
| | | | | | | 半高顶驾驶室用 |
| 1 | DZ13241571424 | 导轨吊钩 | Grab handle assembly | 8 | | |
| 2 | SZ161000006 | 上车扶手 | Speed nut | 1 | | |
| 3 | 06.13189.0025 | 簧片螺母 | Oval-head self-tappingm screw | 4 | | |
| 4 | Q2714825 | 十字槽盘头自攻螺钉 | Coat hook | 4 | | |
| 5 | DZ13241610385 | 衣钩 | Oval-head self-tappingm screw | 2 | | |
| 6 | 06.07171.1408 | 椭圆头自攻螺钉 —ST3, 9X32C-H | | 4 | | |
| 7 | 06.13189.0024 | 簧片螺母 ST3, 9-1-A3C | Speed nut | 4 | | |
| 8 | DZ13241782020 | 右 A 立柱护板总成 | A PILLAR of right | 1 | | |
| 9 | DZ13241782010 | 左 A 立柱护板总成 | A PILLAR of left | 1 | | |

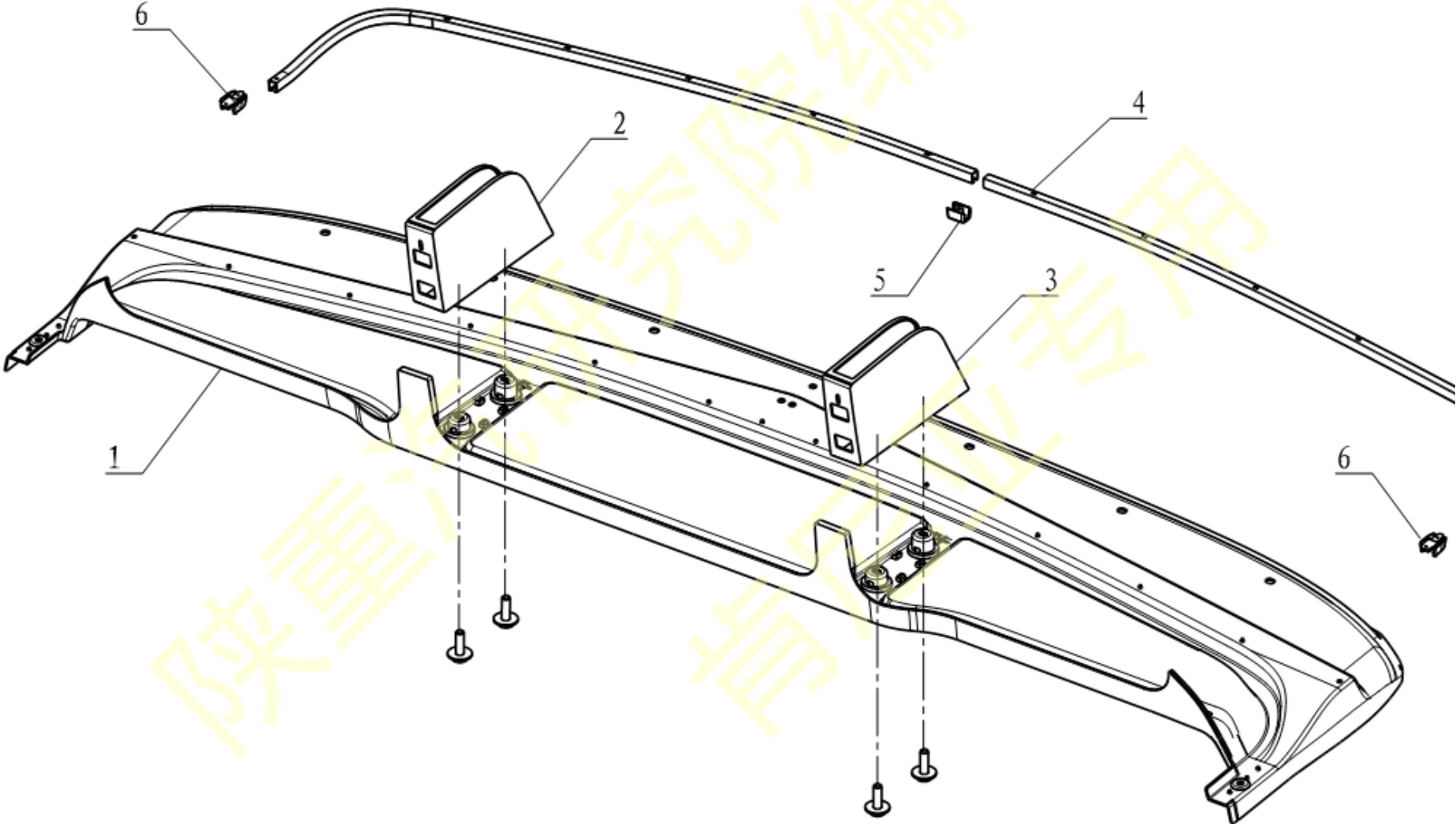
平顶驾驶室内饰 SIDE-WALL PANELING CLOSED WITH MOUNTING I



平顶驾驶室内饰 SIDE-WALL PANELING CLOSED WITH NOUNTING I

| 序号 NO | 件号 Part.No | 名称 Designation | Name | 数量 Quantity | 适用车型 Suited type | 备注 Remark |
|----------|----------------------------------|--------------------------|-------------------------------|----------------|---------------------|-----------|
| 1 | DZ13241610275 (DZ13241610272) | 前顶内衬总成(无窗口) 前顶内衬(无窗口) | Roof lining trim assy | 1 | | |
| 1 | DZ13241610270 | 前顶内衬总成 | Roof lining trim assy | 1 | | |
| 2 | DZ13241610310 | 左侧围内护面 (D) | lining LH | 1 | | |
| 2 | DZ13241610330 | 左侧围内护面 (D, 高通道) | lining LH | 1 | | |
| 3 | DZ13241610320 | 右侧围内护面 (D) | lining RH | 1 | | |
| 3 | DZ13241610340 | 右侧围内护面 (D, 高通道) | lining RH | 1 | | |
| 4 | DZ13241610240 | 后围内饰 | rear lining assy | 1 | | |
| 4 | DZ13241610371 | 后围内饰 (高通道无窗口) | rear lining assy(no window) | 1 | | |
| 5 | DZ13241571450 | 卧铺窗帘导轨总成 | Curtain rail assy | 1 | | |
| 6 | DZ13241610290 | 半长顶盖后衬层总成 | Rear roof headlining assembly | 1 | | |
| 7 | DZ13241571440 | 侧窗帘导轨总成 (D) | Side curtain rail assembly | 2 | | |

平顶驾驶室杂品箱隔板 LUGGAGE RACK

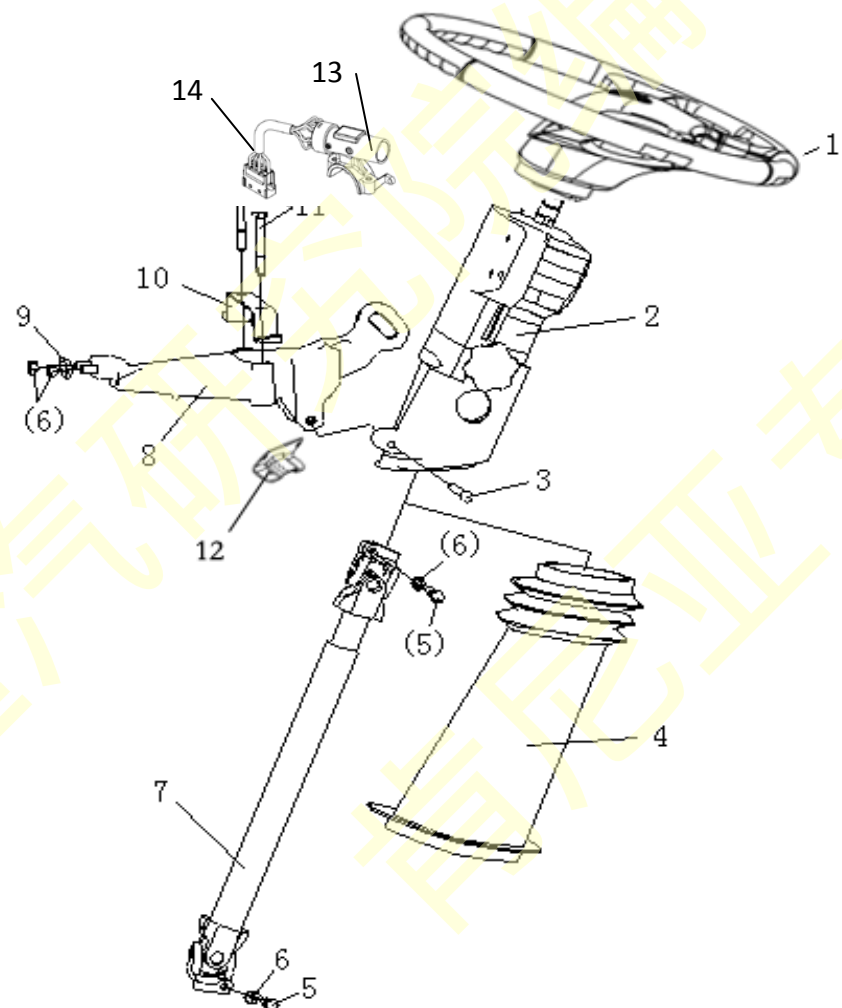


平顶驾驶室杂品箱隔板 LUGGAGE RACK

| 序号 NO | 件号 Part.No | 名称 Designation | Name | 数量 Quantity | 适用车型 Suited type | 备注 Remark |
|----------|------------------|-------------------|--------------------|----------------|---------------------|--------------|
| 1 | DZ13241770881 | 半高顶杂物箱本体 | fore-up store box | 1 | | |
| 2 | DZ13241770882 | 左隔板 | obstruct plate LH | 1 | | |
| 3 | DZ13241770886 | 右隔板 | obstruct plate RH | 1 | | |
| 4 | DZ13241571425/26 | 左/右前窗帘导轨 | front curtain rail | 1 | | 各 1 件 |
| 5 | DZ13241571427 | 前导轨堵头 | front rail end cap | 1 | | |
| 6 | DZ13241571428 | 侧导轨堵头 | side rail end cap | 2 | | 左右通用 |

转向系统 Steering system

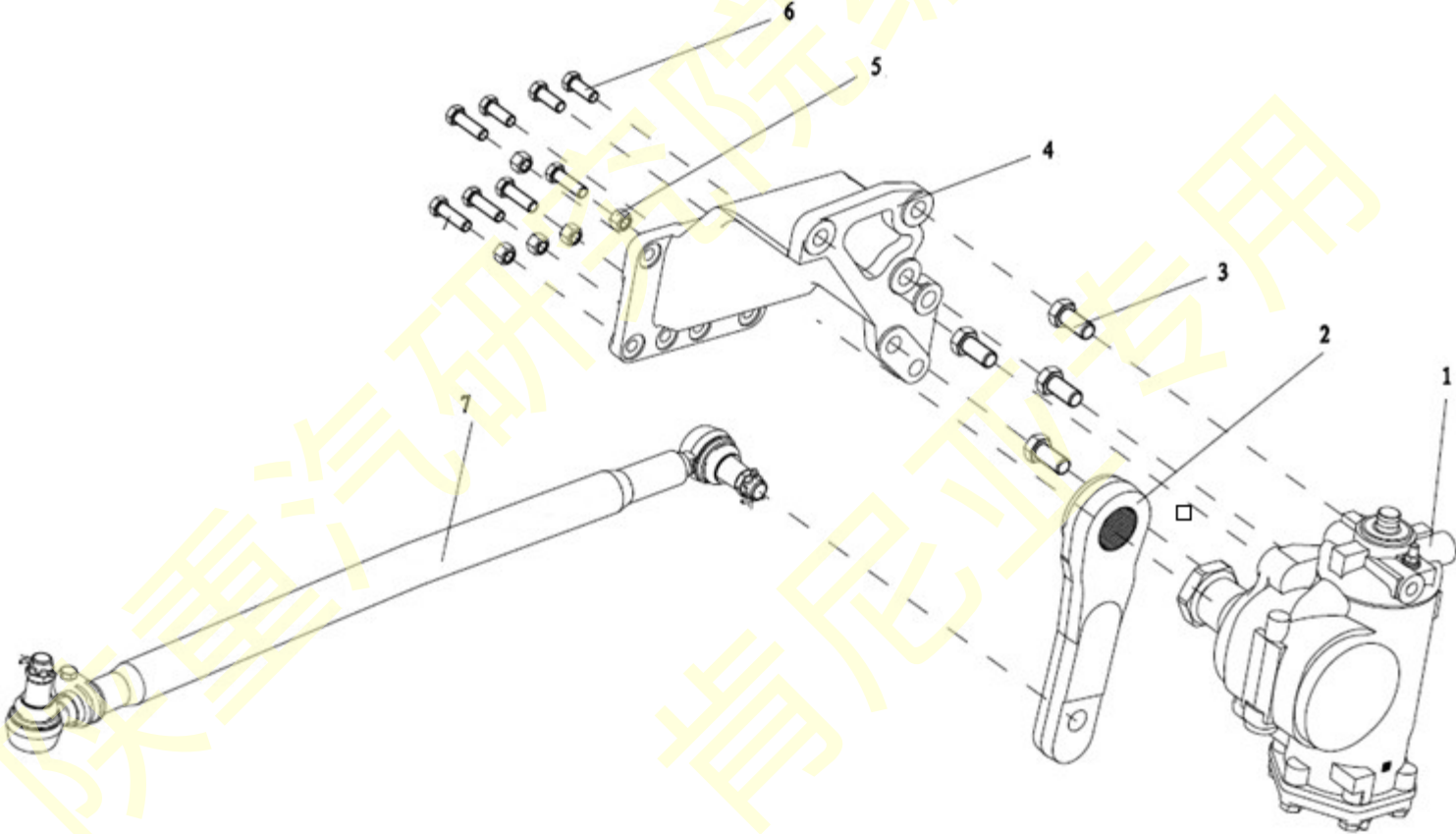
可调整转向柱 STEERING COLUMN ADJUSTABLE



可调整转向柱 STEERING COLUMN ADJUSTABLE

| 序号 NO | 件号 Part.No | 名称 Designation | Name | 数量 Quantity | 适用车型 Suited type | 备注 Remark |
|----------|--------------------|-------------------|--------------------------|----------------|---------------------|--------------|
| 1 | SZ946000718 | 转向盘总成 | Handl wheel | 1 | | |
| 2 | DZ93189470038 | 转向管柱总成 | Steering column assy | 1 | | |
| | 81.46136.0013 | 接触环 | Contact ring | 1 | | |
| 3 | 81.91020.2289 | 销子 | Pin | 1 | | |
| 4 | DZ93189470035 | 转向柱护套 | Steering column jacket | 1 | | |
| 5 | 199012470051 | 螺栓连接件 | Bolt | 2 | | |
| | Q40110T16F9 | 平垫圈 | Washer | 2 | | |
| 6 | Q33210 | 2 型全金属六角锁紧螺母 | Locking nut | 2 | | |
| 7 | <u>SZ946000001</u> | 转向伸缩轴总成 | Steering flex shaft assy | 1 | | |
| 8 | 81.46440.5073 | 转向柱支架 | Steering bracket | 1 | | |
| 9 | 81.97487.0225 | 搭接板 | Link borad | 1 | | |
| 10 | DZ95189460401 | 安装支架 | Fix bracket | 1 | | |
| 11 | Q150B1075 | 六角头螺栓 | Hex screw | 2 | | |
| | Q40110 | 平垫圈 | Washer | 2 | | |
| 12 | 06.43839.0067 | 固定夹 | Clip | 4 | | |
| 13 | SZ946000701 | 方向盘锁 | Ignition switch | 1 | | |
| 14 | SZ946000702 | 方向盘锁线束 | Wiring harness | 1 | | |

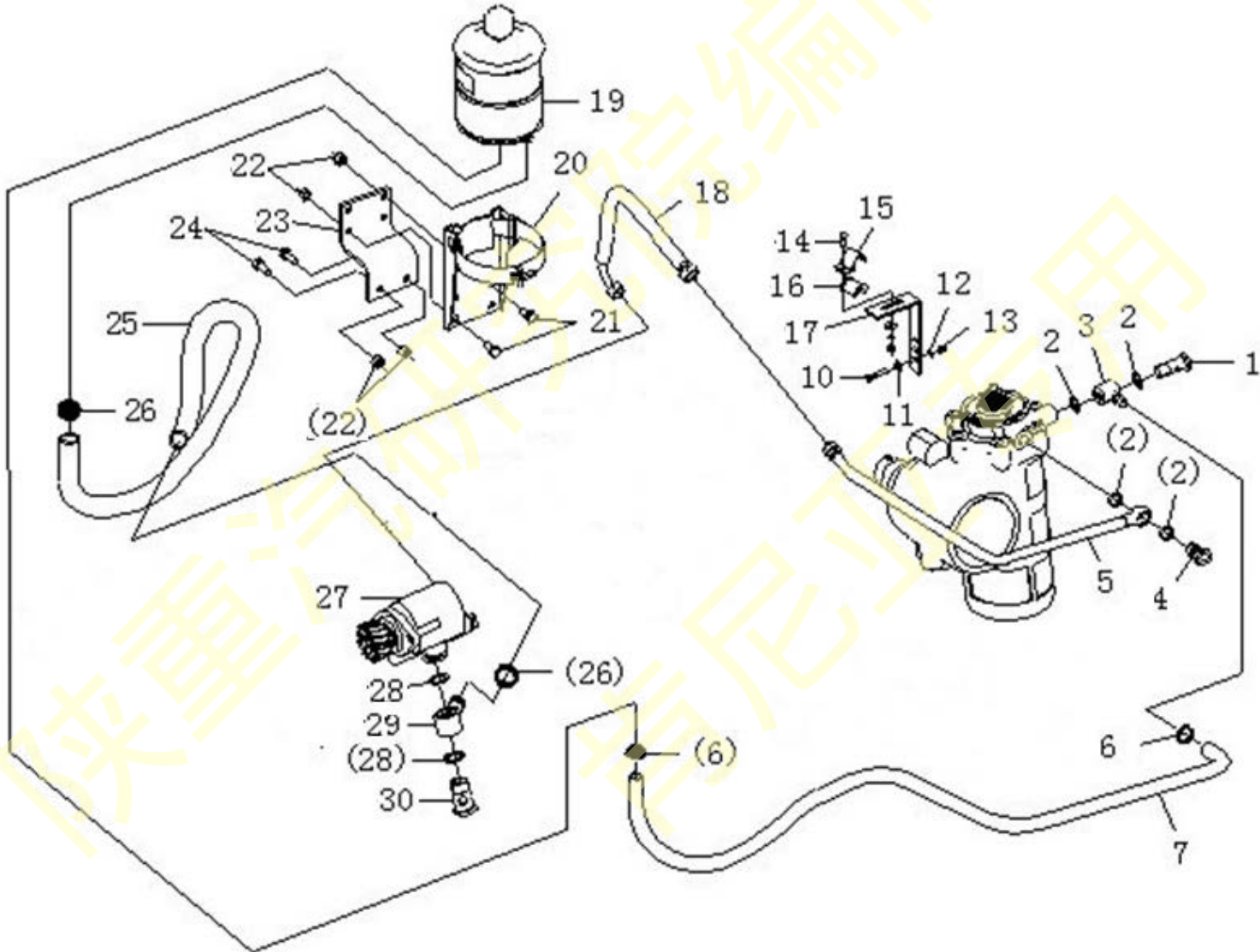
转向传动装置 STEERING TRANSMISSION DEVICE



转向传动装置 STEERING TRANSMISSION DEVIC

| 序号 NO | 件号 Part.No | 名称 Designation | Name | 数量 Quantity | 适用车型 Suited type | 备注 Remark |
|----------|---------------|-------------------|---------------|----------------|---------------------|--------------|
| 1 | DZ93259470085 | 循环球式动力转向器 | Steering gear | 1 | | |
| 2 | DZ93259470003 | 转向摇臂 | Pitman arm | 1 | | |
| 3 | Q151B2040TF2 | 六角头螺栓 | Hex screw | 4 | | |
| 4 | DZ9100470214 | 转向器支架 | Bracket | 1 | | |
| 5 | 190003888458 | 自锁螺母 | Locking nut | 4 | | |
| | 190003888459 | 自锁螺母 | Locking nut | 4 | | |
| 6 | Q151B1460TF2 | 六角头螺栓 | Hex screw | 4 | | |
| | Q151B1660TF2 | 六角头螺栓 | Hex screw | 4 | | |
| 7 | DZ9100430011 | 转向直拉杆 | Drag link | 1 | | |

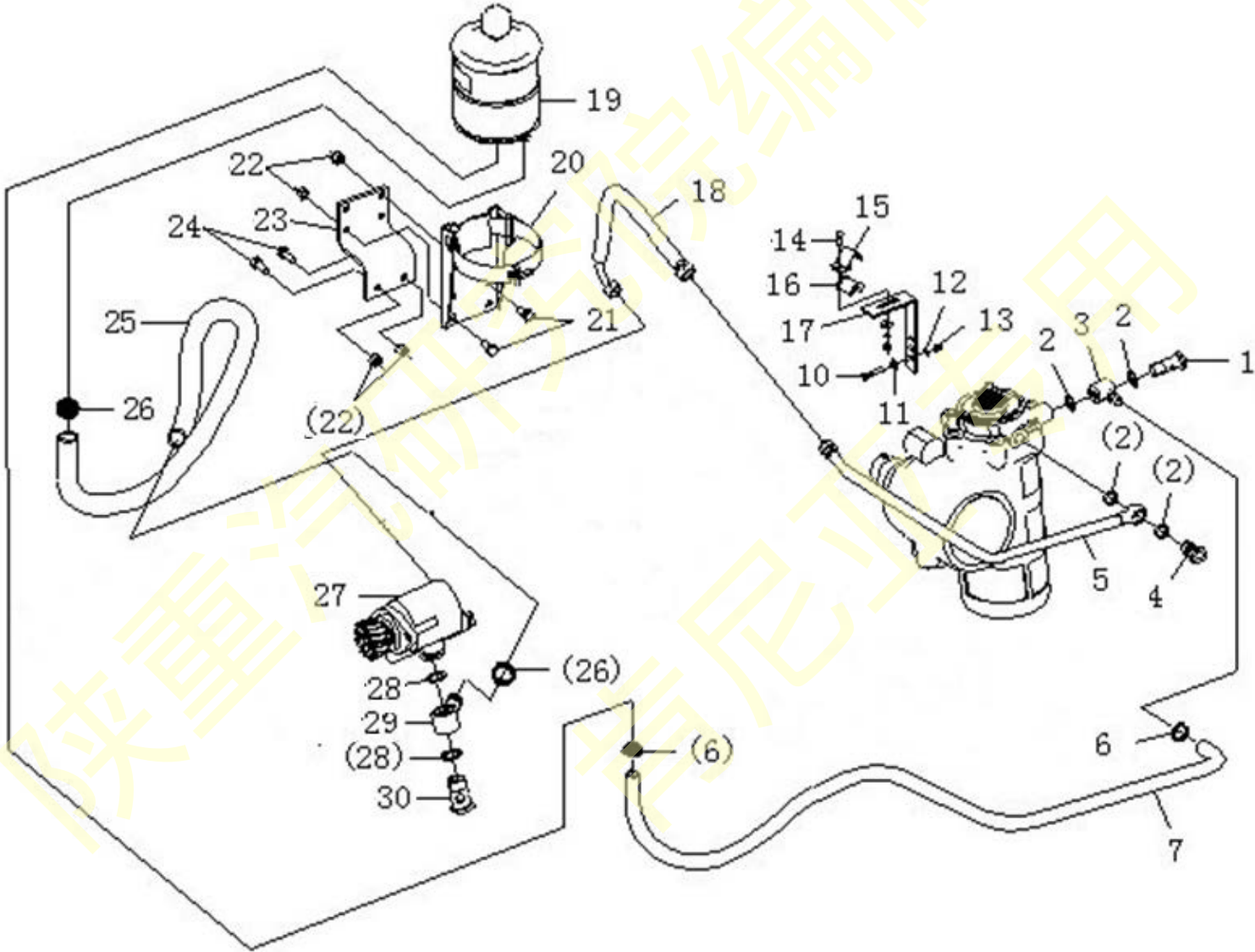
转向液压装置 STEERING HYDRAULIC DEVICE



转向液压装置 STEERING HYDRAULIC DEVICE

| 序号 NO | 件号 Part.No | 名称 Designation | Name | 数量 Quantity | 适用车型 Suited type | 备注 Remark |
|----------|---------------|-------------------|--------------------|----------------|---------------------|--------------|
| 1 | 250-3408017 | 空心螺栓 | Hollow screw | 1 | | |
| 2 | Q72318 | 密封垫圈 | Seal-washer | 4 | | |
| 3 | DZ9100470013 | 旋转管接头 | Screwing | 1 | | |
| 4 | 190003962632 | 空心螺栓 | Hollow screw | 1 | | |
| 5 | DZ9100470052 | 压油管总成 | Delivery line | 1 | | |
| 6 | 190003989336 | 软管环箍 ZQ68816 | Clip | 2 | | |
| 7 | 179200470066 | 带纤维夹层的橡胶软管 | Rubber hose | 1 | | |
| 10 | Q150B0625 | 六角头螺栓 | Hex screw | 1 | | |
| 11 | Q40206 | 平垫圈 | Washer | 1 | | |
| 12 | Q40306 | 弹簧垫圈 | Spring washer | 2 | | |
| 13 | Q340B06 | 1 型六角螺母 | Nut | 2 | | |
| 14 | Q150B0620 | 六角头螺栓 | Hex screw | 1 | | |
| 15 | 138091360181 | 管夹 | Clip | 1 | | |
| 16 | 161000060211 | 橡胶软管 15/21 | Rubber hose | 1 | | |
| 17 | 199000360315 | 支撑板 | Bracket | 1 | | |
| 18 | DZ9114470133 | 高压软管总成 | High pressure hose | 1 | | |
| 19 | DZ91189470033 | 转向油罐总成 | Oil container assy | 1 | | |
| 20 | DZ9100470040 | 油罐支架总成 | Bracket assy | 1 | | |

转向液压装置 STEERING HYDRAULIC DEVICE

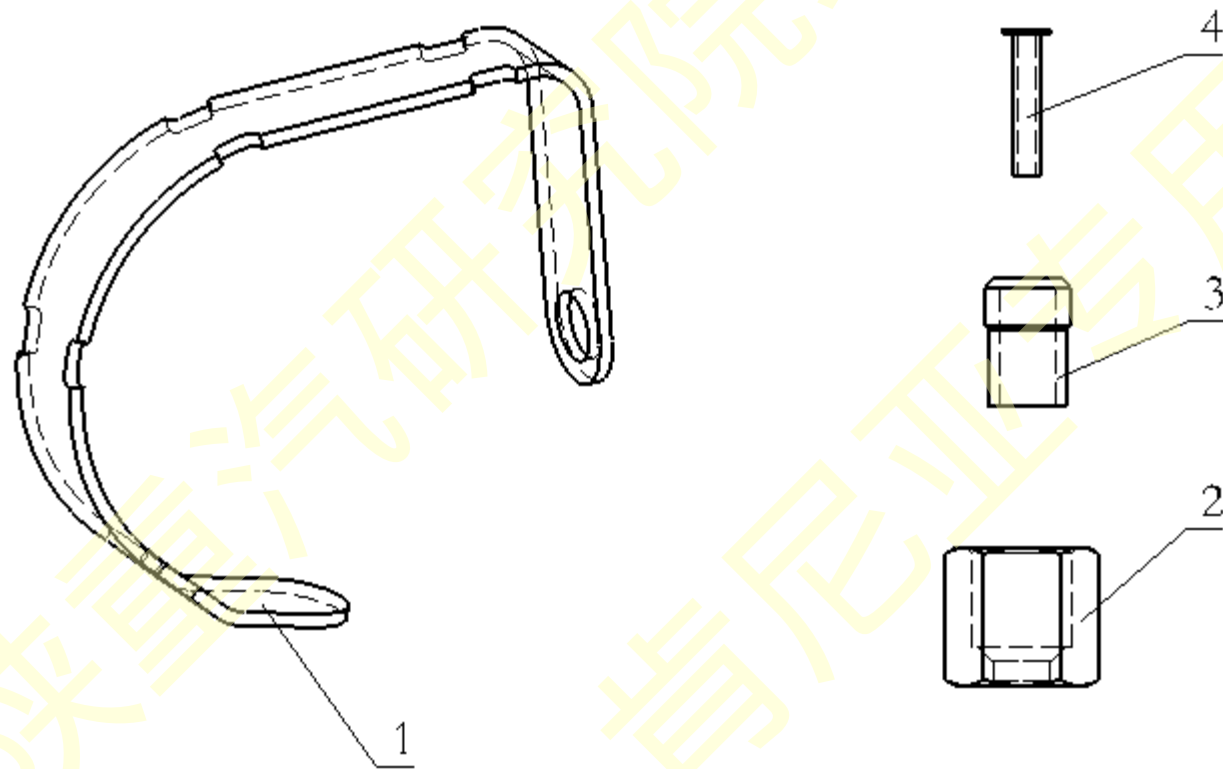


转向液压装置 STEERING HYDRAULIC DEVICE

| 序号 NO | 件号 Part.No | 名称 Designation | Name | 数量 Quantity | 适用车型 Suited type | 备注 Remark |
|----------|---------------|-------------------|----------------|----------------|---------------------|--------------|
| 21 | Q150B1025 | 六角头螺栓 | Hex screw | 2 | | |
| 22 | Q33210 | 2 型全金属六角锁紧螺母 | Locking nut | 2 | | |
| 23 | DZ95259470023 | 油罐支架 | Bracket | 1 | | |
| 25 | 169100470020 | 成形软管 | Hose | 1 | | |
| | DZ9100470039 | 弹性护套 | Spring jacket | 4 | | |
| 26 | 190003989301 | 软管卡箍 ZQ68825 | Clip | 2 | | |
| 27 | DZ9100130026 | 转向油泵 | Hydraulic pump | 1 | | |
| 28 | 190003098031 | 密封垫圈 | Seal-washer | 1 | | |
| 29 | 199100470076 | 环状接头 | Ring-joint | 1 | | |
| 30 | 190003962651 | 空心螺栓 | Hollow screw | 1 | | |

制动系统 The braking system

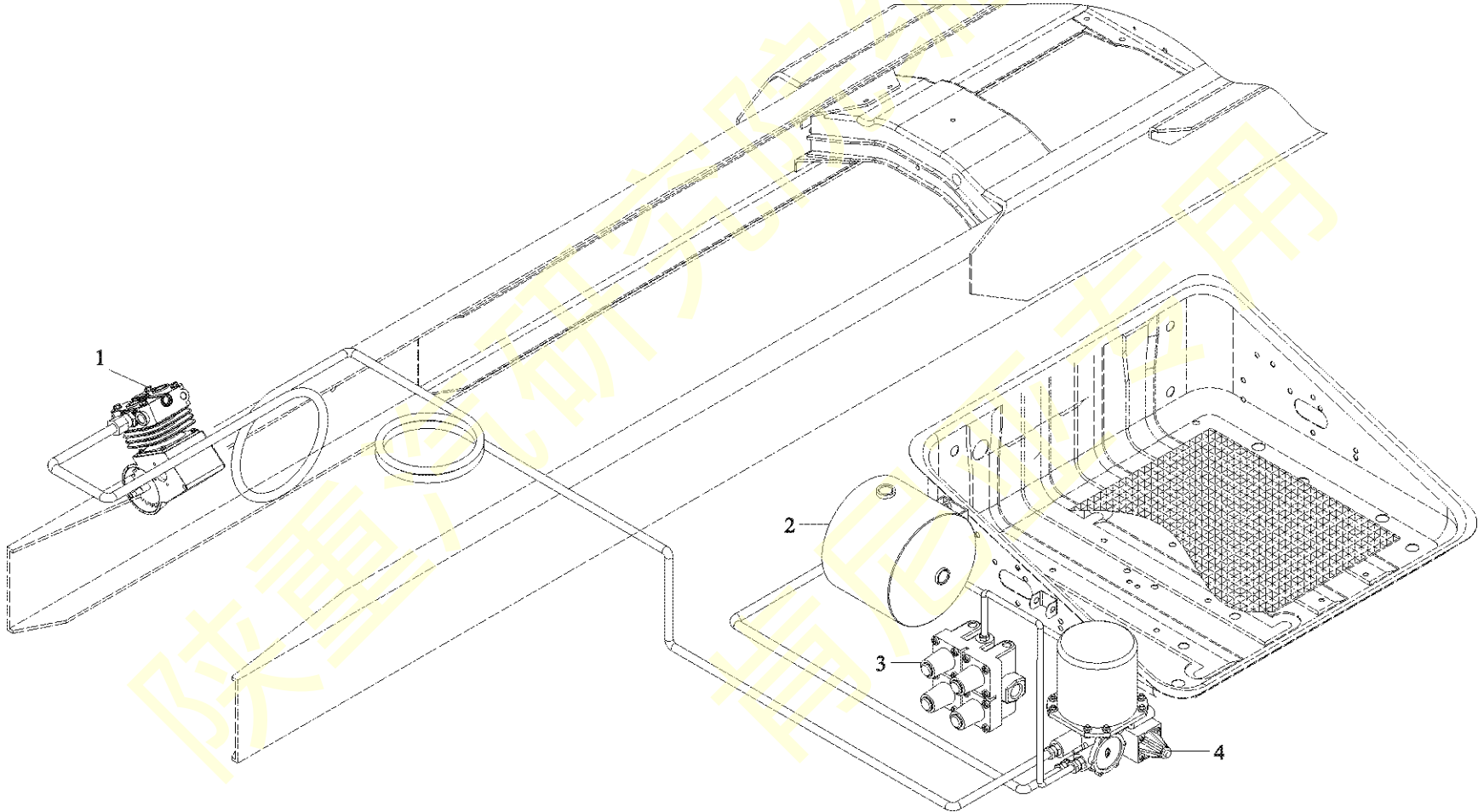
排气制动操纵气路 EXHAUST BRAKE CONTROL



排气制动操纵气路 EXHAUST BRAKE CONTROL

| 序号 NO | 件号 Part.No | 名称 Designation | Name | 数量 Quantity | 适用车型 Suited type | 备注 Remark |
|----------|----------------------|-------------------|---------|----------------|---------------------|--------------|
| 1 | <u>DZ96259360108</u> | 翻梁支架 | Bracket | 1 | 全部车型 | |
| 2 | <u>190003559516</u> | 管接头用螺母 | Nut | 2 | 全部车型 | |
| 3 | <u>190003559561</u> | 卡套 | Bushing | 2 | 全部车型 | |
| 4 | <u>199014280016</u> | 衬套 | Bushing | 1 | 全部车型 | |

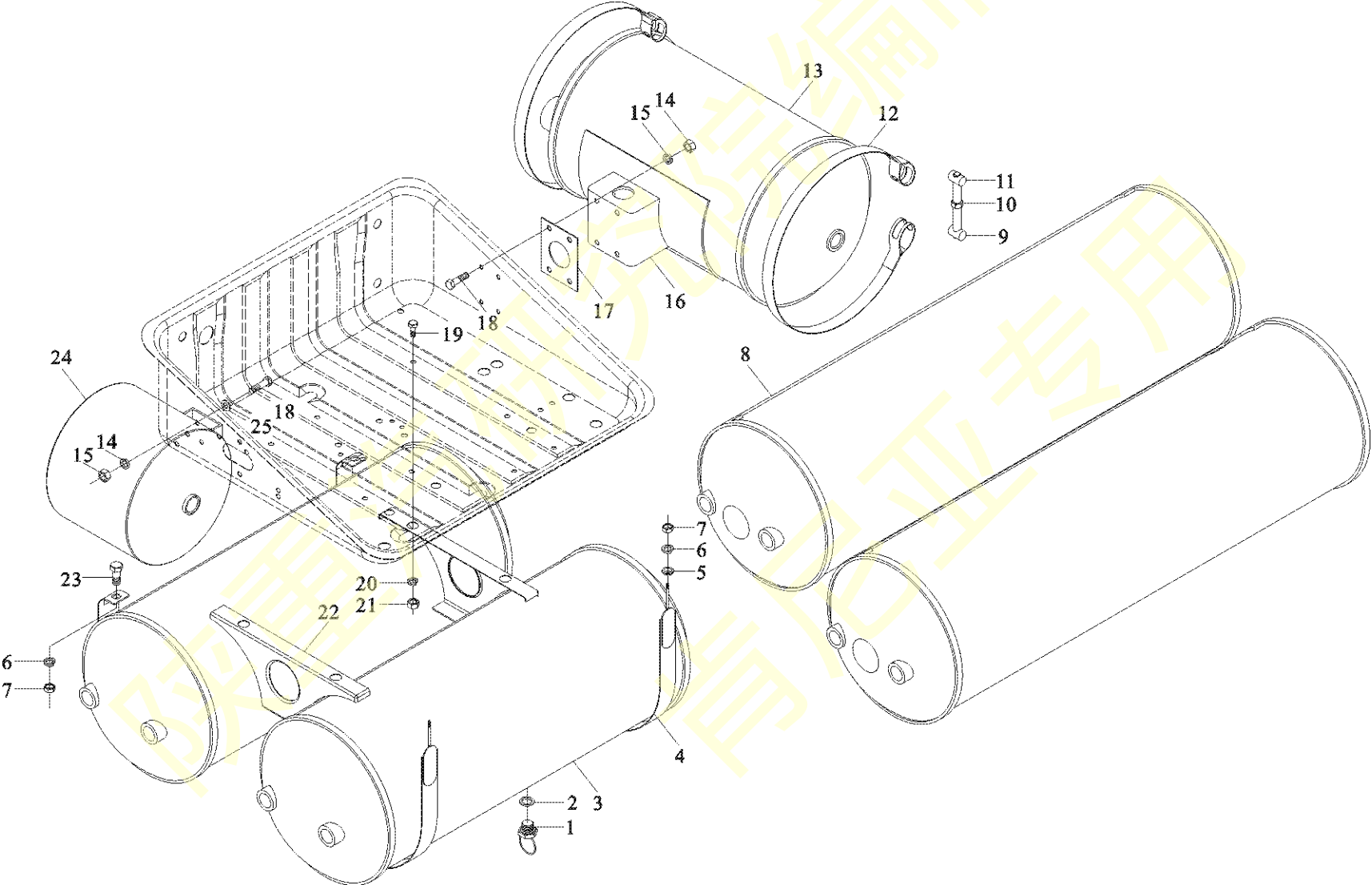
空气干燥器管路 AIR DRYER LINE



空气干燥器管路 AIR DRYER LINE

| 序号 NO | 件号 Part.No | 名称 Designation | Name | 数量 Quantity | 适用车型 Suited type | 备注 Remark |
|----------|----------------------|-------------------|-----------------------|----------------|---------------------|--------------|
| 1 | | 空压机 | Air compressor | 1 | | |
| 2 | AZ9100367002 | 5 升储气筒 (带支架) | 5l air tank | 1 | | |
| 3 | <u>81.52151.6094</u> | 四回路保护阀 | Four-loop guard valve | 1 | | |
| 4 | AZ9100368471 | 空气干燥器 | Air dryer | 1 | | |

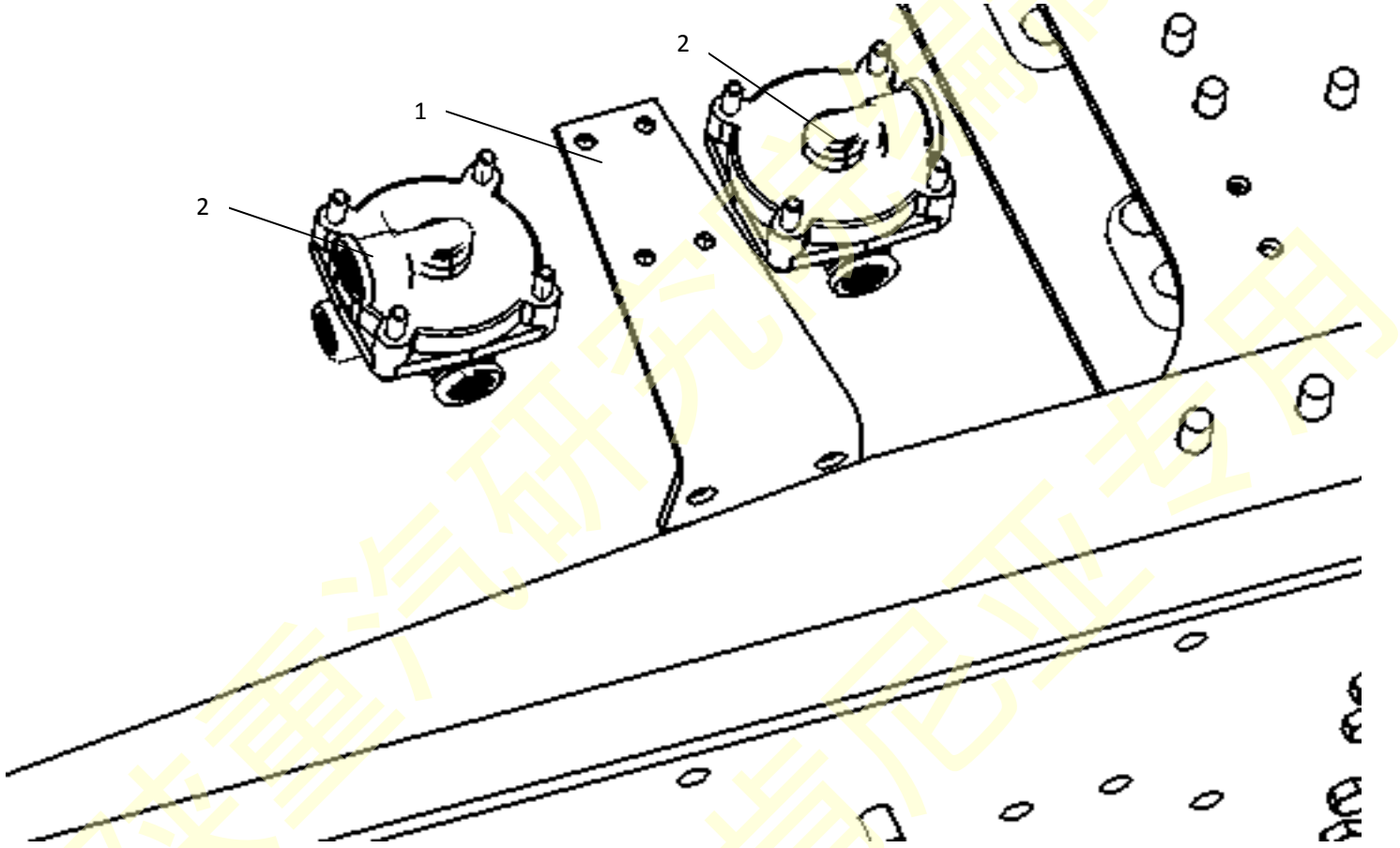
储气筒安装 AIR TANK FIXING



储气筒安装 AIR TANK FIXING

| 序号 NO | 件号 Part.No | 名称 Designation | Name | 数量 Quantity | 适用车型 Suited type | 备注 Remark |
|----------|---------------|-------------------|-----------------|----------------|---------------------|--------------|
| 1 | AZ9100368155 | 自动放水阀 | Valve | 2 | | |
| 2 | 199100360319 | 密封圈 | Seal ring | 2 | | |
| 4 | 199100360173 | 紧固带 | Fastening strap | 2 | | |
| 5 | 90003961510 | 球面垫圈 | Ball washer | 2 | | |
| 6 | Q40310 | 弹簧垫圈 | Spring washer | 4 | | |
| 7 | Q340B10 | I型六角螺母 | Nut | 4 | | |
| 8 | AZ9100369097 | 40升储气筒 | Air tank | 2 | | |
| 19 | Q150B0616 | 六角头螺栓 | Spring nut | 4 | | |
| 20 | Q40506 | 重型弹簧螺母 | Nut | 4 | | |
| 21 | Q340B06 | I型六角螺母 | Distance plate | 4 | | |
| 22 | 99100360101 | 隔板 | Hex screw | 2 | | |
| 23 | Q150B1025 | 六角头螺栓 | Air tank | 2 | | |
| 24 | AZ9100367002 | 5升储气筒 | Washer | 1 | | |
| 25 | Q40010 | 平垫圈 | | 3 | | |

继动阀安装(I) RELAY VALVE FIXING(I)

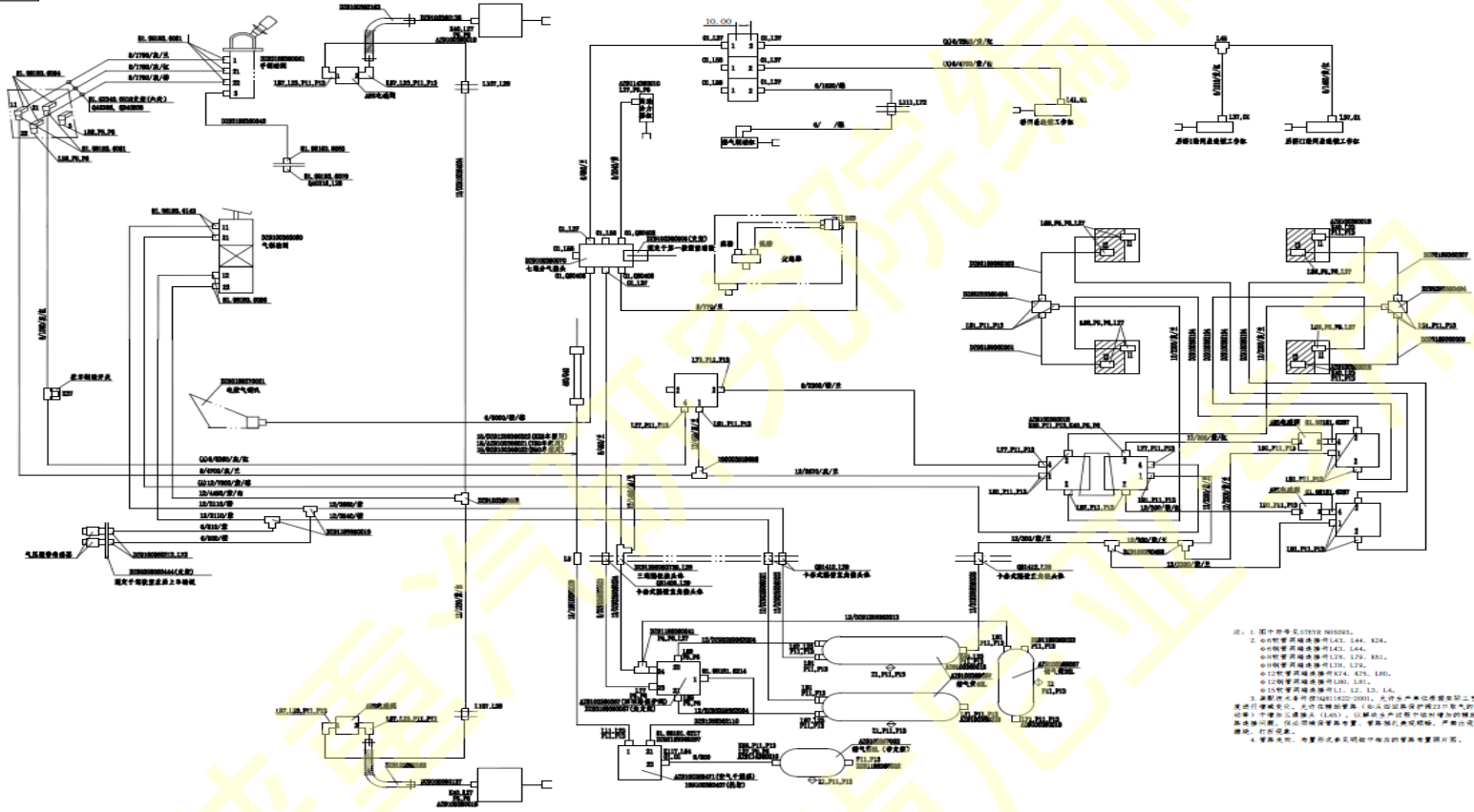


继动阀安装(I) RELAY VALVE FIXING(I)

| 序号 NO | 件号 Part.No | 名称 Designation | Name | 数量 Quantity | 适用车型 Suited type | 备注 Remark |
|----------|----------------------|-------------------|-------------|----------------|---------------------|--------------|
| 1 | DZ9114360400 | 支架总成 | Bracket | 1 | | |
| 2 | <u>81.52116.6070</u> | 继动阀 | Relay valve | 2 | | |

空气管路示意图

Z1E09669236ZD

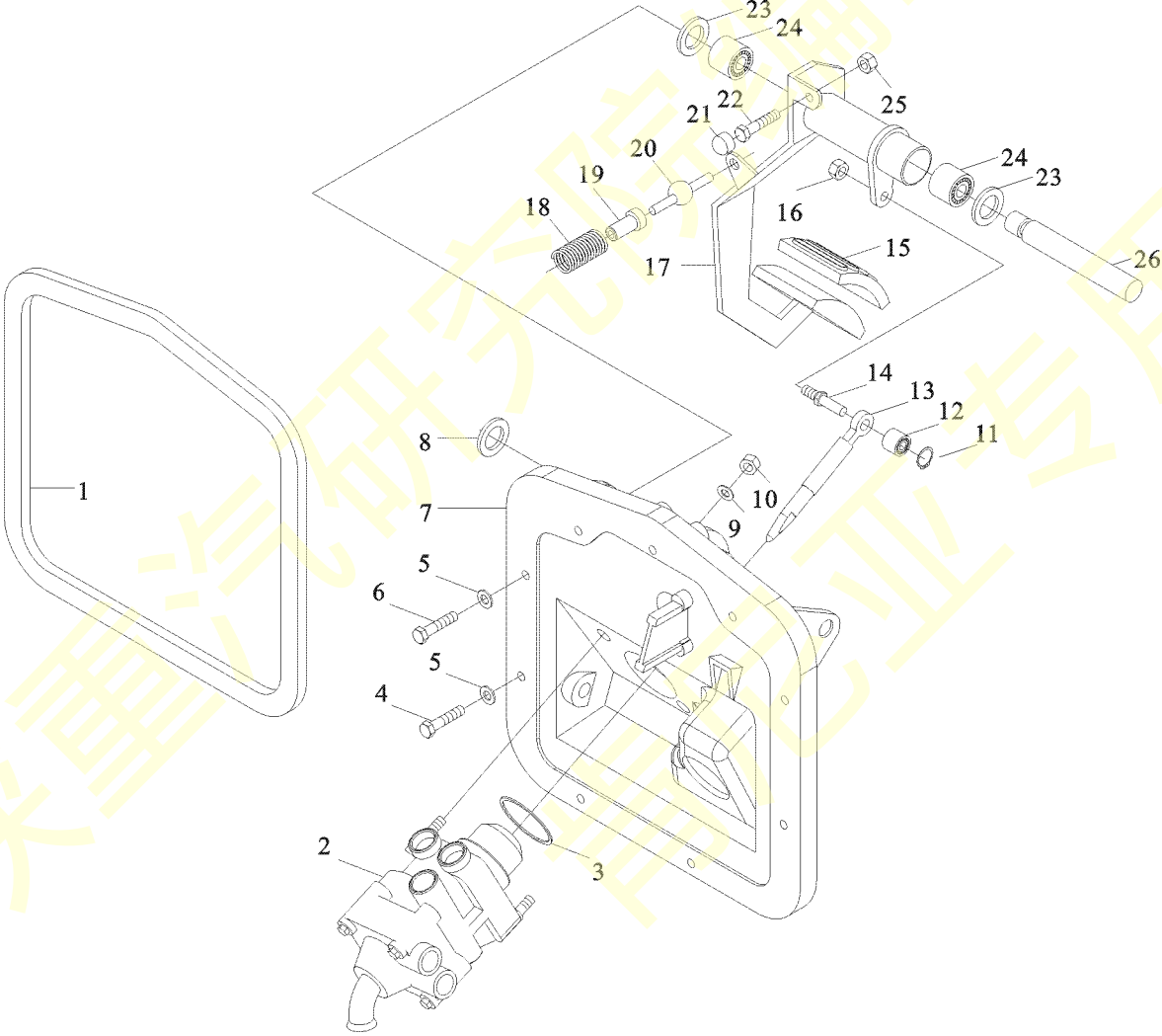


1. 图中所有尺寸均按 GB 10001.1 执行。
2. 0.5MPa 空气接收罐 L43、L44、K24、K25、K26、K27、K28、K29、K30、K31、K32、K33、K34、K35、K36、K37、K38、K39、K40、K41、K42、K43、K44、K45、K46、K47、K48、K49、K50、K51、K52、K53、K54、K55、K56、K57、K58、K59、K60、K61、K62、K63、K64、K65、K66、K67、K68、K69、K70、K71、K72、K73、K74、K75、K76、K77、K78、K79、K80、K81、K82、K83、K84、K85、K86、K87、K88、K89、K90、K91、K92、K93、K94、K95、K96、K97、K98、K99、K100。
3. 本图按 GB 10001.1-2001 执行，所有尺寸均按 GB 10001.1-2001 执行，所有尺寸均按 GB 10001.1-2001 执行，所有尺寸均按 GB 10001.1-2001 执行。
4. 图中所有尺寸均按 GB 10001.1 执行。

行车制动操纵机构 SERVE BRAKE CONTROL DEVICE

| 序号 NO | 件号 Part.No | 名称 Designation | Name | 数量 Quantity | 适用车型 Suited type | 备注 Remark |
|----------|---------------|-------------------|-------------------------|----------------|---------------------|--------------|
| 1 | 81.96601.0659 | 衬垫 | Gasket | 1 | | |
| 2 | DZ9100360080 | 气制动阀 | brake valve | 1 | | |
| 3 | 06.56341.1241 | 复曲面密封件 | Toric seal | 1 | | |
| 4 | 06.07069.0008 | 带槽六角有环螺栓 | Grooved hex collar bolt | 7 | | |
| 5 | 06.15013.0411 | 垫圈 | Washer | 9 | | |
| 6 | 06.07069.0011 | 带槽六角有环螺栓 | Grooved hex collar bolt | 2 | | |
| 7 | 81.48220.0106 | 座板支架 | Pedal bracket | 1 | | |
| 8 | 06.29050.0116 | 垫圈 | Washer | 1 | | |
| 9 | 06.15013.0411 | 垫圈 | Washer | 2 | | |
| 10 | 06.11064.2114 | 六角螺母 | Hexagon nut | 2 | | |
| 11 | 06.29050.0111 | 挡圈 | Criclip | 1 | | |
| 12 | 06.33719.0018 | 滚针轴承 | Needle bearing | 1 | | |
| 13 | 81.91020.0610 | 挺杆 | Tappet | 1 | | |
| 14 | 81.91020.0611 | 螺纹销 | Threaded pin | 1 | | |
| 15 | 81.48227.0006 | 踏板防尘罩 | Pedal covering | 1 | | |
| 16 | 06.11240.0406 | 六角锁紧螺母 | Hex lock nut | 1 | | |
| 17 | 81.48235.5033 | 制动踏板总成 | Brake pedal assembly | 1 | | |
| 18 | 06.46081.6338 | 压缩弹簧 | Pressure spring | 1 | | |
| 19 | 81.97680.0019 | 弹簧座 | Spring seat | 1 | | |
| 20 | 81.48225.0029 | 球销 | Ball pin | 1 | | |
| 21 | 81.96020.0369 | 橡胶垫 | Rubber pad | 1 | | |
| 22 | 06.01283.3115 | 六角螺栓 | Hex.screw | 1 | | |

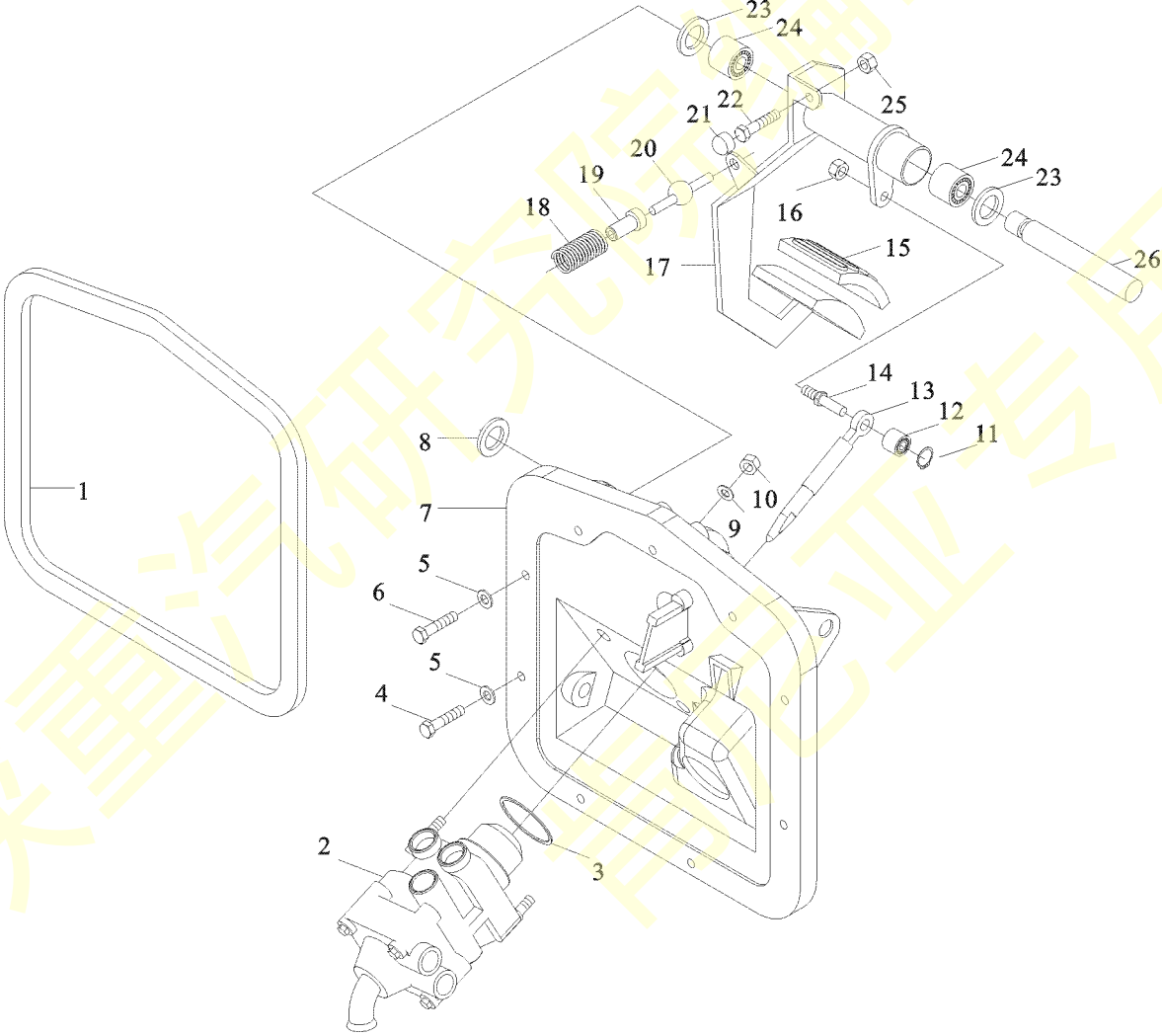
行车制动操纵机构 SERVE BRAKE CONTROL DEVICE



行车制动操纵机构 SERVE BRAKE CONTROL DEVICE

| 序号 NO | 件号 Part.No | 名称 Designation | Name | 数量 Quantity | 适用车型 Suited type | 备注 Remark |
|----------|---------------|-------------------|-------------------------|----------------|---------------------|--------------|
| 1 | 81.96601.0659 | 衬垫 | Gasket | 1 | | |
| 2 | DZ9100360080 | 气制动阀 | brake valve | 1 | | |
| 3 | 06.56341.1241 | 复曲面密封件 | Toric seal | 1 | | |
| 4 | 06.07069.0008 | 带槽六角有环螺栓 | Grooved hex collar bolt | 7 | | |
| 5 | 06.15013.0411 | 垫圈 | Washer | 9 | | |
| 6 | 06.07069.0011 | 带槽六角有环螺栓 | Grooved hex collar bolt | 2 | | |
| 7 | 81.48220.0106 | 座板支架 | Pedal bracket | 1 | | |
| 8 | 06.29050.0116 | 垫圈 | Washer | 1 | | |
| 9 | 06.15013.0411 | 垫圈 | Washer | 2 | | |
| 10 | 06.11064.2114 | 六角螺母 | Hexagon nut | 2 | | |
| 11 | 06.29050.0111 | 挡圈 | Criclip | 1 | | |
| 12 | 06.33719.0018 | 滚针轴承 | Needle bearing | 1 | | |
| 13 | 81.91020.0610 | 挺杆 | Tappet | 1 | | |
| 14 | 81.91020.0611 | 螺纹销 | Threaded pin | 1 | | |
| 15 | 81.48227.0006 | 踏板防尘罩 | Pedal covering | 1 | | |
| 16 | 06.11240.0406 | 六角锁紧螺母 | Hex lock nut | 1 | | |
| 17 | 81.48235.5033 | 制动踏板总成 | Brake pedal assembly | 1 | | |
| 18 | 06.46081.6338 | 压缩弹簧 | Pressure spring | 1 | | |
| 19 | 81.97680.0019 | 弹簧座 | Spring seat | 1 | | |
| 20 | 81.48225.0029 | 球销 | Ball pin | 1 | | |
| 21 | 81.96020.0369 | 橡胶垫 | Rubber pad | 1 | | |
| 22 | 06.01283.3115 | 六角螺栓 | Hex.screw | 1 | | |

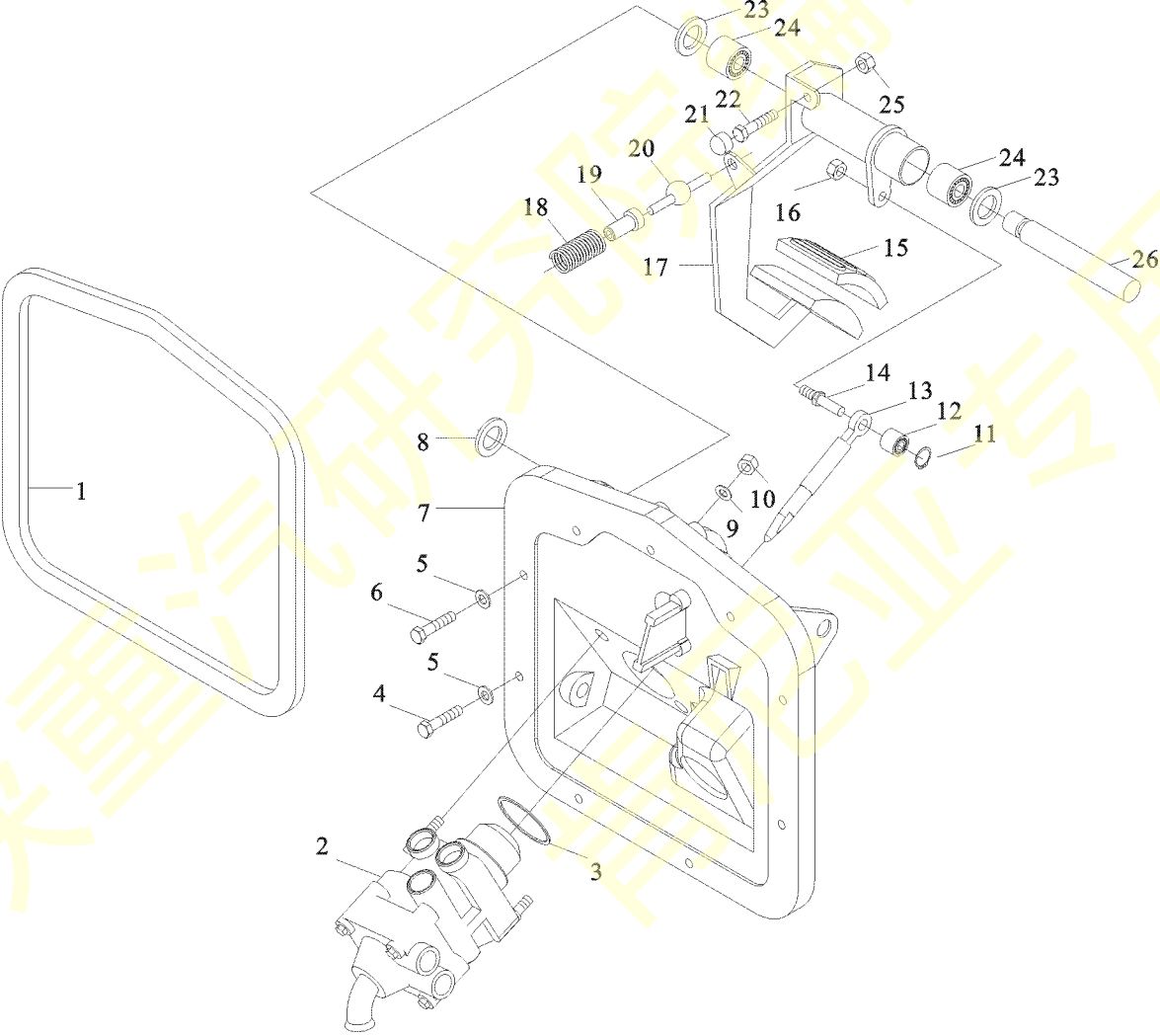
行车制动操纵机构 SERVE BRAKE CONTROL DEVICE



行车制动操纵机构 SERVE BRAKE CONTROL DEVICE

| 序号 NO | 件号 Part.No | 名称 Designation | Name | 数量 Quantity | 适用车型 Suited type | 备注 Remark |
|----------|---------------|-------------------|-------------------------|----------------|---------------------|--------------|
| 1 | 81.96601.0659 | 衬垫 | Gasket | 1 | | |
| 2 | DZ9100360080 | 气制动阀 | brake valve | 1 | | |
| 3 | 06.56341.1241 | 复曲面密封件 | Toric seal | 1 | | |
| 4 | 06.07069.0008 | 带槽六角有环螺栓 | Grooved hex collar bolt | 7 | | |
| 5 | 06.15013.0411 | 垫圈 | Washer | 9 | | |
| 6 | 06.07069.0011 | 带槽六角有环螺栓 | Grooved hex collar bolt | 2 | | |
| 7 | 81.48220.0106 | 座板支架 | Pedal bracket | 1 | | |
| 8 | 06.29050.0116 | 垫圈 | Washer | 1 | | |
| 9 | 06.15013.0411 | 垫圈 | Washer | 2 | | |
| 10 | 06.11064.2114 | 六角螺母 | Hexagon nut | 2 | | |
| 11 | 06.29050.0111 | 挡圈 | Criclip | 1 | | |
| 12 | 06.33719.0018 | 滚针轴承 | Needle bearing | 1 | | |
| 13 | 81.91020.0610 | 挺杆 | Tappet | 1 | | |
| 14 | 81.91020.0611 | 螺纹销 | Threaded pin | 1 | | |
| 15 | 81.48227.0006 | 踏板防尘罩 | Pedal covering | 1 | | |
| 16 | 06.11240.0406 | 六角锁紧螺母 | Hex lock nut | 1 | | |
| 17 | 81.48235.5033 | 制动踏板总成 | Brake pedal assembly | 1 | | |
| 18 | 06.46081.6338 | 压缩弹簧 | Pressure spring | 1 | | |
| 19 | 81.97680.0019 | 弹簧座 | Spring seat | 1 | | |
| 20 | 81.48225.0029 | 球销 | Ball pin | 1 | | |
| 21 | 81.96020.0369 | 橡胶垫 | Rubber pad | 1 | | |
| 22 | 06.01283.3115 | 六角螺栓 | Hex.screw | 1 | | |

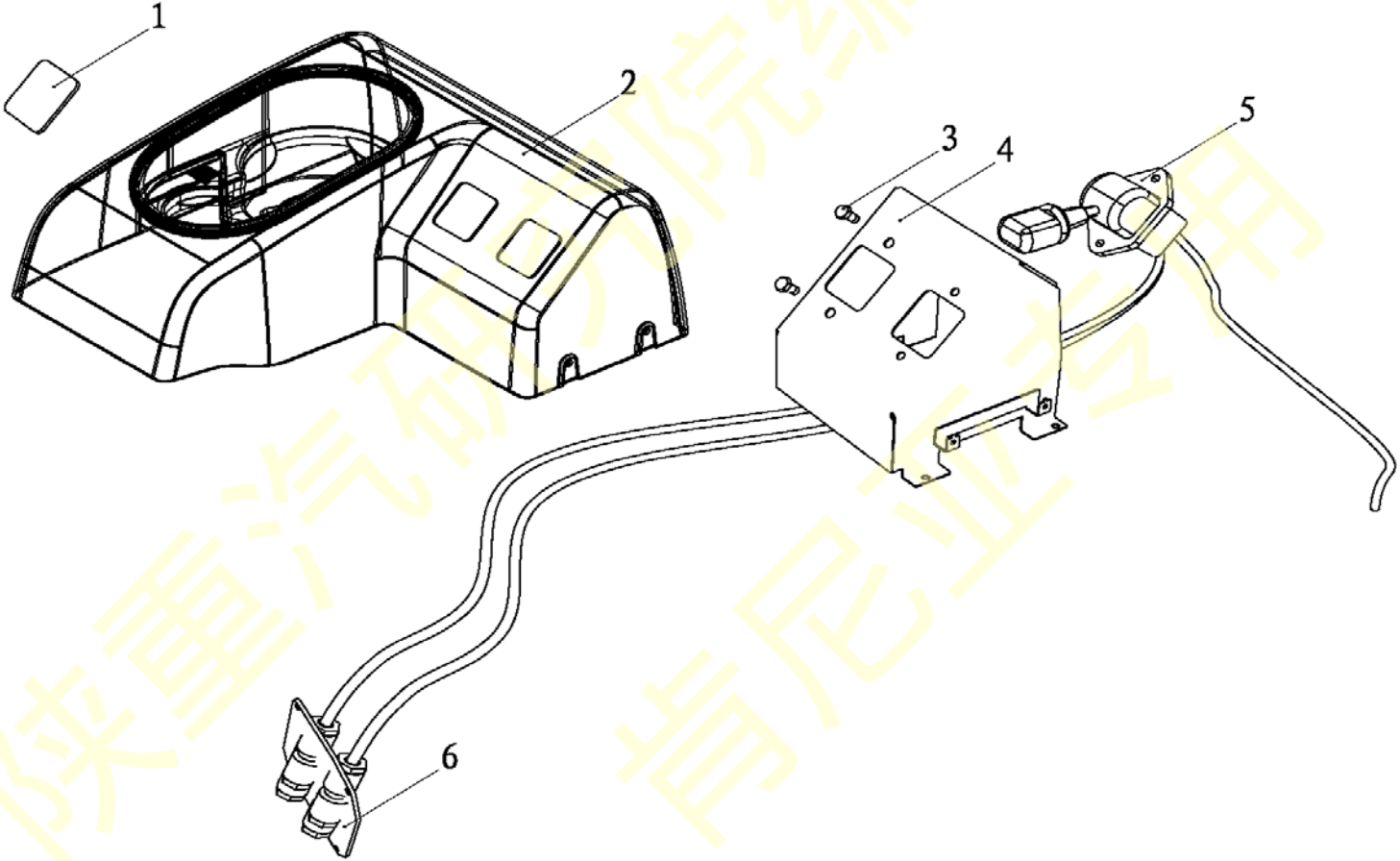
行车制动操纵机构 SERVEBRAKE CONTROL DEVICE



行车制动操纵机构 SERVEBRAKE CONTROL DEVICE

| 序号 NO | 件号 Part.No | 名称 Designation | Name | 数量 Quantity | 适用车型 Suited type | 备注 Remark |
|----------|---------------|-------------------|------------------|----------------|---------------------|--------------|
| 23 | 06.15114.0418 | 调整垫圈 | Adjusting washer | 2 | | |
| 24 | 06.33719.0005 | 滚针轴承 | Needle bearing | 2 | | |
| 25 | 06.11064.2114 | 六角螺母 | Hexagon nut | 1 | | |
| 26 | 81.48210.0033 | 踏板轴 | Pedal shaft | 1 | | |

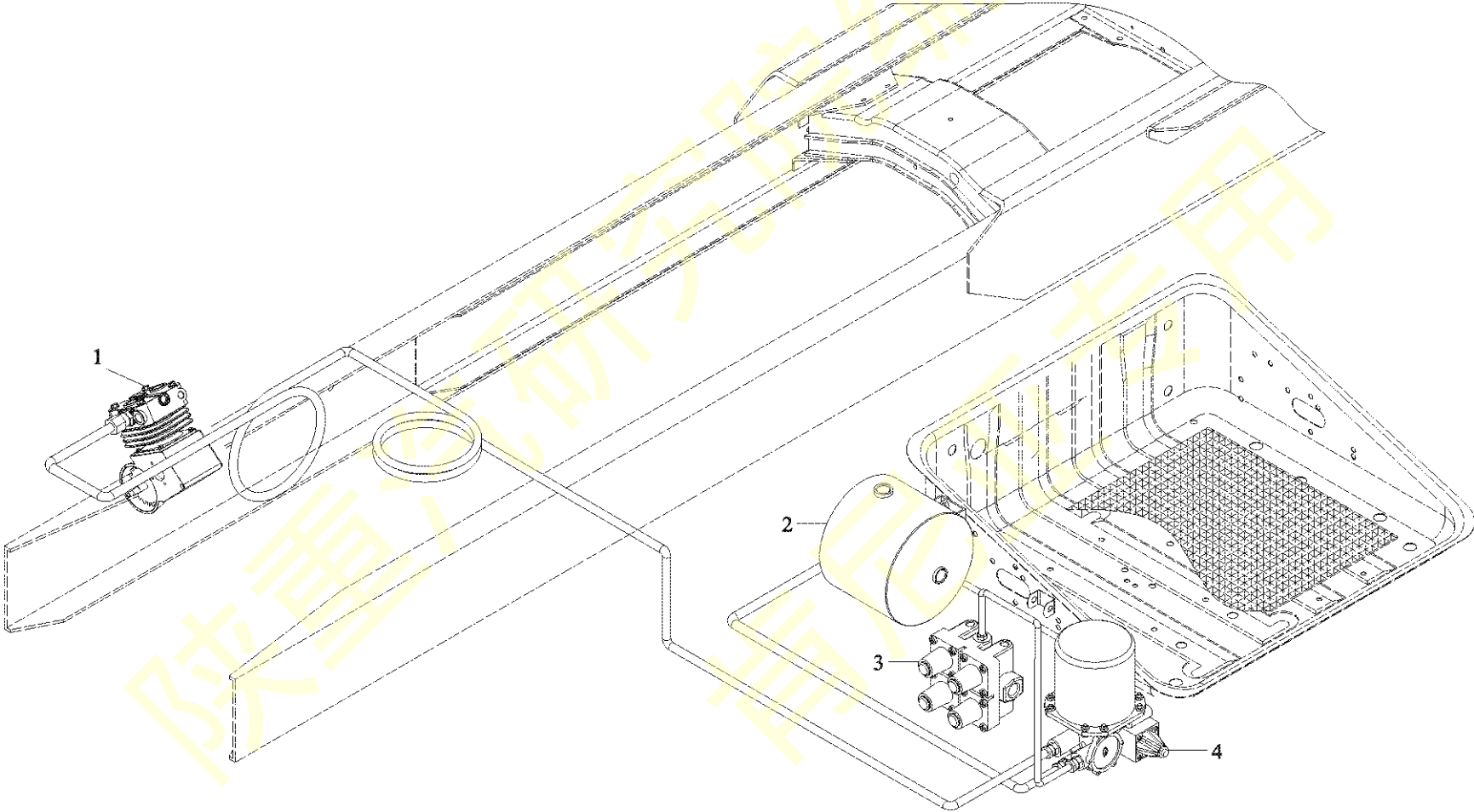
驻车制动操纵机构 PARKING BRAKE CONTROL DEVICE



驻车制动操纵机构 PARKING BRAKE CONTROL DEVICE

| 序号 NO | 件号 Part.No | 名称 Designation | Name | 数量 Quantity | 适用车型 Suited type | 备注 Remark |
|----------|---------------|-------------------|--------------------------|----------------|---------------------|--------------|
| 1 | DZ93189360153 | 手阀堵盖 | Cap | 1 | | |
| 2 | DZ93259360150 | 手阀护罩带杯托总成 | Hand brake valve cap | 1 | 所有牵引车 | 2010 伟世通内饰 |
| | DZ93189360052 | 手制动阀装饰罩 | Hand brake valve cap | 1 | 所有牵引车 | 2009 改型内饰 |
| 3 | Q150B0815 | 六角头螺栓 | Hex.screw | 2 | | |
| 4 | DZ93189360054 | 手制动阀支架总成 | Hand brake valve bracket | 1 | | |
| 5 | DZ93189360061 | 手制动阀 | Hand brake valve | 1 | | |
| 6 | 81.98181.6125 | 固定板 | Plate | 1 | | |

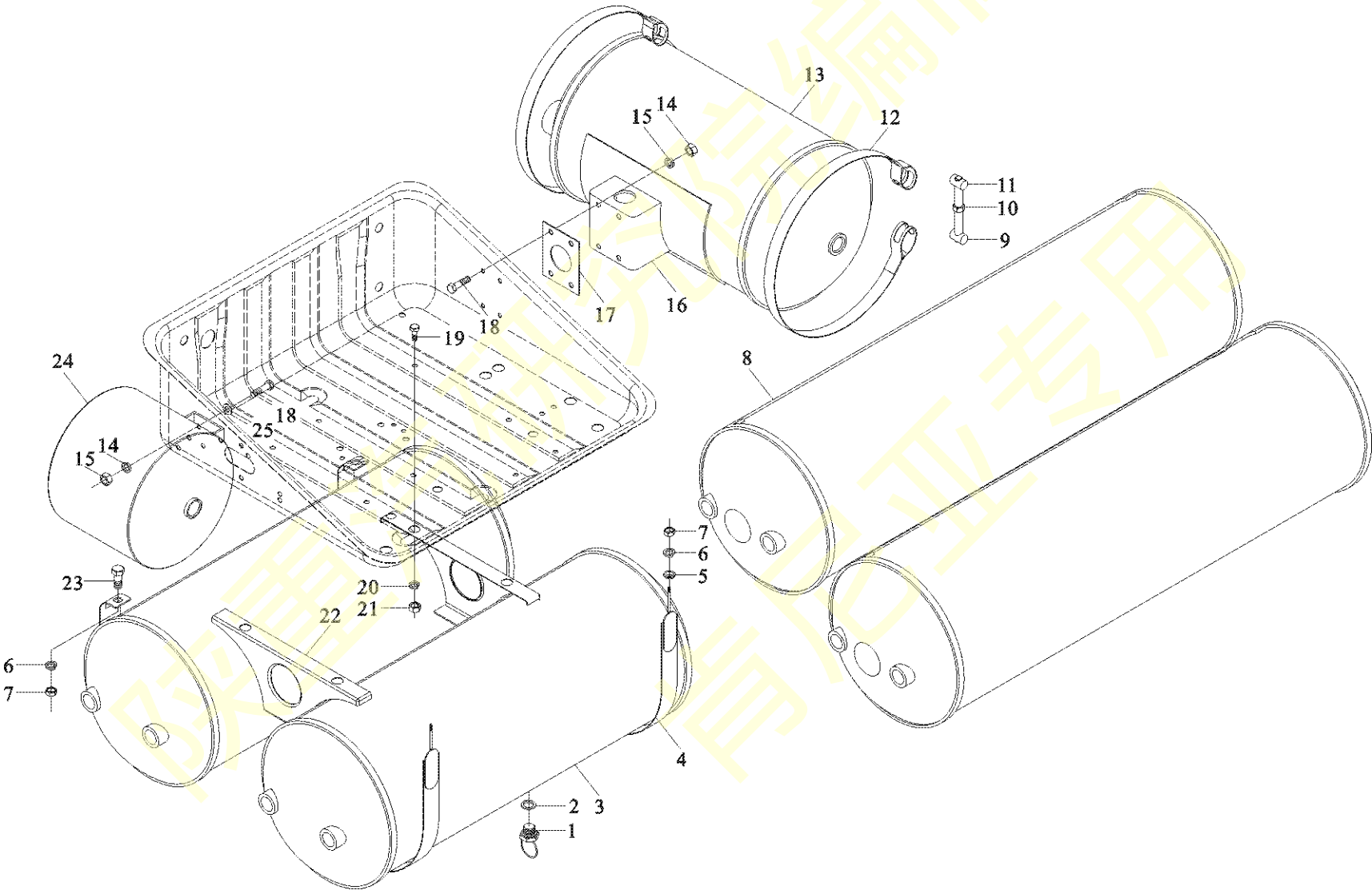
空气干燥器管路 AIR DRYER LINE



空气干燥器管路 AIR DRYER LINE

| 序号 NO | 件号 Part.No | 名称 Designation | Name | 数量 Quantity | 适用车型 Suited type | 备注 Remark |
|----------|---------------|-------------------|-----------------------|----------------|---------------------|--------------|
| 1 | | 空压机 | Air compressor | 1 | | |
| 2 | AZ9100367002 | 5升储气筒(带支架) | 5l air tank | 1 | | |
| 3 | 81.52151.6094 | 四回路保护阀 | Four-loop guard valve | 1 | | |
| 4 | AZ9100368471 | 空气干燥器 | Air dryer | 1 | | |

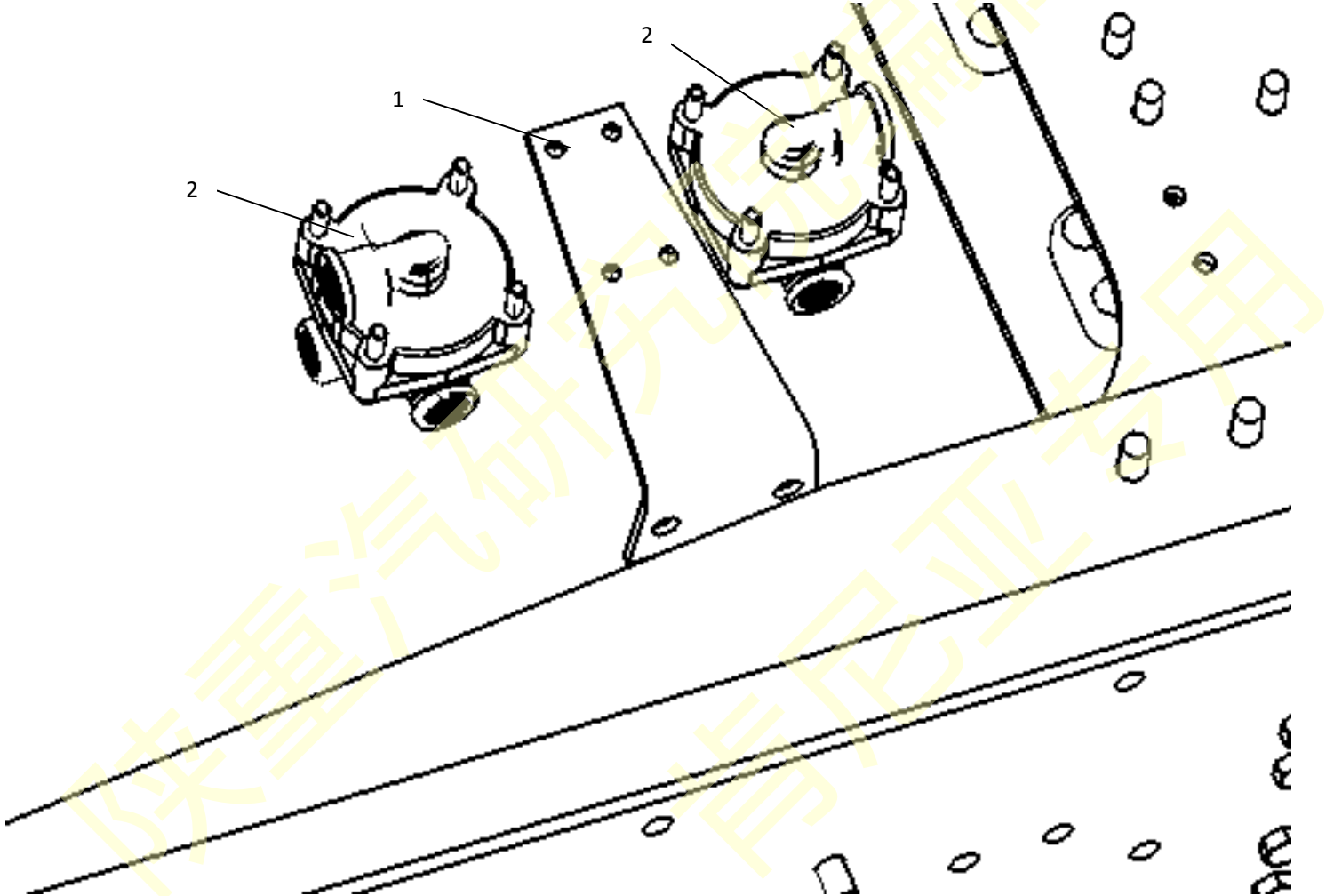
储气筒安装 AIR TANK FIXING



储气筒安装 AIR TANK FIXING

| 序号 NO | 件号 Part.No | 名称 Designation | Name | 数量 Quantity | 适用车型 Suited type | 备注 Remark |
|----------|---------------|-------------------|-----------------|----------------|---------------------|--------------|
| 1 | AZ9100368155 | 自动放水阀 | Valve | 2 | | |
| 2 | 199100360319 | 密封圈 | Seal ring | 2 | | |
| 4 | 199100360173 | 紧固带 | Fastening strap | 2 | | |
| 5 | 90003961510 | 球面垫圈 | Ball washer | 2 | | |
| 6 | Q40310 | 弹簧垫圈 | Spring washer | 4 | | |
| 7 | Q340B10 | I型六角螺母 | Nut | 4 | | |
| 8 | AZ9100369097 | 40升储气筒 | Air tank | 2 | | |
| 19 | Q150B0616 | 六角头螺栓 | Spring nut | 4 | | |
| 20 | Q40506 | 重型弹簧螺母 | Nut | 4 | | |
| 21 | Q340B06 | I型六角螺母 | Distance plate | 4 | | |
| 22 | 99100360101 | 隔板 | Hex screw | 2 | | |
| 23 | Q150B1025 | 六角头螺栓 | Air tank | 2 | | |
| 24 | AZ9100367002 | 5升储气筒 | Washer | 1 | | |
| 25 | Q40010 | 平垫圈 | | 3 | | |

继动阀安装(I) RELAY VALVE FIXING(I)

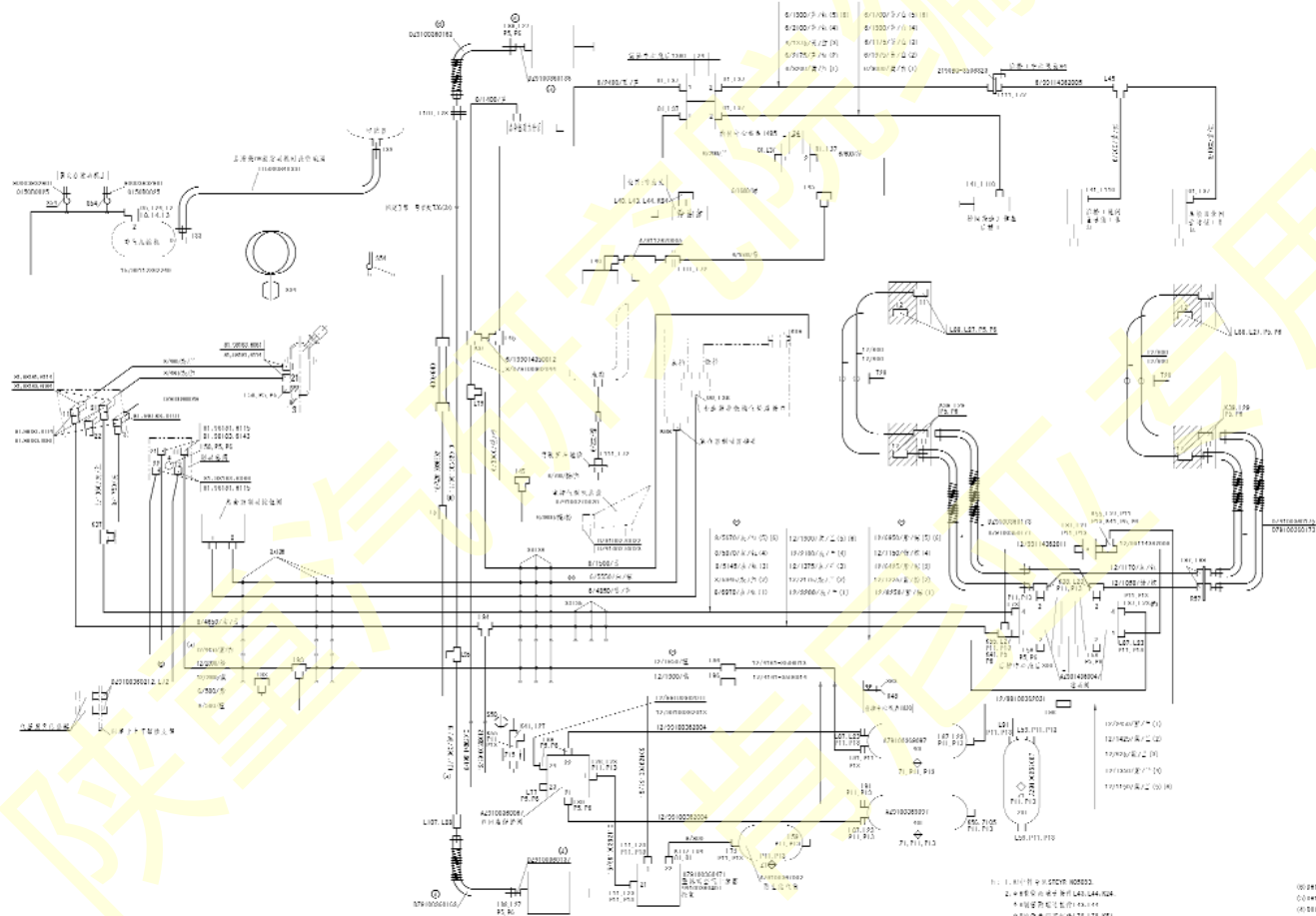


继动阀安装(I) RELAY VALVE FIXING(I)

| 序号 NO | 件号 Part.No | 名称 Designation | Name | 数量 Quantity | 适用车型 Suited type | 备注 Remark |
|----------|---------------|-------------------|-------------|----------------|---------------------|--------------|
| 1 | DZ9114360400 | 支架总成 | Bracket | 1 | | |
| 2 | DZ93189360033 | 继动阀 | Relay valve | 2 | | |

空气管路示意图

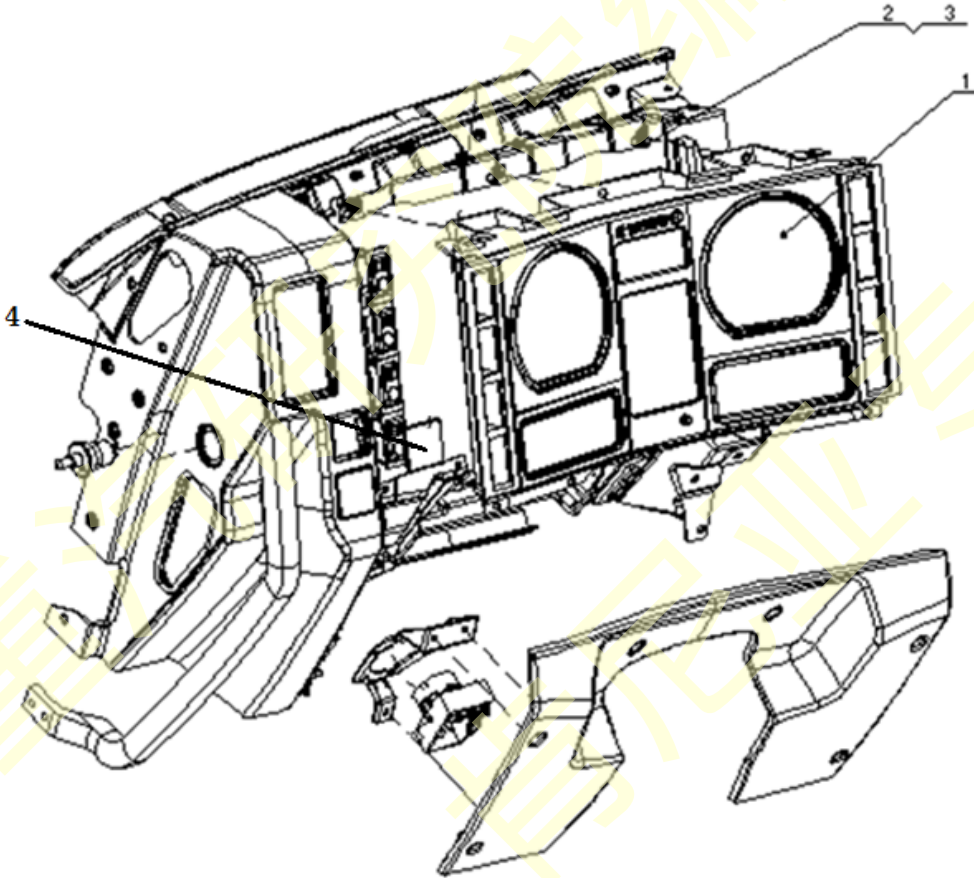
00000001620



| | |
|-----|-------------|
| 比例尺 | 1:2000 |
| 图例 | 见附表 |
| 设计 | XXX |
| 审核 | XXX |
| 日期 | 2023.10.10 |
| 图号 | 00000001620 |
| 比例 | 1:2000 |

驾驶室电器 The cab electrical appliances

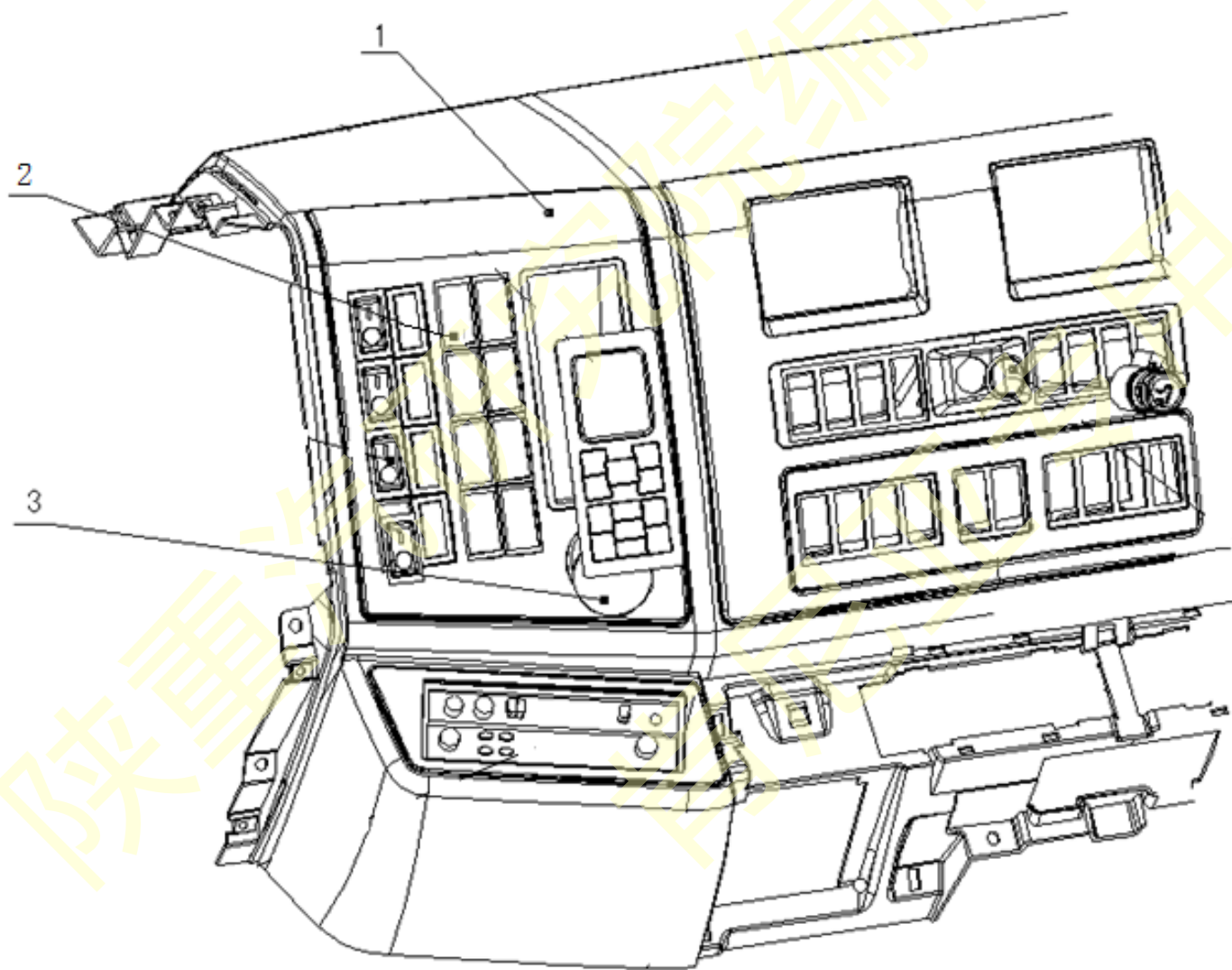
组合仪表总成 COMBINATION GAUGE ASSY WITH FRAME



组合仪表总成 COMBINATION GAUGE ASSY WITH FRAME

| 序号 NO | 件号 Part.No | 名称 Designation | Name | 数量 Quantity | 适用车型 Suited type | 备注 Remark |
|----------|---------------|-------------------|--------------------|----------------|---------------------|-------------------|
| 1 | DZ93189584134 | 组合仪表（机械泵、CAN） | instrument cluster | 1 | | |
| 2 | 06.13189.0099 | 簧片螺母 | Reed nut | 7 | | ST4.8-2-MAN183-B1 |
| 3 | Q2714813 | 十字槽盘头自攻螺钉 | Screw | 7 | | |
| | Q40106 | 平垫圈 | Washer | 7 | | |
| 4 | DZ95189583615 | 电动后视镜堵盖 | | 4 | | |

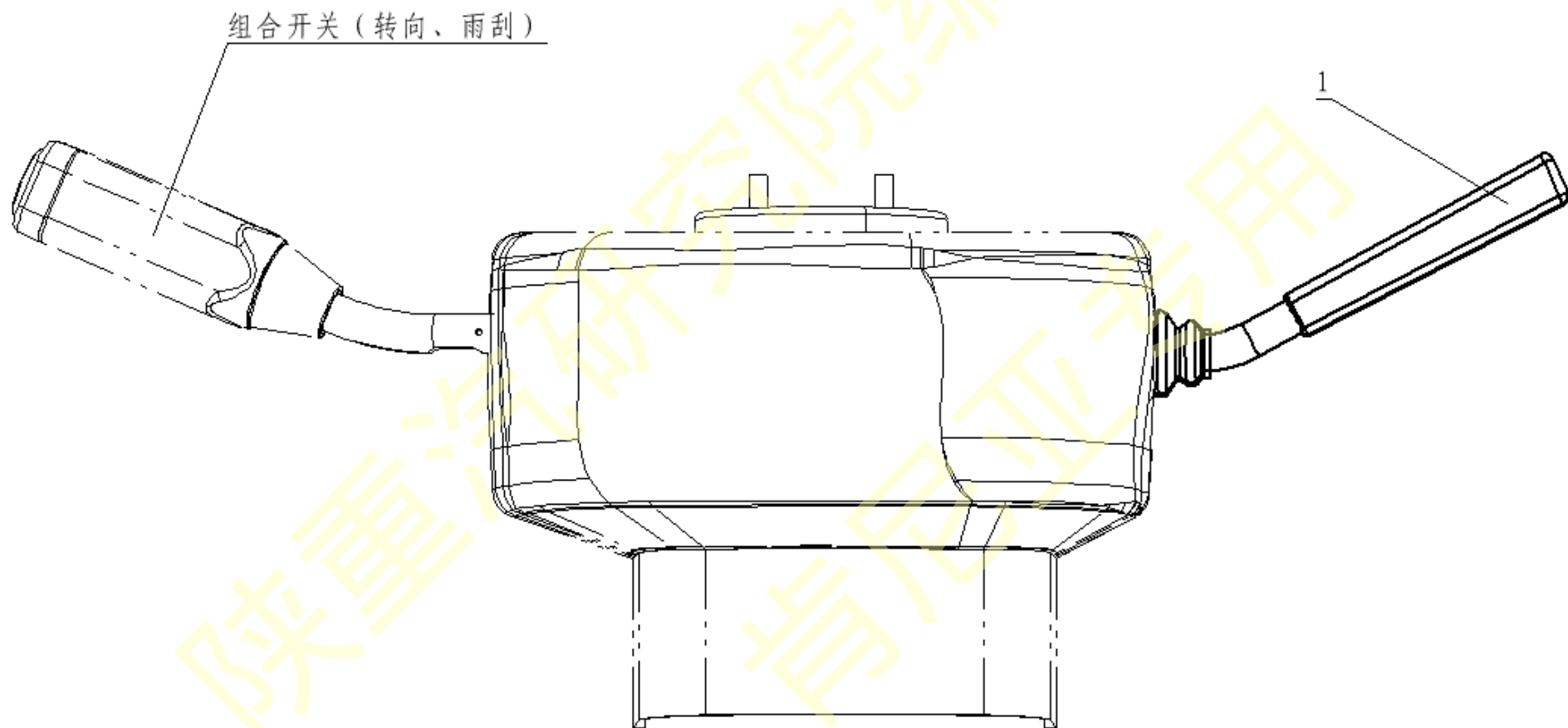
翘板开关、收音机和点烟器 SWITCH、RADIO AND CIGARETTE LIGHTER



翘板开关、收放机和点烟器 SWITCH、RADIO AND CIGARETTE LIGHTER

| 序号 NO | 件号 Part.No | 名称 Designation | Name | 数量 Quantity | 适用车型 Suited type | 备注 Remark |
|----------|---------------|-------------------|--------------|----------------|---------------------|--------------|
| 1 | DZ95189582610 | 开关板总成（右置驾驶室） | Switch board | 1 | | |
| 2 | DZ95189584613 | 翘板开关堵盖 | Plug | 12 | | |
| 3 | DZ95189584614 | 圆堵盖 | Plug | 1 | | |

排气制动开关 EXHAUST BRAKE SWITCH

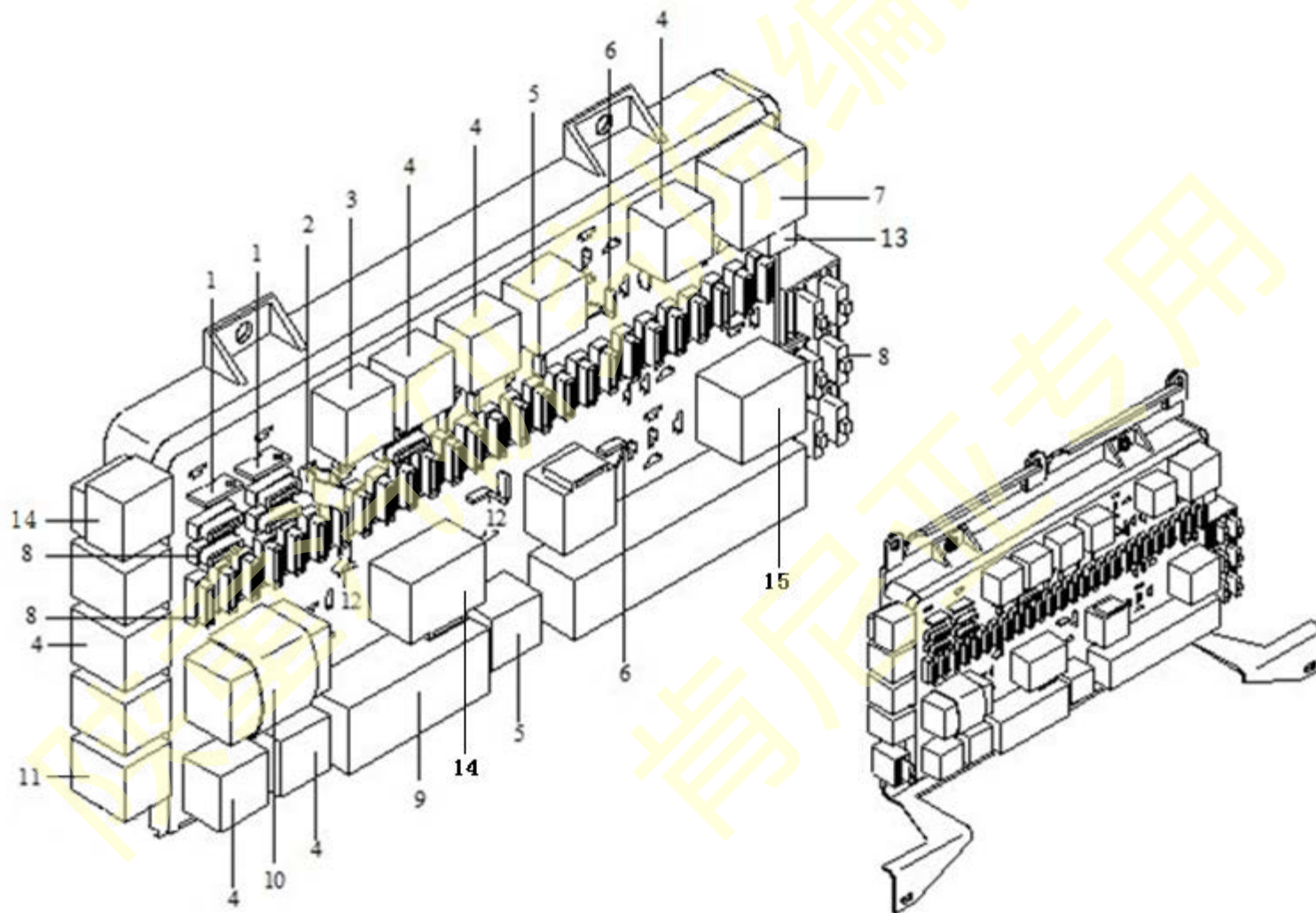


陕重汽研究院编制

排气制动开关 EXHAUST BRAKE SWITCH

| 序号 NO | 件号 Part.No | 名称 Designation | Name | 数量 Quantity | 适用车型 Suited type | 备注 Remark |
|----------|---------------|-------------------|----------------------|----------------|---------------------|--------------|
| 1 | DZ95189583111 | 排气制动开关（转向柱上） | Exhaust brake switch | 1 | | |

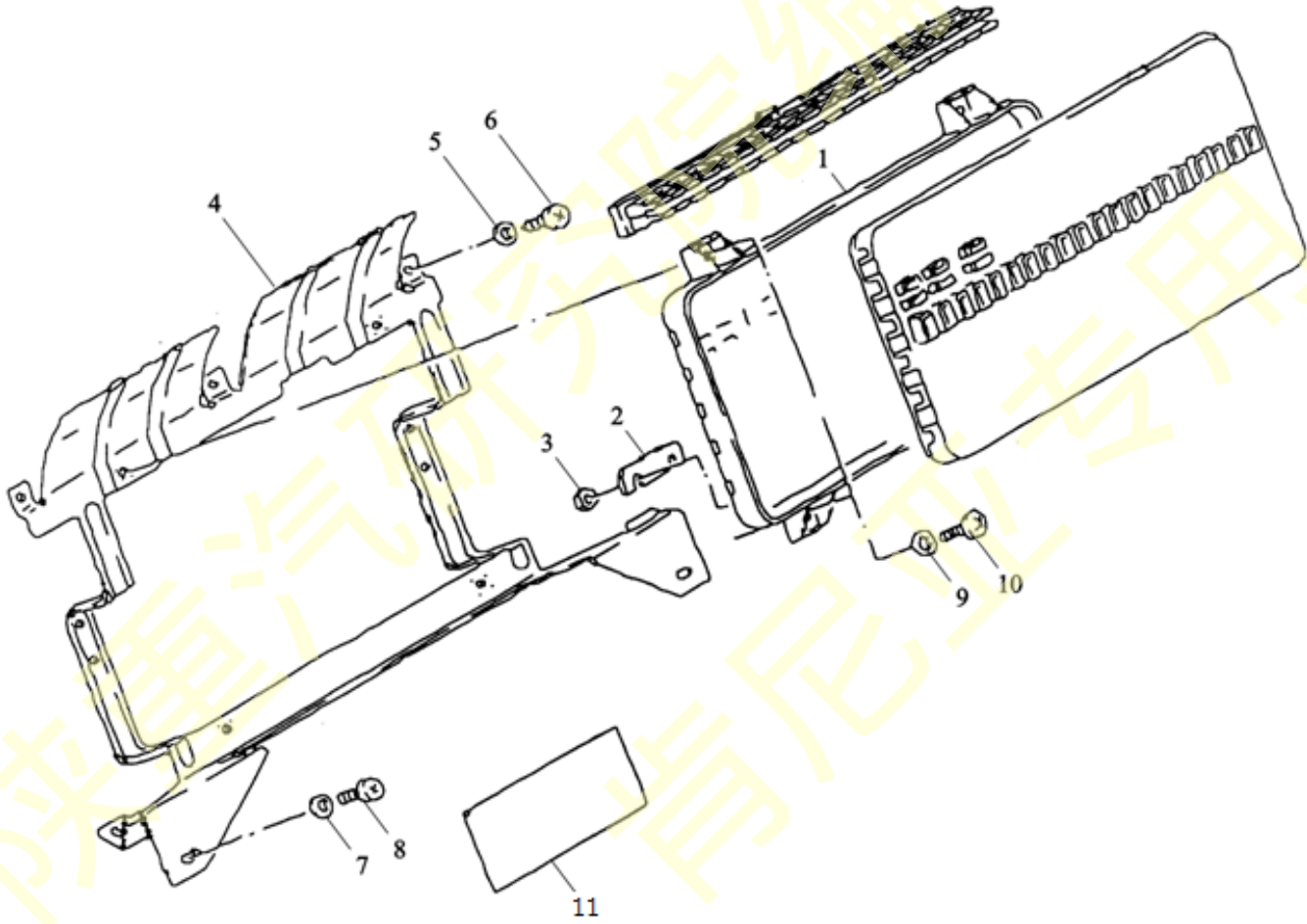
中央电器装置板（一） ELECTRIC PANEL I



中央电器装置板（一） ELECTRIC PANEL I

| 序号 NO | 件号 Part.No | 名称 Designation | Name | 数量 Quantity | 适用车型 Suited type | 备注 Remark |
|----------|---------------|----------------------|--------------------------|----------------|---------------------|--------------|
| 1 | 07.91203.0106 | 连接片 | Connecting piece | 2 | | |
| 2 | 81.66818.0002 | 熔断丝插拔器 | Insert pull tools | 1 | | |
| 3 | 81.25902.0410 | 继电器 | Relay | 1 | | 2*20A |
| 4 | 81.25902.0459 | 继电器 | Relay | 6 | | |
| 5 | 81.25902.0460 | 继电器（转换式） | Relay | 3 | | 332 209 206 |
| 6 | 07.91203.0104 | 连接片 | Connecting piece | 2 | | |
| 7 | 81.25902.0317 | 中央继电器 | Center relay | 1 | | +15 |
| 8 | 81.25436.0065 | 红色熔断丝(10A) | Red fuse | 2 | | |
| | 81.25436.0066 | 蓝色熔断丝(15A) | Blue fuse | 1 | | |
| | 81.25436.0067 | 黄色熔断丝(20A) | Yellow fuse | 1 | | |
| | 81.25436.0068 | 白色熔断丝(25A) | White fuse | 1 | | |
| | 81.25436.0079 | 橙色熔断丝(40A) | Orange fuse | 1 | | |
| | DZ93189584403 | 保险丝(ETA: 1616-21-10) | | 17 | | |
| | DZ93189584404 | 保险丝(ETA: 1616-21-15) | | 4 | | |
| | DZ93189584405 | 保险丝(ETA: 1616-21-20) | | 1 | | |
| 9 | DZ93189585807 | 雨刮/闪光间隙控制器(改进) | Control element | 1 | | |
| 10 | DZ93189585806 | 闪光继电器(改进) | Flash relay | 1 | | |
| 11 | 81.25902.0469 | 后雾灯继电器 | Tail fog lamp relay | 1 | | |
| 12 | 07.91203.0105 | 连接片 | Connecting piece (short) | 6 | | |
| 13 | 81.25927.0107 | 二极管 | Diode | 1 | | |
| 14 | DZ9100586025 | 二极管(二) | Diode | 1 | | |
| 15 | 81.25902.0378 | 发动机极限值继电器 | | 1 | | |
| 16 | 81.25902.0376 | 延时继电器 | | 1 | | |

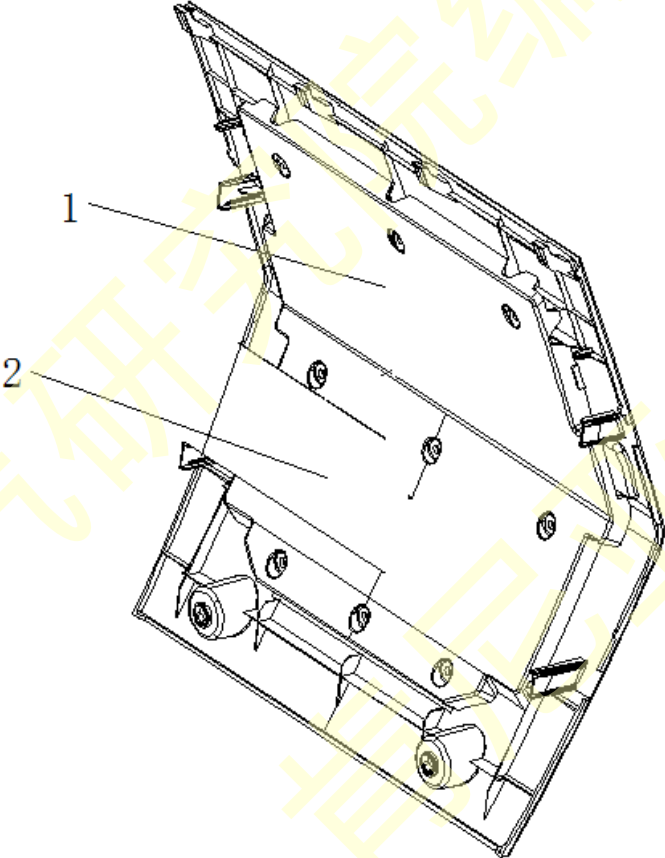
CENTER ELECTRIC PANEL II 中央电器装置板 (二)



中央电器装置板（二） CENTER ELECTRIC PANEL II

| 序号 NO | 件号 Part.No | 名称 Designation | Name | 数量 Quantity | 适用车型 Suited type | 备注 Remark |
|----------|---------------|-------------------|-----------------------|----------------|---------------------|-------------------|
| 1 | 81.25444.6060 | 中央电器装置板 | Center electric panel | 1 | | |
| 2 | 81.25908.0010 | 两孔连接片 | Connecting plate | 1 | | |
| 3 | Q340B05 | 1型六角螺母 | Hex nut | 2 | | |
| | Q40305 | 弹簧垫圈 | | 1 | | |
| | Q40005 | 小垫圈 | | 2 | | |
| 4 | DZ95189582620 | 电器装置板安装支架总成（右置车） | Bracket Assembly | 1 | | |
| | DZ95189583650 | 电器装置板支架总成 | Bracket Assembly | 1 | | |
| 5 | Q40106 | 平垫圈 | Flat washer | 4 | | |
| 6 | Q2714813 | 十字槽盘头自攻螺钉 | Screw | 4 | | |
| 7 | Q40206 | 大垫圈 | Washer | 4 | | |
| | 06.13189.0099 | 簧片螺母 | Nut | 4 | | ST4.8-2-MAN183-B1 |
| 8 | Q2140616 | 十字槽盘头螺钉 | Washer | 4 | | |
| 9 | Q40208 | 大垫圈 | Washer | 4 | | |
| 10 | Q2540820 | 十字槽沉头螺钉 | Screw | 4 | | |
| 11 | 81.61460.2036 | 保护垫 | Cushion | 4 | | |

中央电器装置标志牌 ELECTRIC PANEL SCUTCHEON



中央电器装置标志牌 ELECTRIC PANEL SCUTCHEON

| 序号 NO | 件号 Part.No | 名称 Designation | Name | 数量 Quantity | 适用车型 Suited type | 备注 Remark |
|----------|---------------|--------------------|----------------------------|----------------|---------------------|--------------|
| 1 | DZ93189580406 | 中央电器装置板标志牌(潍柴, 右置) | Center electric panel mark | 1 | | |
| 2 | DZ93189580150 | 中央电器装置板警示说明牌 | Center electric panel mark | 1 | | |

堵盖 PLUG

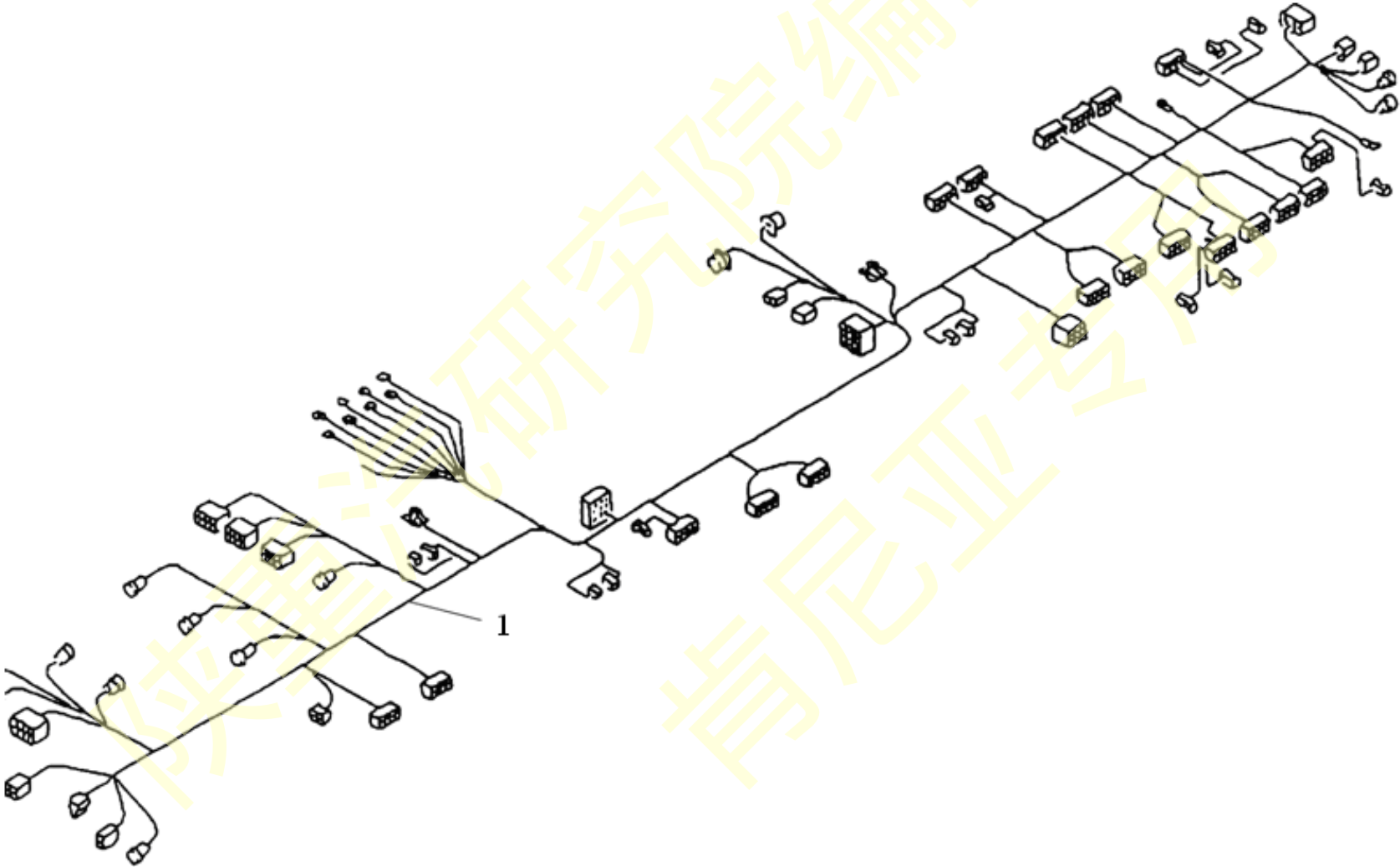


1

堵盖 PLUG

| 序号 NO | 件号 Part.No | 名称 Designation | Name | 数量 Quantity | 适用车型 Suited type | 备注 Remark |
|----------|---------------|------------------------------------|---|----------------|---------------------|--------------|
| 1 | 81.25425.0023 | 前围长方形堵盖 | Front circumference rectangular block cover | 3 | | |
| | 81.96601.0505 | 石棉垫 --46.7-50.8*50.8*1.6/5.2-CR | Stone cotton cushion--46.7-50.8U 50.8U 1.6 / 5.2-CR | 3 | | |
| | Q2714813 | 十字槽盘头自攻螺钉 | Cross recessed head tapping screw | 20 | | |

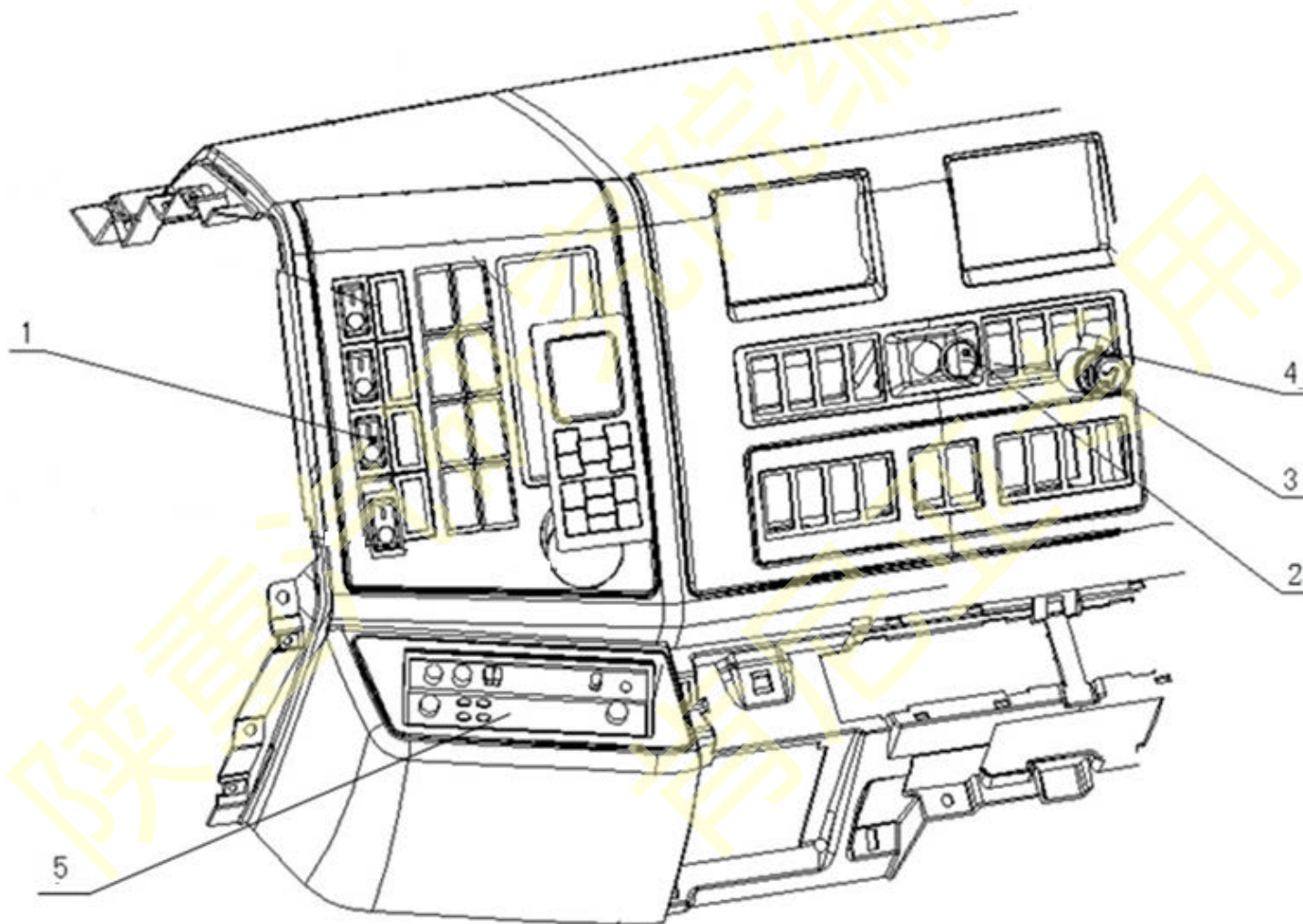
驾驶室电线束（仪表台内） CENTRAL ELECTRICAL SYSTEM



驾驶室电线束（仪表台内） CENTRAL ELECTRICAL SYSTEM

| 序 号 NO | 件 号 Part.No | 名 称 Designation | Name | 数 量 Quantity | 适用车型 Suited type | 备 注 Remark |
|-----------|----------------|------------------------------|-----------------------|-----------------|---------------------|---------------|
| 1 | DZ95189771900 | 驾驶室线束总成(右置/机械发 动机/CAN 仪表) | Cabin wiring assembly | 1 | | |

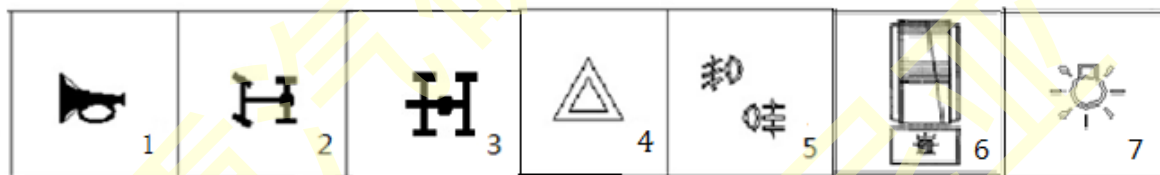
翘板开关、收音机和点烟器 SWITCH、RADIO AND CIGARETTE LIGHTER



翘板开关、收放机和点烟器 SWITCH、RADIO AND CIGARETTE LIGHTER

| 序号 NO | 件号 Part.No | 名称 Designation | Name | 数量 Quantity | 适用车型 Suited type | 备注 Remark |
|----------|---------------|--------------------------|----------------------|----------------|---------------------|--------------|
| 1 | | 翘板开关 | Switch | 按需 | | 见翘板开关详注 |
| 2 | DZ95189583663 | 点烟器发光环 | Cigar lighter ring | 1 | | |
| 3 | 85.25236.0001 | 灯座(烟灰盒照明) | Lamp holder | 2 | | |
| 4 | 81.25901.0043 | 灯泡(LD-24V-1W-W2*4.6D) | Bulb | 2 | | |
| | 81.28901.0018 | 点烟器插座 | Cigar lighter socket | 1 | | |
| | 81.28901.0017 | 点烟器(24V) | Cigar lighter | 1 | | |
| 5 | DZ93189781020 | 24V 收放机(全电子调谐、USB 接口) | Radio | 1 | | |

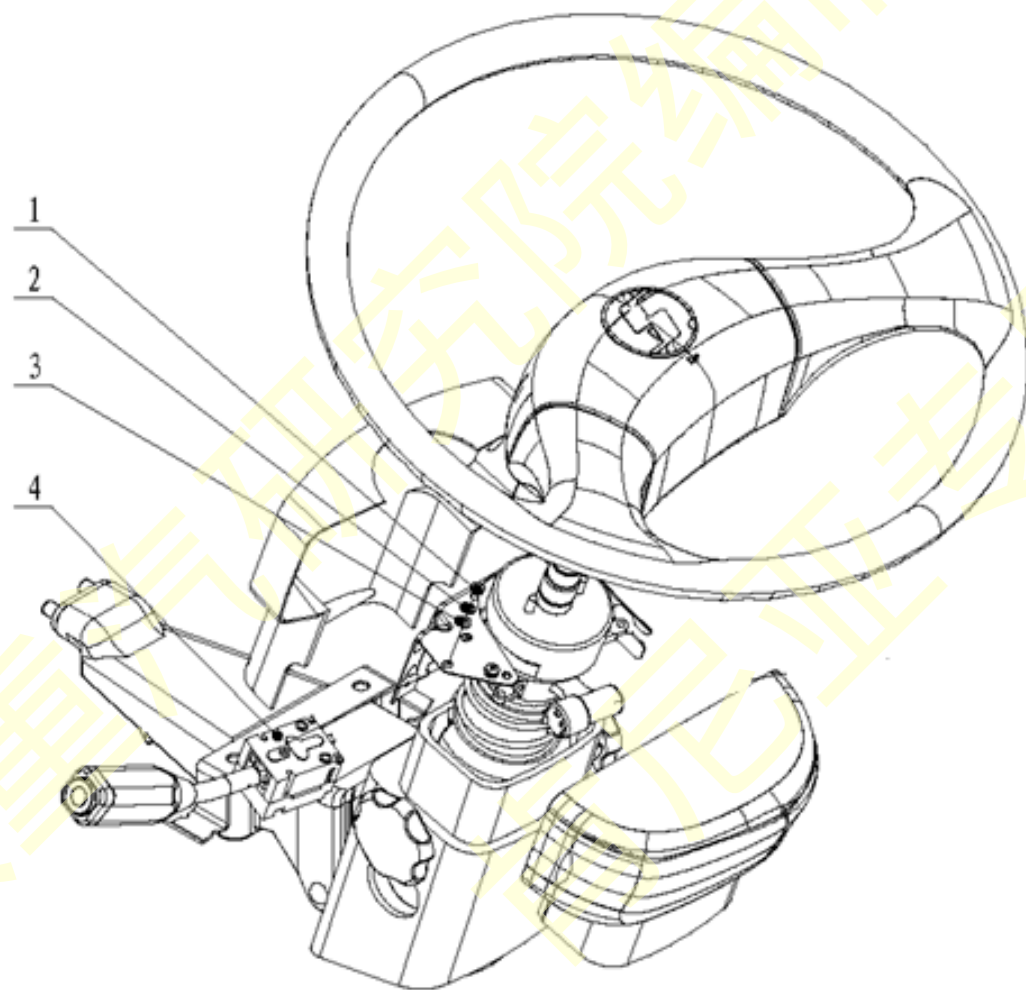
翘板开关 SWITCH



翘板开关 SWITCH

| 序号 NO | 件号 Part.No | 名称 Designation | Name | 数量 Quantity | 适用车型 Suited type | 备注 Remark |
|----------|---------------|-------------------|------------------------------|----------------|---------------------|--------------|
| 1 | DZ9200581021 | 喇叭转换翘板开关 | Horn transition switch | 1 | | |
| 2 | 81.25505.6267 | 轮间差速锁翘板开关 | Switch for differential lock | 1 | | |
| 3 | 81.25505.6280 | 轴间差速锁翘板开关 | Switch for differential lock | 1 | | |
| 4 | 81.25505.6291 | 危急报警翘板开关 | Hazard signal switch | 1 | | |
| 5 | 81.25505.6607 | 雾灯翘板开关 | Fog lighter switch | 1 | | |
| 6 | 81.25907.0225 | 灯光亮度翘板开关 | Lightness adjusting switch | 1 | | |
| 7 | 81.25505.6255 | 灯光翘板开关 | Lightness switch | 1 | | |

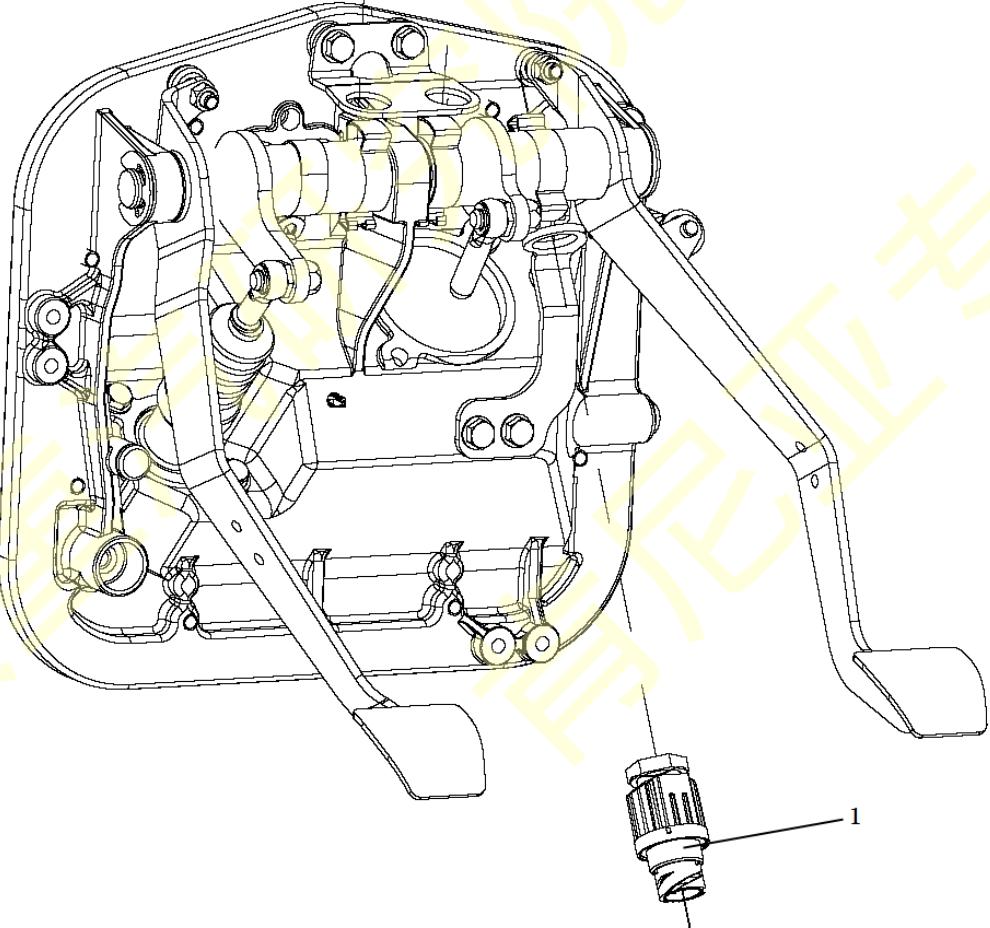
组合开关 COMMBINATION SWITCH



组合开关 COMMBINATION SWITCH

| 序 号 NO | 件 号 Part.No | 名 称 Designation | Name | 数 量 Quantity | 适用车型 Suited type | 备 注 Remark |
|-----------|----------------|--------------------|--------------------|-----------------|---------------------|---------------|
| 1 | Q2140512 | 十字槽盘头螺钉 | Screw | 3 | | |
| 2 | Q40305 | 弹簧垫圈 | Spring washer | 3 | | |
| 3 | Q40005 | 小垫圈 | Small washer | 3 | | |
| 4 | 81.25509.0124 | 组合开关 | Combination switch | 1 | | |

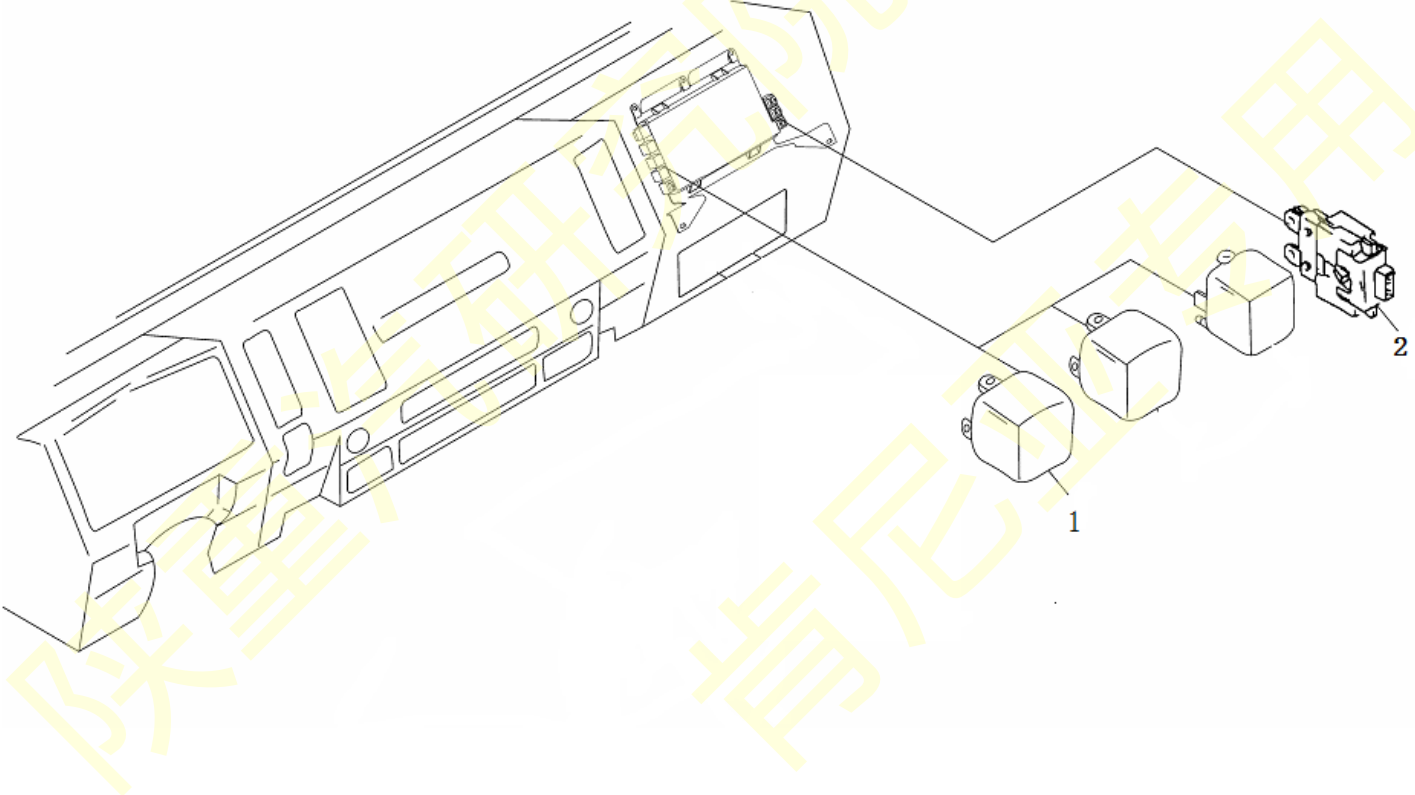
制动开关 BRAKE SWITCH



制动开关 BRAKE SWITCH

| 序号 NO | 件号 Part.No | 名称 Designation | Name | 数量 Quantity | 适用车型 Suited type | 备注 Remark |
|----------|---------------|-------------------|--------------|----------------|---------------------|--------------|
| 1 | DZ93189582550 | 制动开关 | Brake switch | 1 | | |

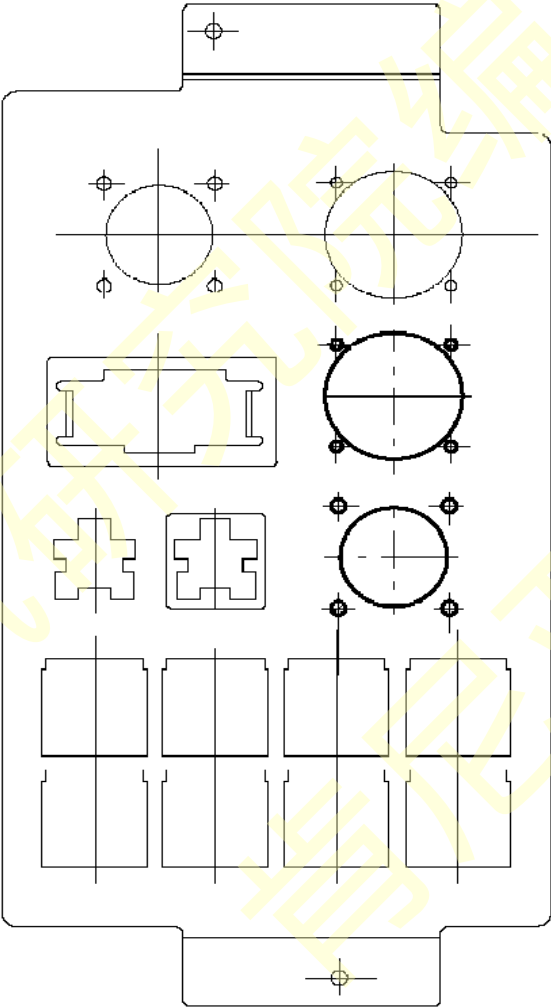
继电器、熔断丝 RELAY、FUZE



继电器、熔断丝 RELAY、FUZE

| 序号 NO | 件号 Part.No | 名称 Designation | Name | 数量 Quantity | 适用车型 Suited type | 备注 Remark |
|----------|---------------|----------------------|-------|----------------|---------------------|--------------|
| 1 | 81.25902.0459 | 继电器 | Relay | 1 | | |
| 2 | DZ93189584403 | 保险丝(ETA: 1616-21-10) | Fuse | 1 | | |

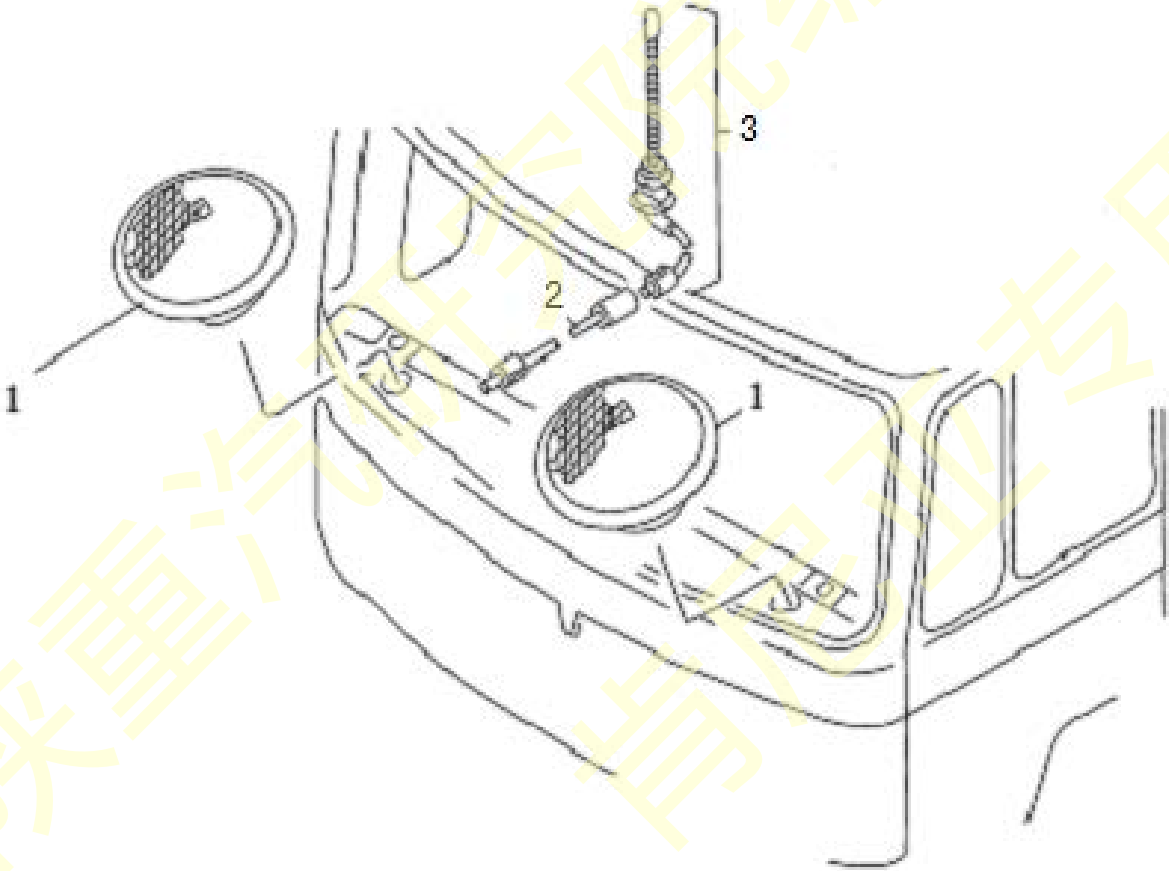
诊断接口装置板



诊断接口装置板

| 序号 NO | 件号 Part.No | 名称 Designation | Name | 数量 Quantity | 适用车型 Suited type | 备注 Remark |
|----------|---------------|--------------------|--|----------------|---------------------|--------------|
| 1 | DZ93189582002 | 诊断接口装置板 (TCU/ECAS) | Diagnostic interface board (TCUP/ECAS) | 1 | | |

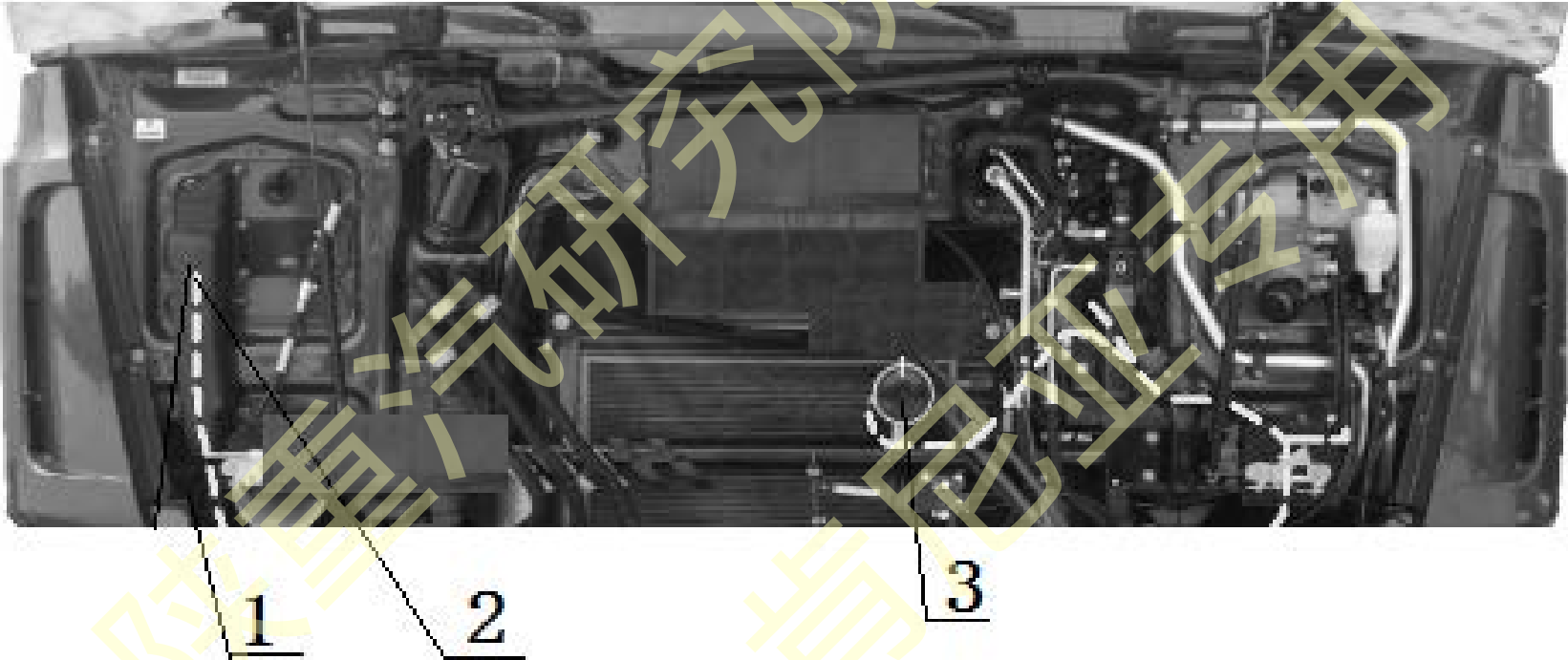
收放机、扬声器及天线连接线 RADIO LOUDHAILER TRANSFORMER WIRE



收发机、扬声器及天线连接线 RADIO LOUDHAILER TRANSFORMER WIRE

| 序号 NO | 件号 Part.No | 名称 Designation | Name | 数量 Quantity | 适用车型 Suited type | 备注 Remark |
|----------|---------------|-------------------|-----------------|----------------|---------------------|-------------------|
| 1 | DZ95189583666 | 扬声器 | Loud hailer(8Ω) | 2 | | 24V 收发机 24V Radio |
| 2 | 81.28104.0033 | 馈线 | Feed back wire | 1 | | |
| 3 | 81.28205.0054 | 天线总成 | Antenna | 1 | | |

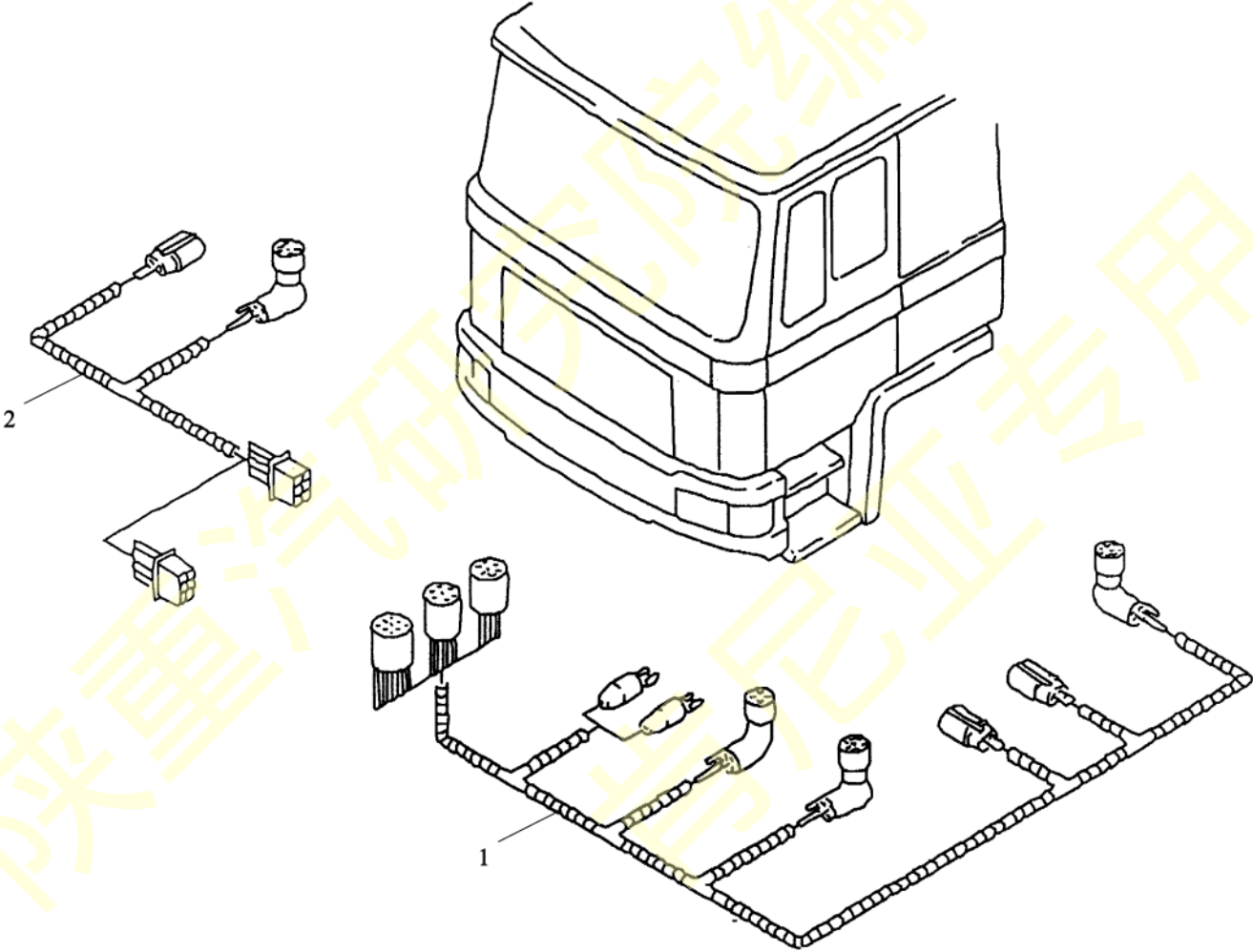
电喇叭 REAR LIGHT



电喇叭 REAR LIGHT

| 序号 NO | 件号 Part.No | 名称 Designation | Name | 数量 Quantity | 适用车型 Suited type | 备注 Remark |
|----------|---------------|-------------------|-------------------|----------------|---------------------|--------------|
| 1 | 81.25441.0643 | 固定支架(左前部分电线束) | Bracket | 2 | | |
| 2 | 1.25425.6002 | 线束保护罩 | Cover | 1 | | |
| 3 | 81.25301.6066 | 电喇叭 | Electronical horn | 1 | | |
| | Q150B0820T1F3 | 六角头螺栓 | Bolt | 1 | | |
| | Q40108 | 平垫圈 | Washer | 1 | | |
| | Q33208T2F3 | 2 型全金属六角锁紧螺母 | Nut | 1 | | |

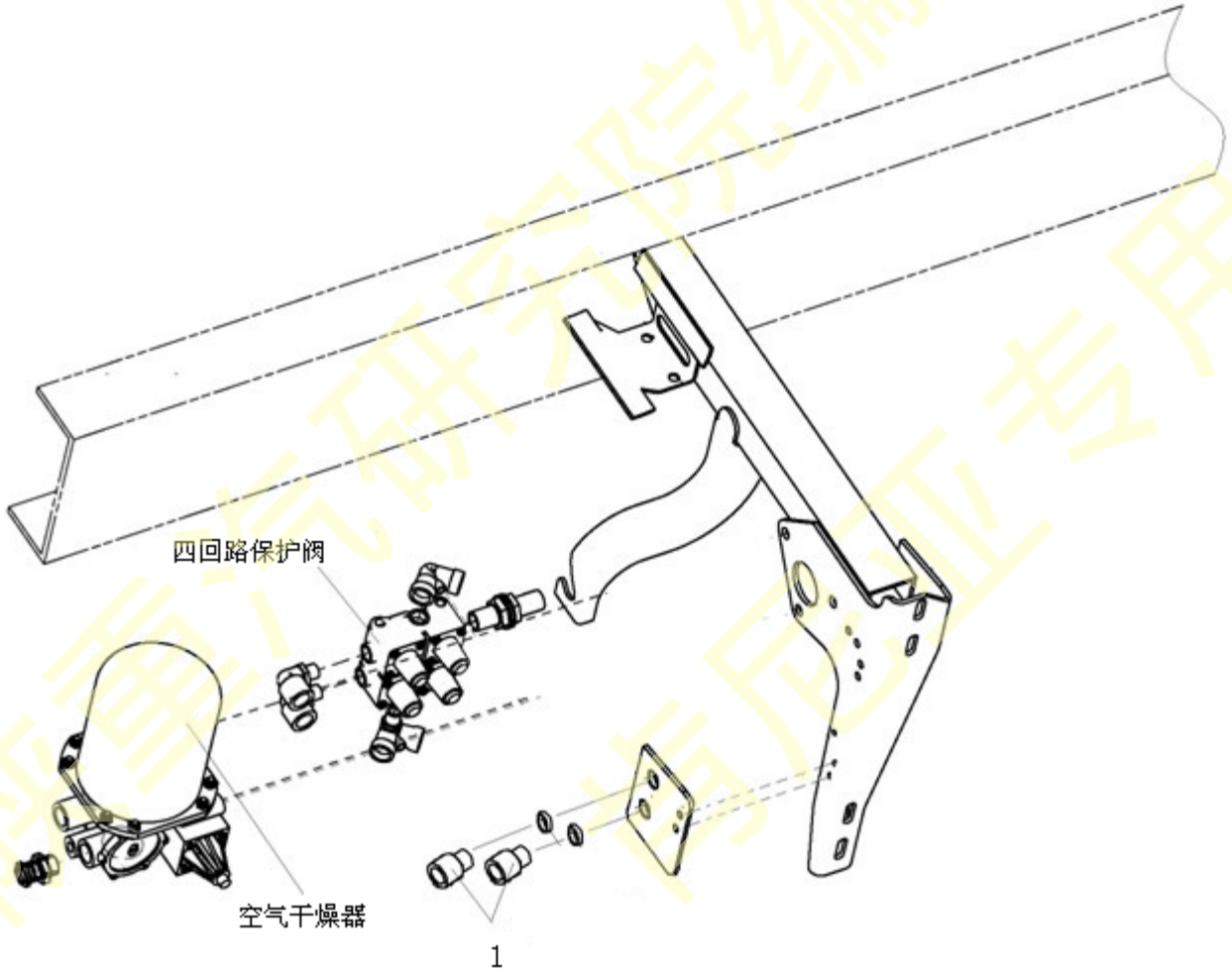
左、右前部分电线束 OOMS ON CAB OUTER



左、右前部分电线束 LOOMS ON CAB OUTER

| 序号 NO | 件号 Part.No | 名称 Designation | Name | 数量 Quantity | 适用车型 Suited type | 备注 Remark |
|----------|---------------|----------------------|--------------------|----------------|---------------------|--------------|
| 1 | DZ95189772411 | 左前部电线束(右置车) | Left front wiring | 1 | | |
| 2 | DZ93189772742 | 右前部分电线束(右置车/新型气压传感器) | Right front wiring | 1 | | |

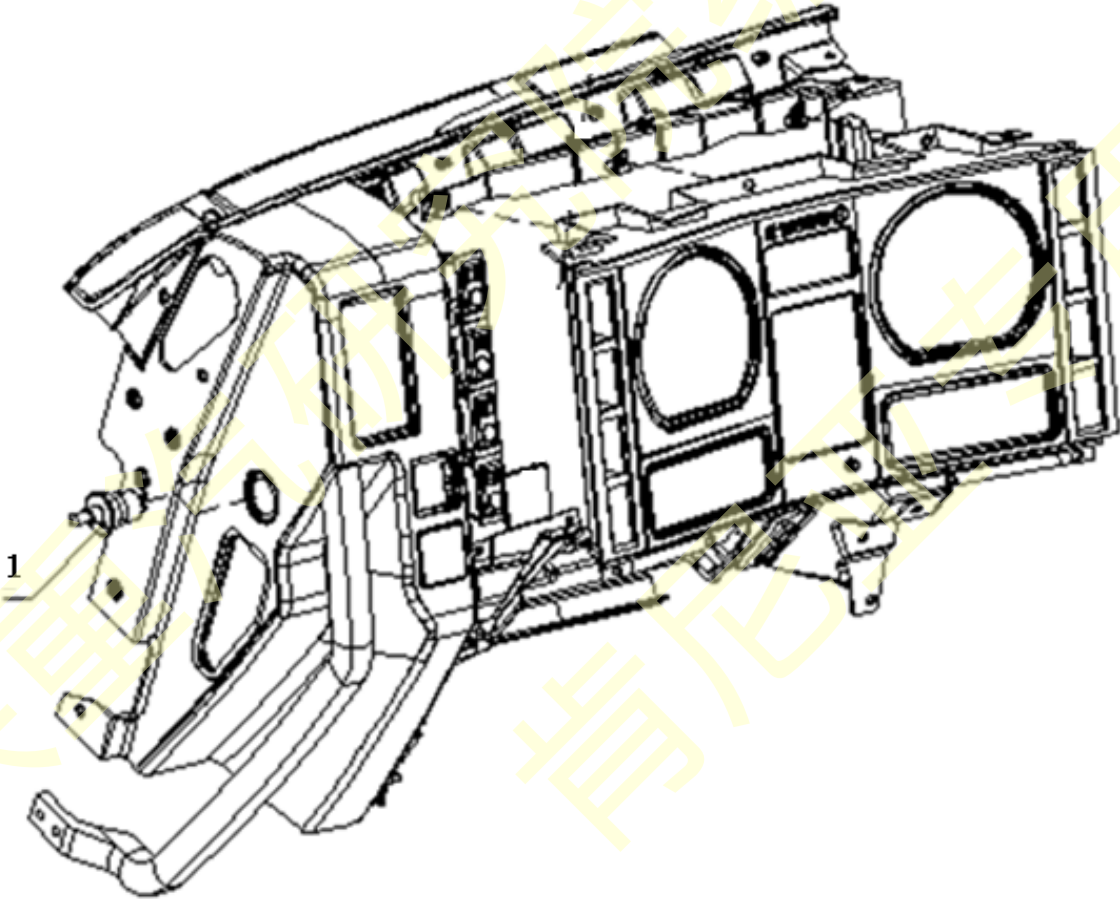
气压传感器



气压传感器

| 序号 NO | 件号 Part.No | 名称 Designation | Name | 数量 Quantity | 适用车型 Suited type | 备注 Remark |
|----------|---------------|-------------------|------------|----------------|---------------------|--------------|
| 1 | DZ97189711201 | 气压传感器 | variometer | 2 | | |

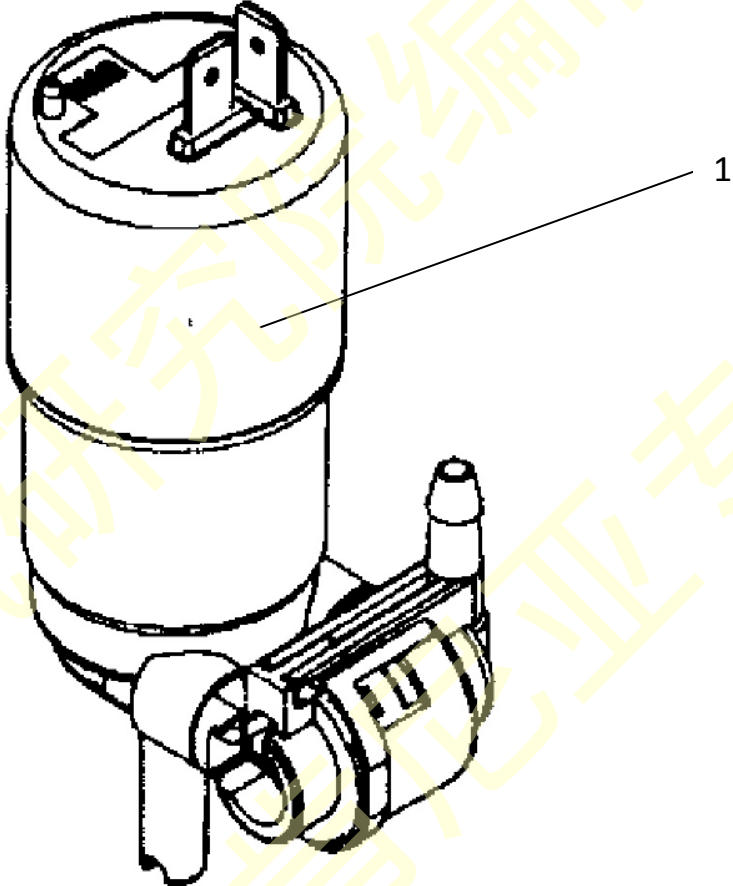
驾驶室室内电器 CAB INNER ELECTRONICAL DEVICE



驾驶室室内电器 CAB INNER ELECTRONICAL DEVICE

| 序号 NO | 件号 Part.No | 名称 Designation | Name | 数量 Quantity | 适用车型 Suited type | 备注 Remark |
|----------|---------------|-------------------|------------------|----------------|---------------------|--------------|
| 1 | 81.25505.0989 | 门灯开关 | Door lamp switch | 2 | | |

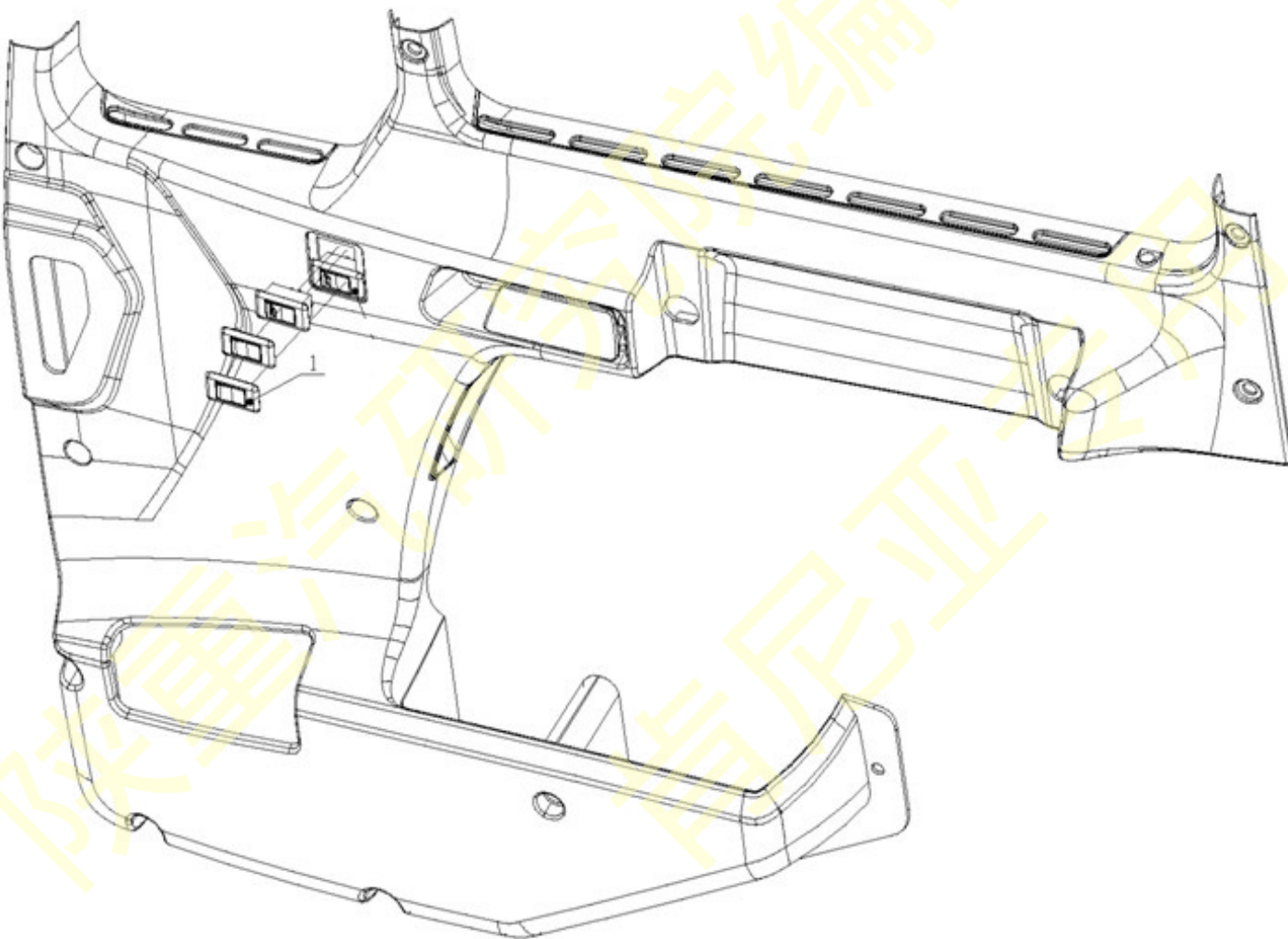
喷淋泵 PUMP



喷淋泵 PUMP

| 序号 NO | 件号 Part.No | 名称 Designation | Name | 数量 Quantity | 适用车型 Suited type | 备注 Remark |
|----------|---------------|-------------------|------|----------------|---------------------|--------------|
| 1 | 81.26485.6030 | 前风挡玻璃喷淋泵(24V) | Pump | 1 | | |

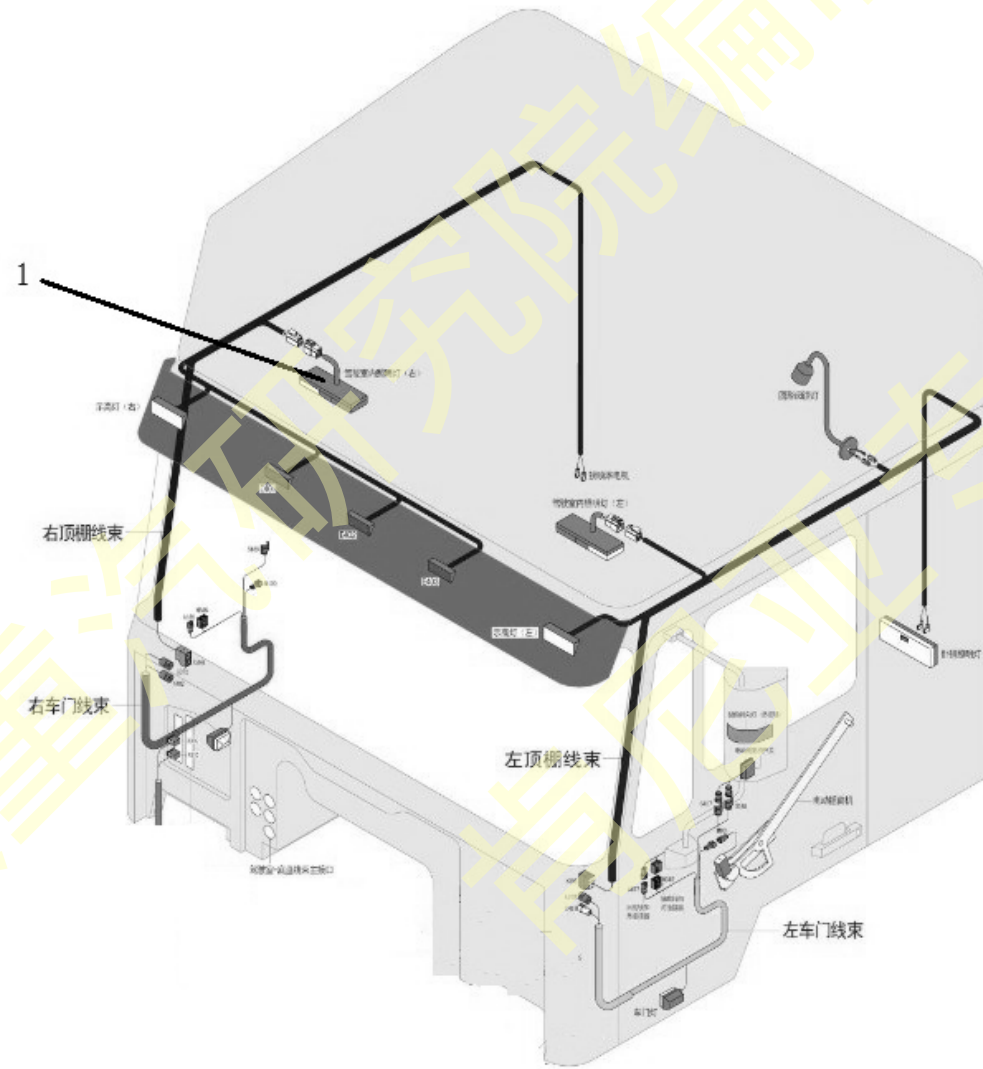
电动玻璃升降器开关堵盖 PLUG KEY FOR ELECTRIC WINDOW LIFTER SWITCH



电动玻璃升降器开关堵盖 PLUG KEY FOR ELECTRIC WINDOW LIFTER SWITCH

| 序号 NO | 件号 Part.No | 名称 Designation | Name | 数量 Quantity | 适用车型 Suited type | 备注 Remark |
|----------|---------------|-------------------|------|----------------|---------------------|--------------|
| 1 | DZ95189584661 | 玻璃升降器开关堵盖 | Plug | 4 | | |

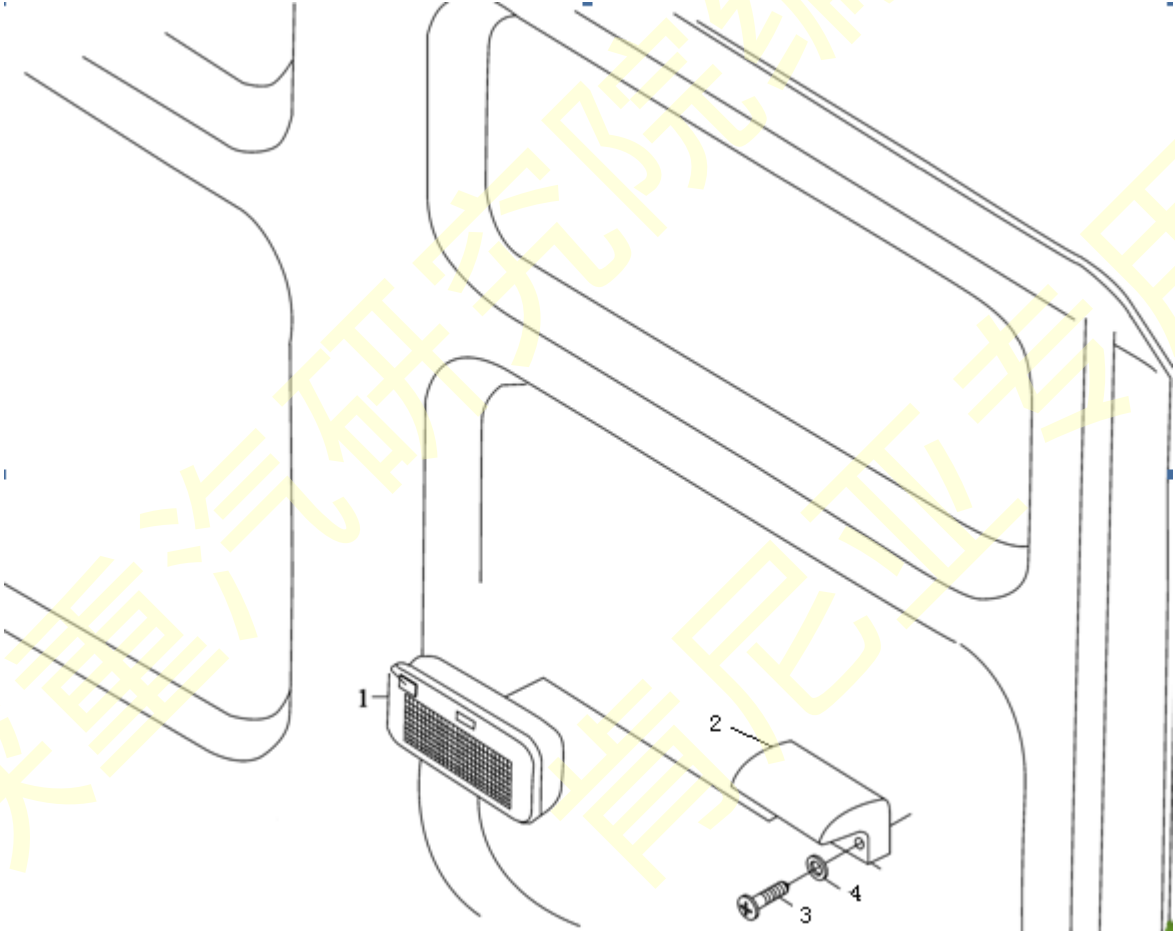
照明灯 FLOODLIGHT



照明灯 FLOODLIGHT

| 序号 NO | 件号 Part.No | 名称 Designation | Name | 数量 Quantity | 适用车型 Suited type | 备注 Remark |
|----------|---------------|-------------------|--------------------|----------------|---------------------|--------------|
| 1 | DZ93189721305 | 驾驶室内照明灯(LED、新内饰) | Flood light in cab | 2 | | |

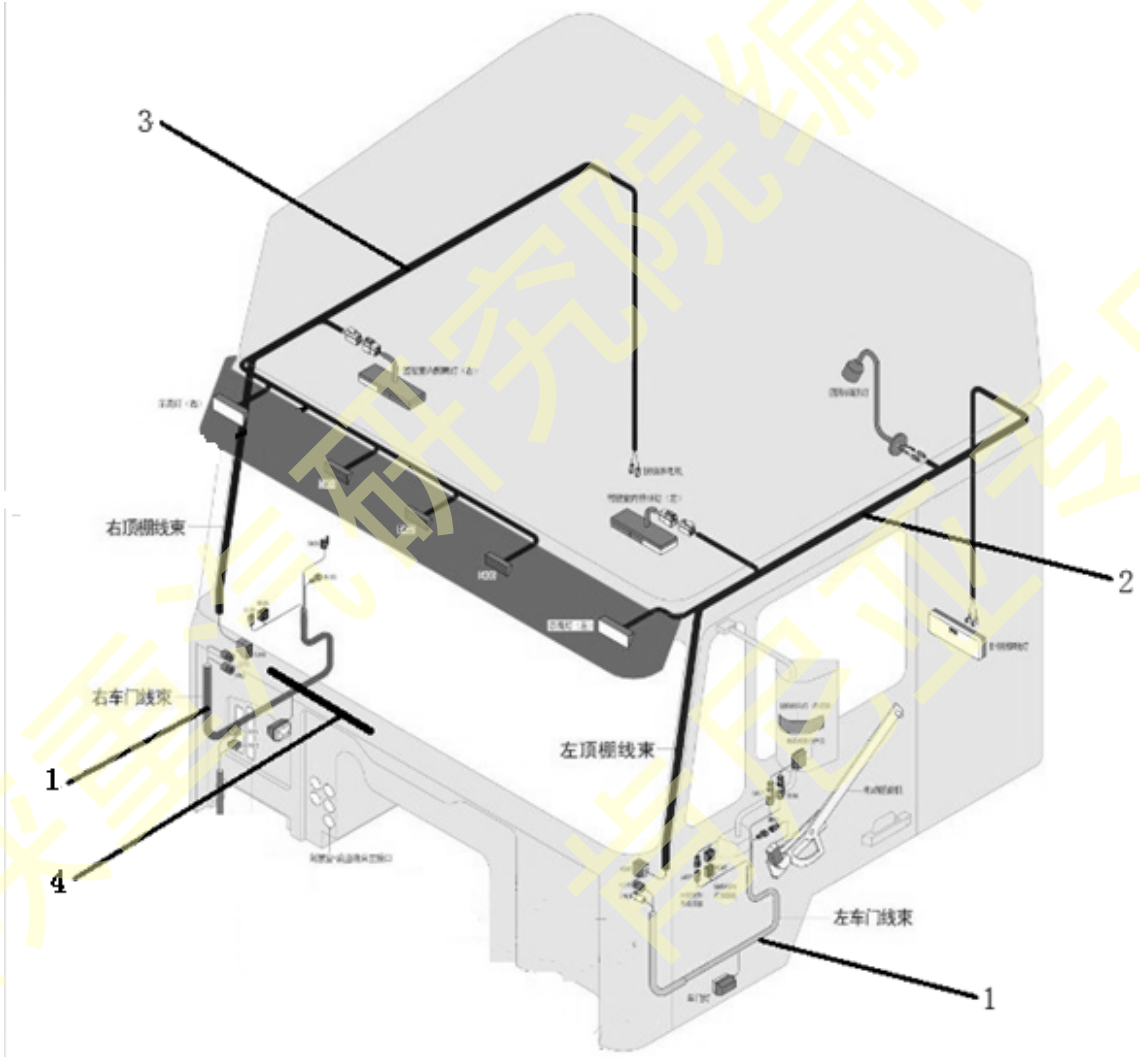
后围照明灯 FLOODLIGHT ON REAR PANNEL



后围照明灯 FLOODLIGHT ON REAR PANNEL

| 序号 NO | 件号 Part.No | 名称 Designation | Name | 数量 Quantity | 适用车型 Suited type | 备注 Remark |
|----------|---------------|------------------------|---------------------|----------------|---------------------|--------------|
| 1 | DZ93189721306 | 驾驶室后围照明灯 (LED,新 内饰) | Light on rear panel | 1 | | |
| 2 | DZ93189721307 | 驾驶室后围照明灯框架 | Bracket | 1 | | |
| 3 | Q2714232 | 十字槽盘头自攻螺钉 | Screw | 2 | | |
| 4 | 06.13189.0024 | 簧片螺母 | Reed nut | 2 | | ST3,9-1-A3C |

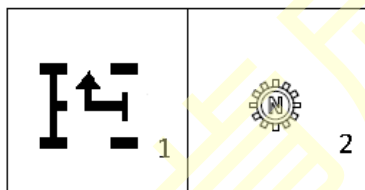
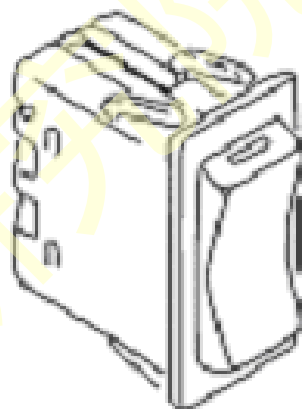
线束 WIRING



线束 WIRING

| 序号 NO | 件号 Part.No | 名称 Designation | Name | 数量 Quantity | 适用车型 Suited type | 备注 Remark |
|----------|---------------|-------------------|-------------------|----------------|---------------------|--------------|
| 1 | 81.25416.6776 | 左(右)车门踏步灯电线束 | Left door wiring | 2 | | |
| 2 | DZ93189772127 | 左顶蓬电线束(LED 灯具) | Left roof wiring | 1 | | |
| 3 | DZ93189772128 | 右顶蓬电线束(LED 灯具) | Right roof wiring | 1 | | |
| 4 | 81.25417.6443 | 雨刮电机电线束(右置车) | Wiper wiring | 1 | | |

取力器翘板开关 SWITCH



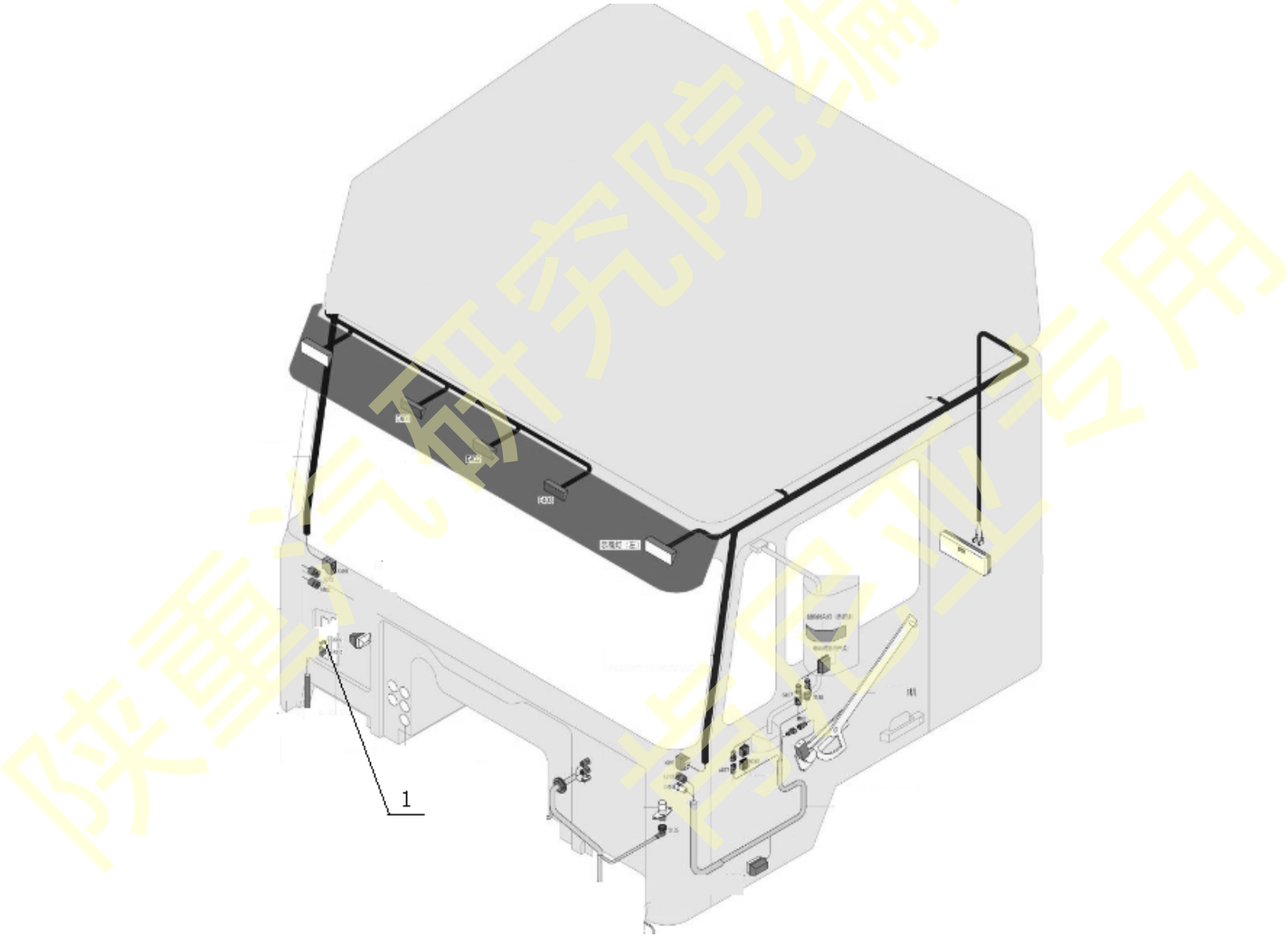
陕重汽研究院编制
陕重汽研究院专用



取力器翘板开关 SWITCH

| 序号 NO | 件号 Part.No | 名称 Designation | Name | 数量 Quantity | 适用车型 Suited type | 备注 Remark |
|----------|---------------|-------------------|------------------------------|----------------|---------------------|--------------|
| 1 | DZ9200581026 | 取力器工作选择翘板开关 | Power take off select switch | 1 | | |
| 2 | DZ9200581025 | 取力器翘板开关 | Power take off switch | 1 | | |

线束 WIRING



线束 WIRING

| 序号 NO | 件号 Part.No | 名称 Designation | Name | 数量 Quantity | 适用车型 Suited type | 备注 Remark |
|----------|---------------|-----------------------|------|----------------|---------------------|--------------|
| 1 | DZ93189776017 | 自卸车驾驶室附加线束(CAN 仪表) | | 1 | | |

翘板开关 SWITCH

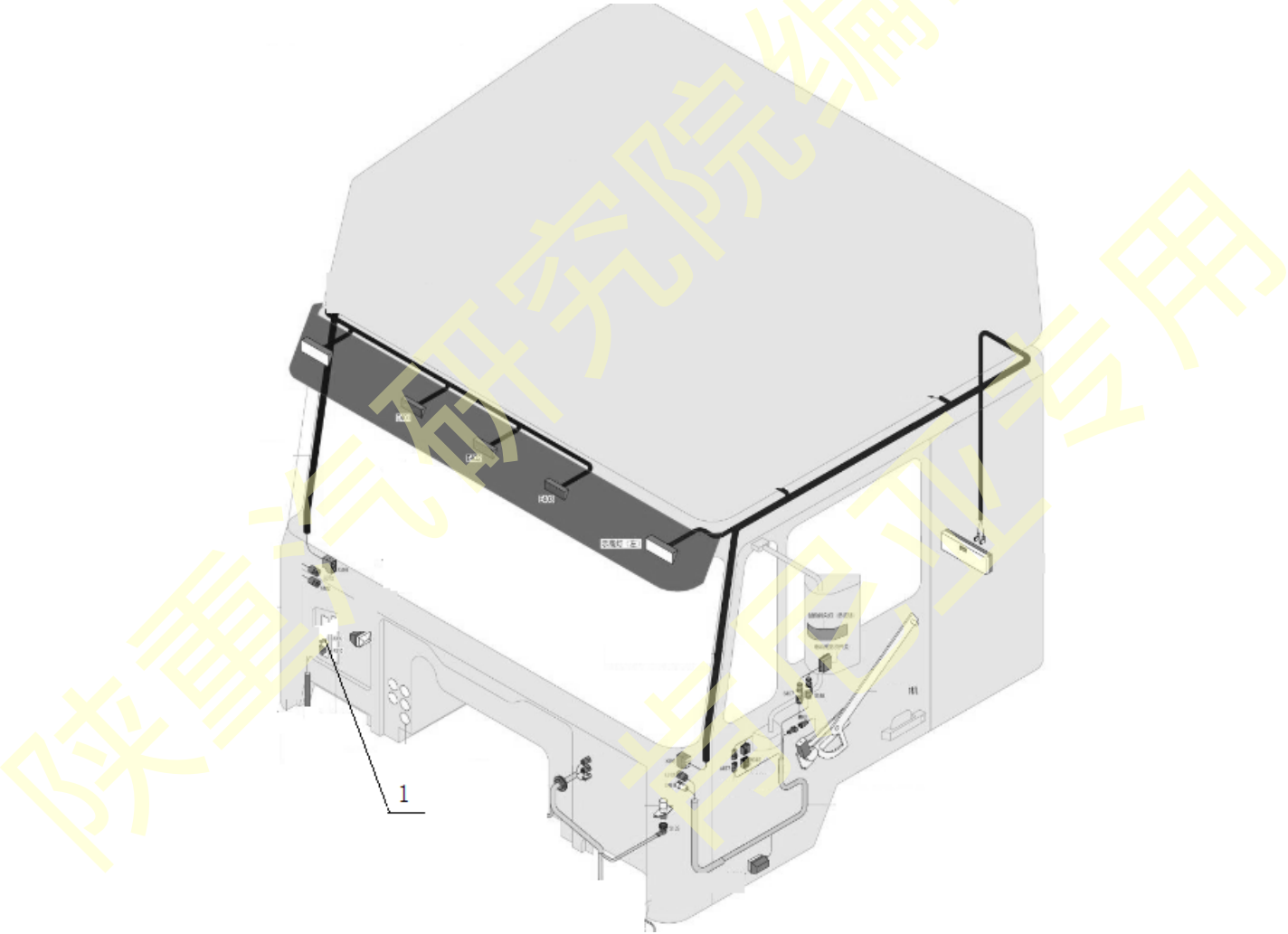


陕重汽研究院编制
肯尼亚专用

翘板开关 SWITCH

| 序号 NO | 件号 Part.No | 名称 Designation | Name | 数量 Quantity | 适用车型 Suited type | 备注 Remark |
|----------|---------------|-------------------|-------|----------------|---------------------|--------------|
| 1 | DZ9200581022 | 后工作灯翘板开关 | Swith | 1 | | |

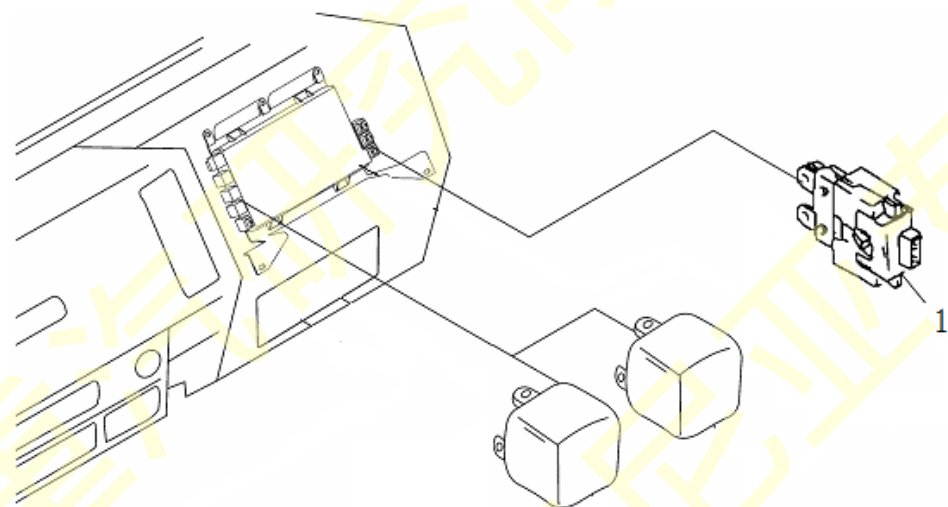
线束 WIRING



线束 WIRING

| 序号 NO | 件号 Part.No | 名称 Designation | Name | 数量 Quantity | 适用车型 Suited type | 备注 Remark |
|----------|---------------|-------------------|--------|----------------|---------------------|--------------|
| 1 | DZ93189773412 | 工作照明灯驾驶室电线束 | Wiring | 1 | | |

熔断丝 FUSE



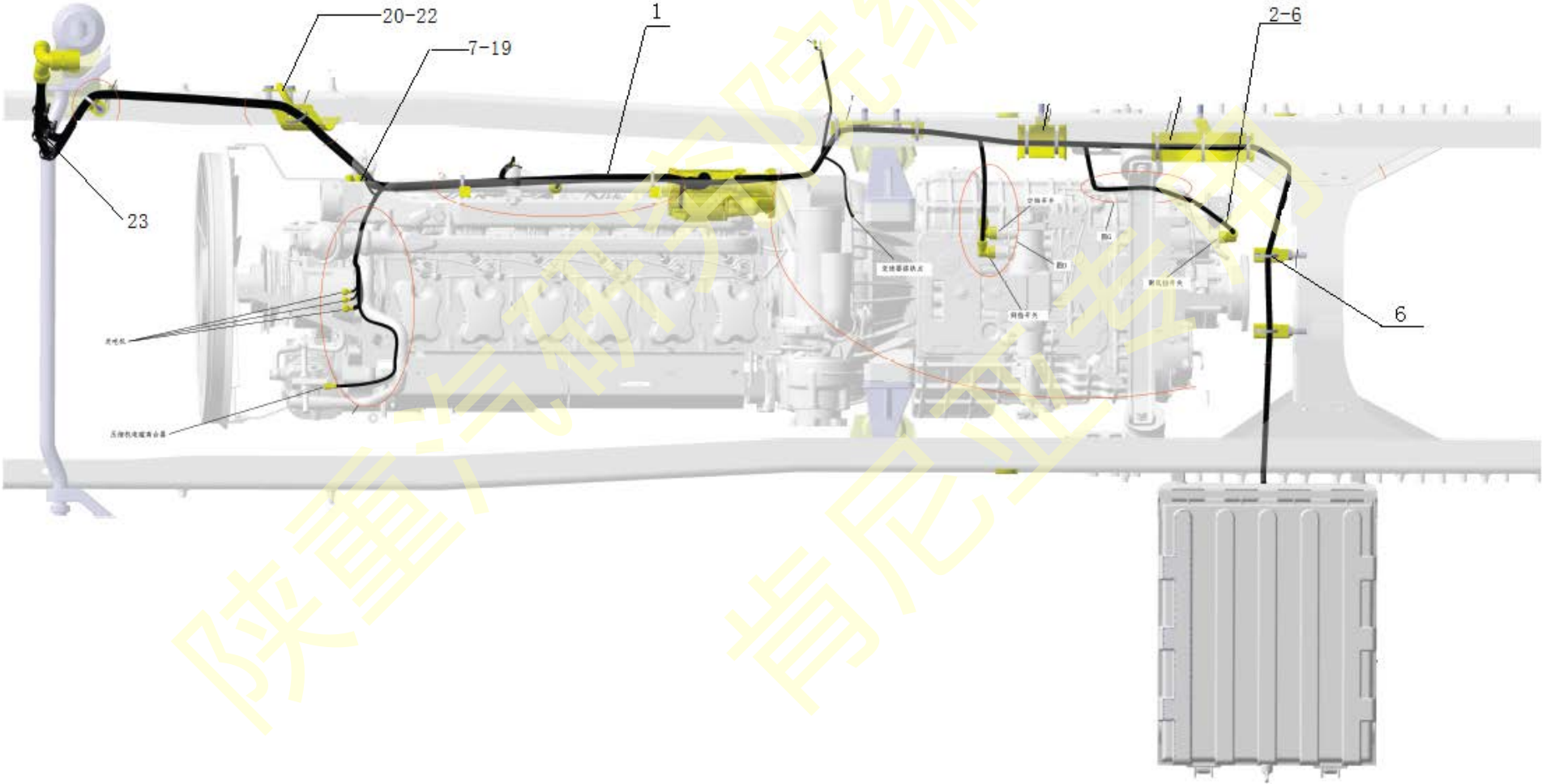
陕重机研究院编制
重机研究院专用

熔断丝 FUSE

| 序号 NO | 件号 Part.No | 名称 Designation | Name | 数量 Quantity | 适用车型 Suited type | 备注 Remark |
|----------|---------------|----------------------|------|----------------|---------------------|--------------|
| 1 | DZ93189584403 | 保险丝(ETA: 1616-21-10) | Fuse | 1 | | |

底盘电器 Chassis room appliances

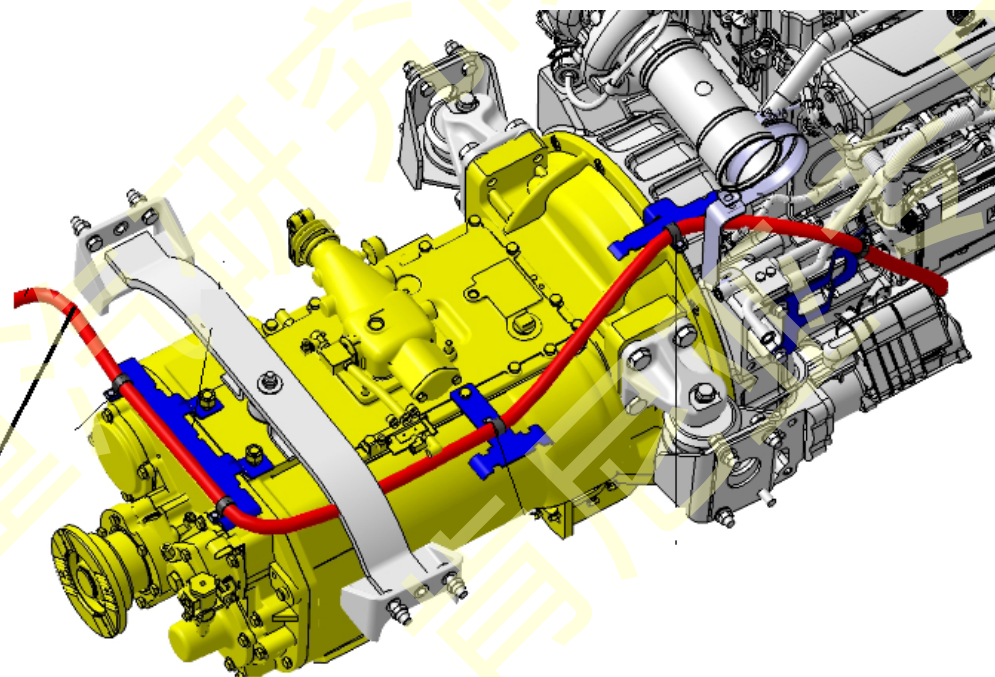
底盘电器/WPE32/F2000/4*2/6*4



底盘电器/WPE32/F2000/4*2/6*4

| 序号 NO | 件号 Part.No | 名称 Designation | Name | 数量 Quantity | 适用 车型 Suited | 备注 Remark |
|----------|---------------|--|----------------|----------------|--------------------|--------------|
| 1 | DZ93189774093 | 底盘线束(二)(4*2/6*4 自卸车/发动机, 变速箱) | Chasis harness | 1 | | |
| 2 | DZ95189774060 | 车速传感器电缆线/新(4300) | Vss harness | 1 | | |
| 3 | 190003179030 | 护垫 | Pad | 0.15 米 | | |
| 4 | 121300050086 | 铅封 | Seal | 2 | | |
| 5 | 190000810930 | 铅封线 | Seal harness | 0.04 米 | | |
| 6 | Q41212 | 外锯齿锁紧垫圈 | Washer | 1 | | |
| 7 | DZ93189777224 | 发动机线束支架(WP10) | Bracket | 1 | | |
| 8 | Q150B0825TF3 | 六角头螺栓 | Hex bolt | 1 | | |
| 9 | Q401B08 | 平垫圈(镀锌) | Washer | 1 | | |
| 10 | Q40308 | 弹簧垫圈 | Washer | 1 | | |
| 11 | Q340B08T2F3 | 1型六角螺母 | Nut | 1 | | |
| 12 | DZ9100770423 | 固定卡箍 | Clamp | 1 | | |
| 13 | Q150B0616 | 六角头螺栓(镀锌) | Hex bolt | 1 | | |
| 14 | Q401B06 | 平垫圈(镀锌) | Washer | 1 | | |
| 15 | Q40306 | 弹簧垫圈 | Washer | 1 | | |
| 16 | Q340B06 | 1型六角螺母(镀锌) | Nut | 1 | | |
| 17 | DZ93189777031 | 带固定座紧固带(孔径 9.5-10.0mm) | Fastening belt | 2 | | |
| 18 | DZ93189777033 | 带隔环紧固带(7.6*375) | Fastening belt | 4 | | |
| 19 | 190003171356 | 塑料紧固带-A5×280 N05199 | Fastening belt | 1 | | |
| 20 | SZ979000907 | 支架 | Bracket | 1 | | |
| 21 | Q1811430TF3 | 六角法兰面承面带齿螺栓 | Hex bolt | 1 | | |
| 22 | 06.11251.2005 | 六角螺母 M7. 112. 40 M14*1.5-10-MAN183B1 带法兰 | Nut | 1 | | |
| 23 | DZ97189777058 | 防护垫(250*140) | Washer | 1 | | |

底盘电器/WPE32/F2000/4*2/6*4

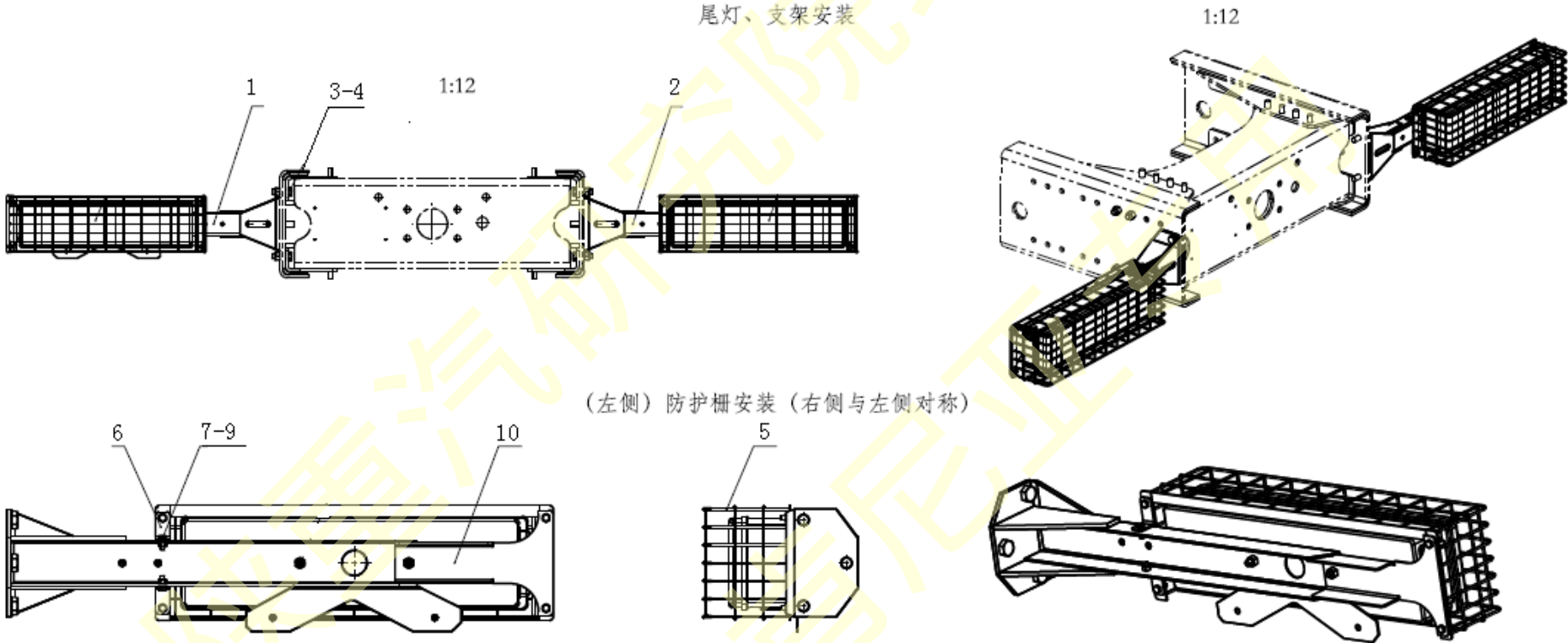


1

底盘电器/WPE32/F2000/4*2/6*4

| 序号 NO | 件号 Part.No | 名称 Designation | Name | 数量 Quantity | 适用车型 Suited type | 备注 Remark |
|----------|---------------|----------------------|----------------|----------------|---------------------|--------------|
| 1 | DZ9100776001 | 起动机电线束(WP10、4*2/6*4) | Starter hamess | 1 | | |

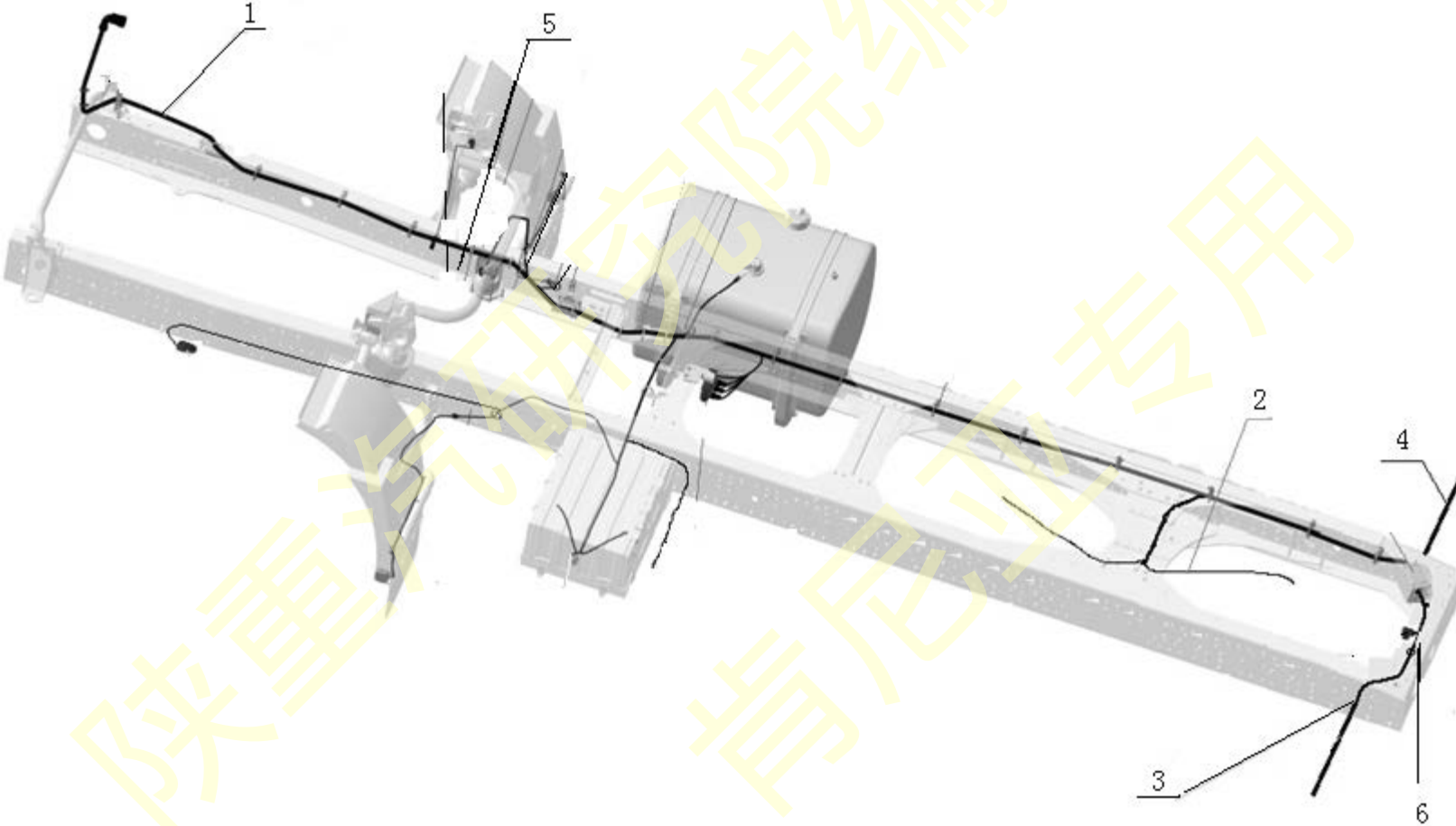
尾灯支架/通用/F3000/尾灯防护



尾灯支架/通用/F3000/尾灯防护

| 序号 NO | 件号 Part.No | 名称 Designation | Name | 数量 Quantity | 适用车型 Suited type | 备注 Remark |
|----------|---------------|-------------------|--|----------------|---------------------|--------------|
| 1 | DZ9100940210 | MAN 底盘左尾灯支架总成 | MAN chassis left taillight bracket assembly | 1 | | |
| 2 | DZ9100940220 | MAN 底盘右尾灯支架总成 | MAN chassis right taillight bracket assembly | 1 | | |
| 3 | Q151B1450T1F3 | 六角头螺栓-细牙 | Hexagon head bolt-fine teeth | 6 | | |
| 4 | 190003888454 | 自锁螺母 | Self-locking nut | 6 | | |
| 5 | SZ981000766 | 尾灯防护栅总成 | Tail light guard grid assembly | 2 | | |
| 6 | SZ981000774 | 支架(二) | Support (II) | 4 | | |
| 7 | Q150B0616 | 六角头螺栓 | Hexagon headed bolt | 12 | | |
| 8 | Q40106 | 平垫圈 | Flat washer | 12 | | |
| 9 | Q33206 | 2 型全金属六角锁紧螺母 | Type 2 all metal hexagonal locking nut | 4 | | |
| 10 | SZ981000773 | 支架(一) | Support (I) | 2 | | |

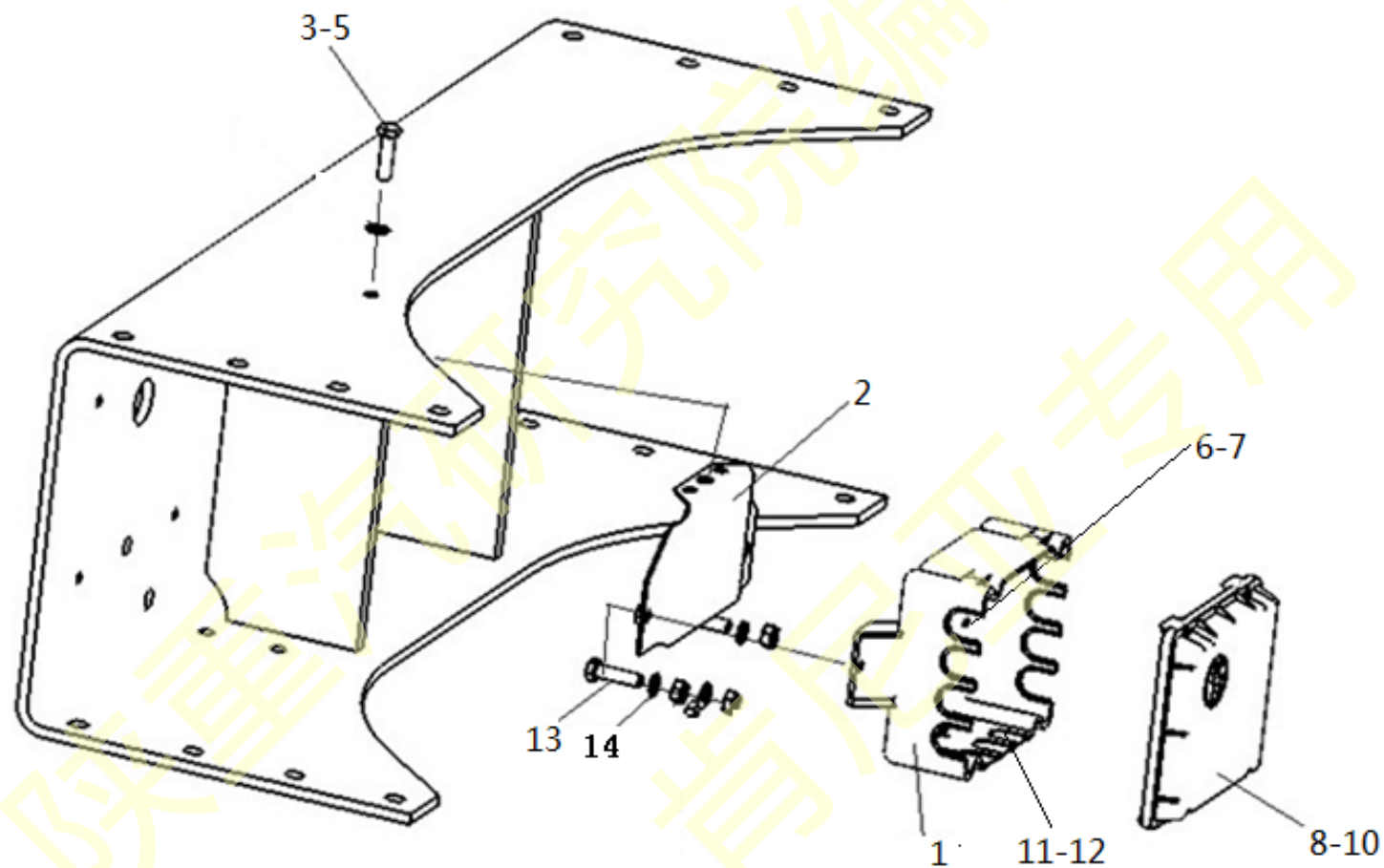
底盘电器/非牵引车/F2000/WP/6×4/3800/850/CAN 仪表



底盘电器/非牵引车/F2000/WP/6×4/3800/850/CAN 仪表

| 序号 NO | 件号 Part.No | 名称 Designation | Name | 数量 Quantity | 适用车型 Suited type | 备注 Remark |
|----------|---------------|-----------------------|-----------------------------|----------------|---------------------|--------------|
| 1 | DZ93259774113 | 底盘线束(一)(K38、6×4、WP系列) | Chasis harness | 1 | | |
| 2 | DZ93189776642 | 轮轴差线束 | lock harness | 1 | | |
| | DZ9100360276 | 穿线护套 | Sheath | 0.001 米 | | |
| | Q40110 | 平垫圈 | Washer | 2 | | |
| 3 | DZ9100773130 | 左组合后灯电线 | Left Combination taillight | 1 | | |
| 4 | DZ9100773120 | 右组合后灯电线 | Right Combination taillight | 1 | | |
| | DZ9100360276 | 穿线护套 | Sheath | 2 | | |
| 5 | DZ93189776061 | 驾驶室锁止信号开关电线束 | Cab lock harness | 1 | | |
| 6 | DZ93189777033 | 带隔环紧固带(7.6*375) | Plastic Belt | 2 | | |
| | 199100360134 | 隔环 | Spacer ring | 1 | | |
| | 190003171390 | 塑料紧固带 | Plastic Belt | 2 | | |
| | 190003171697 | 塑料紧箍带 | Plastic Belt | 0.06 米 | | |
| | 190003171715 | 塑料紧固带 | Plastic Belt | 12 | | |
| | 190003179030 | 护垫 | Pad | 0.15 米 | | |
| | Q340B08T2F3 | 1型六角螺母 | Nut | 3 | | |
| | 190003171393 | 塑料紧固带-BA8×200 N05199 | Plastic Belt | 20 | | |
| | DZ97189361000 | 塑料紧固带(-50℃-105℃) | Plastic Belt | 30 | | |
| | 190003171697 | 塑料紧固带-A5×180 N05199 | Plastic Belt | 0.22 米 | | |
| | Q40108 | 平垫圈(镀锌) | Washer | 20 | | |

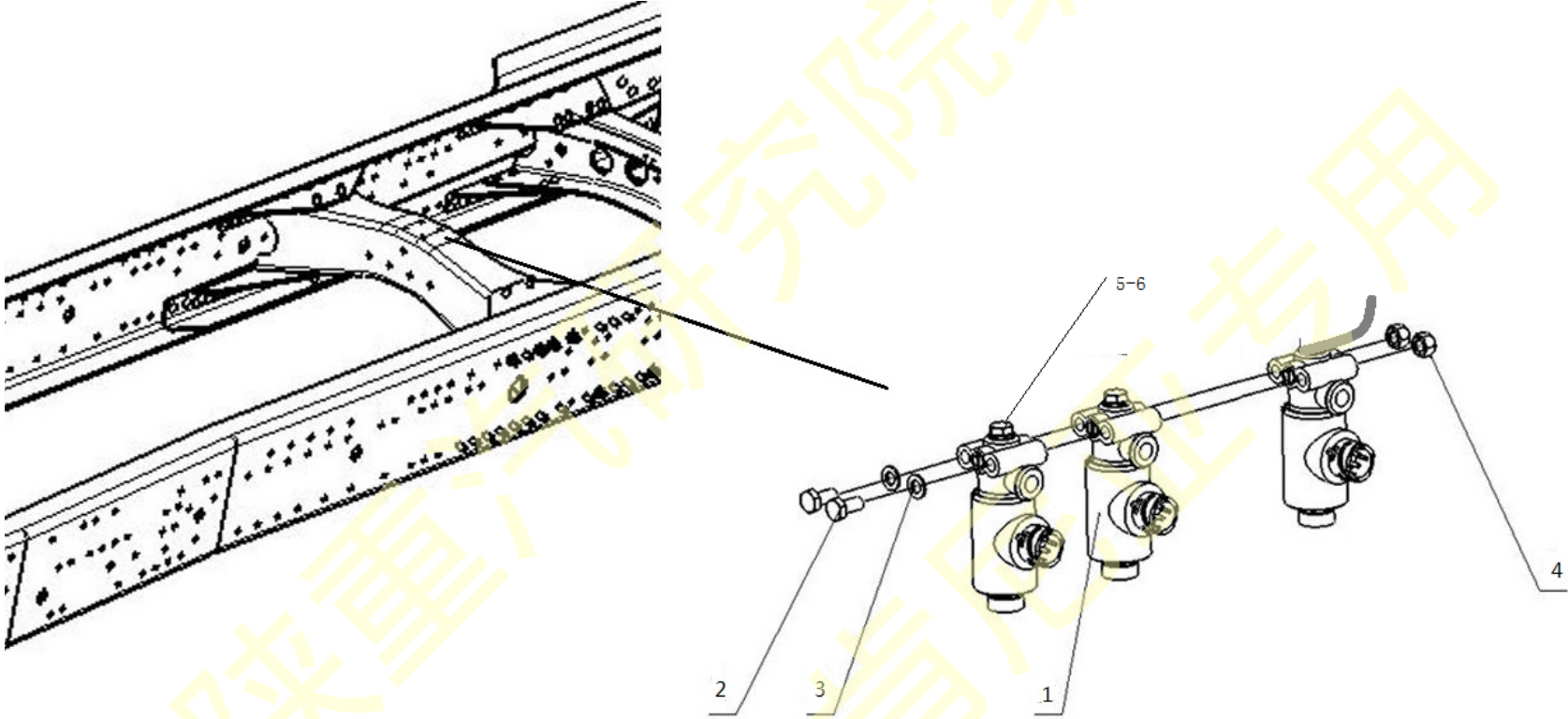
底盘电器/非牵引车/F2000/WP/6×4/3800/850/CAN 仪表



底盘电器/非牵引车/F2000/WP/6×4/3800/850/CAN 仪表

| 序号 NO | 件号 Part.No | 名称 Designation | Name | 数量 Quantity | 适用车型 Suited type | 备注 Remark |
|----------|---------------|-------------------|------------------|----------------|---------------------|--------------|
| 1 | DZ91189777021 | 分线箱体 | Junction box | 1 | | |
| 2 | DZ9100770393 | 分线盒支架总成 | Bracket | 1 | | |
| 3 | Q150B0830T1F3 | 六角头螺栓 | Hex bolt | 3 | | |
| 4 | Q41208 | 外锯齿锁紧垫圈 | Washer | 3 | | |
| 5 | Q40308 | 弹簧垫圈 | Washer | 3 | | |
| 6 | 179100770391 | 配电盒 | Distribution box | 1 | | |
| 7 | Q2712965 | 十字槽盘头自攻螺钉 | Screw | 3 | | |
| | Q41208 | 外锯齿锁紧垫圈 | Washer | 1 | | |
| 8 | 190003179811 | 聚氯乙烯软管 | Hose | 0.01 米 | | |
| 9 | 179100770394 | 分线盒盖 | Lid | 1 | | |
| 10 | DZ9100770079 | 圆形密封条 | Sealing strip | 1 | | |
| 11 | 179100770395 | 电线护套 | Sheath | 3 | | |
| 12 | Q2713525 | 十字槽盘头自攻螺钉 | Screw | 4 | | |
| 13 | Q150B0630Q | 六角头螺栓 | Hex bolt | 2 | | |
| 14 | Q40108 | 平垫圈 | Washer | 2 | | |

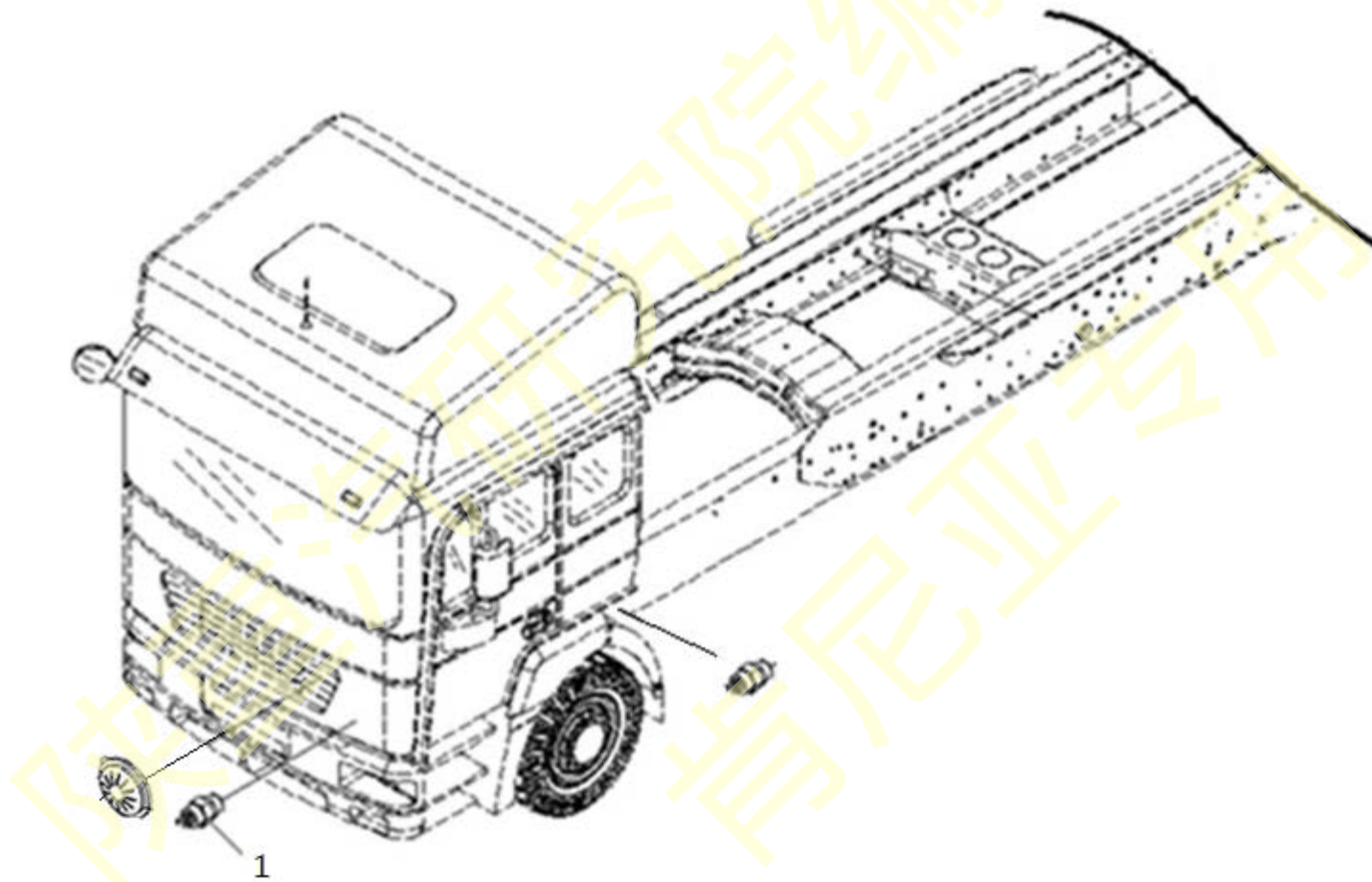
底盘电器/非牵引车/F2000/WP/6×4/3800/850/CAN 仪表



底盘电器/非牵引车/F2000/WP/6×4/3800/850/CAN 仪表

| 序号 NO | 件号 Part.No | 名称 Designation | Name | 数量 Quantity | 适用车型 Suited type | 备注 Remark |
|----------|---------------|-------------------|----------------|----------------|---------------------|--------------|
| 1 | 81.52160.6115 | 电磁阀 | Solenoid valve | 3 | | |
| 2 | Q150B08160 | 六角头螺栓 | Hex bolt | 2 | | |
| 3 | Q40008 | 小垫圈 | Washer | 2 | | |
| 4 | Q33208T2F3 | 2 型全金属六角锁紧螺母 | Nut | 2 | | |
| 5 | 190003962019 | 六角头螺塞 | Hex bolt | 2 | | |
| 6 | Q72312T5F | 密封垫圈 | Washer | 3 | | |

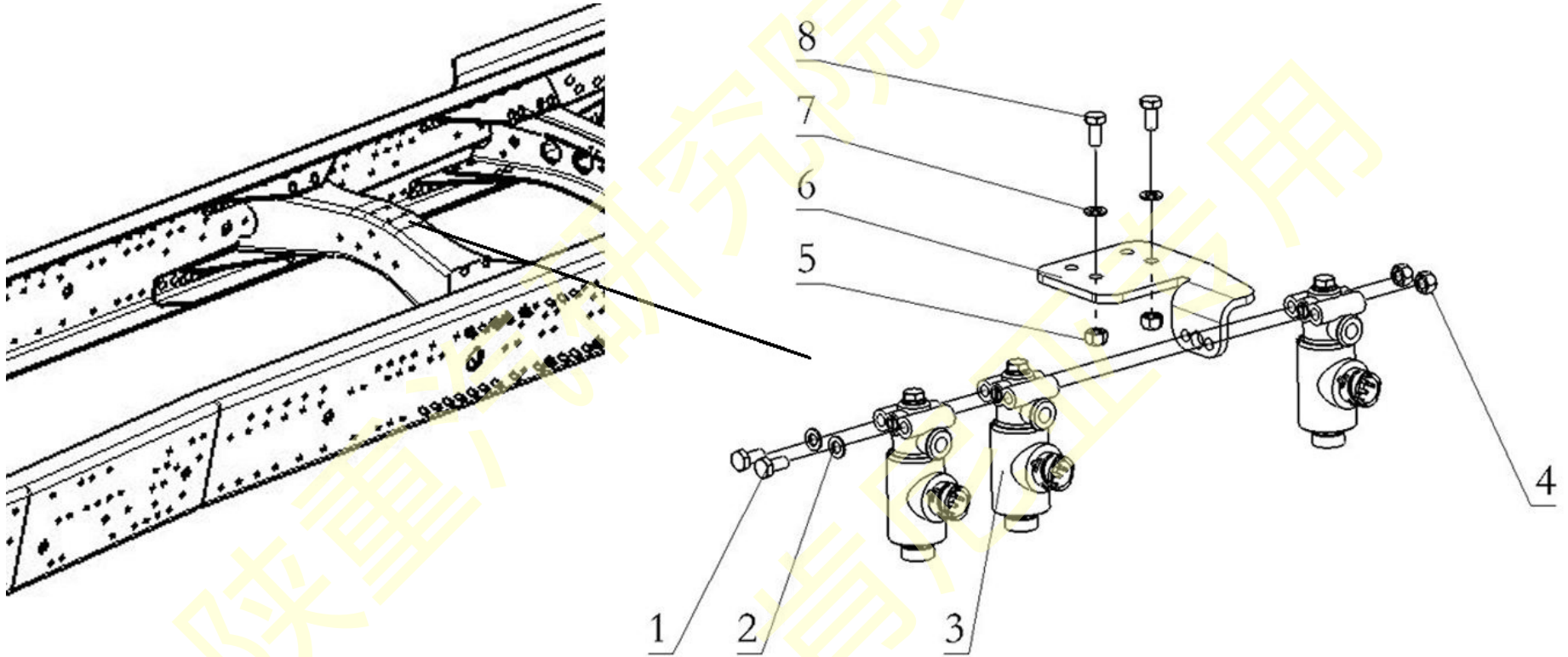
底盘电器/非牵引车/F2000/WP/6×4/3800/850/CAN 仪表



底盘电器/非牵引车/F2000/WP/6×4/3800/850/CAN 仪表

| 序号 NO | 件号 Part.No | 名称 Designation | Name | 数量 Quantity | 适用车型 Suited type | 备注 Remark |
|----------|---------------|-------------------|------------------------|----------------|---------------------|--------------|
| 1 | 179100710004 | 气压信号灯开关 | Pressure signal switch | 1 | | |

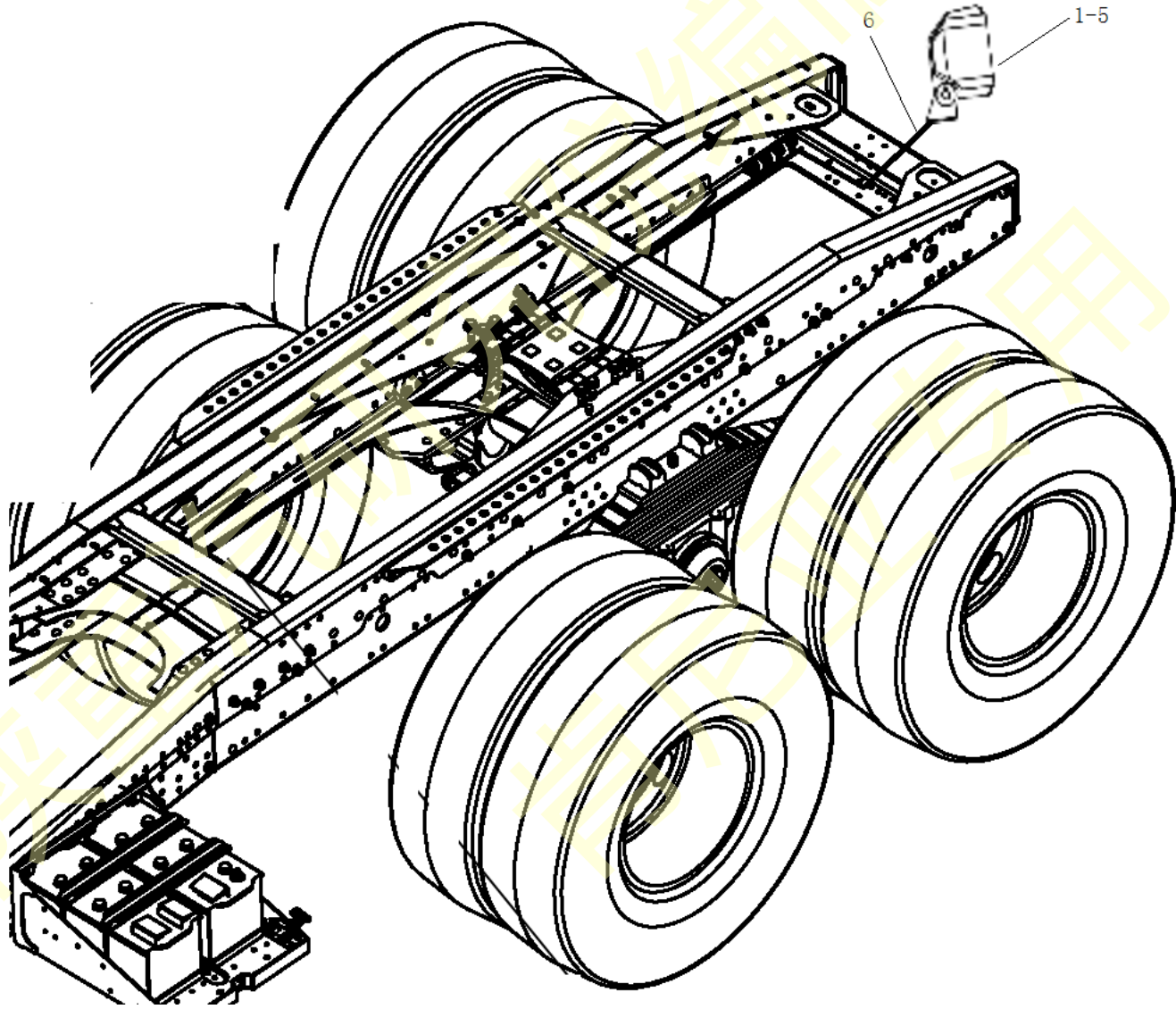
底盘电器/附件/电磁阀



底盘电器/附件/电磁阀

| 序号 | 件号 Part.No | 名称 Designation | Name | 数量 Quantity | 适用车型 Suited | 备注 Remark |
|----|---------------|-------------------|---------------|----------------|----------------|--------------|
| 1 | DZ91189719001 | 六角头螺栓(M8*260) | Hex bolt | 按需 | | |
| | DZ95189711102 | 六角头螺栓 (M8×210) | Hex bolt | 按需 | | |
| | Q150B08160 | 六角头螺栓 | Hex bolt | 按需 | | |
| 2 | Q40008 | 小垫圈 | Small washer | 按需 | | |
| 3 | 81.52160.6115 | 电磁阀 | Valve | 按需 | | |
| | DZ9100716009 | 电磁阀 (常通型) | Valve | 按需 | | |
| 4 | Q33208 | 2 型全金属六角锁紧螺母 | Hex nut | 按需 | | |
| 5 | Q33208 | 2 型全金属六角锁紧螺母 | Hex nut | 按需 | | |
| 6 | DZ93189711111 | 电磁阀支架 | Valve Bracket | 按需 | | |
| 7 | Q40008 | 小垫圈 | Small washer | 按需 | | |
| 8 | Q150B0810 | 六角头螺栓 | Hex bolt | 按需 | | |

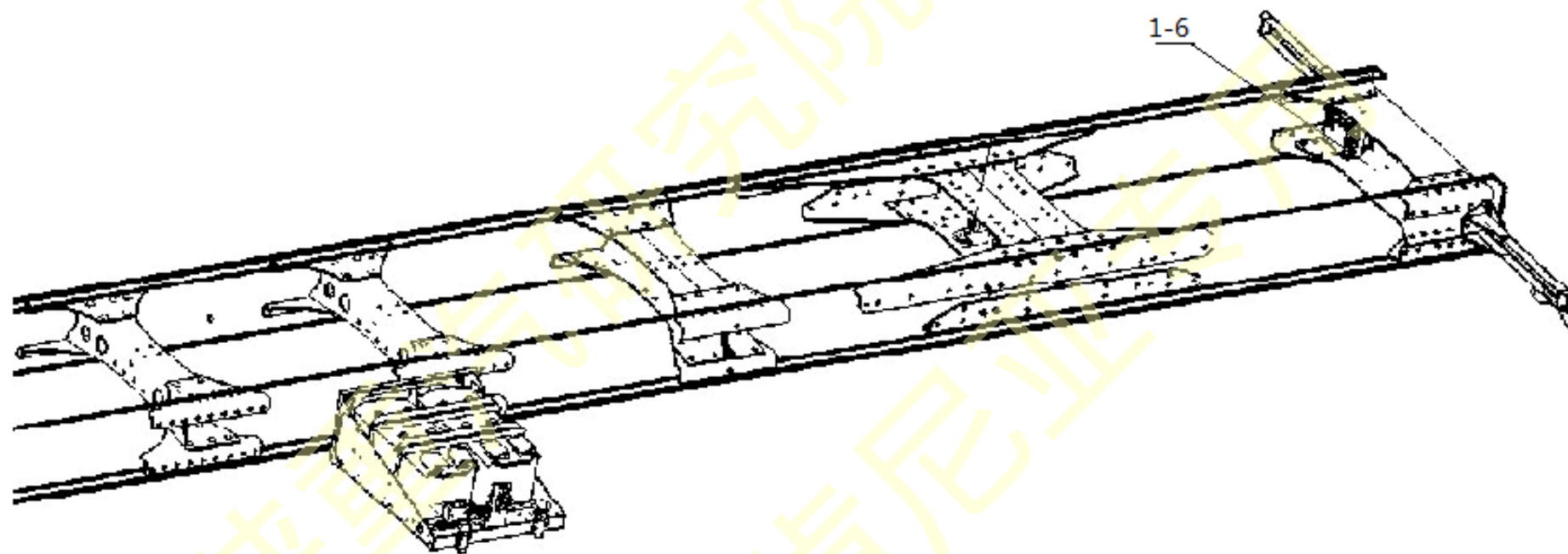
底盘电器/附加/右置/工作灯(尾梁)/1000cm



底盘电器/附加/右置/工作灯(尾梁)/1000cm

| 序号 | 件号 Part.No | 名称 Designation | Name | 数量 Quantity | 适用车型 Suited type | 备注 Remark |
|----|---------------|----------------------|--|----------------|---------------------|--------------|
| 1 | DZ9100726610 | 工作灯总成 | Working lamp asembly | 1 | | |
| 2 | Q150B1055T1F3 | 六角头螺栓 | Hexagon headed bolt | 1 | | |
| 3 | Q40110 | 平垫圈 | Flat washer | 1 | | |
| 4 | Q40310 | 弹簧垫圈 | Spring washer | 1 | | |
| 5 | Q340B10T2F3 | 1型六角螺母 | Type 1 hexagonal nut | 1 | | |
| 6 | DZ93189777907 | 工作照明灯底盘线束(1000cm,右置) | Working lamp chassis wire harness(1000cm, right) | 1 | | |

底盘电器/附加/倒车蜂鸣器

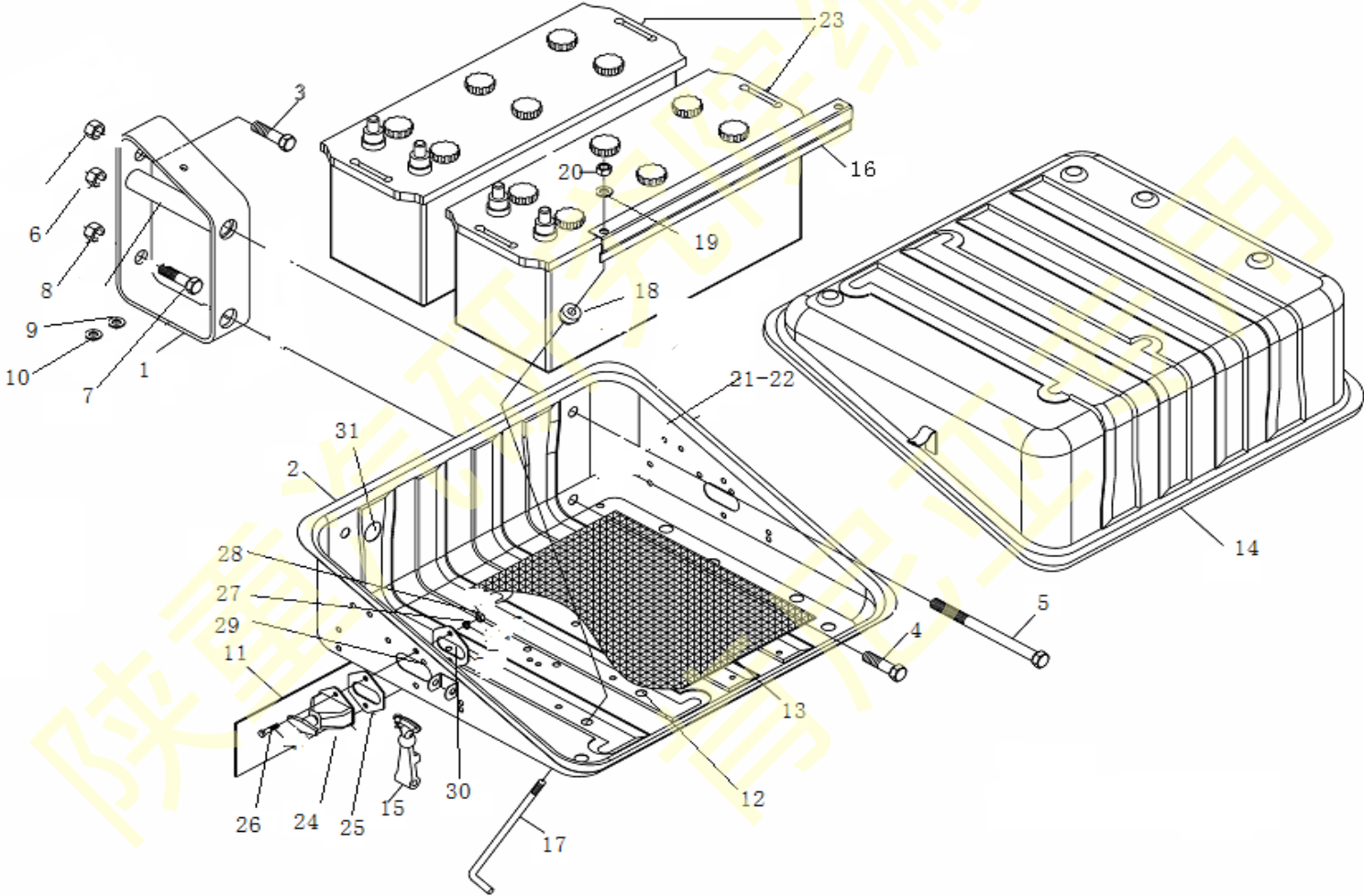


底盘电器/附加/倒车蜂鸣器

| 序号 NO | 件号 Part.No | 名称 Designation | Name | 数量 Quantity | 适用车型 Suited type | 备注 Remar |
|----------|---------------|-------------------|------------------------------|----------------|---------------------|-------------|
| 1 | DZ9100770073 | 倒车蜂鸣器电线束 | Reversing buzzer wire bundle | 1 | | |
| 2 | DZ9100580050 | 倒车蜂鸣器 | Reversing buzzer | 1 | | |
| 3 | Q150B0625 | 六角头螺栓 | Hexagon headed bolt | 1 | | |
| 4 | Q40106 | 平垫圈 | Flat washer | 1 | | |
| 5 | Q340B06 | 1 型六角螺母 | Type 1 hexagonal nut | 1 | | |
| 6 | Q40306 | 弹簧垫圈 | Spring washer | 1 | | |

蓄电池 battery

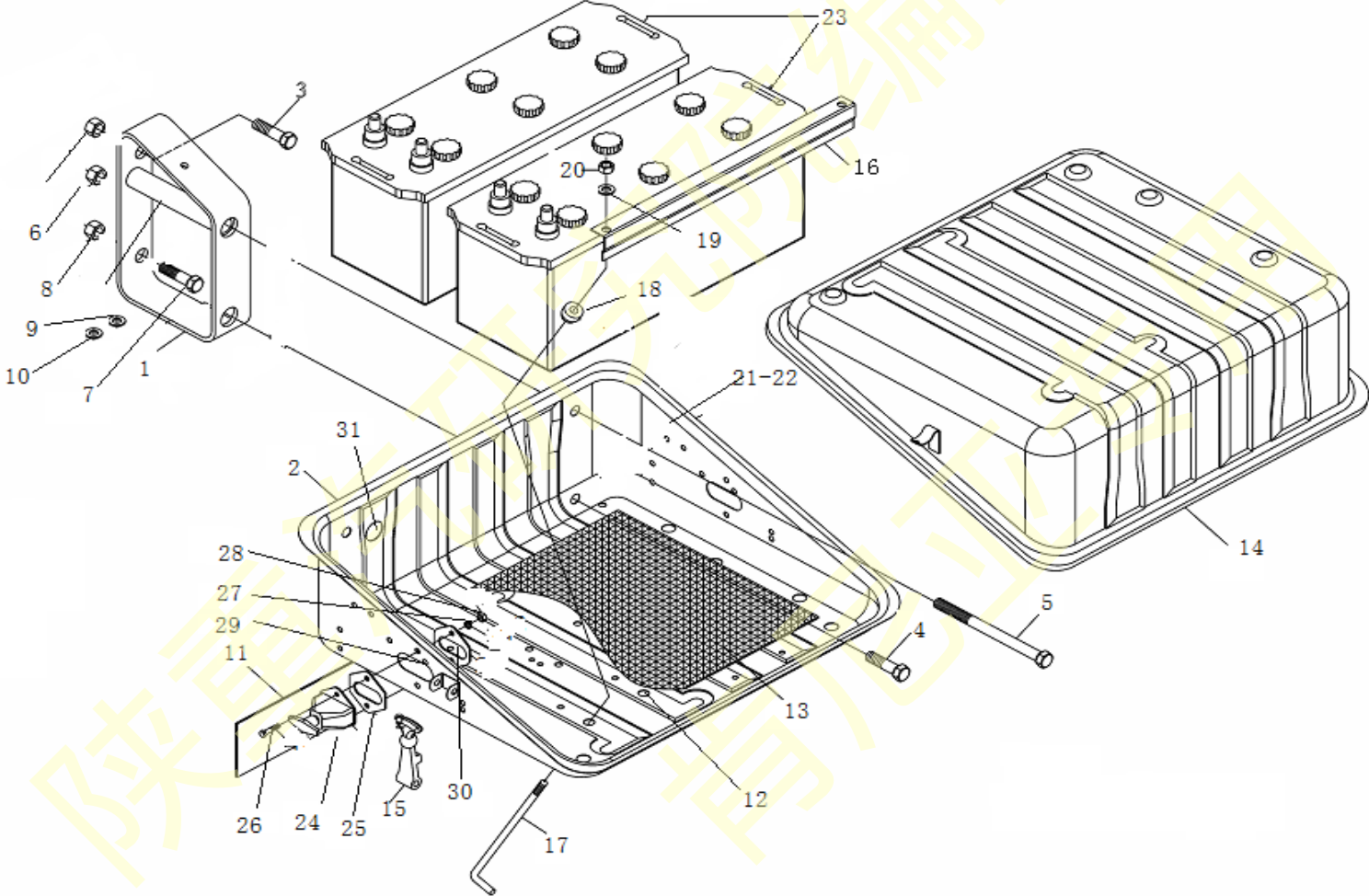
BATTERY BOX 蓄电池箱



蓄电池箱 BATTERY BOX

| 序号 NO | 件号 Part.No | 名称 Designation | Name | 数量 Quantity | 适用车型 Suited type | 备注 Remark |
|----------|---------------|-------------------|-----------------------|----------------|---------------------|--------------|
| 1 | DZ91189762020 | 蓄电池支架总成 | Bracket assembly | 2 | | |
| 2 | DZ93189760231 | 加强的蓄电池箱体总成 | Battery case assembly | 1 | | |
| 3 | Q151B1645T1F3 | 六角头螺栓-细牙 | Hex bolt | 2 | | |
| 4 | Q151B1655T1F3 | 六角头螺栓-细牙 | Hex bolt | 2 | | |
| 5 | Q151B16200 | 六角头螺栓—细牙（镀锌） | Hex bolt | 2 | | |
| 6 | Q33216 | 2 型全金属六角锁紧螺母 | Hex nut | 2 | | |
| 7 | Q151B1650 | 六角头螺栓-细牙 | Hex bolt | 2 | | |
| 8 | 190003888459 | 自锁螺母 | Hex nut | 6 | | |
| 9 | Q40016 | 小垫圈（镀锌） | Washer | 4 | | |
| 10 | Q41216 | 外锯齿锁紧垫圈 | Washer | 1 | | |
| 11 | 199100760066 | 隔板 | Partition | 1 | | |
| 12 | 199100760188 | 塞子 | Plug | 4 | | |
| 13 | 199100760084 | 下橡胶垫板 | Rubber backing plate | 1 | | |
| 14 | 199100760008 | 蓄电池箱盖总成 | Battery case cover | 1 | | |
| 15 | DZ9100760121 | 挂钩总成 | Hook | 2 | | |
| 16 | 179200760024 | 夹紧支架 | Clamping bracket | 2 | | |
| 17 | AZ9100760143 | 紧固拉杆 | Pull rod | 4 | | |
| 18 | 168200110021 | 橡胶缓冲块 | Rubber cushion block | 4 | | |
| 19 | Q40008 | 小垫圈（镀锌） | Washer | 4 | | |
| 20 | Q33408 | I 型全金属六角锁紧螺母（镀锌） | Hex nut | 4 | | |
| 21 | 190003179425 | 堵塞 | Plug | 8 | | |
| 22 | 190003171699 | 堵塞 | Plug | 2 | | |
| 23 | 199100760064 | 135 安-时标准蓄电池 | 135A-h battery | 2 | | |
| 24 | 199100760100 | 蓄电池总开关 | Battery switch | 1 | | |
| 25 | 199100760099 | 密封垫 | Seal | 1 | | |

BATTERY BOX 蓄电池箱

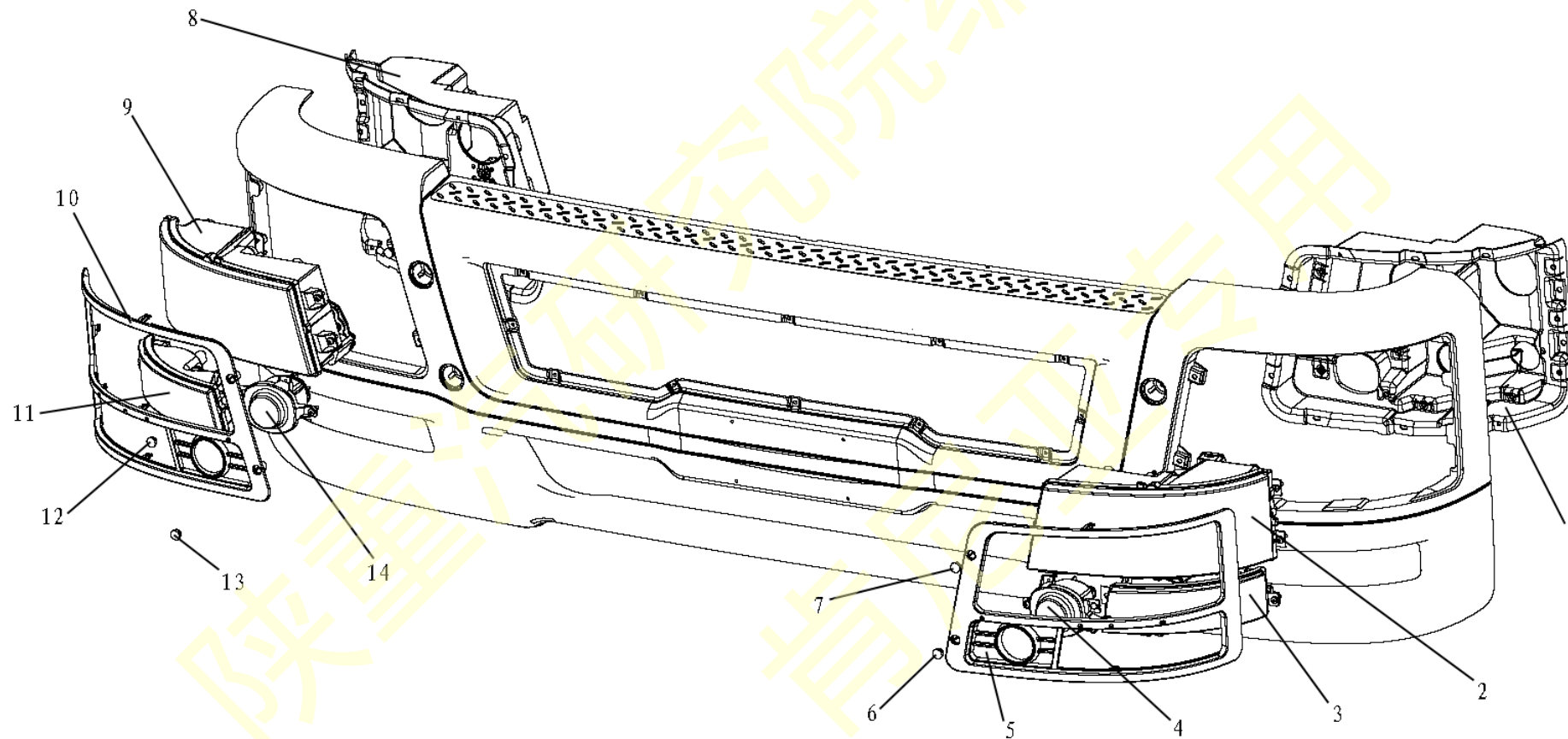


蓄电池箱 BATTERY BOX

| 序号 NO | 件号 Part.No | 名称 Designation | Name | 数量 Quantity | 适用车型 Suited type | 备注 Remark |
|----------|---------------|-------------------|----------------------|----------------|---------------------|--------------|
| 26 | Q150B0835 | 六角头螺栓 | Hex bolt | 2 | | |
| 27 | Q40308 | 弹簧垫圈 | Washer | 2 | | |
| 28 | Q340B08T2F3 | 1 型六角螺母 | Hex nut | 2 | | |
| 39 | 129300130067 | 橡胶缓冲块 | Rubber cushion block | 2 | | |
| 30 | DZ9100766001 | 电源总开关绝缘垫 | Insulating pad | 1 | | |
| 31 | DZ91189779001 | 蓄电池箱穿线胶圈 | Battery apron | 1 | | |

灯具 Lamps and lanterns

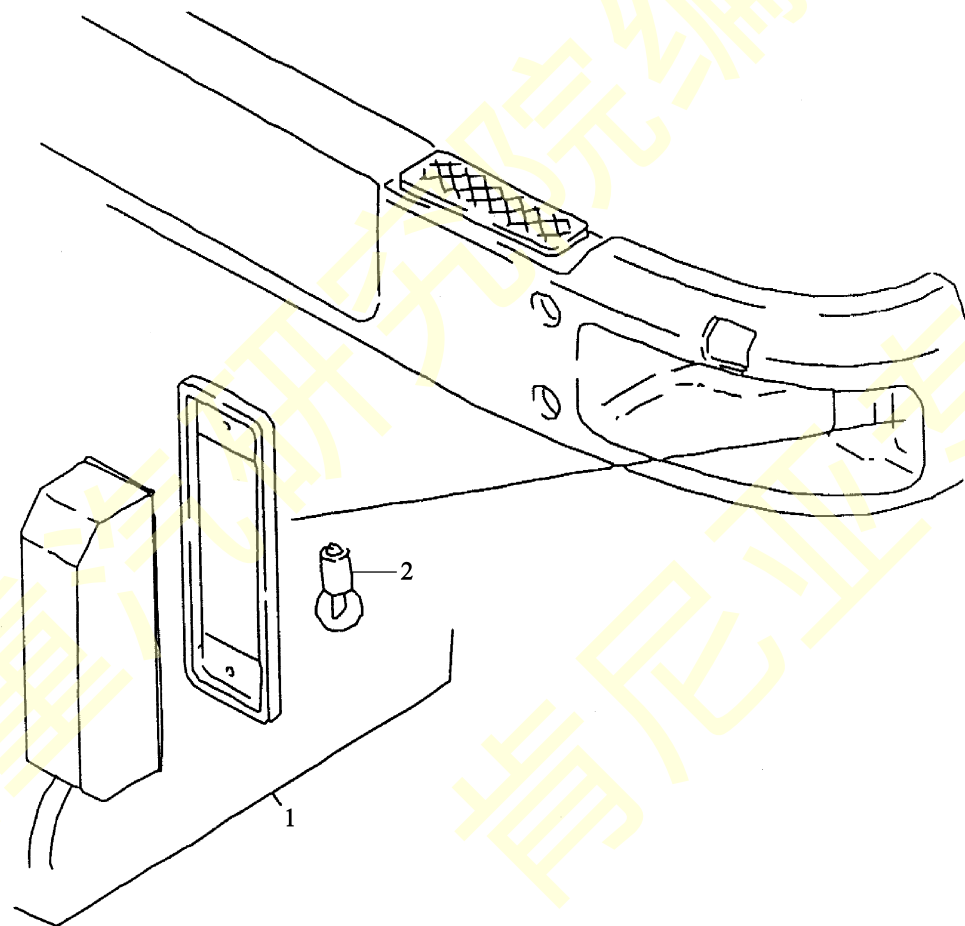
前照灯总成 HEADLAMPS



前照灯总成 HEADLAMPS

| 序号 NO | 件号 Part.No | 名称 Designation | Name | 数量 Quantity | 适用车型 Suited type | 备注 Remark |
|----------|---------------|-----------------------|---|----------------|---------------------|--------------|
| 1 | DZ93189932123 | 前照灯支架(左) | Headlamp bracket (left) | 1 | | |
| 2 | DZ95189724011 | 左远近光及前位灯总成(右置车) | Left far and near light and front lamp assembly | 1 | | |
| | DZ93189723017 | 灯泡(H1-70W-24V-P14.5s) | Bulb | 1 | | |
| | DZ93189723018 | 灯泡(H7-70W-24V-PX26d) | Bulb | 1 | | |
| | DZ93189723019 | 灯泡(W5W-24V-W2.1×9.5d) | Bulb | 1 | | |
| 3 | DZ93189723012 | 辅助远光灯及转向灯总成(左) | Auxiliary far Light and turn signal Assembly (left) | 1 | | |
| | DZ93189723018 | 灯泡(H7-70W-24V-PX26d) | Bulb | 1 | | |
| | DZ93189723028 | 灯泡(PY21W-24V-BAU15s) | Bulb | 1 | | |
| 4 | DZ93189723013 | 前雾灯总成(左) | Front fog lamp assembly (left) | 1 | | |
| | DZ93189723027 | 灯泡(H3-70W-24V-PK22s) | Bulb | 1 | | |
| 5 | DZ93189723014 | 前照灯护罩(左) | Headlamp guard (left) | 1 | | |
| 6 | DZ93189723016 | 前照灯护罩堵盖 L2 | Headlamp guard cover L2 | 1 | | |
| 7 | DZ93189723015 | 前照灯护罩堵盖 L1 | Headlamp guard cover L1 | 1 | | |
| 8 | DZ93189932124 | 前照灯支架(右) | Headlamp bracket (right) | 1 | | |
| 9 | DZ95189724021 | 右远近光及前位灯总成(右置车) | Right far and near light and front lamp assembly | 1 | | |
| | DZ93189723017 | 灯泡(H1-70W-24V-P14.5s) | Bulb | 1 | | |
| | DZ93189723018 | 灯泡(H7-70W-24V-PX26d) | Bulb | 1 | | |
| | DZ93189723019 | 灯泡(W5W-24V-W2.1×9.5d) | Bulb | 1 | | |
| 10 | DZ93189723024 | 前照灯护罩(右) | Headlamp guard(right) | 1 | | |
| 11 | DZ93189723022 | 辅助远光灯及转向灯总成(右) | Auxiliary far Light and turn signal assembly | 1 | | |
| | DZ93189723018 | 灯泡(H7-70W-24V-PX26d) | Bulb | 1 | | |
| | DZ93189723028 | 灯泡(PY21W-24V-BAU15s) | Bulb | 1 | | |
| 12 | DZ93189723025 | 前照灯护罩堵盖 R1 | Headlamp guard cover R1 | 1 | | |
| 13 | DZ93189723026 | 前照灯护罩堵盖 R2 | Headlamp guard cover R2 | 1 | | |
| 14 | DZ93189723023 | 前雾灯总成(右) | Front fog lamp assembly | 1 | | |
| | DZ93189723027 | 灯泡(H3-70W-24V-PK22s) | Bulb | 1 | | |

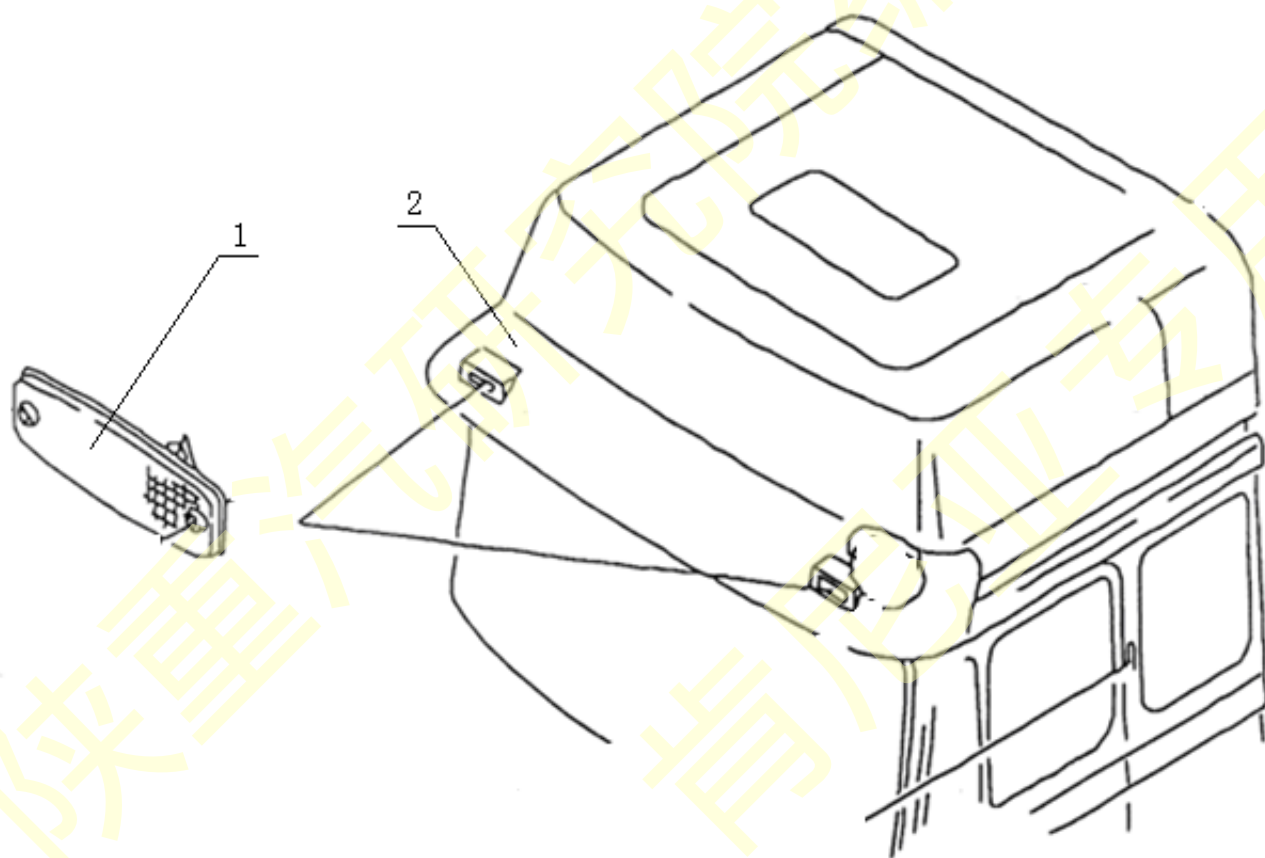
转向灯（保险杠）FLASHERS IN BUMPER



转向灯（保险杠）FLASHERS IN BUMPER

| 序号 NO | 件号 Part.No | 名称 Designation | Name | 数量 Quantity | 适用车型 Suited type | 备注 Remark |
|----------|---------------|-------------------|--------------------------|----------------|---------------------|--------------|
| 1 | 81.25320.6082 | 转向灯 | direction indicator lamp | 2 | | |
| 2 | 81.25901.0075 | 灯泡 | Bulb | 2 | | P21W, 24V |

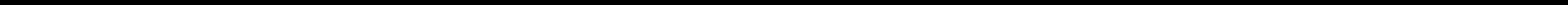
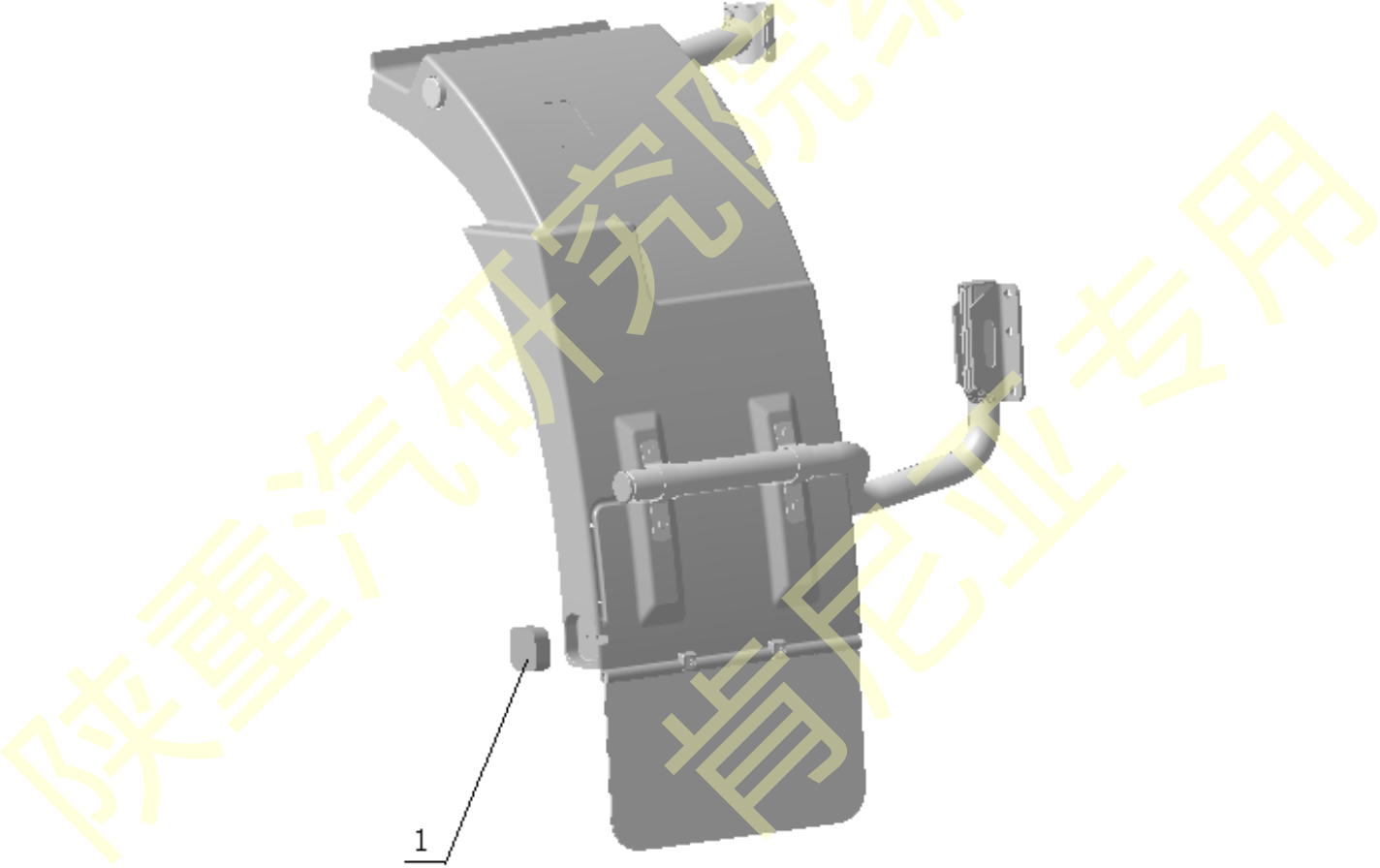
示高灯 HIGH POSITION LIGHTS



示高灯 HIGH POSITION LIGHTS

| 序号 NO | 件号 Part.No | 名称 Designation | Name | 数量 Quantity | 适用车型 Suited type | 备注 Remark |
|----------|---------------|-------------------------|--|----------------|---------------------|--------------|
| 1 | 81.25260.6040 | 示高灯 | High position lamp | 2 | | |
| 2 | 81.63701.6023 | 橡胶过渡组件(带线束) | Rubber transition assembly (with wire harness) | 2 | | |
| | Q2714222 | 十字槽盘头自攻螺钉 | Cross recessed pan head tapping screw | 8 | | |
| | 06.13189.0012 | 簧片螺母(ST4.2-2-MAN183-B1) | reed nut | 8 | | |
| | Q2714222 | 十字槽盘头自攻螺钉 | Cross recessed pan head tapping screw | 2 | | |
| | 06.13189.0071 | 簧片螺母(ST4.2-7-A3C) | reed nut | 4 | | |
| | Q2714222 | 十字槽盘头自攻螺钉 | Cross recessed pan head tapping screw | 2 | | |
| | 04.39535.9011 | 防护条 9/13.7*17-ST | protective strip | 0.25m | | |

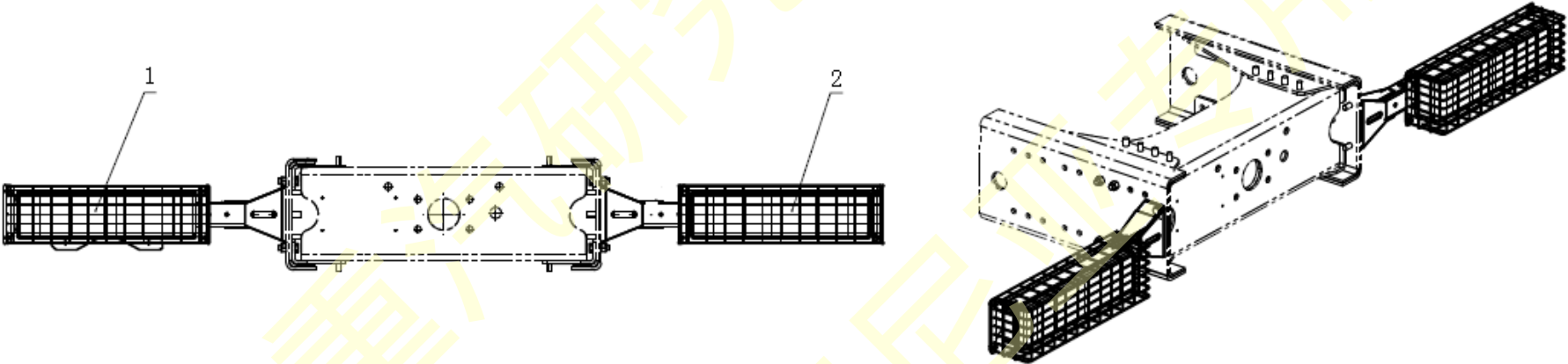
侧标志灯 SIDE-MARKER LIGHTS



侧标志灯 SIDE-MARKER LIGHTS

| 序号 NO | 件号 Part.No | 名称 Designation | Name | 数量 Quantity | 适用车型 Suited type | 备注 Remark |
|----------|---------------|-------------------|----------------------|----------------|---------------------|--------------|
| 1 | 81.25260.6101 | 侧标志灯(带 1250mm 电线) | Side-marker lights | 2 | | |
| | Q40205 | 大垫圈 | Large washer | 4 | | |
| | Q40305 | 弹簧垫圈 | Spring washer | 4 | | |
| | Q340B05 | 1 型六角螺母 | Type 1 hexagonal nut | 4 | | |

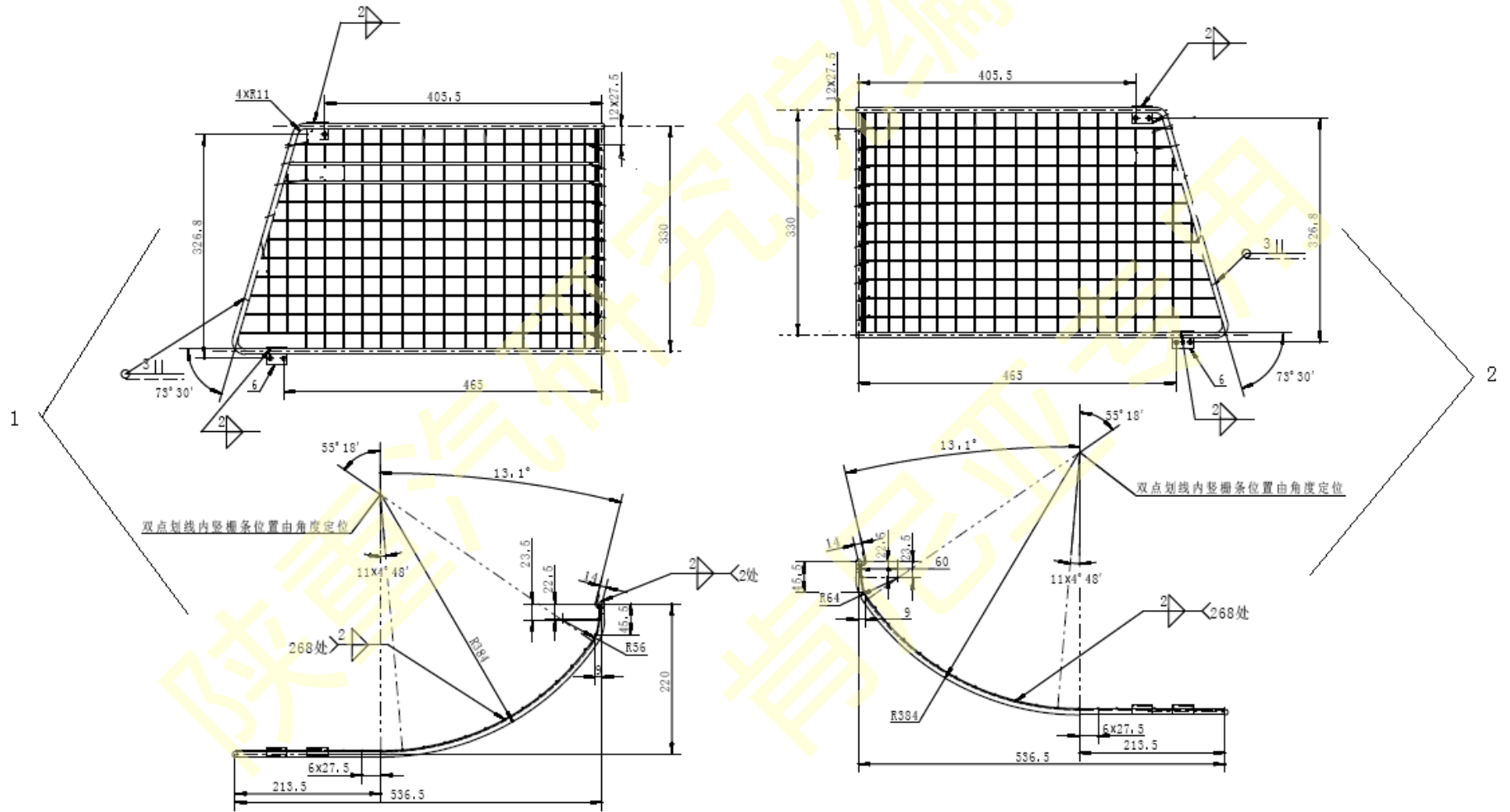
组合后灯



组合后灯

| 序号 NO | 件号 Part.No | 名称 Designation | Name | 数量 Quantity | 适用车型 Suited type | 备注 Remark |
|----------|---------------|-----------------------|--|----------------|---------------------|--------------|
| 1 | DZ9200810019 | T/带侧标志灯 7 功能新型组合后灯(左) | A new type of rear lamp with T / L side marker lamp 7 function (left) | 1 | | |
| 2 | DZ9200810020 | T/带侧标志灯 7 功能新型组合后灯(右) | A new type of rear lamp with T / L side marker lamp 7 function (right) | 1 | | |

前照灯防护栅

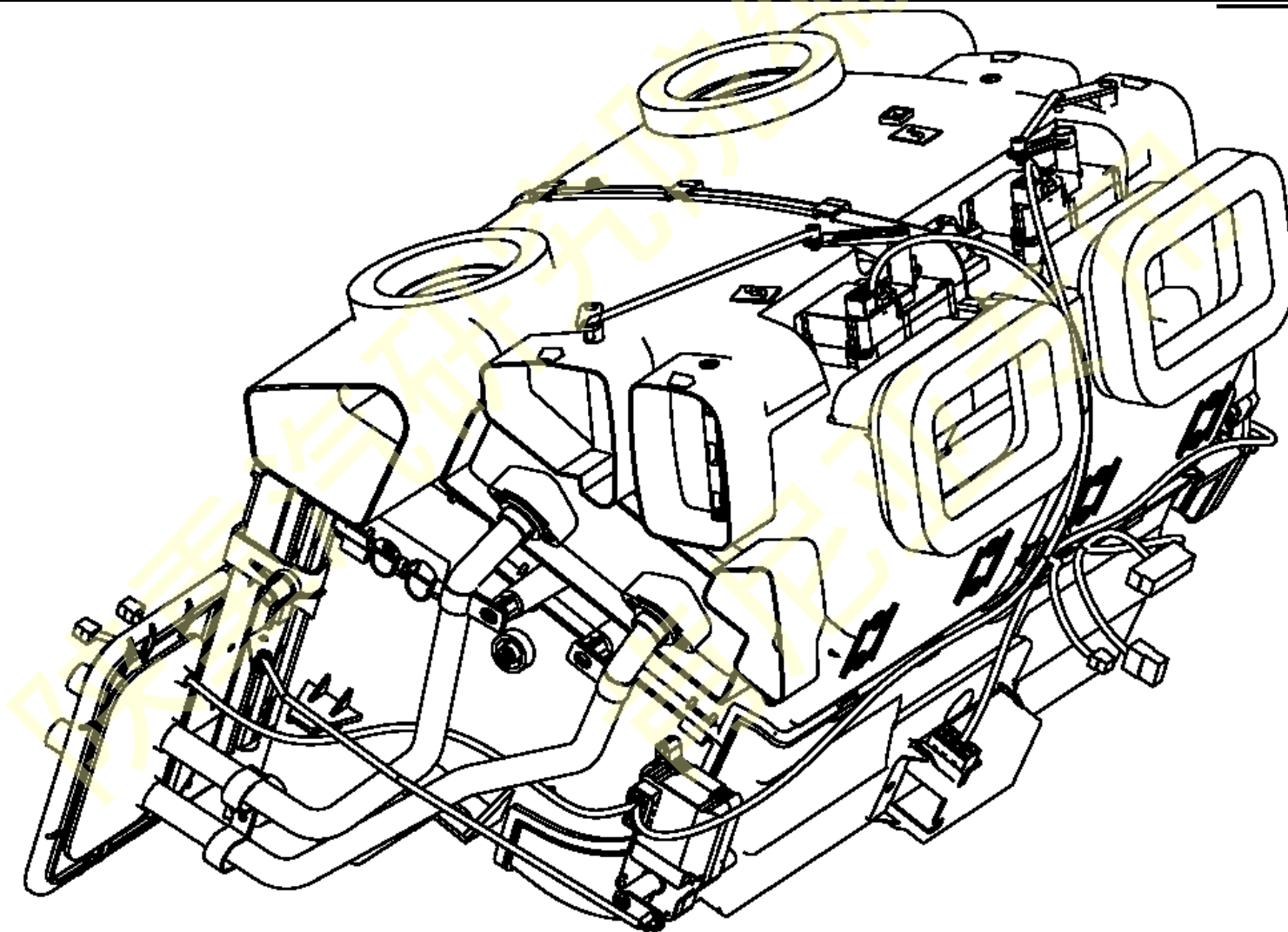


前照灯防护栅

| 序号 NO | 件号 Part.No | 名称 Designation | Name | 数量 Quantity | 适用车型 Suited type | 备注 Remark |
|----------|---------------|-------------------|--|----------------|---------------------|--------------|
| 1 | SZ981000732 | 左前照灯防护栅总成 | Left headlight protective grid assembly | 1 | | |
| 2 | SZ981000737 | 右前照灯防护栅总成 | Right headlight protective grid assembly | 1 | | |

空调系统 The air conditioning system

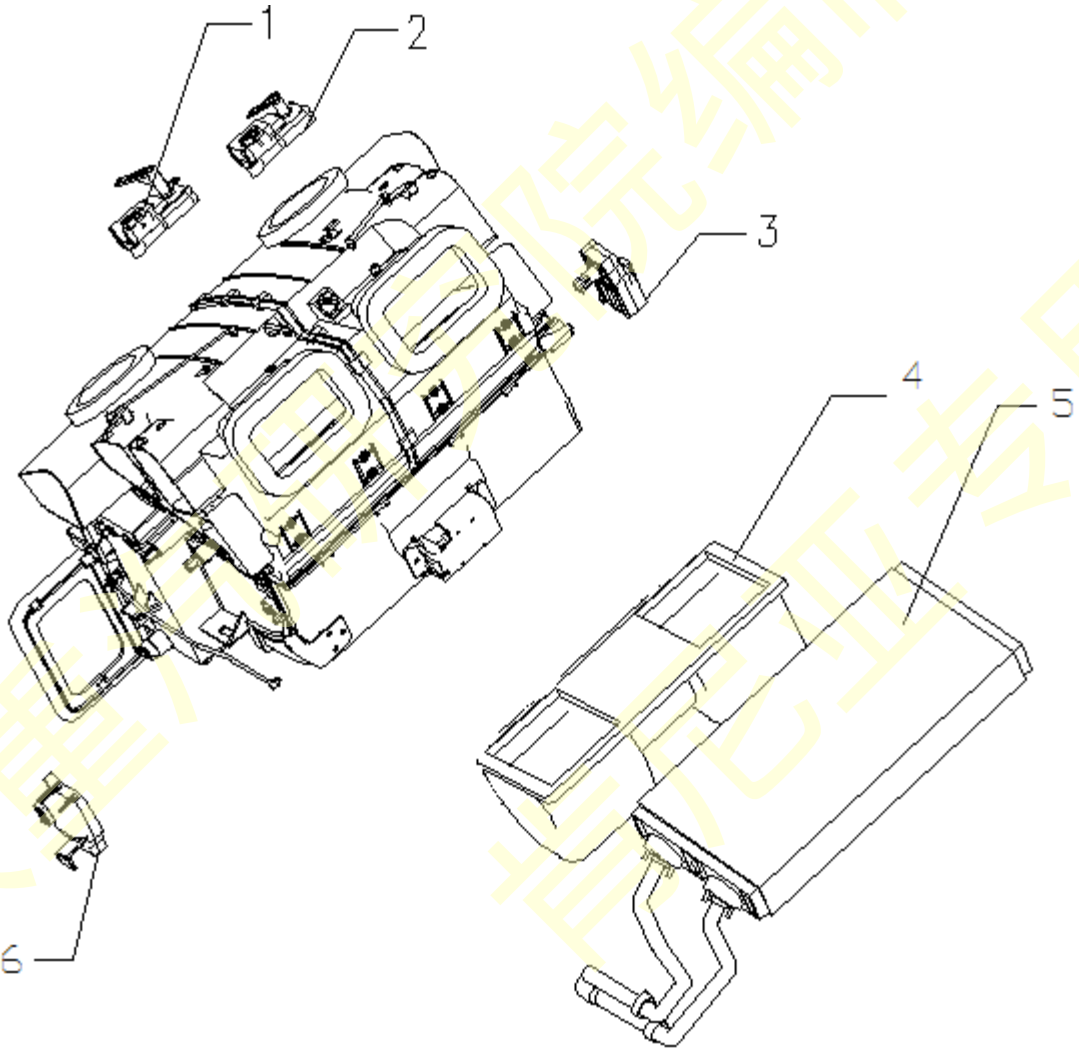
空调系统 AIR SYSTEM



空调系统 AIR SYSTEM

| 序号 NO | 件号 Part.No | 名称 Designation | Name | 数量 Quantity | 适用车型 Suited type | 备注 Remark |
|----------|---------------|-------------------|--------------------------------|----------------|---------------------|--------------|
| 1 | DZ13241841602 | 右置暖风本体总成(改进型) | Auto air-condition Assembly | 1 | | |

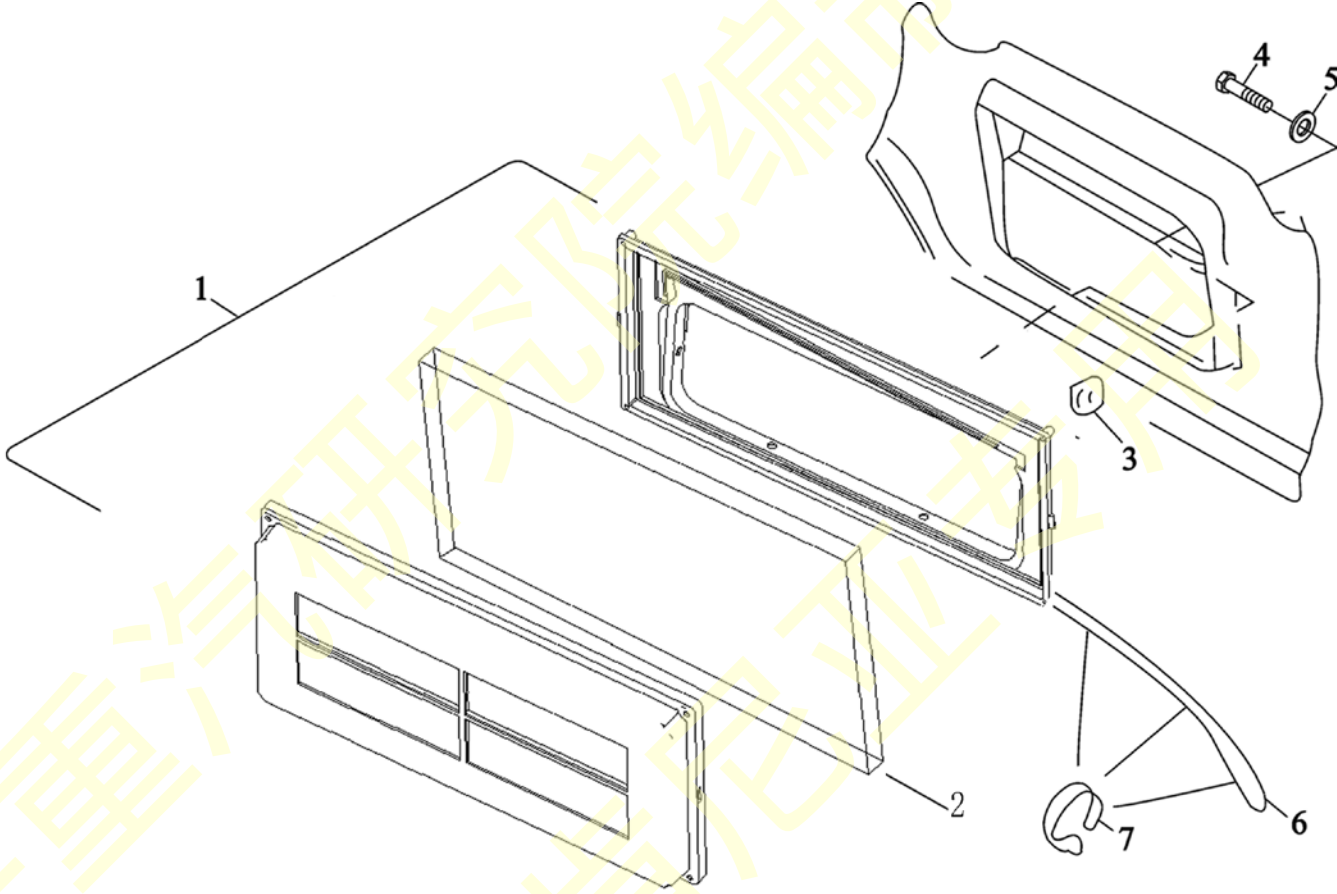
空调系统 AIR SYSTEM



空调系统 AIR SYSTEM

| 序号 NO | 件号 Part.No | 名称 Designation | Name | 数量 Quantity | 适用车型 Suited type | 备注 Remark |
|----------|---------------|-------------------|--|----------------|---------------------|--------------|
| 1 | DZ93189582364 | 除霜风门电机 | Defrost wind door electromotor | 1 | | |
| 2 | DZ93189582365 | 吹脚风门电机 | Blow wind door electromotor | 1 | | |
| 3 | DZ93189582363 | 混合风门电机 | Blend wind door electromotor | 1 | | |
| 4 | DZ13241841114 | 鼓风电机总成 | Fan assembly | 1 | | |
| 5 | DZ13241841113 | 暖风芯体总成 | Heating Core assembly | 1 | | |
| 6 | DZ93189582362 | 内外循环风门电机 | Inner & out circle wind door assembly | 1 | | |

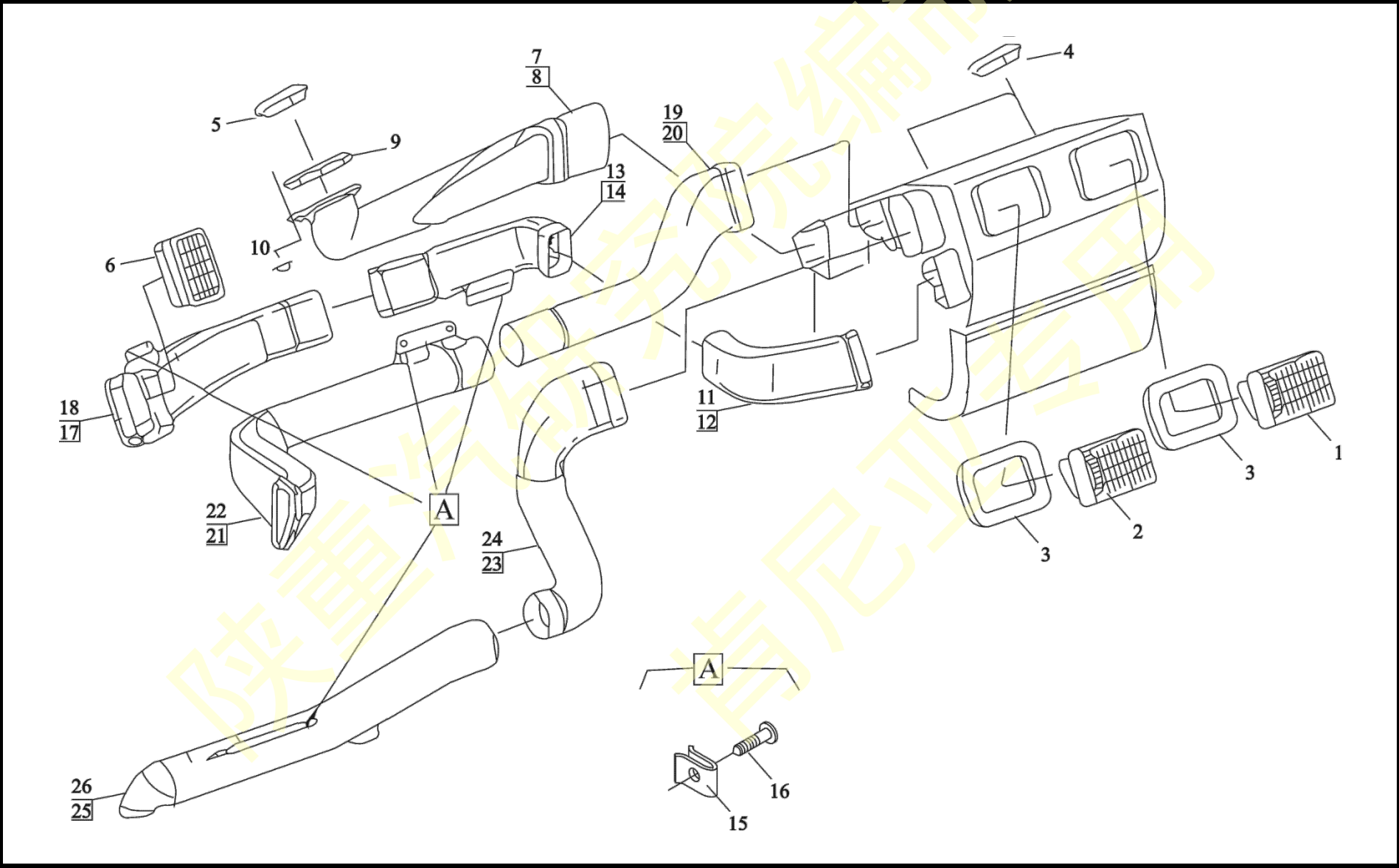
驾驶室进气装置 AIR INTAKE BOX ON CAB



驾驶室进气装置 AIR INTAKE BOX ON CAB

| 序号 NO | 件号 Part.No | 名称 Designation | Name | 数量 Quantity | 适用车型 Suited type | 备注 Remark |
|----------|---------------|-------------------|-------------------------------|----------------|---------------------|----------------------------|
| 1 | DZ13241841430 | 过滤器壳体总成 | Filter housing assembly | 1 | | |
| 2 | 81.61910.0011 | 风机进风口滤网 | Pollen filter | 1 | | |
| 3 | 81.41860.0040 | 锁扣 | Lock | 2 | | |
| 4 | 06.07158.1604 | 自攻螺钉 | Reed nut | 4 | | ST4.8×16C-H-A3R |
| 5 | 06.15190.0306 | 垫圈 | Oval-head self- tapping screw | 4 | | 5.3×15×1.2-140HV-MAN183-B1 |
| 6 | SZ914000709 | 空调排水管 | Air-Condition tube | 1 | | |
| 7 | 81.97401.0580 | 塑料紧固带 | Cable binder | 2 | | 2.4×92-PA6.6-SW |

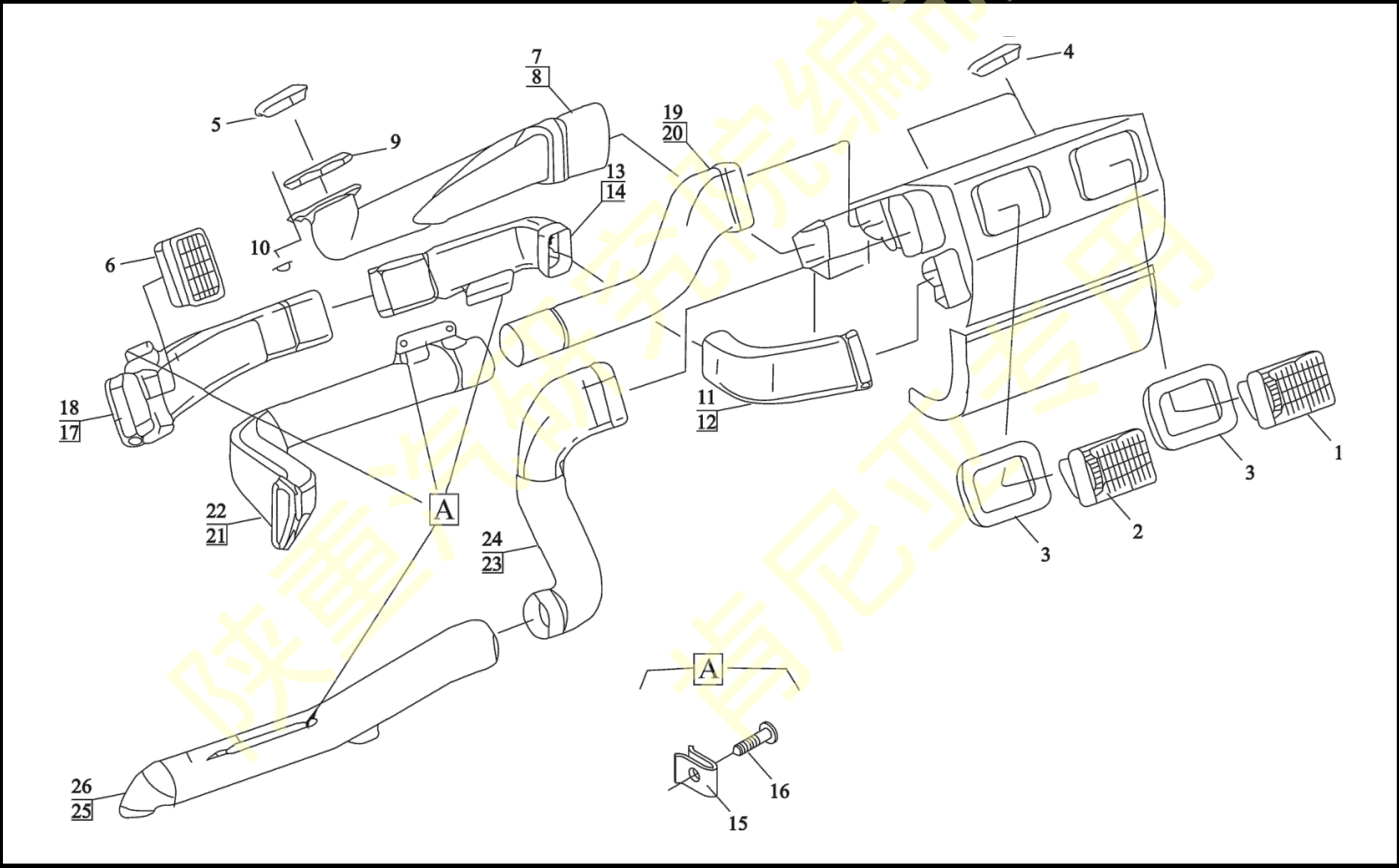
空气管道 AIR DUCT



空气管道 AIR DUCT

| 序号 NO | 件号 Part.No | 名称 Designation | Name | 数量 Quantity | 适用车型 Suited type | 备注 Remark |
|----------|---------------|-------------------|----------------------------------|----------------|---------------------|--------------------|
| 1 | DZ13241842420 | 右侧出风口总成 | Right air outlet | 1 | | |
| 2 | DZ13241842419 | 左侧出风口总成 | Left air outlet | 1 | | |
| 3 | 81.61951.2009 | 衬垫 | Gasket | 2 | | |
| 4 | DZ13241842414 | 圆形出风口总成(中间) | Nozzle assembly(middle) | 2 | | |
| 5 | DZ13241842410 | 圆形出风口总成(左) | Nozzle assembly(left) | 1 | | |
| | DZ13241842412 | 圆形出风口总成(右) | Nozzle assembly(right) | 1 | | |
| 6 | DZ13241842418 | 出风口总成 | air outlet | 2 | | |
| 7 | 81.61950.0213 | 左空气管道 除霜器 | Left defroster air duct right | 1 | | |
| 8 | 81.61950.0214 | 右空气管道 除霜器 | Right defroster air duct | 1 | | |
| 9 | 81.61951.2003 | 非石棉衬垫 | Gasket asbestos-free | 2 | | |
| 10 | 06.41159.0050 | 锁紧垫片 | Lock washer | 2 | | 5-18-CK67/PVC-SW |
| 11 | 81.61950.0239 | 左内空气管道 | Air duct left inner | 1 | | |
| 12 | 81.61950.0238 | 右内空气管道 | Air duct right inner | 1 | | |
| 13 | 81.61950.0229 | 左中侧空气管道 | Air duct left | 1 | | |
| 14 | 81.61950.0228 | 右中侧空气管道 | Air duct right | 1 | | |
| 15 | 06.07158.4504 | 自攻螺钉 | Oval-head self-tapping screw | 10 | | ST4.2×16Z1-C-H-A3R |
| 16 | 06.13189.0051 | 簧片螺母 | Reed nut | 10 | | ST4.2-4-A3C |
| 17 | 81.61950.0233 | 外左空气管道 | Air duct left outer | 1 | | |
| 18 | 81.61950.0232 | 外右空气管道 | Air duct right outer | 1 | | |
| 19 | 81.61950.0215 | 在车门一侧的左内空气管道 | Air duct left inner on doorside | 1 | | |
| 20 | 81.61950.0216 | 在车门一侧的右内空气管道 | Air duct right inner on doorside | 1 | | |
| 21 | 81.61950.0219 | 在车门一侧的左外空气管道 | Air duct left inner on doorside | 1 | | |

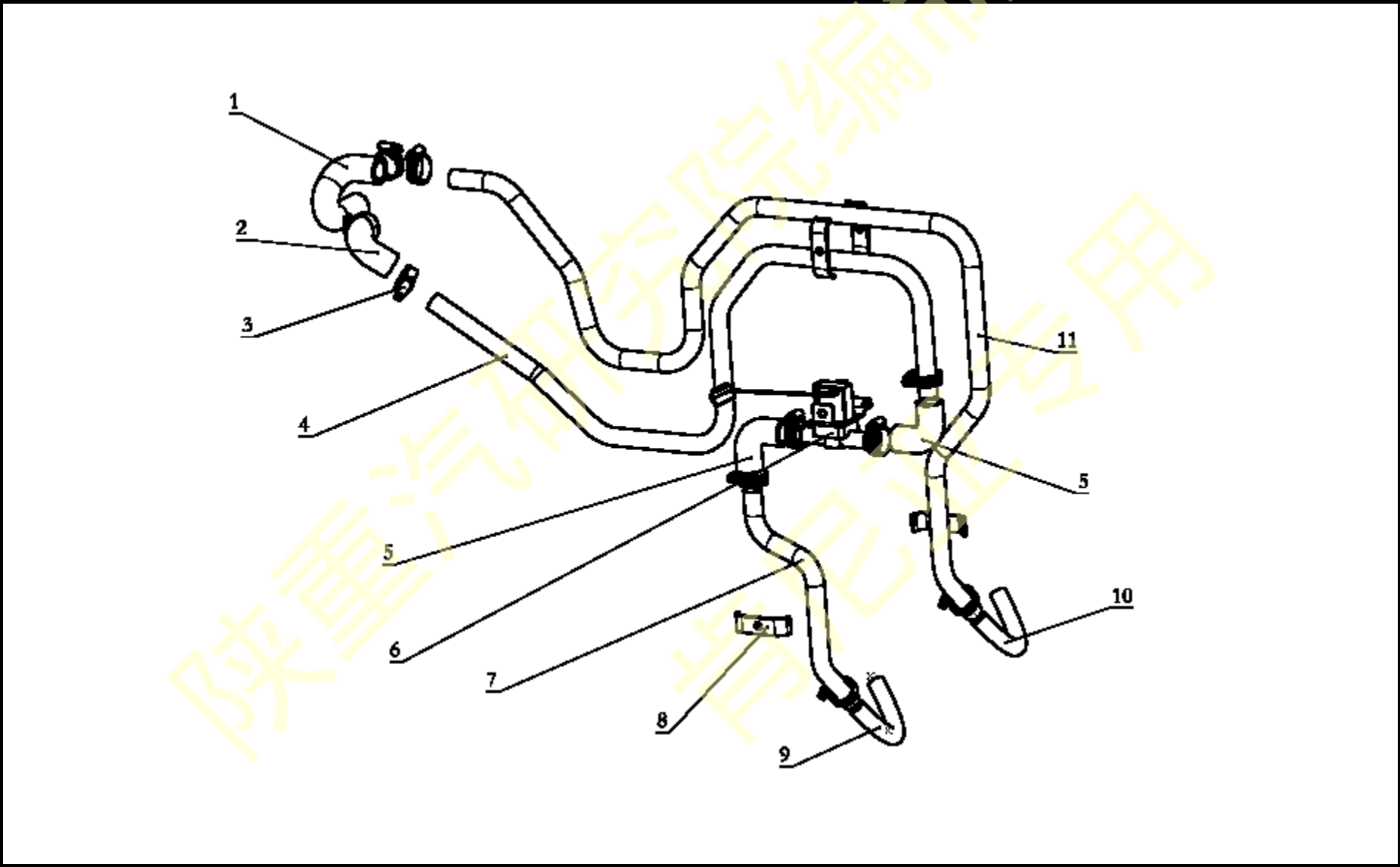
空气管道 AIR DUCT



空气管道 AIR DUCT

| 序号 NO | 件号 Part.No | 名称 Designation | Name | 数量 Quantity | 适用车型 Suited type | 备注 Remark |
|----------|---------------|-------------------|-----------------------------------|----------------|---------------------|--------------|
| 22 | 81.61950.0220 | 在车门一侧的右外空气管道 | Air duct right outer on door side | 1 | | |
| 23 | 81.61950.0223 | 左脚底内空气管道 | Air duct left inner | 1 | | |
| 24 | 81.61950.0222 | 右脚底内空气管道 | Air duct right inner | 1 | | |
| 25 | 81.61950.0225 | 左脚底风嘴 | Left foot space nozzle | 1 | | |
| 26 | 81.61950.0224 | 右脚底风嘴 | Right foot space nozzle | 1 | | |

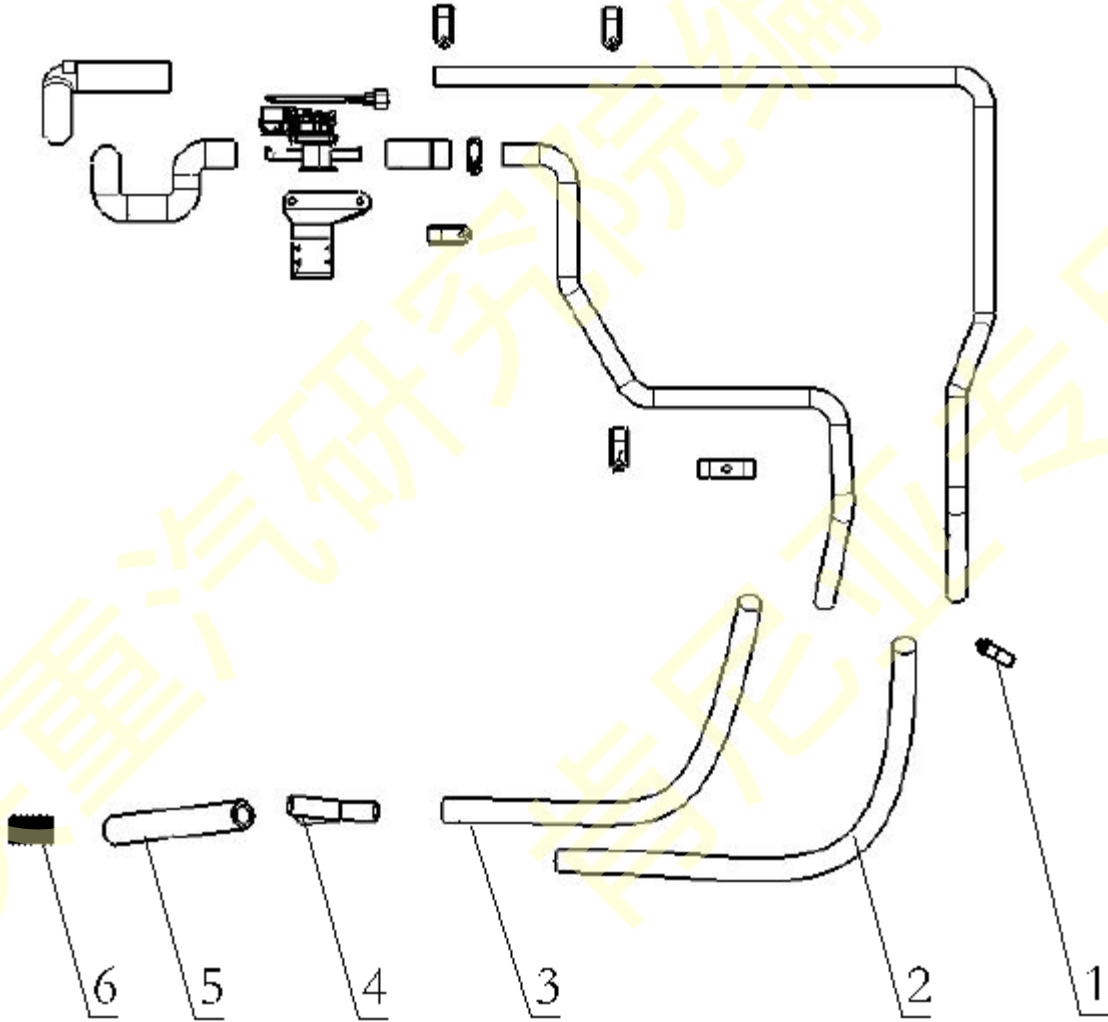
暖风装置（带空调） HEATER DEVICE (WITH AIR CONDITION)



暖风装置（带空调） HEATER DEVICE (WITH AIR CONDITION)

| 序号 NO | 件号 Part.No | 名称 Designation | Name | 数量 Quantity | 适用车型 Suited type | 备注 Remark |
|----------|---------------|---------------------------|---------------|----------------|---------------------|--------------|
| 1 | DZ13241841802 | 右置暖风成型软管(二) | Shaped hose | 1 | | |
| 2 | DZ13241841801 | 右置暖风成型软管(一) 软 | Shaped hose | 1 | | |
| 3 | 190003989301 | 管卡箍--ZQ68825 | Hose clamp | 8 | | |
| 4 | DZ13241841705 | 改进型右置暖风铝管(三) | Heater line | 1 | | |
| 5 | DZ13241841803 | 改进型右置暖风成型软管) 电控水阀(常开型) | Heater line | 1 | | |
| 6 | DZ13241841611 | 改进型右置暖风铝管(二) | Control valve | 1 | | |
| 7 | DZ13241841704 | 双管卡 --2*18-8-MAN183-B1 | Heater line | 1 | | |
| 8 | 06.67066.0213 | 橡胶软管 橡胶软管 | Bracket | 4 | | |
| 9 | DZ9112530410 | 改进型右置暖风铝管(一) | hose | 1 | | |
| 10 | DZ1643840011 | | hose | 1 | | |
| 11 | DZ13241841703 | | Heater line | 1 | | |

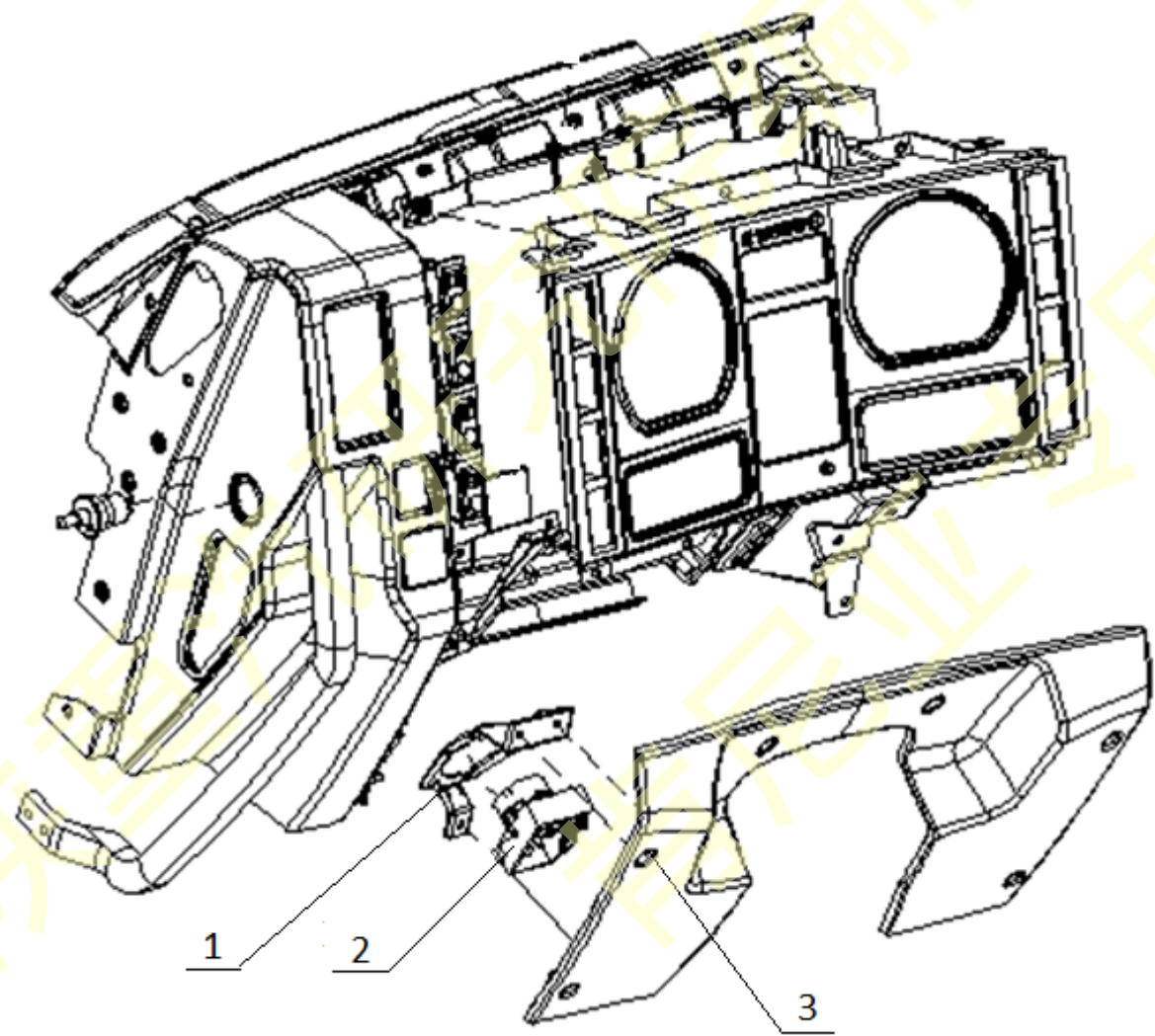
暖风装置 HEATER DEVICE



暖风装置 HEATER DEVICE

| 序号 NO | 件号 Part.No | 名称 Designation | Name | 数量 Quantity | 适用车型 Suited type | 备注 Remark |
|----------|---------------|-------------------|----------------|----------------|---------------------|--------------|
| 1 | 190003989301 | 软管卡箍--ZQ68825 | Hose clamp | 6 | | |
| 2 | DZ1643840011 | 橡胶软管 | Rubber hose | 1 | | |
| 3 | DZ1643840011 | 橡胶软管 | Rubber hose | 1 | | |
| 4 | 199100530126 | Y型件 | Y type pipe | 1 | | |
| 5 | 116003840071 | 橡胶软管 | Rubber hose | 1 | | |
| 6 | DZ9100470039 | 弹性护套 | Elastic sheath | 6 | | |

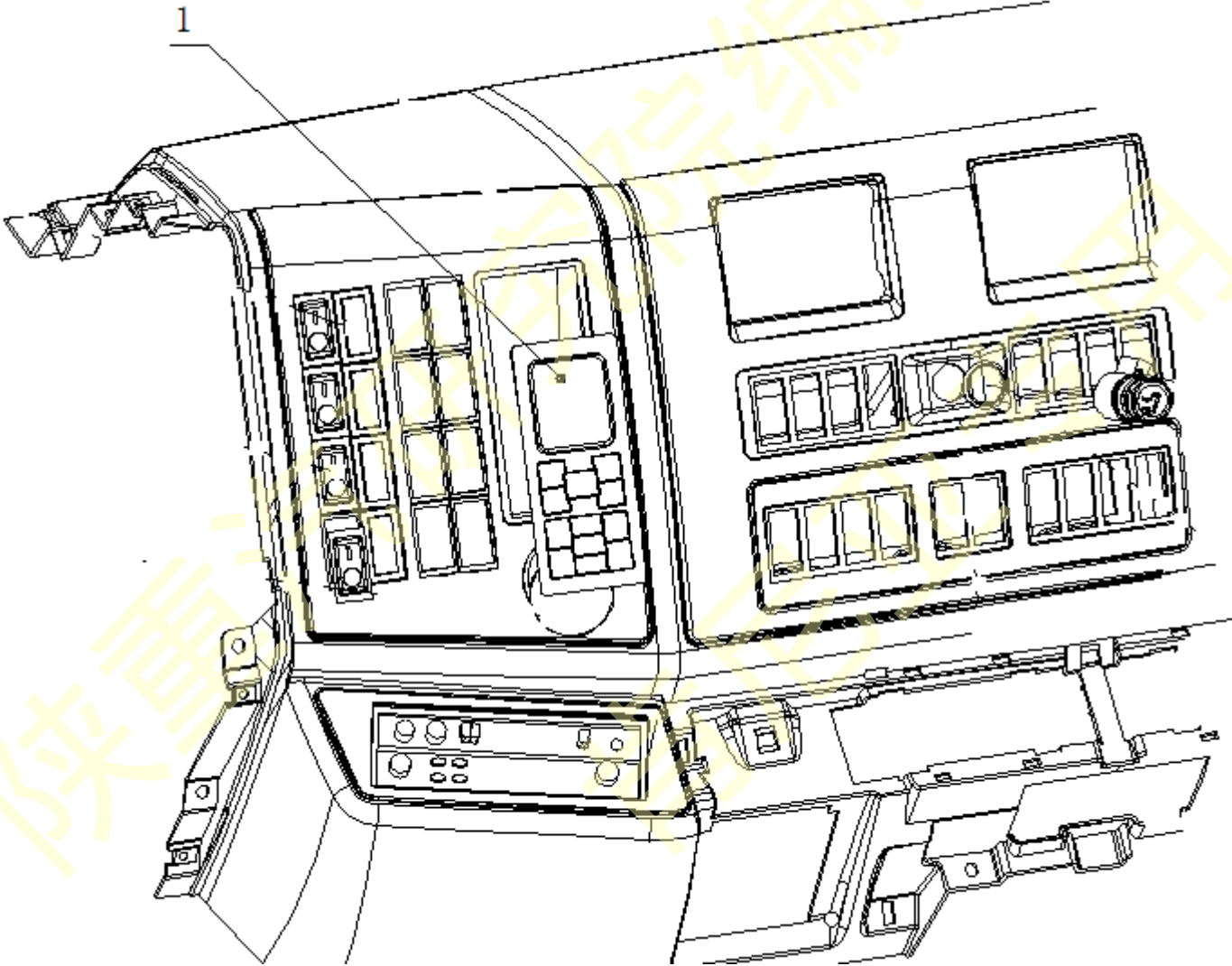
温度传感器 TEMPERATURE SENSOR



温度传感器 TEMPERATURE SENSOR

| 序号 NO | 件号 Part.No | 名称 Designation | Name | 数量 Quantit | 适用车型 Suited type | 备注 Remark |
|----------|---------------|-------------------|--------------------------|---------------|---------------------|--------------|
| 1 | DZ13241841416 | 温度传感器支架 | Inner temperature sensor | 1 | | |
| 2 | 81.61930.6070 | 室内温度传感器 | bracket | 1 | | |
| 3 | Q2204213 | 十字槽盘头自攻螺钉和平垫圈组合件 | Screw | 3 | | |

空调控制器 AIR CONDITION CONTROLLER

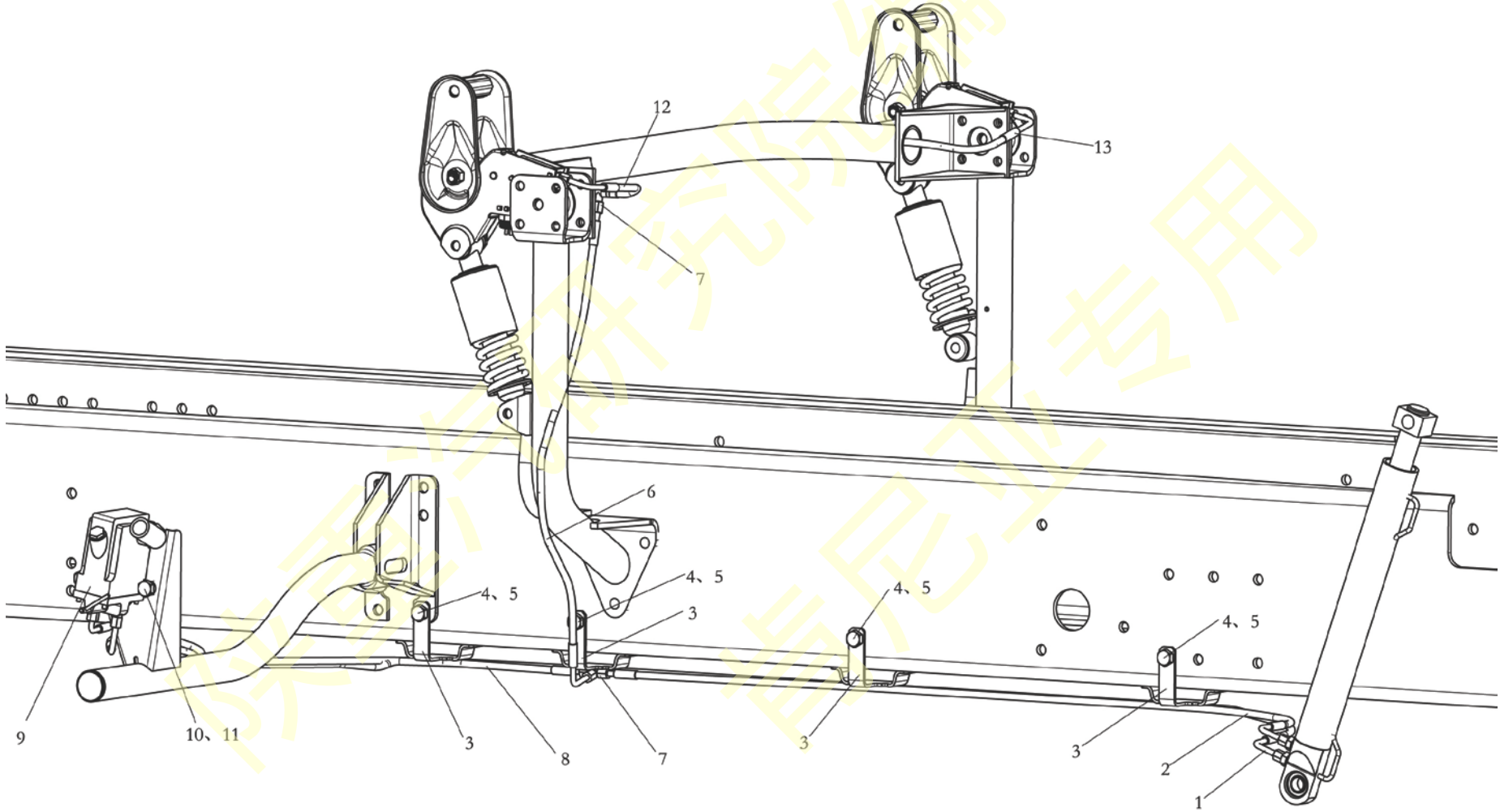


空调控制器 AIR CONDITION CONTROLLER

| 序号 NO | 件号 Part.No | 名称 Designation | Name | 数量 Quantity | 适用车型 Suited type | 备注 Remark |
|----------|---------------|-------------------|--------------------------|----------------|---------------------|--------------|
| 1 | DZ95189585345 | 自动空调控制器(F3000/三态) | Air condition controller | 1 | | |

驾驶室翻转 The cab flip

驾驶室液压翻转系统 CAB HYDRAULIC TILTING EQUIPMENT

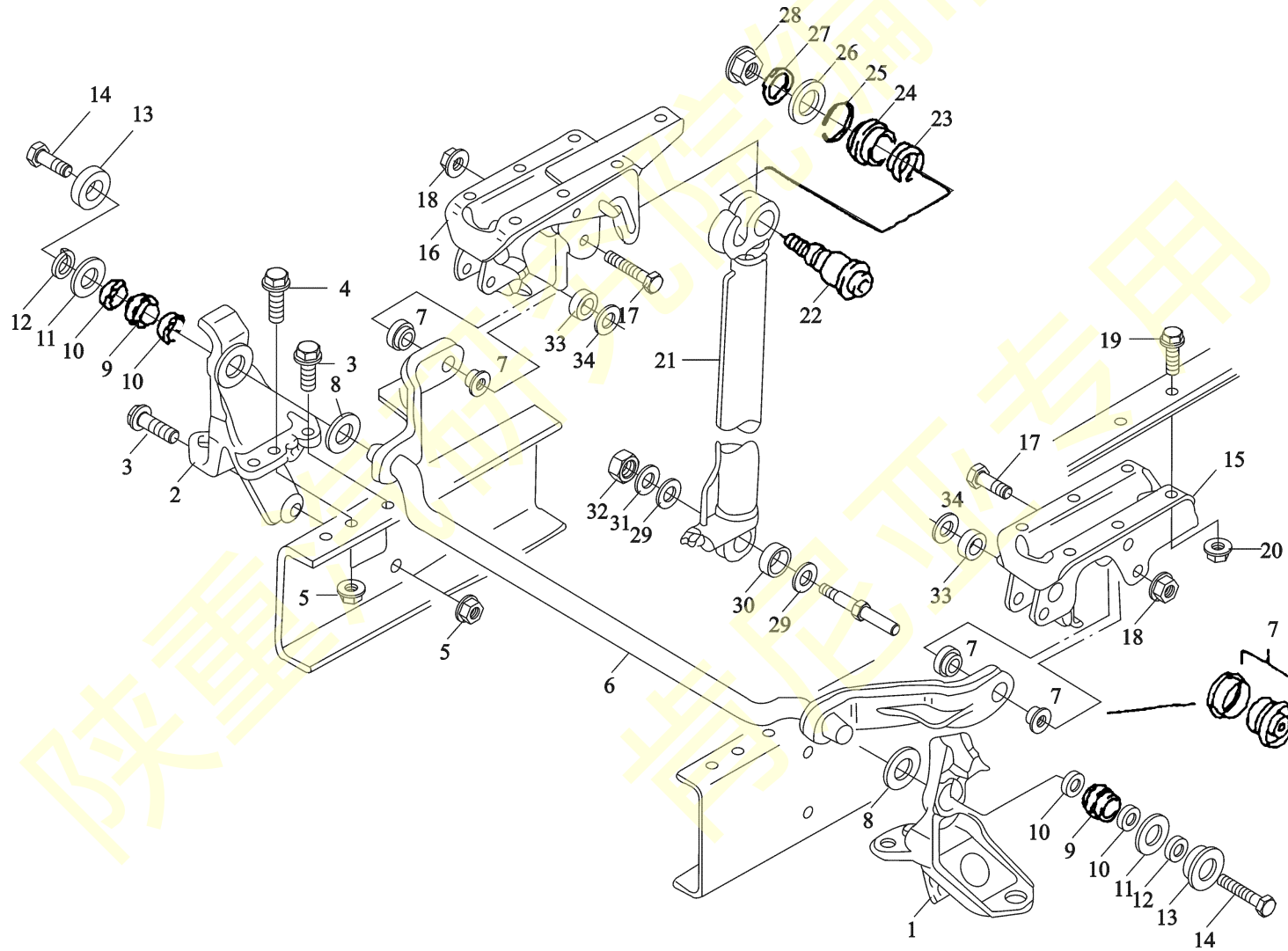


驾驶室液压翻转系统

| 序号 NO | 件号 Part.No | 名称 Designation | Name | 数量 Quantity | 适用车型 Suited type | 备注 Remark |
|----------|----------------------------|-------------------|------------------------------------|----------------|---------------------|--------------|
| 1 | DZ93259820051 | 高压软管 | Oil feeding pipe | 1 | | |
| 2 | DZ93259820052 | 高压软管 | Oil feeding pipe | 1 | | |
| 3 | DZ93259820061 | 支架 | plate | 4 | | |
| 4 | Q150B1440 | 六角头螺栓 | Hex screw | 4 | | |
| 5 | Q33214 | 2型全金属六角锁紧螺母 | Locking nut | 4 | | |
| 6 | DZ93259820054 | 高压软管 | Oil feeding pipe | 1 | | |
| 7 | 190003559482 | 卡套式三通管接头 | Three soint | 2 | | |
| 8 | DZ93259820053 | 高压软管 | Oil feeding pipe | 1 | | |
| 9 | DZ93259820100 | 改进型液压手动油泵 | Improved hydraulic manual oil pump | 1 | | |
| 10 | Q150B1025 | 六角头螺栓 | Hex screw | 4 | | |
| 11 | Q33210 | 2型全金属六角锁紧螺母 | Locking nut | 4 | | |
| 12 | SZ144000002 | 高压软管 | Oil feeding pipe | 1 | | |
| 13 | SZ144000004 SZ144000003 | 高压软管 | Oil feeding pipe | 1 | | |

前悬架 front suspension

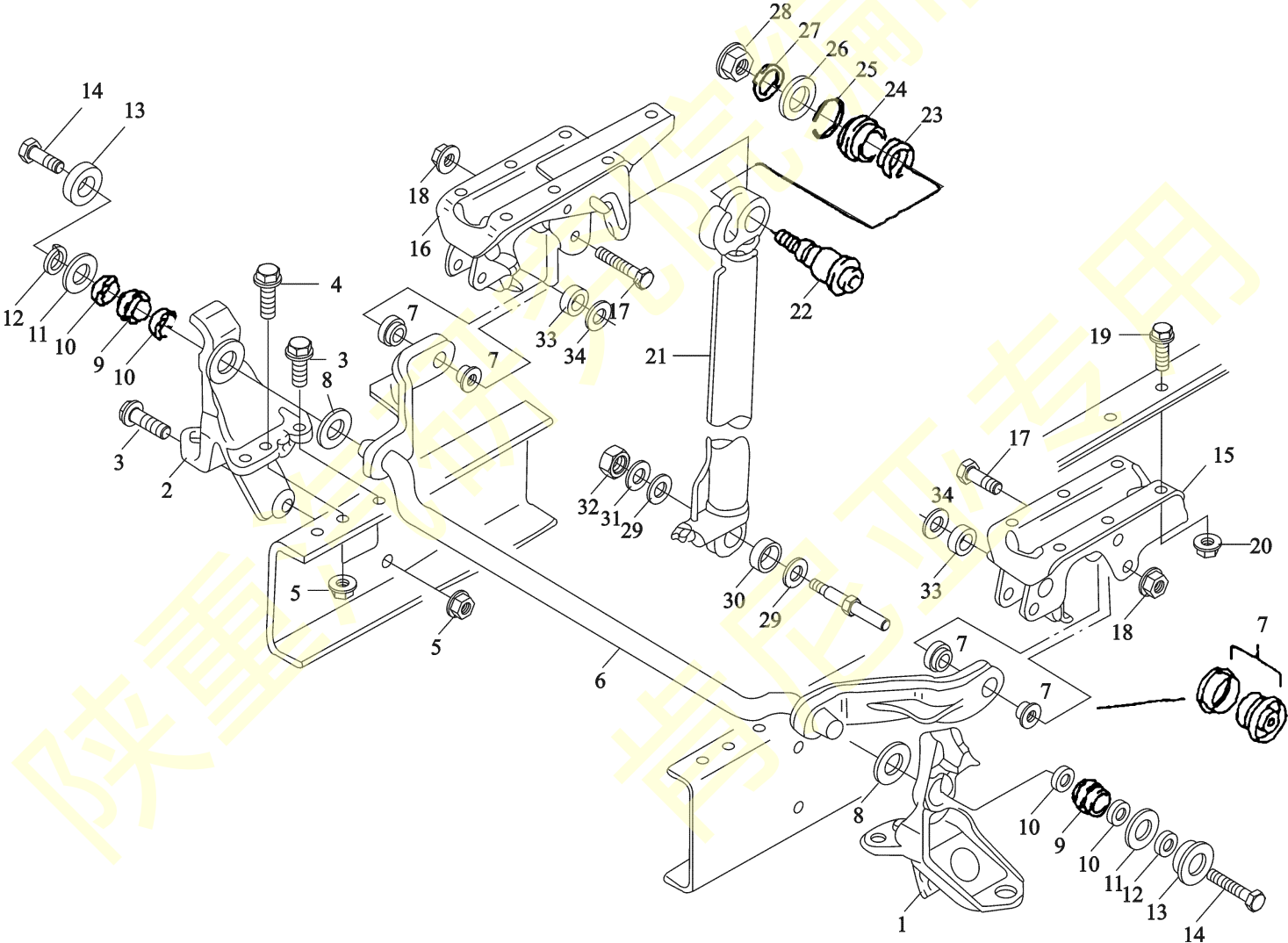
右置驾驶车辆驾驶室翻转机构 CAB TILTING MECHANISM L.H. DRIVE VEHICLE



右置驾驶车辆驾驶室翻转机构 CAB TILTING MECHANISM L.H. DRIVE VEHICLE

| 序号 NO | 件号 Part.No | 名称 Designation | Name | 数量 Quantity | 适用车型 Suited type | 备注 Remark |
|----------|---------------|--------------------|--------------------------|----------------|---------------------|---------------------------------|
| 1 | 81.41720.6061 | 左托架总成 | Bracket left | 1 | | |
| 2 | 81.41720.6060 | 右托架总成 | Bracket right | 1 | | |
| 3 | 06.02813.4913 | 六角锁紧螺钉 | Hex lock screw | 6 | | M14×40 |
| 4 | 06.02813.4915 | 六角锁紧螺钉 | Hex lock screw | 4 | | M14×55 |
| 5 | 06.11251.2005 | 锁紧螺母 | Hex lock nut | 10 | | M14×1.5-10-MAN183-B1 |
| 6 | DZ13241430080 | 翻转轴总成(出口) | Locating arm assembly | 1 | | |
| 7 | 81.96210.0437 | 垫圈 | Rubber pad plastic/steel | 2 | | |
| 8 | 81.90713.0909 | 垫片 | Shim | 2 | | 33×65×6-ST/GI |
| 9 | 06.36950.0510 | 轴承衬套 | Bearing bush | 2 | | |
| 10 | 81.96503.0129 | 垫片 | Seal | 4 | | 35.5×47×5-PUR |
| 11 | 81.96101.0638 | 垫片 | Washer | 2 | | 32×70×4-PAF |
| 12 | 06.15013.0415 | 垫片 | Washer | 2 | | A15×28×2.5-200HV- MAN183-B1 |
| 13 | 81.96210.0407 | 垫片 | Rubber pad | 2 | | M14×30 |
| 14 | Q218B1430 | 内六角圆柱头螺钉 | Cylinder crew | 2 | | |
| 15 | 81.41720.5339 | 翻转轴左支撑总成(右置 车用) | Bracket assembly left | 1 | | |
| 16 | 81.41720.5342 | 翻转轴右支撑总成(右置 车用) | Bracket assembly right | 1 | | |
| 17 | 06.01499.0150 | 六角头螺栓 | Hex shoulder stud | 2 | | M16×100 |
| 18 | 06.11241.0117 | 六角锁紧螺母 | Hex lock nut | 2 | | AM16×1.5-10-A3C |
| 19 | 06.01739.0054 | 螺栓 | Hex bolt | 11 | | M12×1.5×35-8.8-A- MAN183-A3C |
| 20 | 06.11222.6507 | 六角螺栓 | Hex collar lock nut | 14 | | M12×1.5-MAN183-B1 |
| 21 | SZ182000732 | 翻转油缸(右置车用) | Hydraulic cylinder | 1 | | |

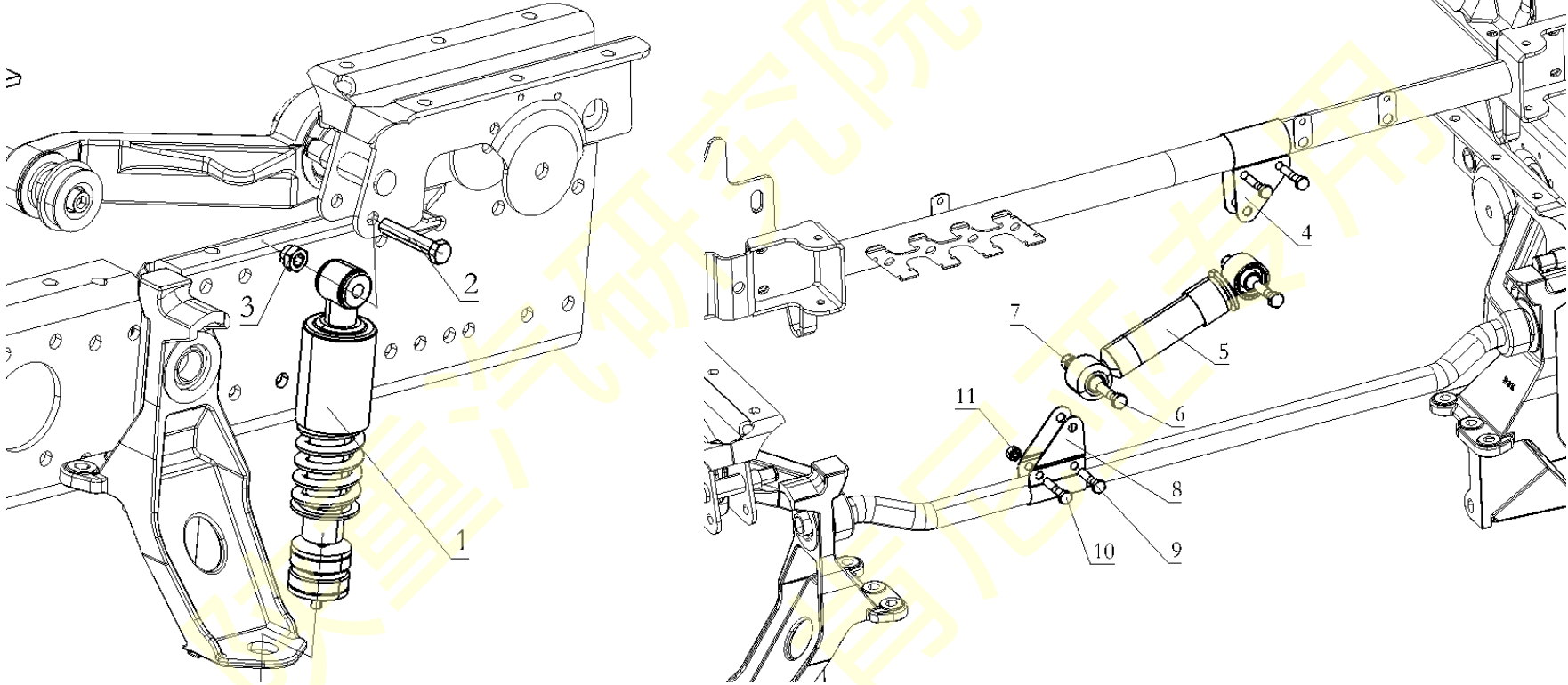
右置驾驶车辆驾驶室翻转机构 CAB TILTING MECHANISM L.H. DRIVE VEHICLE



右置驾驶车辆驾驶室翻转机构 CAB TILTING MECHANISM L.H. DRIVE VEHICLE

| 序号 NO | 件号 Part.No | 名称 Designation | Name | 数量 Quantity | 适用车型 Suited type | 备注 Remark |
|----------|---------------|-------------------|-----------------|----------------|---------------------|-------------------------|
| 22 | 81.91020.0734 | 销子 | Pin | 1 | | 1.6×32.4×25-X12CRNI177K |
| 23 | 81.97602.0764 | 压力弹簧 | Pressure spring | 1 | | |
| 24 | 81.41723.0064 | 垫片 | Washer | 1 | | A23.2×1.25 |
| 25 | 81.90820.0500 | 垫片 | Circlip | 1 | | 25×38×3-PE |
| 26 | 81.90713.0697 | 垫圈 | Washer | 1 | | 16.2×36×4-ST2K32-A4C |
| 27 | 81.90713.0696 | 衬板 | Washer | 1 | | AM16×1.5-10-A3C |
| 28 | 06.11241.0117 | 螺母 | Hex lock nut | 2 | | |
| 29 | 81.90712.0983 | 垫片 | Washer | 2 | | 29.5×40×7-PUR |
| 30 | 81.96502.0867 | 石棉垫圈 | Seal | 1 | | 18.2×44×3-ST50-2-A3C |
| 31 | 81.90713.0695 | 垫片 | Washer | 1 | | AM18×2-10-MAN183-B1 |
| 32 | 06.11241.0321 | 锁紧螺母 | Hex lock nut | 2 | | 20×40×20 |
| 33 | 81.95801.0114 | 滚柱 | Bush | 2 | | 20×1.20-ZNPHR5F |
| 34 | 06.29010.0117 | 挡圈 | Circlip | 2 | | |

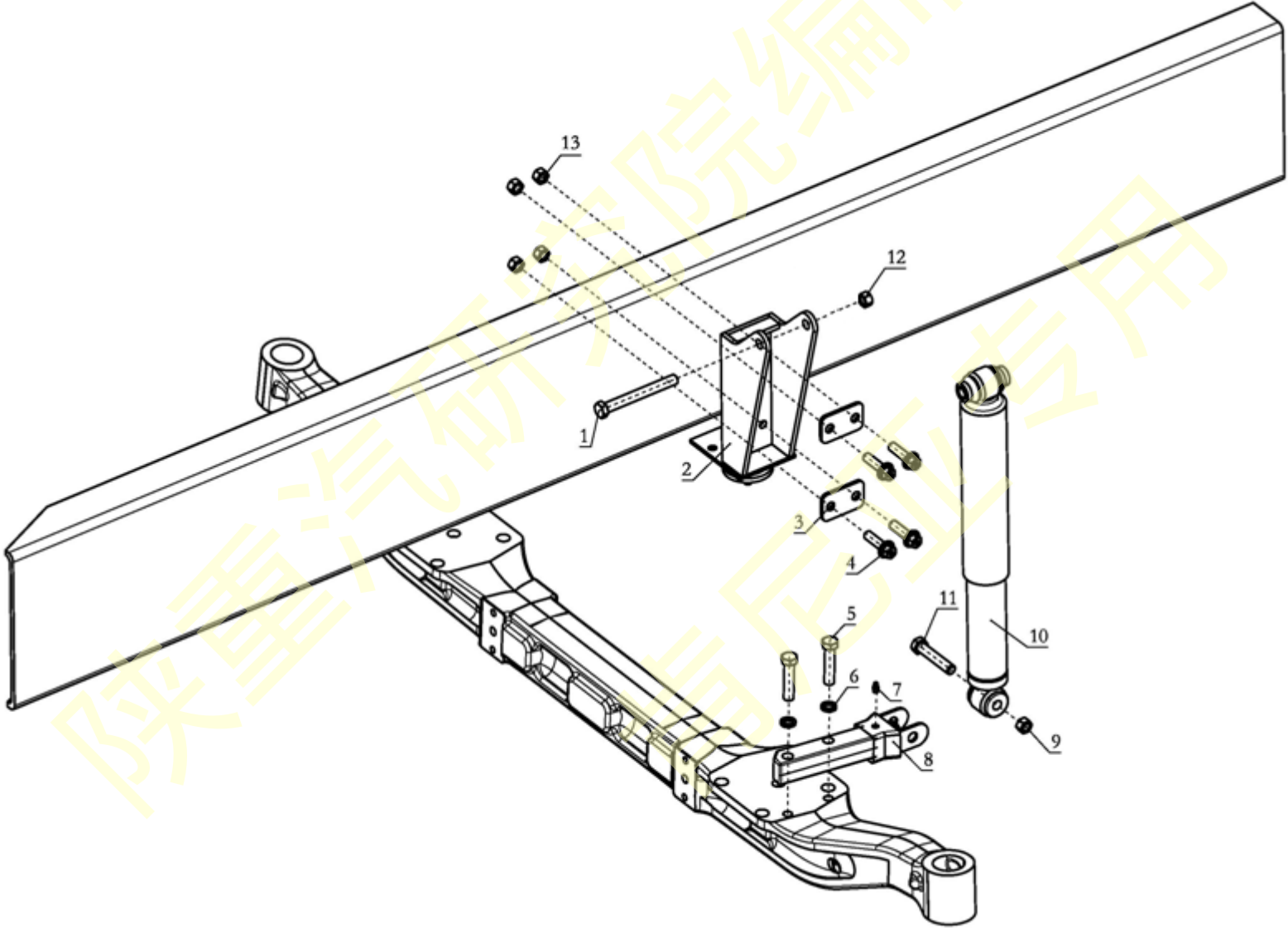
前支承弹簧 FRONT BEARING SPRING



前支承弹簧 SPRING

| 序号 NO | 件号 Part.No | 名称 Designation | Name | 数量 Quantity | 适用车型 Suited type | 备注 Remark |
|----------|---------------|-------------------|--------------|----------------|---------------------|--------------|
| 1 | DZ13241430150 | 前悬减震器 | Spring strut | 2 | | |
| 2 | Q151B1475 | 六角头螺栓 | Hex bolt | 2 | | |
| 3 | 190003888458 | 螺 母 | Hex lock nut | 2 | | |
| 4 | 81.97401.0920 | 卡 箍 | clip | 1 | | |
| 5 | 81.41722.6036 | 减震器 | Spring strut | 1 | | |
| 6 | Q150B1250 | 六角头螺栓 | Hex lock nut | 2 | | |
| 7 | Q33212 | 2 型全金属六角锁紧螺母 | Hex lock nut | 2 | | |
| 8 | 81.97401.0919 | 卡箍 | clip | 1 | | |
| 9 | Q150B1045 | 六角头螺栓 | Hex bolt | 2 | | |
| 10 | Q150B1050 | 六角头螺栓 | Hex bolt | 2 | | |
| 11 | Q33410 | 2 型全金属六角锁紧螺母 | Hex lock nut | 4 | | |

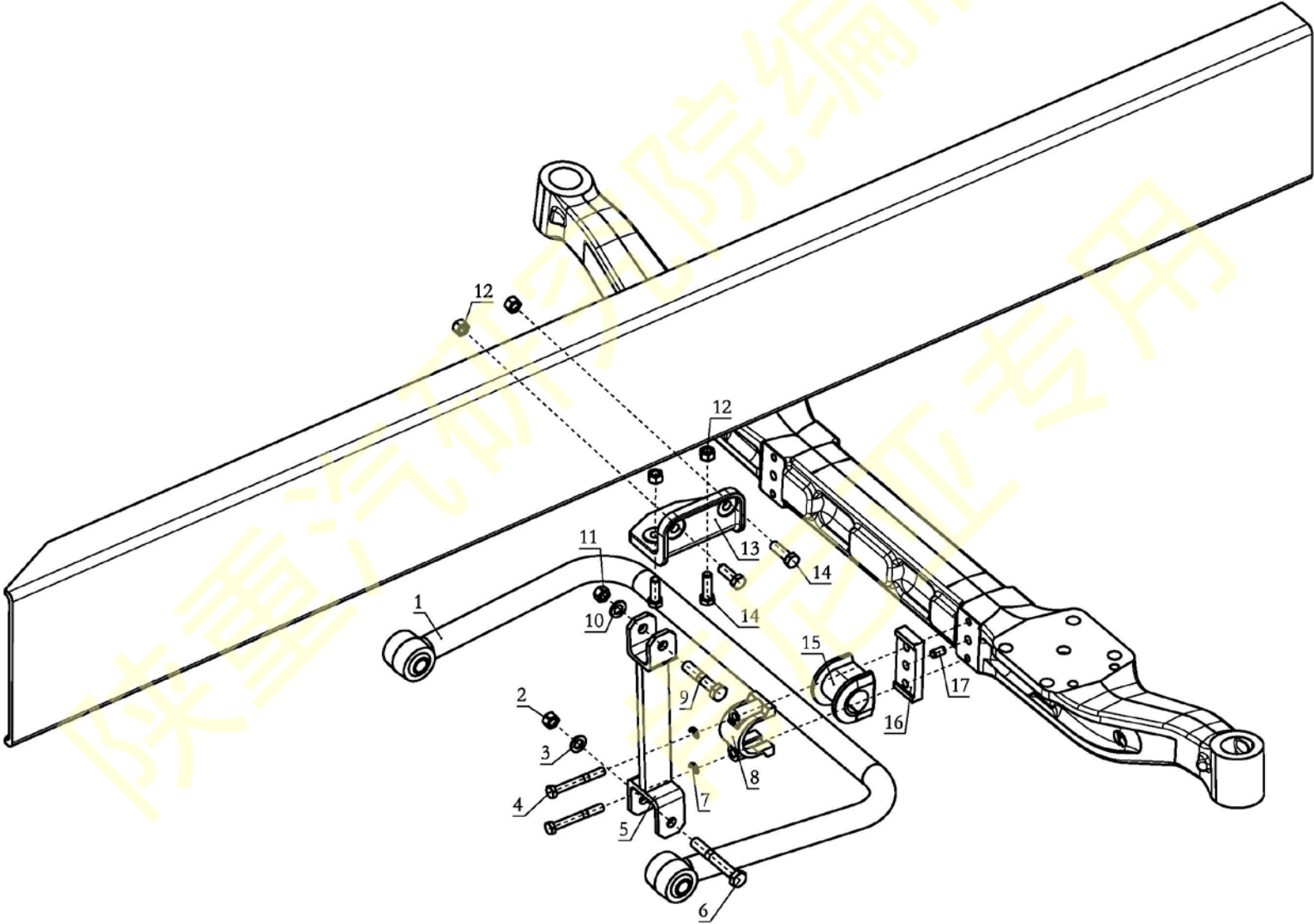
前減振器 FRONT SHOCK ABSORBER



前减振器 FRONT SHOCK ABSORBER

| 序号 NO | 件号 Part.No | 名称 Designation | Name | 数量 Quantity | 适用车型 Suited type | 备注 Remark |
|----------|----------------------|-------------------|--|----------------|---------------------|--------------|
| 1 | Q151B16130TF3 | 六角头螺栓-细牙 | Hexagon head bolt-fine teeth | 2 | | |
| 2 | <u>DZ91259680105</u> | 减振器支架分装总成 | Shock absorber support assembly | 2 | | |
| 3 | 199100680021 | 垫板 | Cushion plate | 4 | | |
| 4 | Q151C1245T1F3 | 六角头螺栓-细牙 | Hexagon head bolt-fine teeth | 8 | | |
| 5 | Q151B1660T1F3 | 六角头螺栓-细牙 | Hexagon head bolt-fine teeth | 4 | | |
| 6 | Q40316 | 弹簧垫圈 | Spring washer | 4 | | |
| 7 | 190003963112 | 米制锥螺纹滑脂嘴 | Metric taper thread grease nozzles | 2 | | |
| 8 | DZ9100680110 | 前桥减振器支架分装总成 | Front axle shock absorber support assembly | 2 | | |
| 9 | 190003888459 | 自锁螺母 | Self-locking nut | 2 | | |
| 10 | 199112680014 | 减振器 | Shock absorber | 2 | | |
| 11 | 199012680009 | 螺栓 | Bolt | 2 | | |
| 12 | 190003888459 | 自锁螺母 | Self-locking nut | 2 | | |
| 13 | 190003888457 | 自锁螺母 | Self-locking nut | 8 | | |

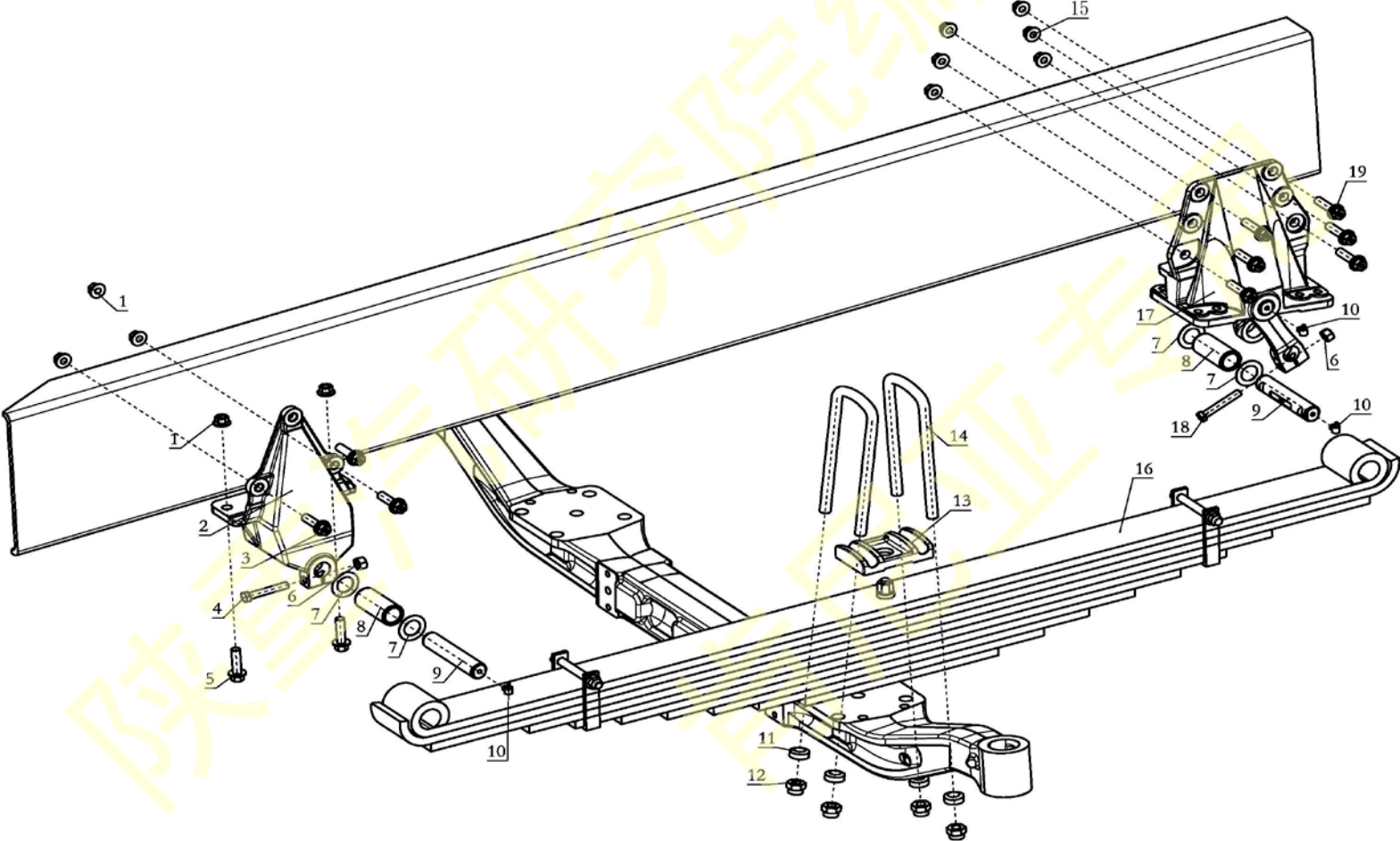
前稳定杆总成 FRONT STABILIZER ASSY



前稳定杆总成 FRONT STABILIZER ASSY

| 序号 NO | 件号 Part.No | 名称 Designation | Name | 数量 Quantity | 适用车型 Suited type | 备注 Remark |
|----------|-------------------|-------------------|--|----------------|---------------------|--------------|
| 1 | DZ9100680050 | 横向稳定杆总成 | Transverse stabilizer rod assembly | 1 | | |
| 2 | 190003888458 | 自锁螺母 | Self-locking nut | 2 | | |
| 3 | Q40114 | 平垫圈 | Flat washer | 2 | | |
| 4 | Q150B1295TF3 | 六角头螺栓 | Hexagon headed bolt | 4 | | |
| 5 | 199100680069 | 螺栓 | Bolt | 2 | | |
| 6 | DZ91189681345 | 前稳定杆吊板总成 | Front stabilizer rod hoisting board assembly | 2 | | |
| 7 | Q40312 | 弹簧垫圈 | Spring washer | 4 | | |
| 8 | DZ9100680024 | 固定夹块 | Fixed clamp | 2 | | |
| 9 | 199100680057 | 螺栓 | Bolt | 2 | | |
| 10 | Q40016 | 小垫圈 | Small washer | 2 | | |
| 11 | 190003888459 | 自锁螺母 | Self-locking nut | 2 | | |
| 12 | 190003888457 | 自锁螺母 | Self-locking nut | 8 | | |
| 13 | DZ9114680138 | 支架总成 | Support assembly | 2 | | |
| 14 | Q151C1240T1F3 | 六角头螺栓-细牙 | Hexagon head bolt-fine teeth | 8 | | |
| 15 | 199100680068 | 橡胶轴承 | Rubber bearing | 2 | | |
| 16 | DZ9100680027 | 垫板 | Cushion plate | 2 | | |
| 17 | <u>SXQ5211424</u> | 圆柱销 | Cylindrical pin | 2 | | |

前悬架 FRONT SUSPENSION

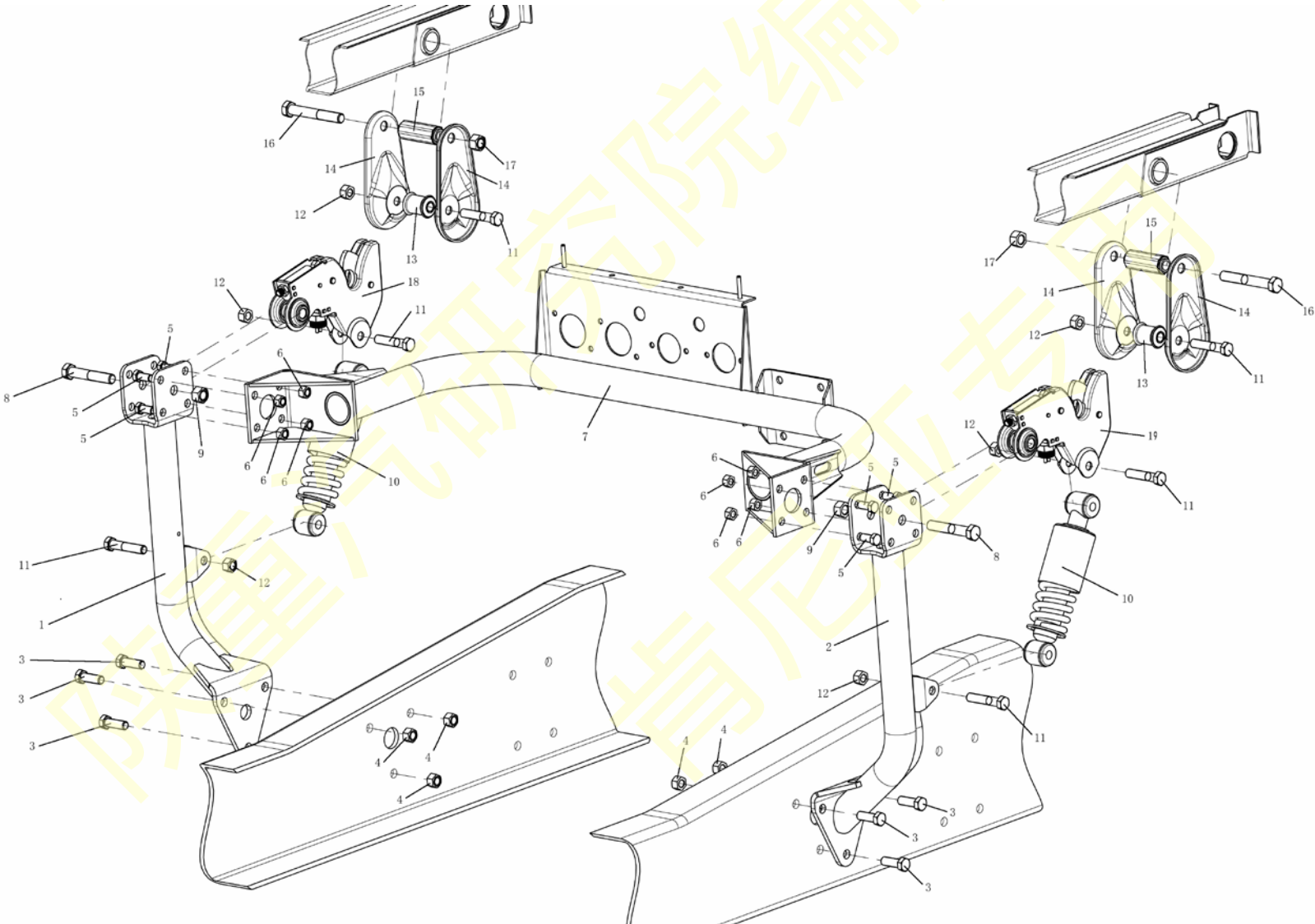


前悬架 FRONT SUSPENSION

| 序号 NO | 件号 Part.No | 名称 Designation | Name | 数量 Quantity | 适用车型 Suited type | 备注 Remark |
|----------|---------------|-------------------|--|----------------|---------------------|--------------|
| 1 | 190003888458 | 自锁螺母 | Self-locking nut | 10 | | |
| 2 | DZ9114520012 | 前簧前支架 | Front spring support | 2 | | |
| 3 | Q151B1465T1F3 | 六角头螺栓-细牙 | Hexagon head bolt-fine teeth | 6 | | |
| 4 | Q151C1275T1F3 | 六角头螺栓-细牙 | Hexagon head bolt-fine teeth | 2 | | |
| 5 | Q151B1450T1F3 | 六角头螺栓-细牙 | Hexagon head bolt-fine teeth | 4 | | |
| 6 | 190003888457 | 自锁螺母 | Self-locking nut | 6 | | |
| 7 | 168000520050 | 垫圈 | Washer | 8 | | |
| 8 | 199000520078 | 衬套 | Bushing | 4 | | |
| 9 | 199100520065 | 弹簧销 | Spring pin | 3 | | |
| | DZ9100520007 | 弹簧销 | Spring pin | 1 | | 安装于车架右侧前簧支架 |
| 10 | 190003963124 | 米制锥螺纹滑脂嘴 | Metric taper thread grease nozzles | 3 | | |
| | 190003963127 | 米制锥螺纹滑脂嘴 | Metric taper thread grease nozzles | 3 | | |
| 11 | 168000520056 | 垫圈 | Washer | 8 | | |
| 12 | 190003888626 | 自锁螺母 | Self-locking nut | 8 | | |
| 13 | 188000520002 | 前簧压板 | Front spring plate | 2 | | |
| 14 | 199014520259 | 前簧骑马螺栓 | Front spring riding bolt | 4 | | |
| 15 | 190003888459 | 自锁螺母 | Self-locking nut | 12 | | |
| 16 | DZ9100529008 | 前左钢板弹簧总成 | Front and left leaf spring assembly | 1 | | |
| | DZ9100529009 | 前右钢板弹簧总成 | Front right leaf spring assembly | 1 | | |
| 17 | DZ9114520143 | 前簧左后支架分装总成 | Front spring left rear support assembly | 1 | | |
| | DZ9114520144 | 前簧右后支架分装总成 | Front spring right rear support assembly | 1 | | |
| 18 | Q151C1270T1F3 | 六角头螺栓-细牙 | Hexagon head bolt-fine teeth | 2 | | |
| 19 | Q151B1650T1F3 | 六角头螺栓-细牙 | Hexagon head bolt-fine teeth | 12 | | |

后悬架 (+悬浮悬架) Afte the suspension

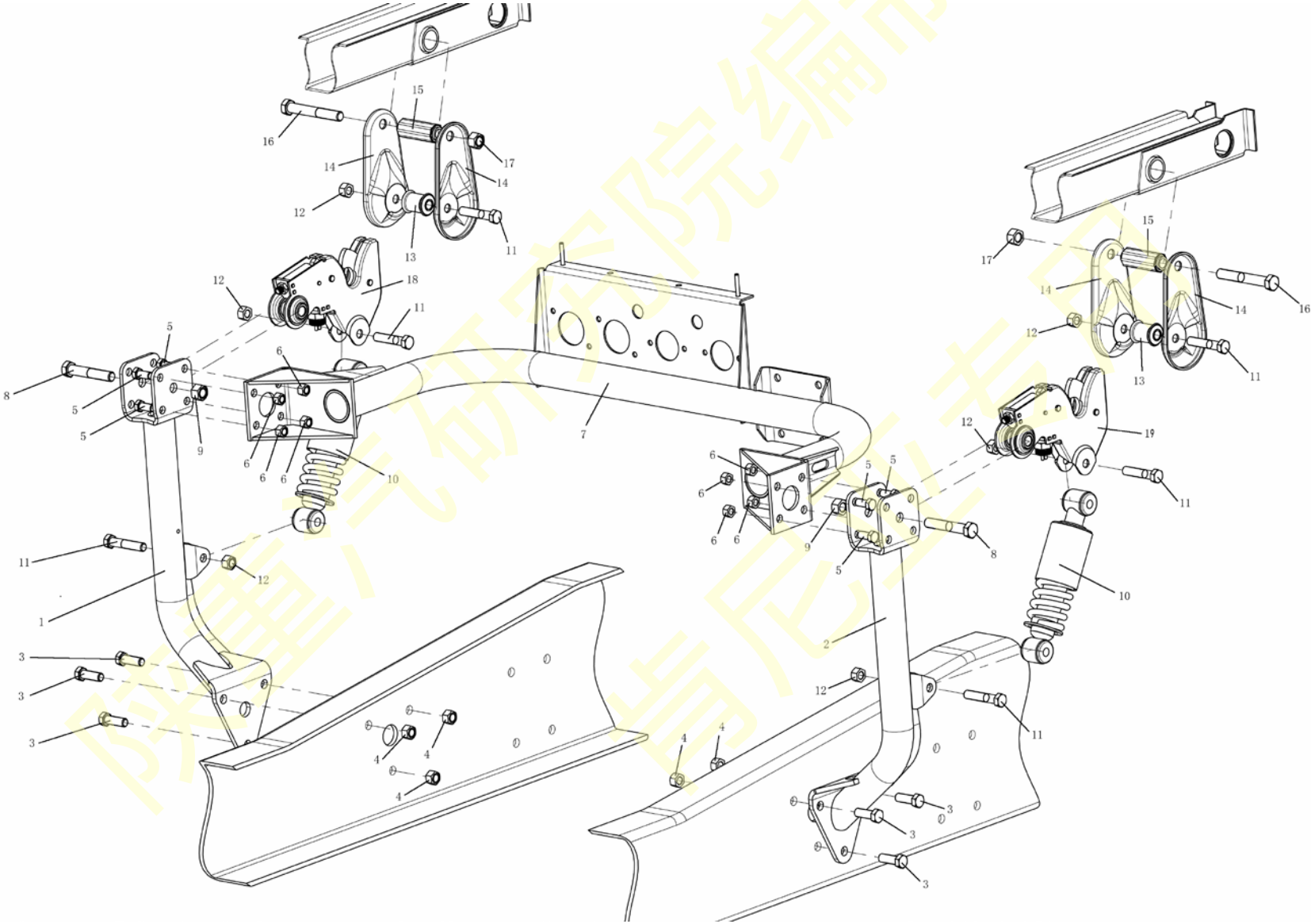
驾驶室锁紧机构 CAB LOCKING DEVICE



驾驶室锁紧机构 CAB LOCKING DEVICE

| 序号 NO | 件号 Part.No | 名称 Designation | Name | 数量 Quantity | 适用车型 Suited type | 备注 Remark |
|----------|---------------|-------------------|-----------------------|----------------|---------------------|---------------|
| 1 | DZ1640440220 | 左后悬置支架总成 | Cab support assembly | 1 | 不抬高 | |
| 1 | DZ1640440210 | 左后悬置支架总成 | Cab support assembly | 1 | 抬高 41 | |
| 1 | DZ1640440150 | 左后悬置支架总成 | Cab support assembly | 1 | 抬高 70 | |
| 1 | DZ13241440291 | 左后悬置支架总成 | Cab support assembly | 1 | 抬高 70 | /850/+70/支座优化 |
| 2 | DZ1640440225 | 右后悬置支架总成 | Cab support assembly | 1 | 不抬高 | |
| 2 | DZ1640440215 | 右后悬置支架总成 | Cab support assembly | 1 | 抬高 41 | |
| 2 | DZ1640440160 | 右后悬置支架总成 | Cab support assembly | 1 | 抬高 70 | |
| 2 | DZ13241440292 | 右后悬置支架总成 | Cab support assembly | 1 | 抬高 70 | /850/+70/支座优化 |
| 3 | 151B1440 | 六角头螺栓 | ex lock screw | 6 | | |
| 4 | 190003888458 | I 型全金属六角锁紧螺母 | Hex lock nut | 6 | | |
| 5 | Q150B1225 | 六角头螺栓 | Hex bolt low type | 8 | | |
| 6 | Q33412 | I 型全金属六角锁紧螺母 | Hex lock nut | 8 | | |
| 7 | SZ144000007 | 固定横梁总成 | Cross member assembly | 1 | D 驾驶室 | |
| 7 | DZ13241440071 | 固定横梁总成 | Cross member assembly | 1 | D 驾驶室无水箱 | |
| 7 | DZ1640440085 | 固定横梁总成 | Cross member assembly | 1 | | |
| 7 | DZ13241440014 | 固定横梁总成 | Cross member assembly | 1 | | |
| 8 | Q151B1690 | 六角头螺柱 | Hex shoulder stud | 2 | | |
| 9 | Q33416 | I 型全金属六角锁紧螺母 | Hex lock nut | 2 | | |
| 10 | DZ13241440150 | 后悬减振器 | Spring strut | 2 | | |
| 11 | Q151B1470 | 六角头螺栓 | Hex bolt | 6 | | |
| 12 | 190003888458 | I 型全金属六角锁紧螺母 | Hex lock nut | 6 | | |

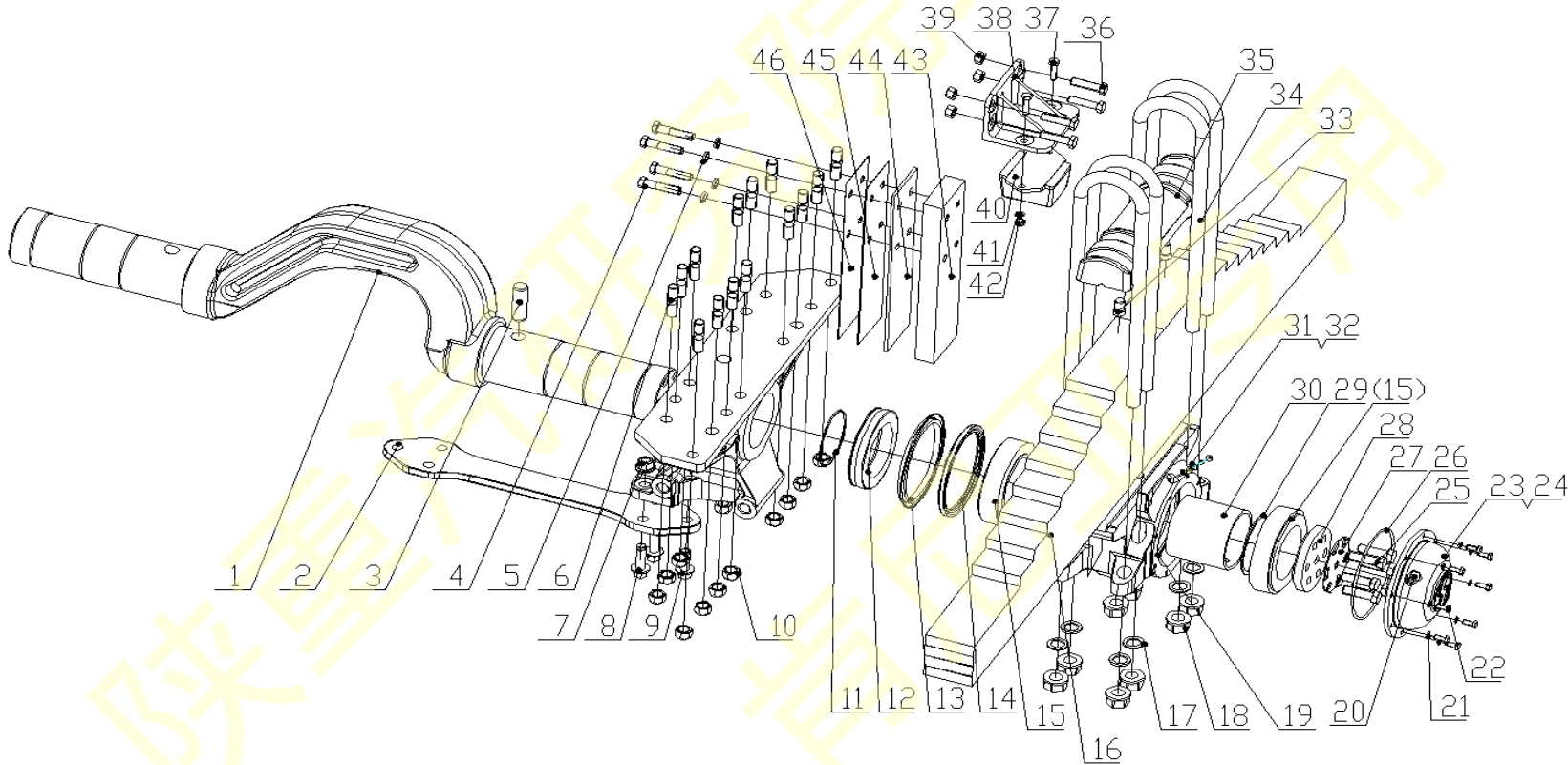
驾驶室锁紧机构 CAB LOCKING DEVICE



驾驶室锁紧机构 CAB LOCKING DEVICE

| 序号 NO | 件号 Part.No | 名称 Designation | Name | 数量 Quantity | 适用车型 Suited type | 备注 Remark |
|----------|---------------|-------------------|-------------------|----------------|---------------------|--------------|
| 13 | 81.96210.0462 | 橡胶套筒 | Rubber pad | 2 | | |
| 14 | 81.61851.0008 | 凹板 | Striker plate | 4 | | |
| 15 | 81.96210.0364 | 套筒 | Silent block | 2 | | |
| 16 | Q151B16110 | 六角头螺柱 | Hex shoulder stud | 2 | | |
| 17 | Q33416 | I型全金属六角锁紧螺母 | Hex lock nut | 2 | | |
| 18 | SZ144000756 | 驾驶室锁止 | Cab lock | 1 | | |
| 19 | DZ13241440032 | 无信号驾驶室锁止 | Cab lock | 1 | | |

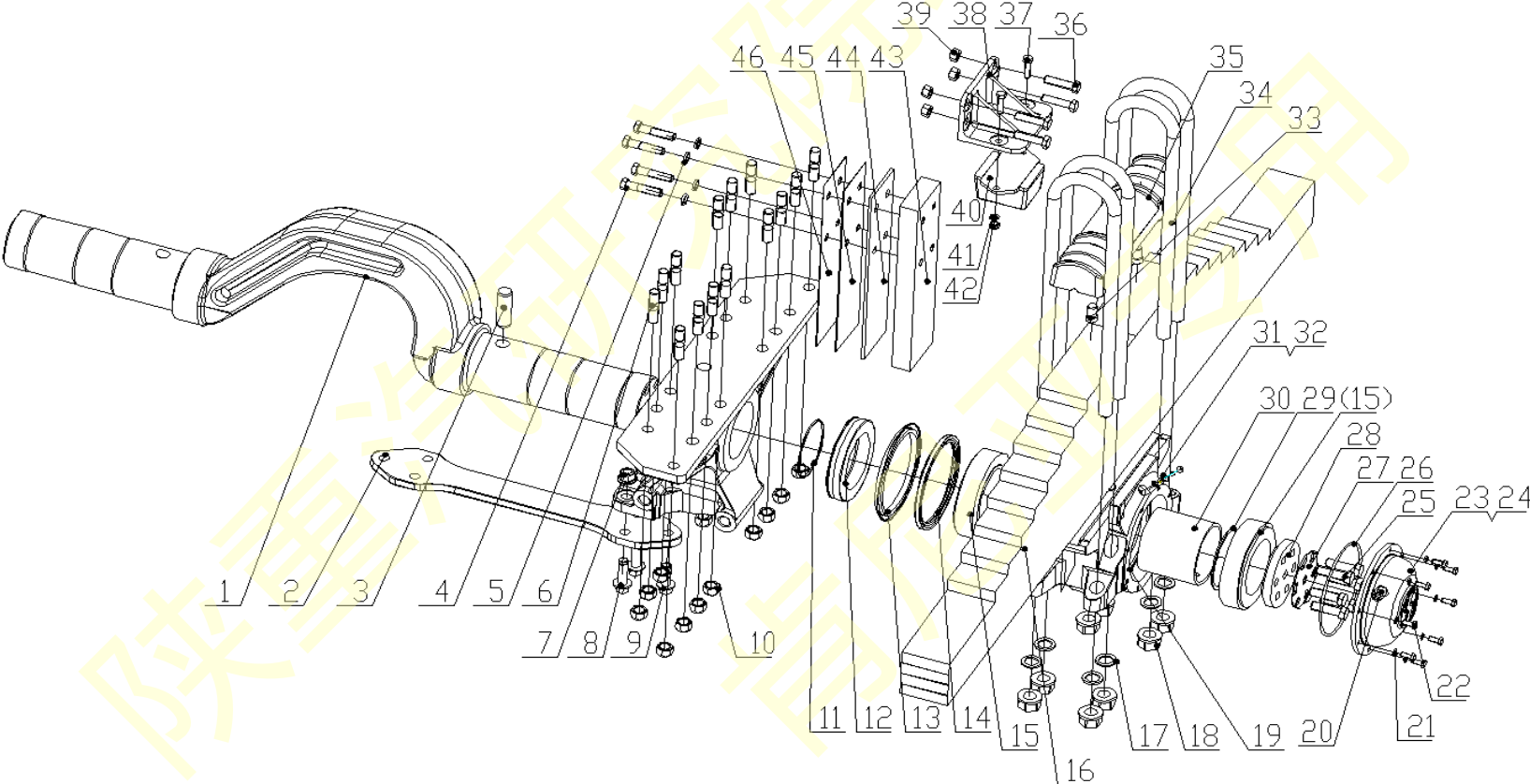
后悬架 REAR SUSPENSION I



后悬架 REAR SUSPENSION I

| 序号 NO | 件号 Part.No | 名称 Designation | Name | 数量 Quantity | 适用车型 Suited type | 备注 Remark |
|----------|---------------|--|--|----------------|---------------------|--------------|
| 1 | DZ95259520832 | 平衡轴 | Balance shaft | 1 | | |
| 2 | DZ95259520826 | 支架下连接板 | Bracket connection plate | 1 | | |
| 3 | 190003900007 | 圆柱销-销 GB119-86-A25X80 | Cylindrical pin | 2 | | |
| 4 | Q151B1455T1F3 | 六角头螺栓-细牙 | Hexagon head bolt-fine teeth | 16 | | |
| 5 | Q40314 | 弹簧垫圈 | Spring washer | 16 | | |
| 6 | 199014520227 | 双头螺栓 | Double head bolt | 28 | | |
| 7 | Q33016T13F2 | 全金属六角法兰面锁紧螺母 | All metal hexagonal flange face locking nut | 6 | | |
| 8 | Q1801660TF2 | 六角法兰面承面带齿螺栓 | Hexagon flange face bearing face with tooth bolt | 4 | | |
| 9 | Q1801645TF2 | 六角法兰面承面带齿螺栓 | Hexagon flange face bearing face with tooth bolt | 2 | | |
| 10 | 190003871353 | 1 型六角螺母-细牙-A--螺母 GB6171-86-M18*1.5-10-ZnD | Type 1 Hexagon Nut-Fine teeth -A--Nut | 28 | | |
| 11 | DZ91259520504 | 密封圈 | Sealing ring | 2 | | |
| 12 | 199114520136 | 轴承油封盖 | Bearing oil seal | 2 | | |
| 13 | DZ91259520502 | 型环 | Type ring | 2 | | |
| 14 | DZ91259520506 | 轴密封圈 | Shaft seal ring | 2 | | |
| 15 | 199114520042 | 球面轴承 | Spherical bearing | 4 | | |
| 16 | DZ9114520240 | 后钢板弹簧总成 | Rear leaf spring assembly | 2 | | |
| 17 | 188000340022 | 垫圈 | Washer | 16 | | |
| 18 | 190003888749 | 自锁薄螺母 | Self-locking thin nut | 16 | | |
| 19 | DZ91259520038 | 平衡轴壳 | Balance shaft shell | 2 | | |
| 20 | 190003962021 | 锥螺纹内六角螺塞 | Inner hexagonal screw plug with conical thread | 2 | | |
| 21 | Q40308 | 弹簧垫圈 | Spring washer | 16 | | |
| 22 | Q150B0820T1F3 | 六角头螺栓 | Hexagon headed bolt | 16 | | |
| 23 | DZ91259520211 | 壳盖（左） | Shell cover (left) | 1 | | |
| 24 | DZ91259520212 | 壳盖（右） | Shell cover (right) | 1 | | |
| 25 | Q151B1850TF2 | 六角头螺栓-细牙 | Hexagon head bolt-fine teeth | 12 | | |
| 26 | DZ91259520505 | O 形密封圈 | O-shaped sealing ring | 2 | | |
| 27 | DZ95259520845 | 止动垫圈 | Stop washer | 2 | | |

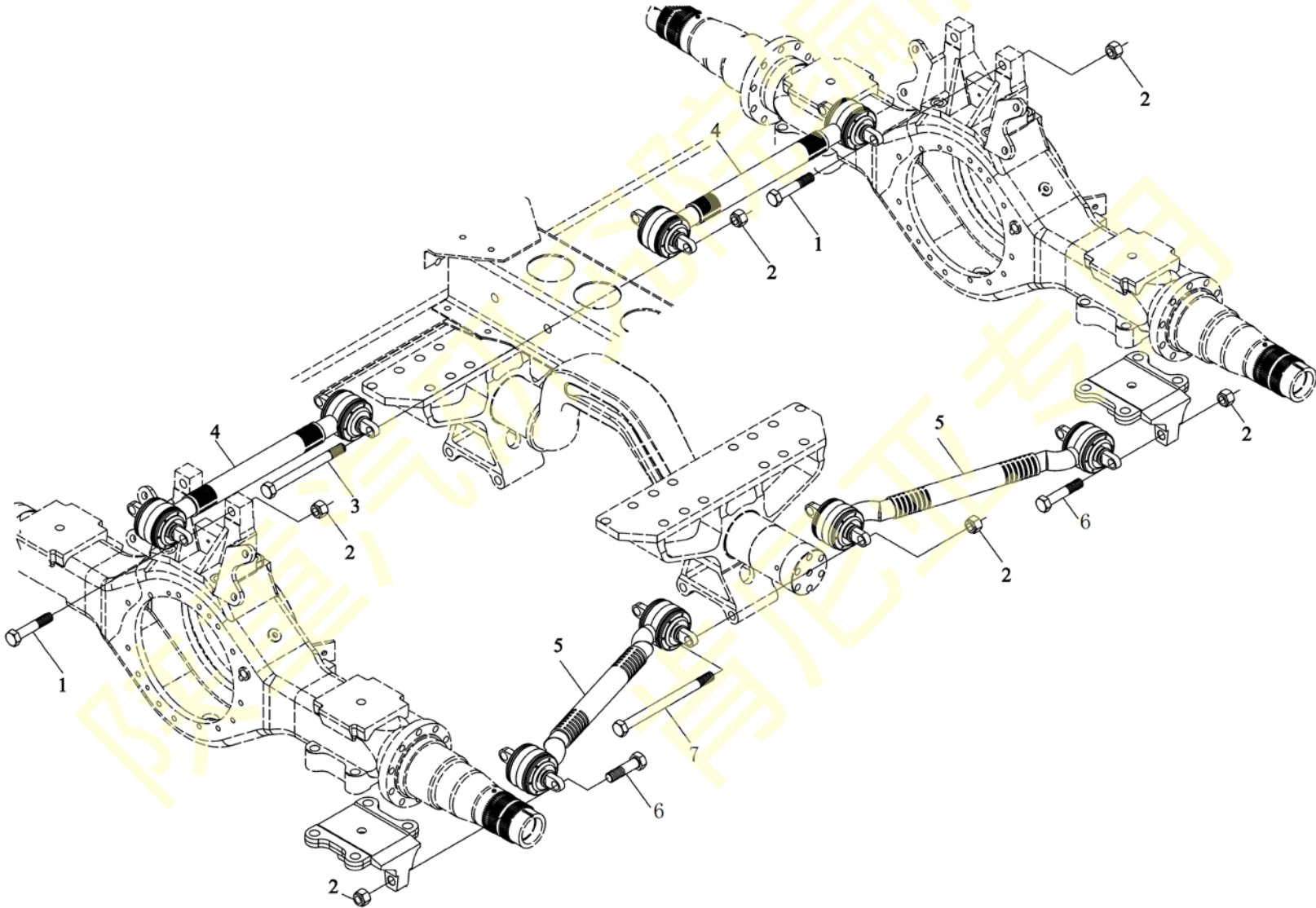
后悬架 REAR SUSPENSION I



后悬架 REAR SUSPENSION I

| 序号 NO | 件号 Part.No | 名称 Designation | Name | 数量 Quantity | 适用车型 Suited type | 备注 Remark |
|----------|----------------|-------------------|---------------------------------|----------------|---------------------|--------------|
| 28 | DZ95259520844 | 轴承压块 | Bearing block | 2 | | |
| 29 | 199014520192 | 定位垫圈 | Positioning washer | 2 | | 按需 |
| | 199014520193 | 定位垫圈 | Positioning washer | 2 | | 按需 |
| | 199014520194 | 定位垫圈 | Positioning washer | 2 | | 按需 |
| | 199014520303 | 定位垫圈 | Positioning washer | 2 | | 按需 |
| | 199014520306 | 定位垫圈 | Positioning washer | 2 | | 按需 |
| | 199114520059 | 定位垫圈 | Positioning washer | 2 | | 按需 |
| | AZ9100520008 | 定位垫圈 | Positioning washer | 2 | | 按需 |
| 30 | 199014520191 | 间隔衬套 | Spacer bushing | 2 | | |
| 31 | Q150B0810 | 六角头螺栓 | Hexagon headed bolt | 2 | | |
| 32 | Q72308 | 密封垫圈 | Sealing washer | 2 | | |
| 33 | 199000520006 | 导向销 | Guide pin | 2 | | |
| 34 | DZ9118520124 | 后簧骑马螺栓 | Rear spring riding bolt | 4 | | |
| 35 | SZ952000770 | 骑马螺栓座 | Riding bolt seat | 8 | | |
| 36 | Q151B1455TF3 | 六角头螺栓 | Hexagon headed bolt | 16 | | |
| 37 | Q150B1040T1F3Q | 六角头螺栓 | Hexagon headed bolt | 8 | | |
| 38 | DZ9114521011 | 缓冲块支架 | Buffer block bracket | 4 | | |
| 39 | 190003888458 | 自锁螺母 | Self-locking nut | 16 | | |
| 40 | SZ952000730 | 后桥缓冲块总成 | Rear axle buffer block assembly | 4 | | |
| 41 | Q40310 | 弹簧垫圈 | Spring washer | 8 | | |
| 42 | Q340B10T2F3 | 1型六角螺母 | Type 1 hexagonal nut | 8 | | |
| 43 | DZ9114520259 | 导向板 | Guide plate | 4 | | |
| 44 | DZ9114520248 | 平衡板 | Balancing plate | 4 | | 按需 |
| 45 | DZ9114520249 | 平衡板 | Balancing plate | 4 | | 按需 |
| 46 | DZ9114520250 | 平衡板 | Balancing plate | 4 | | 按需 |

后悬架 REAR SUSPENSION II

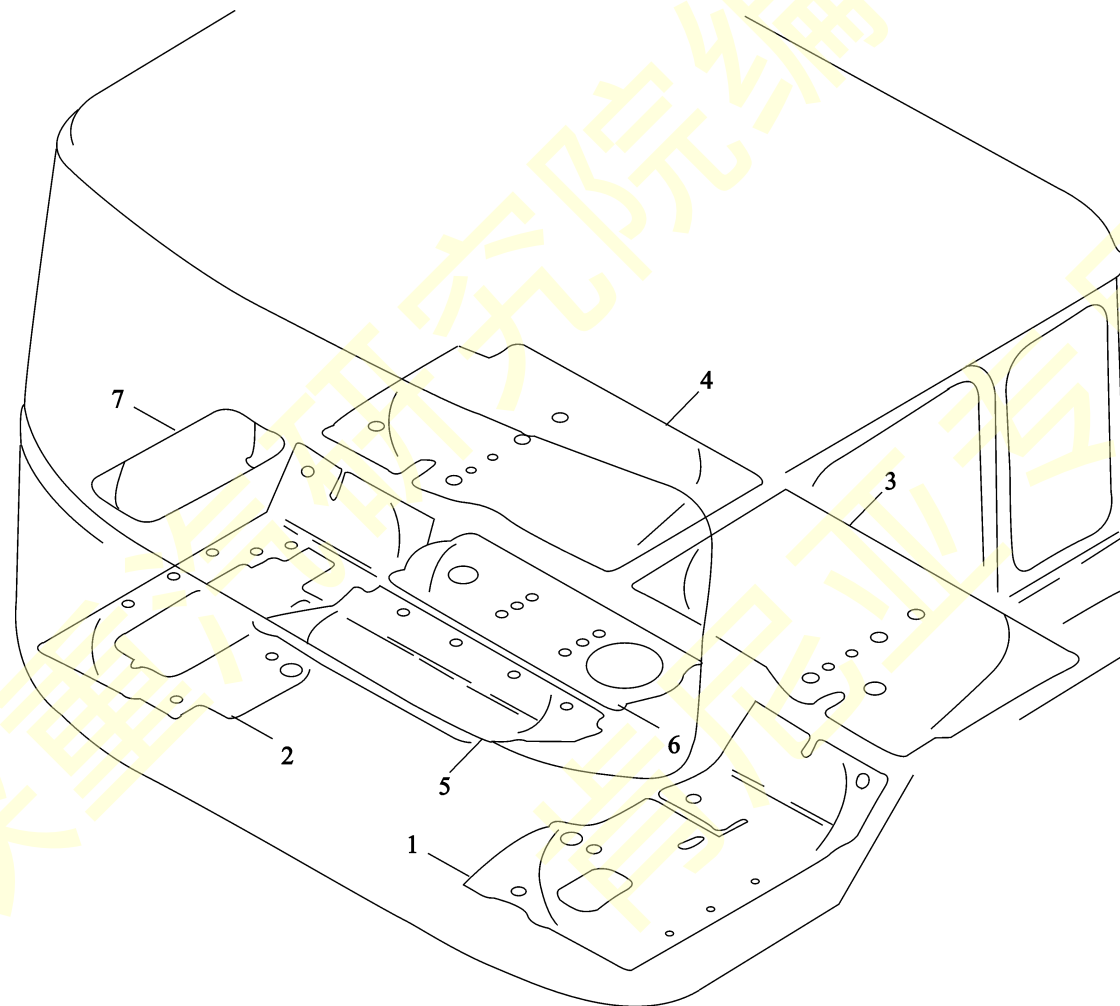


后悬架 REAR SUSPENSION II

| 序号 NO | 件号 Part.No | 名称 Designation | Name | 数量 Quantity | 适用车型 Suited type | 备注 Remark |
|----------|---------------|------------------------|------------------------------|----------------|---------------------|--------------|
| 1 | Q151B20100TF3 | 六角头螺栓-细牙 | Hexagon head bolt-fine teeth | 4 | | |
| 2 | DZ91259527020 | DTF 六角凸缘螺母 M20×1.5 -10 | DTF hexagonal flange nut | 18 | | |
| 3 | Q151B20240TF3 | 六角头螺栓 | Hexagon headed bolt | 2 | | |
| 4 | DZ91259525274 | 上推力杆总成 | Upper thrust rod assembly | 2 | | |
| 5 | DZ91259525275 | 下推力杆总成 | Lower thrust rod assembly | 4 | | |
| 6 | Q151B2090TF3 | 六角头螺栓 | Hexagon headed bolt | 8 | | |
| 7 | Q151B20200 | 六角头螺栓-细牙 | Hexagon head bolt-fine teeth | 4 | | |

減震器及穩定裝置 Shock absorber and stabilizer

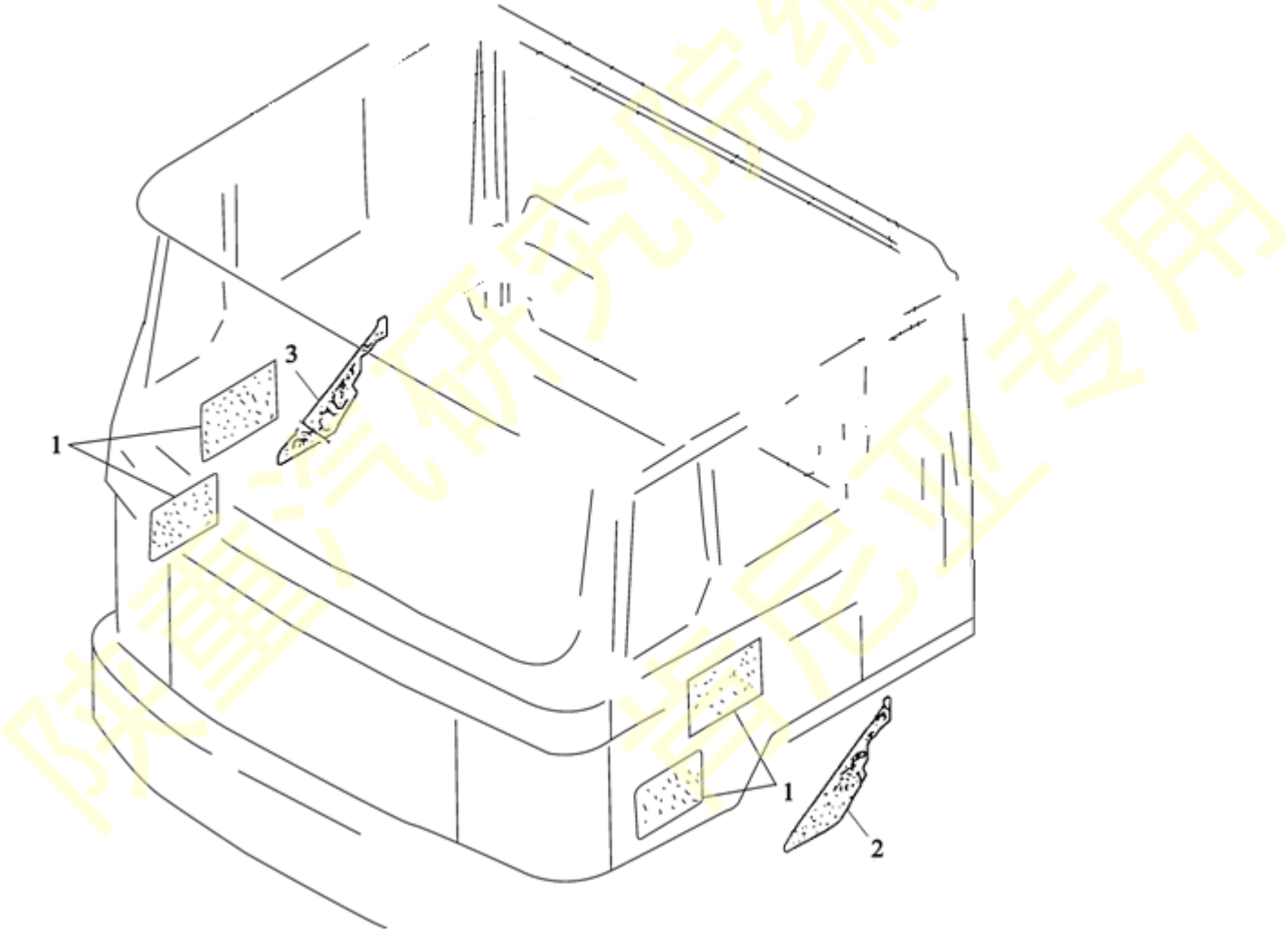
減振板 MELT-ON FOIL



减振板 MELT-ON FOIL

| 序号 NO | 件号 Part.No | 名称 Designation | Name | 数量 Quantity | 适用车型 Suited type | 备注 Remark |
|----------|---------------|-------------------|-------------------------|----------------|---------------------|--------------|
| 1 | 81.62850.2219 | 左前减振板 | melt-on foil | 1 | | |
| 2 | 81.62850.2222 | 右前减振板 | melt-on foil | 1 | | |
| 3 | DZ13241910027 | 左后阻尼板 | melt-on foil left rear | 1 | | |
| 4 | DZ13241910028 | 右后阻尼板 | melt-on foil right rear | 1 | | |
| 5 | 81.62850.2206 | 前减振板 | melt-on foil front | 1 | | |
| 6 | 81.62850.2208 | 后减振板 | melt-on foil rear | 1 | | |
| 7 | 81.62850.2182 | 减振板 | melt-on roil | 1 | | |

隔音材料 SOUND PROOFING

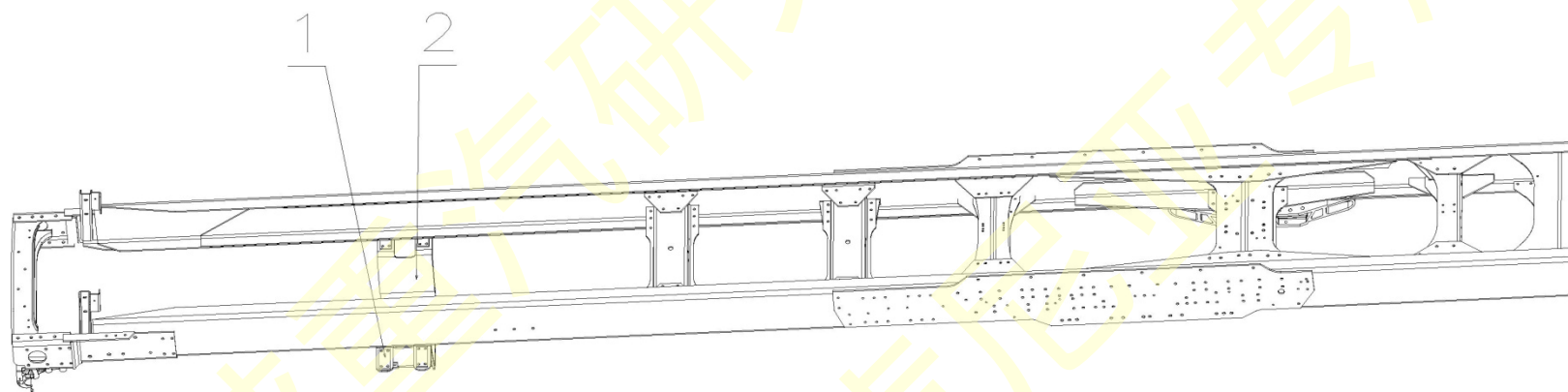


隔音材料 SOUND PROOFING

| 序号 NO | 件号 Part.No | 名称 Designation | Name | 数量 Quantity | 适用车型 Suited type | 备注 Remark |
|----------|---------------|-------------------|-------------------------------|----------------|---------------------|--------------|
| 1 | 81.62571.2043 | 阻尼板 | Damping plate | 4 | | 320*200*2.5 |
| 2 | 81.62860.0577 | 左侧围阻尼板 | Side wall carpeting f90 left | 1 | | |
| 3 | 81.62860.0578 | 右侧围阻尼板 | Side wall carpeting f90 right | 1 | | |

车架 The frame

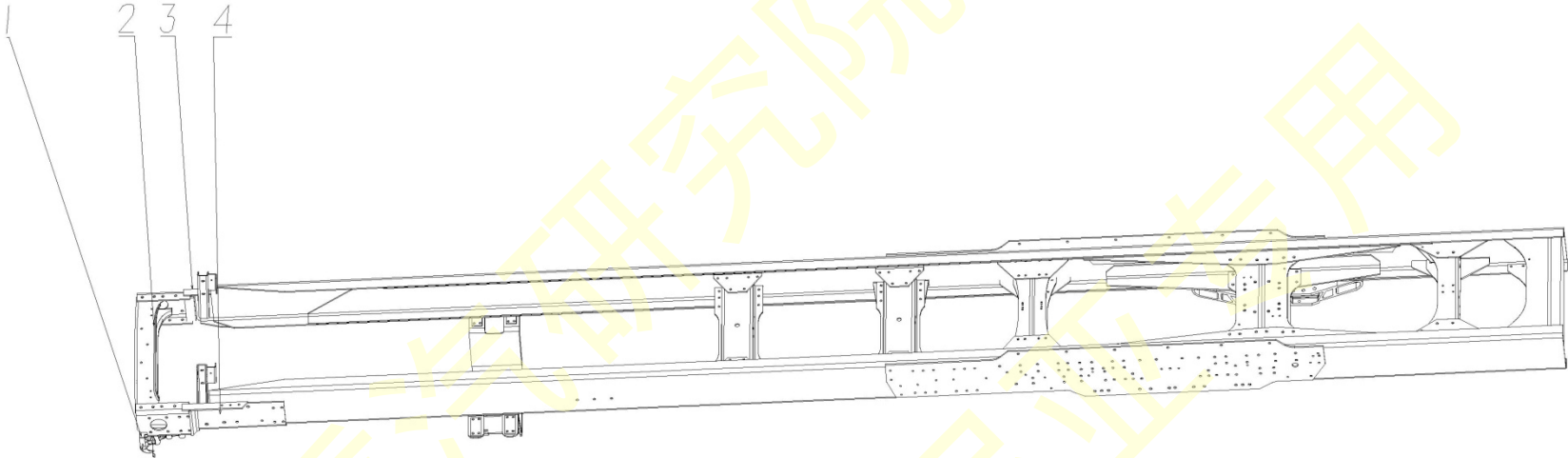
车架辅助横梁 FRAM ASSISTANT CROSS MEMBER



车架辅助横梁 FRAM ASSISTANT CROSS MEMBER

| 序号 NO | 件号 Part.No | 名称 Designation | Name | 数量 Quantity | 适用车型 Suited type | 备注 Remark |
|----------|---------------|-------------------|-------------------|----------------|---------------------|--------------|
| 1 | 199100520025 | 板 | Plate | 4 | WP10 | F2000 自卸车 |
| 2 | DZ9114510220 | 横梁总成 | Cross member assy | 1 | | |

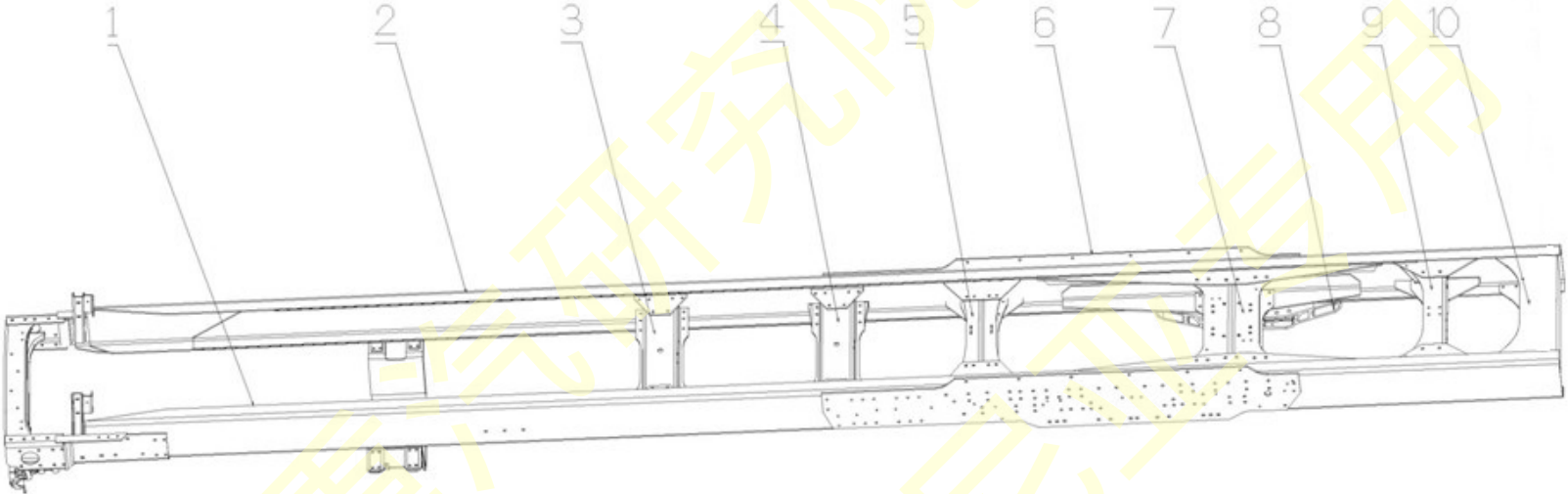
车架前端附件 FRAM FOREPART ACCESSORY



车架前端附件 FRAM FOREPART ACCESSORY

| 序号 NO | 件号 Part.No | 名称 Designation | Name | 数量 Quantity | 适用车型 Suited type | 备注 Remark |
|----------|---------------|-------------------|-----------------------------|----------------|---------------------|--------------|
| 1 | DZ9114930230 | 支架 | Support | 1 | | |
| 2 | DZ93189510202 | 前横梁 | Front cross member assy | | | |
| 3 | DZ9114931140 | 保险杠托架总成（右） | Synthetic bumper bracket(R) | | | |
| 4 | DZ9114931130 | 保险杠托架总成（左） | Synthetic bumper bracket(L) | | | |

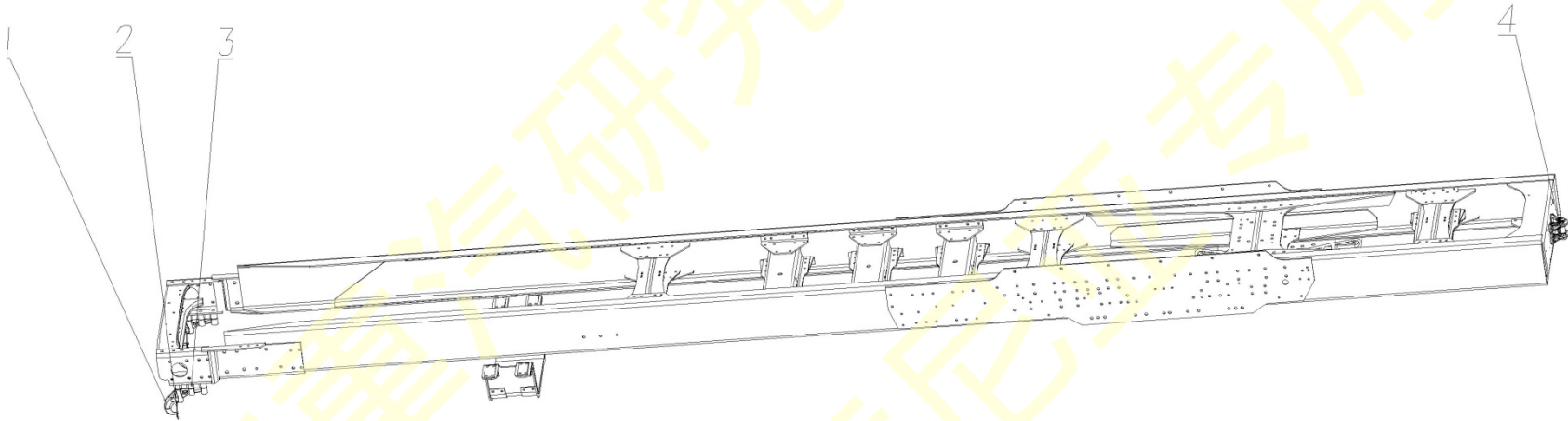
车架总成 FRAM ASSY



车架总成 FRAM ASSY

| 序号 NO | 件号 Part.No | 名称 Designation | Name | 数量 Quantity | 适用车型 Suited type | 备注 Remark |
|----------|---------------|-------------------|------------------------|----------------|---------------------|--------------|
| | DZ93259510080 | 车架总成 | Fram assey | 1 | K38/6*4 | 德龙 F2000 自卸车 |
| 1 | DZ9114517951 | 左纵梁总成 | Left carling assy | 1 | | |
| 2 | DZ9114517952 | 右纵梁总成 | Right carling assy | 1 | | |
| 3 | DZ9114518430 | 横梁总成 | cross member assy | 1 | | |
| 4 | DZ9114518440 | 横梁总成 | cross member assy | 1 | | |
| 5 | DZ9118510035 | 横梁总成 | cross member assy | 1 | | |
| 6 | DZ91259510001 | 支撑板 | Support plate | 2 | | |
| 7 | DZ9114516680 | 横梁总成 | Cross member assy | 1 | | |
| 8 | DZ9114510011 | 中间支座 | Connecting base | 2 | | |
| 9 | DZ93259511020 | 横梁总成 | Cross member assy | 1 | | |
| 10 | DZ9114511670 | 尾梁总成 | Rear cross member assy | 1 | | |

牵引装置 DRAW GEAR

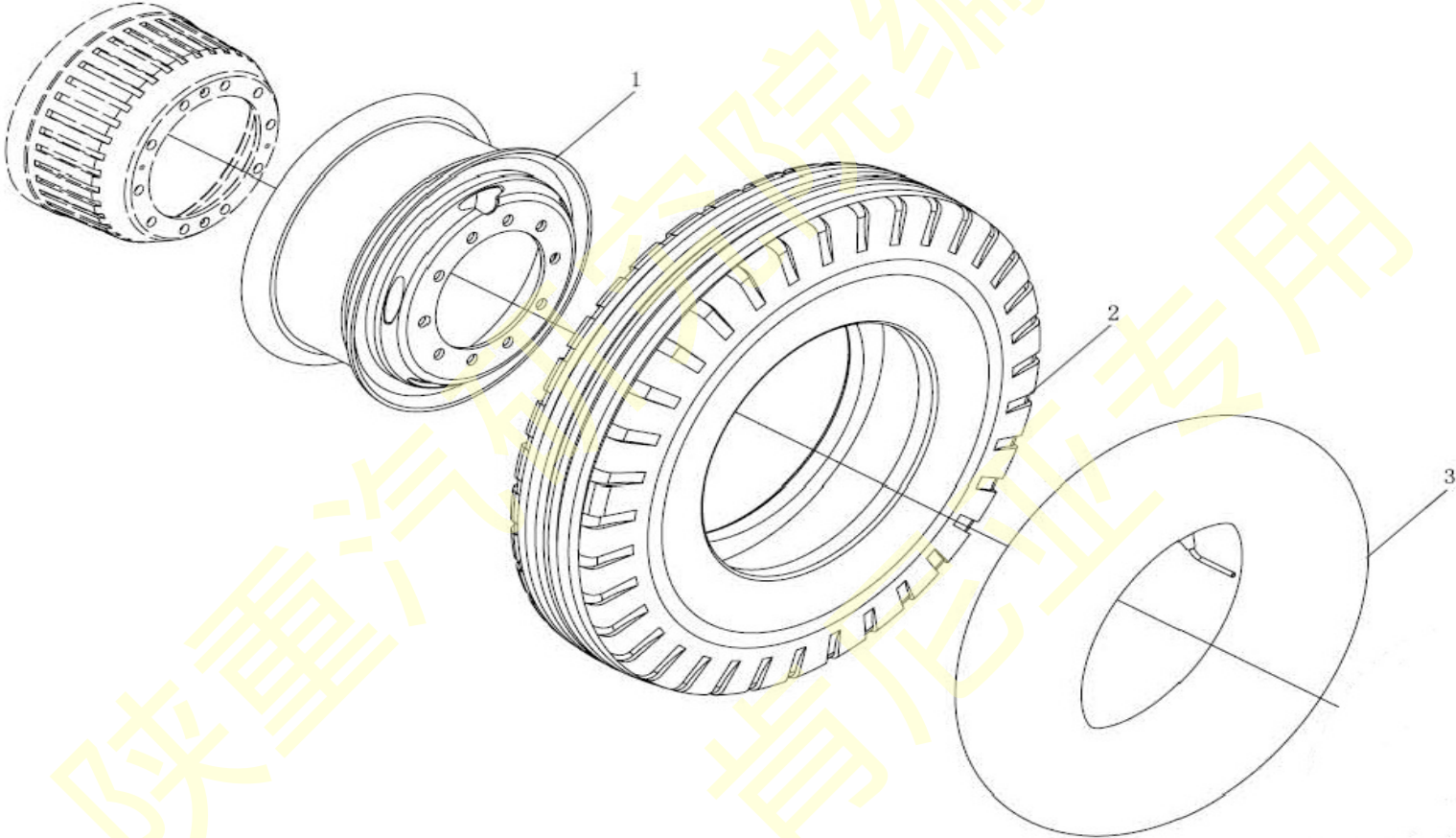


牵引装置 DRAW GEAR

| 序号 NO | 件号 Part.No | 名称 Designation | Name | 数量 Quantity | 适用车型 Suited type | 备注 Remark |
|----------|---------------|-------------------|-------------------------|----------------|---------------------|--------------|
| 1 | DZ93189930001 | F2000 前拖钩 | Towing pin assy | 2 | | |
| 2 | DZ93189930002 | 拖钩弹簧片 | Towing hook spring leaf | 2 | | |
| 3 | DZ93189930004 | 拖钩垫块 | Towing hook block | 2 | | |
| 4 | DZ93259930100 | 牵引座总成 | Towing attachment assy | 1 | | |

车轮总成 The front wheels assembly

车轮 Wheeling System

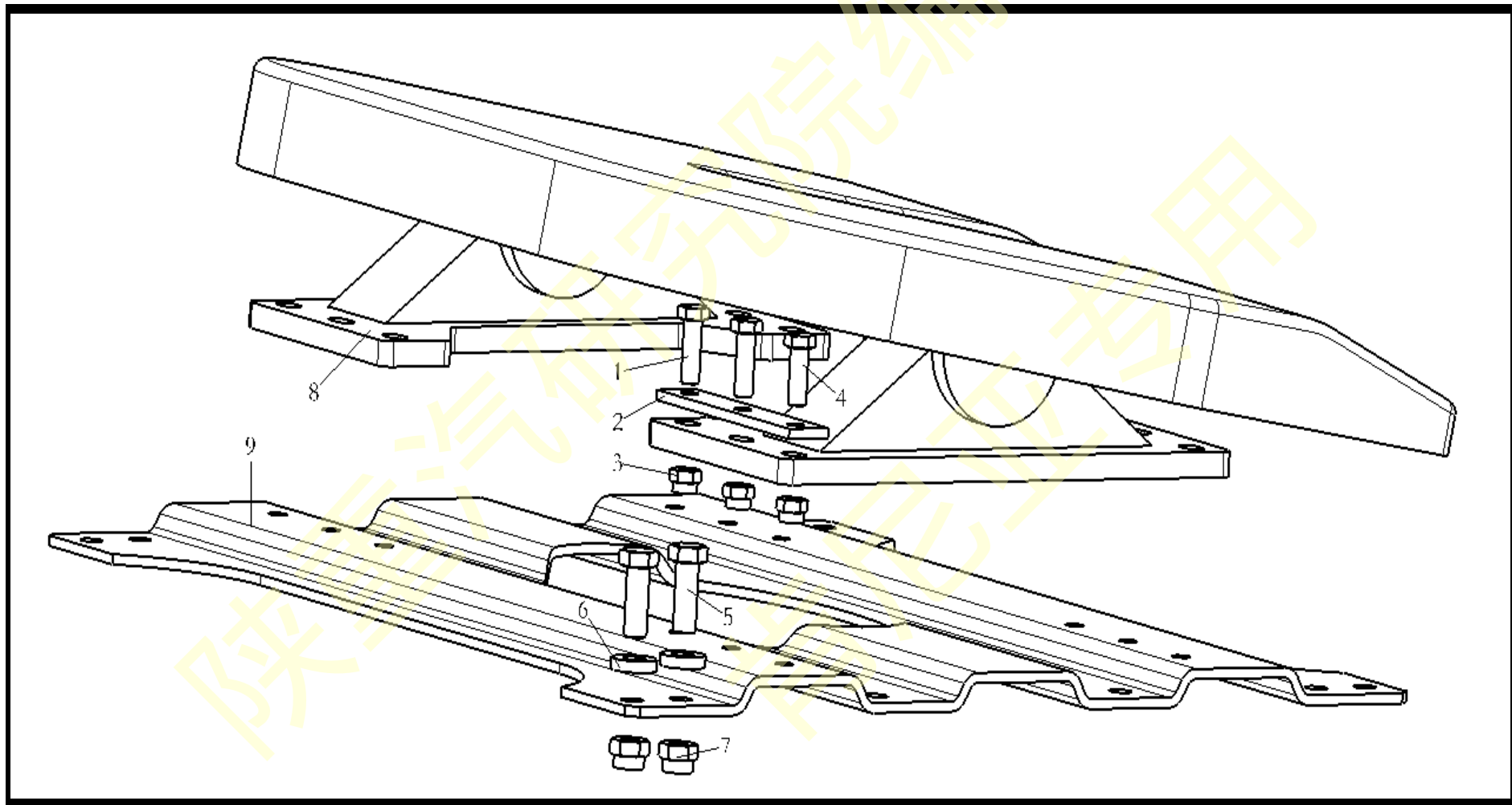


车轮 Wheeling System

| 序号 NO | 件号 Part.No | 名称 Designation | Name | 数量 Quantity | 适用车型 Suited type | 备注 Remark |
|----------|---------------|--------------------------|------------|----------------|---------------------|--------------|
| 1 | DZ9100610061 | 8.5-20 二件式车轮总成 | Rim | 11 | | |
| 2 | DZ9100610021 | 12.00R20 轮胎总成 18PR(纵向花纹) | Cover | 11 | | |
| 3 | DZ9100610021 | 内胎 | Inner Tube | 11 | | |

鞍座及操作平台 The saddle and operation platform

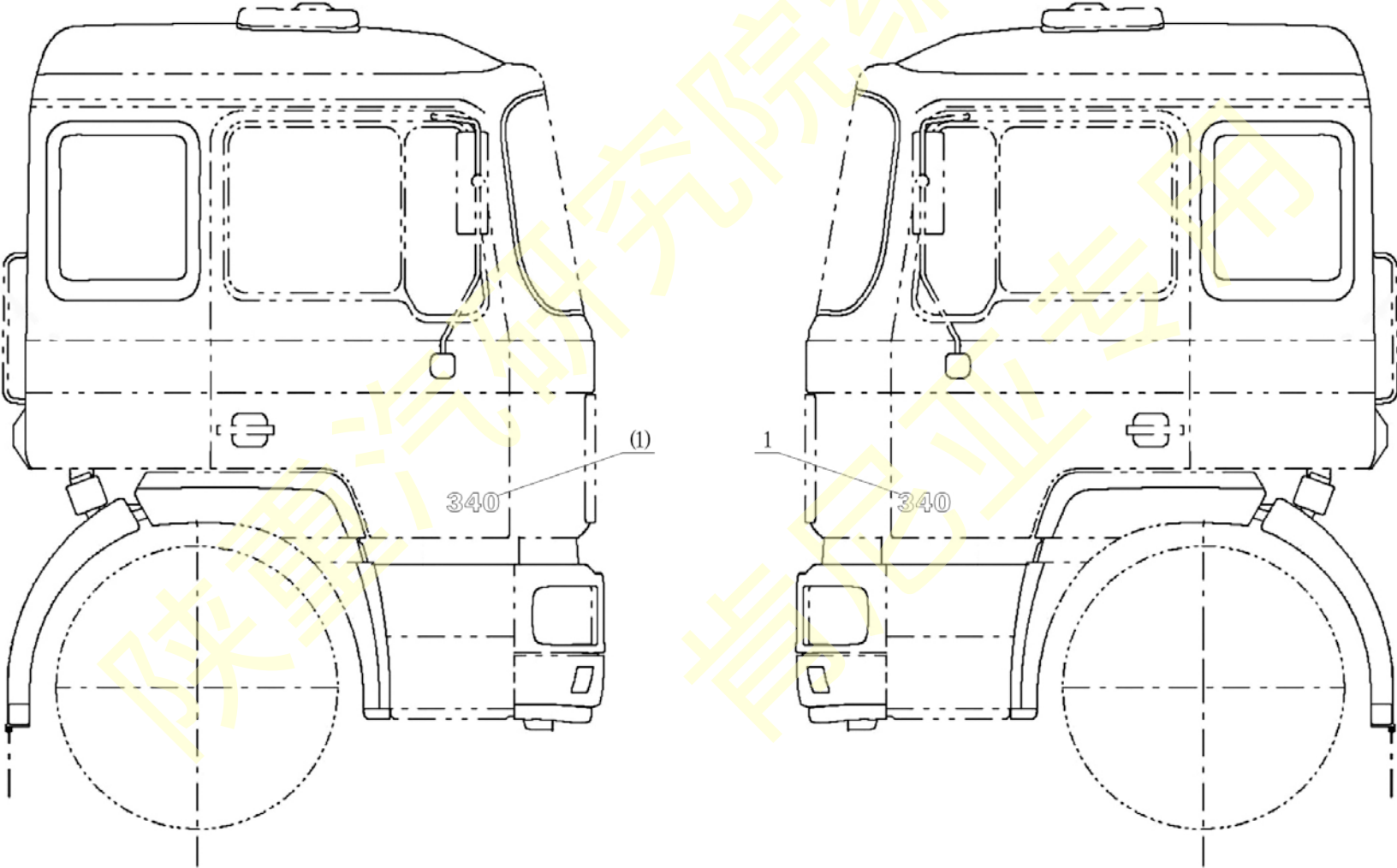
鞍座安装 SEMI TRAILING BASE(DC91259934003)



鞍座安装 SEMI TRAILING BASE

| 序号 NO | 件号 Part.No | 名称 Designation | Name | 数量 Quantity | 适用车型 Suited type | 备注 Remark |
|----------|---------------|----------------------------|-----------------------|----------------|---------------------|--------------|
| 1 | Q151B1650 | 六角头螺栓-细牙 | Hex screw | 8 | | |
| 2 | 199114930116 | 下横梁 | Slat | 4 | | |
| 3 | 190003888459 | 自锁螺母 | Locknut | 12 | | |
| 4 | Q151B1645 | 六角头螺栓-细牙 | Hex screw | 4 | | |
| 5 | Q151B2055 | 六角头螺栓-细牙 | Hex screw | 12 | | |
| 6 | DZ9112510037 | 垫圈 | washer | 12 | | |
| 7 | 190003888467 | 自锁螺母 | Locknut | 12 | | |
| 8 | AZ9114930001 | 鞍座(单摆 50, 173mm) | 50 semi trailing base | 1 | | |
| | SZ993000003 | 约斯特 50 鞍座 (JSK36DV2 带 E 标) | | | | |
| | 199114930076 | 鞍座装置(单摆 90) | | | | |
| | SZ993000796 | 135 型 90 鞍座 | | | | |
| | DZ91189933016 | 轻型 90 鞍座 | | | | |
| 9 | DZ91189933038 | 瓦楞型鞍座安装板 | Soleplate | 1 | | |

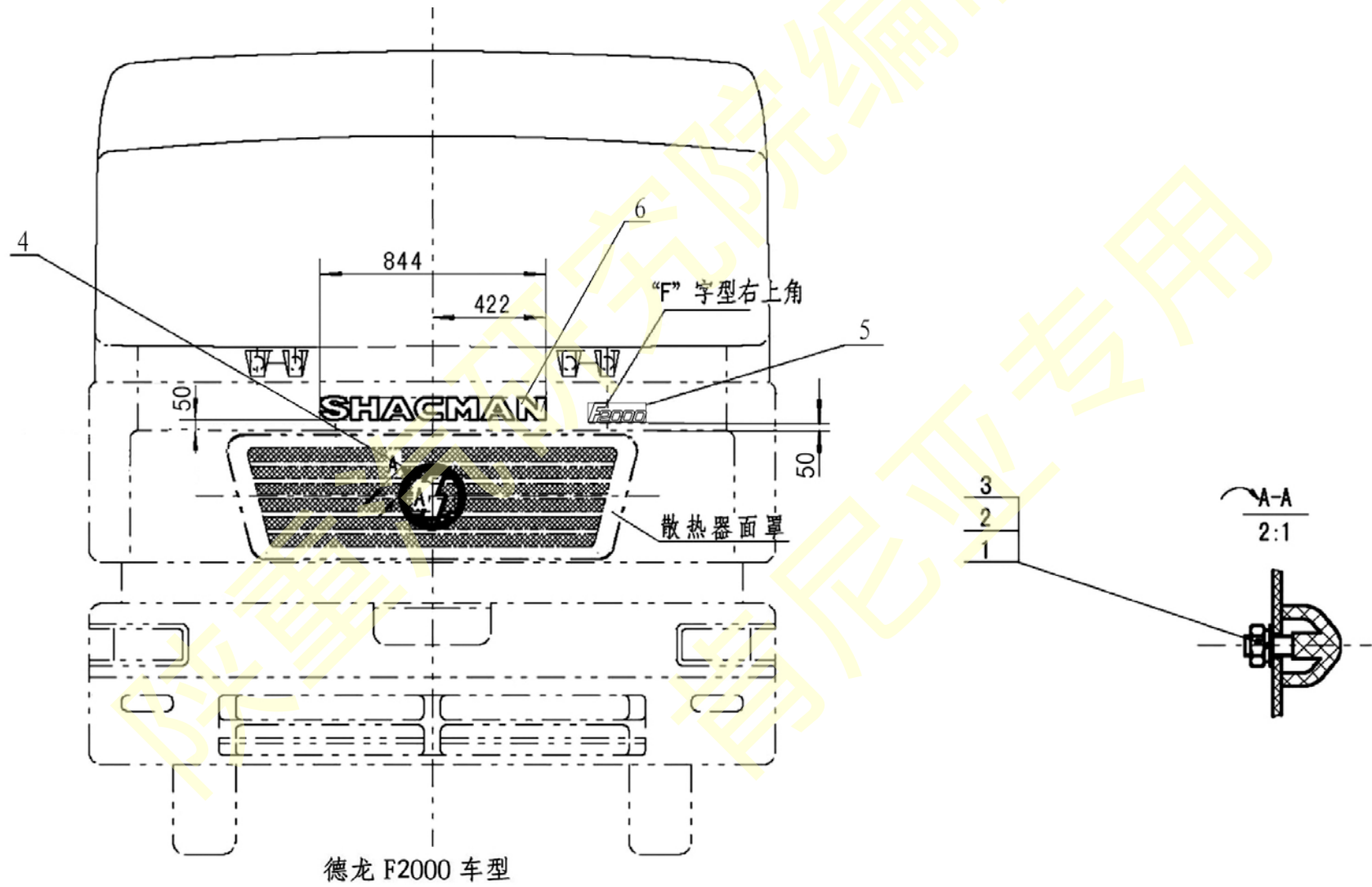
驾驶室车型字母



驾驶室车型字母

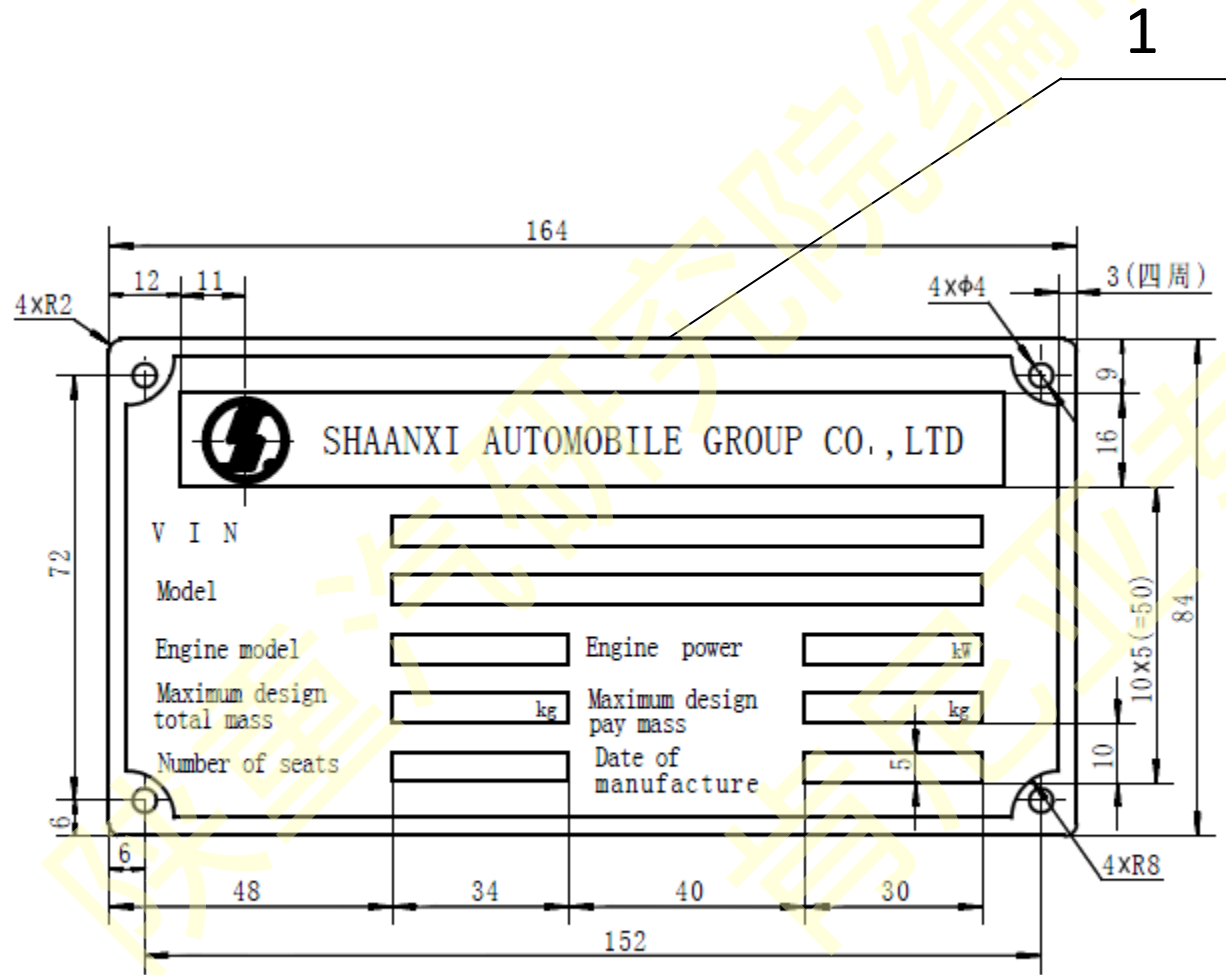
| 序号 NO | 件号 Part.No | 名称 Designation | Name | 数量 Quantity | 适用车型 Suited type | 备注 Remark |
|----------|----------------------|-------------------|-----------------------|----------------|---------------------|--------------|
| 1 | <u>DZ11241930340</u> | 车型字母 340 | Lorry type letter 340 | 2 | | |

驾驶室装饰标牌和反光标识



驾驶室装饰标牌和反光标识

| 序号 NO | 件号 Part.No | 名称 Designation | Name | 数量 Quantity | 适用车型 Suited type | 备注 Remark |
|----------|---------------|-------------------|----------------------|----------------|---------------------|--------------|
| 1 | Q340B04 | 1 型六角螺母 | Type 1 hexagonal nut | 4 | | |
| 2 | Q40304 | 弹簧垫圈 | Spring washer | 4 | | |
| 3 | Q40204 | 大垫圈 | Large washer | 4 | | |
| 4 | DZ13241930033 | 陕汽标志牌 | Shaanxi Auto sign | 1 | | |
| 5 | DZ1640930007 | F2000 标牌 | Denoter of F2000 | 1 | | |
| 6 | DZ13241930231 | SHACMAN 标牌 | Denoter of SHACMAN | 1 | | |



整车标牌

VEHICLE

SCUTCHEON

| 序号 NO | 件号 Part.No | 名称 Designation | Name | 数量 Quantity | 适用车型 Suited type | 备注 Remark |
|----------|---------------|-------------------|-------------------|----------------|---------------------|--------------|
| 1 | DZ1600950009 | 整车标牌 | Vehicle scutcheon | 1 | 非牵引车 | |