

# Foreword

CNHTC manufactures Steyr, Huanghe Prince and HOWO series SINOTRUK heavy trucks. Because the modular design method is used in all its product series, its assemblies have high level of general utilization. This handbook contains a spare part catalogue of basic assemblies which may be used in its product series, including Steyr WD615 engine, Steyr WD618 engine, clutch, gearbox, Steyr transfer box, PTO, Steyr rigid axle, Steyr front drive axle, Steyr intermediate and rear drive axle, wheel and tire, driver tool and fifth-wheel.

This spare part catalogue is compiled in reference with the version of Steyr truck spare part catalogue provided by Steyr company, spare part catalogue of related assemblies manufacturers and BOM of all truck series. Because the products are improved continuously, the parts and components actually used in the purchased truck may be different from those in this catalogue. Therefore, you are required to send your spare part list along with the vehicle VIN number and engine number to our supply department so as to confirm his order list in accordance with the vehicle.

The copyright of this spare part catalogue is owned by CNHTC. Reprint is not allowed without its permission.



**中国重汽**  
**SINOTRUK**

China national heavy duty truck Group co., Ltd.

# Instruction

1. For the assembly with several variants, the assembly is compiled as the basic unit. The applicable variants of parts and components are explained in the column of "Applicability" and "Remark". For example, the four kinds of engine WD615.62, WD615.87, WD615.69 and WD615.47 are compiled into the unit of engine. And it is explained in the column of "Applicability" and "Remark" that certain part is used in certain engine. For the confirmation of assembly application, refer the basic configure table of main assemblies in special spare part catalogue of different truck series.

## 2. Reference of this spare part catalogue

(1) For the confirmation of truck model No. and engine No., refer to the nameplate.

(2) For the confirmation of assembly type name, refer to the basic configure table of main assemblies in spare part catalogue exclusive for each truck series or check the vehicle directly.

(3) For the assembly with unique model number, find the part number according to the sequence numbers noted in the drawing. For the assembly with several model numbers, find one or several part numbers according to the sequence numbers noted in the drawing, and then confirm the unique part number used by certain type of assembly according to the description on applicable range. See the following table:

No	Number of part	Quantity	Description	Applicability	Designation	名称	Remark
1	199112320003	1		$i = 4.42$	Pinion and crown wheel	锥齿轮付	
1	199012320181	1		$i = 4.8$	Pinion and crown wheel	锥齿轮付	
1	199012320177	1		$i = 5.73$	Pinion and crown wheel	锥齿轮付	

From this table we know that the part number of pinion and crown wheel used by rear axle drive ( $i = 4.42$ ) is 199112320003 and the part quantity is one piece.

## 3. Description on compile language

(1) 336/K36/6×4

336—336hp

K—tipper truck

F, O, N—Cargo truck

S—tractor truck

B—concrete mixer truck

36—wheel base, 3600mm

6×4, 4×2, 8×4, 4×4, 6×6—driving type

(2) 62, 69, 87, 47—266, 290, 336, 371hp WD615 engine

(3) l, L.—left

r, R.—right

4. Other description

(1) Apart from the basic configure, the assemblies and parts of other code numbers can be assembled optionally for certain assemblies and parts. For example, ZF5S—111GP gearbox can be assembled optionally on the vehicle with Fuller RT11509C. Confirm what assemblies are actually assembled in the purchased vehicle and then refer to the column of parts. In the column of "Applicability" or "Remark", some optional parts are labeled as "Optional".

(2) If there is no description in the column of "Applicability" or "Remark" on several part numbers which belong to the same sequence number of certain assembly, it indicates that one part number can be selected from them according to the requirements.

(3) For assembly with variants, if there is no special description in the column of "Applicability" or "Remark" on parts of certain sequence number, it indicates that the parts are applicable to all the assembly variants.

(4) If number comes with letter in the sequence number, such as 6a, 6b, it indicates the two parts is used with part 6 in the same time. For the suffix -1, -2, etc., such as 6-1, 6-2, it indicates part 6 comprises the two parts.

# STEYR, HOWO, HUANGHE - PRINCE BASIC PARTS CATALOGUE

## 斯太尔、斯太尔王、HOWO、黄河王子基础总成备件目录

<b>一、WD615 series EURO II engine / WD615 系列欧 II 发动机</b> .....	<b>(1)</b>
1. WD615 crank case / WD615 气缸体 .....	(1)
2. WD615 gear case , flywheel housing / WD615 传动齿轮室, 飞轮壳 .....	(5)
3. WD615 oil filling pipe / WD615 加机油管及油标尺 .....	(11)
4. WD615 oil separator / WD615 油气分离器 .....	(13)
5. WD615 crank shaft , flywheel / WD615 曲轴, 飞轮 .....	(15)
6. WD615 connecting rod , piston / WD615 连杆, 活塞 .....	(17)
7. WD615 cylinder head / WD615 气缸盖总成 .....	(21)
8. WD615 valve distributing mechanism / WD615 配气机构 .....	(25)
9. WD615 water pump , ventilator / WD615 水泵, 风扇 .....	(27)
10. WD615 water pump C / 水泵总成 .....	(31)
11. WD615 roll wheel C / 张紧轮总成 .....	(33)
12. WD615 oil pump , oil filter I / WD615 机油泵, 机油滤清器 I .....	(35)
13. WD615 oil pump , oil filter II / WD615 机油泵, 机油滤清器 II .....	(39)
14. WD615 injection pump , injection lines / WD615 喷油泵, 高压油管 .....	(41)
15. WD615 fuel line / WD615 燃油管 .....	(45)
16. WD615 injection pump coupling / WD615 喷油泵联轴器总成 .....	(49)
17. WD615 electrical implements / WD615 电器装置 .....	(51)
18. WD615 flame starting system / WD615 火焰预热起动系统 .....	(53)
19. WD615 exhaust manifold / WD615 排气管 .....	(57)

20. WD615 air intake manifold / WD615 进气管	(61)
21. WD615 air compressor / 单缸空压机	(65)
22. WD615 oil pan / WD615 油底壳	(69)
<b>二、WD618 Engine / WD618 发动机</b>	<b>(71)</b>
1. WD618 crank case / WD618 气缸体	(71)
2. WD618 gear case , flywheel housing / WD618 传动齿轮室, 飞轮壳	(75)
3. WD618 crank shaft , flywheel / WD618 曲轴, 飞轮	(79)
4. WD618 connecting rod , piston / WD618 连杆, 活塞	(81)
5. WD618 cylinder head / WD618 气缸盖总成	(83)
6. WD618 valve distributing mechanism / WD618 配气机构	(85)
7. WD618 cooling system / WD618 冷却系统	(89)
8. WD618 oil pump , oil filter / WD618 机油泵, 机油滤清器	(93)
9. WD618 injection pump , injection lines / WD618 喷油泵, 高压油管	(95)
10. WD618 fuel line / WD618 燃油管	(99)
11. WD618 electrical implements / WD618 电器装置	(101)
12. WD618 flame starting system / WD618 火焰预热起动系统	(103)
13. WD618 exhaust manifold / WD618 排气歧管	(107)
14. WD618 air intake manifold / WD618 进气歧管	(109)
15. WD618 air compressor / WD618 空压机	(111)
16. WD618 oil pan / WD618 油底壳	(113)
<b>三、clutch / 离合器</b>	<b>(115)</b>
1. $\Phi 420\text{mm}$ clutch / 盘径 $\Phi 420\text{mm}$ 离合器	(115)

2. $\Phi 430\text{mm}$ clutch/盘径 $\Phi 430\text{mm}$ 离合器	(117)
--	-------

#### 四、FULLER gearbox /FULLER 变速器 (119)

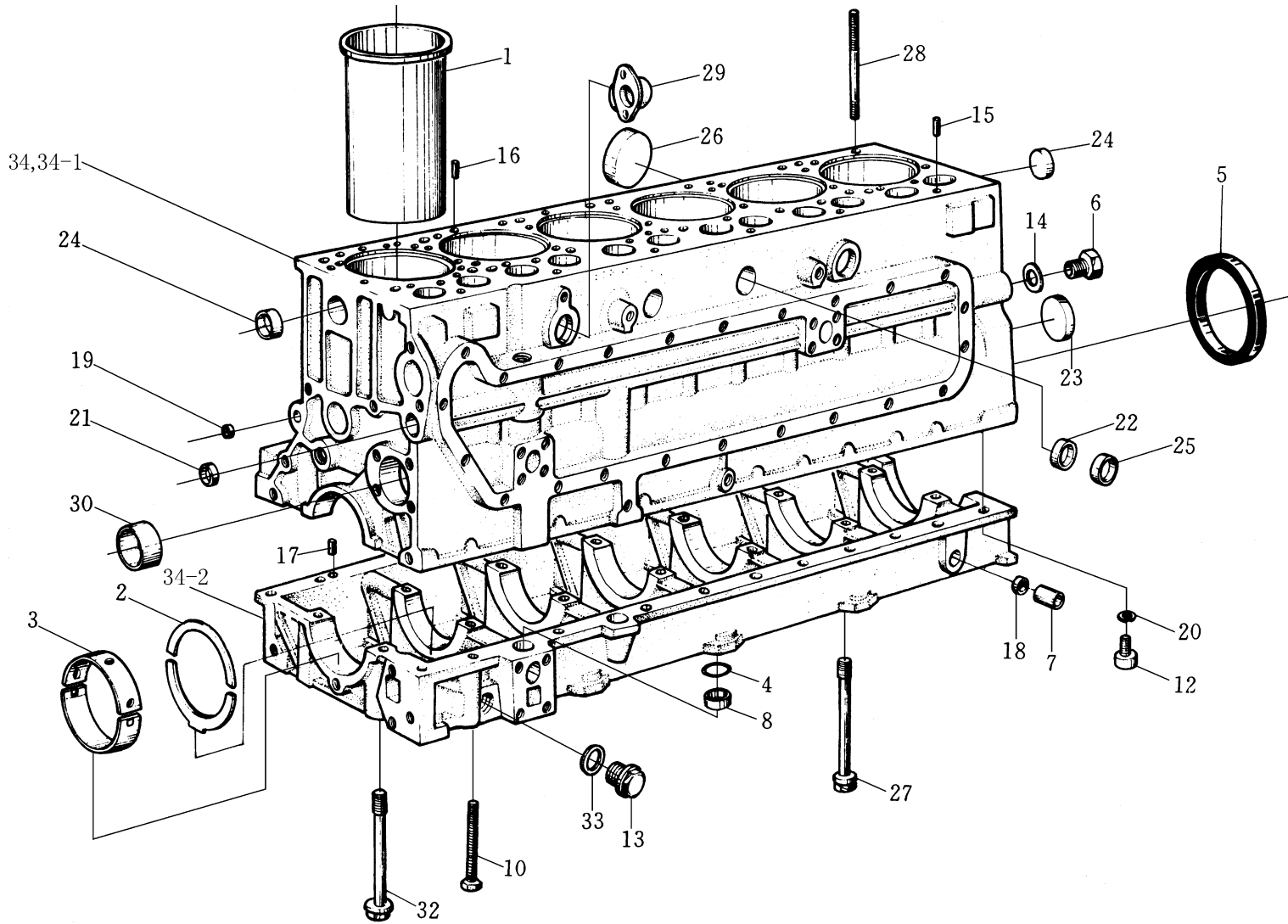
1. FULLER gearbox / FULLER 变速器总成	(119)
2. FULLER clutch housing, gearbox housing / FULLER 离合器壳, 变速器壳	(121)
3. FULLER lay shaft & wheels / FULLER 中间轴及齿轮	(125)
4. FULLER main shaft & wheels /FULLER 二轴, 啮合套及齿轮	(131)
5. FULLER reverse gear / FULLER 倒档轴及齿轮	(135)
6. FULLER clutch shaft / FULLER 一轴及齿轮	(137)
7. FULLER switch gear /FULLER 换档机构	(139)
8. FULLER double H operation C / FULLER 双 H 换档控制机构	(143)
9. FULLER aux. Gearbox drive gear / FULLER 副变速器驱动齿轮	(149)
10. FULLER aux. Gearbox output shaft / FULLER 副变速器输出轴总成	(151)
11. FULLER aux. Gearbox synchronization / FULLER 副变速器同步器	(153)
12. FULLER aux. Gearbox lay shaft / FULLER 副变速器中间轴	(155)
13. FULLER rear cover / FULLER 后盖总成	(157)
14. FULLER shifting cylinder assembly / FULLER 换档气缸总成	(161)
15. FULLER clutch brake / FULLER 离合器制动器	(163)
16. FULLER pneum. Shifting / FULLER 控制阀气路	(165)
17. FULLER air regulator valve / FULLER 空气滤清调节器	(167)
18. FULLER shift air line / FULLER 换档机构气路	(169)
19. FULLER shifting to clutch brake / FULLER 离合器制动器操纵机构	(171)
20. FULLER air line for clutch brake / FULLER 离合器制动器气路	(173)
21. FULLER double lever double H operation C / FULLER 双杆双 H 换档控制机构	(175)

<b>五、ZFS6-120 gearbox / ZFS6-120 变速器</b>	(177)
1. ZFS6-120 housing / ZFS6-120 壳体	(177)
2. ZFS6-120 inputshaft, layshaft and gear / ZFS6-120 一轴,中间轴及齿轮	(179)
3. ZFS6-120 main shaft, synchronization / ZFS6-120 二轴,同步器及齿轮	(187)
4. ZFS6-120 rear cover / ZFS6-120 后盖	(193)
5. ZFS6-120 shifting gear fork / ZFS6-120 换档拨叉	(197)
6. ZFS6-120 gearshaft cover and rotary selector mechanism /ZFS6-120 侧盖及换档机构	(199)
<b>六、ZF5S-111GP/5S-150GP/4S-130GP gearbox / 变速器</b>	(205)
1. ZF5S-111GP/5S-150GP/4S-130GP gearbox housing / 变速器壳体	(205)
2. ZF5S-111GP/5S-150GP/4S-130GP clutch housing for ZF gearbox / 离合器壳体	(207)
3. ZF5S-111GP/5S-150GP/4S-130GP inputshaft , layshaft and wheels / 一轴,中间轴及齿轮	(209)
4. ZF5S-111GP/5S-150GP/4S-130GP main shaft and wheels /二轴,同步器及齿轮	(213)
5. ZF5S-111GP/5S-150GP/4S-130GP shifting fork / 换档拨叉	(221)
6. ZF5S-111GP/5S-150GP/4S-130GP shifting cover /换档盖	(223)
7. ZF5S-111GP/5S-150GP/4S-130GP shifting device /选档机构	(225)
8. ZF5S-111GP/5S-150GP/4S-130GP pneum. Shifting for range change group /副变速器气动控制	(233)
9. ZF5S-111GP/5S-150GP/4S-130GP housing for range change group /副变速器壳体,后盖	(235)
10. ZF5S-111GP/5S-150GP/4S-130GP wheels for range change group / 副变速器齿轮	(237)
11. ZF5S-111GP/5S-150GP/4S-130GP shifting for range change group /副变速器换档机构	(241)
12. ZF5S-111GP/5S-150GP/4S-130GP rear cover for range change group /副变速器后盖	(245)
<b>七、VG1200 transfer case/VG1200 分动器</b>	(247)

1. housing for VG1200 transfer case without diff. Lock/分动器壳	(247)
2. housing for VG1200 transfer case with diff. Lock/带差速锁分动器壳	(251)
3. cover for VG1200 transfer case without diff. Lock/分动器盖	(255)
4. cover for VG1200 transfer case with diff. Lock/带差速锁分动器盖	(259)
5. wheels for for VG1200 transfer case without diff. Lock/齿轮系	(261)
6. wheels for VG1200 transfer case with diff. Lock/带差速锁齿轮系	(265)
7. suspension for VG1200 transfer case/分动器支承装置	(271)
8. gear shifting of VG1200 transfer case/分动器换档装置	(275)
9. pneumatic gear shifting for VG1200 transfer case/分动器气动换档	(279)
<b>八、Power take off / 取力器</b>	<b>(281)</b>
1. P.T.O. QH50 / QH50 取力器	(281)
2. air line for P.T.O. / 取力器操纵气路	(287)
<b>九、STEYR series front axle/刚性前桥</b>	<b>(289)</b>
1. front axle/前轴总成	(289)
2. 8×4 front axle/8×4 转向前轴	(295)
3. front wheel brake/刚性前桥制动器	(301)
4. tie rod/刚性前桥转向横拉杆	(305)
<b>十、STEYR Front drive axle /驱动前桥</b>	<b>(307)</b>
1. front axle bracket of front drive axle/驱动前桥前桥壳	(307)
2. front wheel drive of front drive axle/驱动前桥驱动装置	(311)

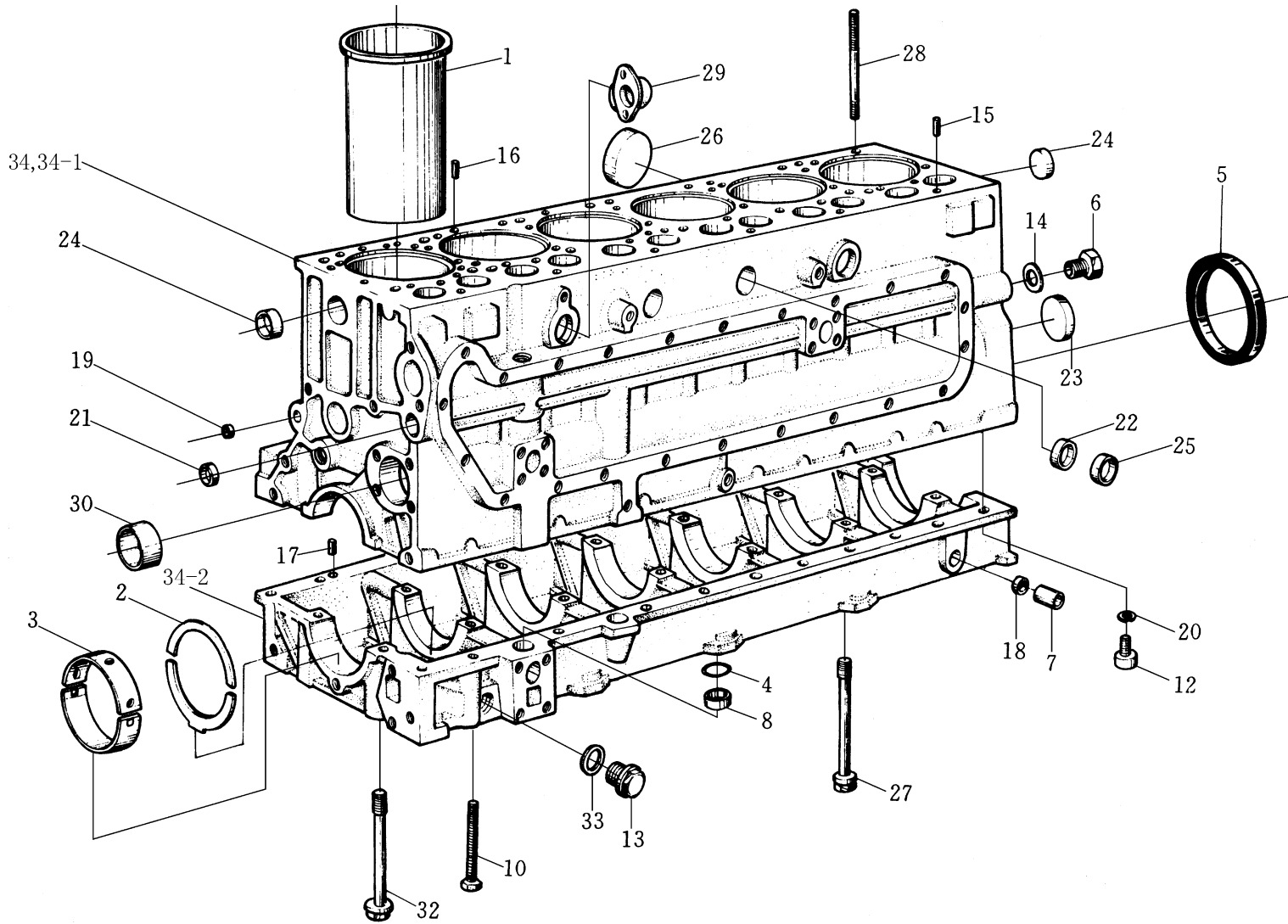


3. planetary drive of front drive axle/驱动前桥轮边行星减速器	(317)
4. front axle fork of front drive axle/驱动前桥前桥转向节	(321)
5. brake for front wheel drive axle/前驱动桥制动器	(325)
6. integrated breather/集中通气装置	(331)
7. 4×4, 6×6 tie rod/4×4, 6×6 转向横拉杆	(333)
<b>十一、STEYR series rear drive axle / 后驱动桥</b>	<b>(335)</b>
1. Rear drive axle / 后驱动桥总成	(335)
2. Rear axle housing / 后桥壳	(341)
3. First rear axle housing / 中桥壳	(345)
4. Rear axle drive / 后桥驱动装置	(351)
5. First rear axle drive / 中桥驱动装置	(359)
6. Planetary drive / 轮边行星减速器	(369)
7. Rear brake / 后制动器	(373)
<b>十二、Tools/随车工具</b>	<b>(379)</b>
<b>十三、disc wheel and tire / 车轮及轮胎</b>	<b>(383)</b>
<b>十四、fifth wheel/鞍座</b>	<b>(387)</b>
1. 4×2 fifth wheel assembly/4×2 鞍座安装	(387)
2. 6×4/6×6/8×4 fifth wheel assembly/6×4/6×6/8×4 鞍座安装	(389)



No	Number of part	Quantity & Applicability				Description	Designation	名称	Remark
		* 69	47	62	87				
0	WD615. 69						336ps engine	336 马力发动机	
0	WD615. 47						371ps engine	371 马力发动机	
0	WD615. 62						266ps engine	266 马力发动机	
0	WD615. 87						290ps engine	290 马力发动机	
1	61500010344	6	6	6	6		Liner	气缸套	
2	81500010125	2	2	2	2		Stop washer	止推片(付)	
3	81500010046	7	7	7	7		Shell pin	主轴瓦(付)	
4	614 010134	2	2	2	2		Gasket	密封圈	
5	61500010100	1	1	1	1		Gasket rear	后油封	
6	61460070011	1	1	1	1		Screw	主油管后螺塞	
7	612600070083	1	1	1	1		Pipe	回油短管	
8	614 010120	2	2	2	2		Sleeve	套管	
10	90003802493	2	2	2	2	M8× 110 DIN 933	Screw	六角头螺栓	
12	90003862428	22	22	22	22	M8× 25 DIN 912	Screw	圆柱头内六角螺钉	
13	90003962050	1	1	1	1	M30× 1. 5 D00908	Screw	内六角螺塞	
14	90003098086	1	1	1	1		Joint	密封垫圈	
15	90003901604	6	6	6	6	12m6× 20 DIN 7	Dowel pin	圆柱销	
16	90003909626	6	6	6	6	6× 12 D01481	Dowel pin	弹性圆柱销	
17	90003901604A	3	3	3	3	12m6× 26 D00007	Dowel pin	圆柱销	
19	90003989480	2	2	2	2	17/8 N5564	Corehole plug	碗形塞	
20	188 250083	22	22	22	22		Circlip	自锁垫圈	
21	90003989204	1	1	1	1	28/ 12 N5560	Corehole plug	碗形塞	
22	90003989289	4	4	4	4	40/ 12- M5 N5564	Corehole plug	碗形塞	
23	90003989288	1	1	1	1	65/ 14 N5564	Corehole plug	碗形塞	

\* 69—WD615. 69 47—WD615. 47 62—WD615. 62 87—WD615. 87



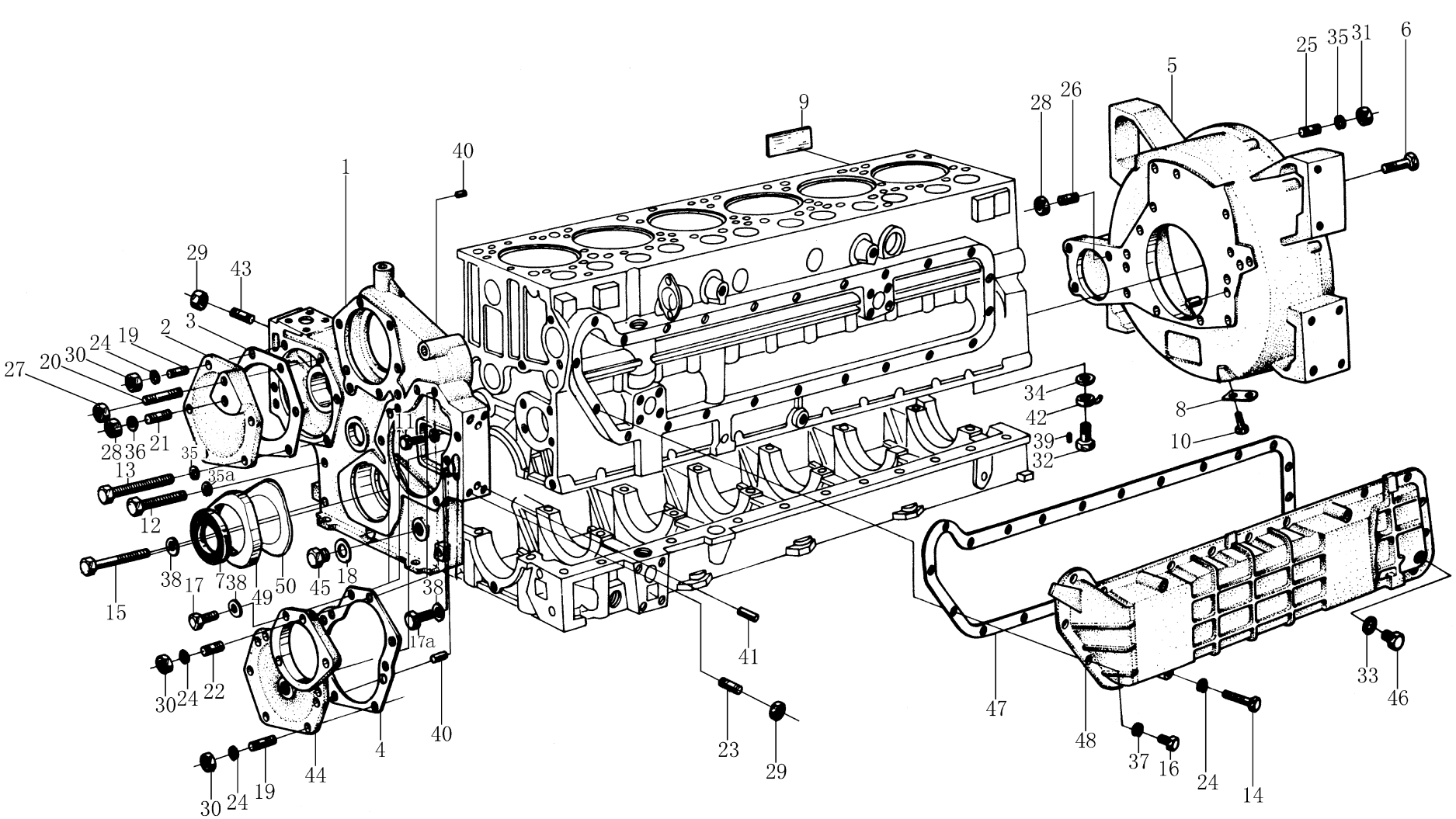
A1- 1

## WD615 CRANK CASE/ 气缸体

No	Number of part	Quantity & Applicability				Description	Designation	名称	Remark
		69	47	62	87				
24	90003982121	4	4	4	4	45/ 12 N5564	Corehole plug	碗形塞	
25	90003989215	3	3	3	3	45/ 12 N5564	Corehole plug	碗形塞	
26	90003989210	6	6	6	6	75/ 14 N5564	Corehole plug	碗形塞	
27	614 010217	1	1	1	1		Screw	主轴盖螺栓	
28	61500010185	21	21	21	21		Stud	气缸盖螺栓	
29	614 010279	1	1	1	1		Elbowconnector	通风弯管	
30	61560010029	7	7	7	7		Bush	凸轮轴衬套	
32	614 010114	13	13	13	13		Screw	主轴承螺栓	
33	90003098086	1	1	1	1	AKM N05125	Joint	密封垫圈	
34	61560010097A	1	1	1	1		Crank case assembly	气缸体总成	
34_1	61560010095B	1	1	1	1		Crank case	气缸体	
34_2	61560010109	1	1	1	1		Crank case	曲轴箱	

4

A1



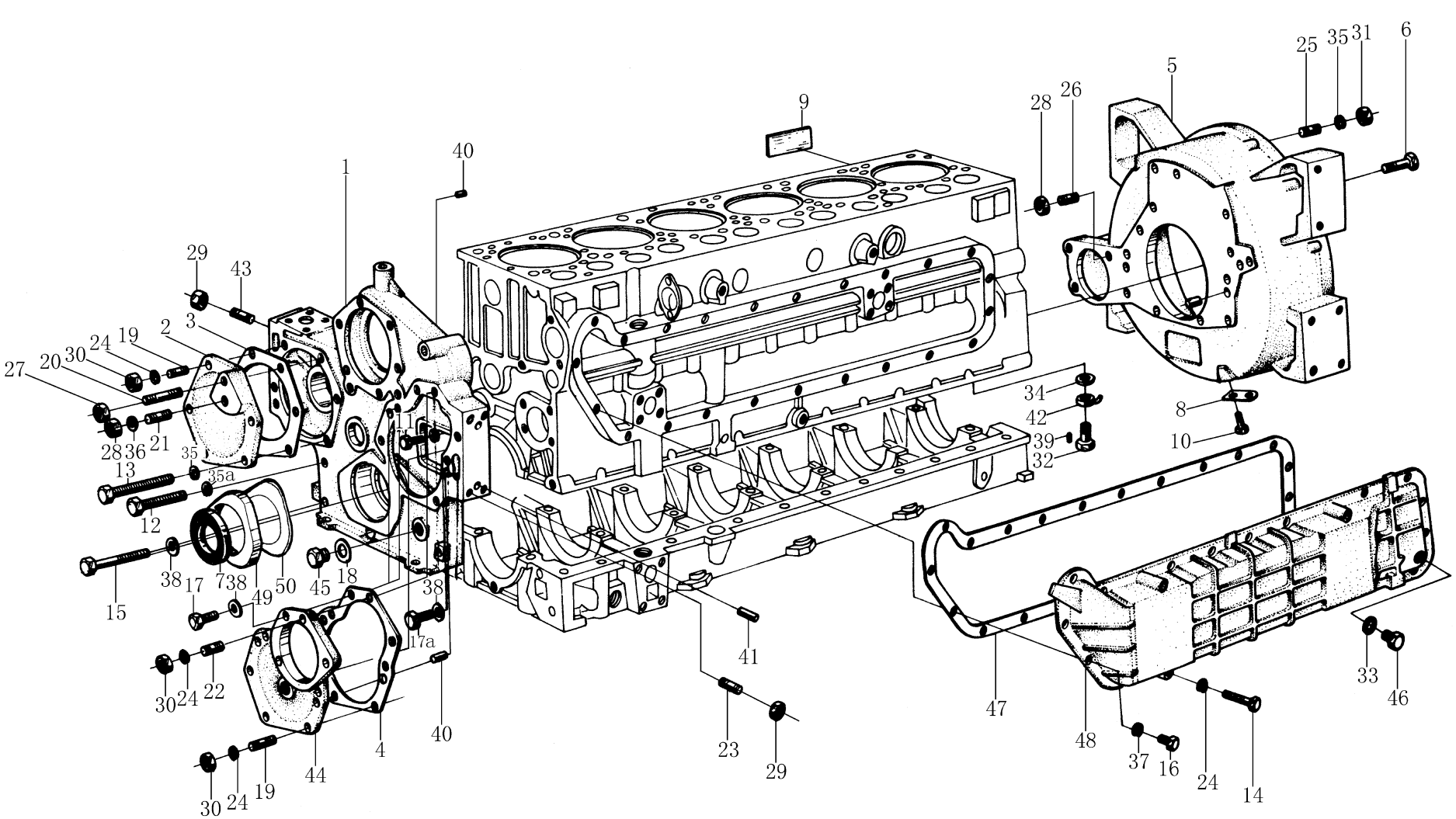
A1- 2

## WD615 GEAR CASE, FLYWHEEL HOUSING 齿轮室, 飞轮壳

No	Number of part	Quantity & Applicability				Description	Designation	名称	Remark
		* 69	47	62	87				
1	61560010094B	1	1	1	1		Gear case	正时齿轮室	
2	61560010069	1	1	1	1		Cover	空压机齿轮盖	
3	614 010040	1	1	1	1		Joint	空压机齿轮盖垫片	
4	614 010070	1	1	1	1		Joint	空压机齿轮盖垫片	
5	61500010012	1	1	1	1		Flywheel housing	SAE1 飞轮壳	
6	61500010101	7	7	7	7		Screw	飞轮壳螺栓	
6a	61500010062	6	6	6	6		Screw	飞轮壳螺栓	
7	61500010037	1	1	1	1		Gasket front	前油封	
8	1800210011	1	1	1	1		Cover	观察孔盖	
9	612600010193	1	1	1	1		Plaque	铭牌	
10	90003802511	2	2	2	2	M10x 18 D00933	Screw	六角头螺栓	
11	90003802523	3	3	3	3	M10x 25 D00933	Screw	六角头螺栓	
12	90003802561	6	6	6	6	M10x 75 D00933	Screw	六角头螺栓	
13	90003802576	1	1	1	1	M10x 90 D00933	Screw	六角头螺栓	
14	90003800458			4	4	M8x 70 D00931	Screw	六角头螺栓	
15	90003800571	1	1	1	1	M10x 80 D00931	Screw	六角头螺栓	
16	90003802424	19	19	19	19	M8x 25 D00933	Screw	六角头螺栓	
17	90003862524	1	1	1	1	M10x 20 D00912	Screw	内六角圆柱头螺钉	
17a	90003862532	1	1	1	1	M10x 30 D00912	Screw	内六角圆柱头螺钉	
18	90003098086	1	1	1	1	A30x 36 D07603	Joint	密封垫圈	
19	90003813429	12	12	12	12	M8x 22 D00939	Gear case	双头螺柱	
20	90003813470	3	3	3	3	M8x 60 D00939	Gear case	双头螺柱	
21	90003811531	1	1	1	1	M10x 30 D00835	Cover	双头螺柱	
22	90003813443	1	1	1	1	M8x 30 D00939	Cover	双头螺柱	
23	90003813628	6	6	6	6	M12x 30 D00939	Joint	双头螺柱	

6

A1





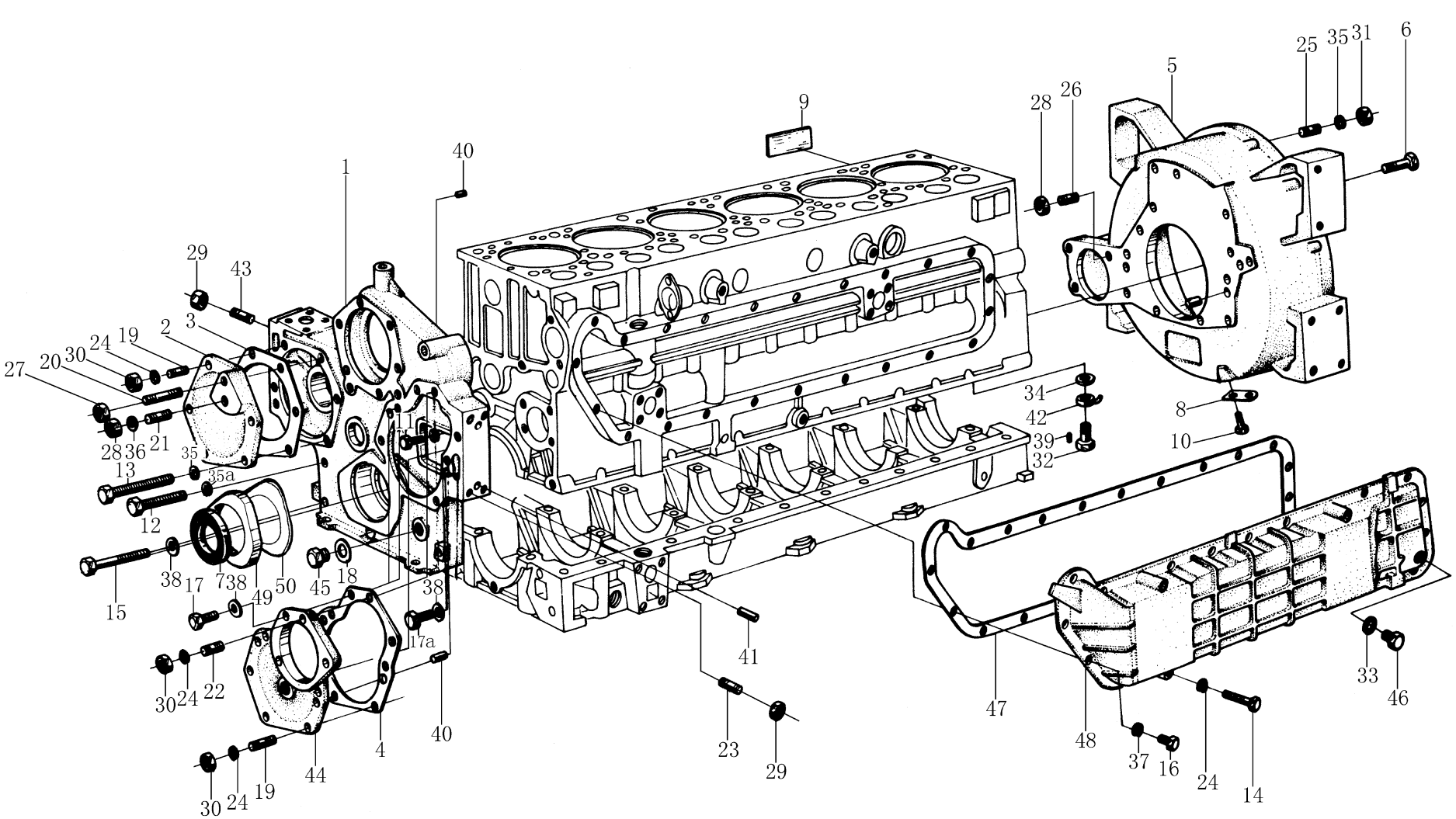
A1- 2

## WD615 GEAR CASE, FLYWHEEL HOUSING/ 齿轮室, 飞轮壳

No	Number of part	Quantity & Applicability				Description	Designation	名称	Remark
		69	47	62	87				
24	90003932023	41	<b>41</b>	41	41	B8 D00137	Joint	波形弹性垫圈	
25	90003813537	12	<b>12</b>	12	12	M10x 35 D00939	Flywheel housing	双头螺柱	
26	90003813527	3	<b>3</b>	3	3	M10x 28 D00939	Flywheel housing	双头螺柱	
27	90003888451	2	<b>2</b>	2	2	VM8 D00980	Screw	2型全金属六角锁紧螺母	
28	90003888452	5	<b>5</b>	5	5	VM10 D00980	Screw	2型全金属六角锁紧螺母	
29	90003888453	8	<b>8</b>	8	8	VM12 D00980	Gasket	2型全金属六角锁紧螺母	
30	90003871252	16	<b>16</b>	16	16	M8 D00934	Gasket	1型六角螺母	
31	90003871305	12	<b>12</b>	12	12	M10 D00934	Gasket	1型六角螺母	
32	90003962621	6	<b>6</b>	6	6	A8 D07623	Cover	空心螺栓	
33	90003098014	1	<b>1</b>	1	1	A14x 18 D07603	Plaque	密封垫圈	
34	90003098015	6	<b>6</b>	6	6	A14x 20 DIN7603	Screw	密封垫圈	
35	90003932024	1	<b>1</b>	1	1	B10 D00137	Screw	波形弹性垫圈	
35a	90003931122	21	<b>21</b>	21	21	B10 D00127	Screw	弹簧垫圈	
36	90003930012	1	<b>1</b>	1	1	10.5 D07340	Screw	垫圈	
37	90003930271	1	<b>1</b>	1	1		Screw	小垫圈	
38	90003932025	2	<b>2</b>	2	2		Screw	鞍形弹性垫圈	
39	90003909603	6	<b>6</b>	6	6		Screw	弹性圆柱销	
40	90003901507	4	<b>4</b>	4	4		Screw	圆柱销	
41	90003901604	6	<b>6</b>	6	6		Screw	圆柱销	
42	61560010047			6			Joint	喷嘴组件	
	61560010090	6	6		6		Spraying nozzle	喷嘴组件	
43	90003813638	2	2	2	2	M12x 35 D00939	Stud	双头螺柱	
44	61500010008A	1	1	1	1		Cover	凸轮轴齿轮盖总成	
45	90003962051	1	1	1	1	CM30x 1.5 D07604	Screw	六角头螺栓	
46	90003962020	1	1	1	1	A14x 1.5 D07604	Screw	六角头螺栓	

8

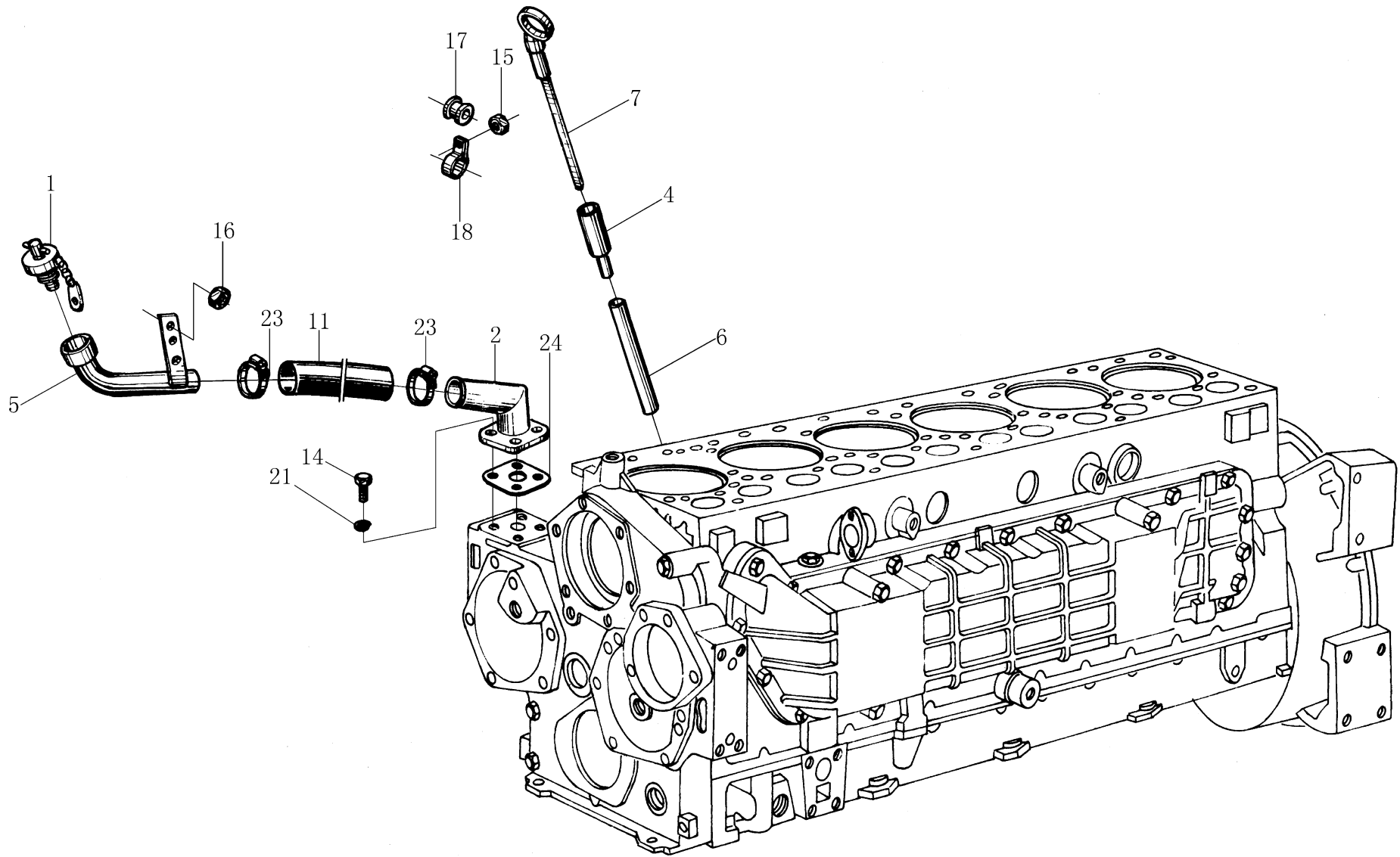
A1



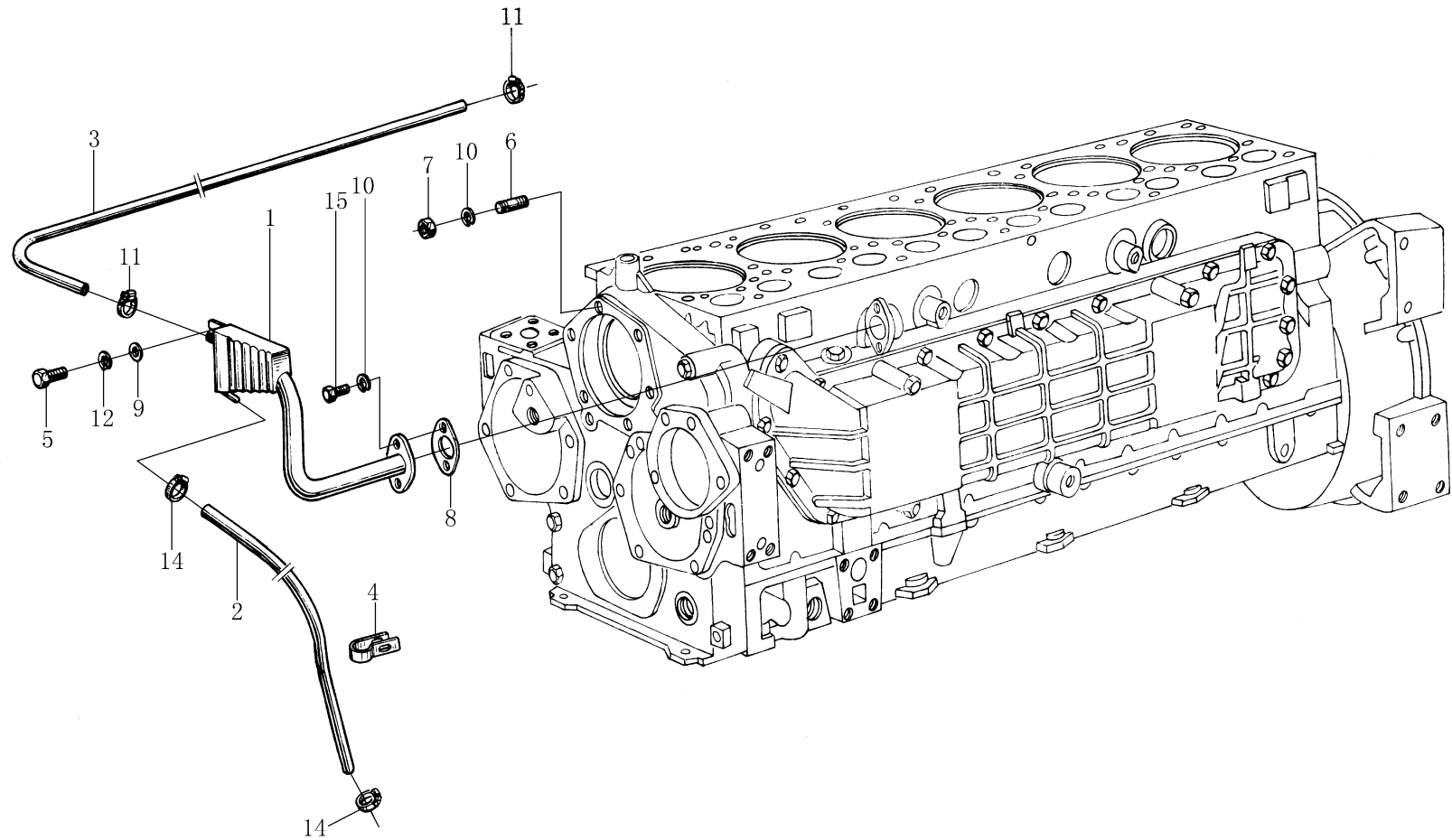
A1- 2

WD615 GEAR CASE, FLYWHEEL HOUSING/ 齿轮室, 飞轮壳

No	Number of part	Quantity & Applicability				Description	Designation	名称	Remark
		69	47	62	87				
47	614010084B	1	1	1	1		Joint	机油冷却器盖垫片	
48	614010083B	1	1	1	1		Cover	机油冷却器盖	
49	AZ1500010336A	1	1	1	1		Front oil seal seat	前油封座	
50	614010106A	1	1	1	1		Shim	前油封垫片	
51	90003862327	4	4	4	4		Screw	内六角圆柱头螺钉	



No	Number of part	Quantity & Applicability				Description	Designation	名称	Remark
		69	47	62	87				
1	612600010489	1	1	1	1		Cover	加油管盖组件	
2	61560010028	1	1	1	1		Filler neck	加油短管组件	
5	612600010522	1	1	1	1		Nozzle	加油管组件	
11	61500010079	1	1	1	1		Hose	带纤维夹层橡胶软管	
14	90003802321	4	4	4	4	M6x 16 D00933	Screw	六角螺栓	
16	90003888451	1	1	1	1	VM8 D00980	Nut	2型全金属六角锁紧螺母	
21	90003931082	4	4	4	4	B6 D00127	Spring washer	弹簧垫圈	
23	90003989306	2	2	2	2	38154 N5074	Hose clamp	软管卡箍	
24	614 010086	1	1	1	1		Joint	加油短管垫片	
25	612600010532	1	1				Oil dipstick	油标尺	
25	612600010554			1	1		Oil dipstick	油标尺	
26	61800010331	1	1				Jauge	油尺管上组件	
26	612600010533			1	1		Jauge	油尺管头	
27	61800010334	1	1				Nozzle	机油尺管组件	
27	612600010557			1	1		Nozzle	油尺管	
28	612600010638	1	1	1	1		Clamp	橡胶管箍	
29	612600010647	1	1	1	1		Clamp	单管夹片	
30	90003802411	1	1	1	1		Screw	六角头螺栓	
31	612600010609	1	1				Strut block	支撑块	
31	612600010616			1	1		Strut block	支撑块	



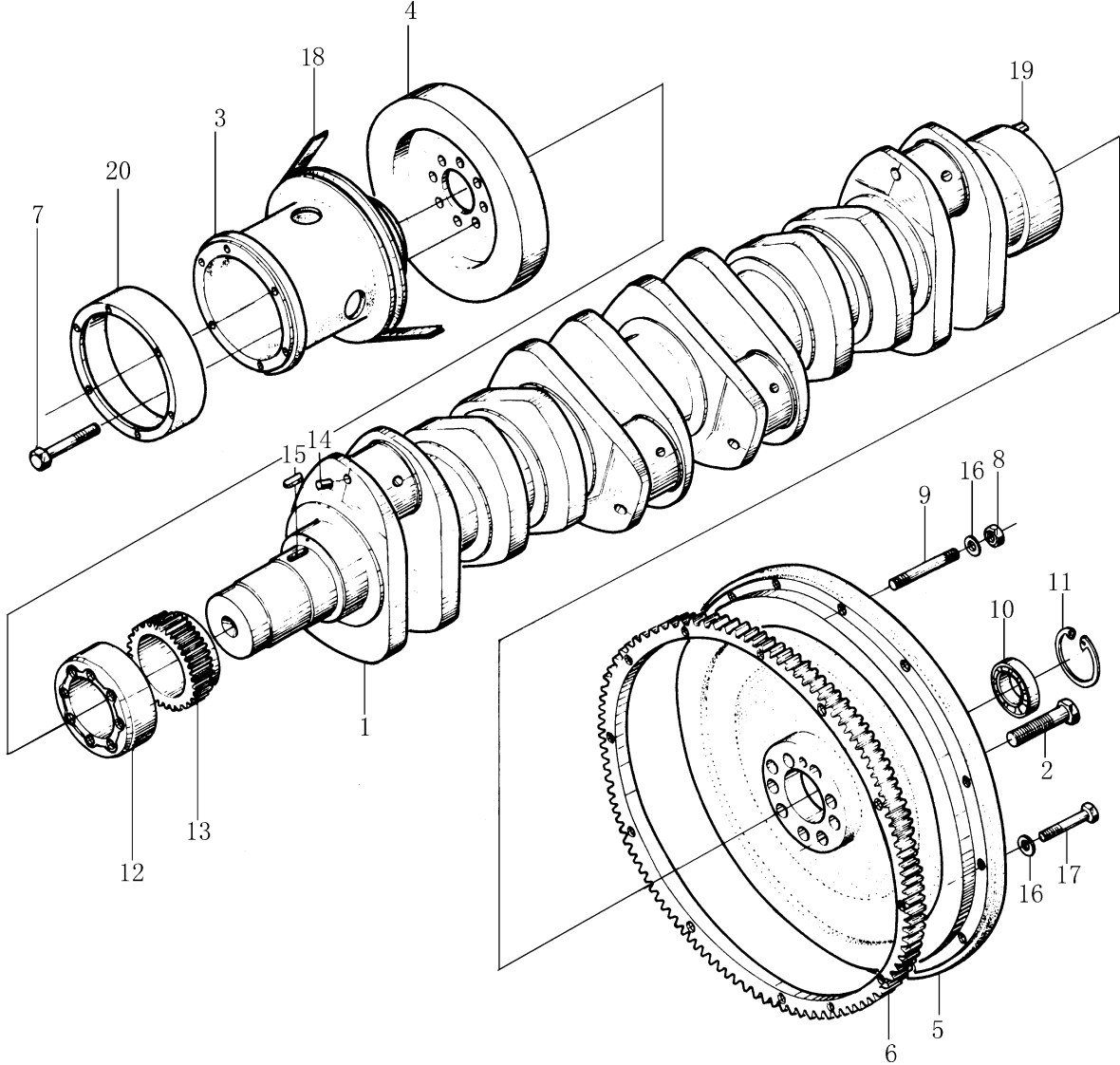
A1- 4

## WD615 OIL SEPARATOR/ 油气分离器

No	Number of part	Quantity & Applicability				Description	Designation	名称	Remark
		69	47	62	87				
1	612600010267	1	<b>1</b>	1	1		Oil Separator	油气分离器组件	
2	61500010174	1	<b>1</b>	1	1		Hose	无纤维夹层橡胶软管	
3	612C00040038	1	<b>1</b>	1	1		Rubber hose	带纤维夹层橡胶软管	
4	609E110049	1	<b>1</b>	1	1		Clamp	固定板	
5	90003802321	1	<b>1</b>	1	1	M6× 16 D00933	Screw	六角头螺栓	
6	90003813447	1	<b>1</b>	1	1	M8× 35 D00939	Stud	双头螺柱	
6a	90003813470	2	<b>2</b>	2	2	M8× 60 D00939	Stud	双头螺柱	
6b	90003813429	3	<b>3</b>	3	3	M8× 22 D00939	Stud	双头螺柱	
7	90003871252	6	<b>6</b>	6	6	M8 DIN 934	Nut	1型六角螺母	
8	90003069303	1	<b>1</b>	1	1	30× 53× 1 D71511	Joint	垫片	
9	90003936101	1	<b>1</b>	1	1	A6.4 D09021	Joint	大垫圈	
10	90003932023	8	<b>8</b>	8	8	B8 DIN137	Spring washer	波形弹性垫圈	
11	90003989336	2	<b>2</b>	2	2	22/ 16 N05074	Hose clamp	软管卡箍	
12	90003931082	1	<b>1</b>	1	1	B6 D00127	Spring washer	弹簧垫圈	
13	90003179784	1	<b>1</b>	1	1	Φ10× 1	Thermoplastic tubing	尼龙管	
14	90003989336	2	<b>2</b>	2	2	22/ 16 N05074	Hose clamp	软管卡箍	
15	90003862427	2	<b>2</b>	2	2	M8× 20 D00912	Screw	圆柱头内六角螺钉	

14

A1





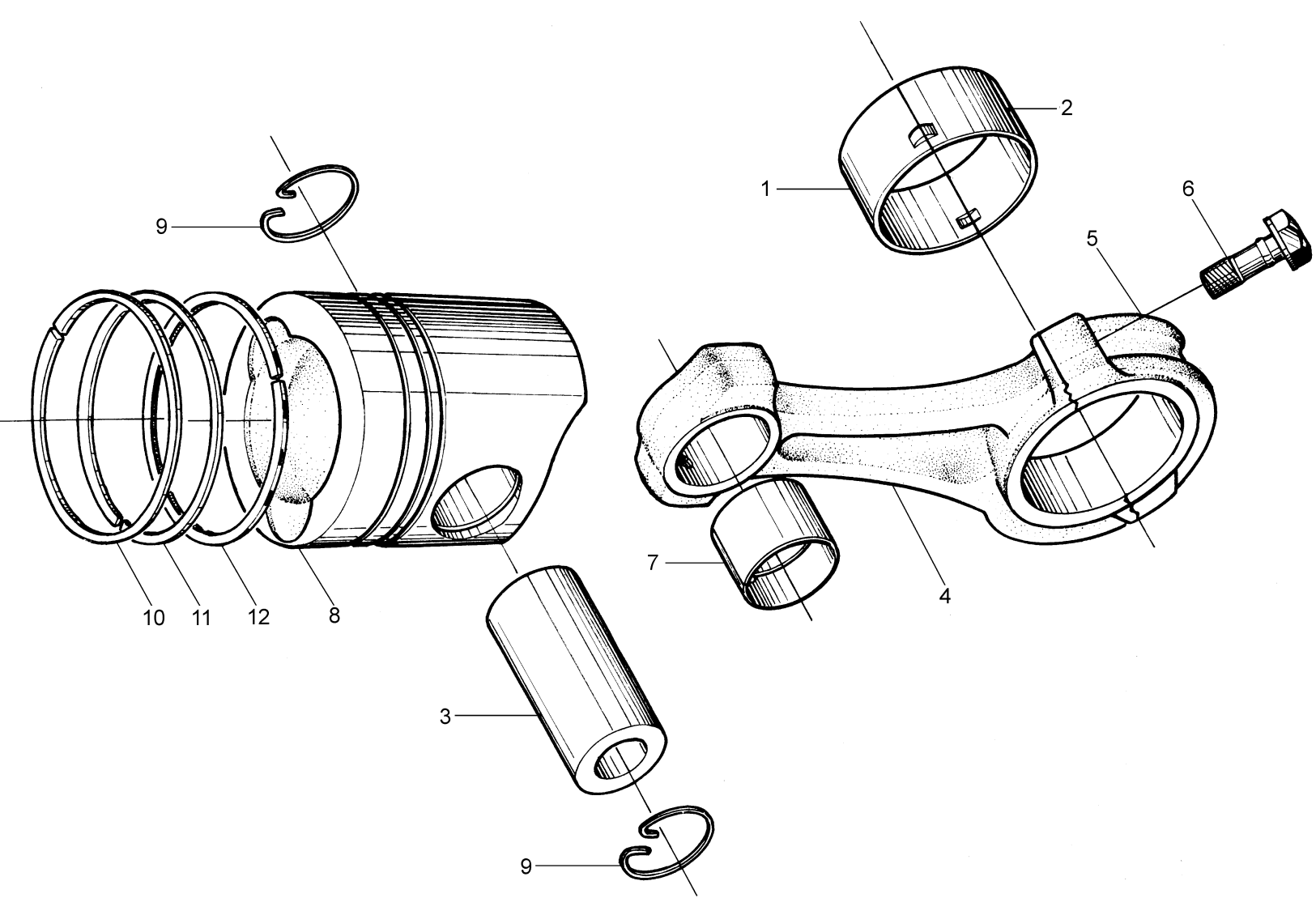
A1- 5

## WD615 CRANK SHAFT, FLYWHEEL/ 曲轴飞轮

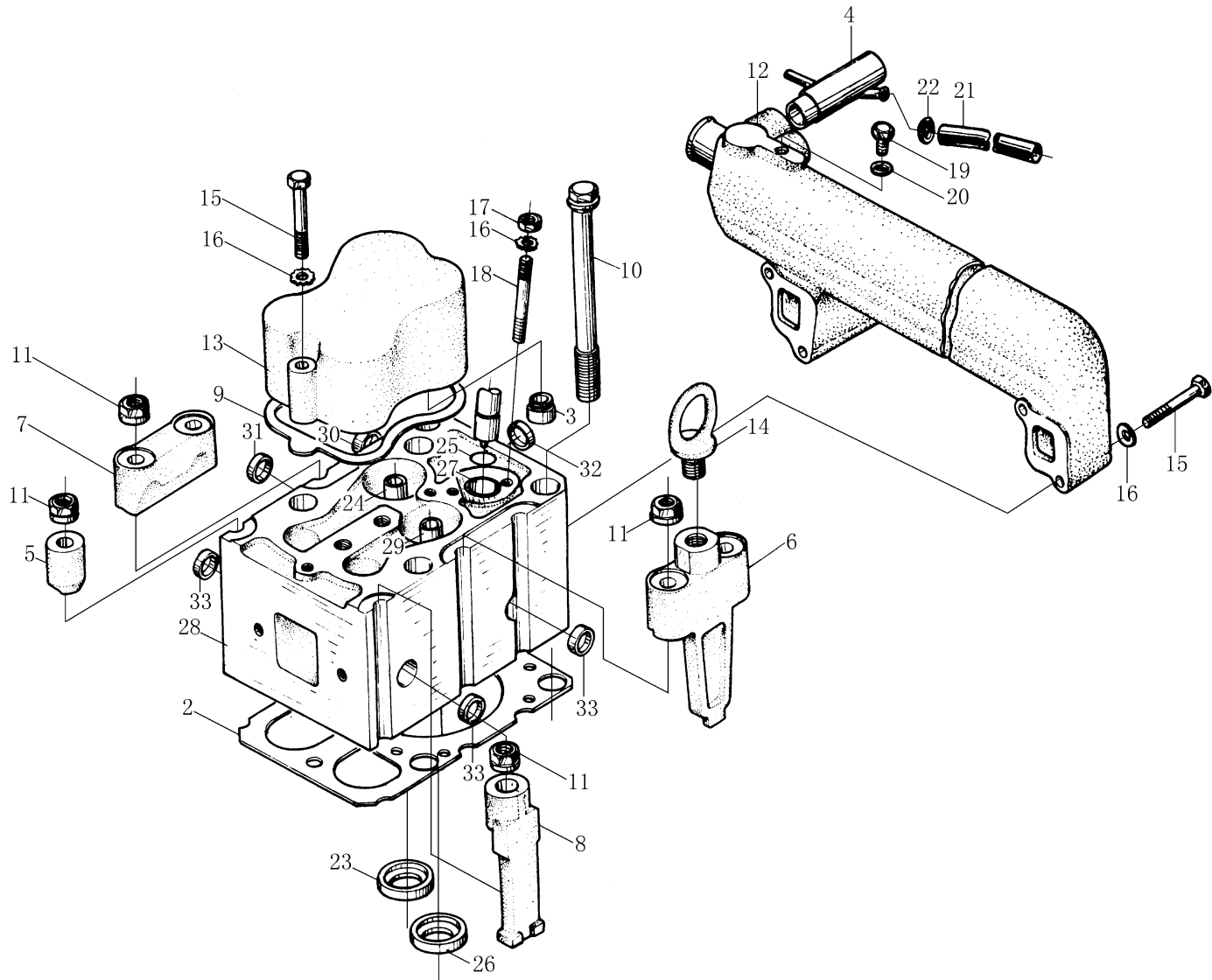
No	Number of part	Quantity & Applicability				Description	Designation	名称	Remark
		69	47	62	87				
1	61500020071			1	1		CrankshaftC	曲轴总成	
	61560020029	1	1				CrankshaftC	曲轴总成	
	61500020012			1	1		Crank shaft	曲轴	
	61200020024	1	1				Crank shaft	曲轴	
2	61500020046	9	9	9	9		Screw	六角头螺栓	
3	61560020017	1	1	1			Belt pulley	皮带轮	
3	61560020016				1		Belt pulley	皮带轮	
4	61560020010	1	1	1	1	Φ280	Vibration damper	减振器	
5	61560020041	1	1	1	1		Fly wheelC	飞轮	
6	81400020015	1	1	1	1		Ring gear	飞轮齿圈	
7	90003802558	8	8	8	8	M10× 70	Screw	六角头螺栓	
8	90003871305	2	2	2	2	M10 D0934	Nut	I型六角螺母	
9	90003813571	2	2	2	2	M10× 90	Stud	双头螺柱	
10	90003311416	1	1	1	1	63052RSD00625	Ball bearing	向心球轴承	
11	90003934310	1	1	1	1	62× 2	Circlip	孔用弹性挡圈	
12	61500020070	1	1	1	1		Flange	法兰	
13	614 020038	1	1	1	1		Crank shaft wheel	曲轴齿轮	
14	90003961504	6	6	6	6	10h8× 10	Cylindrical pin	圆柱销	
15	90003960569	1	1	1	1	A8× 7× 28	Key	普通平键	
16	90003932024	12	12	12	12	B10	Spring, washer	波形弹性垫圈	
17	90003800579	10	10	10	10	M10× 85	Screw	六角头螺栓	
18	81500060228	2	2	2	2	2× 12.5× 1125	V- belt- water pump	三角皮带- 水泵	
19	90003901418	1	1	1	1	8m6× 18	Cylindrical pin	圆柱销	

16

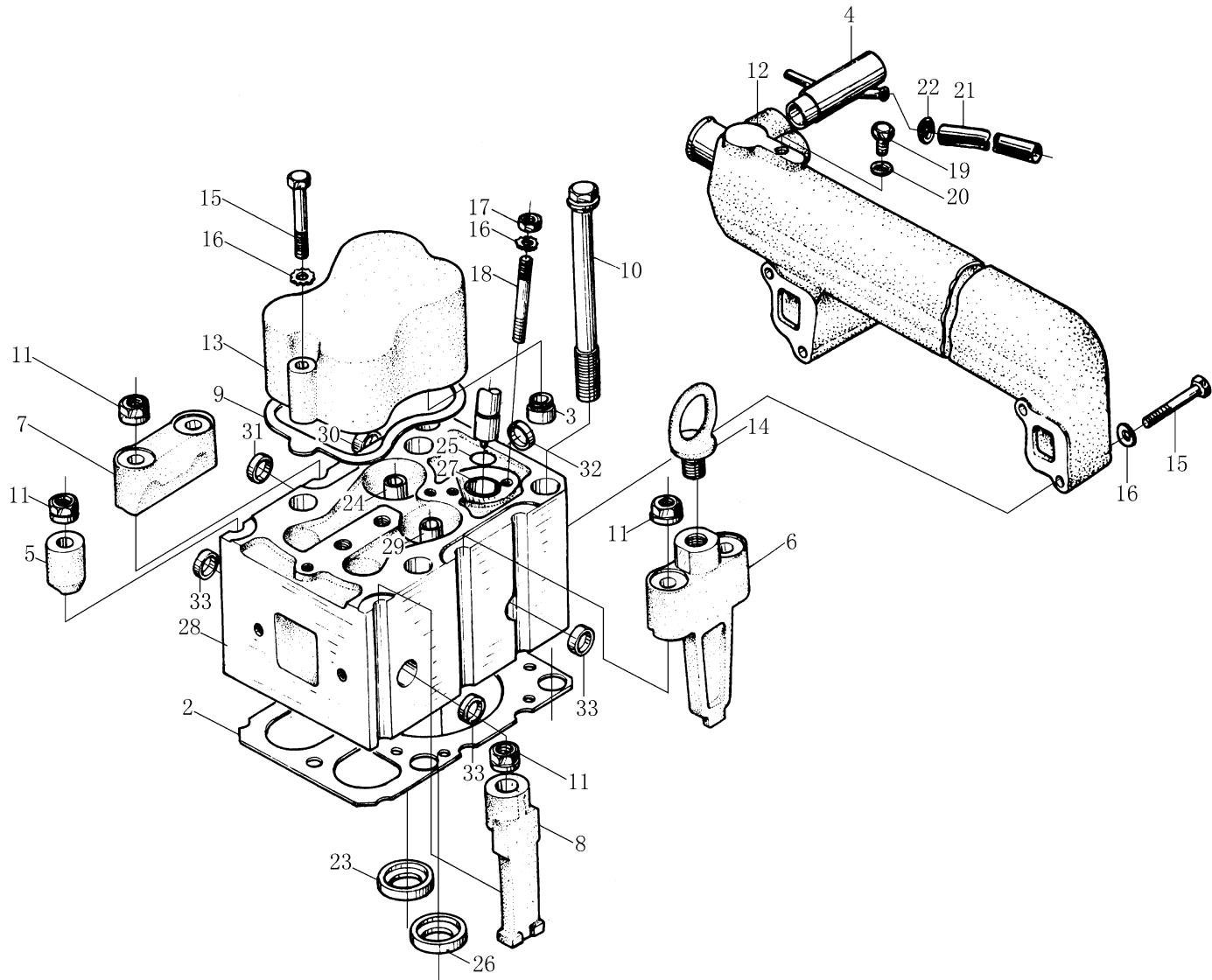
A1



No	Number of part	Quantity & Applicability				Description	Designation	名称	Remark
		69	47	62	87				
1	61560030033	6	6	12	12		Sheel pin	连杆轴瓦	
2	61560030034	6	6				Sheel pin	连杆轴瓦 上瓦	
3	61560030013	6	6	6	6		Bolt	活塞销	
4	61500030009	6	6	6	6		Connecting rod assembly	连杆总成	
4_1	61500030008	6	6	6	6		Connecting rod	连杆体	
4_2	61500030022	6	6	6	6		Connecting cover	连杆盖	
4_3	81500030023	12	12	12	12		Screw	连杆螺栓	
4_4	61500030067	6	6	6	6		Bush	连杆衬套	
8	61560030042	6	6	6	6		Piston assembly	活塞总成	
8_1	61560030043	6	6	6	6		Piston	活塞	
8_2	81560030012	12	12	12	12		Bolt	活塞销挡圈	
8_3	61560030047	6	6	6	6		Double laddering	梯形环	
8_4	61560030078	6	6	6	6		Conical ring	锥面环	
8_5	61560030045	6	6	6	6		Spiral spring oil ring	螺旋撑簧油环	



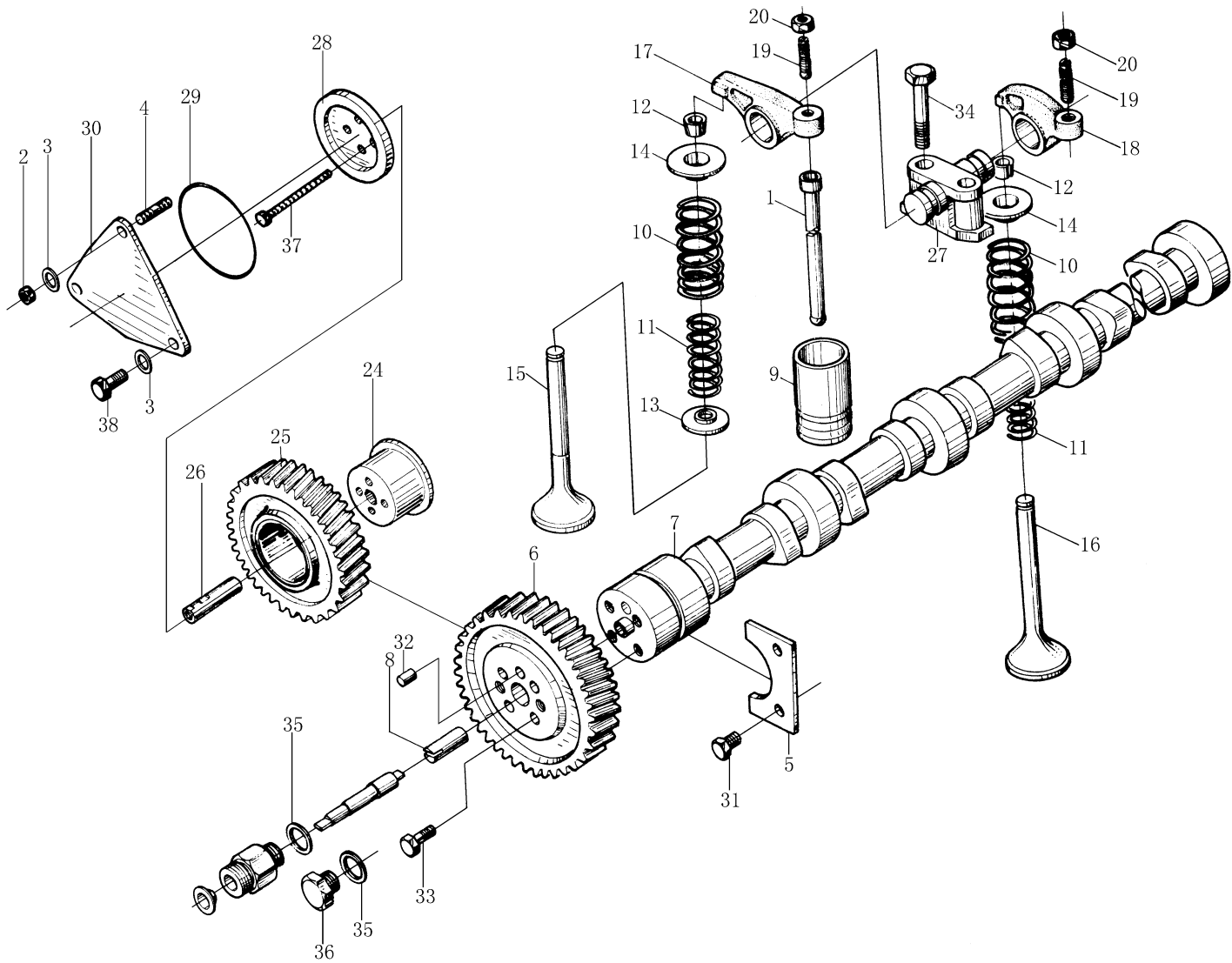
No	Number of part	Quantity & Applicability				Description	Designation	名称	Remark
		69	47	62	87				
1	61500040058	6	6	6	6		Cylinder head	气缸盖总成	
2	61500040049	6	6	6	6		Joint	气缸盖衬垫	
3	61560040032	12	12	12	12		Scraper	气门杆密封套	
4	61500060045	1	1	1	1		Connecting piece	管接头组件	
5	61200040023	5	5	5	5		Clip	夹紧块	
6	61500040012	2	2	2	2		Clip	吊环夹紧块	
7	61500040009	5	5	5	5		Clip	夹紧块	
8	61200040027	2	2	2	2		Clip	夹紧块	
9	61560040039	6	6	6	6		Joint	气缸盖罩衬垫	
10	61500040023	24	24	24	24		Screw	气缸盖主螺栓	
11	61200040034	21	21	21	21		Nut	带肩螺母	
12	61500040102	1	1	1	1		Pipe	出水管	
13	614 040065	6	6	6	6		Cover	气缸盖罩	
14	614 010388	2	2	2	2		Screw	吊环螺钉	
15	90003800466	24	24	24	24	M8× 60 D00931	Screw	六角头螺栓	
16	90003932023	24	24	24	24	B8 D00137	Spring washer	波形弹性垫圈	
17	90003871252	12	12	12	12	M8 D00934	Nut	I型六角螺母	
18	90003813471	12	12	12	12	M8× 70 D00939	Stud	双头螺柱	
23	61560040057	6	6	6	6		Ring	进气门座	
24	61560040051	12	12	12	12		Valve guide	气门导管	
25	406 060010	6	6	6	6		Gasket	环状密封圈	
26	81560040037	6	6	6	6	for outlet	Valve- seat ring	排气门座	
27	61560040049	6	6	6	6		Nozzle holder	喷油器衬套	
28	61500040040	6	6	6	6		Cylinder head	气缸盖	



A1- 7

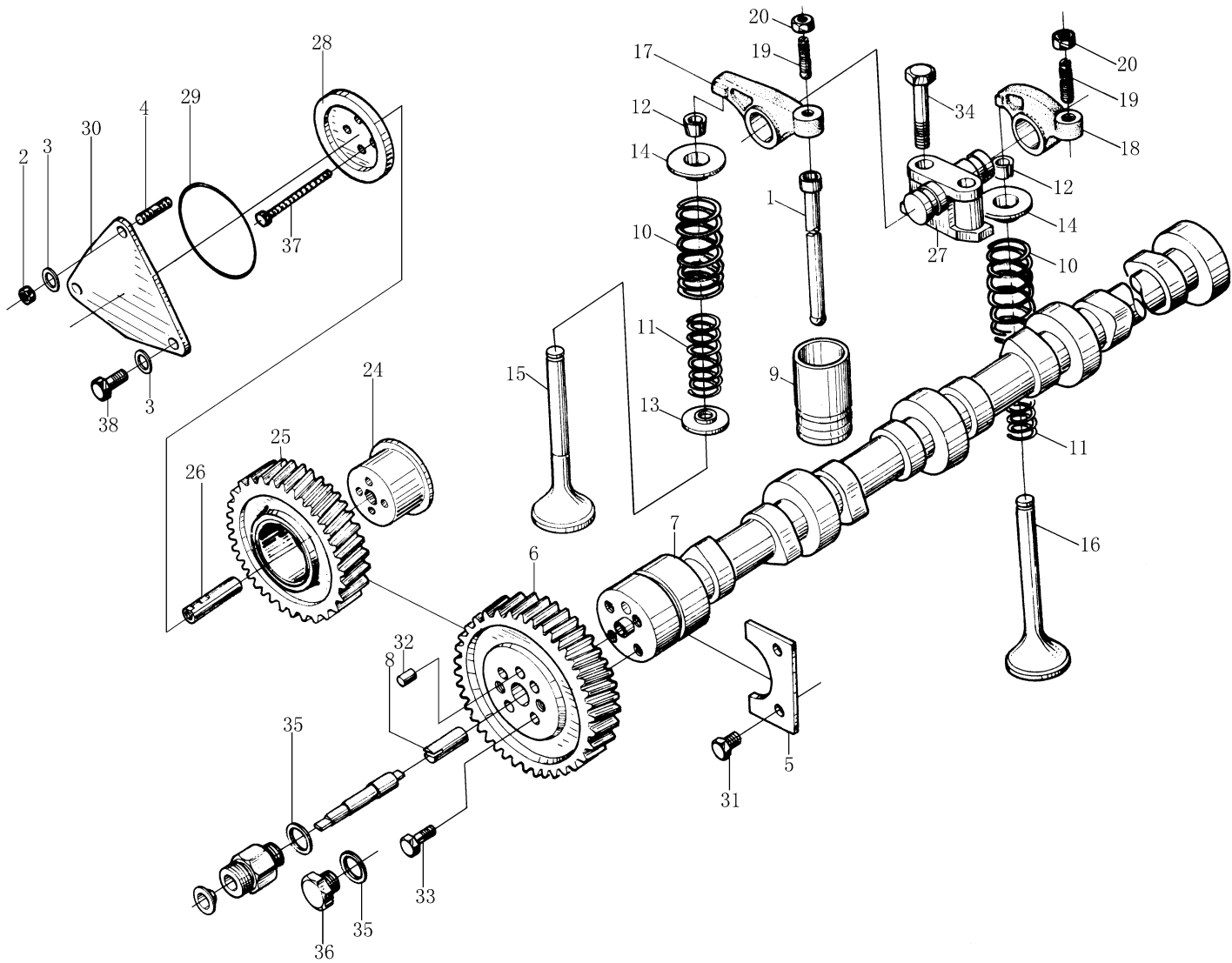
WD615 CYLINDER HEAD/ 气缸盖总成

No	Number of part	Quantity & Applicability				Description	Designation	名称	Remark
		69	47	62	87				
29	61500040014	6	6	6	<b>6</b>		Spring base	排气门弹簧下座	
30	90003989277	6	6	6	<b>6</b>	12/ 8 N05564	Cover plug	碗形塞片	
31	90003989721	6	6	6	<b>6</b>	22/ 8 N05564	Cover plug	碗形塞片	
32	90003989725	6	6	6	<b>6</b>	25/ 8 N05564	Cover plug	碗形塞片	
33	90003989294	24	24	24	<b>24</b>	30/ 8 N05564	Cover plug	碗形塞片	

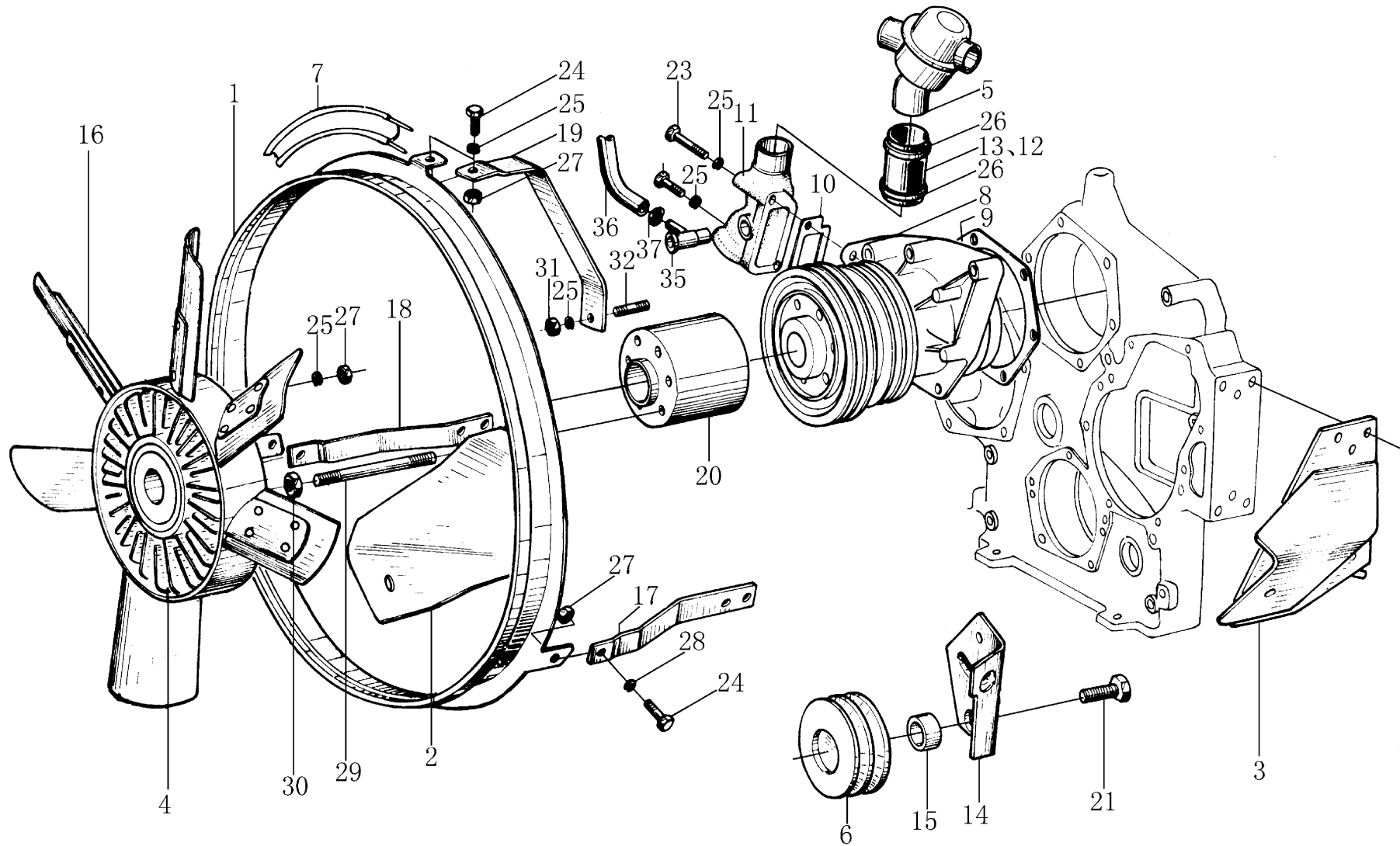




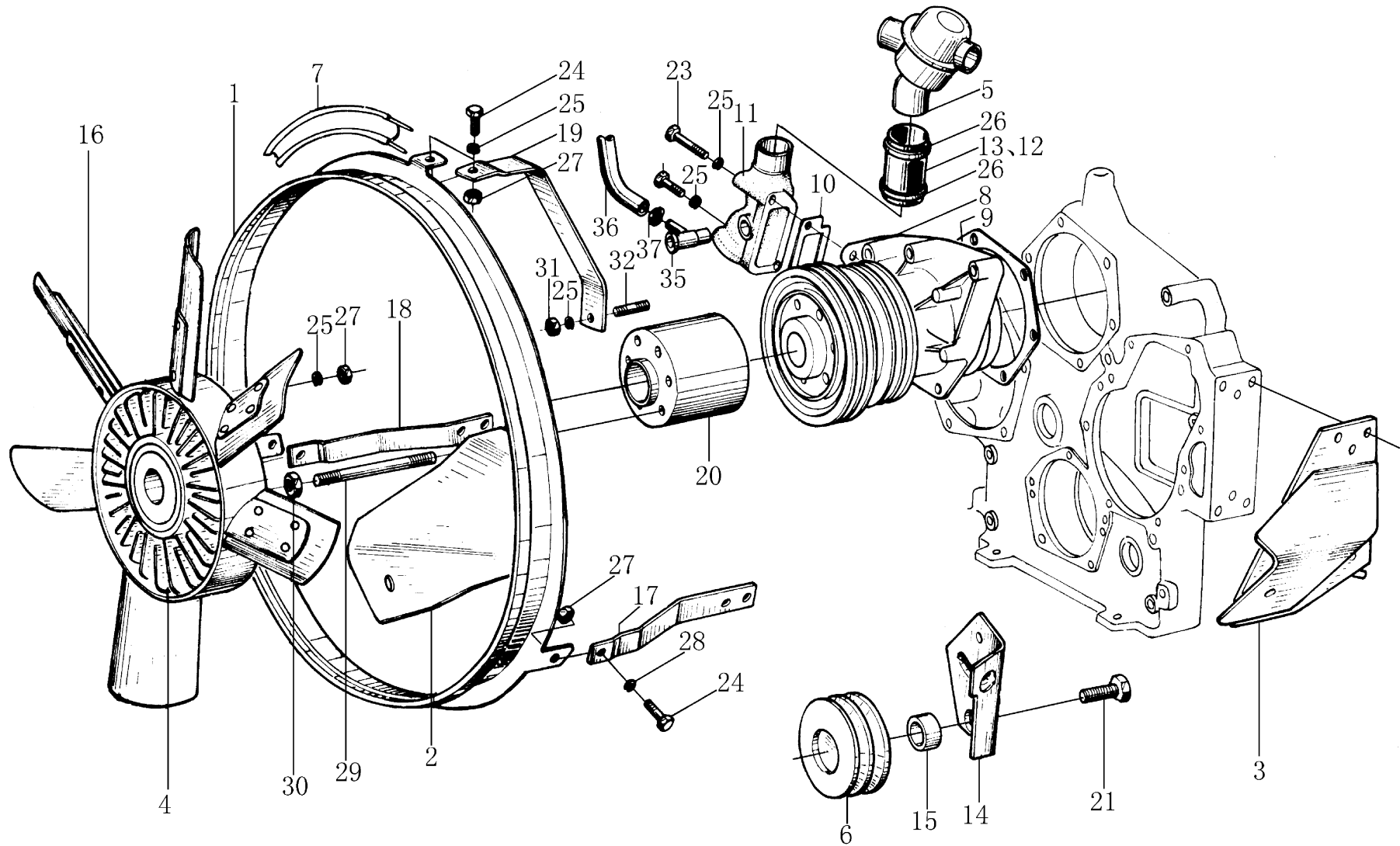
No	Number of part	Quantity & Applicability				Description	Designation	名称	Remark
		69	47	62	87				
1	614 050058C			12	12		Push rod	气门推杆总成	
1	81500050070	12	12				Push rod	气门推杆总成	
2	90003871252	2	2	2	2		Nut	I型六角螺母	
3	90003932023	3	3	3	3		Spring washer	波形弹性弹垫圈	
4	90003813414	2	2	2	2		Stud	双头螺柱	
4a	90003862419	1	1	1	1		Screw	内六角圆柱头螺钉	
5	614 050133	1	1	1	1		Flange	凸轮轴止推片	
6	614 050053	1	1	1	1		Camshaft gear	凸轮轴正时齿轮	
7	61560050004			1	1		Camshaft	凸轮轴	
7	61500050096	1	1				Camshaft	凸轮轴	
8	614 050079			1	1		Driver	驱动销	
8	90003901409	1	1	1	1		Pin	圆柱销	
9	61500050032	12	12	12	12		Push rod	气门挺杆	
10	61500050002	12	12	12	12		Outer valve spring	气门外弹簧	
11	61500050001	12	12	12	12		Inner valve spring	气门内弹簧	
12	81500050021	24	24	24	24		Valve cone	气门夹锁	
12	61500050025						Valve cone	气门夹锁	
13	614 050017	6	6	6	6		Spring base	进气门弹簧下座	
14	61500050109	12	12	12	12		Spring base	气门弹簧下座	
15	61460050007	6	6	6	6		Intake valve	进气门	
15	61560050042						Intake valve	进气门	
16	61560050041	6	6	6	6		Exhaust valve	排气门	
17	614 050048	6	6	6	6		Rocker arm	进气门摇臂	
18	614 050049	6	6	6	6		Rocker arm	排气门摇臂	
19	614 050010	12	12	12	12		Screw	气门间隙调整螺钉	



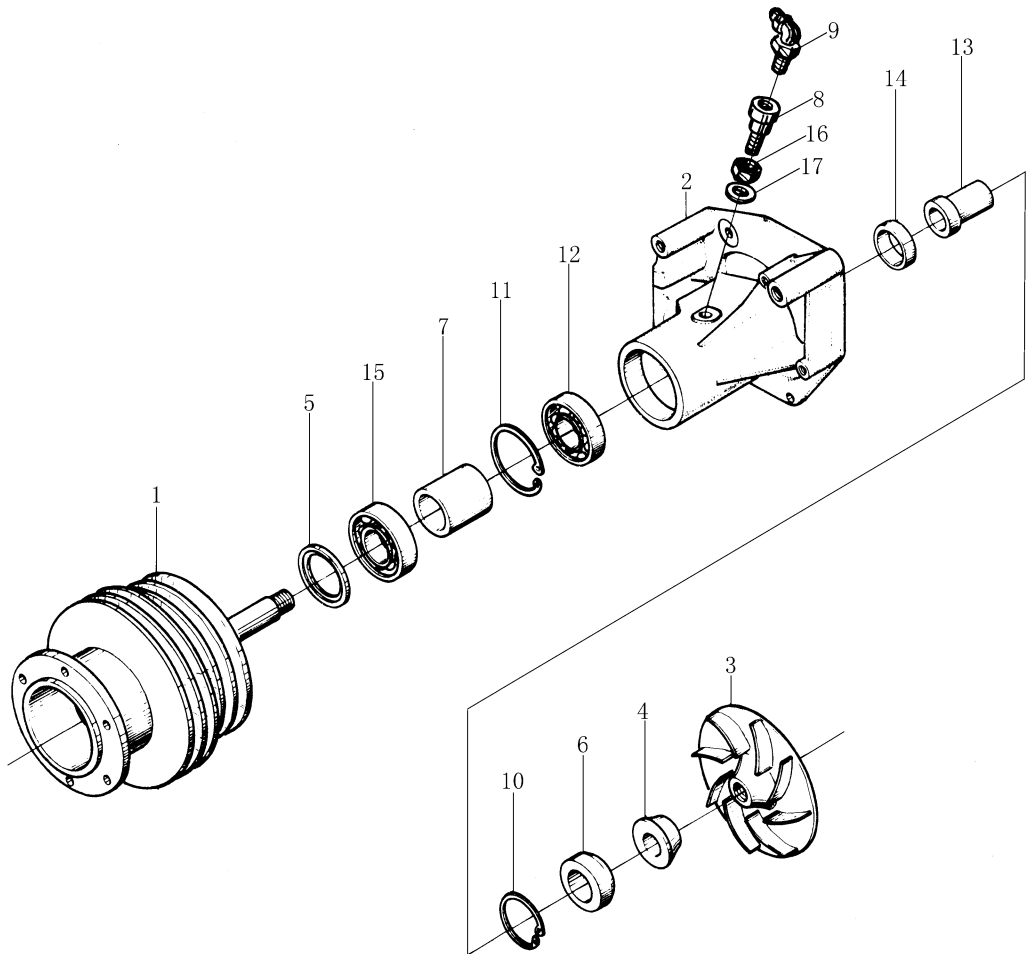
No	Number of part	Quantity & Applicability				Description	Designation	名称	Remark
		69	47	62	87				
20	2130050065	12	<b>12</b>	12	12		Nut	气门间隙调整螺母	
24	61560050044	1	<b>1</b>	1	1		Idle gear shaft	中间齿轮轴	
25	61560050053	1	<b>1</b>	1	1		Idle gear	中间齿轮总成	
26	61560050058	1	<b>1</b>	1	1		Shaft	轴	
27	614 050119	6	<b>6</b>	6	6		Rockorarm support	气门摇臂座	
28	61560050045	1	<b>1</b>	1	1		Cover	挡板	
29	90003120602	1	<b>1</b>	1	1		Seal ring	密封圈	
30	61560050046A	1	<b>1</b>	1	1		Cover	盖板	
31	90003802411	2	<b>2</b>	2	2	M8× 16 DIN933- 8 · 8Zn	Screw	六角头螺栓	
32	90003901409	1	<b>1</b>	1	1	8m6× 12 DIN7	Dowel	圆柱销	
33	90003802443	4	<b>4</b>	4	4	M8× 20 DIN933- 10. 9Zn	Screw	六角头螺栓	
34	90003802655	12	<b>12</b>	12	12	M10× 60 DIN933- 10. 9Zn	Screw	六角头螺栓	
37	61560050059	4	<b>4</b>	4	4		Screw	六角头螺栓	
38	61500050105	12	<b>12</b>	12	12		Air valve cap	气门帽	
39	90003862419	1	<b>1</b>	1	1		Bolt	圆柱头六角螺栓	



No	Number of part	Quantity & Applicability				Description	Designation	名称	Remark
		69	47	62	87				
1	61560060004	1	1	1	1		Ring	护风罩总成	
2	99100590006	1	1	1	1		Bracket L.	左支架	
3	99100590009	1	1	1	1		Bracket R.	右支架	
4	61500060226	1	1	1	1	Option	Visw hub	硅油离合器风扇	
5	614 060135	1	1	1	1		Thermostate	节温器总成	
5	61500060116	1	1	1	1	Option	Thermostate 71°C	节温器总成	
6	61560060069	1	1	1	1		Roll C	张紧轮总成	
7	AZ1560060016	1	1	1	1		Siphon	护风带总成	
8	61500060229	1	1	1	1		Water pump C	水泵总成	
9	614 060008	1	1	1	1		Joint	水泵密封垫	
10	614 060024	1	1	1	1		Joint	水管接头垫片	
11	61560060022A	1	1	1	1		Nozzle	水管接头	
12	61000060262	1	1	1	1		Hose	胶管	
13	61000060276	1	1	1	1		Hose	橡胶管(带纤维夹层)	
14	61560060021	1	1	1	1		Lashing	张紧轮支撑板	
15	614 060160	1	1	1	1		Sleeve	隔套	
16	61500060131	1	1	1	1		Fan	风扇	
17	61560060010	1	1	1	1		Support	支架	
18	61560060011	1	1	1	1		Support	支架	
19	61560060012	1	1	1	1		Support	支架	
20	61500060239	1	1	1	1		Flange	中间法兰	
21	90003802672	1	1	1	1		Screw	六角头螺栓	



No	Number of part	Quantity & Applicability				Description	Designation	名称	Remark
		69	47	62	87				
23	90003800467	1	<b>1</b>	1	1	M8× 75 DIN931	Screw	六角头螺栓	
24	90003802424	8	<b>8</b>	8	8	M8× 25 DIN933	Screw	六角头螺栓	
25	90003932023	12	<b>12</b>	12	12	B8 DIN137	Spring washer	波形弹性垫圈	
26	90003989306	4	<b>4</b>	4	4	38/ 54 N05074	Strap	软管卡箍	
27	90003888451	11	<b>10</b>	11	11	VM8 DIN980	Nut	螺母	
28	90003937283	3	<b>3</b>	3	3	9KN0688	Washer	垫圈	
28a	90003930261	9	<b>9</b>	9	9	A8. 4 DIN125Zn	Washer	垫圈	
29	90003810020	6	<b>6</b>	6	6	M10× 120 DIN939- 88	Stud	双头螺栓	
30	90003888452	6	<b>6</b>	6	6	VM10 DIN980	Nut	螺母	
31	90003871252	1	<b>1</b>	1	1	M8 DIN934	Nut	六角螺母	
32	90003811420	1	<b>1</b>	2	2	M8× 18 DIN9398	Stud	双头螺栓	
35	AZ1560060001	1	<b>1</b>	1	1		Connector	管接头组件	
36	612600130025	1	<b>1</b>	1	1		Hose	橡胶软管	
37	90003989336	2	<b>2</b>	2	2	16/ 22 N05074Zn	Strap	软管卡箍	





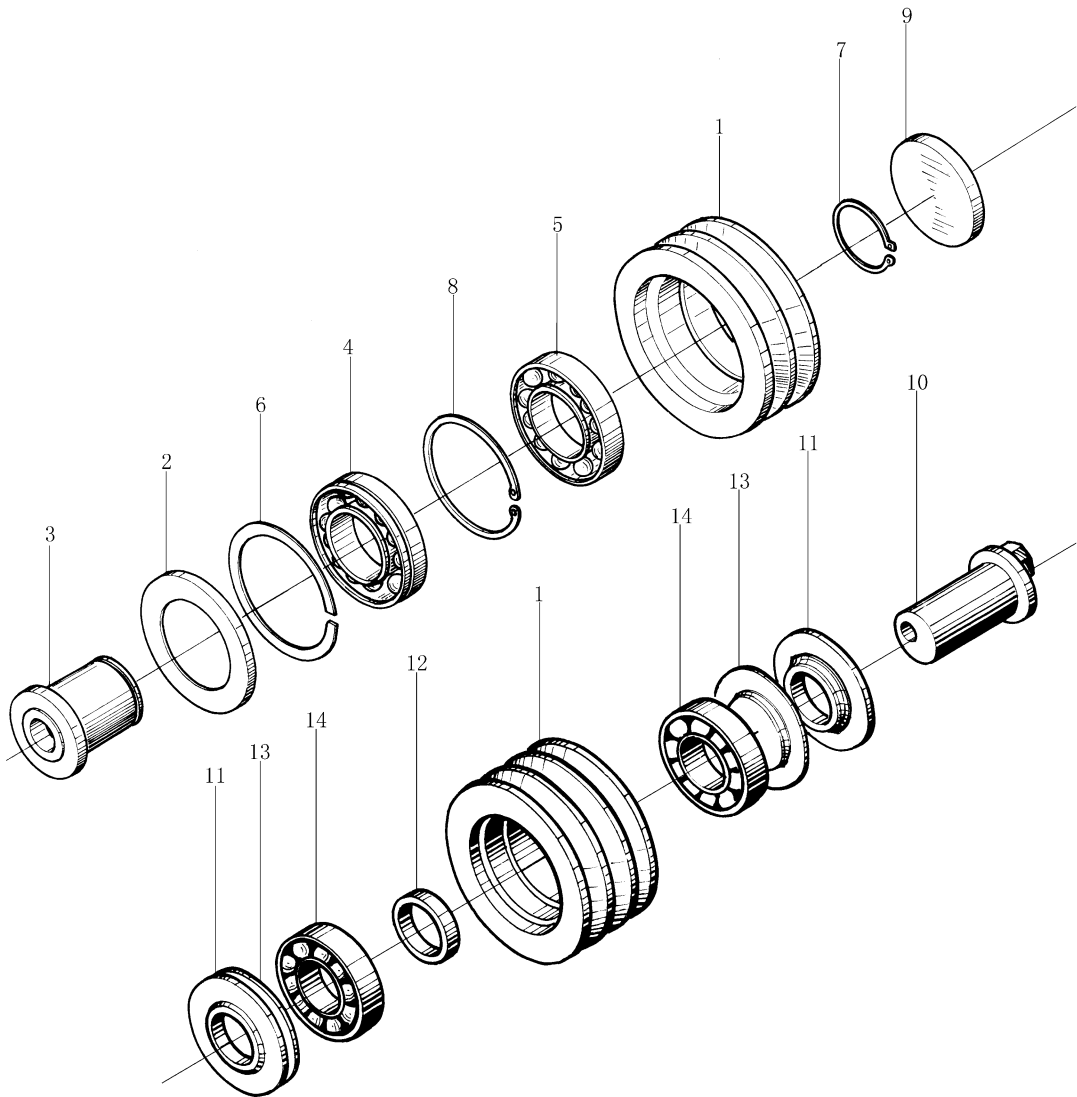
A1- 10

## WD615 612600060260, 61500060229 WATER PUMP C/ 水泵总成

No	Number of part	Quantity & Applicability				Description	Designation	名称	Remark
		69	47	62	87				
1	61500060124	1	1	1	1		Belt pulley	皮带轮	
2	61500060234	1	1	1	1		Housing	水泵体	
3	61500060249	1	1	1	1		Bottom roller	水泵叶轮	
6	61200062034	1	1	1	1		Joint	水封	
7	61500060251	1	1	1	1		Pipe	支承套	
8	612600060192	1	1	1	1		Butter cup assembly	黄油杯总成	
10	90003934311	1	1	1	1	62x 3 DIN472	Circclip	孔用弹性挡圈	
11	90003311179	1	1	1	1	6206RSC 3DIN625 NV 2206E D05412/TCP	Ball bearing	向心球轴承	
12	90003320110	1	1	1	1		Cyl roller bear	圆柱滚子轴承	
13	61500060248	1	1	1	1		Shaft	轴	

32

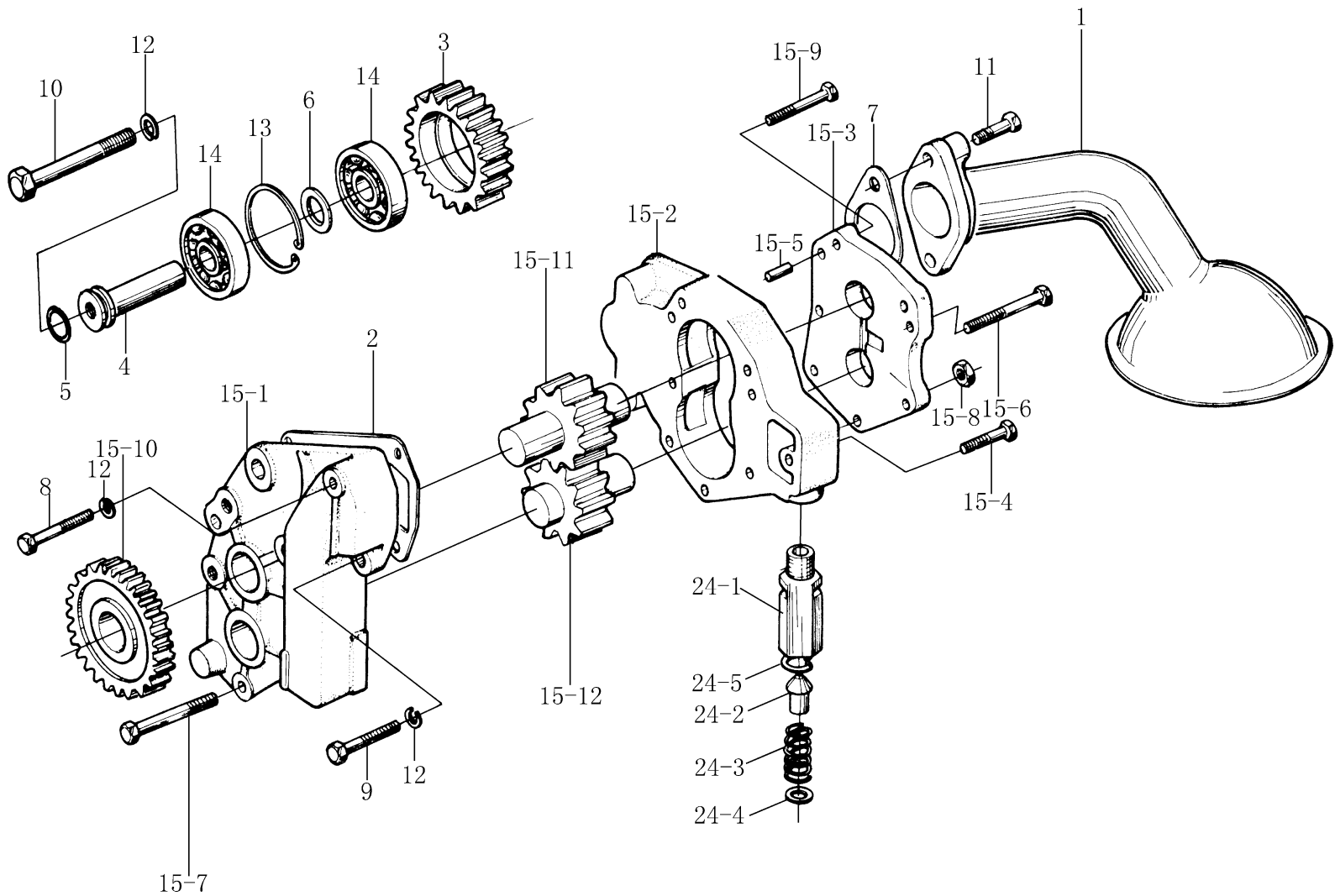
A1



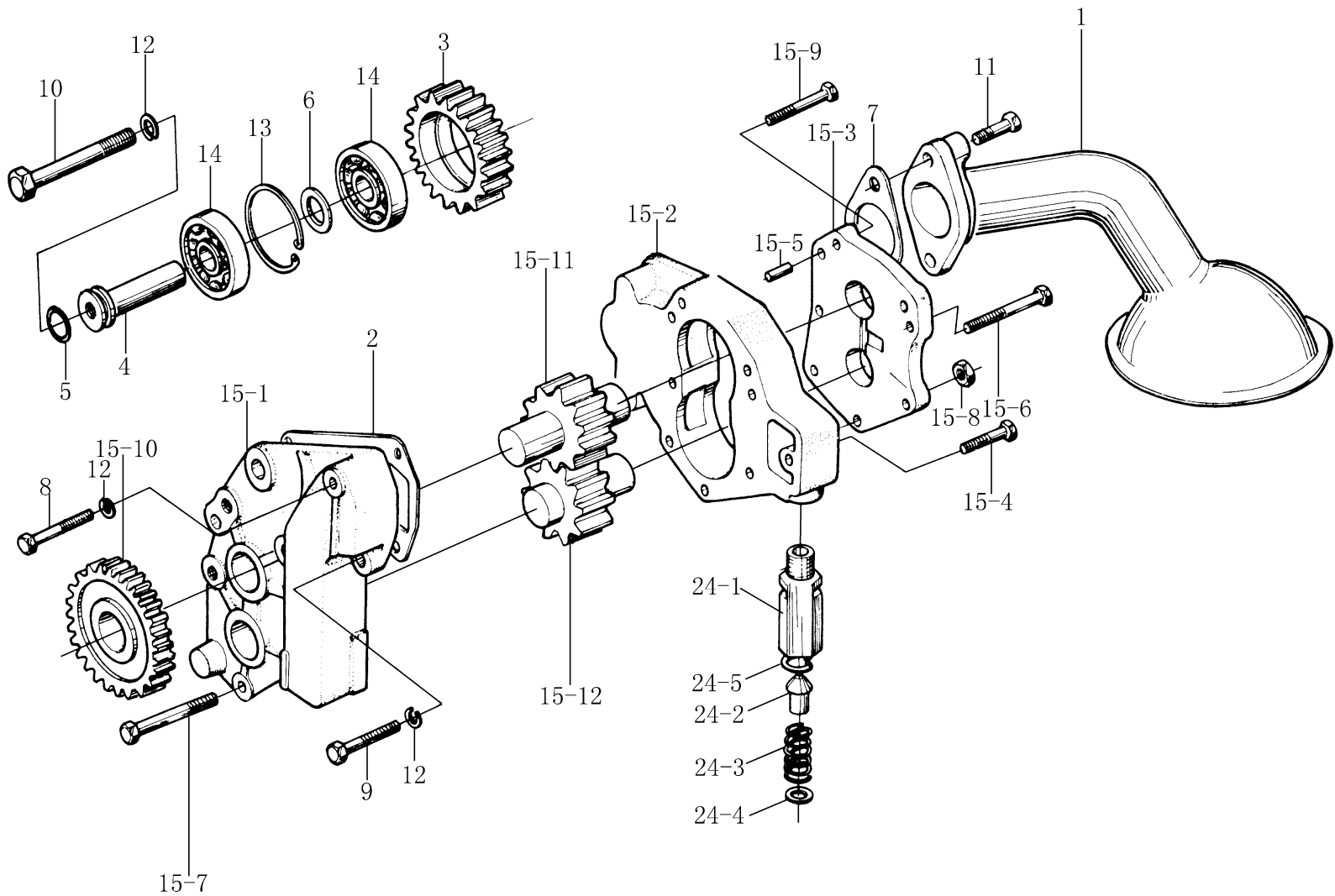
A1- 11

WD615 61400060161、61560060069 ROLL WHEEL C/ 张紧轮总成

No	Number of part	Quantity & Applicability				Description	Designation	名称	Remark
		69	47	62	87				
10	61560060070	1	1	1	1		Tension pulley	张紧轮	
11	61560060071	1	1	1	1		Pin	偏心销	
12	61560060072	1	1	1	1		Cover	盖	
13	61560060073	1	1	1	1		Spacer	隔套	
14	61560060074	1	1	1	1		Ring	防护圈	
15	90093310067	1	1	1	1		Ball bearing	向心球轴承	



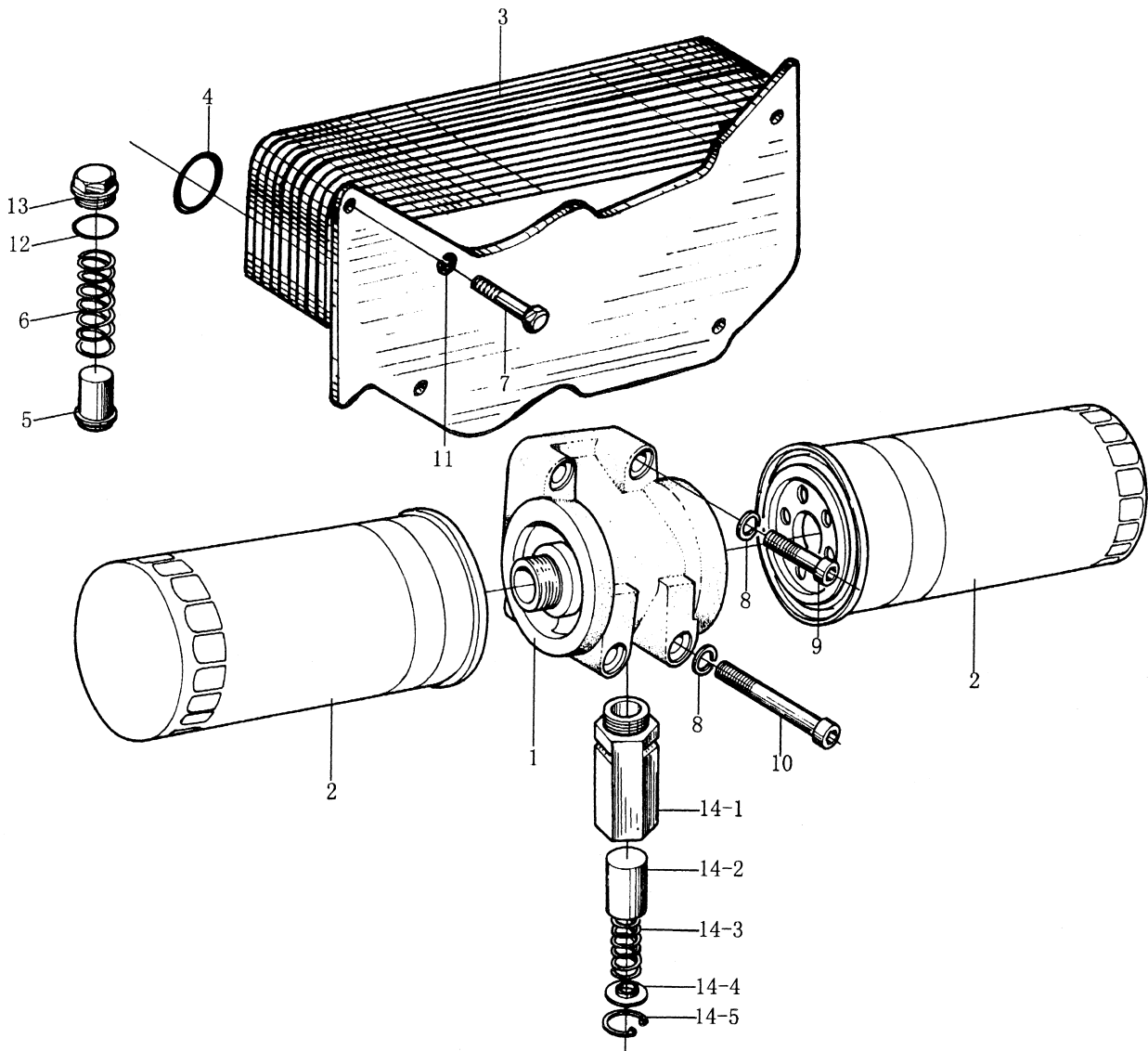
No	Number of part	Quantity & Applicability				Description	Designation	名称	Remark
		69	47	62	87				
1	61500070082	1	1	1	1		Suction pipe	集滤器总成	
2	614 070055	1	1	1	1		Gasket	机油泵垫片	
3	614 070061	1	1	1	1		Idler gear	机油泵中间齿轮	
4	614 0756	1	1	1	1		Axle	中间齿轮轴	
5	614 070155	1	1	1	1		O- ring	密封圈	
6	614 0749	1	1	1	1		Ring	中间隔圈	
7	614 0778	1	1	1	1		Joint	垫片	
8	90003800551	1	1	1	1	M10× 55 DIN931	Screw	六角头螺栓	
9	90003802527	1	1	1	1	M10× 30 DIN933	Screw	六角头螺栓	
10	90003802578	1	1	1	1	M10× 95 DIN933	Screw	六角头螺栓	
11	90003802523	2	2	2	2	M10× 25 DIN933	Screw	六角头螺栓	
12	90003931122	2	2	2	2	B10 DIN127	Washer	弹簧垫圈	
13	90003934732	1	1	1	1	47× 1.75 DIN984	Circlip	带凸齿的孔用挡圈	
14	90003311410	2	2	2	2	6303 DIN625	Ball bearing	向心球轴承	
15	AZ1500070021	1	1	1	1	tooth width 44.98	Oil pump	机油泵总成	
15_1	61500070029	1	1	1	1		Front cover	机油泵前盖	
15_2	AZ1500070015	1	1	1	1		Housing	机油泵壳体	
15_3	61500070024	1	1	1	1		Rear cover	机油泵后盖	
15_4	90003800441	1	1	1	1	M8× 45 DIN931	Screw	六角头螺栓	
15_5	90003901420	4	4	4	4	8m6× 20 DIN7	Pin	圆柱销	
15_6	90003800458	4	4	4	4	4M8× 70 DIN931	Screw	六角头螺栓	
15_7	90003800465	1	1	1	1	M8× 80 DIN931	Screw	六角头螺栓	
15_8	90003871252	1	1	1	1	M8 DIN934	Nut	I型六角螺母	
15_9	AZ90003860010	1	1	1	1	M8× 65 DIN931	Screw	内六角圆柱头螺钉	
15_10	614 070060	1	1	1	1		Gear	机油泵驱动齿轮	



A1- 12

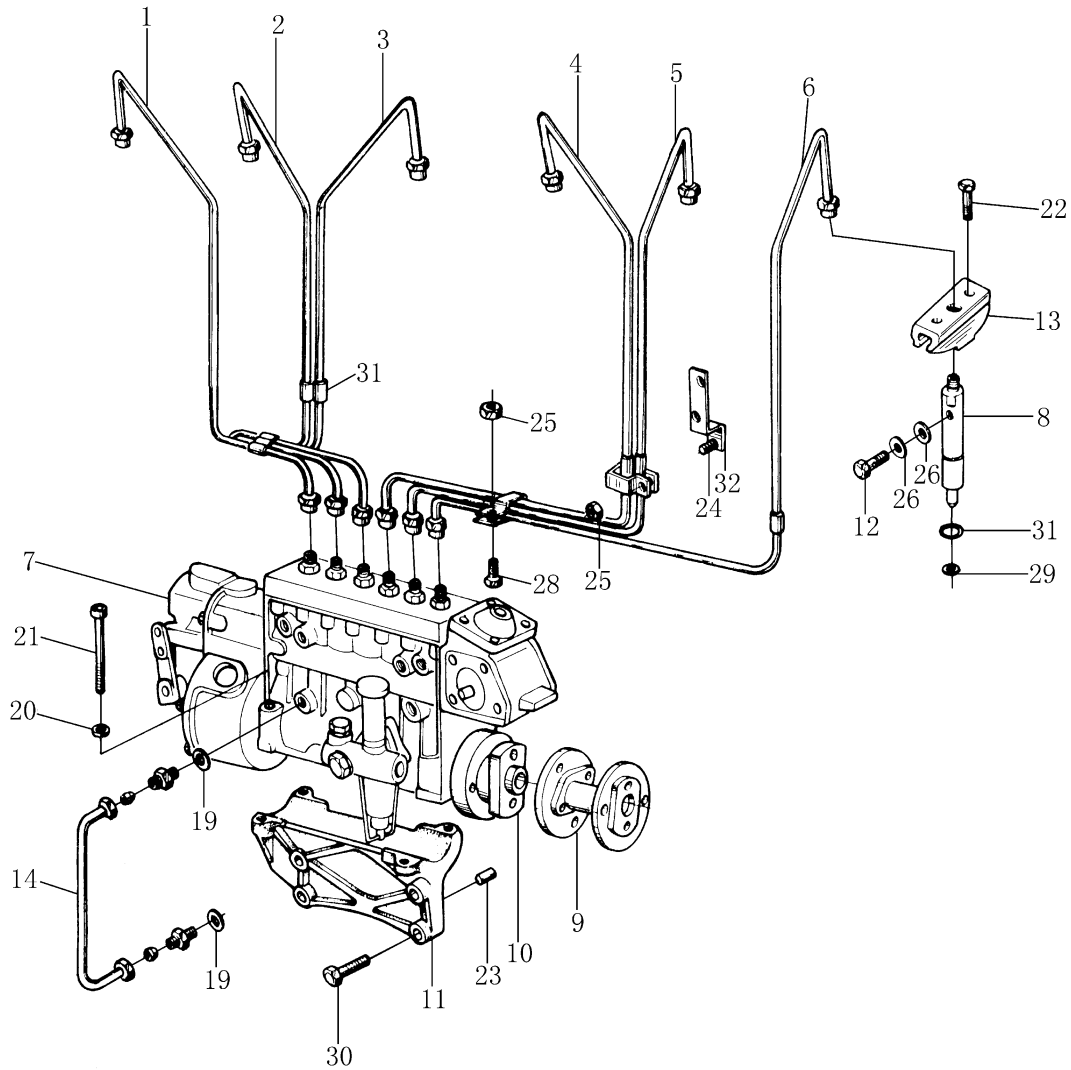
## WD615 OIL PUMP, OIL FILTER | / 机油泵和机油滤清器( | )

No	Number of part	Quantity & Applicability				Description	Designation	名称	Remark
		69	47	62	87				
15_11	AZ1500070019	1	1	1	1		Gear	机油泵齿轮总成	
15_12	AZ1500070020	1	1	1	1		Gear	机油泵齿轮总成	
24	61500070099	1	1	1	1		Release valve C	机油泵限压阀总成	
24_1	61500070098	1	1	1	1		Valve body	限压阀体	
24_2	614 070130	1	1	1	1		Valve cone	限压阀	
24_3	614 070131	1	1	1	1		Valve spring	弹簧	
24_4	681 270027	1	1	1	1		Washer	垫片	
24_5	AZ9003930011	1	1	1	1		Circlip	孔用弹性挡圈	

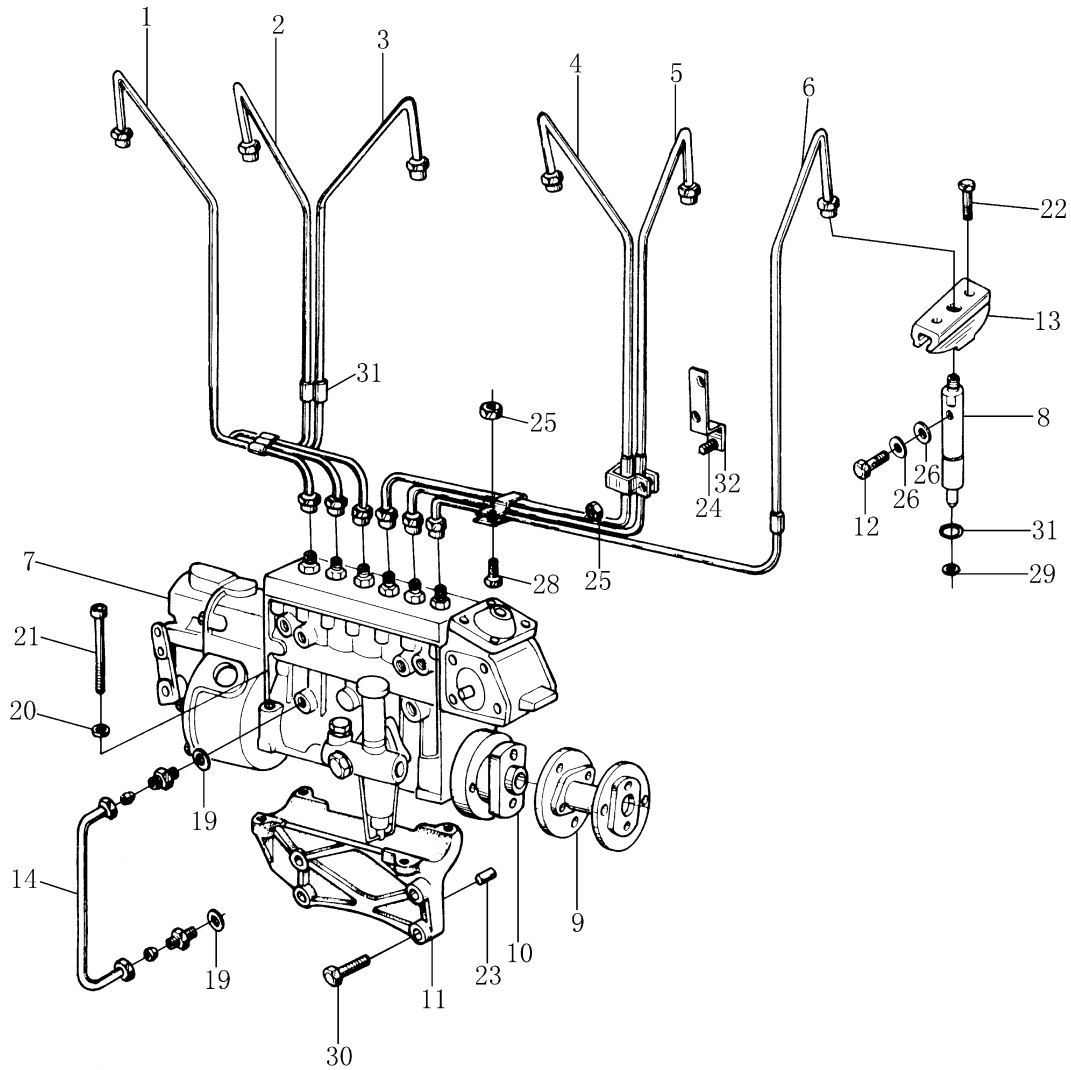




No	Number of part	Quantity & Applicability				Description	Designation	名称	Remark
		69	47	62	87				
1	61500070051	1	1	1	1		Filter head	滤清器座组件	
2	61000070005	2	2	2	2		Filter element	旋转式机油滤芯总成	
3	61500010334	1	1	1	1		Oil radiator	机油冷却器芯总成	
4	81400010032	2	2	2	2		Joint	密封圈	
5	614 070069	1	1	1	1		Valve cone	安全阀	
6	614 070068	1	1	1	1		Spring	安全阀弹簧	
7	90003802455	8	8	8	8	M8× 55 DIN933- 8 · 8Zn	Screw	六角头螺栓	
8	90003932023	4	4	4	4	B8 DIN137Zn	Spring washer	波形弹性垫圈	
9	90003862443	2	2	2	2	M8× 40 DIN912- 8 · 8Zn	Screw	内六角圆柱头螺钉	
10	90003862482	2	2	2	2	M8× 90 DIN912- 8 · 8Zn	Screw	内六角圆柱头螺钉	
11	90003430261	8	8	8	8	A8. 4 DIN125Zn	Gasket	小垫圈	
12	90003098086	1	1	1	1	A30× 36 DIN7603Cu	Gasket	密封圈	
13	90003962051	1	1	1	1	CM30× 1.5 DIN7604 5 · 8Zn	Screw	六角头螺塞	
14	AZ1500070097	1	1	1	1		Control valve C	主油道限压阀总成	
14_1	AZ1500070096	1	1	1	1		Valve body	阀体	
14_2	407 070032	1	1	1	1		Piston	阀	
14_3	407 070034	1	1	1	1		Spring support	主油道限压阀弹簧座	
14_4	4139070059	1	1	1	1		Spring	主油道限压阀弹簧	
14_5	AZ90003930012	1	1	1	1		Circlip	孔用弹性挡圈	



No	Number of part	Quantity & Applicability				Description	Designation	名称	Remark
		69	47	62	87				
	61560080278	1	1	1	1		Injection pipe set	高压油管组	
1	61560080278- 1	1	1	1	1		Injection pipe	第 1 缸高压油管总成	
2	61560080278- 2	1	1	1	1		Injection pipe	第 2 缸高压油管总成	
3	61560080278- 3	1	1	1	1		Injection pipe	第 3 缸高压油管总成	
4	61560080278- 4	1	1	1	1		Injection pipe	第 4 缸高压油管总成	
5	61560080278- 5	1	1	1	1		Injection pipe	第 5 缸高压油管总成	
6	61560080278- 6	1	1	1	1		Injection pipe	第 6 缸高压油管总成	
7	61560080302		1				Injection pipe with adjusting governor C	波许喷油泵带全程 K 型调速器	
7	612600082115	1					Injection pipe with adjusting governor C	波许喷油泵带全程 K 型调速器	
7	612600081075				1		Injection pump	高压油泵	
7	612600083075						Injection pump	高压油泵	
7	612600087075						Injection pump	高压油泵	
7	612600081082			1			Injection pump	高压油泵	
7_1	614080719	1	1	1	1		Fuel feed pump	输油泵总成	
8	61560080276	6	6				Nozzle holder	喷油器总成	
8	61560080305			6	6		Nozzle holder	喷油器总成	
8_1	61560080276_1	6	6				Injection nozzle	喷油嘴	
8_1	61560080305_1			6	6		Injection nozzle	喷油嘴	
9	61560080275	1	1	1	1		Spacer	联轴器法兰组件	
10	61560080261	1	1	1	1		Flange	法兰	
11	614 080074B	1	1	1	1		Bracket	波许喷油泵托架	
12	61500080090	6	6	6	6		Hollow screw	空心螺栓	
13	61500080094A	6	6	6	6		Pressure clip	紧固压板	
14	AZ1560070026	1	1	1	1		Lubricating oil reversal	润滑油回油管总成	
15	614 080060	2	2	2	2		Clamp	管夹上片	



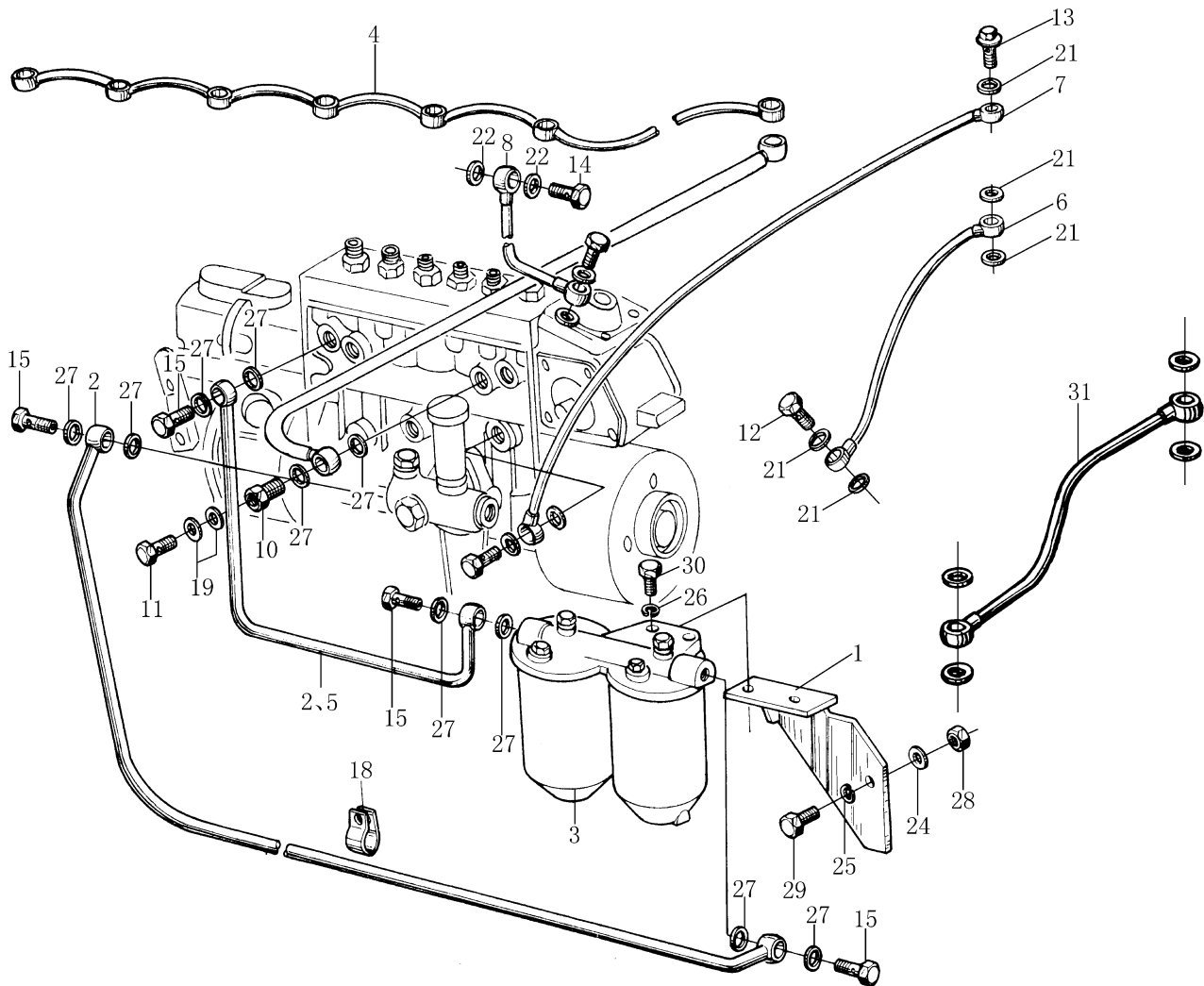
A1- 14

## WD615 INJECTION PUMP, INJECTION LINES/ 喷油泵, 高压油管

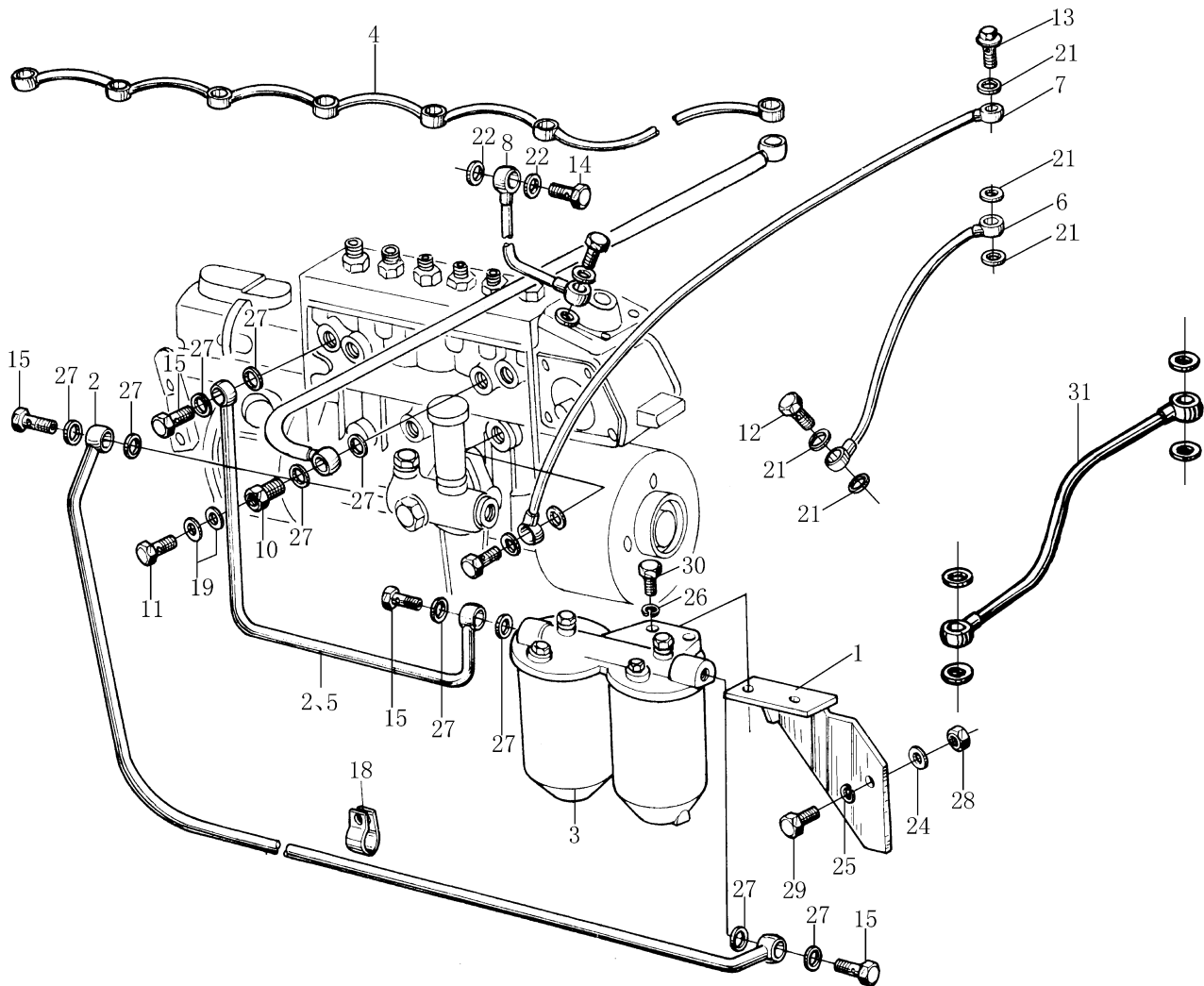
No	Number of part	Quantity & Applicability				Description	Designation	名称	Remark
		69	47	62	87				
16	614 080061	2	2	2	2		Clamp	管夹下片	
17	61560080173	2	2	2	2		Clamp	管夹片	
18	61560080174	2	2	2	2		Clamp	管夹片	
19	90003098015	12	12	12	12	A14x 20 DIN7603	Gasket	密封垫圈	
20	90003930271	4	4	4	4	A10.5 DIN00125	Washer	平垫圈	
21	90003862566	4	4	4	4	M10x 80 DIN912	Screw	内六角圆柱头螺栓	
22	90003802455	12	12	12	12	M8x 55 DIN933	Screw	六角头螺栓	
23	90003901600	2	2	2	2	12m6x 16	Dowel	圆柱销	
24	90003802321	4	4	4	4	M6x 16 DIN933	Screw	六角头螺栓	
25	90003871232	6	6	6	6	M6 DIN934	Nut	I型六角螺母	
26	90003098018	12	12	12	12	A6.5x 9.5 DIN7603	Gasket	密封垫圈	
27	90003559844	2	2	2	2	CL10 DIN2353	Screwing	管接头	
28	90003802312	2	2	2	2		Screw	六角头螺栓	
29	614 080082	6	6	6	6		Gasket	垫圈	
30	90003802650	4	4	4	4	M12x 50 DIN933	Screw	六角头螺栓	
31	609 070080	6	6	6	6		Gasket	密封垫圈	
32	61560080172	4	4	4	4		Support plate	支承架	
33	612600080213	1	1	1	1		Valve	单向阀	

44

A1



No	Number of part	Quantity & Applicability				Description	Designation	名称	Remark
		69	47	62	87				
1	61560080094	1	1	1	1		Bracket	柴油托架组件	
2	AZ1560080017	1	1	1	1		Hose	燃油管	
3	614 080295A	1	1	1	1		Fuel filter C	燃油滤清器总成	
3_1	614 080740	1	1	1	1		Pre filter element	粗滤芯	
3_2	614 080739	1	1	1	1		Fine filter element	精细滤芯	
4	61500080095	1	1	1	1		Fuel line( out)	回油管总成	
5	AZ1560080018	1	1	1	1		Hose( Bosch)	燃油管( 波许系)	
6	61560070011	1	1	1	1		Oil line	润滑油进油管总成	
7	61560070012	1	1	1	1		Oil line	润滑油进油管总成	
8	61560080159	1	1	1	1		Air line	空气管总成	
10	609 0837	1	1	1	1		Female screw	空心螺栓	
11	90003962603	1	1	1	1	A3 D1N7623	Female screw	空心螺栓	
12	90003962607	2	2	2	2	A4 D07623	Female screw	空心螺栓	
13	81500070054	1	1	1	1		Female screw( Bosch)	空心螺栓( 波许系)	
14	90003962612	2	2	2	2	A6 D07623	Female screw( Bosch)	空心螺栓( 波许系)	
15	90003962621	4	4	4	4	A8 D07623	Female screw( Bosch)	空心螺栓( 波许系)	
19	90003098008	2	2	2	2	A8x 11.5 D1N7603	Gasket	密封垫圈	
21	90003098010	7	7	7	7	A10x 13.5 D07603	Gasket	密封垫圈	
22	90003098012	4	4	4	4	A12x 15.5 D07603	Gasket( Bosch)	密封垫圈( 波许系)	
24	90003930012	2	2	2	2	10.5 D1N7349	Washer	垫圈	
25	90003932024	2	2	2	2	B10 D00137	Spring washer	波形弹性垫圈	
26	90003932016	2	2	2	2	B12 D1N137	Spring washer	波形弹性垫圈	
27	612600080200	10	10	10	10		Gasket	密封垫圈	
28	90003888452	2	2	2	2	VM10 D1N980	Hexagon nut	2型全金属六角锁紧螺母	
29	90003802523	2	2	2	2	M10x 25 D1N933	Screw	六角头螺栓	

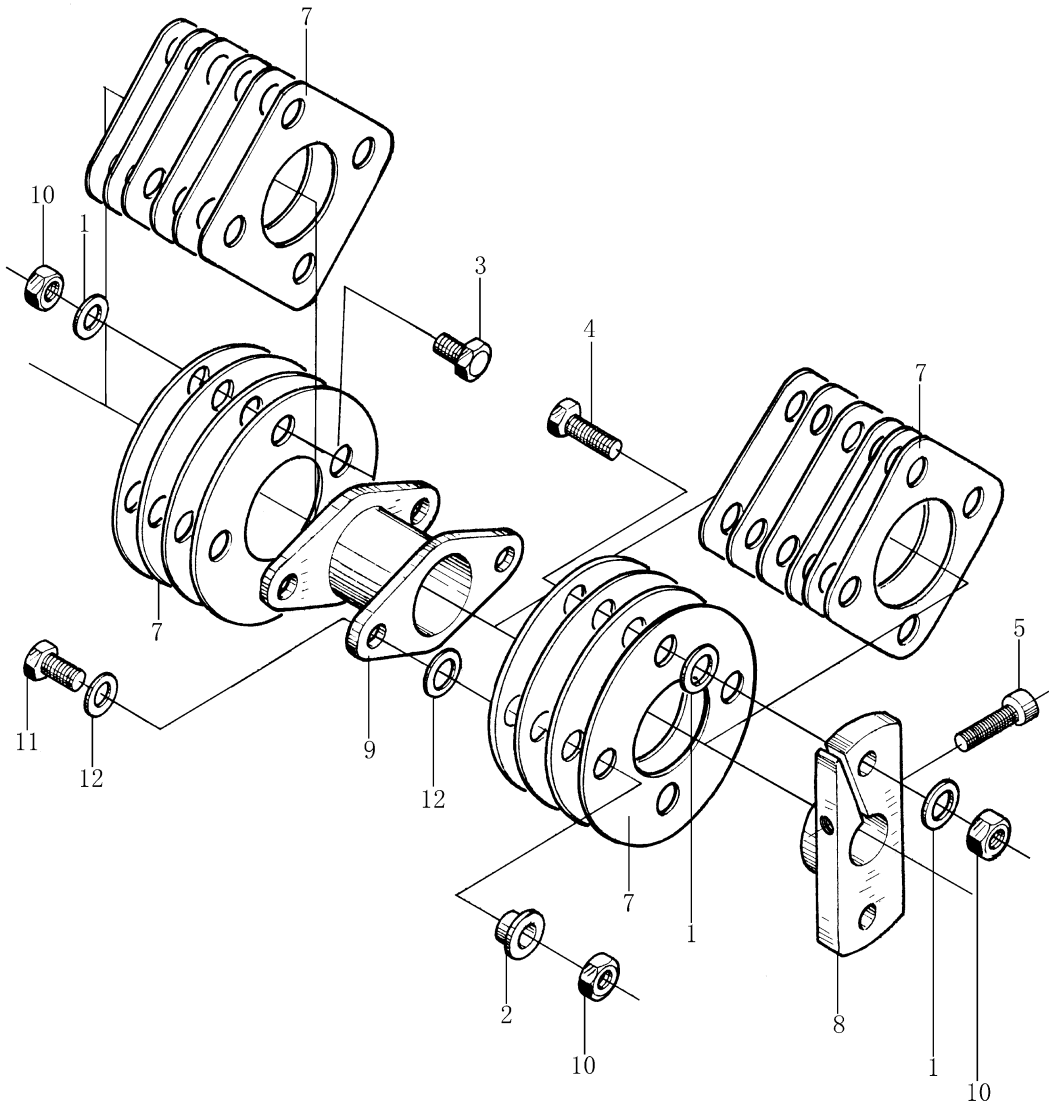




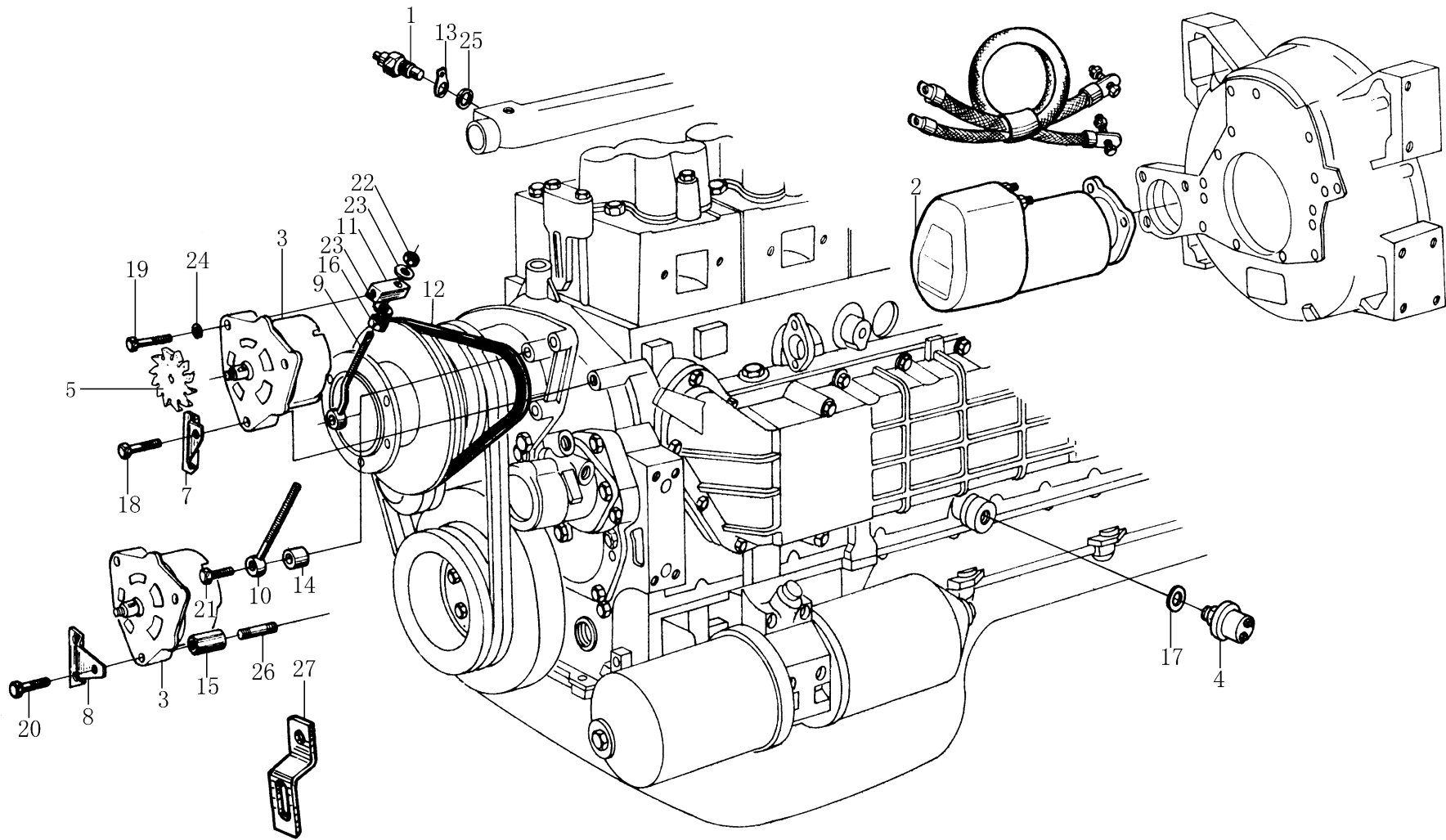
A1- 15

WD615 FUEL LINE/ 燃油管

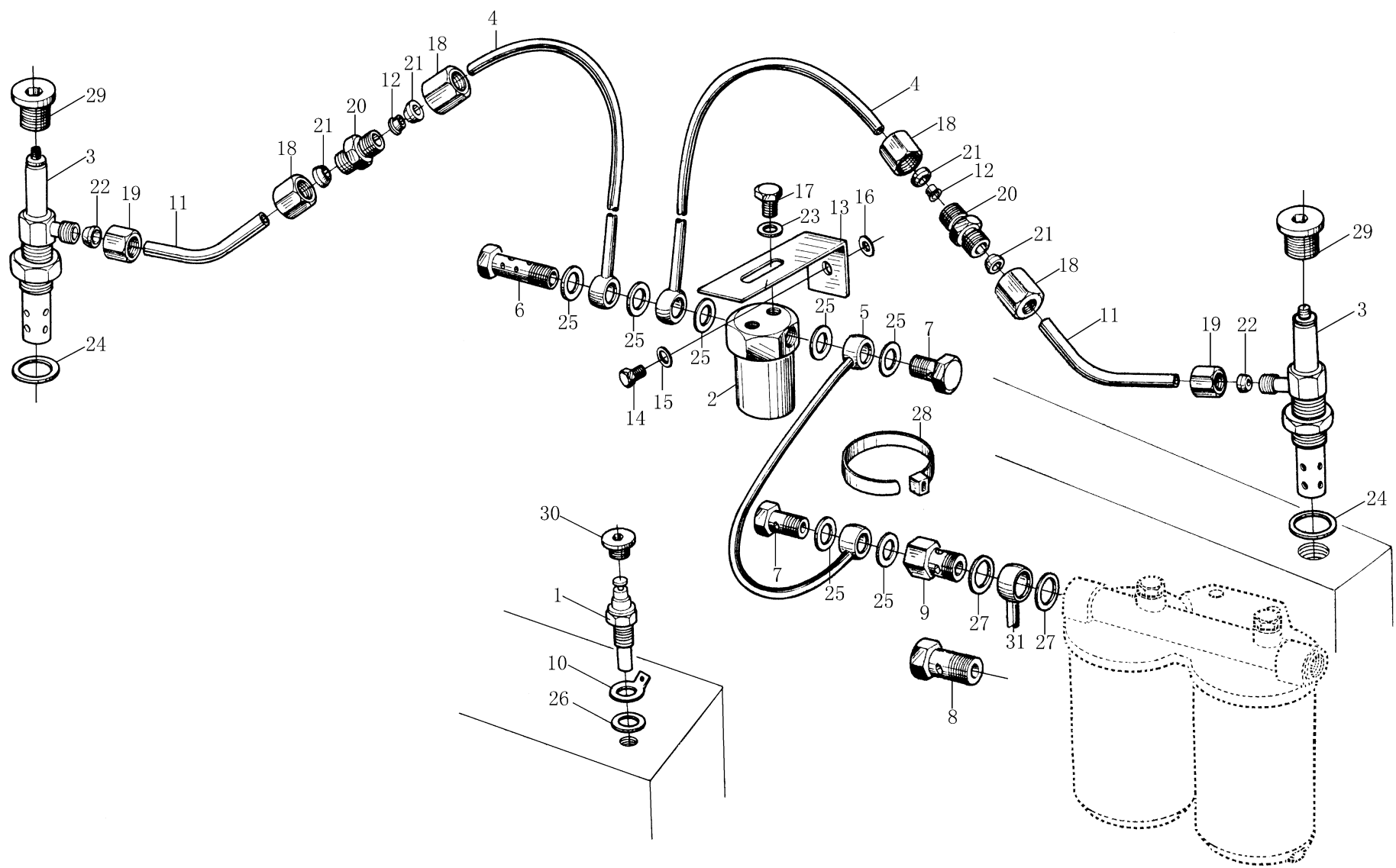
No	Number of part	Quantity & Applicability				Description	Designation	名称	Remark
		69	47	62	87				
	90003802527	2		2	2	M10× 30 DIN933	Screw( Bosch)	六角头螺栓(波许系)	
30	90003802627	2	2	2	2	M12× 30 DIN933	Screw( Bosch)	六角头螺栓(波许系)	



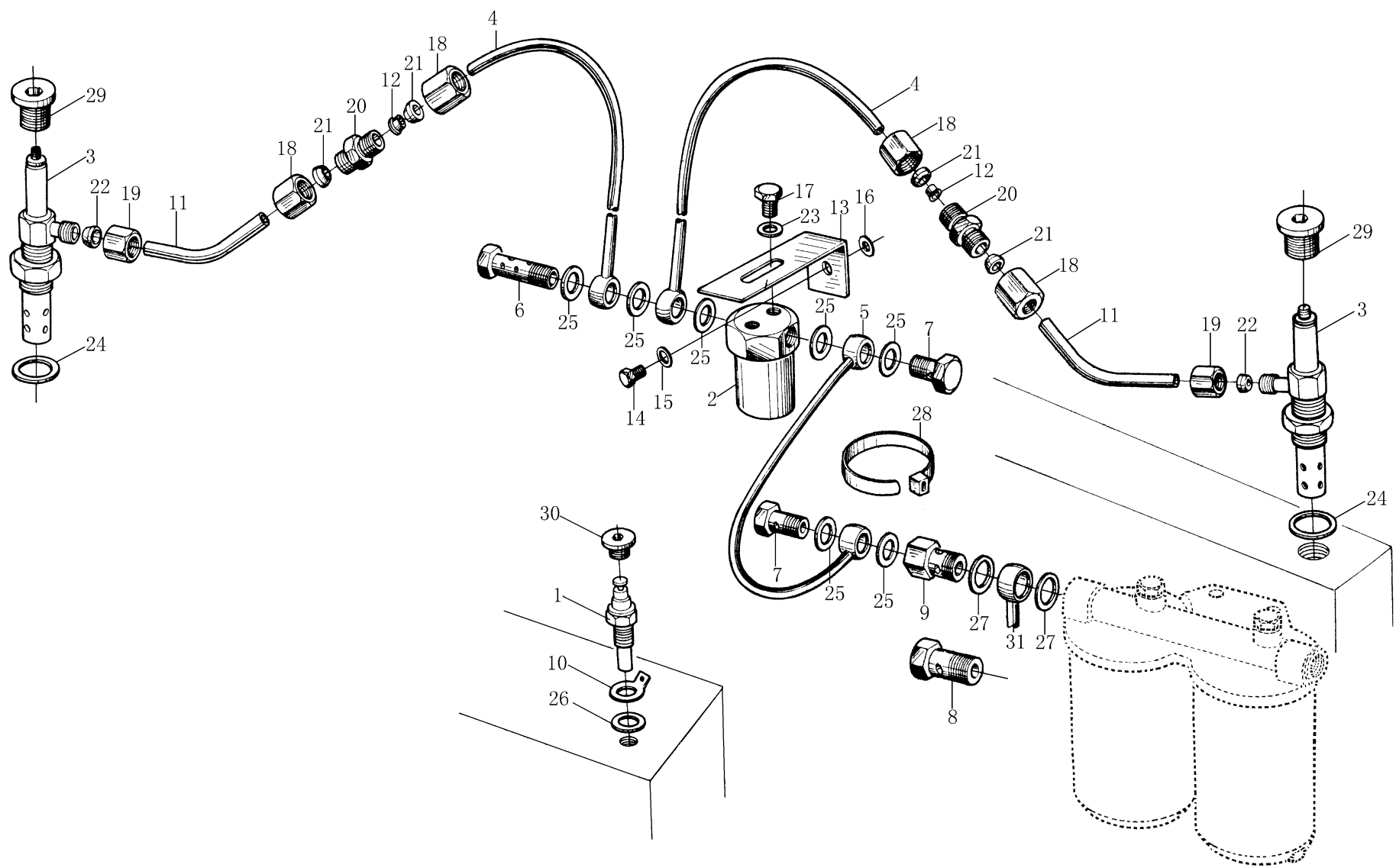
No	Number of part	Quantity & Applicability				Description	Designation	名称	Remark
		69	47	62	87				
1	81560080271	8	8	8	8		Washer	垫圈	
2	81560080273	8	8	8	8		Bush	衬套	
3	90003802637	4	4	4	4	DIN933- M12x 35- 10. 9- A3C	Screw	六角头螺栓	
	90003802639	2	2	2	2	M12x 40	Screw	六角头螺栓	
4	90003800160	2	2	2	2	M12x 50- 10. 9- A3C- DIN931	Screw	六角头螺栓	
5	AZ1560080001	1	1	1	1		Screw	六角头螺栓	
7	61560080219	12	12	12	12		Clamp	弹性连接片	
8	61560080194	1	1	1	1		Clutch half	角度调整板	
9	61560080275	1	1	1	1		Spacer	联轴器法兰组件	
10	90003871344	8	8	8	8	DIN934- M12- 10- A3C	Nut	I型六角螺母	
12	90003930282	8	8	8	8	DIN125- A13- SFA3C	Washer	平垫圈	



No	Number of part	Quantity & Applicability				Description	Designation	名称	Remark
		69	47	62	87				
1	614 090067	1	1	1	1		Temperature sensor( warning)	水温表传感器(带报警)	
2	61500090029	1	1	1	1		Starter	起动机	
3	61200090043	1	1	1	1		Alternator	交流发电机	
4	61500090051	1	1	1	1		Oil pressure sensor	压力感应塞	
5	614 090058	1	1	1	1		Fan washer	风扇叶轮	
6	61500090004	1	1	1	1		Belt pulley	皮带轮	
7	61500090010	1	1	1	1		Sheet	固定板	
9	61500090018	1	1	1	1		Screw	拉紧螺栓	
11	61500090011	1	1	1	1		Distance piece	拉紧块	
12	61500090065	2	2	2	2	2x 9.5x 800 DIN7753	V- belt	三角皮带	
13	614 090050	1	1	1	1		Connecting terminal	接线柱	
16	90003888452	1	1	1	1	VM10 DIN00980 · 8	Nut	I型全金属六角锁紧螺母	
17	160A. 13. 35	1	1	1	1	A18x 22 DIN7603	Sealing ring	密封垫圈	
18	90003800571	1	1	1	1	M10x 80 DIN931	Screw	六角头螺栓	
19	90003800564	1	1	1	1	M10x 70 D00931 · 8 · 8	Screw	六角头螺栓	
22	90003871305	1	1	1	1	M10 DIN9348	Nut	I型六角螺母	
23	90003935125	2	2	2	2	11 DIN1441	Gasket	平垫圈	
24	90003932025	1	1	1	1	A10 DIN137	Spring washer	鞍形弹性垫圈	
25	90003098014	1	1	1	1	A14x 18 DIN7603	Gasket	密封垫圈	

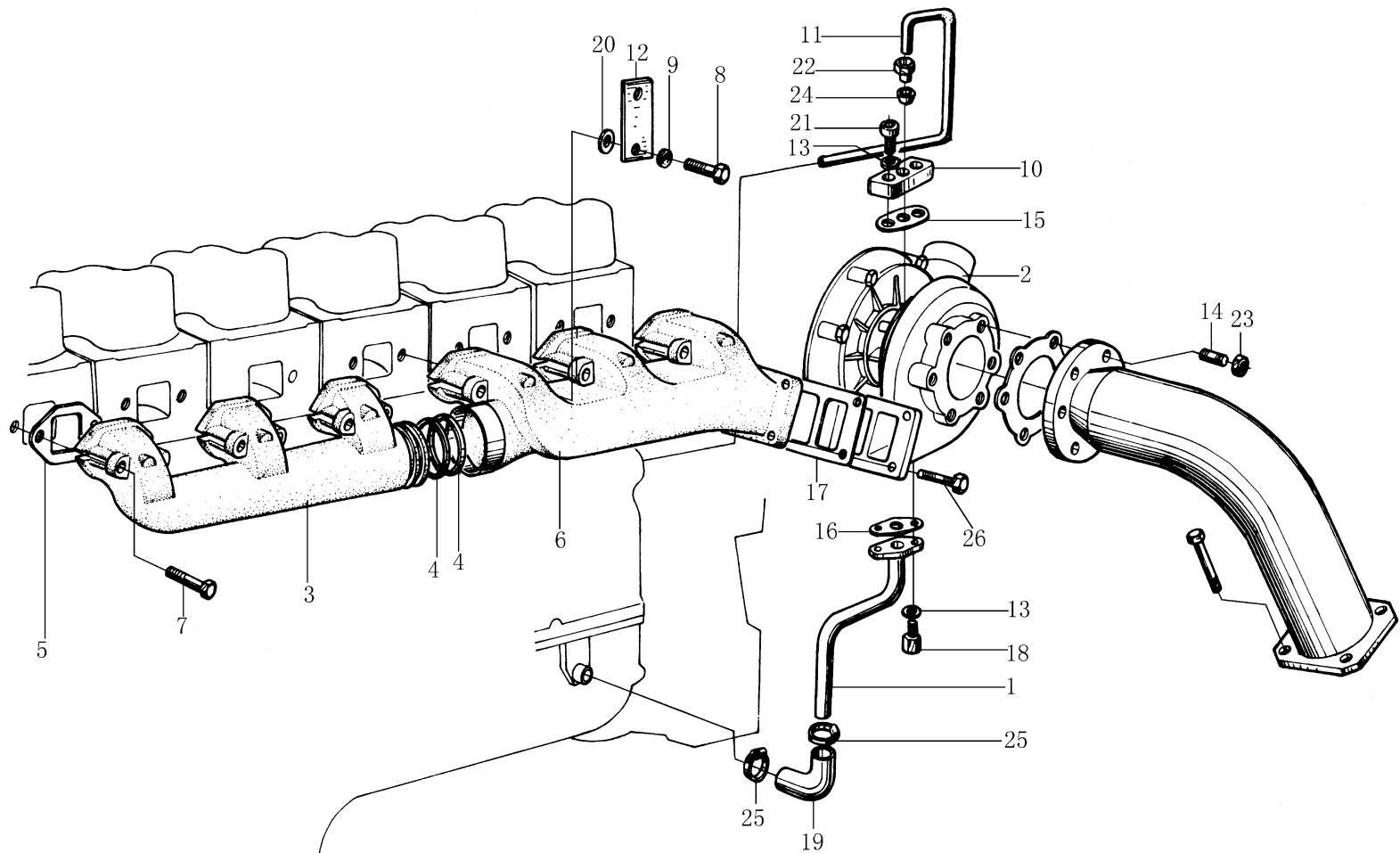


No	Number of part	Quantity & Applicability				Description	Designation	名称	Remark
		69	47	62	87				
1	AZ1500090132	1	1	1	1		Temperature sensor	温度传感器	
2	61200090163	1	1	1	1		Solenoid valve	电磁阀	
3	61200090162	1	1	1	1		Flamespark plug	火焰预热电热塞	option
4	61560080154	2	2	2	2		Fuel pipe	燃油管总成	
5	61200080159	1	1	1	1		Fuel pipe	燃油管总成	
6	81560080212	1	1	1	1		Fluid passage screw	空心螺栓	
7	90003962607	2	2	2	2		Fluid passage screw	空心螺栓	
8	90003962621	1	1	1	1		Fluid passage screw	空心螺栓	
9	609E110070	1	1	1	1	A4 DIN7623- 6S- A3C	Connection screw	联接螺栓	
10	79000770116	1	1	1	1		Blade terminal	扁形插头	
11	81560080327	2	2	2	2		Pipe	管	
12	99014280016	2	2	2	2		Plug- insleeve	衬套	
13	99012360441	1	1	1	1		Angle	角形支架	
14	90003802415	1	1	1	1		Hex. head screw	六角头螺栓	
15	90003932023	1	1	1	1		Spring washer	波形弹性垫圈	
16	90003930261	1	1	1	1		Washer	平垫圈	
17	90003802307	2	2	2	2		Hex. head screw	六角头螺栓	
18	90003559516	4	4	4	4		Union nut	管接头用螺母	
19	90030559506	2	2	2	2	A8. 4 D00125A3C	Union nut	联接螺母	
20	90003559462	2	2	2	2		Adaptor	卡套式直通接头体	
21	90003559561	4	4	4	4		Taper bush	卡套	
22	90003559557	2	2	2	2		Taper bush	卡套	





No	Number of part	Quantity & Applicability				Description	Designation	名称	Remark
		69	47	62	87				
23	90003931082	2	<b>2</b>	2	2	B6 D0127- A3C	Spring lock washer	弹簧垫圈	
24	90003098029	2	<b>2</b>	2	2		Sealing ring	密封垫圈	
25	90003098010	7	<b>7</b>	7	7		Sealing ring	密封垫圈	
26	90003098010	1	<b>1</b>	1	1		Sealing ring	密封垫圈	
27	90003098015	2	<b>2</b>	2	2		Sealing ring	密封垫圈	
28	90003171697	4	<b>4</b>	4	4	A5x 180 N05199	Wire fastener	塑料紧箍带	
29	90003960005	2	<b>2</b>	2	2		Thread plug	内六角螺塞	
30	90003962014	1	<b>1</b>	1	1		Hex. head screw	六角头螺栓	
31	AZ1500080155	1	<b>1</b>	1	1		Hose	燃油管	



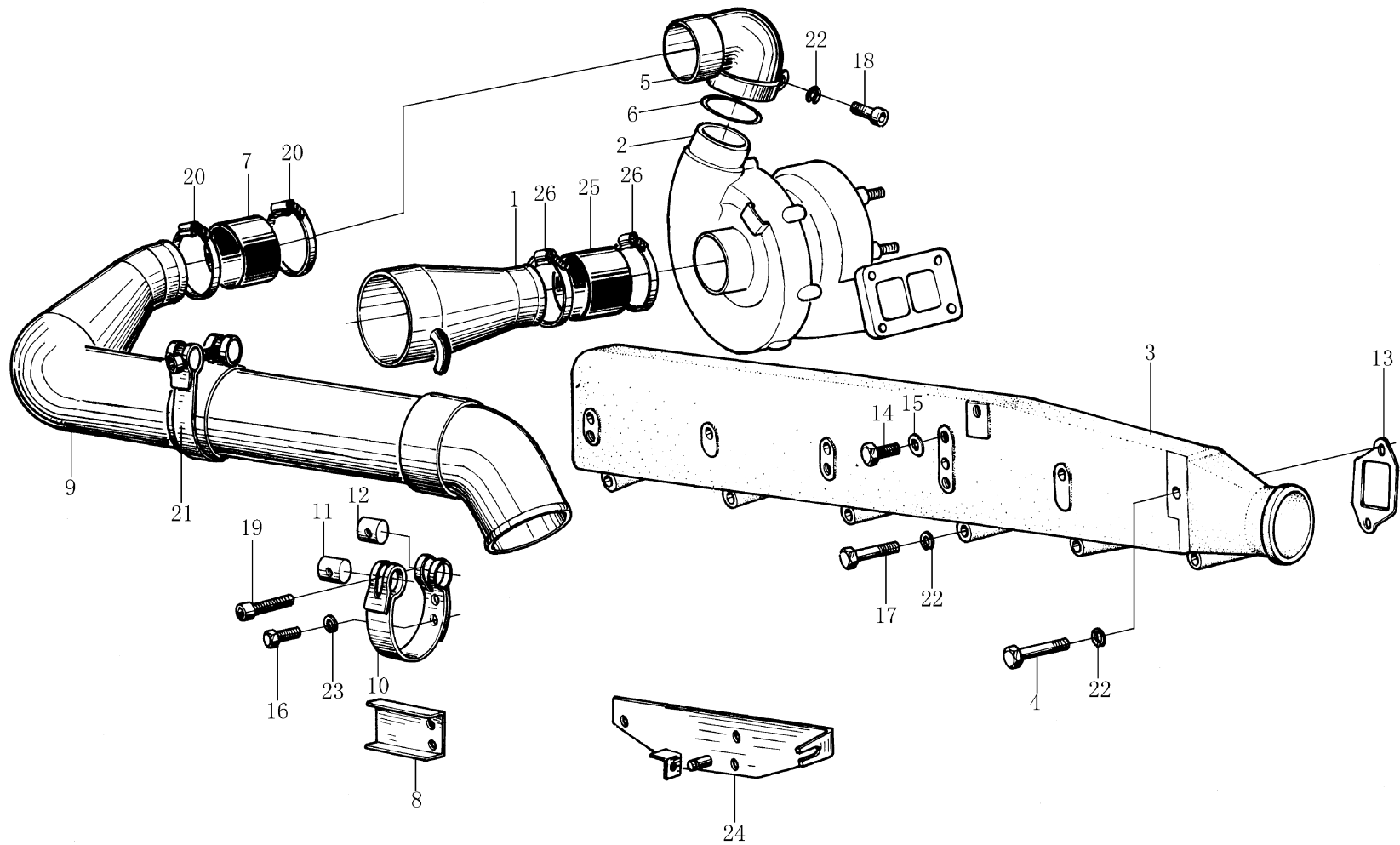
No	Number of part	Quantity & Applicability				Description	Designation	名称	Remark
		69	47	62	87				
1	612600110361	1	1	1	1		Oil pipe	回油管总成	
2	612600113227	1	1	1	1		Turbocharger	废气涡轮增压器	
3	61560110120	1	1	1	1		Exhaust manifold front	前排气歧管	
4	61260110162	4	4	4	4		Ring	排气管密封环	
5	61560110111	6	6	6	6		Gasket	排气管垫片	
6	61560110222	1	1	1	1		Exhaust manifold rear	后排气歧管	
7	61560110104	11	11	11	11		Screw	排气管紧固螺栓	
8	61560110105	1	1	1	1		Screw	排气管紧固螺栓	
10	81560110152	1	1	1	1		Joint	进油管法兰	
11	61560070001	1	1	1	1		Pipe	进油管	
12	99974200	1	1	1	1		Extension bar	托板	
13	188 250083	4	4	4	4		Circlip	自锁垫圈	
14	81560110187	6	6	6	6		Stud	双头螺柱	
15	609E110050	1	1	1	1		Joint	进油管垫片	
16	61260110048	1	1	1	1		Joint	回油管法兰垫片	
17	61560110210	1	1	1	1		Joint	增压器垫片	
18	61460070014	2	2	2	2		Screw	回油管螺栓	
19	612600070071	1	1	1	1		Hose	增压器回油用软管	
20	609 070067	1	1	1	1		Flat washer	止推垫圈	
21	90003862428	2	2	2	2	M8x 25 DIN 912	Screw	内六角圆柱头螺钉	
22	90003559513	2	2	2	2	AL12 D03871	Ring	联管螺母	
23	90003888470	6	6	6	6		Nut	自锁螺母	



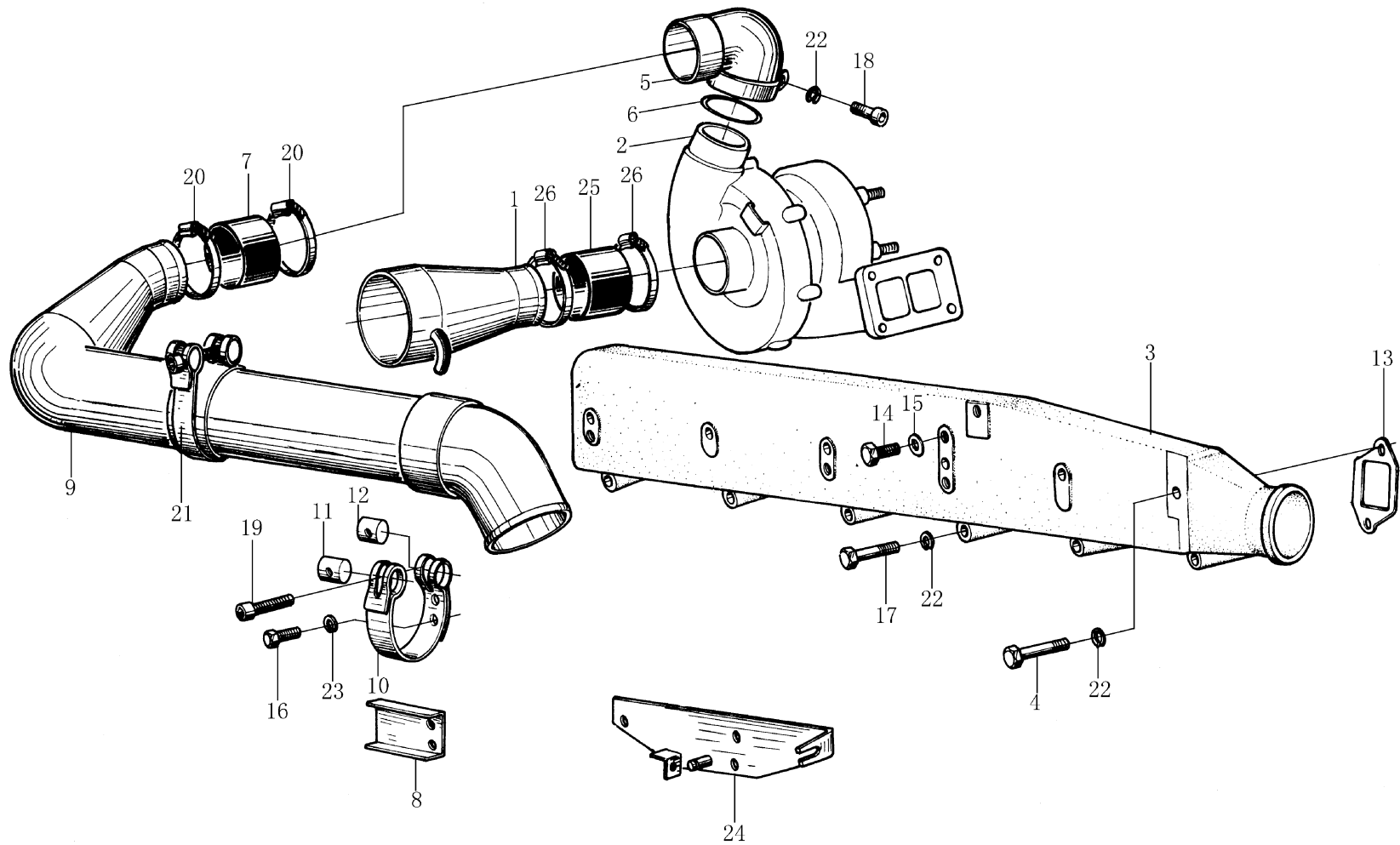
A1- 19

WD615 EXHAUST MANIFOLD/ 排气管

No	Number of part	Quantity & Applicability				Description	Designation	名称	Remark
		69	47	62	87				
24	90003559563	2	<b>2</b>	2	2		Ring	卡套	
25	90003989340	2	<b>2</b>	2	2	22/ 29 N05074	Clamp	软管卡箍	
26	61560110241	4	<b>4</b>	4	4		Bolt	六角头螺栓	



No	Number of part	Quantity & Applicability				Description	Designation	名称	Remark
		69	47	62	87				
1	612600110505	1	1	1	1		Funnel	压气机进气管组件	
2	615600116227	1	1	1	1		Turbocharger	废气涡轮增压器	
3	61560110131	1	1	1	1		Airintake manifold	进气管总成	
4	614 110064	4	4	4	4		Hexagon bolt	进气管紧固螺栓	
4a	90003800497	2	2	2	2	M8× 160 DIN 931	Screw	六角头螺栓	
5	61560110165			1	1		Connecting pipe	连接弯管	
6	190 320035	1	1	1	1		Clip	密封圈	
6a	61560110226			1	1		Clip	夹子	
7	612600110824	1	1	1	1		Hose	橡胶软管	
8	61560110072						Lashing	搭板	
9	61560110051	1	1	1	1		Pipe	管子总成	
10	61560110021	2	2	2	2		Strap	卡箍带	
11	209 190017	2	2	2	2		Bolt	拉紧销	
12	1700550013	2	2	2	2		Bolt	张紧销	
13	61500110024	6	6	6	6		Joint	进气管垫片	
14	90003962014	1	1	1	1	AM 10× 1 DIN 7604	Hex. head screw plug	六角头螺塞	
15	90003098010	1	1	1	1	A 10× 13.5 DIN 7603	Sealing ring	密封垫圈	
16	90003802415	1	1	1	1	M8× 18 DIN933	Screw	六角螺栓	
16a	90003802411	1	1	1	1	M8× 16 DIN933	Screw	六角螺栓	
17	90003800465	6	6	6	6	M8× 80 DIN931	Screw	六角螺栓	
18	90003862443	2	2	1	1	M8× 40 DIN912	Screw	六角螺栓	
19	90003862462	1	1	1	1	M8× 60 DIN912	Screw	六角螺栓	

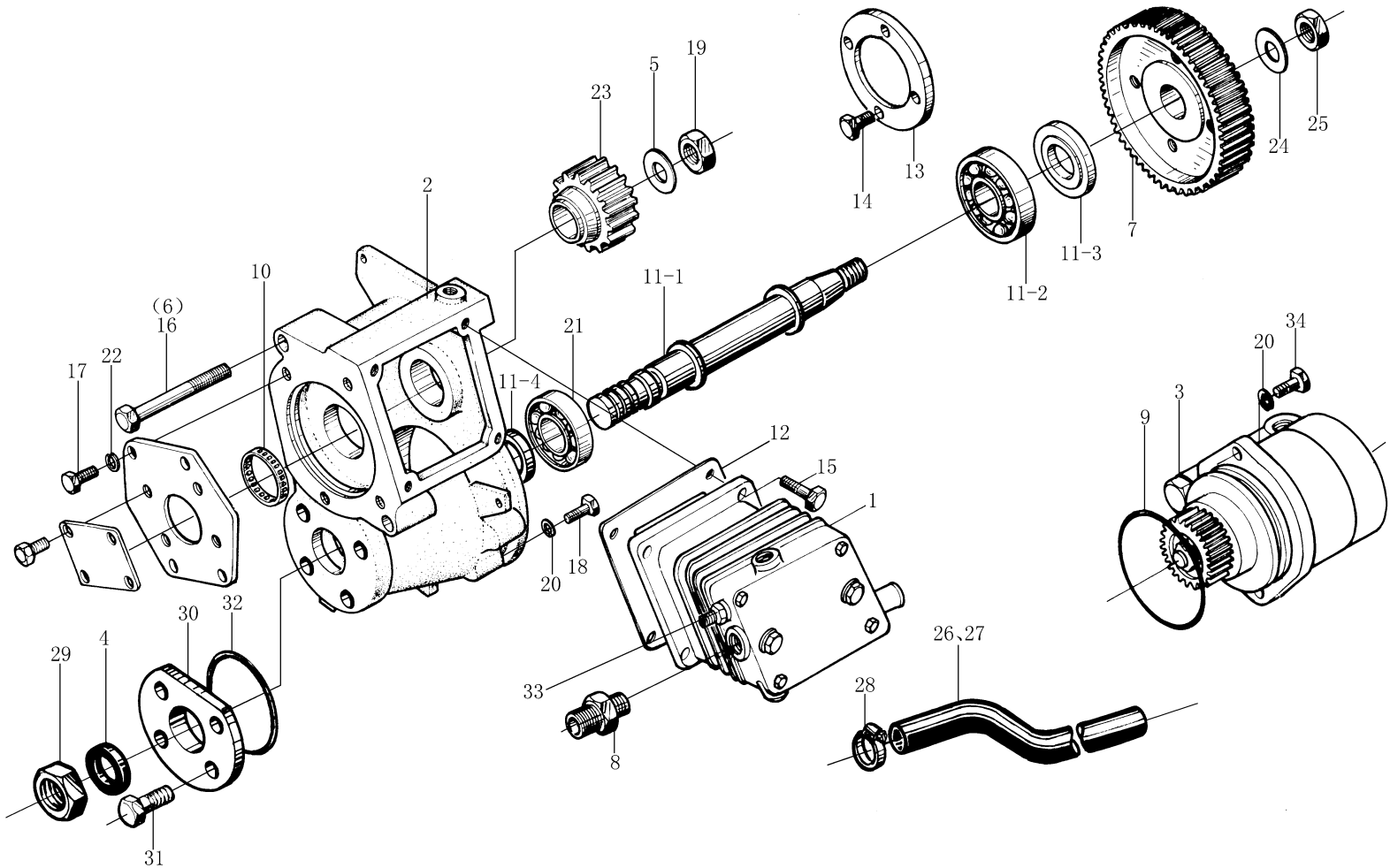




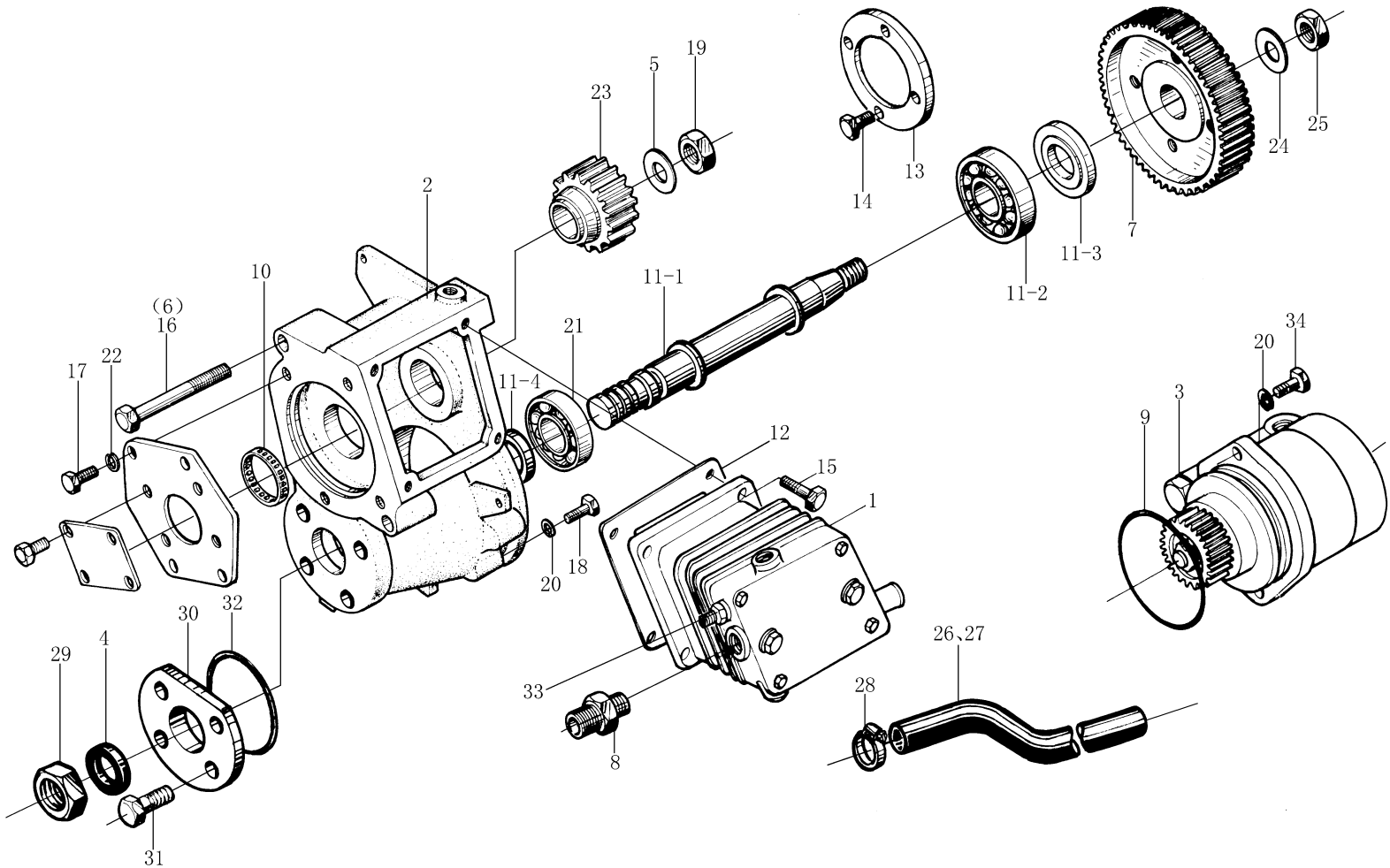
A1- 20

WD615 AIR INTAKE MANIFOLD/ 进气管

No	Number of part	Quantity & Applicability				Description	Designation	名称	Remark
		69	47	62	87				
20	90003989312	2	2	2	2	70/89 N05074	Clamp	软管卡箍	
21	90003862456	1	1	1	1	M8x 55 DIN912	Screw	内六角圆柱头螺钉	
22	90003932023	20	20	15	15		Spring washer	波形弹性垫圈	
23	609E110036	3	3	4	4		Washer	调整垫圈	
24	99100570015	1	1	1	1		Bracket	悬臂总成	
25	81560110220	1	1	1	1		Hose	胶管	
26	90003989312	2	2	2	2	70/89 N05074	Clamp	软管卡箍	
26a	90003989318	2	2	2	2		Clamp	软管卡箍	



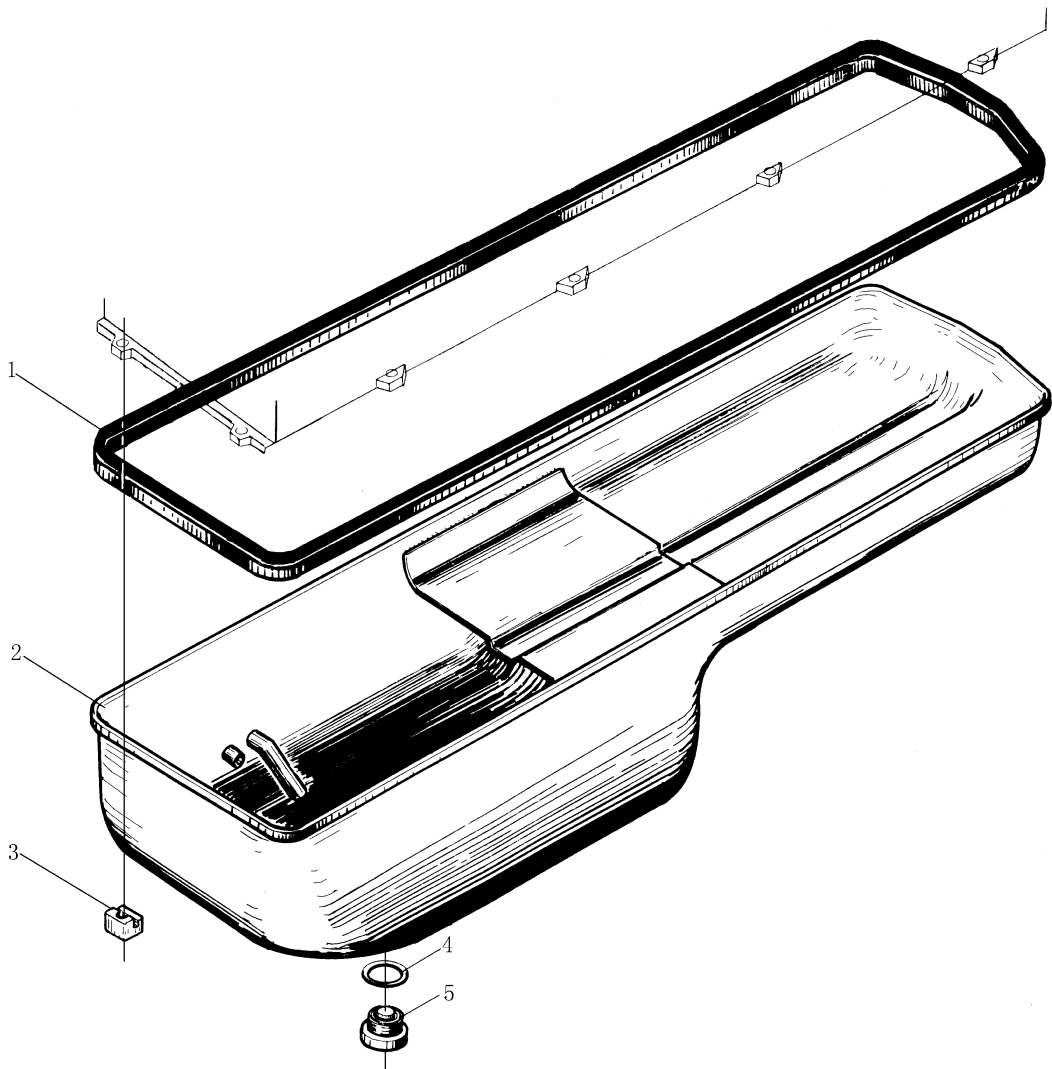
No	Number of part	Quantity & Applicability				Description	Designation	名称	Remark
		69	47	62	87				
1	AZ1560130070	1	1	1	1		Air compressor	水冷空压机	
2	AZ1560130063	1	1	1	1		Housing	空压机曲轴箱	
4	90003070092	1	1	1	1		Oil seal	油封	
5	609 070161	1	1	1	1		Flat washer shaft	支承环	
6	90003802561	1	1	1	1	M10x 75 D00933	Hex head bolt	六角头螺栓	
7	AZ1560130064	1	1	1	1		Gear	喷油泵齿轮	
11	61500080167	1	1	1	1		Shaft C	传动轴总成	
11_1	612600130048	1	1	1	1		Shaft	传动轴	
11_2	90003320154	1	1	1	1		Rolling bearing	滚柱轴承	
11_3	61500080158	2	2	2	2		Bearing	径向止推滚珠轴承	
11_4	612600130047	1	1	1	1		Bush	衬套	
12	61500130080	1	1	1	1		Gasket	垫圈	
13	61500080165	1	1	1	1		Cover	盖	
14	90003802432	4	4	4	4	M8x 30 D00933	Hex head bolt	六角头螺栓	
15	90003802438	6	6	6	6	M8x 22 DIN933	Hex head bolt	六角头螺栓	
16	90003800569	2	2	2	2	M10x 150 D00931	Hex head bolt	六角头螺栓	
17	90003802411	4	4	4	4	M8x 16 D00933	Hex head bolt	六角头螺栓	
18	90003802419	7	7	7	7	M8x 20 D00933	Hexagon bolt	六角头螺栓	
19	612600130001	1	1	1	1	M18x 1.5 D00934 M- 8	Hex head nut	六角螺母	
20	90003932023	9	9	9	9	B8 D00137	Curved or wave	垫圈	
21	61500080130	1	1	1	1		Pack ring	压紧圈	
22	90003930261	4	4	4	4	A8.4 D00125	Washer	小垫圈	



A1- 21

## WD615 AIR COMPRESSOR/ 单缸空压机

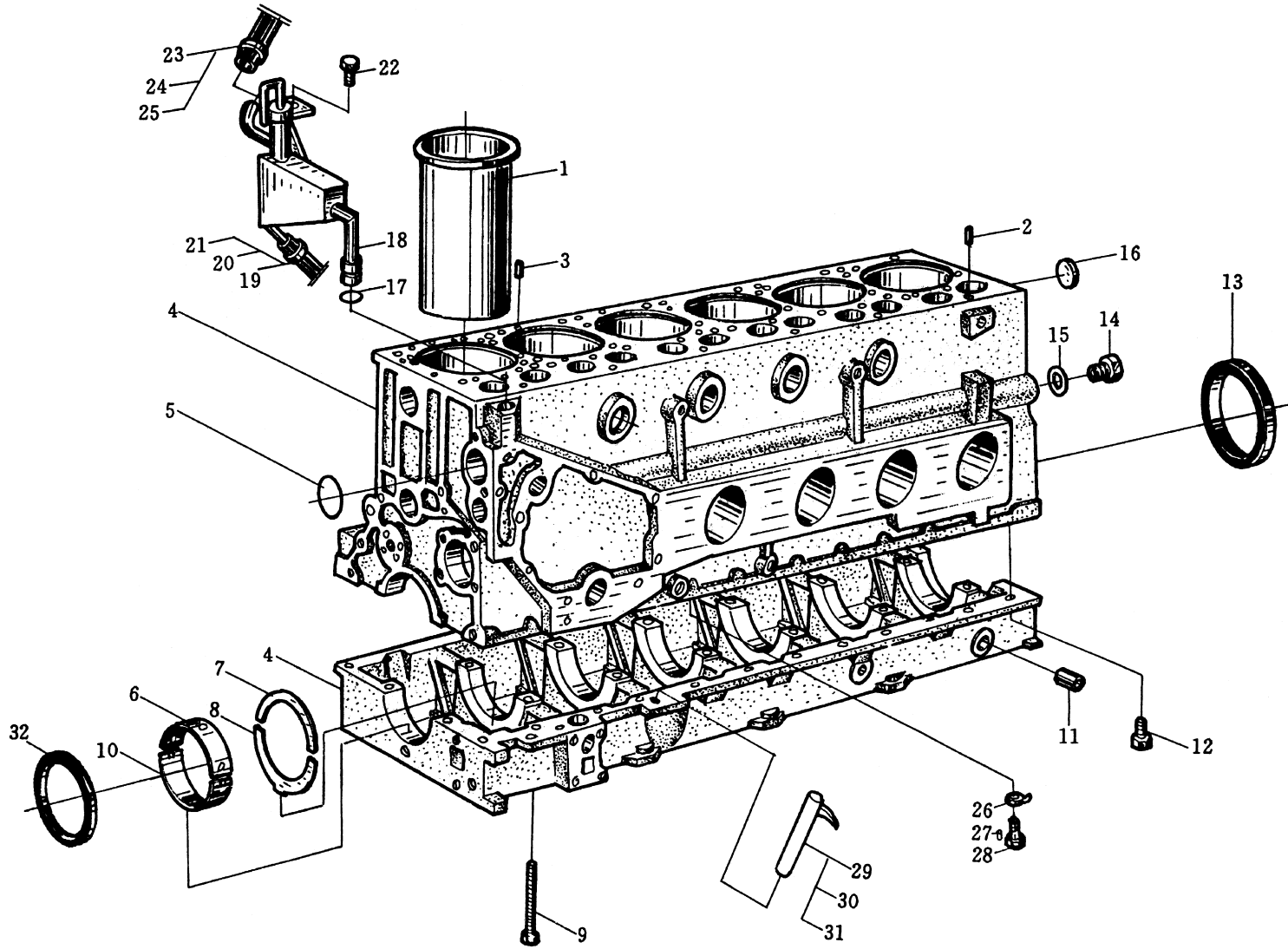
No	Number of part	Quantity & Applicability				Description	Designation	名称	Remark
		69	47	62	87				
23	61560130012	1	1	1	1		<b>Gear</b>	空压机齿轮	
24	409020045	1	1	1	1		<b>Joint</b>	垫片	
25	612600130001	1	1	1	1		<b>Hex head nut</b>	六角螺母	
26	612600130046	1	1	1	1		<b>Lock nut</b>	夹紧螺母	
27	61500130097	1	1	1	1		<b>Oil seal seat</b>	油封座	
28	90003802415	4	4	4	4		<b>Hex head bolt</b>	六角头螺栓	
29	192320002	1	1	1	1		<b>Gasket</b>	密封圈	
30	612600130073	1	1	1	1		<b>Plate</b>	挡油盘	



A1- 22

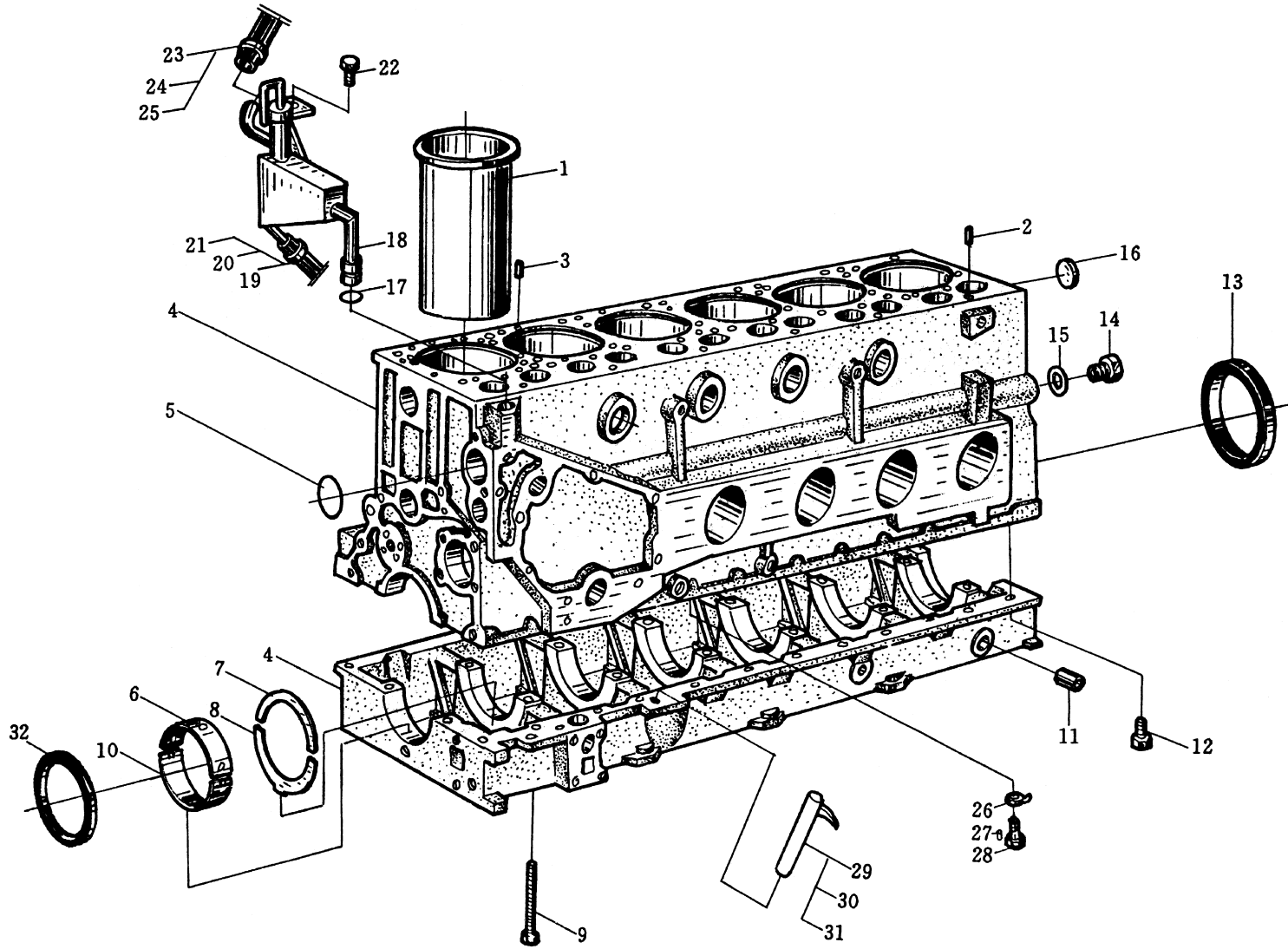
## WD615 OIL PAN/油底壳

No	Number of part	Quantity & Applicability				Description	Designation	名称	Remark
		69	47	62	87				
1	614 150004	1	1	1	<b>1</b>		Seal	密封垫	
2	61200150104			1	<b>1</b>		Oil pan	油底壳总成	
2	61800150015	1	1				Oil pan	油底壳总成	
3	614 150046	12	12	12	<b>12</b>		Retainer	油底壳托块	
4	90003930261	12	12	12	<b>12</b>	A8. 4 DIN125- SFA3C	Washer	平垫圈	
5	90003802442	12	12	12	<b>12</b>	M8x 40 D00933	Hex. head screw	六角头螺栓	
6	612600150106	1	1	1	<b>1</b>		Gasket	密封圈	
7	612600150108	1	1	1	<b>1</b>		Thread plug	磁性螺塞总成	



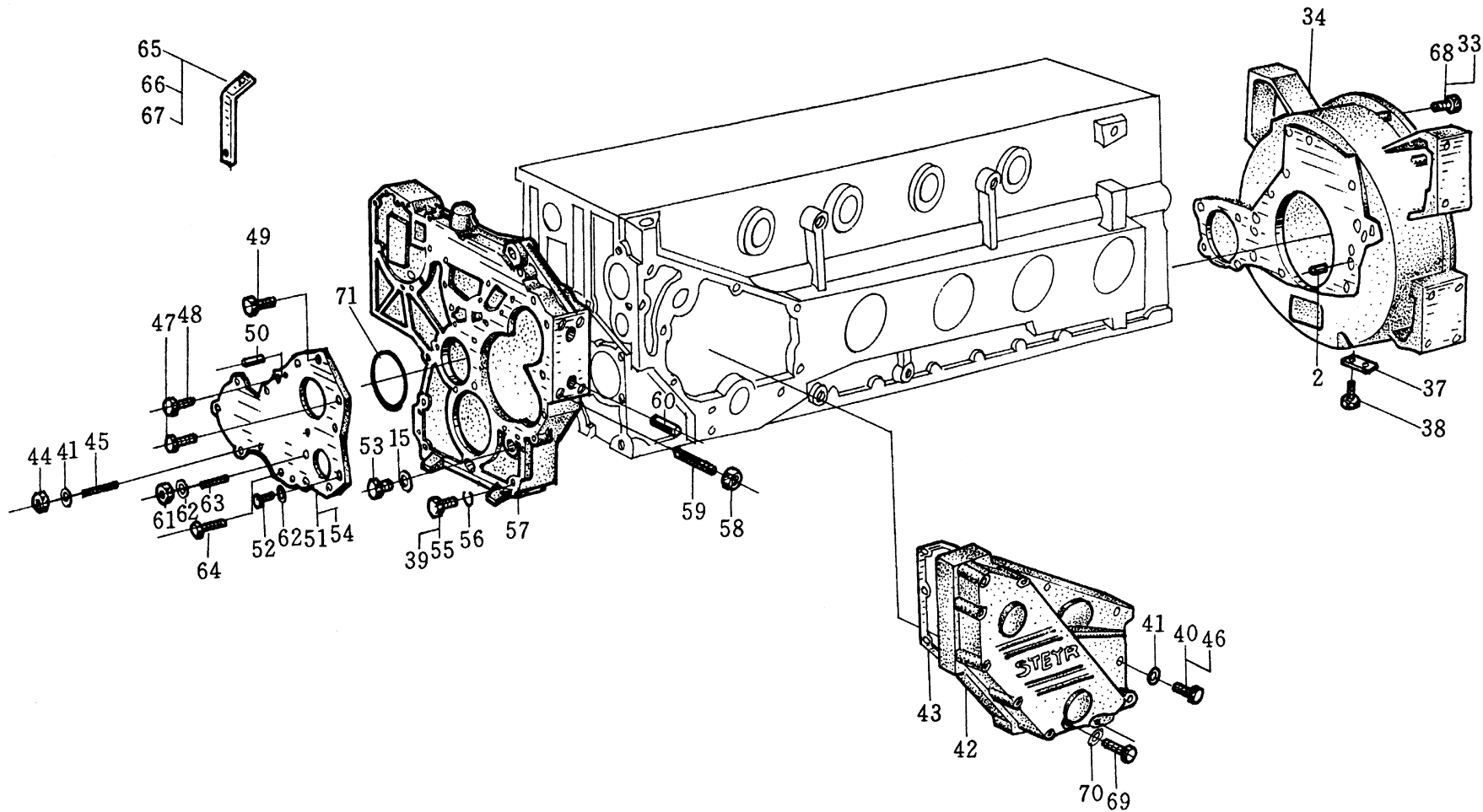


No	Number of part	Quantity	Description	Applicability	Designation	名称	Remark
1	61800010125	6			Liner	气缸套	
2	90003901604	4	12 M6×20-ST DIN00007		Dowel pin	圆柱销	
3	90003909626	6	6×1 DIN01481		Dowel pin	弹性圆柱销	
4	61800010109	1			Crank case	气缸体总成	
5	61000010314	1			Gasket	密封圈	
6	61800010128	1			Shell	上主轴瓦	
7	61800010127	1			Stop washer	上止推片	
8	61800010130	1			Stop washer	下止推片	
9	90003802493	5	M8×110-8.8-A <sub>2</sub> C DIN00933		Screw	六角头螺栓	
10	61800010132	1			Shell	下主轴瓦	
11	61400010011	1			Pipe	回油短管	
12	90003862428	19	M8×25-8.8-A <sub>2</sub> C DIN00912		Screw	内六角圆柱头螺钉	
13	6150001047	1			Gasket rear	后油封	
14	61460070011	1			Screw plug	主油道后螺塞	
15	90003098086	2	A30×36 C <sub>2</sub> DIN07603		Joint	密封垫圈	
16	288730062	1			Gasket	密封圈	
17	609F070041	2			Gasket	密封圈	
18	61500010385	1			Oil separator	油气分离器组件	
19	609E110049	1			Clamp	固定板	
20	33700550284	1			Hose	橡胶软管	
21	90003989300	2	13/16-A <sub>2</sub> C DIN05074		Hose clamp	软管卡箍	
22	90003802812	1	M16×25-8.8-A <sub>2</sub> C DIN00933		Screw	六角头螺栓	
23	61500010355	1			Hose	橡胶软管	
24	9003989301	2	25/35-A <sub>2</sub> C DIN05074		Hose clamp	软管卡箍	
25	9003171356	2	A5×28DN05199		Clip	塑料紧固带	
26	61560010090	6			Spraying nozzle	喷嘴组件	

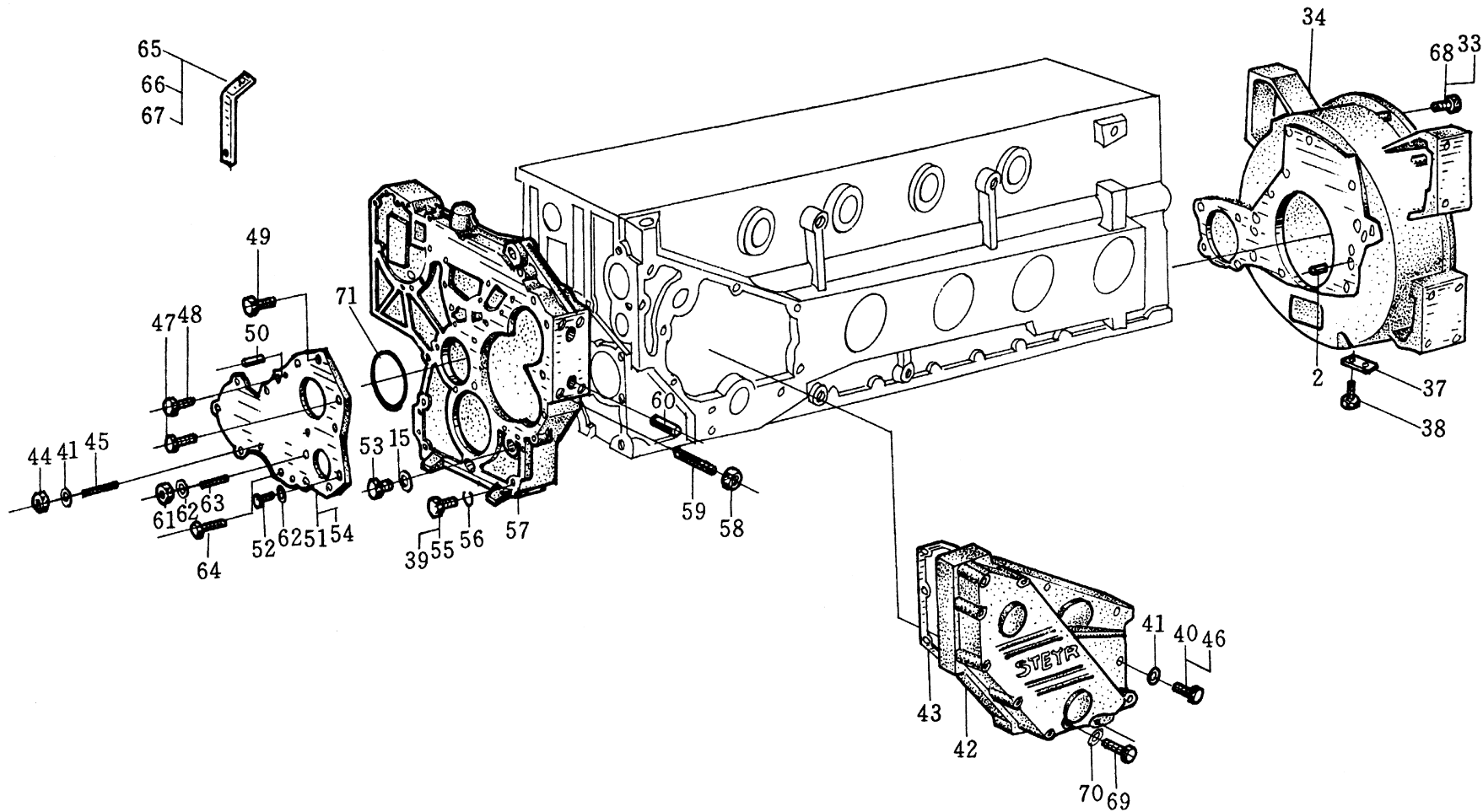


No	Number of part	Quantity	Description	Applicability	Designation	名稱	Remark
27	90003909603	6	3×8 DIN01481		Screw	彈性圓柱銷	
28	90003962621	6	10 DIN0763		Cover	空心螺柱	
29	61800010331	1			Up - Jauge	機油尺管上組件	
30	61800010334	1			Down - Jauge	機油尺管下組件	
31	61800010329	1			Oil dipstick	油尺組件	
32	81400010032	1			Gasket	密封圈	

※ WD618—WD618.82,420ps



No	Number of part	Quantity	Description	Applicability	Designation	名称	Remark
33	61500010101	6			Screw	飞轮壳螺栓	
34	61500010012	1			Flywheel housing	飞轮壳	
37	1800210011	1			Cover	观察孔盖	
38	90003802511	2	M10×18-8.8-A <sub>2</sub> C DIN00933		Screw	六角头螺栓	
39	90003802423	3	M10×25-8.8-A <sub>2</sub> C DIN00933		Screw	六角头螺栓	
40	90003802437	3	M8×35-8.8-A <sub>2</sub> C DIN00933		Screw	六角头螺栓	
41	90003932030	18	A8-FST-A <sub>2</sub> C DIN0137		Spring	波形弹性垫圈	
42	61800010112	1			Cover	机油冷却器盖	
43	61500010370	1			Joint	机油冷却器垫	
44	90003871252	5	M8-8-A <sub>2</sub> C DIN00934		Nut	I型六角头螺母	
45	90003813423	5	M8×20-8.8-A <sub>2</sub> C DIN00939		Stud	双头螺栓	
46	90003800467	8	M8×75-8.8-A <sub>2</sub> C DIN00931		Screw	六角头螺栓	
47	90003802538	2	M10×40-8.8-A <sub>2</sub> C DIN00933		Screw	六角头螺栓	
48	90003802569	2	M10×85-8.8-A <sub>2</sub> C DIN00933		Screw	六角头螺栓	
49	90003802519	2	M10×22-8.8-A <sub>2</sub> C DIN00933		Screw	六角头螺栓	
50	90003901406	2	ØM6×10-ST DIN0007		Pin	圆柱销	
51	61800010118	1			Cover	端盖	
52	90003802532	1	M10×35-8.8-A <sub>2</sub> C DIN00933		Screw	六角头螺栓	
53	90003962051	1	C-M30×1.5-st-A <sub>2</sub> C DIN07604		Screw	六角头螺栓	
54	61500010046	1			Gasket front	前油封	
55	90003802561	6	M10×75-8.8-A <sub>2</sub> C DIN00933		Screw	六角头螺栓	
56	90003931122	11	A1GFST-A <sub>2</sub> C DIN00128		Spring washer	弹簧垫圈	
57	61800010121	1			Gear case	正时齿轮室总成	
58	90003888453	8	VM-12-8-A <sub>2</sub> 33		Nut	I型六角锁紧螺母	
59	90003813628	8	M12×30-8.8-A <sub>2</sub> C DIN00939		Stud	双头螺栓	
60	90003900085	4	12×20-DIN01481		Dowel pin	弹性圆柱销	

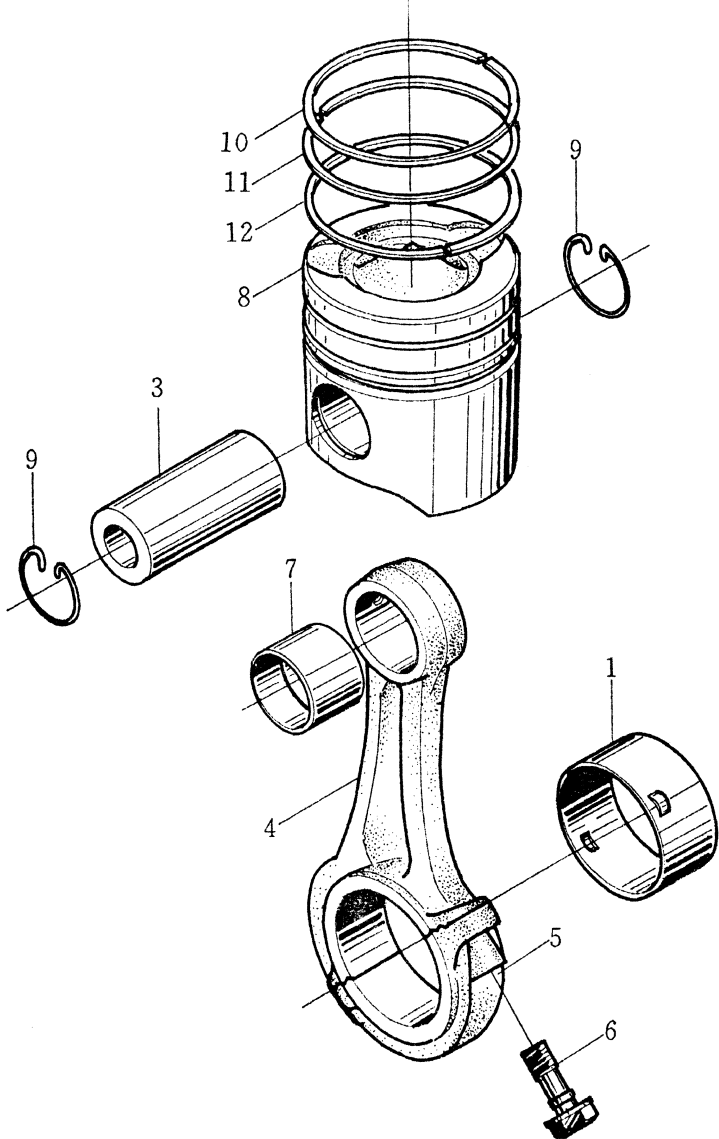


No	Number of part	Quantity	Description	Applicability	Designation	名称	Remark
61	90003871305	2			Nut	I型六角螺母	
62	90003932025	7	M10×FST-A <sub>2</sub> C DIN00137		Spring washer	鞍形弹性垫圈	
63	90003810125	2	M10×25-8.8-A <sub>2</sub> C DIN00938		Stud	双头螺栓	
64	90003802419	2	M8×20-8.8-A <sub>2</sub> C DIN00933		Screw	六角头螺栓	
65	61800060153	1			Bracket	支架	
66	61800060152	1			Bracket	支架	
67	61800060151	1			Bracket	支架	
68	61500010062	7			Screw	飞轮壳螺栓	
69	90003932020	2	A-M14×1.5-MS DIN07604		Plug	内六角螺塞	
70	90003098014	2	AM14×18-Cu DIN00931		Gasket	密封圈	
71	90003120602	1			Gasket	密封圈	

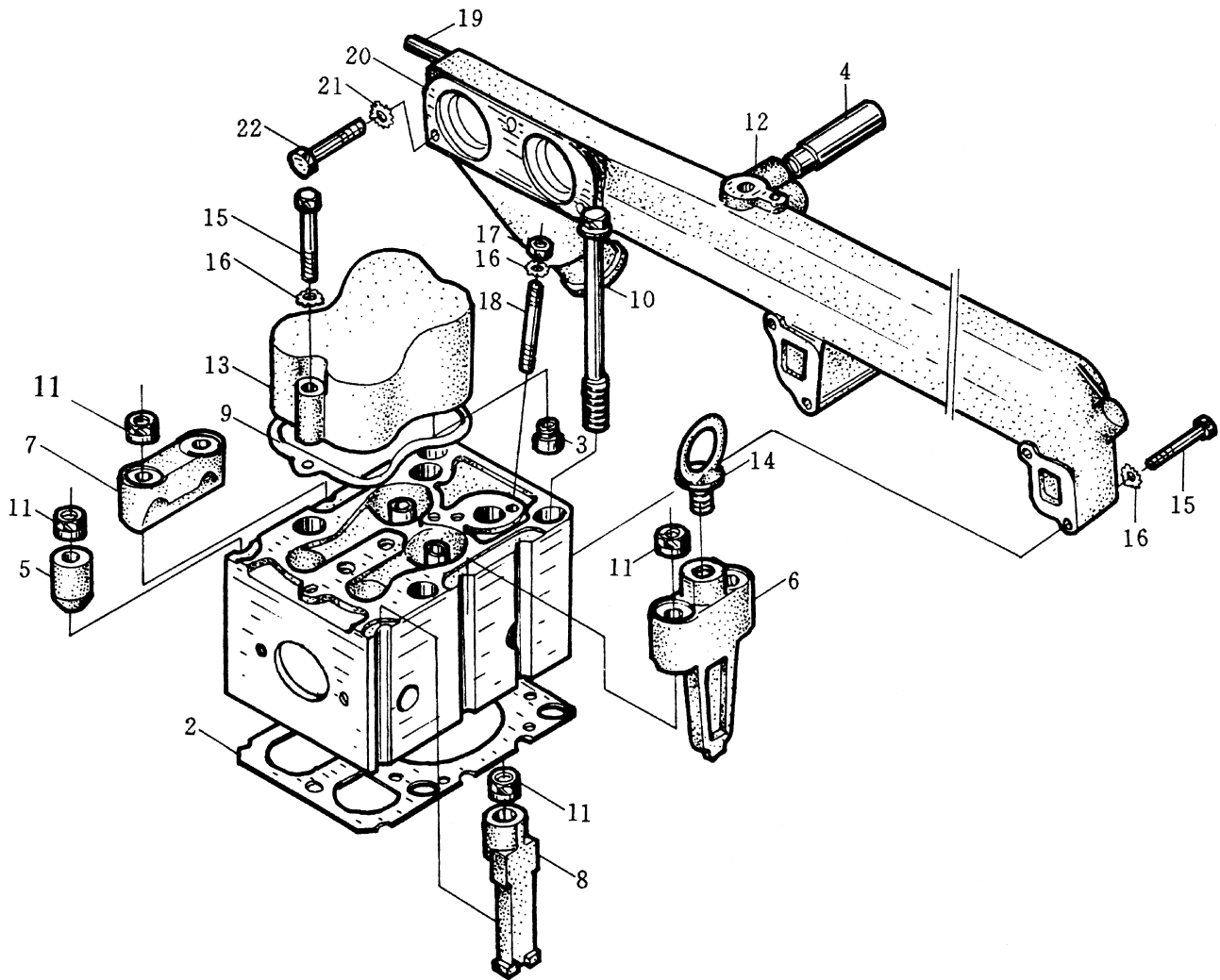




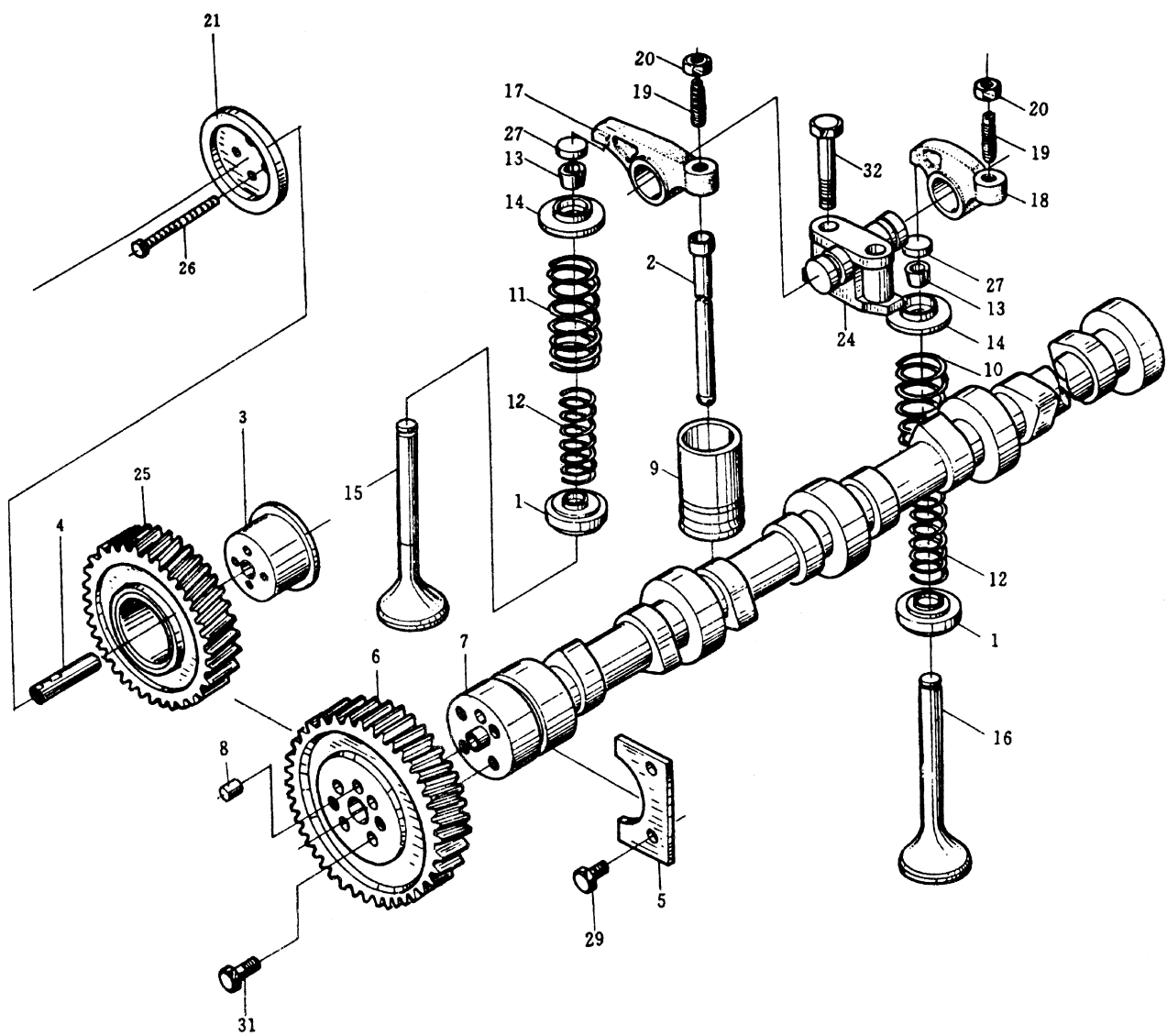
No	Number of part	Quantity	Description	Applicability	Designation	名称	Remark
1	61800020022	1			Crank shaft C	曲轴总成	
2	61500020046	9			Screw	六角头螺栓	
3	61800020025	1			Belt pulley	皮带轮	
4	61800020012	1	Φ280×45		Vibration damper	减震器	
5	61500020023	1			Fly wheel C	飞轮	
6	81500020009	1			Ring gear	飞轮齿圈	
7	90003802558	8	M10×70		Screw	六角头螺栓	
8	90003871305	2	M10 D0934		Nut	I型六角螺母	
9	90003813571	2	M10×90		Stud	双头螺栓	
10	90003311416	1	63052RSD00625		Ball bearing	向心球轴承	
11	90003934310	1			Circlip	孔用弹性挡圈	
12	90003432025	12			Joint	垫片	
13	90003802569	10	M10		Screw	六角头螺栓	



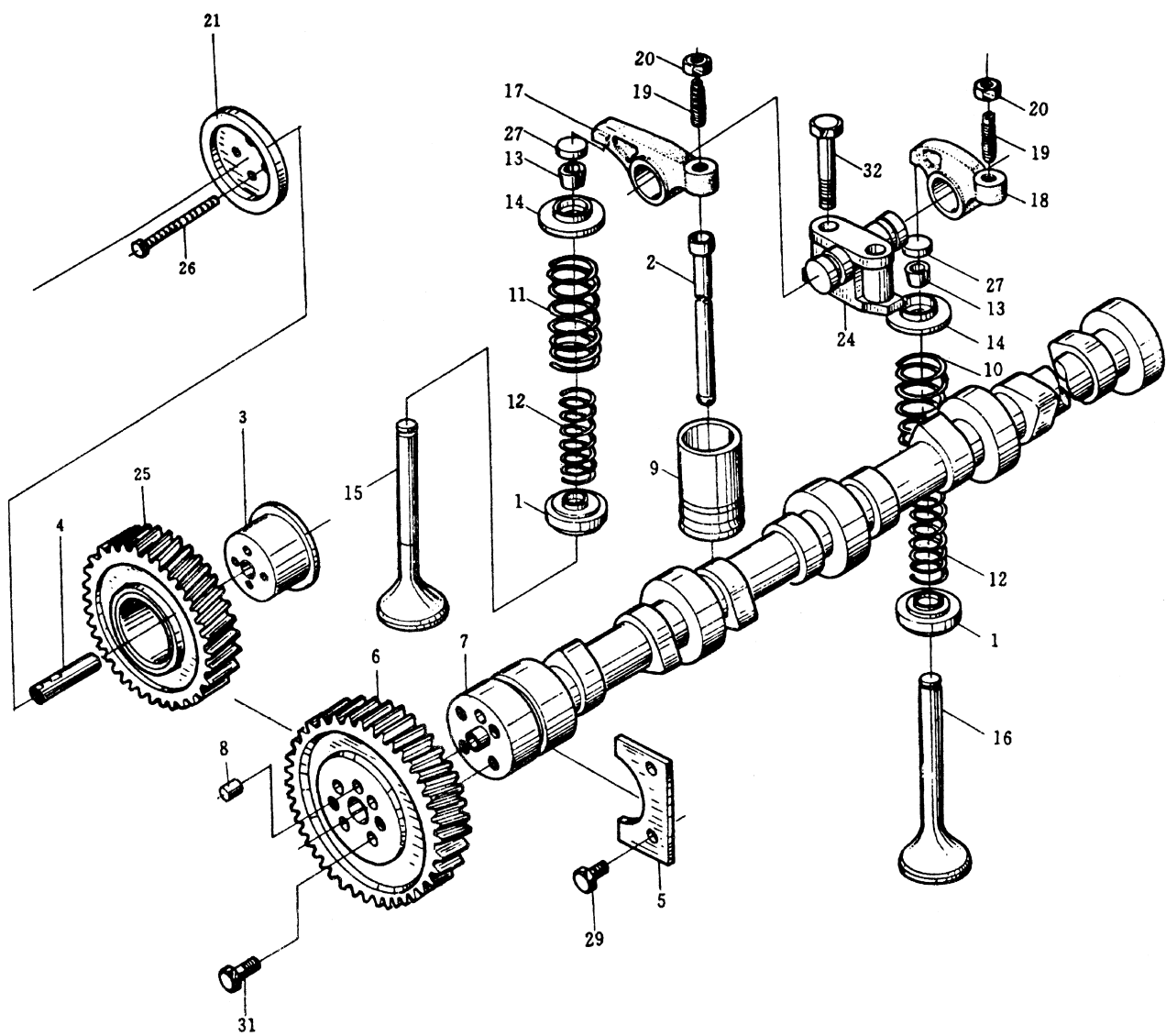
No	Number of part	Quantity	Description	Applicability	Designation	名称	Remark
1	61800030049	12			Steel pin	连杆轴瓦	
3	61560030013	6			Bolt	活塞销	
4	61800030040	6			Connecting rod	连杆体	
5	61800030044	6			Connecting cover	连杆盖	
6	61800030019	12			Screw	连杆螺丝	
7	61500030018	6			Bush	连杆衬套	
8	61800030042	6			Piston	活塞	
9	81560030012	12			Circlip	活塞销挡圈	
10	61560030046	6			Double laddering	梯形环	
11	61560030044	6			Conical ring	锥面环	
12	61560030045	6			Spiral spring oil ring	螺旋弹簧油封	



No	Number of part	Quantity	Description	Applicability	Designation	名称	Remark
	61 560040038	6			Cylinder head	气缸盖分总成	
2	61 500040049	6			Joint	气缸盖衬垫	
3	61 560040032	12			Scrapper	气门杆密封套	
4	61800040076	1			Pipe	管子	
5	61200040023	5			Clip	夹紧块	
6	61 500040012	2			Clip	吊环夹紧块	
7	61 500040009	5			Clip	夹紧块	
8	61200040027	2			Clip	夹紧块	
9	61 560040039	6			Joint	气缸盖罩衬垫	
10	61 500040023	24			Screw	气缸盖主螺栓	
11	61200040034	21			Nut	带肩螺母	
12	61 500040102	1			Pipe	出水管	
13	614 040065	6			Cover	气缸盖罩	
14	614 010388	2			Screw	吊环螺钉	
15	90003800466	24	M8×60 D00931		Screw	六角头螺栓	
16	90003932023	36	D8 D00137		Spring washer	波形弹性垫圈	
17	61 500010385	12	M8 D00934		Nut	I形六角头螺母	
18	90003813471	12	M8×70D00939		Stud	双头螺栓	
19	61000040030	1			Pipe	出水管	
20	61800040075	1			Cover	节温器盖	
21	90003932030	3			Spring washer	波形弹性垫圈	
22	90003802461	3			Screw	六角头螺栓	

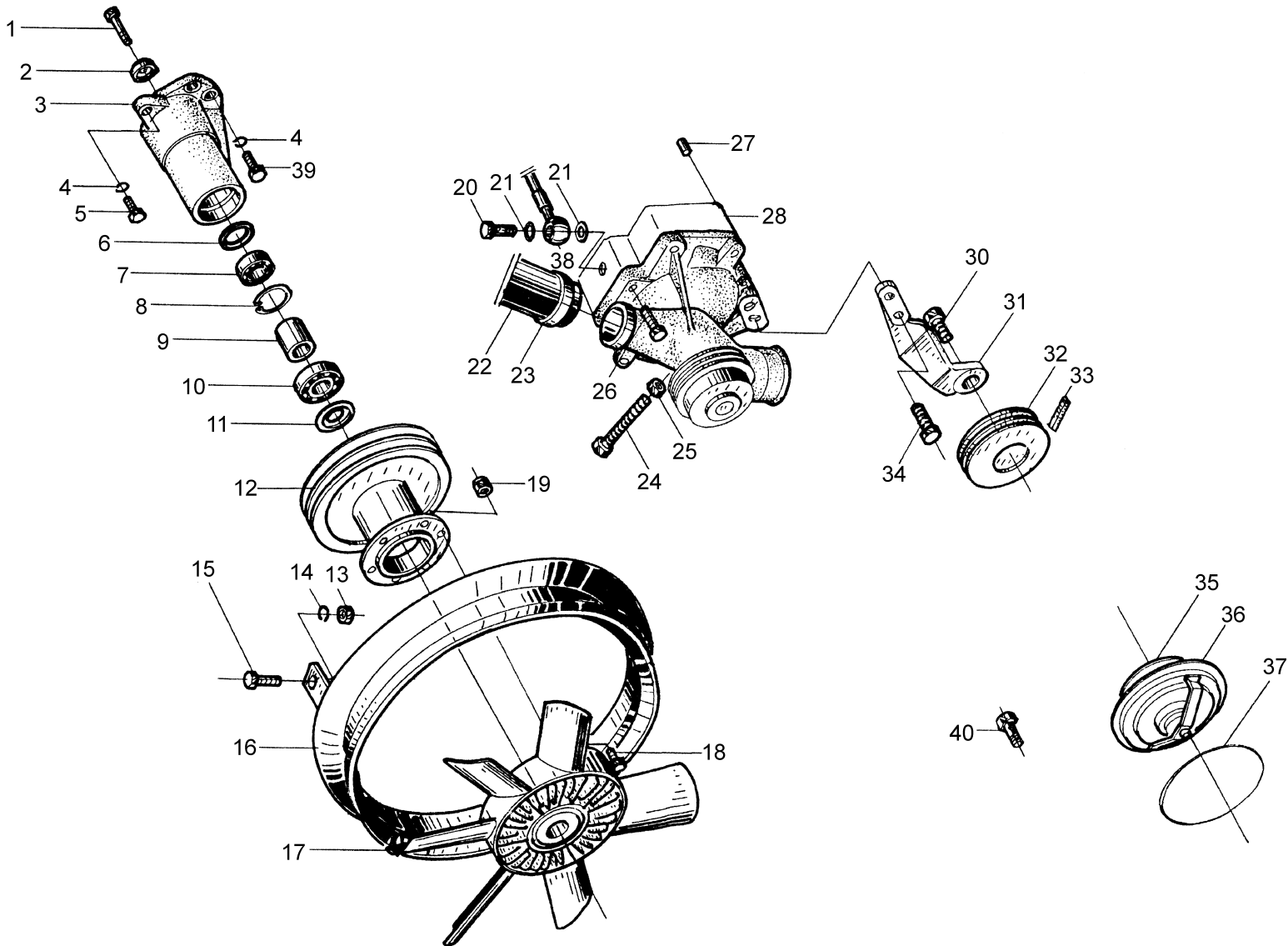


No	Number of part	Quantity	Description	Applicability	Designation	名称	Remark
1	61560050021	12			Rotator	气门弹簧座旋转机构	
2	61800050143	12			Push rod	推杆机构	
3	61560050044	1			Counter shaft	中间齿轮轴	
4	61560050058	1			Counter shaft	中间齿轮轴	
5	614 050133	1			Stop plate	凸轮轴止推片	
6	61800050144	1			Gear	凸轮轴齿轮	
7	61500050096	1			Camsaft	凸轮轴	
8	90003901409	1			Pin	圆柱销	
9	61500050032	12			Push rod	气门挺杆	
10	61500050002	6			Outer valve spring	气门外弹簧	
11	61560050020	6			Outer inlet valve spring	进气门外弹簧	
12	61560050025	12			Inner valve spring	气门内弹簧	
13	61500050025	24			Valve cone	气门锁夹	
14	61500050109	12			Spring base	气门弹簧上座	
15	61560050042	6			Intake valve	进气门	
16	61560050041	6			Exhaust valve	排气门	
17	614 050048	6			Rocker arm for intake valve	进气门摇臂	
18	614 050049	6			Rocker arm for exhaust valve	排气门摇臂	
19	614 050010	12			Screw	气门间隙调整螺钉	
20	2130050065	12			Nut	气门间隙调整螺母	
21	61560050045	1			Shim	垫片	
24	61500050108	6			Rocker arm support	气门摇臂座	
25	61800050098	1			Intermed wheel	中间齿轮总成	
26	61560050059	4			Screw	六角头螺栓	
27	61500050105	12			Air valve cap	气门帽	
29	90003902411	2			Screw	六角头螺栓	

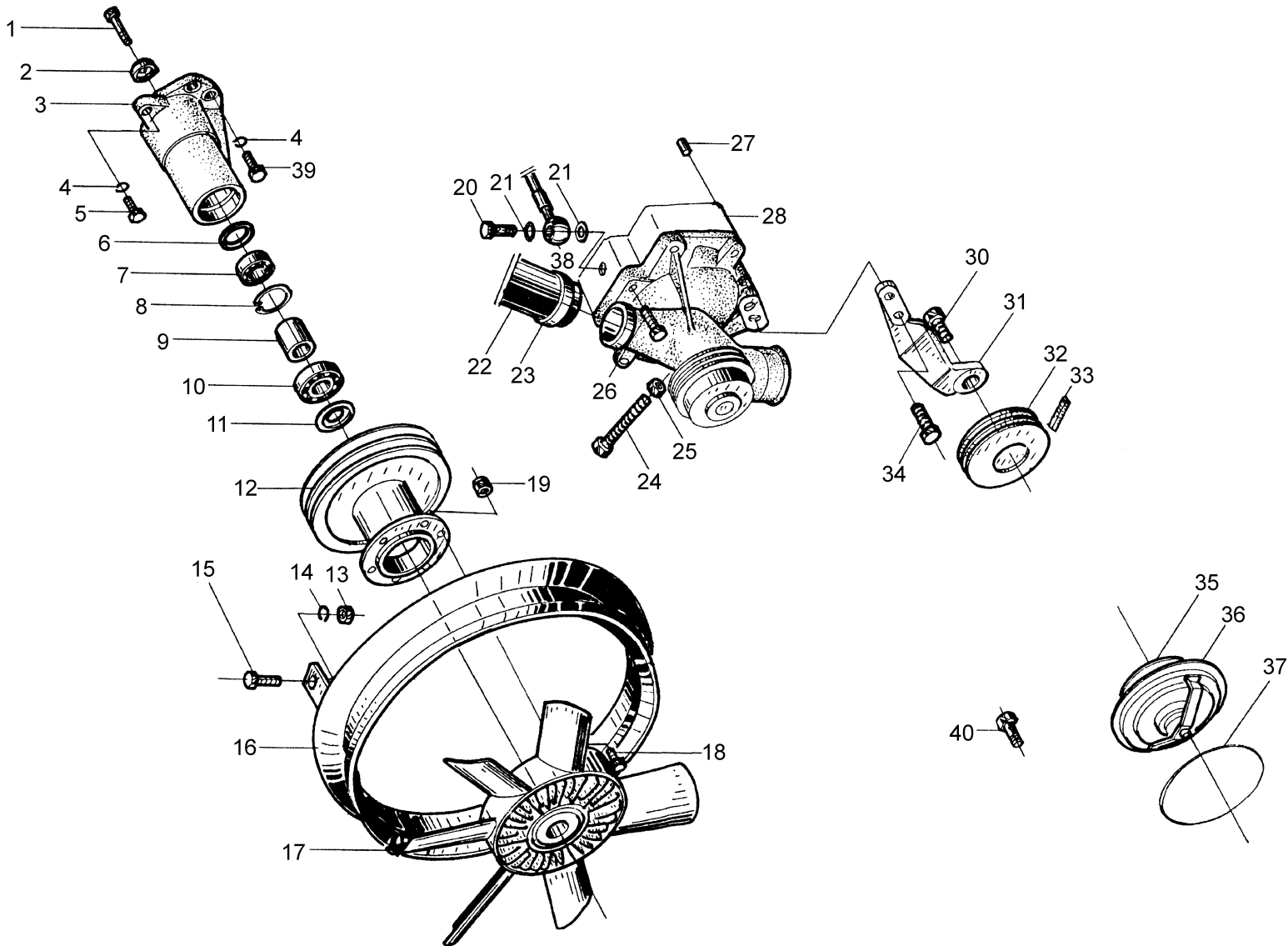




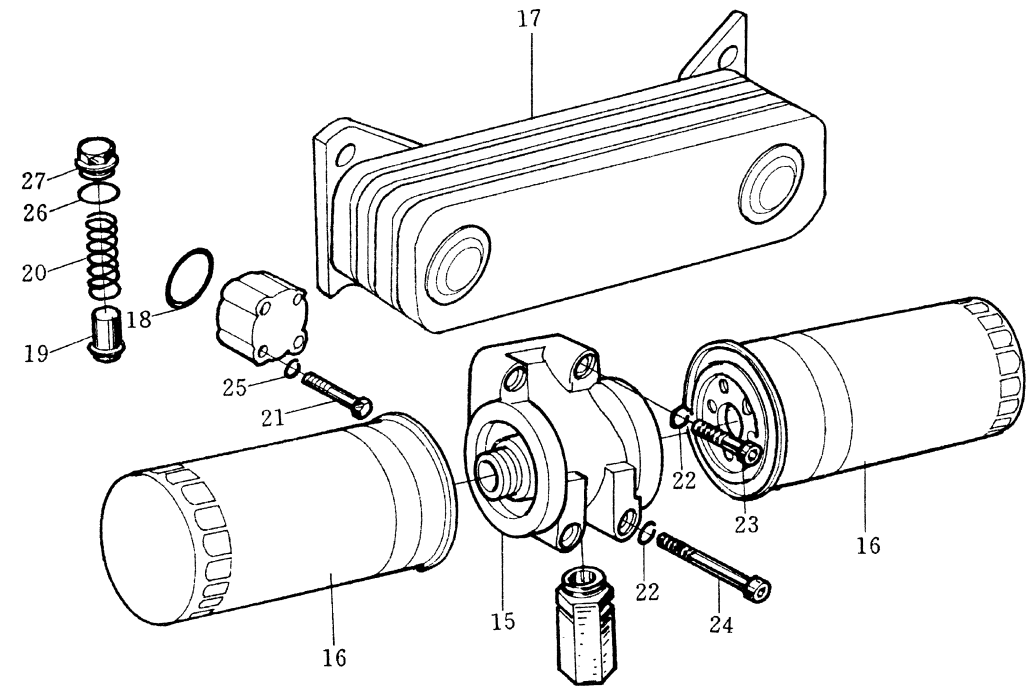
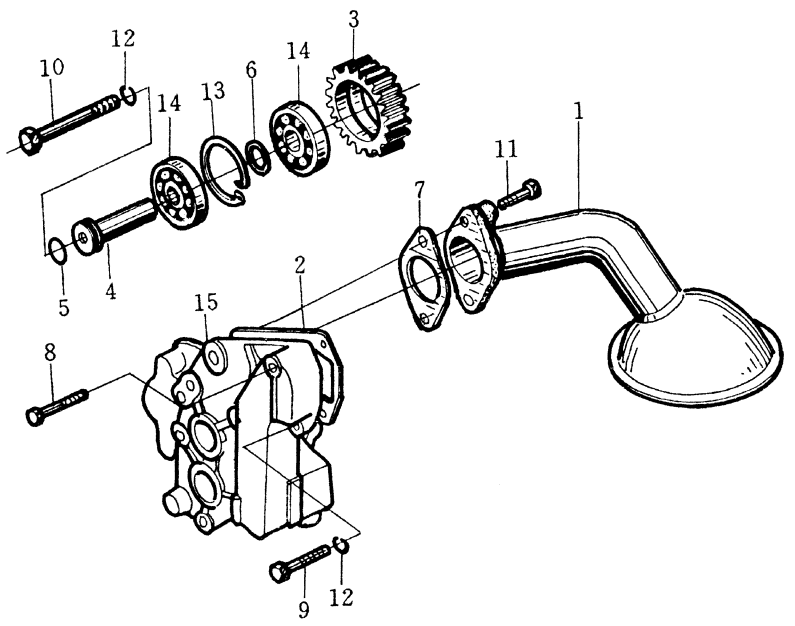
No	Number of part	Quantity	Description	Applicability	Designation	名称	Remark
31	90003802443	4	M8×20 DIN933-10. 9Zn		Screw	六角头螺栓	
32	90003802655	12	M12×60 DIN933-10. 9Zn		Screw	六角头螺栓	



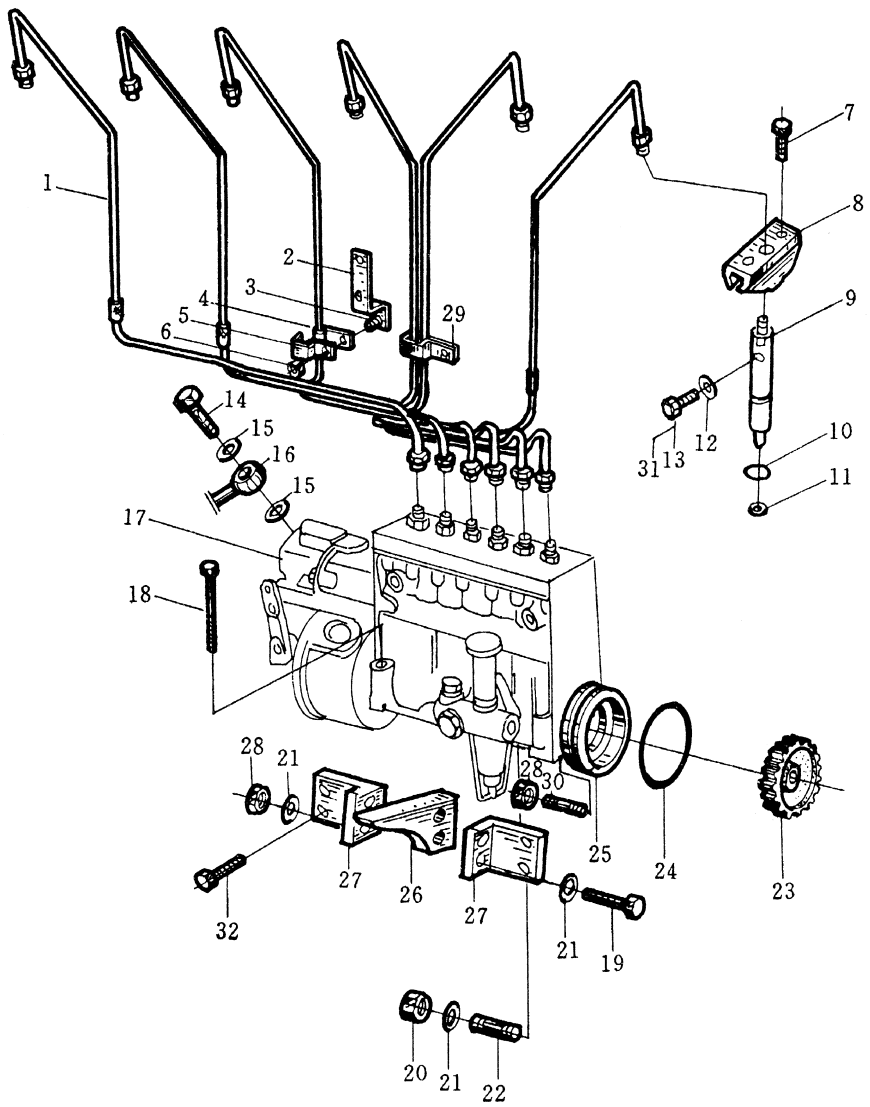
No	Number of part	Quantity	Description	Applicability	Designation	名称	Remark
1	90003802549	1	M10×55-8.8-A <sub>3</sub> C DIN00933		Screw	六角头螺栓	
2	81500060188	1			Pressure block	压紧块	
3	61800061025	1			Fan support	风扇托架	
4	90003932025	4	A10-FST-A <sub>3</sub> C DIN00137		Spring washer	鞍形弹性垫圈	
5	90003802542	2	M10×45-8.8-A <sub>3</sub> C DIN00933		Screw	六角头螺栓	
6	81500060035	1			Protecting sheet	防护圈	
7	90003310016	1	3205BTG DIN00628		Bearing	径向推力轴承	
8	90003934260	1	52×2 DIN00472		Circlip	孔用弹性挡圈	
9	61500060151	1			Spacer	隔套	
10	90003820056	1	N&P206E/TGP-C <sub>3</sub> N05412		Cyl roller bear	圆柱滚子轴承	
11	61500060030	1			Protecting sheet	防护圈	
12	61800061039	1			Belt puller	皮带轮总成	
13	90003871250	3	M8-8 DIN00934		Nut	I型六角螺母	
14	90003932030	3	A8-FST-A <sub>3</sub> C IN00137		Spring washer	波形弹性垫圈	
15	90003802419	3	M8×20-8.8-A <sub>3</sub> C DIN00933		Screw	六角头螺栓	
16	61800060161	1			Ring	护风罩总成	
17	81500060300	1			View hub	硅油离合器风扇	
18	90003802424	6	M8×25-8.8-A <sub>3</sub> C DIN00933		Screw	六角头螺栓	
19	90003888451	6	VM8-8A <sub>3</sub> C IN00980		Nut	II型六角锁紧螺母	
20	90003962607	1	A4-6S-A <sub>3</sub> C DIN07623		Hollow screw	空心螺栓	
21	90003098010	5	A10×13.5-C <sub>3</sub> DIN07603		Gasket	密封垫圈	
22	61800060157	1			Hose	成型软管	
23	90003989308	2	44/60-A <sub>3</sub> C N05074		Clamp	软管卡箍	
24	90003802578	1	M10×95-10.9-A <sub>3</sub> C DIN00933		Screw	六角头螺栓	
25	90003871305	1	M10-8-A <sub>3</sub> C DIN00934		Nut	I型六角螺母	
26	206012833126	8	M8×75-8.8-A <sub>3</sub> C DIN00933		Screw	六角头螺栓	



No	Number of part	Quantity	Description	Applicability	Designation	名称	Remark
27	90003901409	2	8M6×12-ST DIN00007		Pin	圆柱销	
28	61800061003	1			Water pump	水泵总成	
30	90003902836	1	M16×45-8.8-A <sub>2</sub> C DIN00933		Screw	六角头螺栓	
31	61800061011	1			Lashing	张紧板	
32	61560060069	1			Roll C	张紧轮总成	
33	AZ1500090065	2			V-belt	三角皮带	
34	90003860059	1	M16×35-8.8-A <sub>2</sub> C DIN06912		Screw	六角圆柱螺钉	
35	61800040079	2	AF2-0.5-N05091		Joint	衬垫	
36	61800060172	1			Thermostate	节温器	
36	61800060172B	1			Thermostate 71℃	节温器 71℃	option
37	680340065	2	60×4-DR100N05040		Gasket	密封圈	
38	61560070012	1			Oil inlet pipe	润滑油进油管总成	
39	90003902538	2	M10×40-8.8-A <sub>2</sub> C DIN00933		Screw	六角头螺栓	
40	90003902672	1	SK-SHR-M12×90-8.8-A <sub>2</sub> C		Screw	六角头螺栓	

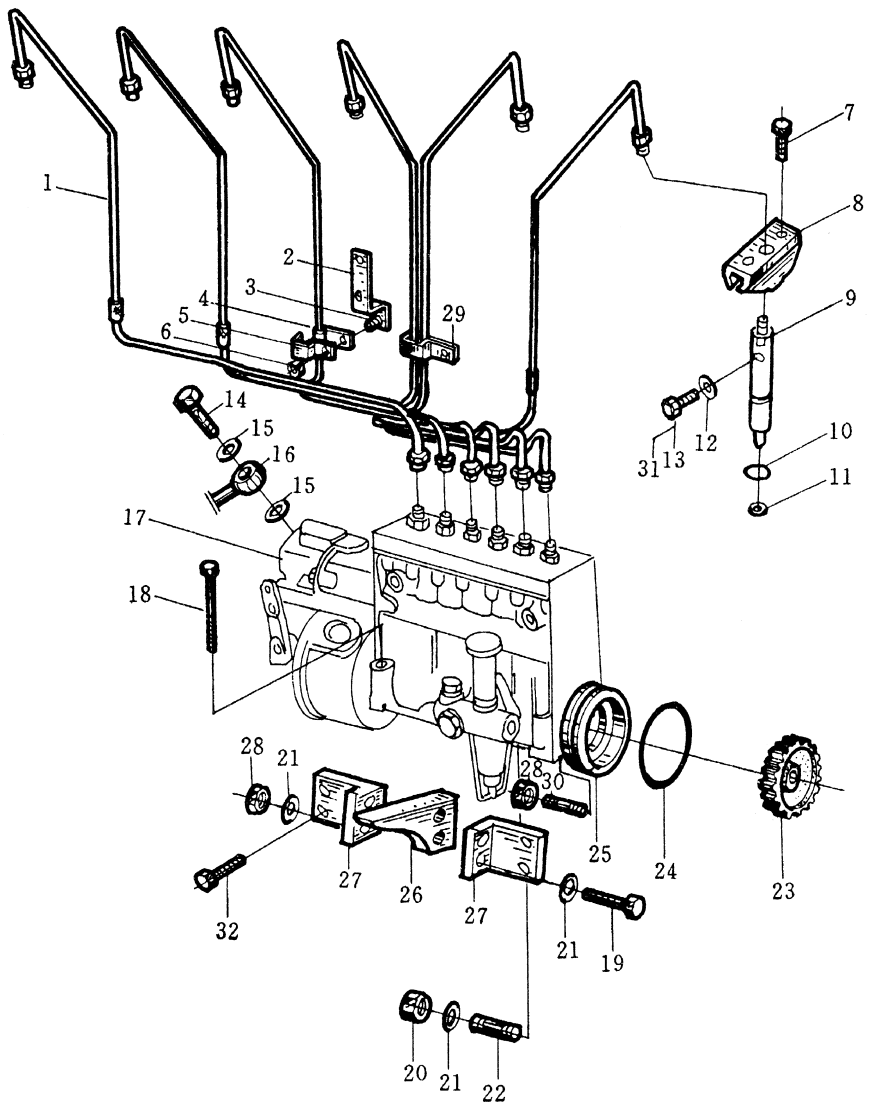


No	Number of part	Quantity	Description	Applicability	Designation	名称	Remark
1	61800070051	1			Suction pipe	集滤器总成	
2	614 070055	1			Gasket	机油泵垫片	
3	61800070024	1			Idler gear	齿轮	
4	614 070056	1			View hub	中间齿轮轴	
5	614 070155	1			Thermostat	密封圈	
6	614 070049	1			Thermostat	中间隔圈	
7	614 070078	1			Roll C	垫片	
8	90003800551	1	M10×55 DIN931		Screw	六角头螺栓	
9	90003802527	1	M10×30 DIN931		Screw	六角头螺栓	
10	90003802578	1	M10×95 DIN931		Screw	六角头螺栓	
11	90003802523	2	M10×25 DIN931		Screw	六角头螺栓	
12	90003931122	2	D10 DIN127		Washer	弹簧垫圈	
13	90003934732	1	47×1.75 DIN984		Circlip	带凸齿的孔用挡圈	
14	90003311410	2	6303 DIN625		Ball bearing	向心球轴承	
15	61800070028	1			Hose	机油泵总成	
16	6100007005	2			Filter	旋转式机油滤芯总成	
17	61800010113	1			Oil radiator	机油冷却器总成	
18	81400010032	2			Screw	密封圈	
19	614 070069	1			Safety valve	安全阀	
20	614 070068	1			Valve spring	安全阀弹簧	
21	90003862419	8	M8×16 DIN 912-8.8Zn		Screw	六角头螺栓	
22	90003932023	4	E8 DIN 137Zn		Spring washer	波形弹性垫圈	
23	90003862443	2	M8×40 DIN 912-8.8Zn		Screw	内六角圆柱头螺钉	
24	90003862482	2	M8×90 DIN 912-8.8Zn		Screw	内六角圆柱头螺钉	
25	9000309 086	1	A30×36 DIN 7603Cu		Gasket	密封圈	
26	90003962051	1	CM30×1.5 DIN 7604 5.8Zn		Screw	六角头螺塞	

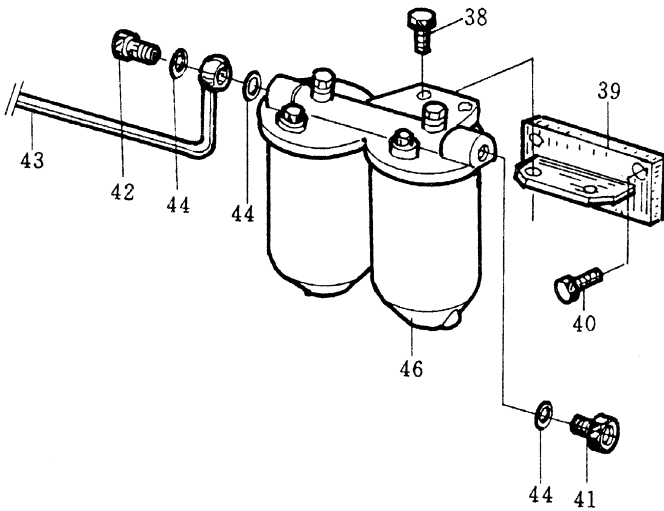
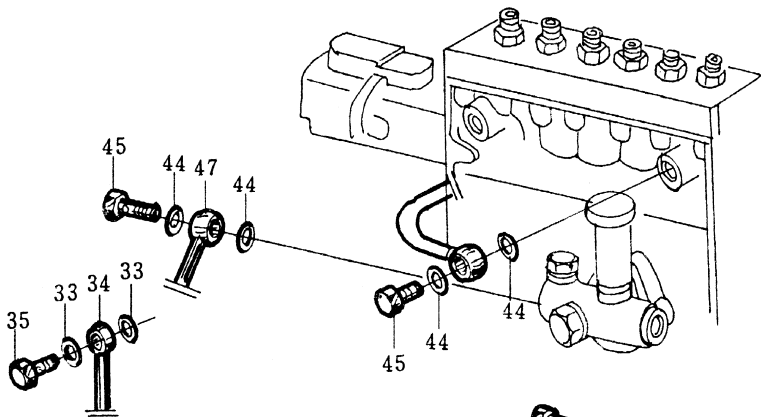
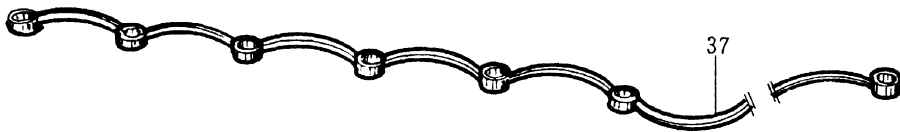




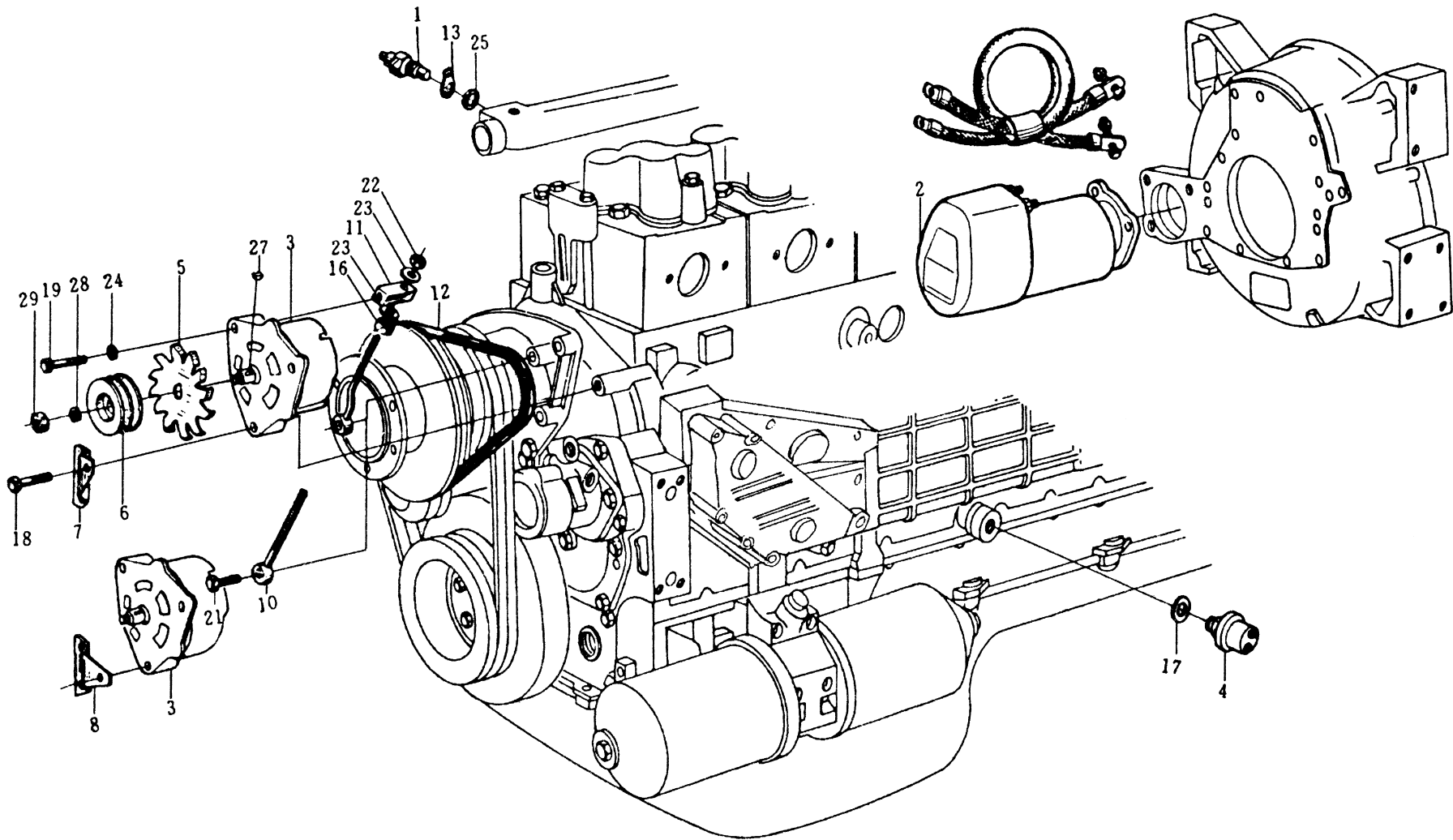
No	Number of part	Quantity	Description	Applicability	Designation	名称	Remark
1	61800080054	1			Injection pipe set	高压油管组件	
1-1	61800080054-1	1			1st cyl. injection pipe	第一缸高压油管总成	
1-2	61800080054-2	1			2nd cyl. injection pipe	第二缸高压油管总成	
1-3	61800080054-3	1			3rd cyl. injection pipe	第三缸高压油管总成	
1-4	61800080054-4	1			4th cyl. injection pipe	第四缸高压油管总成	
1-5	61800080054-5	1			5th cyl. injection pipe	第五缸高压油管总成	
1-6	61800080054-6	1			6th cyl. injection pipe	第六缸高压油管总成	
2	61560080172	5			Support plate	支承架	
3	206012832910	4	M6×12-8.8-A <sub>2</sub> C DIN00933		Screw	六角头螺栓	
4	614 080061	4			Clamp	管卡下片	
5	614 080060	4			Clamp	管卡上片	
6	90003871232	4	M6-8-A <sub>2</sub> C DIN00933		Nut	I型六角头螺母	
7	90003802455	12	M8×55-8.8-A <sub>2</sub> C DIN00933		Screw	六角头螺栓	
8	61500080094A	6			Plate	紧固压板	
9	61560080272	6			Nozzle holder	喷油器总成	
9-1	61560080272-1	1			Nozzle	油嘴	
10	609 070080	6			Joint	密封垫圈	
11	614 080082	6			Washer	垫圈	
12	90003090005	11	A6×10-AL DIN07603		Joint	密封垫圈	
13	61500080170	5			Hollow screw	双头空心螺栓	
14	90003962612	2	8-3 DIN07643		Hollow screw	空心螺栓	
15	90003098012	4	A12×12.5-Cu DIN07603		Joint	密封垫圈	
16	61800080064	1			Pipe	管	
17	61800080048	1			Injection pump	燃油泵	
17-1	61800080048-1	1			Fuel feed pump	输油泵	
18	90003800323	2	M8×8.5-8.8-A <sub>2</sub> C DIN00933		Screw	六角头螺栓	



No	Number of part	Quantity	Description	Applicability	Designation	名称	Remark
19	206012890098	2	M10×70-8.8-A <sub>2</sub> C DIN00933		Screw	六角头螺栓	
20	90003888452	4	M10×10-A <sub>2</sub> C DIN00939		Hexagon nut	Ⅱ型全金属六角螺紧螺母	
21	90003930271	10	A10.5-140HV-A <sub>2</sub> C DIN00125		Washer	平垫圈	
22	90003813537	4	M10×35-8.8-A <sub>2</sub> C DIN00939		Stud	双头螺栓	
23	61800080034	1			Gear	齿轮	
24	90003120088	1	169×3-DR150 N05040		Screw	密封圈	
25	61800080015	1			Spacer	喷油泵法兰	
26	61800080039	1			Bracket	托架	
27	61800080040	2			Angle	角架	
28	90003871305	7	M10-8-A <sub>2</sub> C DIN00934		Nut	Ⅰ型六角螺母	
29	61560080174	1			Clamp	管夹片	
30	90003813527	3	M10×28-8.8-A <sub>2</sub> C DIN00939		Stud	双头螺栓	
31	61500080169	1			Hollow screw	空心螺栓	
32	90003802523	4	M10×25-8.8-A <sub>2</sub> C DIN00939		Screw	六角头螺栓	

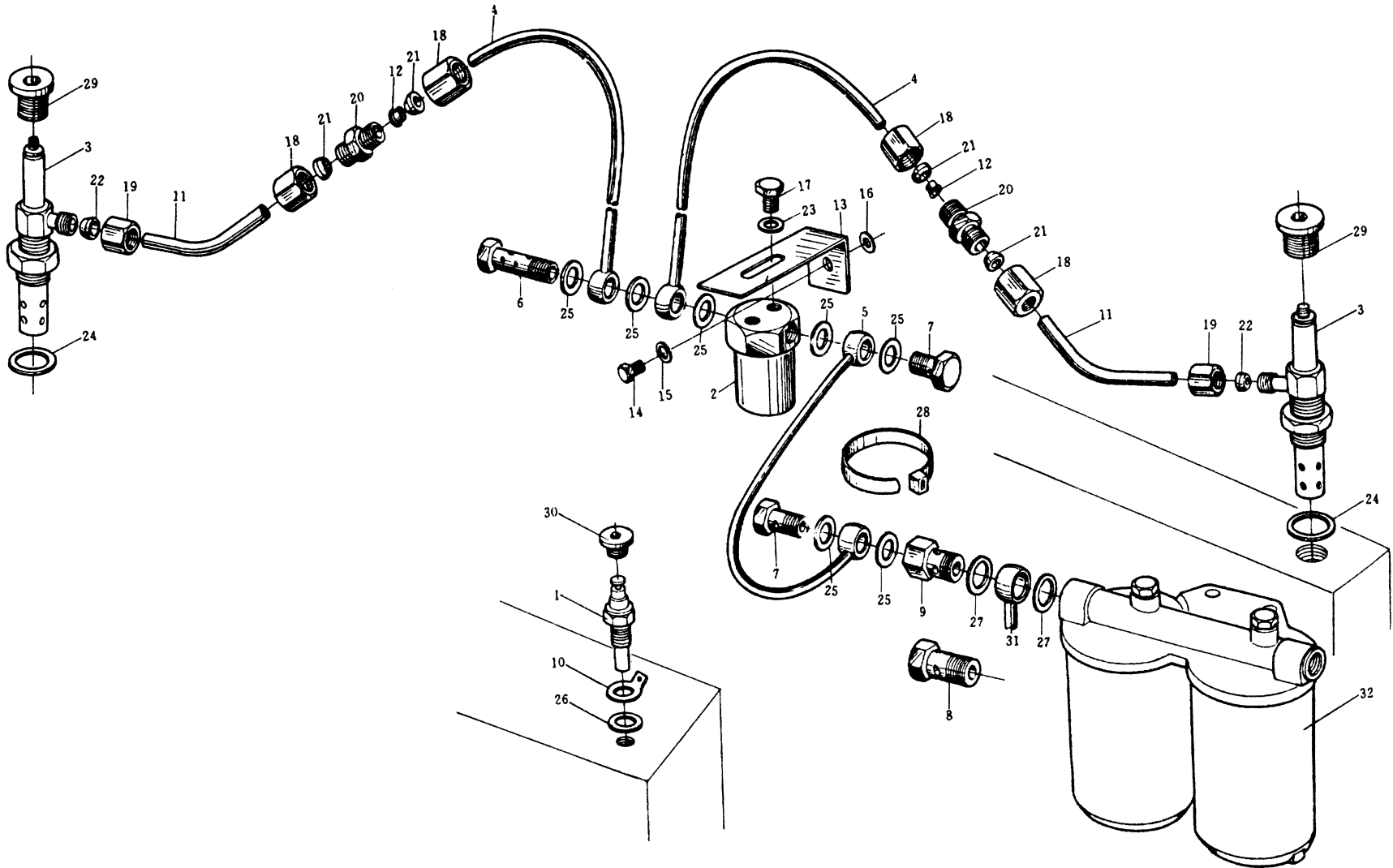


No	Number of part	Quantity	Description	Applicability	Designation	名称	Remark
33	90003098010	8	A10×13.5-Cu DIN07603		Gasket	密封垫圈	
34	61500070011	1			Oil inlet pipe	润滑油进油管总成	
35	90003962607	4	6-3 DIN7643		Hollow screw	空心螺栓	
37	61800080176	1			Oil outlet pipe	回油管	
38	90003802627	2	M10×30-8.8-A <sub>3</sub> C DIN00933		Screw	六角头螺栓	
39	61800080041	1			Bracket	托架组件	
40	90003802519	2	M10×22-8.8-A <sub>3</sub> C DIN00933		Screw	六角头螺栓	
41	90003559844	1	CL10-A-ST DIN02353		Plug	旋紧螺丝	
42	90003962607	1			Hollow screw	空心螺栓	
43	61800080061	1			Hose	燃油管	
44	90003098015	12	A14×20-Cu DIN07603		Gasket	密封垫圈	
45	206783400106	3	10DIN07643		Hollow screw	空心螺栓	
46	614080295	1			Fuel filter C	燃油滤清器总成	
46-1	614080740	1			Prefilter element	粗滤器滤芯	
46-2	614080739	1			Fine filter element	细滤器滤芯	
47	61800080061	1			Hose	燃油管	



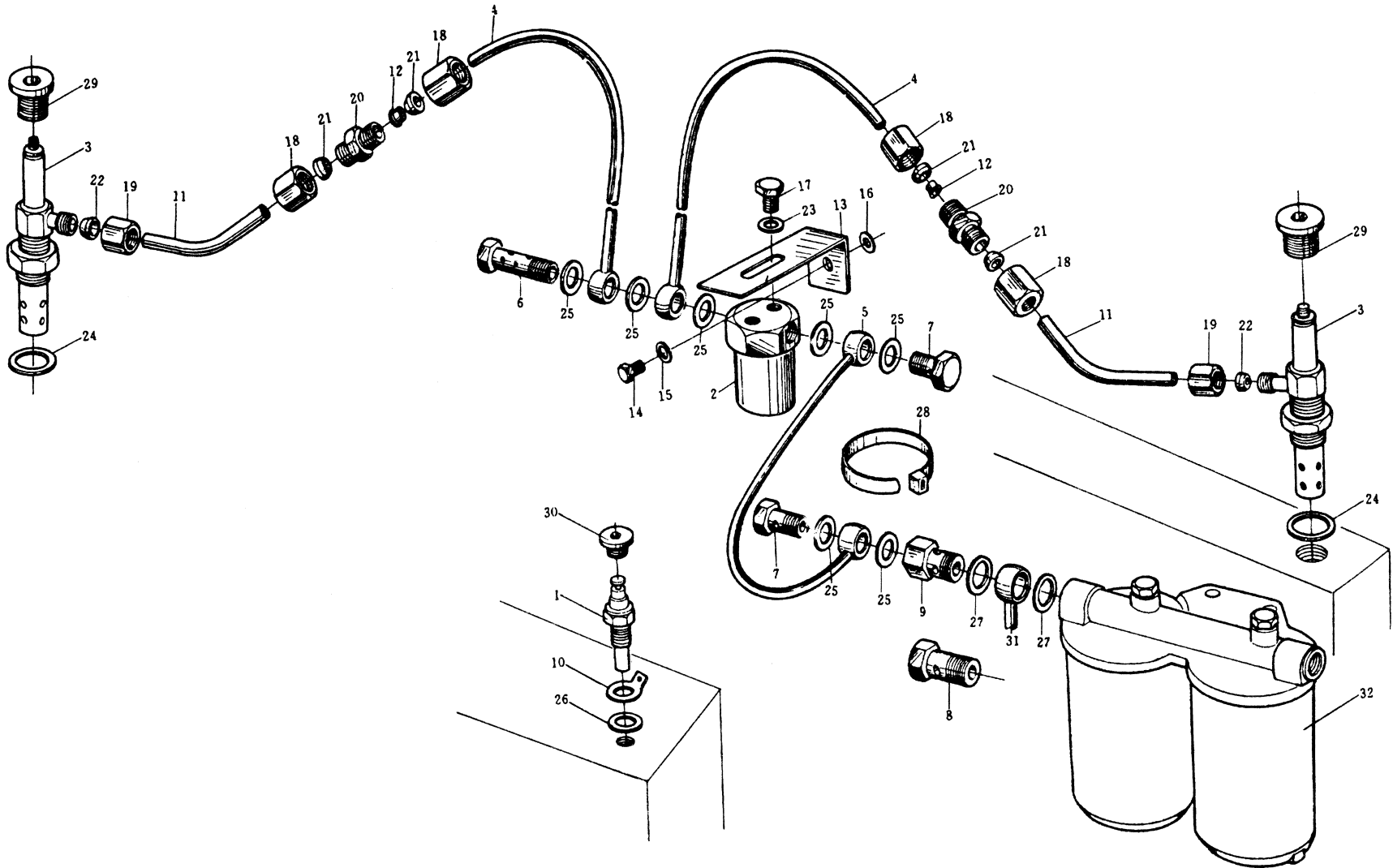


No	Number of part	Quantity	Description	Applicability	Designation	名称	Remark
1	614 090067	1			Water temperature sensor	水温表传感器	
2	61500090029	1			Starter	起动机	
3	61200090043	1			Alternator	交流发电机	
4	61500090051	1			Oil pressure sensor	压力感应塞	
5	614 090058	1			Wheel	风扇叶轮	
6	61500090004	1			Belt pulley	皮带轮	
7	61800090021	1			Sheet	固定板	
10	61200060184	1			Screw	拧紧螺栓	
11	61500090024	1			Distance piece	拧紧块	
12	61800090022	2			V-belt	三角皮带	
13	614 090050	1	10×1275		Connecting terminal	接线柱	
16	90003888452	1	VM10DIN 0980.8		Nut	I型全金属六角锁紧螺母	
17	90003098020	1	A18×22 DIN7603		Sealing ring	密封垫圈	
18	90003800571	1	M10×70 D00931.8.8		Screw	六角头螺栓	
19	90003800564	1	M10×75 DIN00931		Screw	六角头螺栓	
21	90003802523	1	M10×25 D00933		Screw	六角头螺栓	
22	90003871305	1	M10 DIN9348		Nut	I型六角螺母	
23	90003935125	2	11 DIN1441		Gasket	平垫圈	
24	90003932025	1	A10 DIN137		Spring washer	鞍形弹性垫圈	
25	90003098014	1	M14×18 DIN7603		Gasket	密封垫圈	
27	900 023006	1	4×5×13		Key	半圆键	
28	916 690010	1	M14 GB93-87		Spring washer	弹簧垫圈	
29	915 041004	1	M14×1.5		Nut	I型六角螺母	

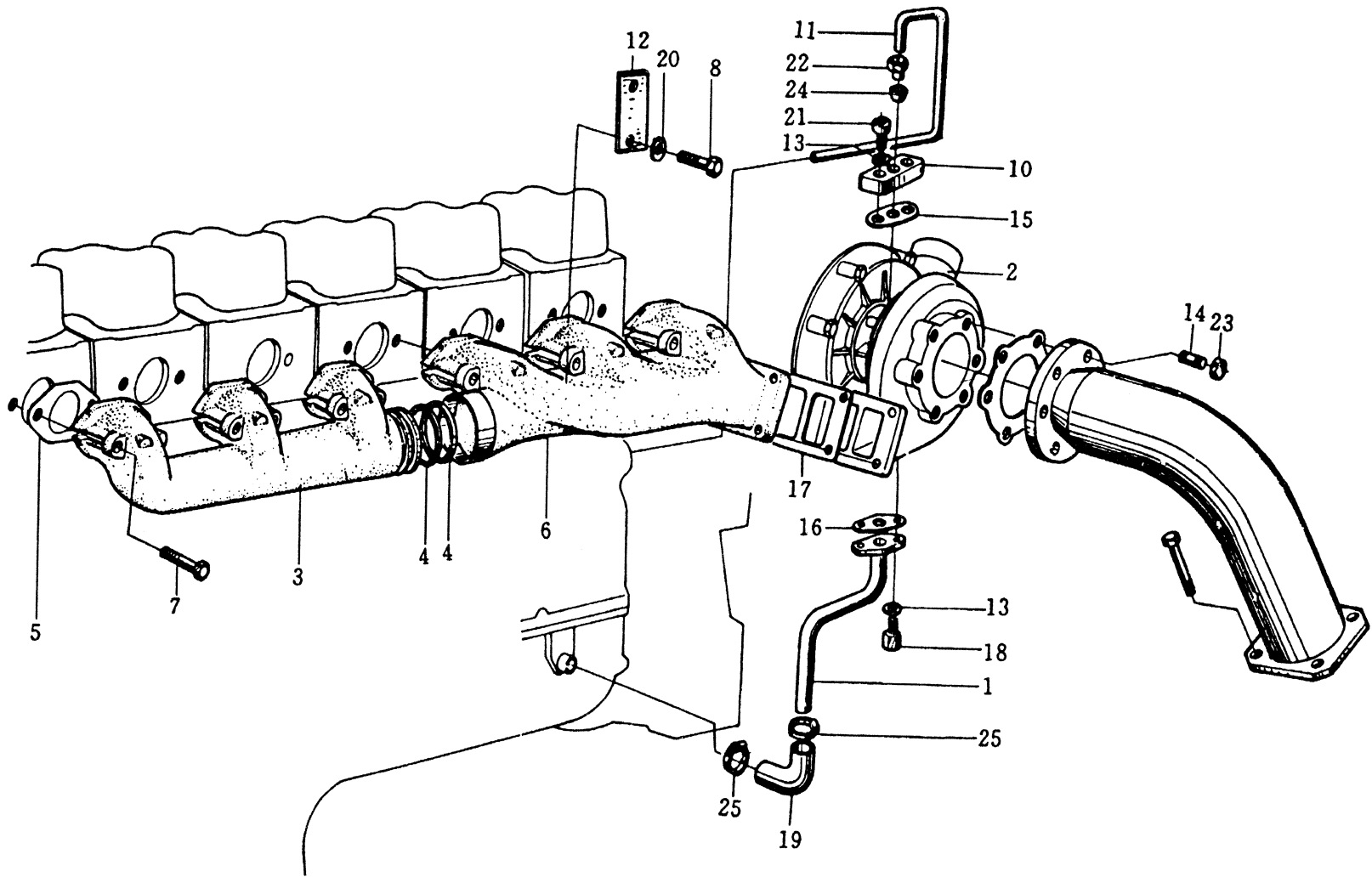




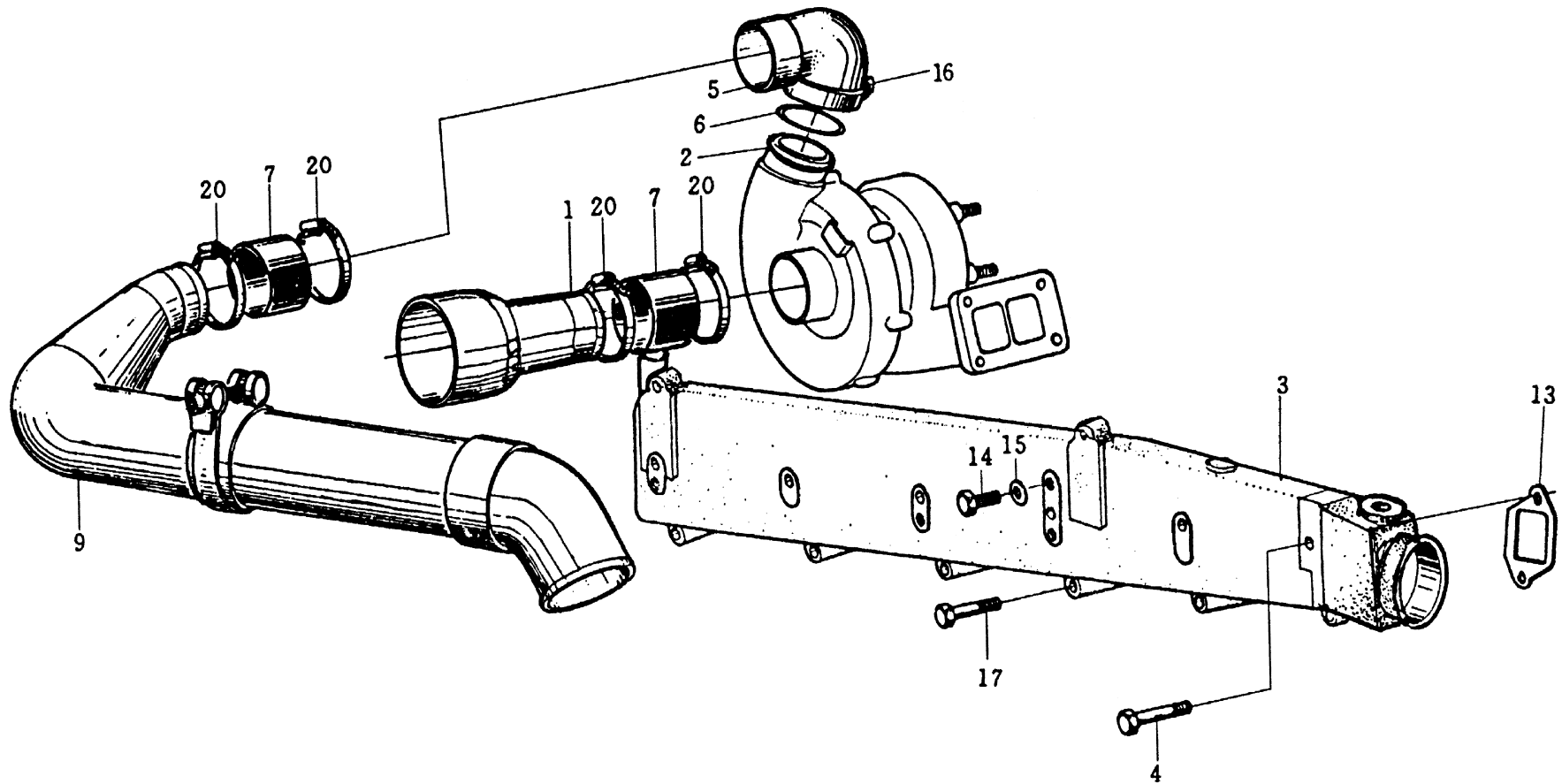
No	Number of part	Quantity	Description	Applicability	Designation	名称	Remark
1	AZ1 500090132	1			Temperature sensor	温度传感器	
2	61200090163	1			Solenoid valve	电磁阀	
3	61200090162	1			Flamespark plug	火焰预热电热塞	
4	61560080154	2			Fuel pipe	燃油管总成	
5	61200080159	1			Fuel pipe	燃油管总成	
6	81560080212	1			Hollow screw	空心螺栓	
7	90003962607	2	A4DN 7623 - 6S - A3C		Hollow screw	空心螺栓	
8	90003962621	1			Hollow screw	空心螺栓	
9	609E110070	1			Connection screw	联接螺栓	
10	79000770116	1			Blade terminal	扁形插头	
11	81560080327	2			Pipe	管	
12	99014280016	2			Bush	衬套	
13	99012360441	1			Angle	角形支架	
14	90003802415	1			Screw	六角头螺栓	
15	90003932023	1			Spring washer	波形弹性垫圈	
16	90003930261	1	A8.4 00125 A3C		Washer	平垫圈	
17	90003802307	2			Hex head screw	六角头螺栓	
18	90003559516	4			Union nut	管接头用螺母	
19	90030559506	2			Union nut	联接螺母	
20	90003559462	2			Adaptor	卡套式直通接头体	
21	90003559561	4			Taper bush	卡套	
22	90003559557	2			Taper bush	卡套	
23	90003931082	2	B6 D0127 - A3C		Spring washer	弹簧垫圈	
24	90003098029	2			Gasket	密封垫圈	
25	90003098010	7			Gasket	密封垫圈	
26	90003098010	1			Gasket	密封垫圈	



No	Number of part	Quantity	Description	Applicability	Designation	名称	Remark
27	90003098015	2			Gasket	密封垫圈	
28	90003171697	4	A5×180 B5199		Wire fastener	塑料紧箍带	
29	90003960005	2			Thread plug	内六角螺塞	
30	90003962014	1			Hex head screw	六角头螺栓	
31	61800080062	1			Hose	燃油管	
32	614 080295	1			Fuel filter	燃油滤清器总成	

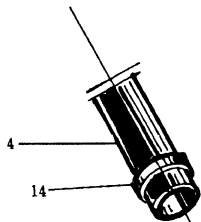
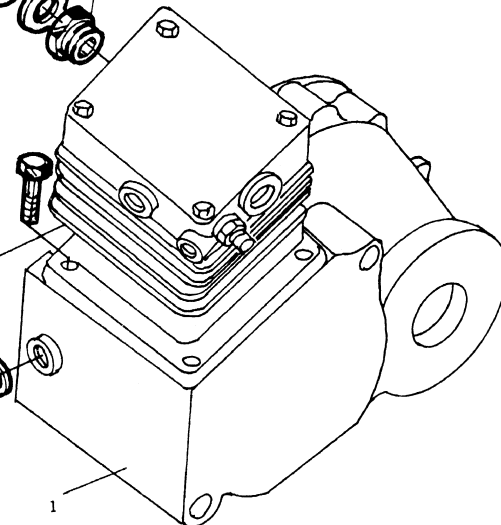
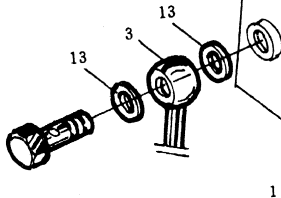
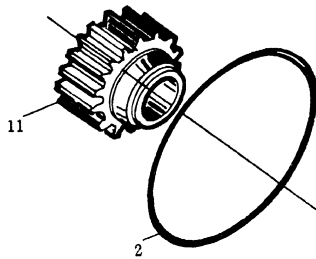
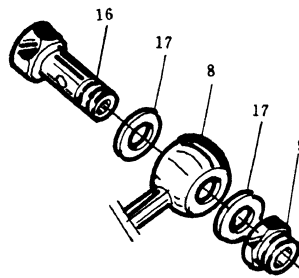
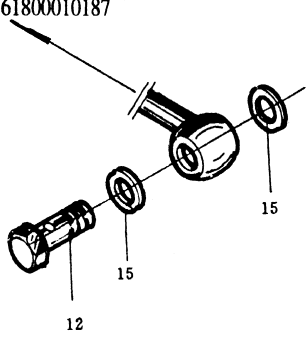


No	Number of part	Quantity	Description	Applicability	Designation	名称	Remark
1	61800110043	1			Oil pipe	回油管总成	
2	61800110044	1			Turbocharger	废气涡轮增压器	
3	61560110120	1			Exhaust manifold front	前排气歧管	
4	61260110162	4			Set of discs	排气管密封环	
5	61560110242	6			Joint	排气管垫片	
6	61560110222	1			Exhaust manifold rear	后排气歧管	
7	61560110104	11			Screw	排气管紧固螺栓	
8	61560110105	1			Screw	排气管紧固螺栓	
10	81560110152	1			Joint	进油管法兰	
11	61800110041	1			Oil inlet pipe	增压器进油管	
12	99974200	1			Plate	托板	
13	188250083	2			Washer	自锁垫圈	
14	81560110187	6			Stud	双头螺栓	
15	619E110030	1			Joint	进油管垫片	
16	61260110048	1			Joint	回油管法兰垫片	
17	61560110210	1			Joint	增压器垫片	
18	61460070014	2			Screw	回油管螺栓	
19	61560110225	1			Hose	增压器回油用成型软管	
20	609 070067	1			Flat washer	止推垫圈	
21	90003862428	2	M8×25 DIN912		Screw	内六角圆柱头螺钉	
22	90003559513	2	AL12 D03871		Nut	联管螺母	
23	90003888470	6			Nut	自锁螺母	
24	90003559563	2			Taper bush	卡套	
25	90003989340	2	22/29 N05074		Clamp	软管卡箍	

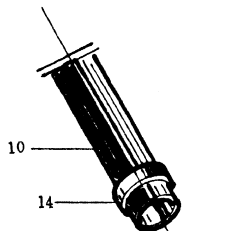


No	Number of part	Quantity	Description	Applicability	Designation	名称	Remark
1	61260110505	1			Funnel	压气机进气管组件	
2	61800110044	1			Turbocharger	废气涡轮增压器	
3	61500110155	1			Air intake manifold	进气管总成	
4	614 110064	4			Screw	进气管紧固螺栓	
4a	90003800497	2	M8×160 DIN931		Screw	六角头螺栓	
5	61800110045	1			Connector pipe	进气接管	
6	190 320035	1			Gasket	密封圈	
7	81560110220	2			Hose	胶管	
9	612600110001	1			Pipe	管子总成	
13	61500110024	6			Joint	进气管垫片	
14	90003962014	1	AM10×1 DIN7604		Screw plug	六角头螺塞	
15	90003098010	1	A10×13.5 DIN7603		Sealing ring	密封垫圈	
16	61560110226	1			Clip	夹子	
17	90003800465	6	M8×80 DIN931		Screw	六角螺栓	
20	90003989318	2	70/89 N05074		Clamp	软管卡箍	

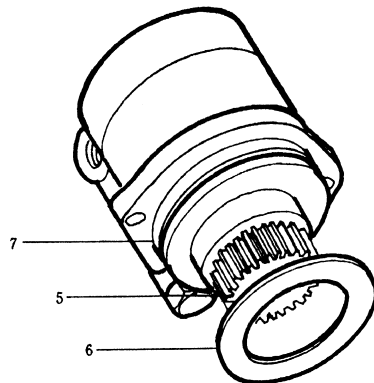
61800010187



61800010109

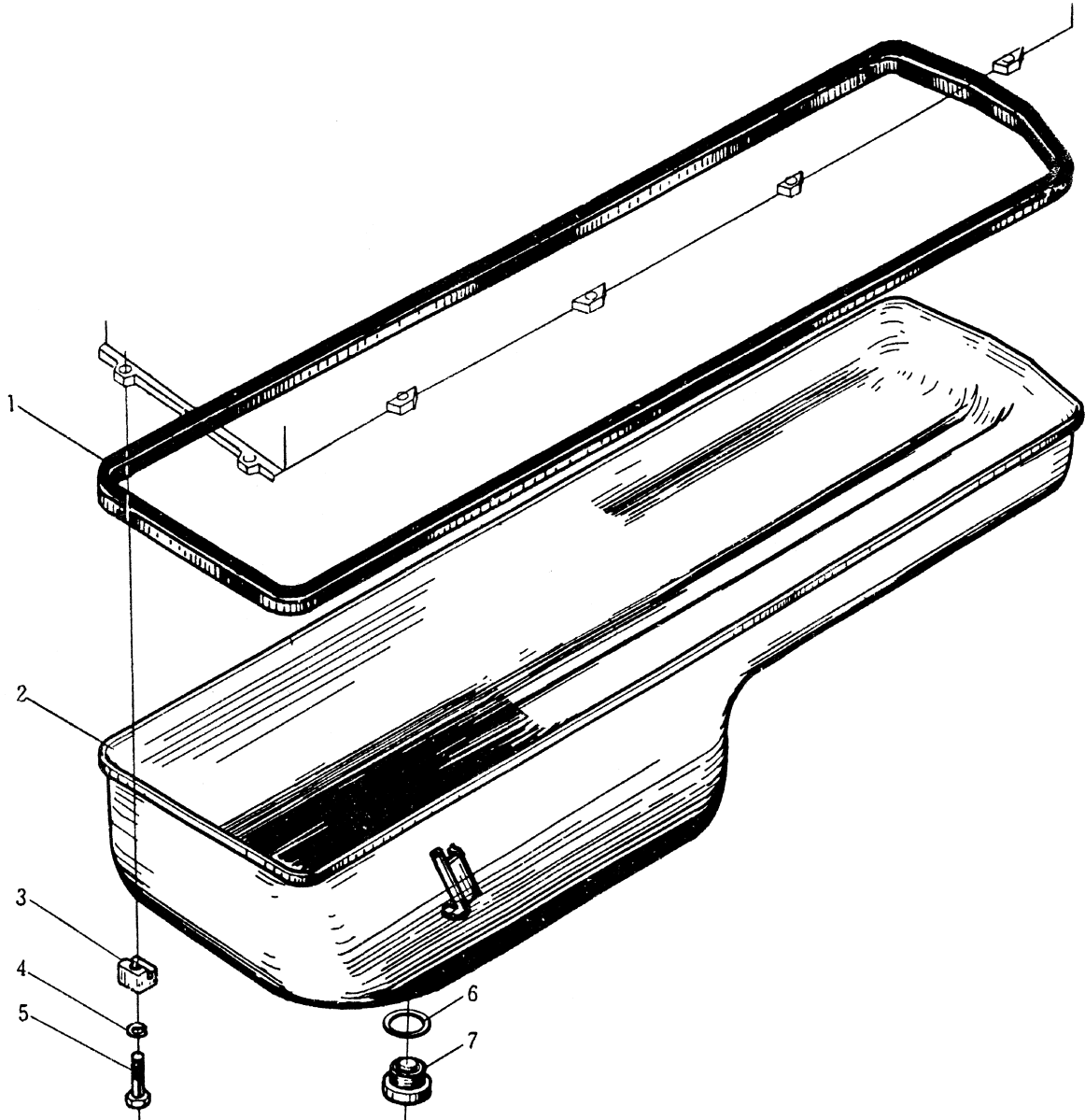


61800060149

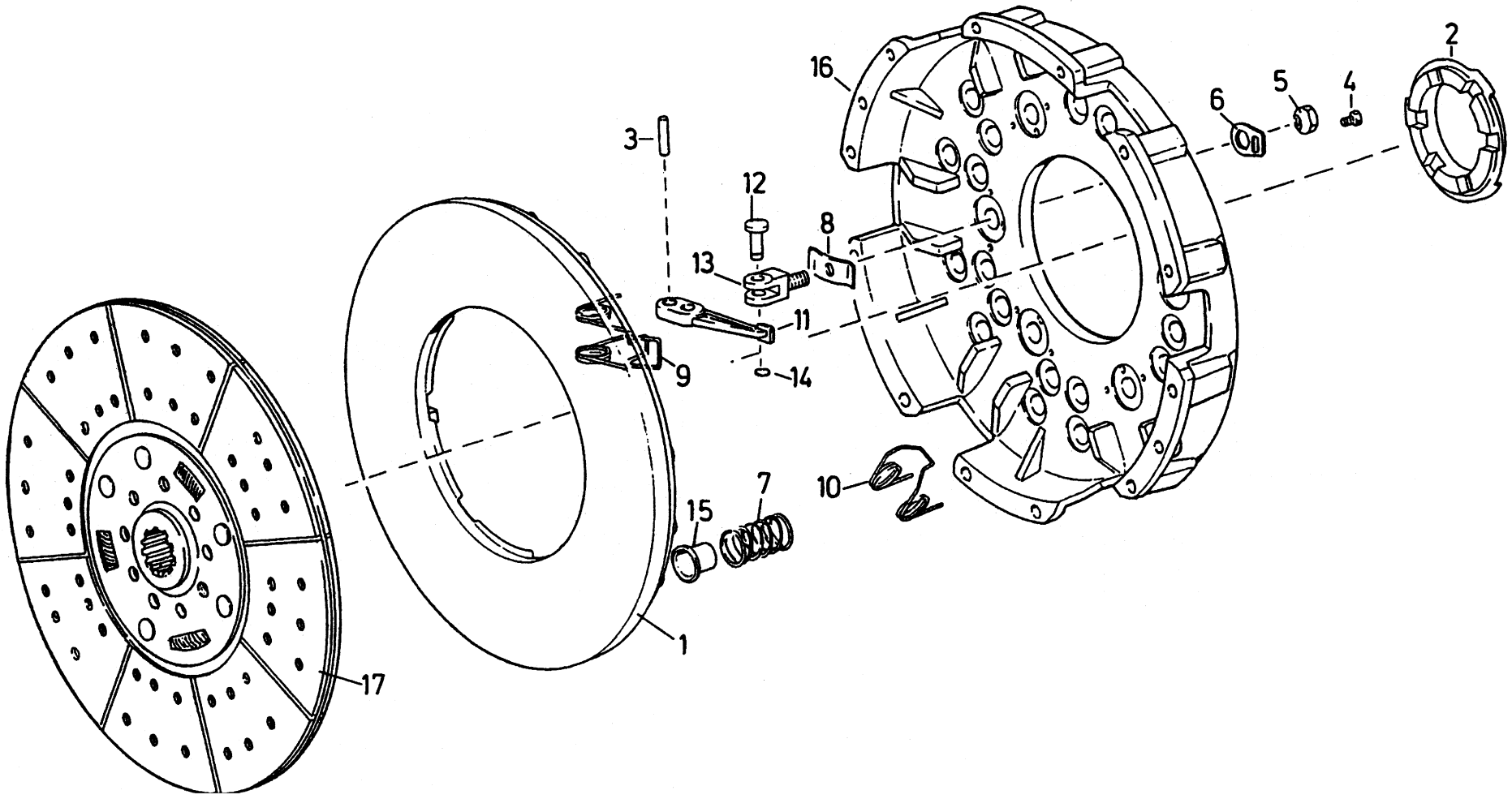




No	Number of part	Quantity	Description	Applicability	Designation	名称	Remark
1	61800130043	1			Air compressor	空压机	
2	30800010003	1			Gasket	密封圈	
3	61800130044	1			Oil pipe	润滑油管	
4	612600130013	1			Hose	橡胶管	
5	61800130010	1			Gear for hydraulic pump	液压泵齿轮	
6	61800130047	1			Joint	垫片	
7	61800130034	1			Hydraulic pump	液压泵	
8	99100270120	4			Connector	软管接头	
9	99100360161	2			Connector	异形接头体	
10	612600130014	1			Hose	橡胶管	
11	61800130046	1			Gear	齿轮	
12	90003962607	2	6-3 DIN07643		Hollow screw	空心螺栓	
13	90003099010	4	A10×13.5-Cu DIN07603		Joint	密封垫圈	
14	90003989300	4	13/16-A <sub>3</sub> CN05074		Clemp	软管卡箍	
15	90003099026	2	A22×27-Cu DIN07603		Gasket	密封圈	
16	90003962627	3	12-3 DIN07643		Hollow screw	空心螺栓	
17	90003099016	8	A16×20-Cu DIN07603		Joint	密封垫圈	

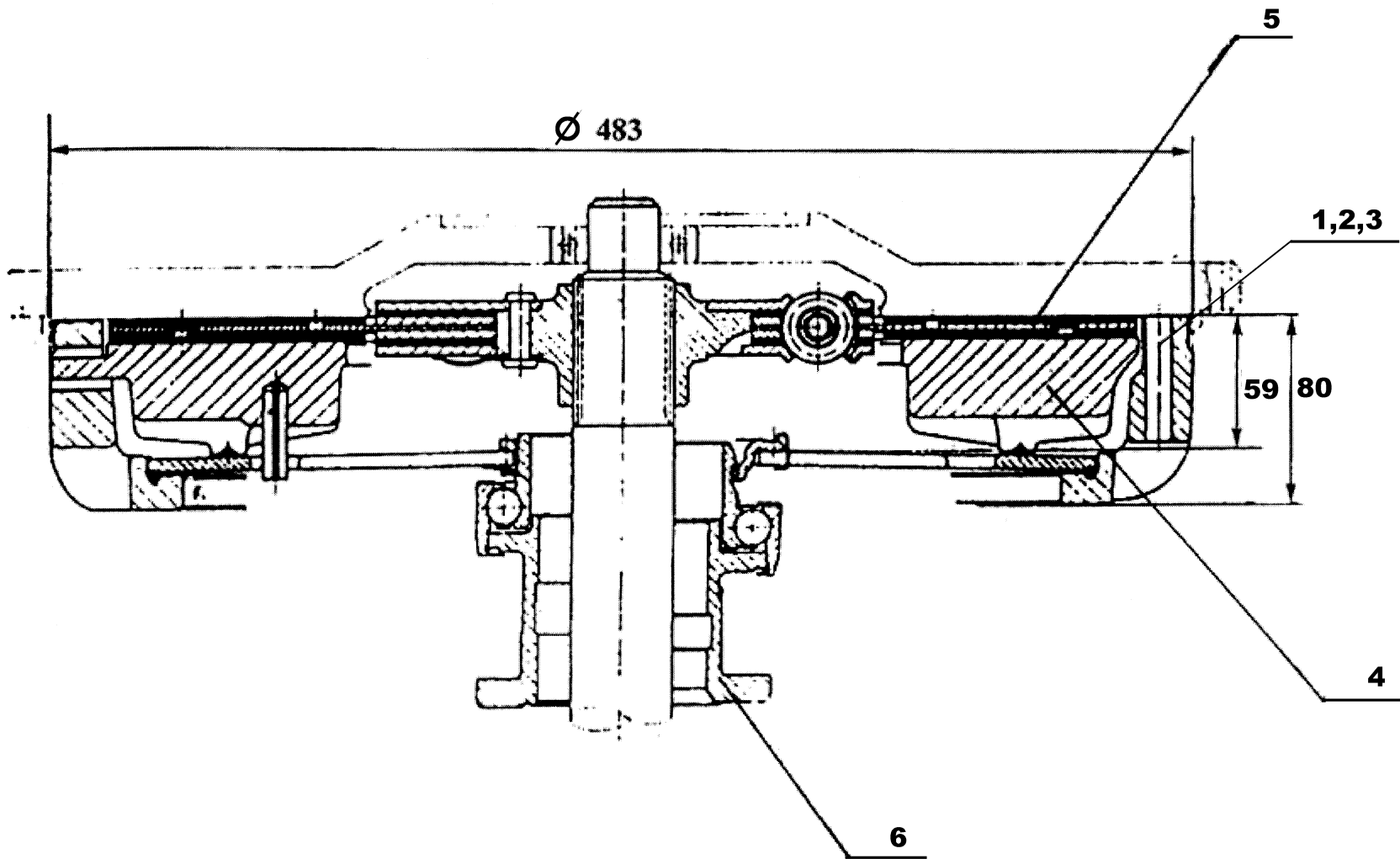


No	Number of part	Quantity	Description	Applicability	Designation	名称	Remark
1	614 150004	1			Gasket	密封圈	
2	61800150015	1			Oil pan	油底壳总成	
3	614 150046	12			Retainer	油底壳托块	
4	90003930261	12	A8.4 DIN125-SFA3C		Washer	平垫圈	
5	90003802442	12	M8×40 D00933		Hex. head screw	六角头螺栓	
6	90003098026	1			Gasket	密封圈	
7	90003960008	1			Thread plug	磁性螺塞总成	

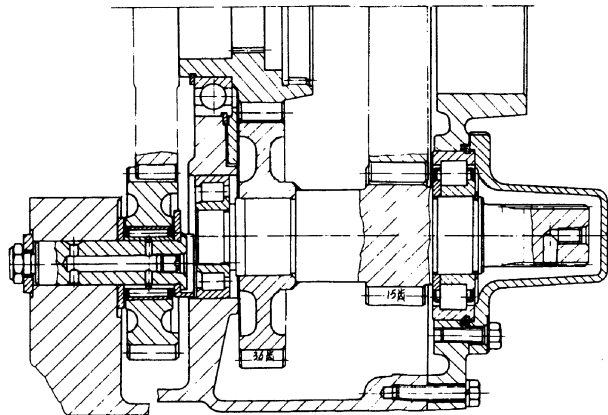
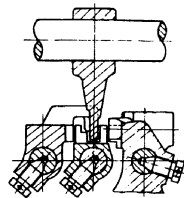
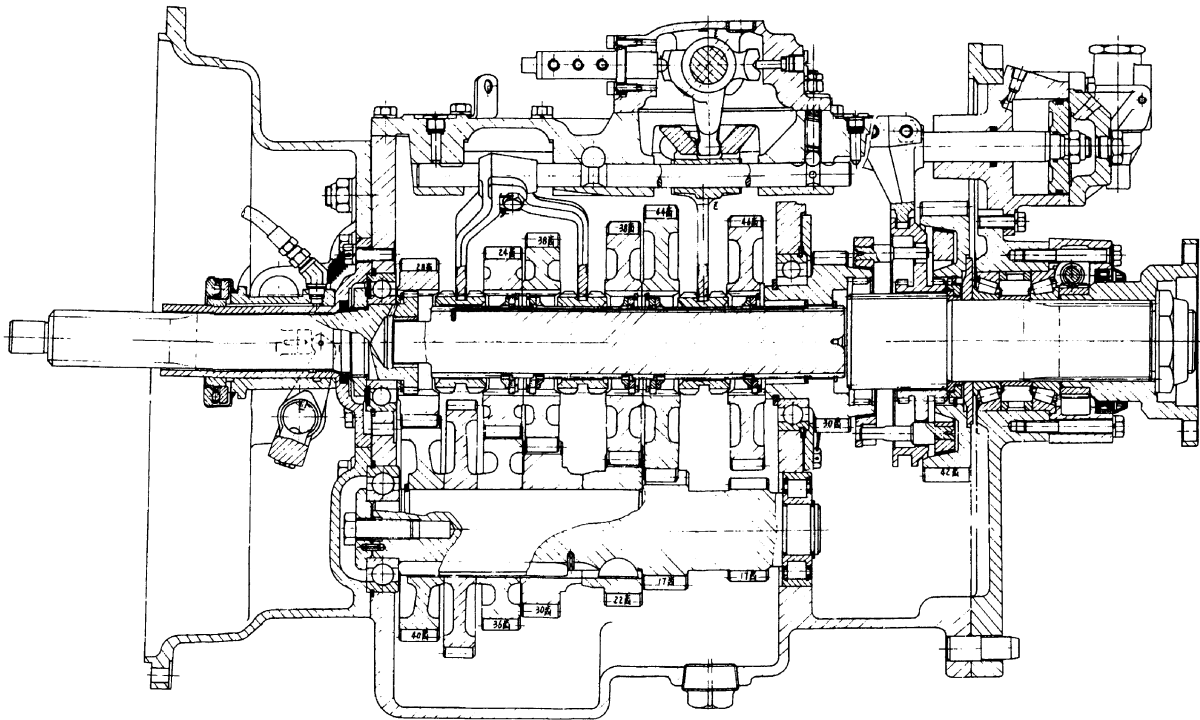


No	Number of part	Quantity	Description	Applicability		Designation	名称	Remark
				* 420X	420B			
-	EZ1560161090	1		✓		Platen C	压盘总成(含 1~16)	incl. 1~16
-	EZ1560160013	1			✓	Platen C	压盘总成(含 1~16)	incl. 1~16
1	EZ1560161093	1		✓	✓	Platen	压盘	
2	EZ1560161212	1		✓	✓	Thrust collar	推力环	
3	EZ1560161100	6		✓	✓	Plug	分离杠杆销	
4	EZ1560161119	6		✓	✓	Hex screw	六角螺栓	
5	EZ1560161112	6		✓	✓	Nut	调整螺栓	
6	EZ1560161113	6		✓	✓	Locker	锁片	
7	EZ1560161114	27			✓	Platen spring	压盘弹簧	
7a	EZ1560161116	9			✓	Platen spring	压盘弹簧	
7	EZ1560161115	12		✓		Platen spring	压盘弹簧	
7a	EZ1560161116	24		✓		Platen spring	压盘弹簧	
8	EZ1560161097	6		✓	✓	Spring disc	弹簧片	
9	EZ1560161081	3		✓	✓	Spring C	挂钩弹簧总成	
10	EZ1560161084	3		✓	✓	Release lever spring	分离杠杆弹簧	
11	EZ1560161096	6		✓	✓	Release lever C	分离杠杆总成	
12	EZ1560161114	6		✓	✓	Connecting pin	调整叉连接销	
13	EZ1560161108	6		✓	✓	Adjustment fork	分离杠杆调整叉	
14	Q43710	12		✓	✓	Washer	轴用钢丝挡圈	
15	EZ1560161117	6		✓	✓	Spring holder	弹簧座	
16	EZ1560161125	1		✓	✓	Clutch housing	离合器盖	
17	WG1560161130	1		✓	✓	Driven disc C	从动盘总成	

- \* 1. Φ420X Clutch for SIEYR WD615. 62/87 Engine  
2. Φ420B Clutch for SIEYR WD615. 69 Engine

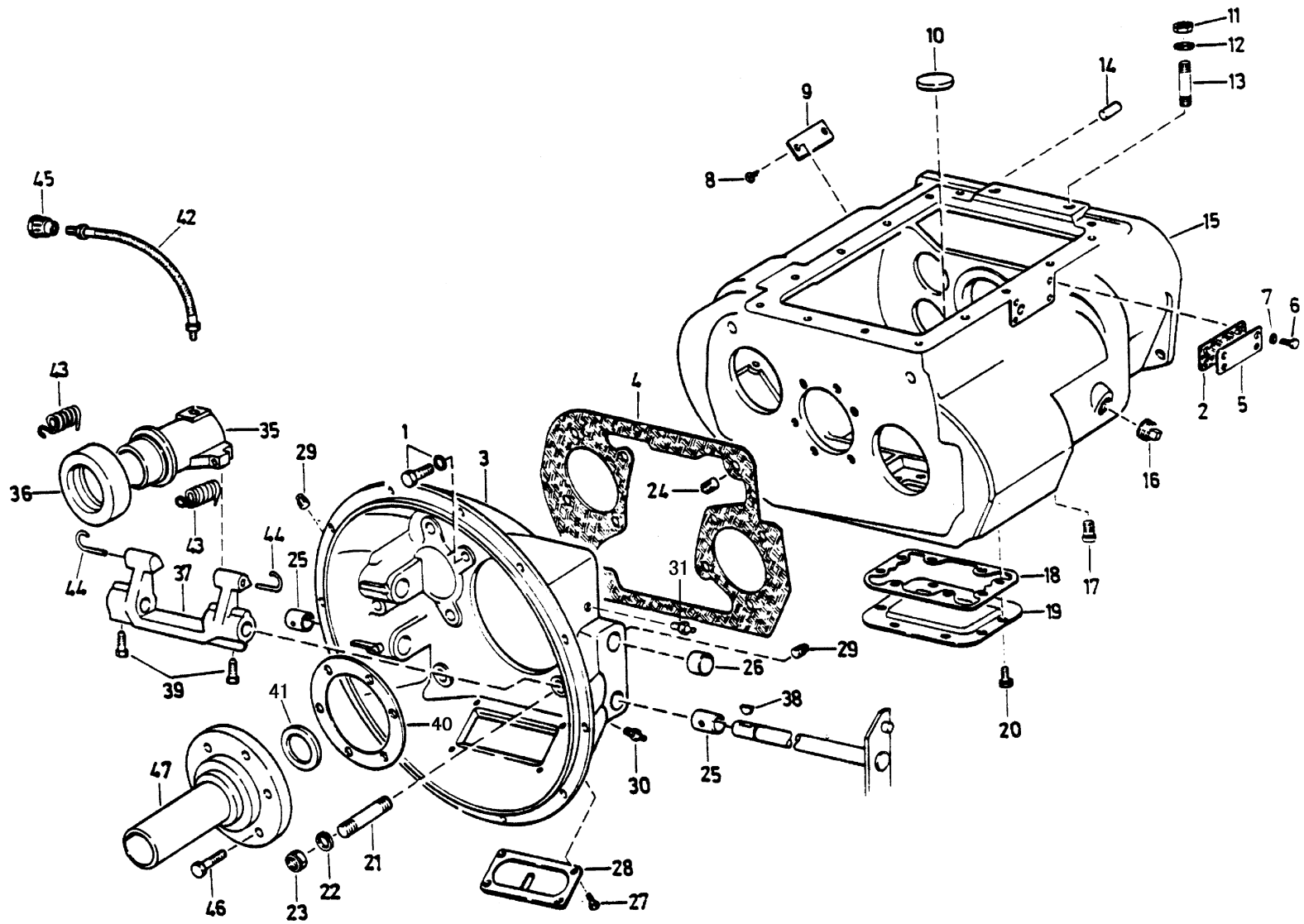


No	Number of part	Quantity	Description	Applicability	Designation	名称	Remark
1	Q12010401F2	12			Sud	双头螺栓(Q12010401F2-10.9级)	
2	Q40310	12			Spring washer	弹簧垫圈	
3	Q340B10	12			Hex. nut	六角螺母	
4	WG9114160010	1		WD013.47 WD018.82	Φ430 clutch with membrane to pull	430型膜片拉式离合器总成	
5	AZ9114160020	1			Driven disc C of Φ430 clutch	430型离合器从动盘总成	
6	AZ9114160030	1			Release bearing	分离轴承	





Nb	Type	Symbd	Input torque max. Nm)	Designation	名称	Remark
1	RT- 11509C	9C	1490	9- gear gearbox	9档变速器总成	
2	RT- 11609A	9A	1490	9- gear gearbox	9档变速器总成	
3	RT0- 11609B	9B	1490	9- gear gearbox with overdrive	带超速档9档变速器总成	
4	RT0- 11609E	9E	1490	9- gear gearbox with overdrive	带超速档9档变速器总成	
5	9JS150	9C	1500	9- gear gearbox with overdrive	带超速档9档变速器总成	
6	9JS180	9H	1800	9- gear gearbox	9档变速器总成	
7	9JS180A	9T	1800	9- gear gearbox with overdrive	带超速档9档变速器总成	
8	8JS100	8A	1000	8- gear gearbox	8档变速器总成	
9	8JS100T	8B	1000	8- gear synchromesh gearbox	带同步器8档变速器总成	
10	8JS100TA	8C	1000	8- gear synchromesh gearbox with overdrive	带超速档同步器8档变速器总成	
11	8JS130T	8D	1300	8- gear synchromesh gearbox	带同步器8档变速器总成	
12	8JS130TA	8E	1300	8- gear synchromesh gearbox with overdrive	带超速档同步器8档变速器总成	
13	8JS180T	8F	1800	8- gear synchromesh gearbox	带同步器8档变速器总成	
14	7JS100A	7A	1000	7- gear gearbox with overdrive	带超速档7档变速器总成	
15	7JS100	7B	1000	7- gear gearbox	7档变速器总成	



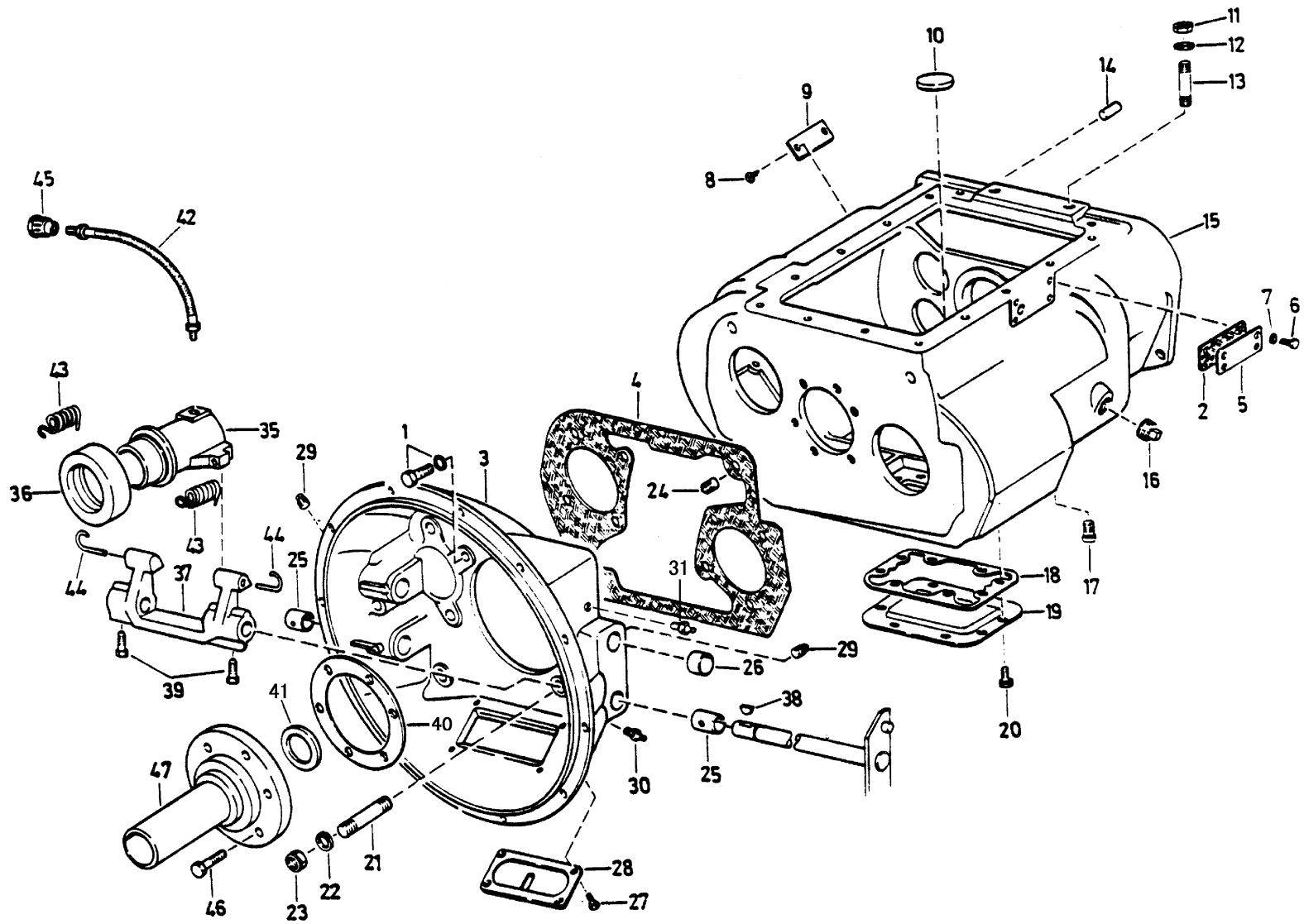
A4- 2

## Fuller CLUTCH HOUSING, GEARBOX HOUSING/ Fuller 离合器壳, 变速器壳

No	Number of part	Quantity	Description	Applicability	Designation	名称	Remark
2	19481	1			Joint	衬垫	
3	A- 3674	1		Incl. 15410	Clutch housing Q Inc. 25, 26	离合器壳体总成 含 25, 26, 15410	
3	JS180A- 1601015- 5	1		9A~ G for 371ps	Clutch housing C	离合器壳体总成	
3	15410	1			Clutch housing	离合器壳体	
3	JS180A- 1601015	1		9T	Clutch housing C	离合器壳体	
3	JS100- 1015- 1	1		9H	Clutch housing C	离合器壳体	
4	14310	1			Gasket	衬垫	
5	18420	1			Cover	盖板	
10	14373	3			O magnet	圆磁铁	
11	M16x 1.5	2	CB52- 76		Nut	螺母	
12	Q40316	2			Washer	垫圈	
13	Q1231630	2			Bolt	双头螺栓	
14	14334	2			Pin	定位销	
15	18686	1		9A~ 9T	Transmission housing	变速器壳体	
15	JS100- 1701015	1		7A, 7B, 8A~ F	Transmission housing	变速器壳体	
16	Q61412	1			Plug	注油孔螺塞	
17	Q61304	1			Plug	放油螺塞	
18	16920	1	(1/2)		Gasket	底取力窗口衬垫	
19	16595	1			Cover	底取力窗口盖	
19	JS130T- 1701020	1		8B~ F	Cover	底取力窗口盖	
20	M12x 22	8			Screw	螺钉	
21	Q1231642	6			Bolt	双头螺栓	
22	Q40316	6			Washer	垫圈	
23	M16x 1.5	6			Nut	螺母	
24	X- 14558	1			Plug	螺丝堵	
25	8677	2			Bush	轴套	

122

A4



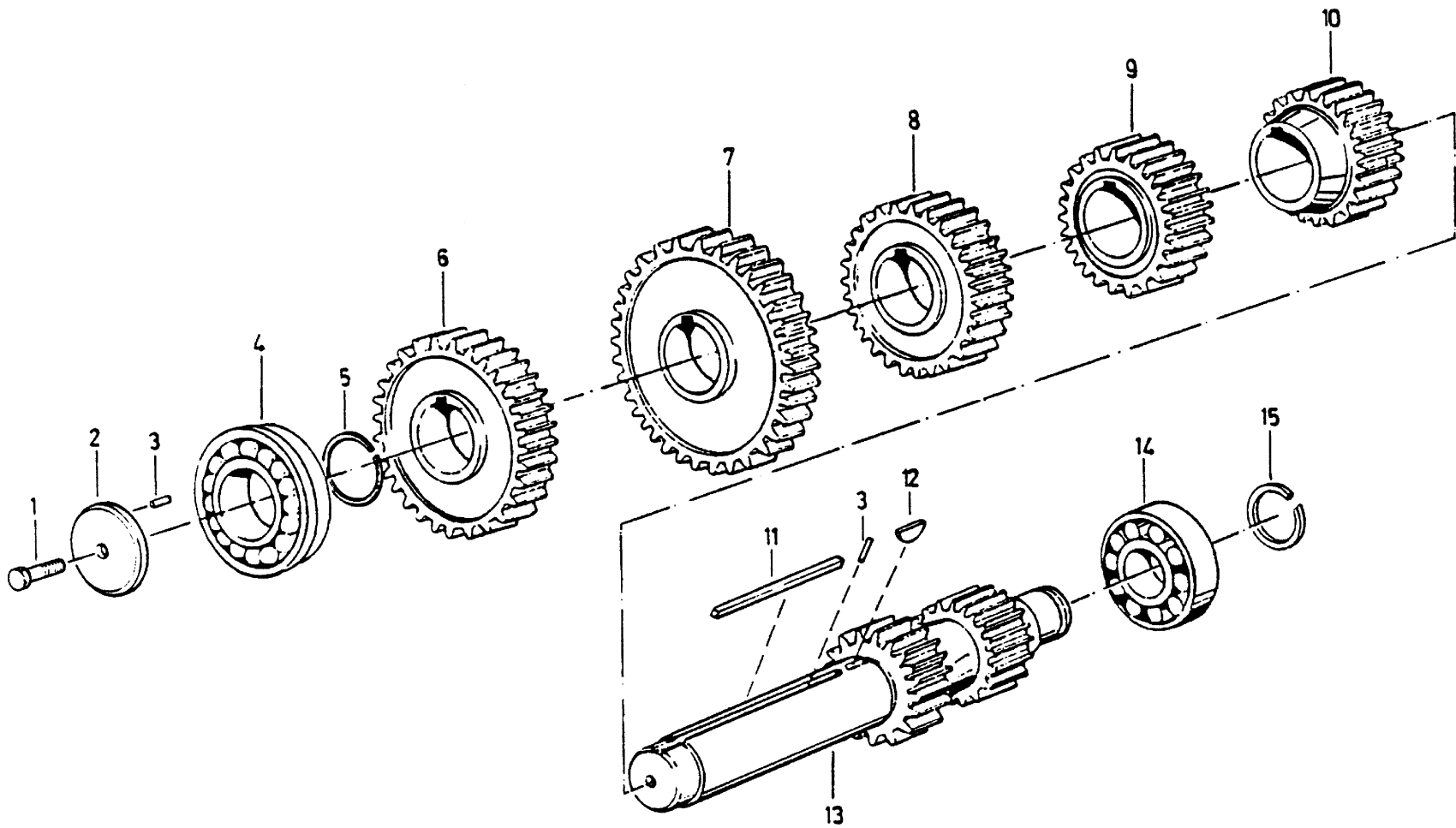
A4- 2

## Fuller CLUTCH HOUSING, GEARBOX HOUSING/ Fuller 离合器壳, 变速器壳

No	Number of part	Quantity	Description	Applicability	Designation	名称	Remark
26	16374	2			Plug	碗形塞片	
27	M8x 12	4			Screw	螺钉	
28	1565	1			Cover	检查孔盖	
29	Q16401	2	( 1/8 )		Plug	方头锥形螺塞	
30	Q70170	2	X- 10960		Grease nipple	黄油嘴	
31	Q70001	1			Grease nipple ( opt)	黄油嘴 选用	
35	11203	1			Release bearing holder	分离轴承座	
36	996914	1			Release bearing	分离轴承	
37	12817	1			Release fork	离合器分离叉	
38	X- 6- 11	1			Spring	半圆键	
39	X- 7- 603	2			Bolt	紧定螺栓	
40	14311	1			Joint	轴承盖衬垫	
41	F91410	1			Gasket	一轴轴承盖油封	
41	F500A- 1802191	1		9T	Gasket	一轴轴承盖油封	
42	51016	1			Hose	软管	
43	4425	2			Spring	弹簧	
44	9293	2			Spring	分离叉回位弹簧	
45	1/ 8	1	GB1154- 79		Grease cup	润滑油杯	
46	M10x 32	6			Bolt	螺栓	
47	F91409	1			Bearing seat	一轴轴承盖	
47	T116E- 1701040	1		9E	Bearing seat	一轴轴承盖	
47	JS180A - 1701040	1		9T	Bearing seat	一轴轴承盖	

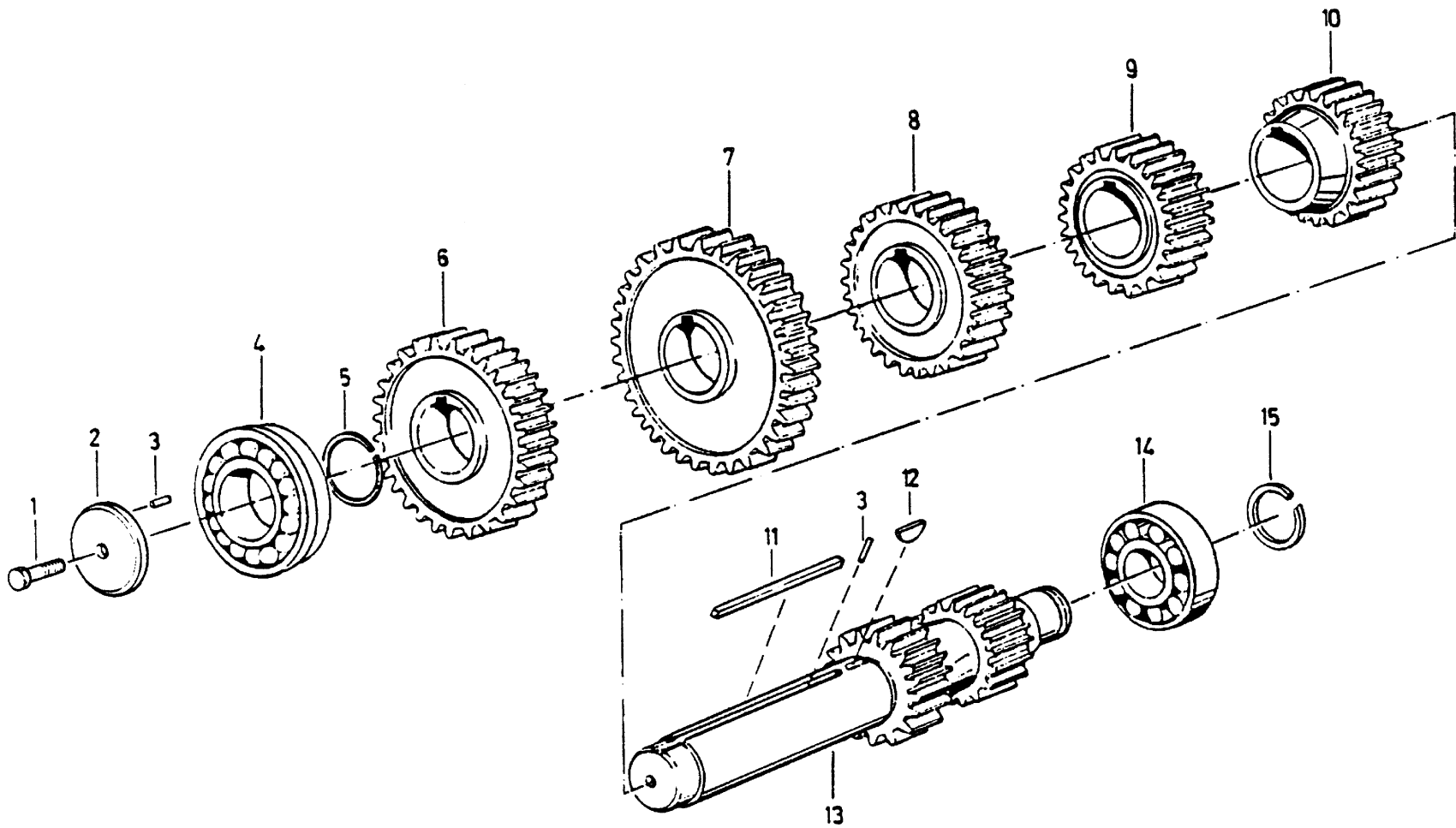
124

A4



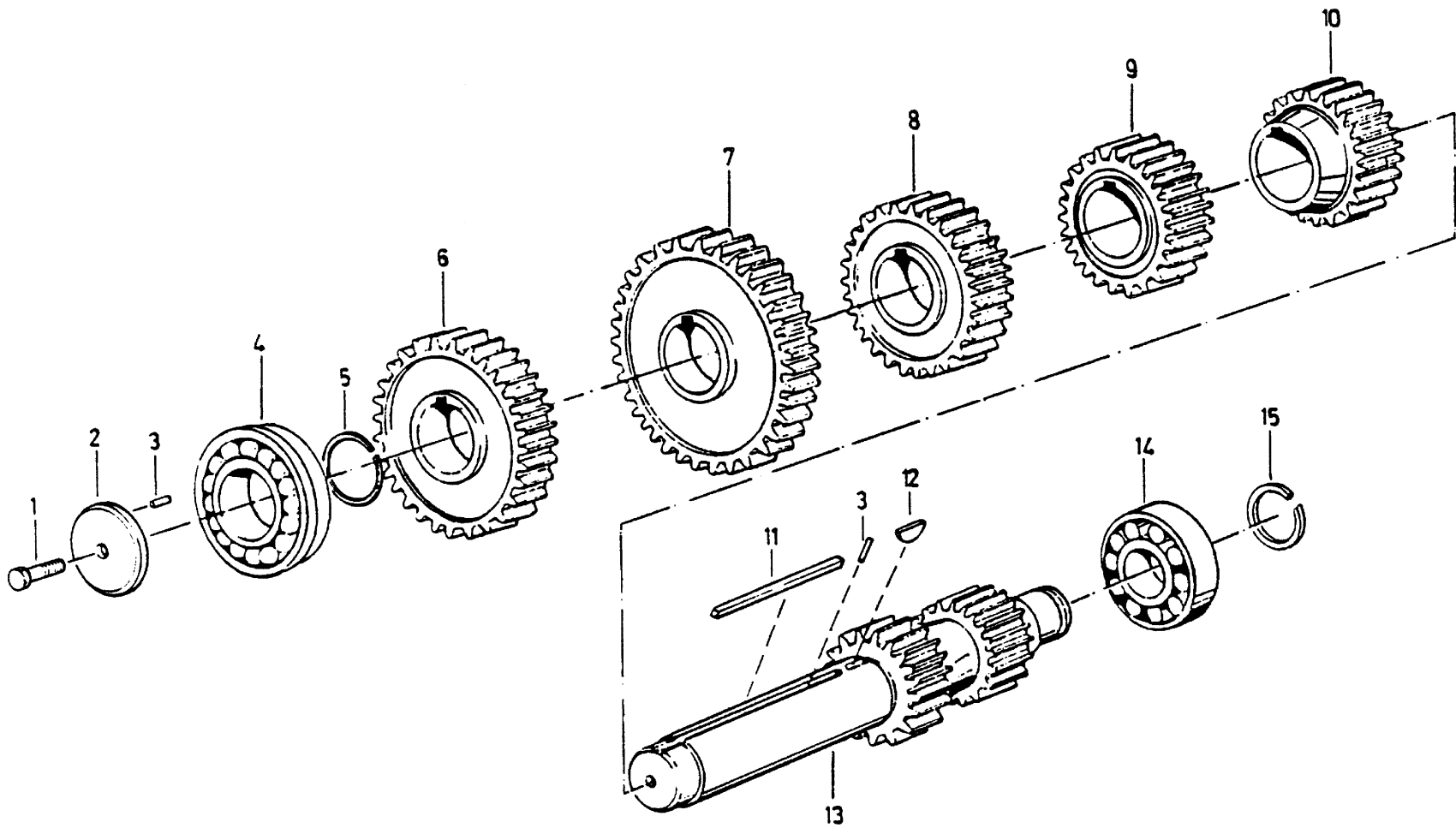
No	Number of part	Quantity	Description	Applicability	Designation	名称	Remark
1	M16x 1.5x 45	2			Bolt	螺栓	
2	19668	2			Retainer	挡板	
3	62511	4	5x 14		Flexibility roll pin	弹性圆柱销	
4	192309E	2		9C	Bearing	轴承	
4	370309Y	2			Bearing	轴承	
4	192309	2		9H, 9T	Bearing	轴承	
5	19198	2			Snap ring	挡圈	
6	19552	2			C/S driven gear	中间轴传动齿轮	
6	JS100- 170156	2		7B, 8A	C/S driven gear	中间轴传动齿轮	
6	19631	2		9B	C/S driven gear	中间轴传动齿轮	
6	JS100A- 1701056	2		7A	C/S driven gear	中间轴传动齿轮	
6	19615	2		9A	C/S driven gear	中间轴传动齿轮	
6	JS100T- 1701056	2		8B	C/S driven gear	中间轴传动齿轮	
6	T116E- 1701056	2		9E, 9T	C/S driven gear	中间轴传动齿轮	
6	JS130T- 1701056	2		8D	C/S driven gear	中间轴传动齿轮	
6	JS100TA- 1701056	2		8C	C/S driven gear	中间轴传动齿轮	
6	JS180T- 1701056	2		8F	C/S driven gear	中间轴传动齿轮	
6	JS150- 1701054	2		9C	C/S driven gear	中间轴传动齿轮	
7	15953	1			Left power take off gear	左取力齿轮	
7	20840	1			Right power take off gear	右取力齿轮	
8	16749	2			Gear C/S 3rd gear	中间轴第三档齿轮	
8	JS100A- 1701051	2		7A	Gear C/S 4th gear	中间轴第三档齿轮	
8	19243	2		9A	Gear C/S 3rd gear	中间轴第三档齿轮	
8	JS100- 1701051			7A, 7B, 8A	Gear C/S 3rd gear	中间轴第三档齿轮	
8	19639	2		9B	Gear C/S overdrive gear	中间轴超速档齿轮	

※ C/S: Counter shaft





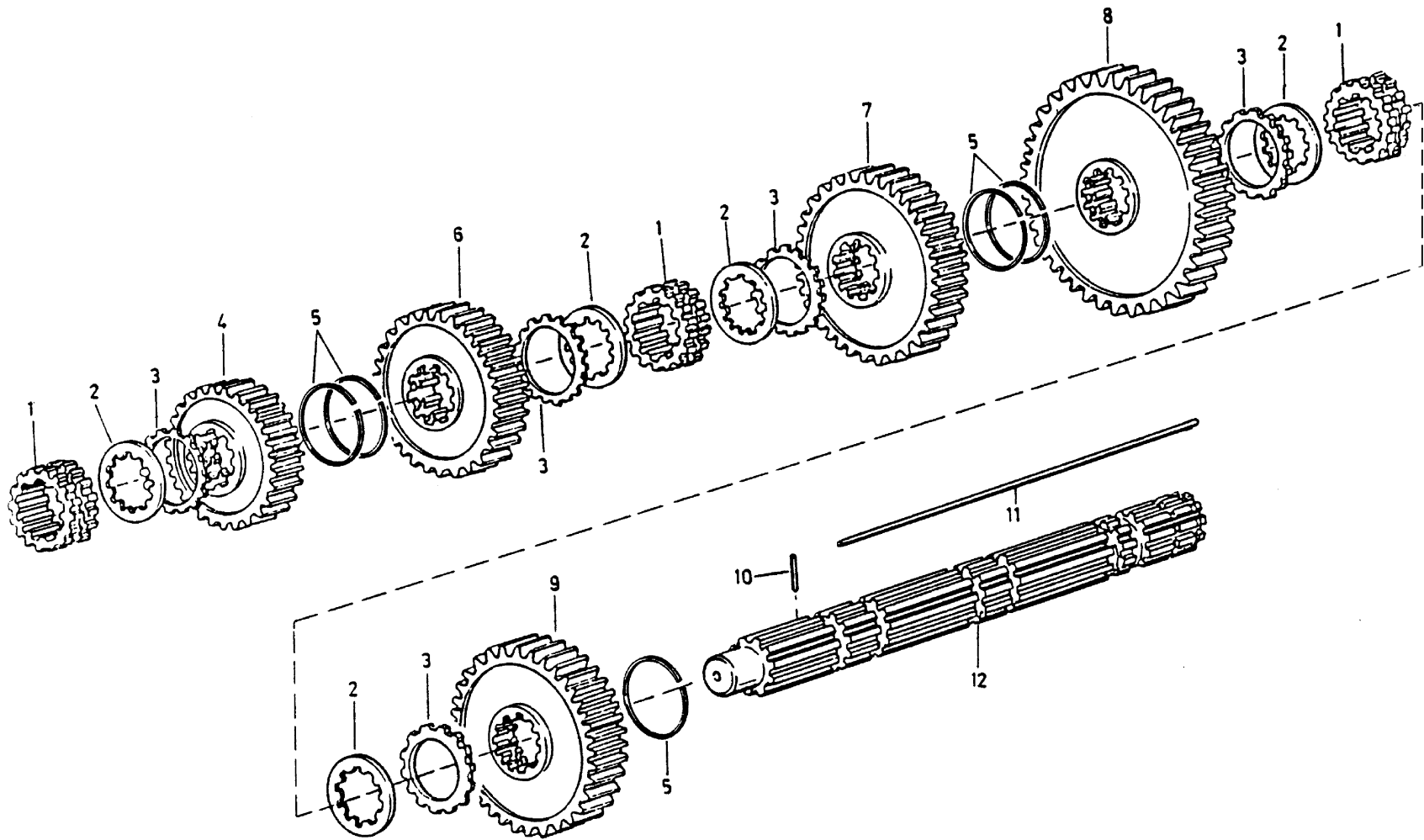
No	Number of part	Quantity	Description	Applicability	Designation	名称	Remark
8	T115F- 1701052	1		9E, 9T	Gear left C/S overdrive gear	中间轴超速档齿轮	
8	T115F- 1701052	2		9F	Gear C/S overdrive gear	中间轴超速档齿轮	
8	JS150- 1701053	2		9C	Gear C/S overdrive gear	中间轴超速档齿轮	
8	T116E- 1701053	1		9E, 9T	Gear right C/S overdrive gear	中间轴超速档齿轮	
8	JS130T- 1701051	2		8D	Gear C/S 3rd gear	中间轴第三档齿轮	
8	JS100TA- 1701051	2		8C	Gear C/S 4th gear	中间轴第四档齿轮	
8	JS130TA- 1701051	2		8E	Gear C/S 4th gear	中间轴第四档齿轮	
8	JS130TA- 1701056	2		8E, 8F	Gear C/S 3rd gear	中间轴第三档齿轮	
8	JS180T- 1701051	2		8F	Gear C/S 3rd gear	中间轴第三档齿轮	
9	16751	2			Gear C/S 2nd gear	中间轴第二档齿轮	
9	JS100T- 1701050	2		8B, 8C	Gear C/S 2nd gear	中间轴第二档齿轮	
9	19623	2		9B	Gear C/S 2nd gear	中间轴第二档齿轮	
9	JS130T- 1701050	2		8D, 8E	Gear C/S 2nd gear	中间轴第二档齿轮	
9	19615	2		9A	Gear C/S 2nd gear	中间轴第二档齿轮	
9	JS180T- 1701050	2		8F	Gear C/S 2nd gear	中间轴第二档齿轮	
9	JS150- 1701052	2		9C	Gear C/S 2nd gear	中间轴第二档齿轮	
10	19753	2			Gear C/S 1st gear	中间轴第一档齿轮	
10	19247	2		9A	Gear C/S 1st gear	中间轴第一档齿轮	
10	19629	2		9B	Gear C/S 1st gear	中间轴第一档齿轮	
10	JS100- 1701049	2		7A, 7B, 8A	Gear C/S 1st gear	中间轴第一档齿轮	
10	JS150- 1701051	2		9C	Gear C/S 1st gear	中间轴第一档齿轮	
11	19673	2			Cotter	中间轴四方键	
11	JS130T- 1701055	2		8B~ F	Cotter	中间轴四方键	
12	X- 6- E	2			Key	半圆键	
13	JS130T- 1701048	2		8B~ E	Countershaft	中间轴	
13	19549	2			Countershaft	中间轴	



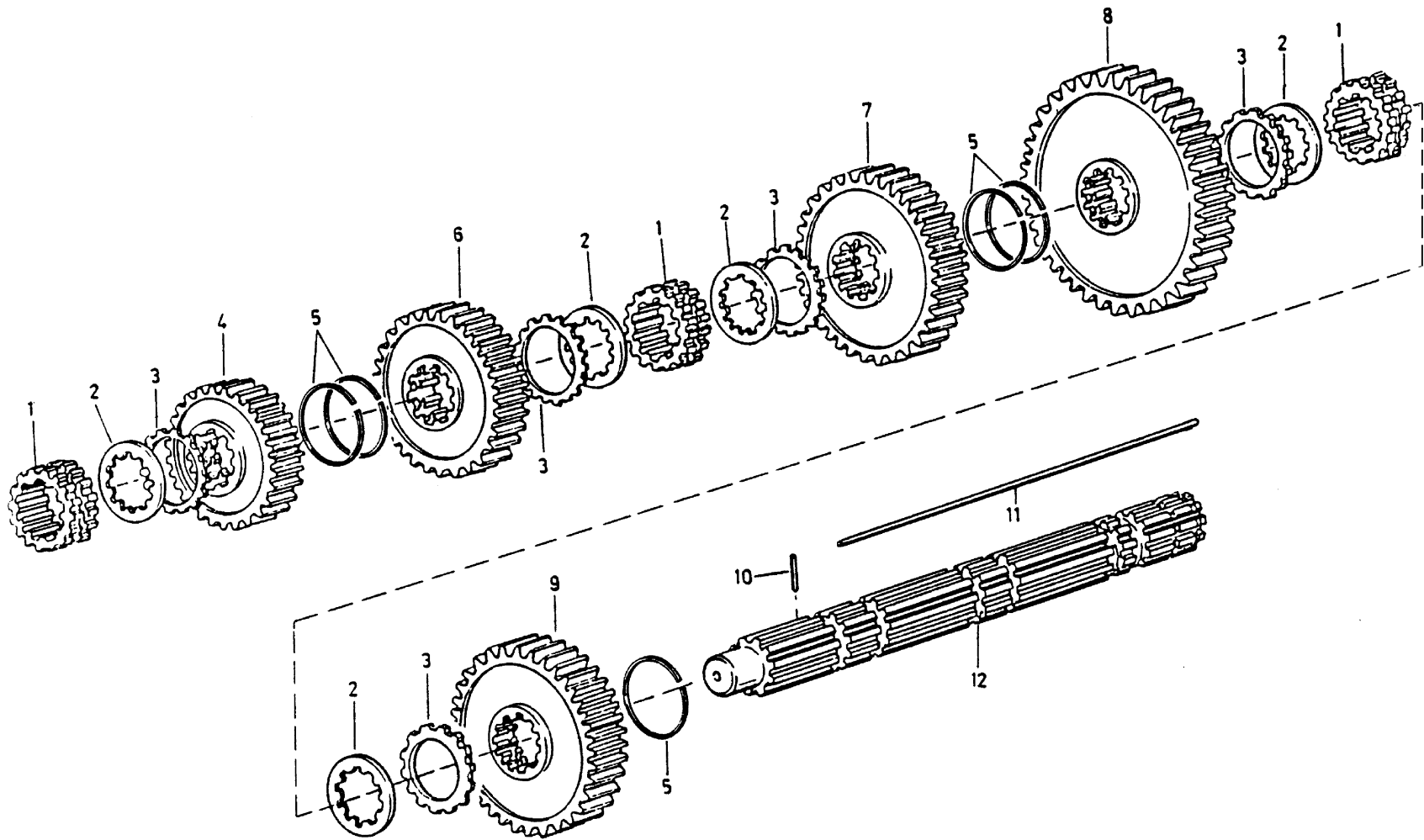
A4- 3

Fuller LAY SHAFT, WHEELS/ Fuller 中间轴及齿轮

No	Number of part	Quantity	Description	Applicability	Designation	名称	Remark
13	JS100- 1701048	2		7A, 7B, 8A	Countershaft	中间轴	
14	102308E	2			Bearing	轴承	
15	14317	2			Snap ring	挡圈	
15	C01021	2			Stop ring	(轴承) 止动环	



No	Number of part	Quantity	Description	Applicability	Designation	名称	Remark
1	16118	3			Sliding clutch	二轴滑套	* M/S: Main shaft
1	JS130T- 1701108	1		8B- F	Sliding clutch	二轴滑套	
2	18701	5			Washer	调整垫	
3	14749	5			Washer	二轴齿轮花键垫片	
3	JS100- 1701113	1		7A, 7B, 8A	Washer	二轴齿轮花键垫片	
4	16748	1			Gear M/ S 3rd gear	二轴三档齿轮	
4	JS100A- 1701131	1		7A	Gear M/ S 4th gear	二轴四档齿轮	
4	19242	1		9A	Gear M/ S 3rd gear	二轴三档齿轮	
4	JS100- 1701131	1		7B, 8A	Gear M/ S 3rd gear	二轴三档齿轮	
4	19638	1		9B	Gear M/ S overdrive gear	二轴超速档齿轮	
4	T 116E- 1701132	1		9E, 9T	Gear M/ S overdrive gear	二轴超速档齿轮	
4	JS150- 1701113	1		9C	Gear M/ S overdrive gear	二轴超速档齿轮	
4	JS100T- 1701131	1		8B	Gear M/ S 3rd gear	二轴三档齿轮	
4	JS100TA- 1701131	1		8C	Gear M/ S 4th gear	二轴四档齿轮	
4	JS130TA- 1701131	1		8E	Gear M/ S 4th gear	二轴四档齿轮	
4	JS180T- 1701131	1		8F	Gear M/ S 3rd gear	二轴三档齿轮	
5	14750	5			Locking ring	止动环	
6	16750	1			Gear M/ S 2nd gear	二轴二档齿轮	
6	JS100T- 1701130	1		8B, 8C	Gear M/ S 2nd gear	二轴二档齿轮	
6	19614	1		9A	Gear M/ S 2nd gear	二轴二档齿轮	
6	JS130T- 1701130	1		8D, 8E	Gear M/ S 2nd gear	二轴二档齿轮	
6	19622	1		9B	Gear M/ S 2nd gear	二轴二档齿轮	
6	JS180T- 1701130	1		8F	Gear M/ S 2nd gear	二轴二档齿轮	
6	JS150- 1701112	1		9C	Gear M/ S 2nd gear	二轴二档齿轮	
7	16752	1			Gear M/ S 1st gear	二轴一档齿轮	
7	JS100T- 1701112	1		8B, 8C	Gear M/ S 1st gear	二轴一档齿轮	



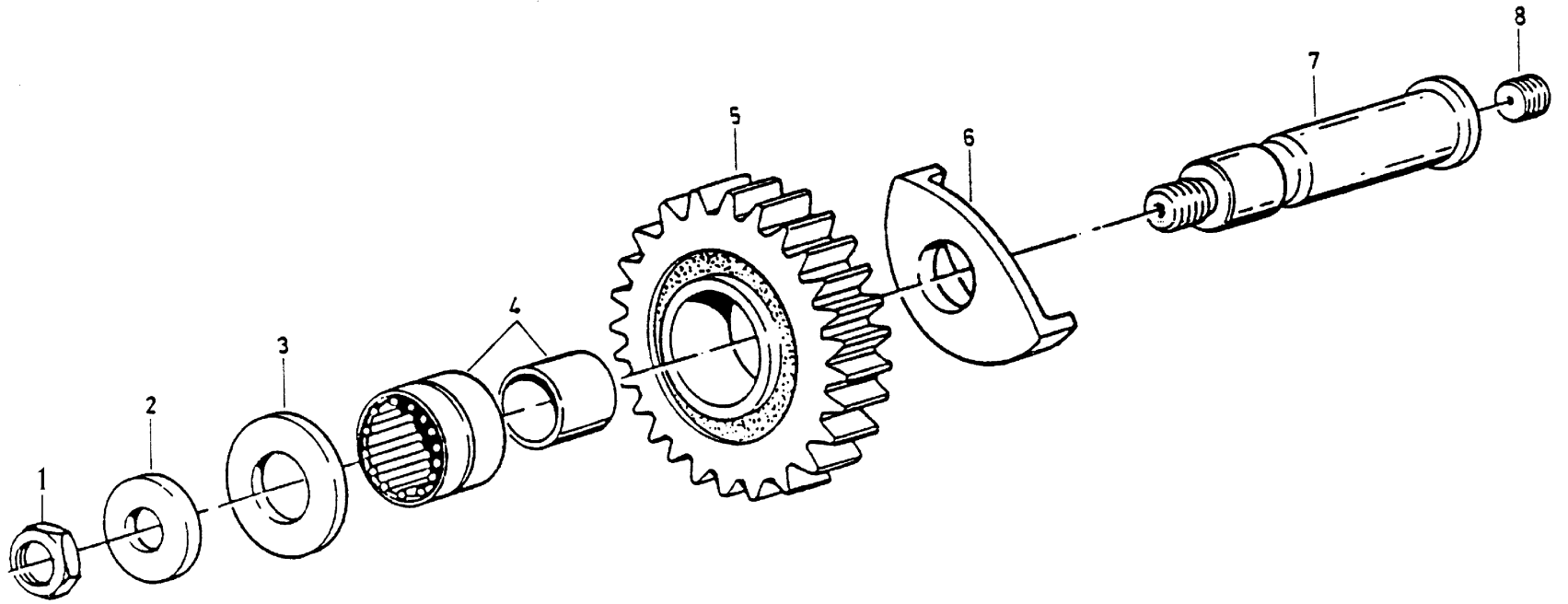
A4- 4

## Fuller MAIN SHAFT AND WHEELS/ Fuller 二轴, 啮合套及齿轮

Nb	Number of part	Quantity	Description	Applicability	Designation	名称	Remark
7	19246	1		9A	Gear M/S 1st gear	二轴一档齿轮	
7	JS130T- 1701112	1		8D, 8E	Gear M/S 1st gear	二轴一档齿轮	
7	19628	1		9B	Gear M/S 1st gear	二轴一档齿轮	
7	JS100- 1701112	1		7A, 7B, 8A	Gear M/S 1st gear	二轴一档齿轮	
7	JS180T- 1701112	1		8F	Gear M/S 1st gear	二轴一档齿轮	
7	JS150- 1701111	1		9C	Gear M/S 1st gear	二轴一档齿轮	
8	16754	1			Gear M/S LOW gear	二轴低档齿轮	
9	16756	1			Gear M/S reverse gear	二轴倒档齿轮	
9	JS100- 1701111	1		7A, 7B, 8A	Gear M/S reverse gear	二轴倒档齿轮	
9	JS180T- 1701111	1		8F	Gear M/S reverse gear	二轴倒档齿轮	
10	62504	1	3x 10		Flexibility roll pin	弹性圆柱销	
11	17109	1			Cotter	二轴六角键	
12	18729	1			Main shaft	二轴	
12	JS180- 1701105	1		9H, 9T	Main shaft	二轴	
12	JS130T- 1701105	1		8B~ E	Main shaft	二轴	
12	JS180T- 1701105	1		8F	Main shaft	二轴	

134

A4





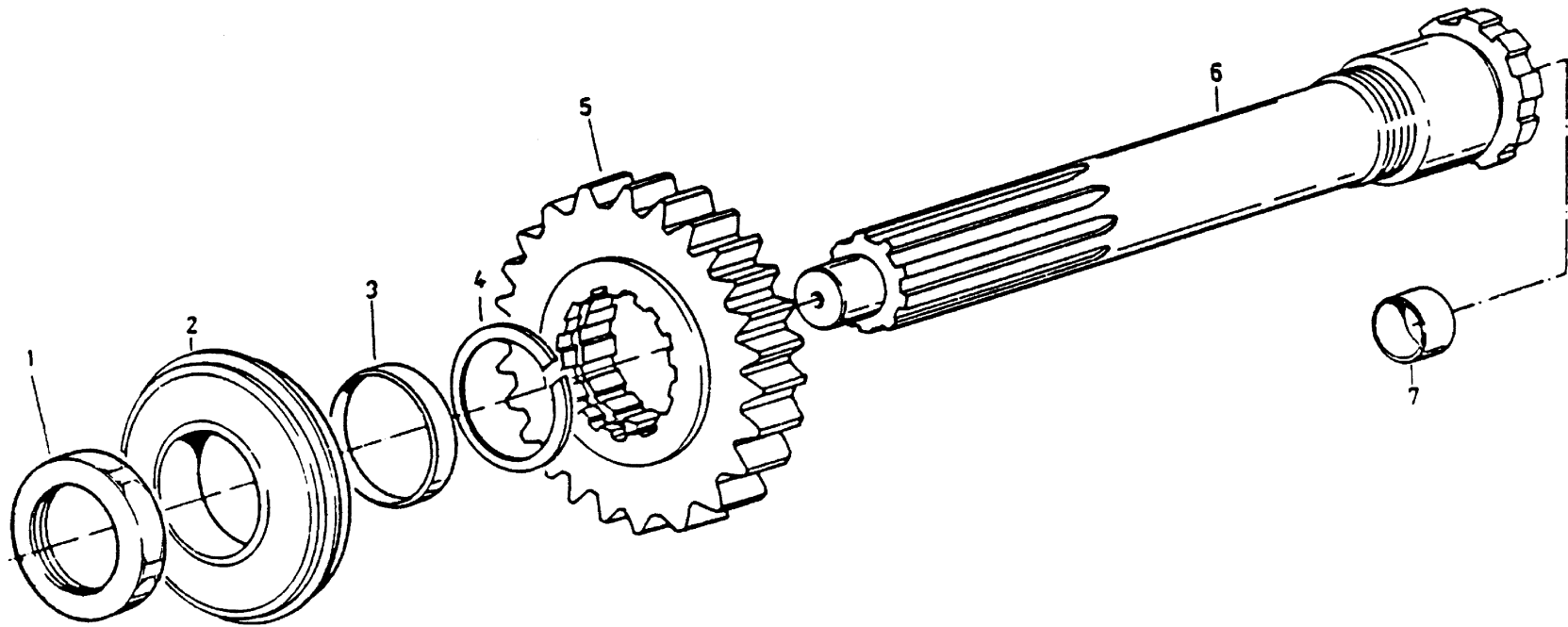
A4- 5

## Fuller REVERSE GEAR/Fuller 倒档轴及齿轮

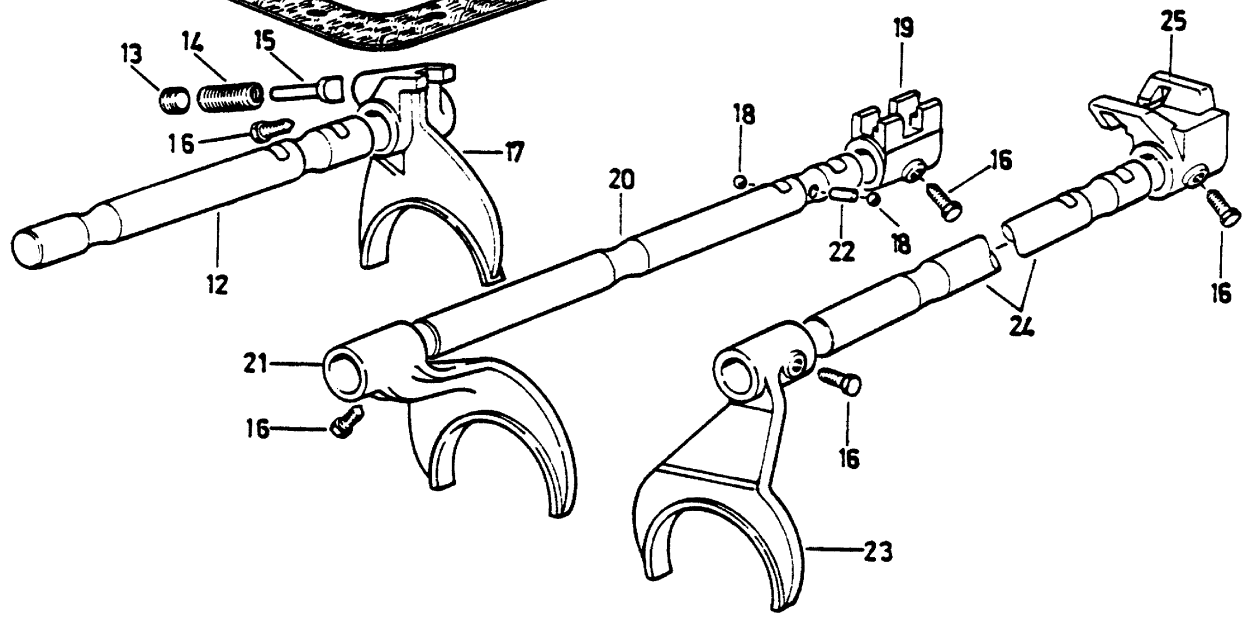
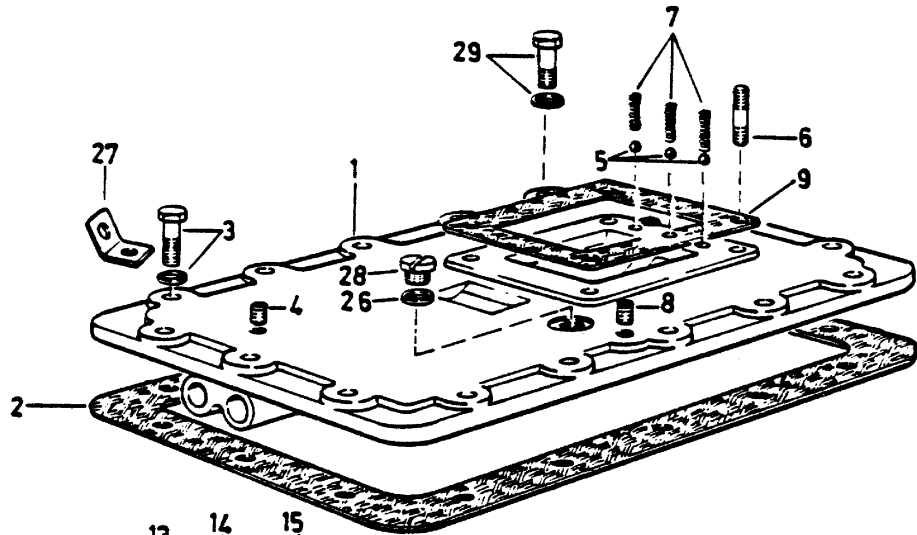
No	Number of part	Quantity	Description	Applicability	Designation	名称	Remark
1	X- 12440	2			Nut	螺母	
2	14283	2			Plate	平垫	
3	14282	2			Washer	倒档轴止推垫	
4	14287	2			Roller bearing	滚针轴承	
5	16757	2			Reverse gear idler	倒档中间齿轮	
5	JS100- 1701082	2		7A,7B,8A~ E	Reverse gear idler	倒档中间齿轮	
5	JS180T- 1701082	2		8F	Reverse gear idler	倒档中间齿轮	
6	16403	2			Washer	杯形倒档垫圈	
6	JS100- 1701083	2		7A,7B,8A~ F	Washer	杯形倒档垫圈	
7	16405	2			Reverse shaft	倒档中间轴	
8	5202	2			Screw	平端紧定螺钉	

136

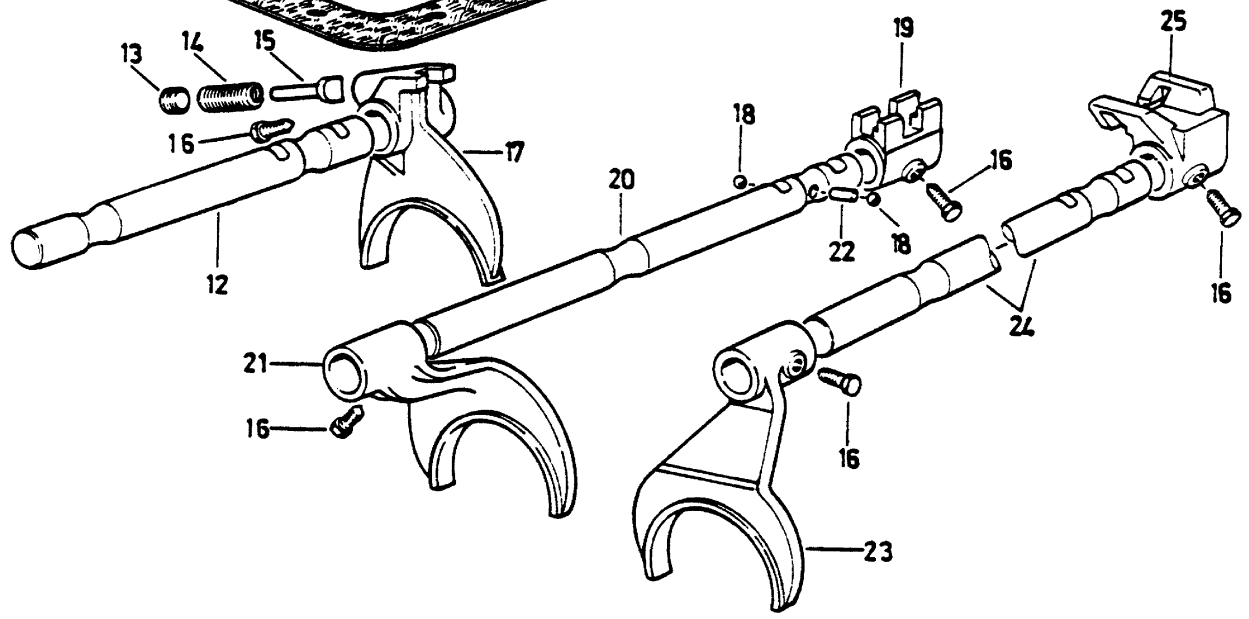
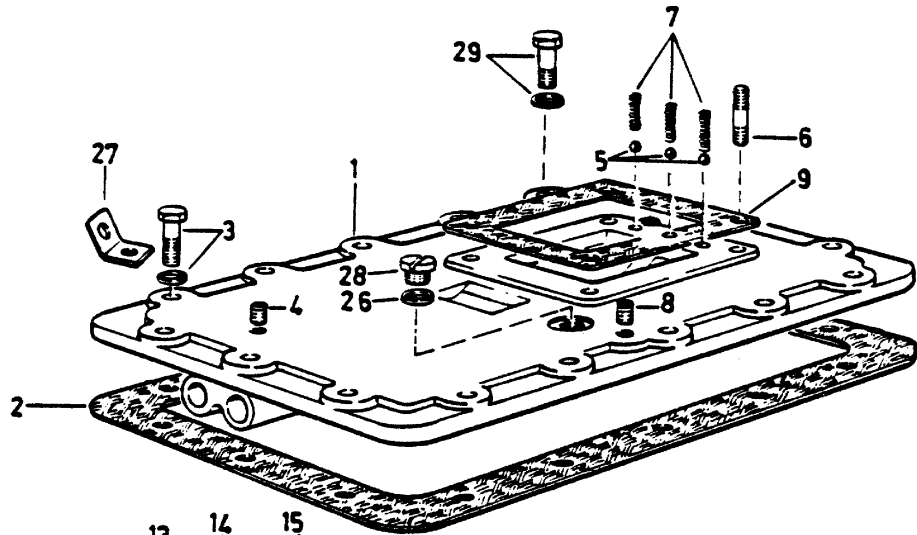
A4



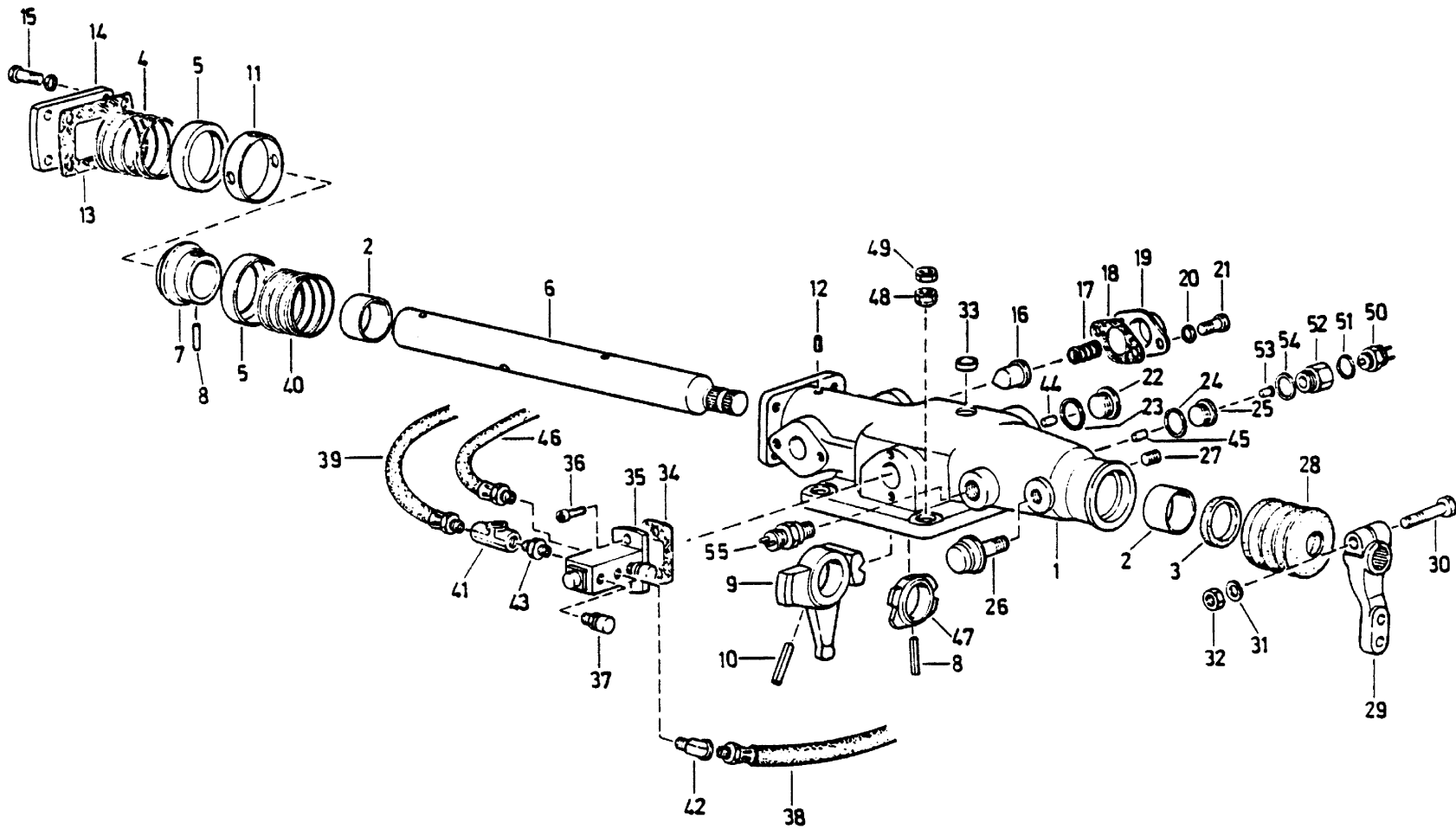
No	Number of part	Quantity	Description	Applicability	Designation	名称	Remark
1	8858	1			Nut	一轴螺母	
1	JS180A- 1701036	1		9T	Nut	一轴螺母	
2	150212K 81504	1			Bearing	轴承	
3	16463	1			Spacer	齿轮隔垫	
4	14750	1			Snap ring	止动环	
5	17568	1			Gear input shaft	一轴齿轮	
5	JS100- 1701031	1		7B, 8A	Gear input shaft	一轴齿轮	
5	19630	1		9A	Gear input shaft	一轴齿轮	
5	JS100A- 1701031	1		7A	Gear input shaft	一轴齿轮	
5	19239	1		9B	Gear input shaft	一轴齿轮	
5	JS100T- 1701031	1		8B	Gear input shaft	一轴齿轮	
5	T116E- 1701032	1		9E	Gear input shaft	一轴齿轮	
5	JS130T- 1701031	1		8D	Gear input shaft	一轴齿轮	
5	JS100TA- 1701031	1		8C	Gear input shaft	一轴齿轮	
5	JS130TA- 1701031	1		8E	Gear input shaft	一轴齿轮	
5	JS180T- 1701031	1		8F	Gear input shaft	一轴齿轮	
5	JS150- 1701030	1		9C	Gear input shaft	一轴齿轮	
6	19694	1			Input shaft	一轴	
6	JS180A- 1701030	1		9T	Input shaft	一轴	
6	T116E- 1701031	1		9E	Input shaft	一轴	
7	16566	1			Bushing	二轴导套	
7	C01021	2			Stop ring	(轴承) 止动环	



Nb	Number of part	Quantity	Description	Applicability	Designation	名称	Remark
	A- C02001	1		Incl. F99980	Cover C	上盖总成	
	JS130T- 1702010	1		8B, 8D	Cover C	上盖总成	
	JS130TA- 1702010	1		8C, 8E	Cover C	上盖总成	
1	JS130T- 1702015	1			Cover	上盖	
1	F99980	1			Cover	上盖	
1	JS100A- 1702015	1		7A, 8C, 8E	Cover	上盖	
2	14918	1			Gasket	衬垫	
3	M10x 35	2			Screw	螺栓	
3	Q40310	16			Spring washer	弹簧垫圈	
4	Q61303	1			Plug	方槽锥形螺塞	
5	V 2'	3	CB308- 84		Steel ball	钢球	
6	11066	4			Bolt	双头螺栓	
7	F96085	2			Spring	弹簧	
7	F96084	1			Spring	弹簧	
8	Q61032	1			Plug	方槽锥形螺塞	
9	1642	1			Gasket	衬垫	
12	16132	1			Yoke shaft	低倒档拨叉轴	
12	JS100A- 1702064	1		7A, 8C, 8E	Yoke shaft	低倒档拨叉轴	
13	8968	1			Plug	倒档锁螺塞	
14	8774	1			Spring	倒档锁弹簧	
15	F99671	1			Plug	倒档锁柱塞	
16	3220	5			Screw	锁止螺钉	
17	99664	1			Shift yoke	低倒档拨叉	
18	3' 4'	2	CB308- 84		Steel ball	互锁钢球	
19	F99588	1			Shift block V2 gear	V2 档导块	
19	JS100A- 1702054	1		7A, 8C, 8E	Shift block V2 gear	V2 档导块	

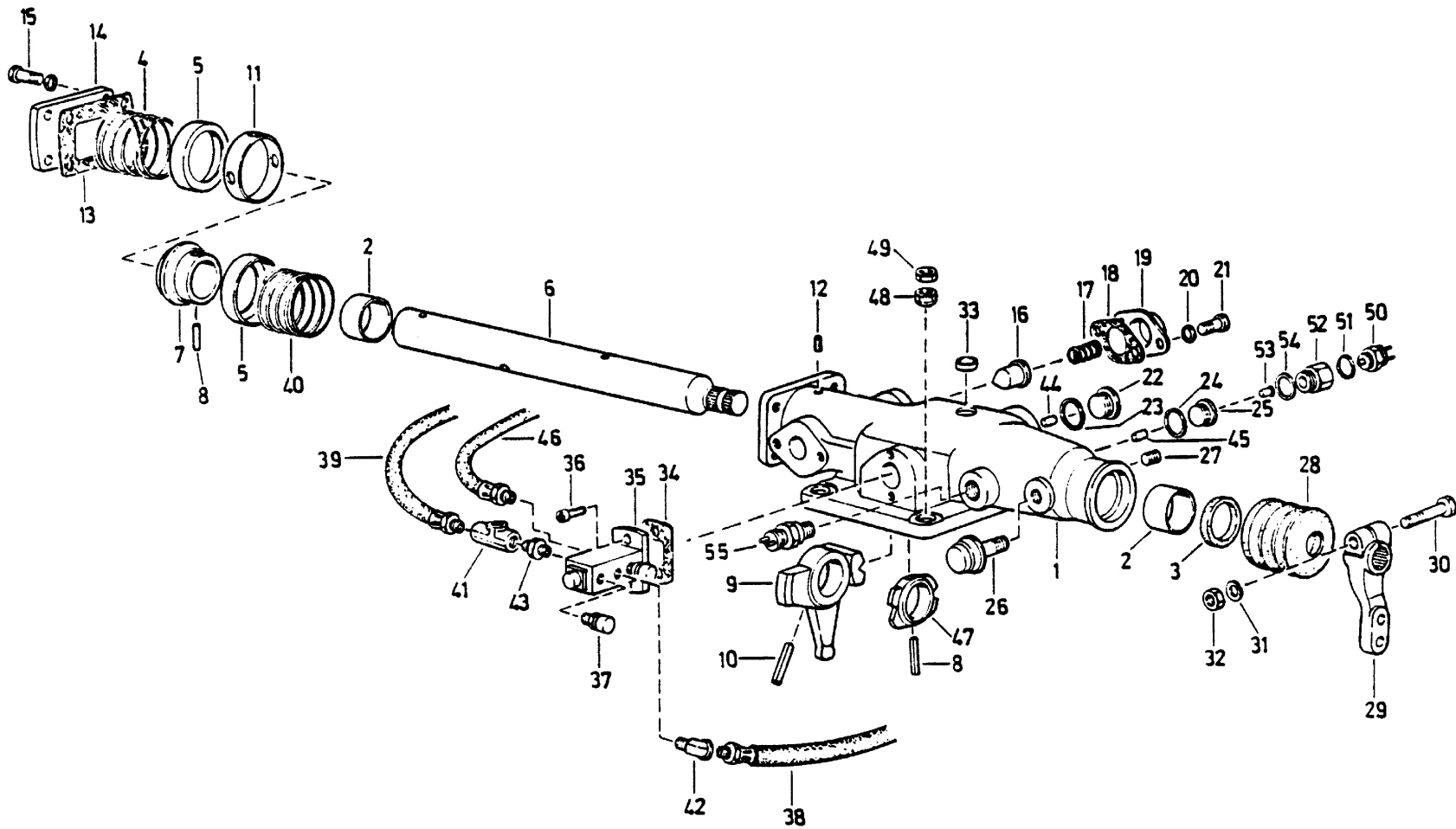


Nb	Number of part	Quantity	Description	Applicability	Designation	名称	Remark
20	16133	1			Yoke shaft 1/2 gear	1/2 档拨叉轴	
20	JS100A- 1702065	1		7A	Yoke shaft 1/2 gear	1/2 档拨叉轴	
20	JS130T- 1702065	1		8B, 8D, 8F	Shift yoke 1/2 gear	1/2 档拨叉	
20	JS130TA- 1702065	1		8C, 8E	Shaft	1/2 档拨叉轴	
21	16135	1			Shaft	1/2 档拨叉轴	
21	JS130T- 1702055	1		8B, 8D, 8F	Yoke shaft 1/2 gear	1/2 档拨叉	
21	JS100A- 1702055	1		7A	Yoke shaft 1/2 gear	1/2 档拨叉	
21	JS130TA- 1702055	1		8C, 8E	Yoke shaft 1/2 gear	1/2 档拨叉	
22	1634	1			Locking pin	互锁销	
23	16136	1			Yoke shaft 3/4 gear	3/4 档拨叉	
23	JS100A- 1702056	1		7A	Yoke shaft 3/4 gear	3/4 档拨叉	
23	JS130T- 1702056	1		8B, 8D, 8F	Yoke shaft 3/4 gear	3/4 档拨叉	
23	JS130TA- 1702056	1		8C, 8F	Yoke shaft 3/4 gear	3/4 档拨叉	
24	18643	1			Yoke shaft 3/4 gear	3/4 档拨叉轴	
24	JS130T- 1702066	1		8B, 8D, 8F	Yoke shaft 3/4 gear	3/4 档拨叉轴	
24	JS130TA- 1702066	1		8C	Yoke shaft 3/4 gear	3/4 档拨叉轴	
25	F99589	1			Shift block 3/4 gear	3/4 档导块	
25	JS100A- 1702053	1		7A, 8C, 8F	Shift block 3/4 gear	3/4 档导块	
26	17179	1			Gasket	衬垫	
27	17105	2			Lifting eye	吊环	
28	17178	1			Plug	螺塞	
29	M10× 32	14			Screw	螺栓	
29	X- 6- 01	4	M10× 1		Nut	扁螺母	
29	X- 6- 03	4	M10× 1		Nut	螺母 厚 24	

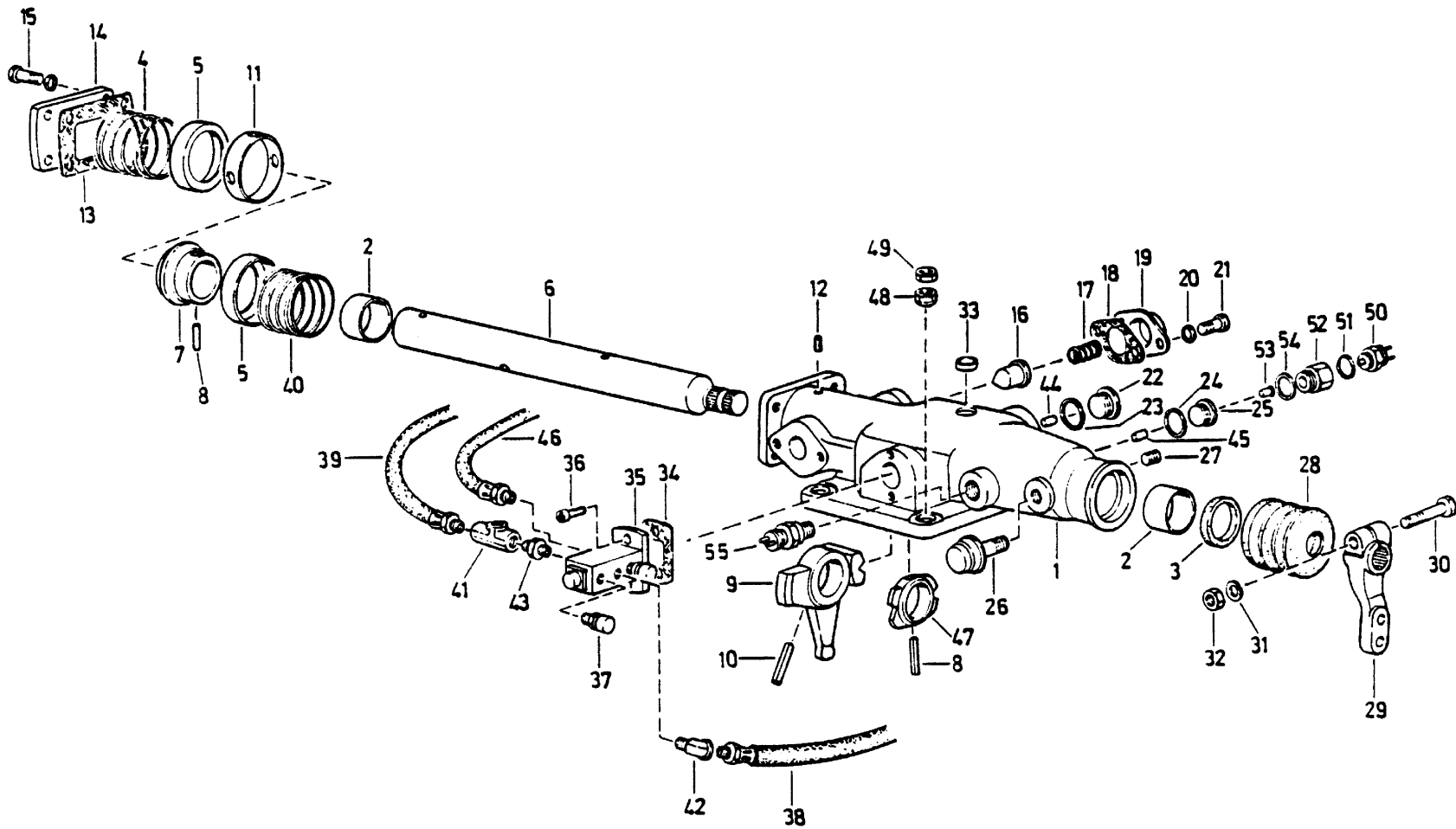




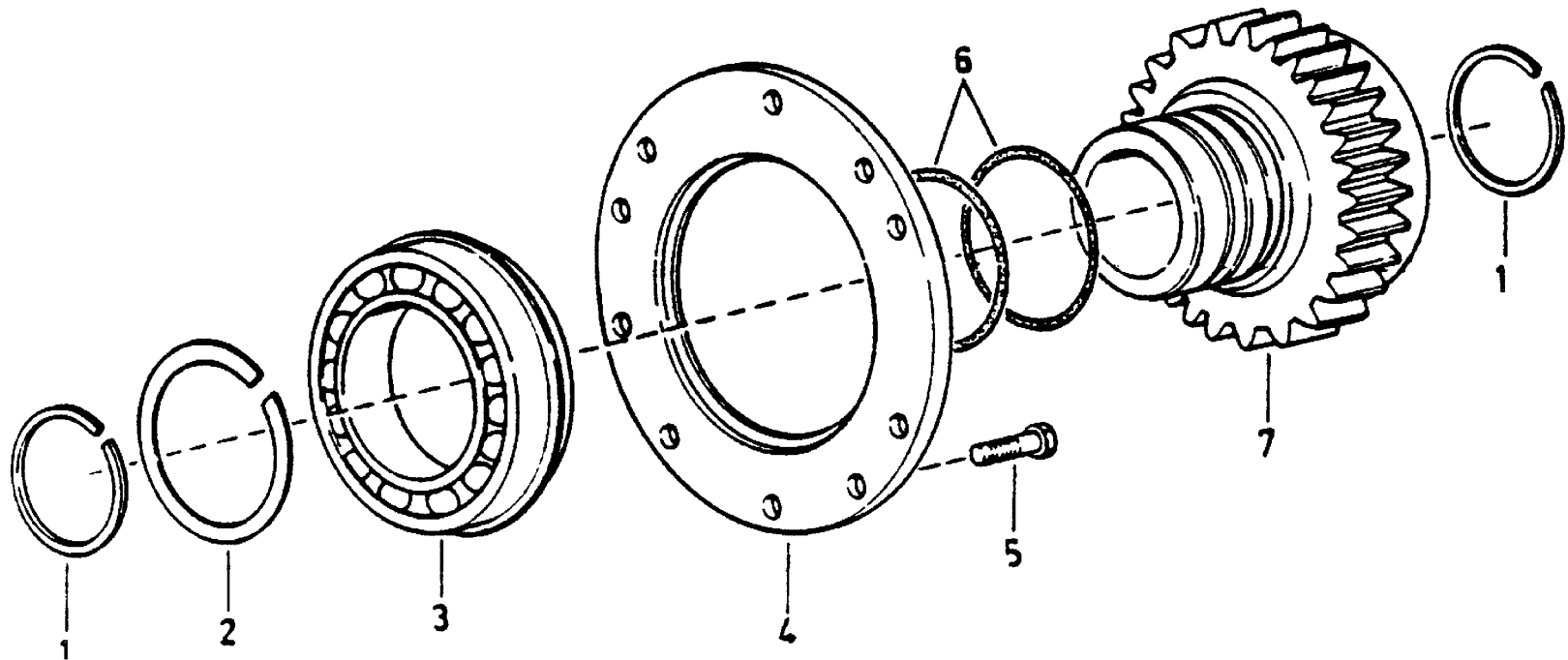
NO	Number of part	Quantity	Description	Applicability	Designation	名称	Remark
	A- C03001	1		9A~ T, 8B~ F	Double H operation C	双 H 操纵装置总成	
	A- C03001- 1	1		7A, 7B, 8A	Double H operation C	双 H 操纵装置总成	
1	F96194	1		9A~ T, 8B~ F	Housing	壳体	
1	JS100- 1702051	1		7A, 7B, 8A	Housing	壳体	
2	F91345	2			Sliding bearing	衬套	
3	F91444	1			Oil seal	油封	
4	F99983	1			Spring	弹簧	
5	F99673	2			Spring seat	弹簧座	
6	F99679	1			Gear shift shaft	横向换档杆	
6	JS100- 1702017	1		7A, 7B, 8A	Gear shift shaft	横向换档杆	
7	F99675	1			Stop ring	定位环	
8	Q5000635	2	6x 35		Flexibility column pin	弹性圆柱销	
9	F99585	1			Plug	拔头	
9	JS100A- 1702072	1		7A, 8C, 8E	Plug	拔头	
10	C03030	1	10x 50		Pin	圆柱销	
10	JA100A- 1702073	1		7A, 8C	Pin	销	
11	F99674	1			Washer	弹簧隔圈	
12	C03004	1			Screw	止推螺钉	
13	F99672	1			Gasket	衬垫	
14	F99666	1			Board	侧板	
15	M8x 12	4			Screw	螺钉	
16	F99670	2			Plug	定位柱塞	
17	F96037	2			Spring	压缩弹簧	
18	F96140	2			Gasket	衬垫	
19	F96141	2			Cover	弹簧压盖	
20	M8x 12	4			Bolt	螺栓	
21	Q40108	4			Washer	垫圈	



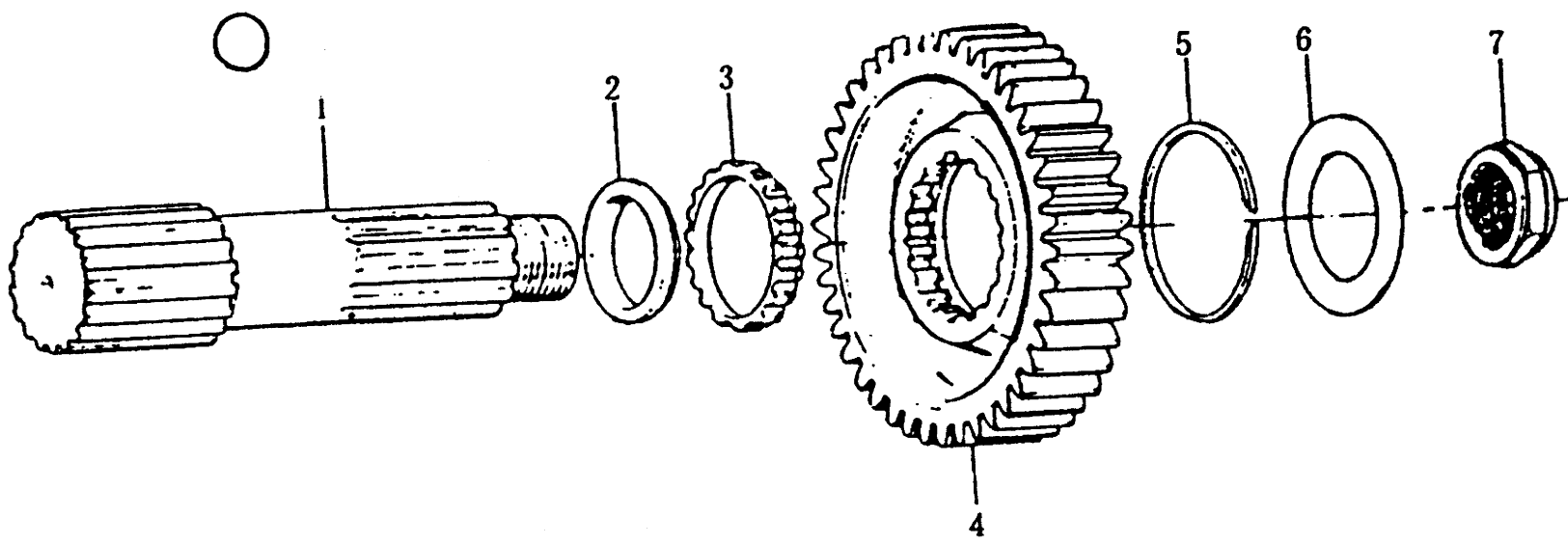
No	Number of part	Quantity	Description	Applicability	Designation	名称	Remark
22	Q61518	1			Plug	螺塞	
22	99012710041	1			Switch	空档开关	
23	17179	1			Gasket	衬垫	
24	15900	2			Gasket	衬垫	
25	15917	2			Plug	倒档开关孔口螺塞	
26	15276	1			Plug	通气塞	
27	Q61302	1			Plug	方槽锥形螺塞	
28	F99669	1			Cover	防尘罩	
29	F96035	1			LRC shift pole	LRC 换档臂	
30	M10x 1x 50	1			Bolt	螺栓	
31	Q40310	1	GB308- 84		Washer	弹簧垫圈	
32	M10x 1	1			Screw	螺母	
33	Q72224	1			Plug	碗形塞片	
34	F91353	1			Joint	衬垫	
35	F99660	1			Double H valve	双 H 气阀	
36	M6x 18	2			Screw	内六角螺钉	
37	7935	2			Plug	通气塞	
38	55518	1			Pipe	气管	
39	55522	1			Pipe	气管	
40	F96036	1			Spring	弹簧	
41	12881	1			Nozzle	三通管接头	
42	12880	1			Joint	45°弯管接头	
43	12769	1			Joint	外螺纹管接头	
44	F99702	1	GB308- 84		Pin	空档开关柱销	
45	15899	2			Pin	开关起动销	
46	55523	1			Pipe	气管(接高档)	



Nb	Number of part	Quantity	Description	Applicability	Designation	名称	Remark
47	F99681	1		7A, 7B, 8A	Control block for reverse switch	倒档开关控制块	
47	JS100- 1702052	1			Control block for reverse switch	倒档开关控制块	
47a	JS100- 1703012	1		7A, 7B, 8A	Pin	限位销	
48	M10x 1	1			Nut	螺母(厚)	
49	M10x 1	4			Nut	螺母(扁)	
50	79100710068	1			Reverse switch	倒档开关	
51	C03015	1			Gasket	密封垫	
52	15917	1			Plug	倒档开关孔口螺塞	
54	C03015	1			Gasket	密封垫	

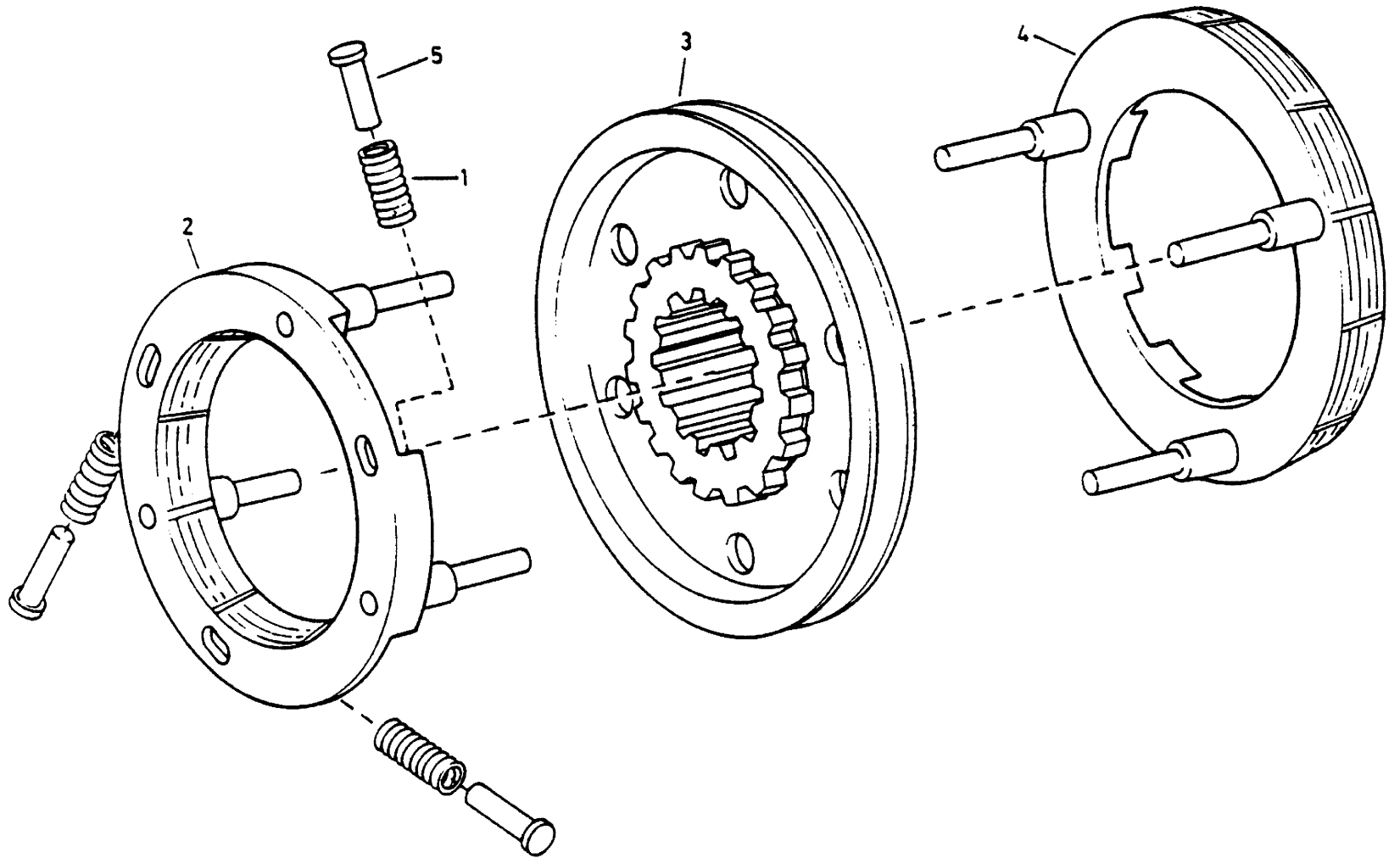


No	Number of part	Quantity	Description	Applicability	Designation	名称	Remark
	A- C09002			9A~ T	Drive gear housing C	副箱驱动齿轮总成	
	JS180T- 1707025			8F	Drive gear housing C	副箱驱动齿轮总成	
1	16763	2			Snap ring	止动环	
2	16628	1			Snap ring	止动环	
3	50118	1			Bearing	轴承	
3	C01019	1			Locking ring	(轴承) 止动环	
4	16138	1			Retainer	副箱轴承定位盘	
5	M 10x 22	6			Screw	螺钉 (带孔)	
7	18869	1			Drive gear	副箱驱动齿轮	
7	19254	1		9A	Drive gear	副箱驱动齿轮	
7	19275	1		9B	Drive gear	副箱驱动齿轮	
7	JS180- 1707030	1		9H, 9T	Drive gear	副箱驱动齿轮	
7	JS180T- 1707030	1		8F	Drive gear	副箱驱动齿轮	





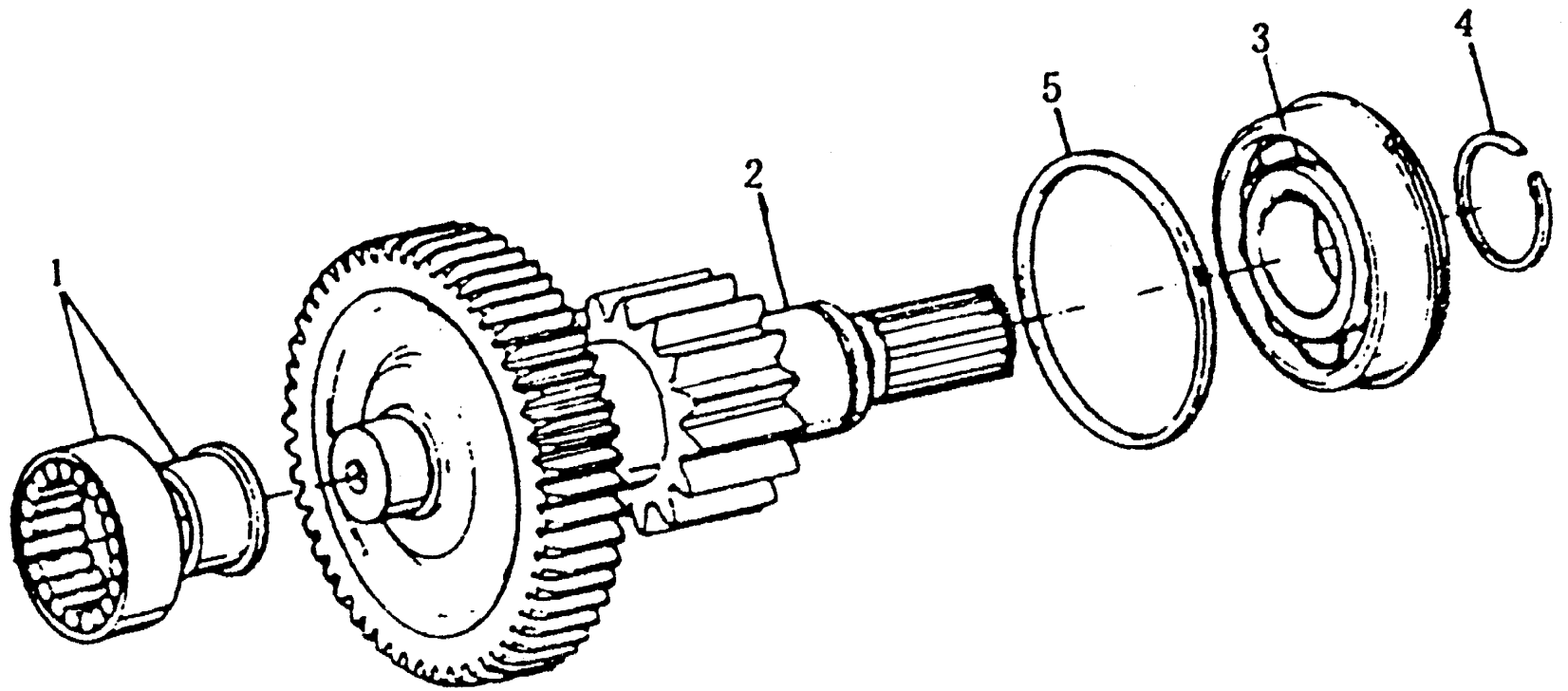
Nb	Number of part	Quantity	Description	Applicability	Designation	名称	Remark
1	F99882	1			Main shaft	副箱主轴	
1	JS180- 1707105	1		9H, 9T, 8F	Main shaft	副箱主轴	
2	14332	1			Main shaft washer	副箱主轴垫圈	
2	JS180- 1707107	1		9H, 9T, 8F	Main shaft washer	副箱主轴垫圈	
3	14331	1			Main shaft washer	副箱主轴垫片	
4	19726	1			Release gear	副箱主轴减速齿轮	
4	JS100T- 1707121	1		8B, 8C	Release gear	副箱主轴减速齿轮	
4	19665	1		9B	Release gear	副箱主轴减速齿轮	
4	JS130T- 1707121	1		8D, 8E	Release gear	副箱主轴减速齿轮	
4	19165	1		9A	Release gear	副箱主轴减速齿轮	
4	JS180- 1707106	1		9H, 9T	Release gear	副箱主轴减速齿轮	
4	JS180T- 1707121	1		8F	Release gear	副箱主轴减速齿轮	
5	F14327	1			Snap ring	止动环	
6	19466	1			Washer	副箱减速齿轮垫片	
6	JS180- 1707108	1		9H, 9T, 8F	Washer	副箱减速齿轮垫片	
7	F96006	1			Flange nut	凸缘螺母	



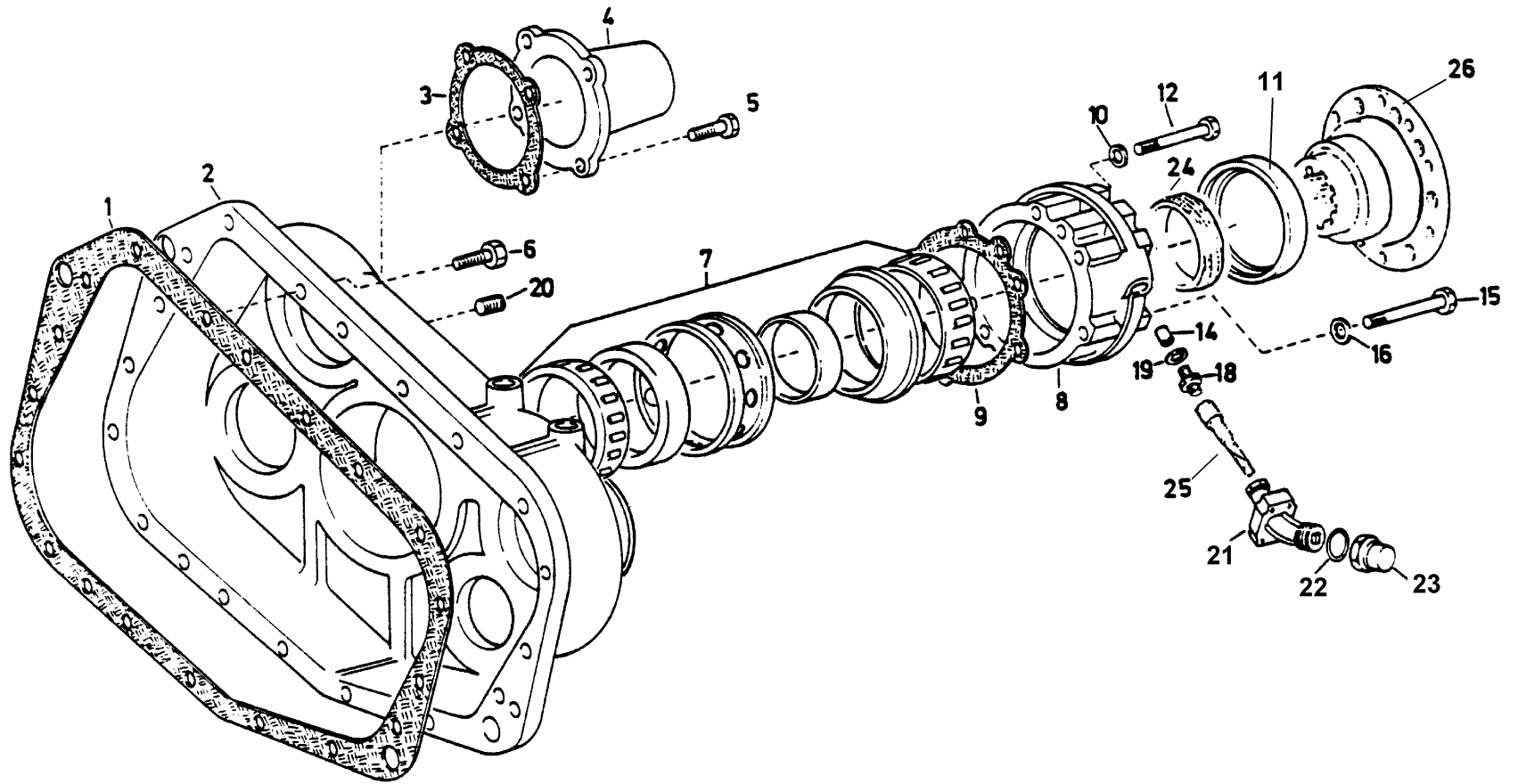
A4- 11

## Fuller SYNCHRONISATION/ Fuller 同步器

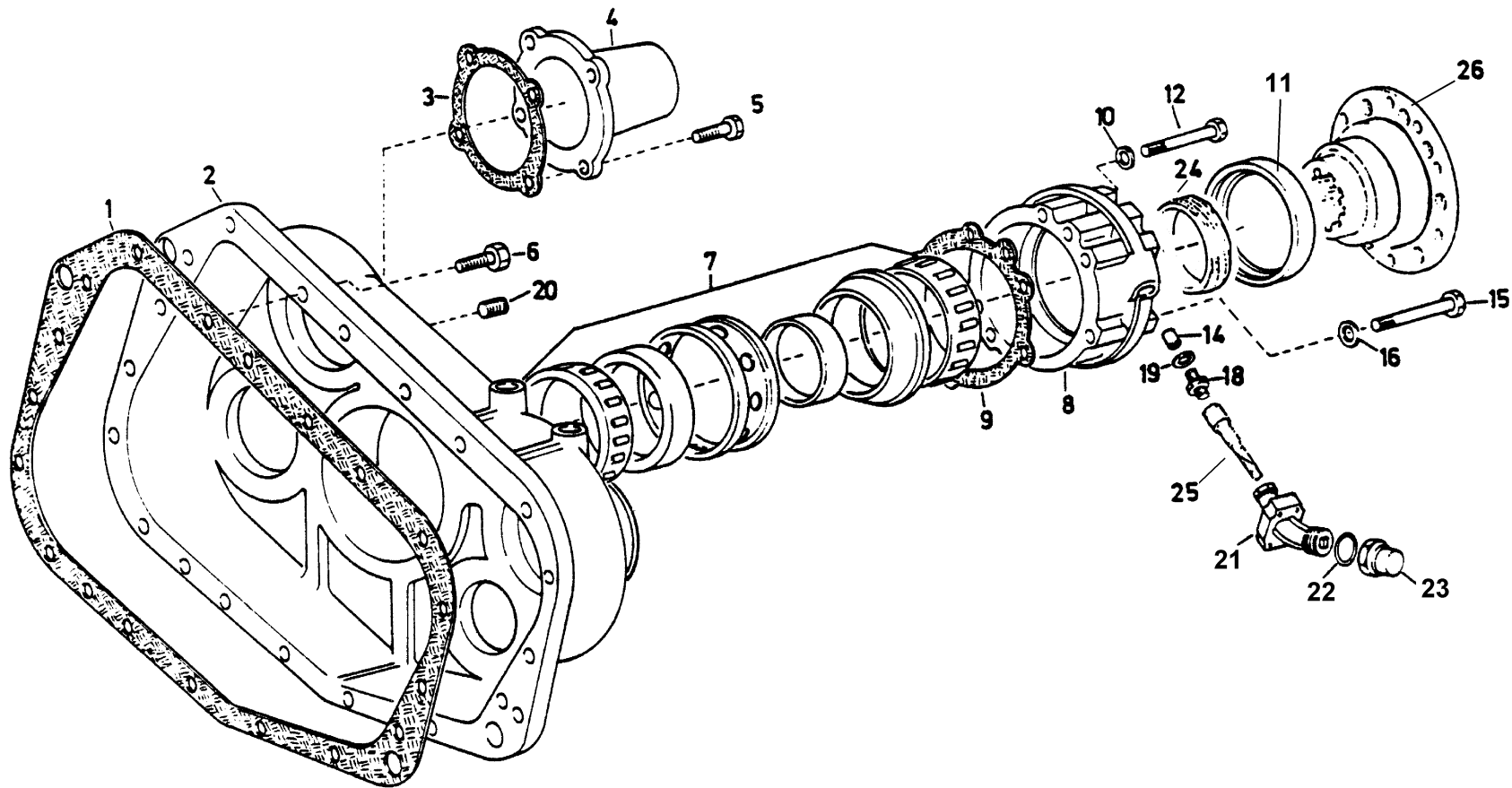
No	Number of part	Quantity	Description	Applicability	Designation	名称	Remark
	A- 5056				Synchronization	同步器	
1	14897	3			Spring	弹簧	
2	A- 4938	1			Syn. high gear	高档同步器总成	
2	JS130T- 1701150	1		8B- F	Syn. high gear	高档同步器总成	
3	20323	1			Sleeve	同步器滑动总成	
4	A- 4937	3			Syn. low gear	低档同步器总成	
4	JS130T- 1701140	1		8B- F	Syn. low gear	低档同步器总成	
5	19154	1			Spring guidance	弹簧导向座	



No	Number of part	Quantity	Description	Applicability	Designation	名称	Remark
1	42307E	2			Bearing	轴承	
2	JS130T- 1707047	2		8B~ E, 9C	Long lay shaft C	加长中间轴总成	
2	18222	2			Long lay shaft	副箱加长中间轴	
2	19998	2		9A	Long lay shaft	副箱加长中间轴	
2	JS180T- 1707048	2		8F	Long lay shaft	副箱中间轴	
2	20002	2		9B	Long lay shaft	副箱加长中间轴	
2	JS180- 1707053	2		9H, 9T	Long lay shaft	副箱中间轴焊接总成	
2	19255	2		9A	Driven gear	副箱中间轴传动齿轮	
2	19276	2		9B	Driven gear	副箱中间轴传动齿轮	
2	JS180T- 1707049	2		8F	Driven gear	副箱中间轴传动齿轮	
2	18870	2			Driven gear	副箱中间轴传动齿轮	
3	192310E	2			Bearing	轴承	
3	192311E	2		9H, 9T, 8F	Bearing	轴承	
4	16723	2			Snap ring	止动环	
5	CO1020	2			Snap ring	(轴承) 止动环	
5	17384	2			Ring	轴承垫圈	

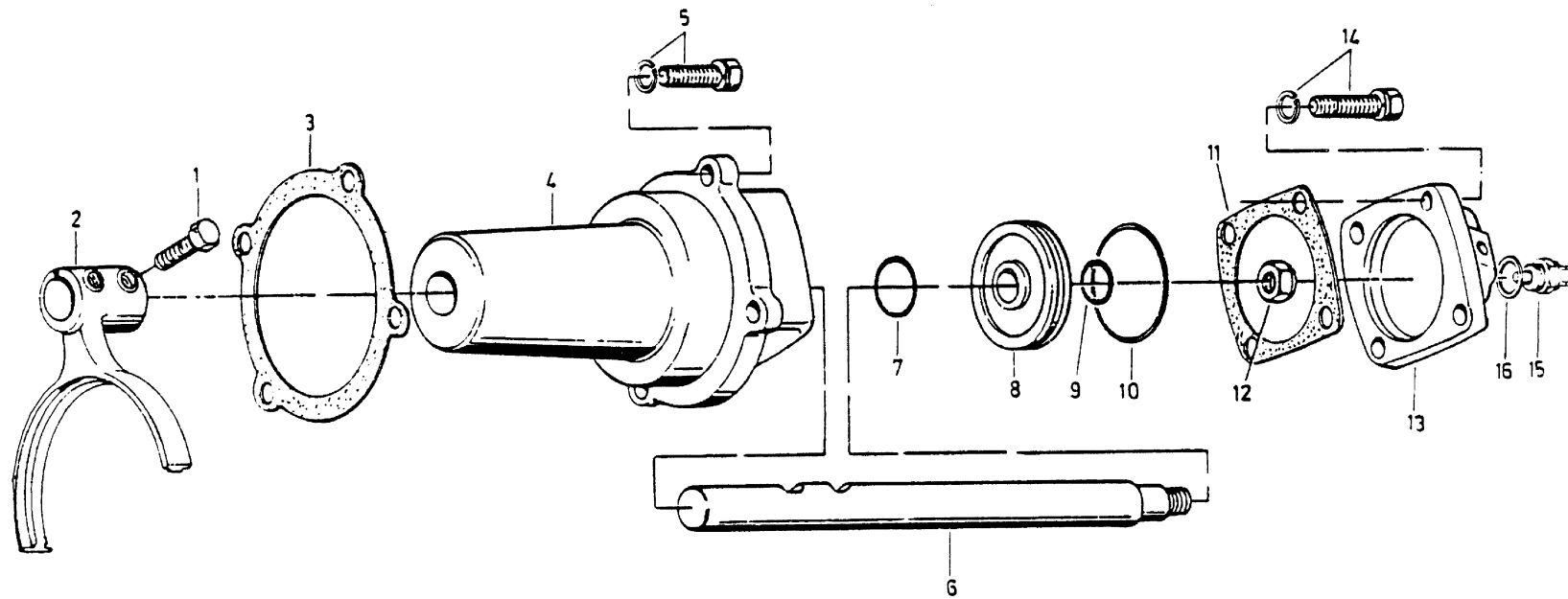


Nb	Number of part	Quantity	Description	Applicability	Designation	名称	Remark
1	14335	1			Gasket	衬垫	
2	F99975	1			Housing	后盖壳体	
2	JS180- 1701015	1		9H, 9T, 8F	Housing	后盖壳体	
2	JS130T- 1707010	1		8B~ E	Housing	后盖壳体	
3	17352	2			Gasket	衬垫	
4	17376	2			bearing cover	加长中间轴轴承盖	
5	A- C09008	8	M10x 32		screw	螺钉	
6	M10x 50	5			screw	螺钉	
6	M10x 45	14			screw	螺钉	
7	71813	1			bearing	轴承	
7	JS180- 1707109	1		8F, 9H, 9T	bearing	轴承	
8	F99967	1			bearing cover	输出轴后轴承盖	
8	JS180- 1707155	1		8F, 9H, 9T	bearing cover	输出轴后轴承盖	
9	15532	1			Gasket	衬垫	
10	Q40310	33			washer	弹簧垫圈	
11	19109	1			Oil seal	油封	
12	M10x 70	5			screw	螺栓	
14	7992	1			Bush	铜套	
15	M10x 70	5			screw	螺栓	
16	17016	9			Gasket	铜垫圈	
16	19709	9			Gasket	密封套	
18	F93060	1			joint	里程表接头总成	
19	F96005	1			Gasket	铜垫	
21	116E- 3802032	1		9E	joint	里程表接头总成	





No	Number of part	Quantity	Description	Applicability	Designation	名称	Remark
24	F91054	1			Drive gear	里程表主动齿轮	
25	F91055	1			Drive gear	里程表被动齿轮	
26	F99900	1	Φ165	Input tor. ≤1500Nm	Plane flange( option)	输出法兰( 选用)	
26	F99900- 1	1	Φ165	Input tor. ≤1500Nm	Toothed flange( option)	输出法兰( 选用)	
26	F99902	1	Φ180	Input tor. ≤1500Nm	Plane flange( option)	输出法兰( 选用)	
26	F99902- 5	1	Φ180	Input tor. ≥1800Nm	Plane flange( option)	输出法兰( 选用)	9H, 9T, 8F
26	JS180- 1707159	1	Φ180	Input tor. ≥1800Nm	Toothed flange( option)	输出法兰( 选用)	9H, 9T, 8F
26	JS180- 1707159- 1	1	Φ180	Input tor. ≤1500Nm	Toothed flange( option)	输出法兰( 选用)	



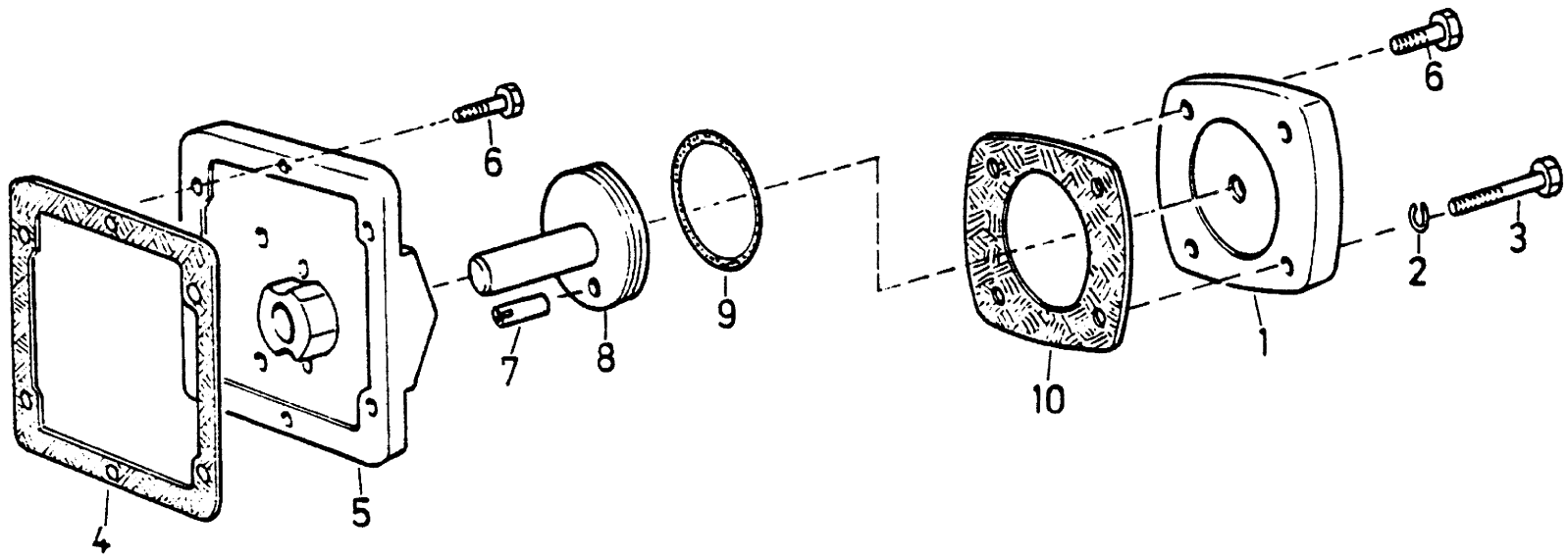
A4- 14

## Fuller SHIFTING CYLINDER ASSEMBLY/ Fuller 换档气缸总成

Nb	Number of part	Quantity	Description	Applicability	Designation	名称	Remark
	A- C09016	1			Cylinder	换档气缸总成	
1	M12x 1.25x 50	2			Screw	螺钉	
2	16775	1			Shift yoke	副箱拨叉	
3	1684	1			Gasket	衬垫	
4	16778	1			Aux. cylinder	范围档气缸	
5	M10x 32	1			Screw	螺钉	
6	16993	1			Yoke shaft	拨叉轴	
7	14765	1			O ring	O型圈	
8	14341	1			Piston	活塞	
9	14345	1			O ring	O型圈	
10	14344	1			O ring	O型圈	
11	14349	1			Gasket	气缸盖密封垫	
12	M16x 1.5	1			Nut	螺母	
13	F99857	1			Cover	气缸盖	
15	79100710069	1			Switch high- low gear	高低档开关	
16	X11511	1			Washer	垫圈	

162

A4



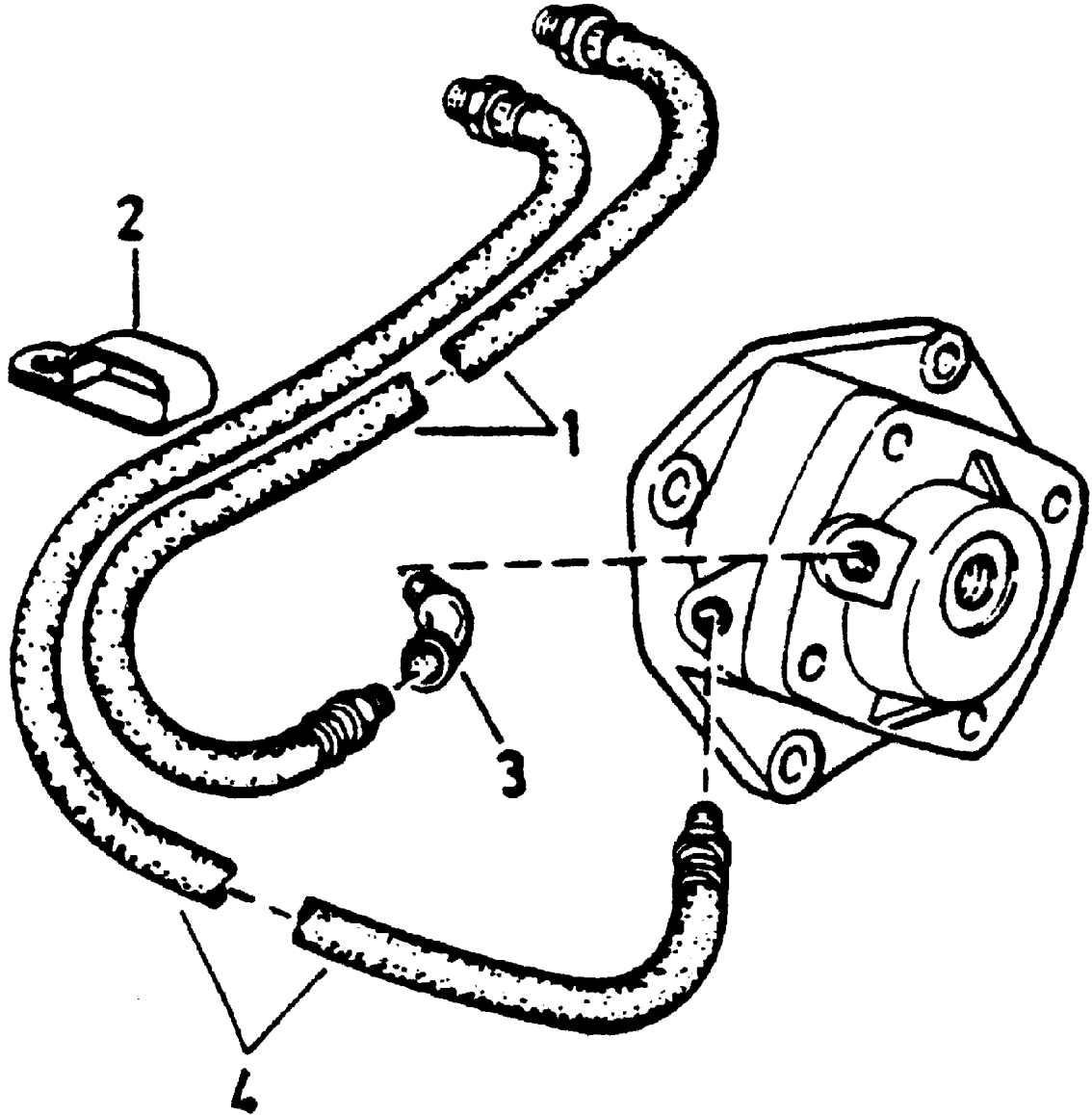
A4- 15

## Fuller CLUTCH BRAKE/ Fuller 变速器离合器制动器

No	Number of part	Quantity	Description	Applicability	Designation	名称	Remark
	A- 4046			RT, 7J, 9J	Clutch brake C	中间轴制动器	
1	16659	1			Cover	制动器活塞盖	
2	Q40310	8			Spring washer	弹簧垫圈	
3	M10x 55	2			Screw	螺钉	
4	1684	1			Gasket	衬垫	
5	16656	1			Housing	中间轴制动器壳	
6	M10x 32	6			Screw	螺钉	
7	Q5000616	1			Roll pin	销	
8	16658	1			Piston	制动器活塞	
9	16660	1			O ring	O型圈	
10	16661	1			Gasket	活塞盖衬垫	

164

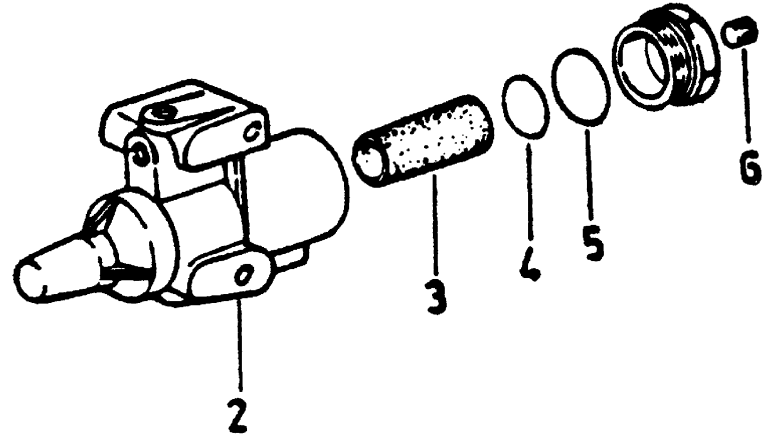
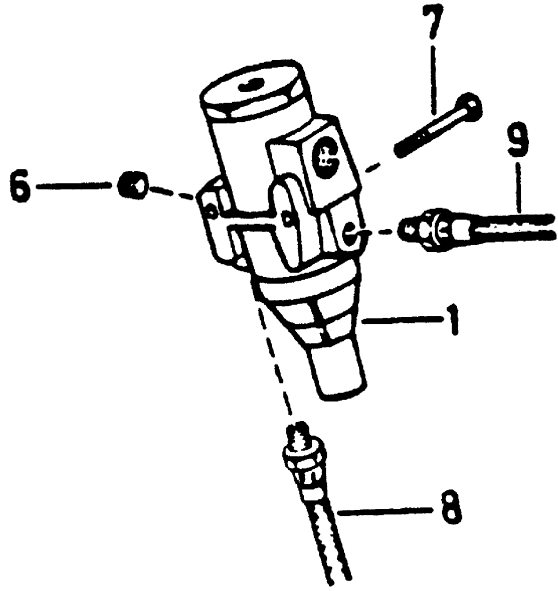
A4



A4- 16

Fuller PNEUM. SHIFTING/Fuller 变速器控制阀气路

No	Number of part	Quantity	Description	Applicability	Designation	名称	Remark
1	55523	1			pipe	软管	
2	19779	2			clamp	夹子	
3	12880	1			joint	弯管接头	
4	55522	1			pipe	软管	





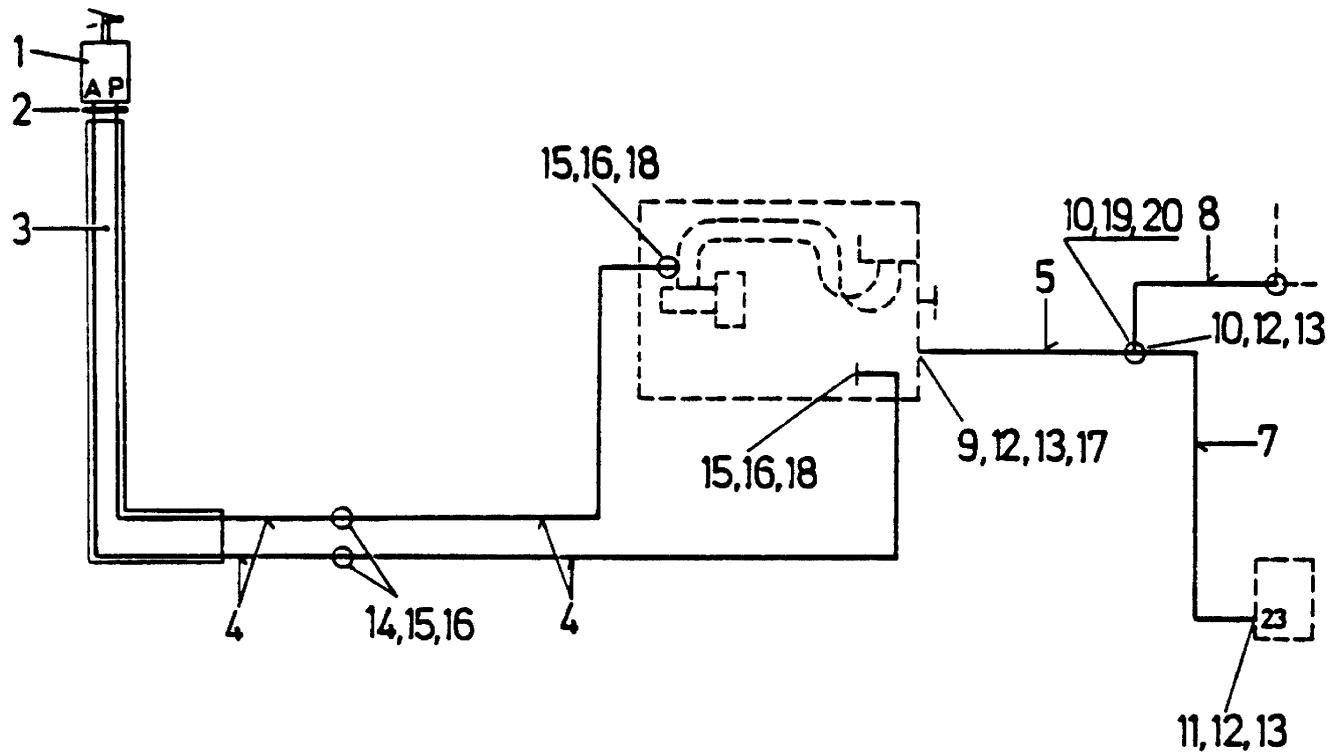
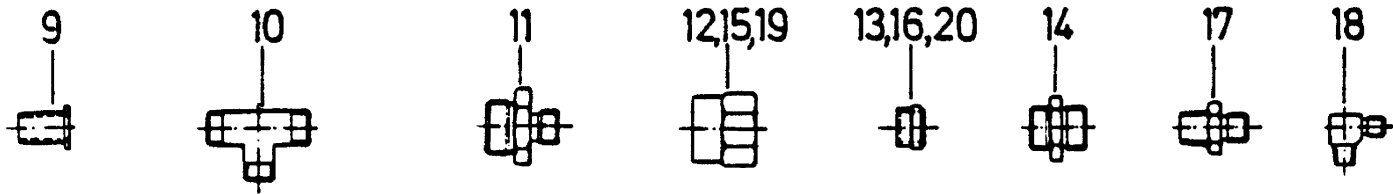
A4- 17

## Fuller AIR REGULATOR VALVE/ Fuller 调压阀

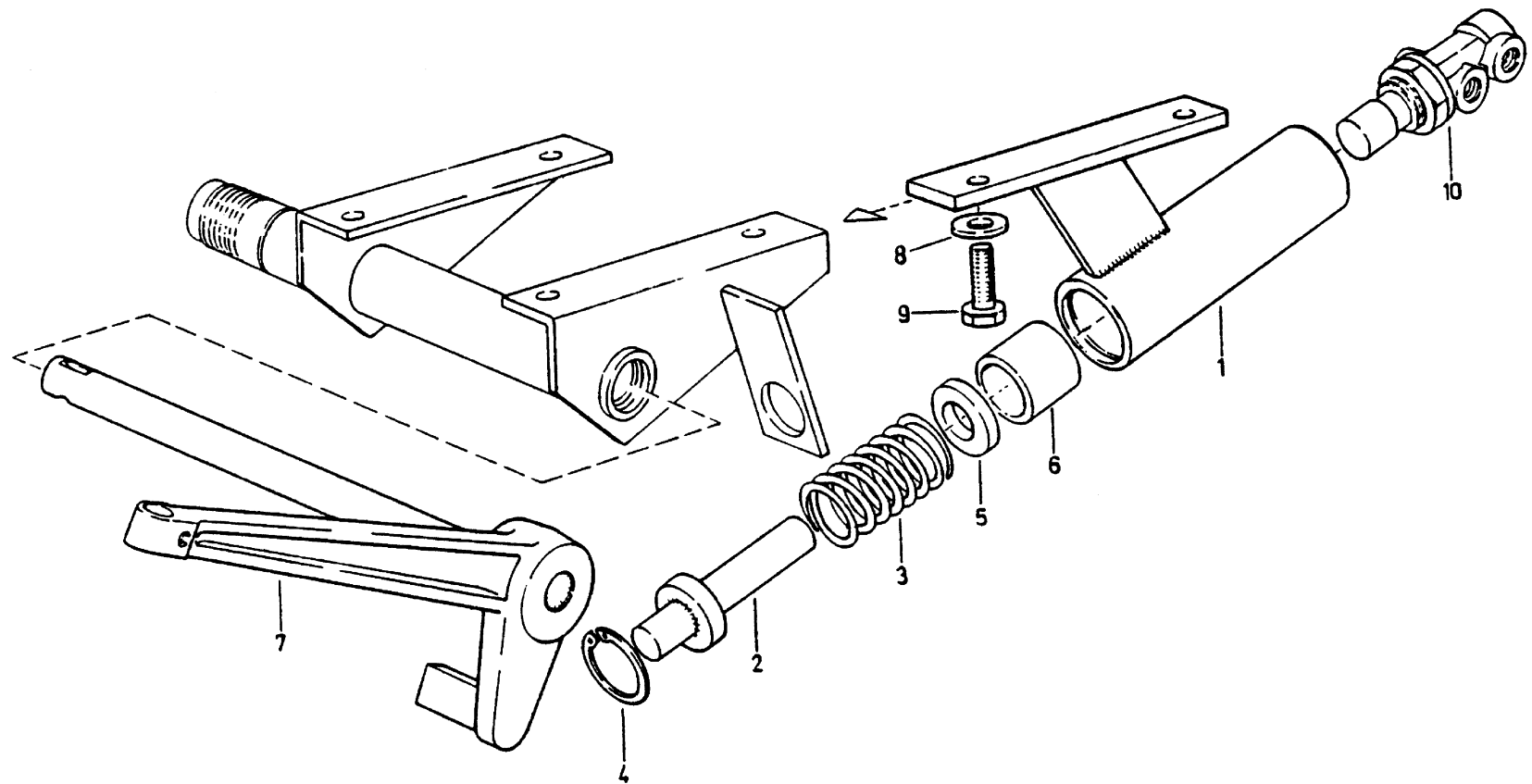
No	Number of part	Quantity	Description	Applicability	Designation	名称	Remark
1	A- 4740	1		含 2- 6	Air regulator valve	空气滤清调节器总成	
2	19600	1			Valve housing	调压阀体	
3	19670	1			Element	滤芯	
4	19953	1			O ring	O 型圈	
5	19671	1			O ring	O 型圈	
6	X 14973	3			Plug	堵	
7	X 11217	2	M6x 60		Screw	螺栓	
8	55527	1			Airpipe	气管	
9	55518	1			Airpipe	气管	
10	K- 1698	1			Spare part	备件组	

168

A4



No	Number of part	Quantity	Description	Applicability	Designation	名称	Remark
1	199100280030	1			3/2 way valve	3/2 路操纵阀	
2	199100280031	1			Cover	盖	
3	190003179855	1			Pipe	软管	
4	190003179778				Pipe	塑料管	
5	190003179781				Pipe	塑料管	
7	199114362010	1			Pipe	管路	
7	199118362028	1			Pipe	管路	
8	199014350012	1			Pipe	管路	
9	199014280041	2			Sleeve	衬套	
10	WC99100360111	1			Connector	直接头	
11	190003559945	1			Connector	管接头	
12	190003559509	4			Nut	螺母	
13	190003559558	4			Sleeve	卡套	
14	190003559460	2			Connector	管接头	
15	190003559507	6			Nut	螺母	
16	190003559556	6			Sleeve	卡套	
17	WC99112280010	1			Connector	管接头	
18	199112280013	2			Connector	弯管接头	
19	190003559516	1			Nut	螺母	
20	190003559561	1			Sleeve	卡套	



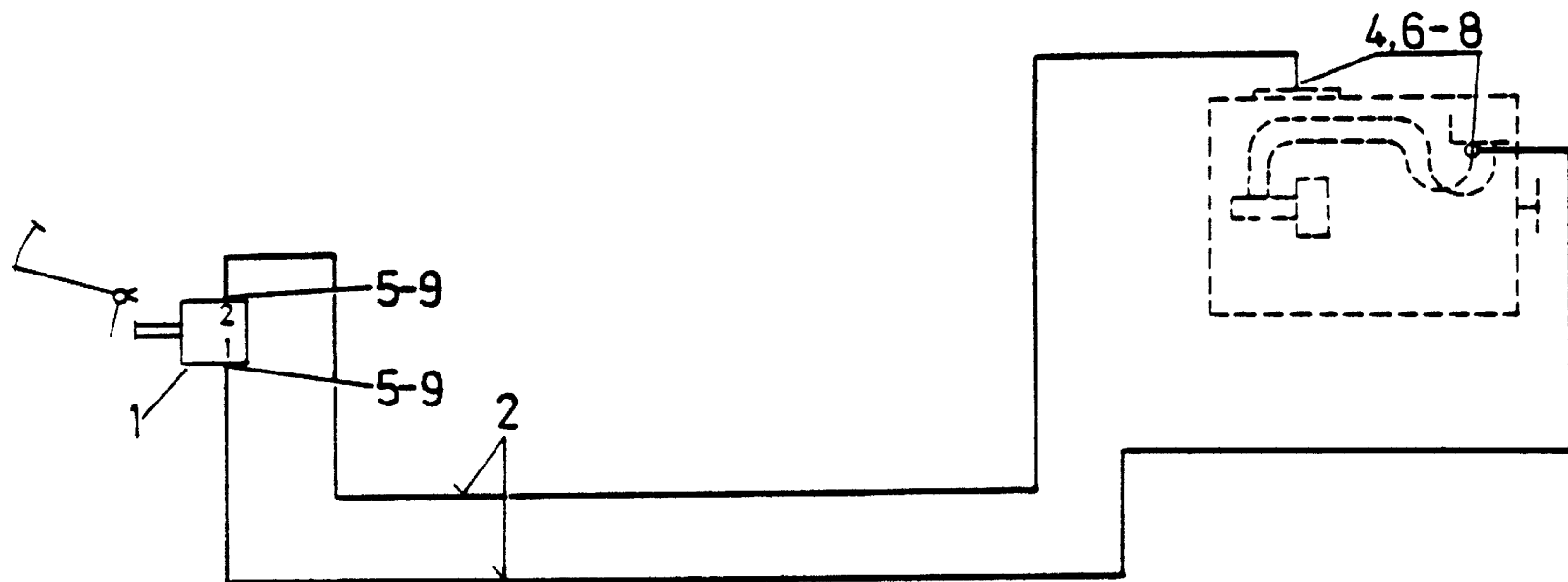
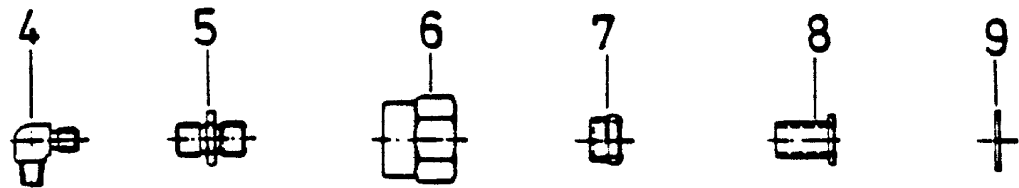
A4- 19

## Fuller SHIFTING TO CLUTCH BRAKE/ Fuller 离合器制动器操纵机构

No	Number of part	Quantity	Description	Applicability	Designation	名称	Remark
0	WC9112240109	1		Incl.( 1~ 6	Stop C	止动器 含 1~ 6	
1	199112240114	1			Housing	壳体	
2	1- 21- 422- 230	1			Push rod	推杆	
3	1- 99- 976- 035	1			Spring	弹簧	
4	190003934190	1	38x 1.5		Circlip	挡圈	
5	1- 99- 907- 048	1			Washer	垫片	
6	199112240110	1			Sleeve	隔套	
7	199112230035	1			Clutch pedal	离合器踏板	
8	13809230034	2			Washer	垫圈	
9	190003802527	2			Bolt	螺栓	
10	199100360031	1			Valve	阀	

172

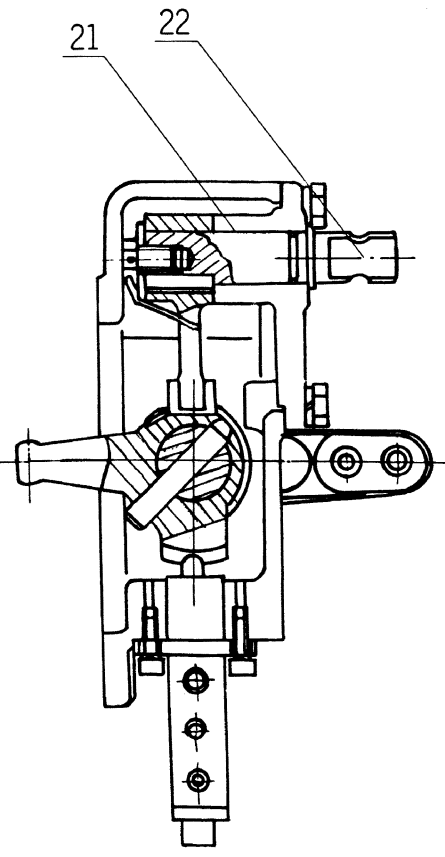
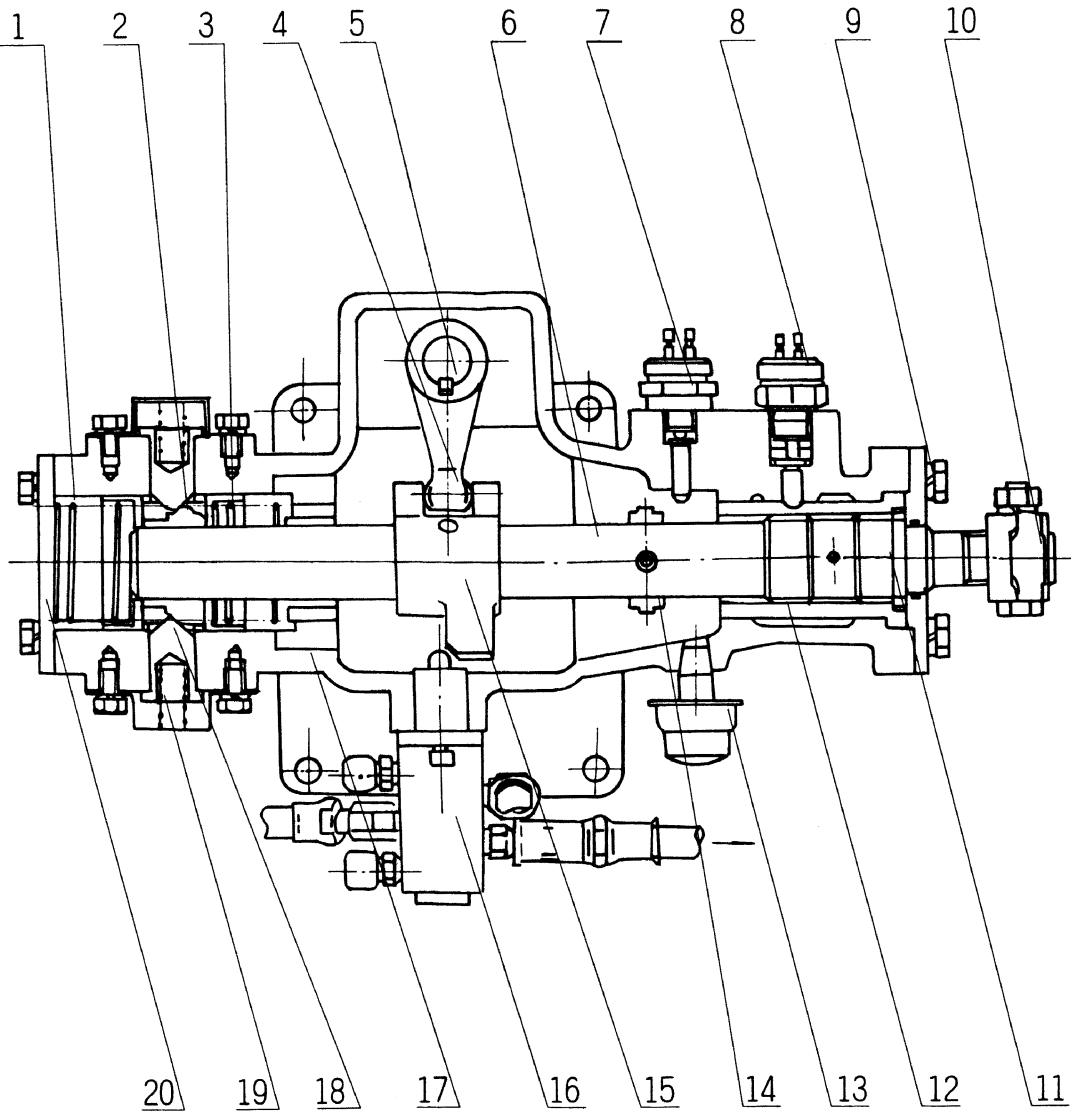
A4



A4- 20

## Fuller AIR LINE FOR CLUTCH BRAKE/Fuller 变速器离合器制动器气路

No	Number of part	Quantity	Description	Applicability	Designation	名称	Remark
1	WC9000360150	1	Wabco		Valve	按钮阀	
2	190003179782				Plastic pipe	聚酰胺管子	
3	19112280111	1			Connector	管接头	
4	WC99112280014	2			Connector	锥螺纹直角接头体	
5	190003559766	2			Connector	卡套式直通管接头	
6	190003559516	4			Nut	管接头用螺母	
7	190003559561	4			Sleeve	卡套	
8	199014280016	4			Hose	衬套	
9	190003098012	2	Q72312T5F		Gasket	密封垫圈	

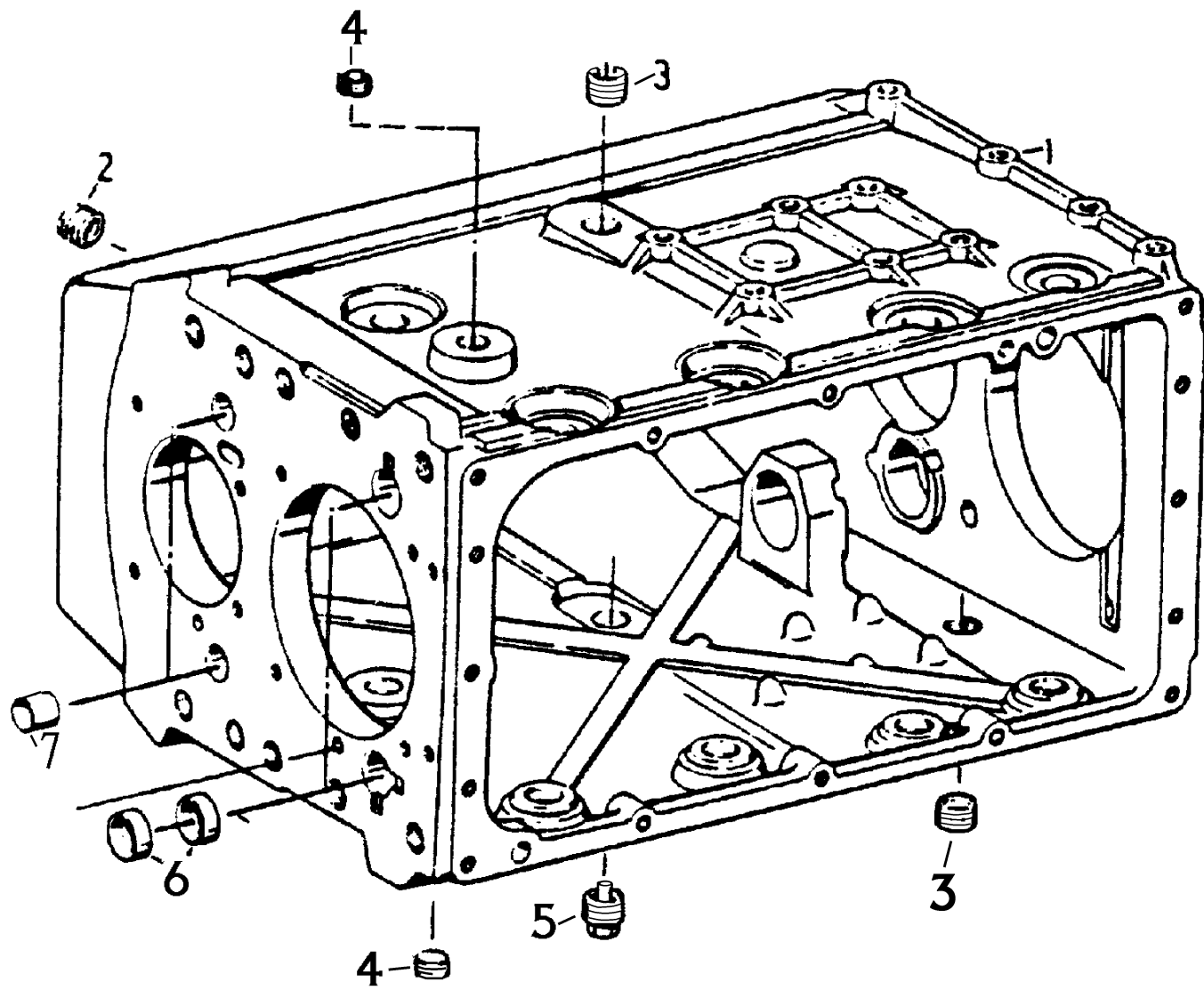




A4- 21 Fuller DOUBLE LEVER DOUBLE H OPERATION (Option) / Fuller 双杆双 H 换档控制机构( 选用)

No	Number of part	Quantity	Description	Applicability	Designation	名称	Remark
0	A- C03001- 3	1			Double lever& H operation C	双杆双 H 换档装置总成	
1	F99983	1			Spring	弹簧	
2	F99675	1			Stop ring	定位环	
3	F96036	1			Spring	弹簧	
4	C03035- 1	1			Shift finger	选档拨头	
5	C03038- 1- 1	1			Key	平键	
6	99679- 3	1			Gearshift shaft	横向换档杆	
7	79100710068	1			Reverse light switch	倒档开关	
8	99012710041	1			Neutral switch	空档开关	
9	C03033- 1	1			Housing cover	盖板	
10	F96035- 5	1			Lever	外换档臂	
11	C03032- 1	1			Gearshift shaft	换档接头	
12	C03031- 1	1			Sleeve	花键套	
13	15276	1			Breather	通气塞	
14	F99681	1			Reverse switch	倒档开关控制块	
15	F99585- 1	1			Reverse switch shift block	拨头	
16	F99660	1			Double H valve	双 H 气阀	
17	F96194- 3	1		9A~ C	Housing	双 H 操纵装置壳体	
17	JS100- 1702051- 1	1		7A, 7B, 8A~ F	Housing	双 H 操纵装置壳体	
18	F99670	1			Plug	定位柱塞	
19	F96037	1			Spring	弹簧	
20	F99666	1			Housing cover	盖板	
21	C03036- 1	1			Cover	窗口盖	
22	C03035- 1	1			Shift joint	选档接头	

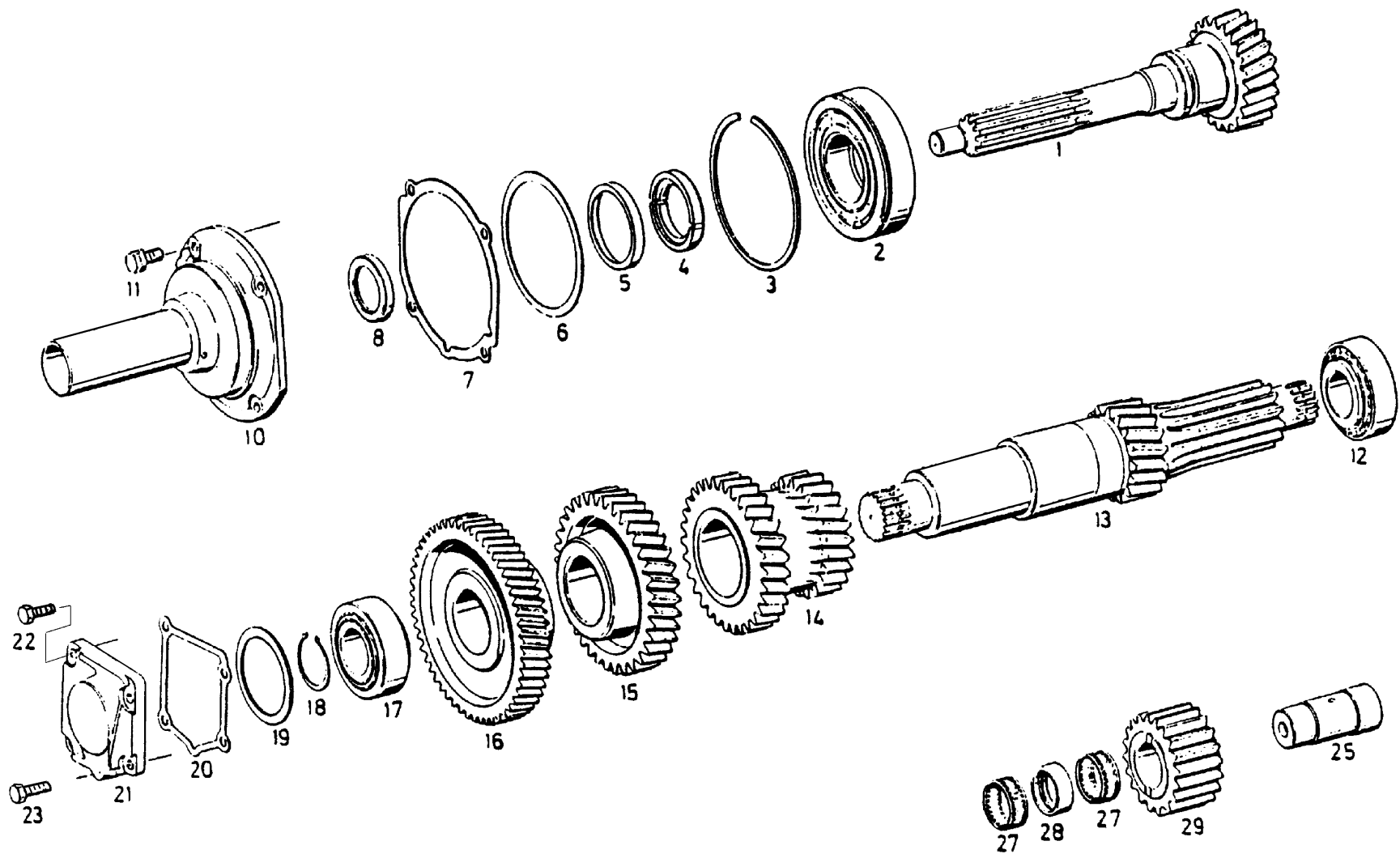
176



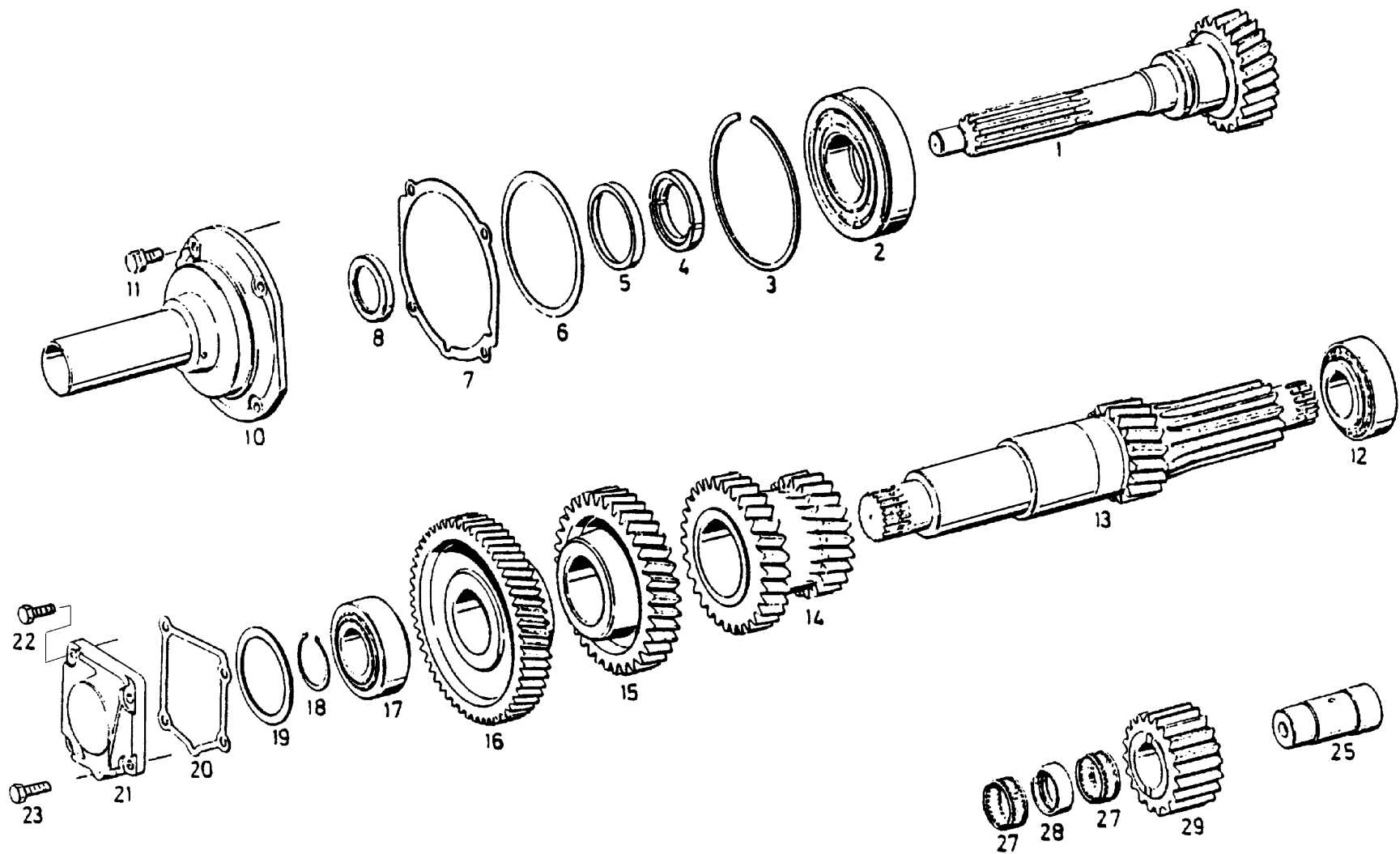
A5- 1

## S6- 120 GEAR BOX HOUSING ASSY./ S6- 120 变速箱壳体总成

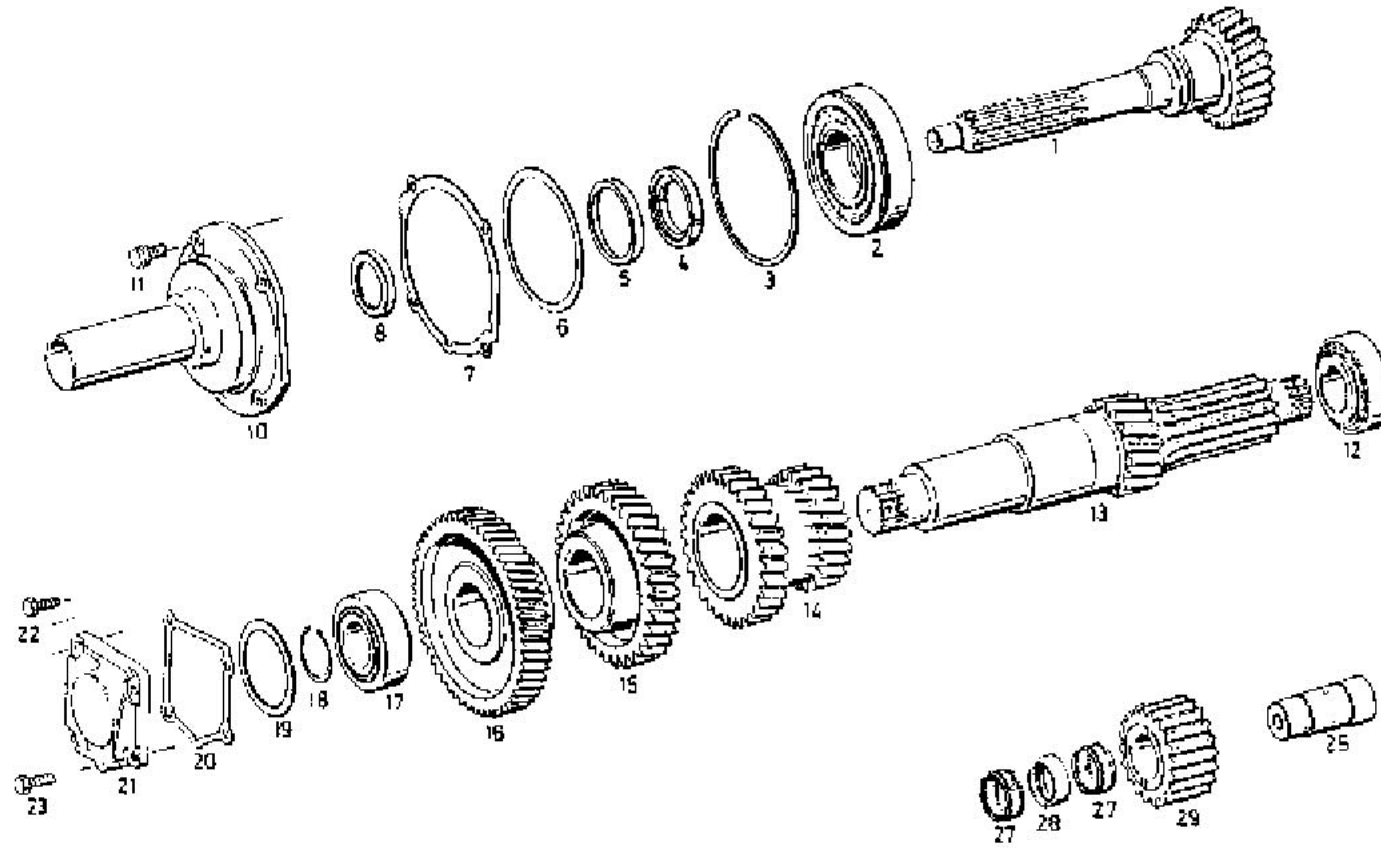
No	Number of part	Quantity	Description	Applicability	Designation	名称	Remark
1	1268 301 024	1			Gearbox Housing	壳体	
2	0736 303 005	1	M24× 1.5		Screw Plug	螺塞	
3	0736 301 022	5	M24× 1.5		Screw Plug	内六角螺塞	
4	0636 301 048	2	M18× 1.5DIN		Screw Plug	内六角螺塞	
5	0736 305 016	1			Screw Plug	放油螺塞	
6	0630 361 034	4			Screw Plug	堵盖	
7	0768 310 001	4			Screw Plug	堵盖	



No	Number of part	Quantity	Description	Applicability	Designation	名称	Remark
1	115 302 023	1			Input Shaft	第一轴	
2	0735 410 039	1			Roller Bearing	短圆柱滚子轴承	
3	0630 503 020	1			Sp150 Snap Ring	轴承止动环	
4	0769 145 001 9	1		one's option	Split Ring series	半圆挡环组	选装一件
4	0730 103 510	1	A= 7. 20		Split Ring	半圆挡环	
4	0730 103 509	1	A= 7. 10		Split Ring	半圆挡环	
4	0730 102 629	1	A= 7. 00		Split Ring	半圆挡环	
4	0730 102 630	1	A= 6. 90		Split Ring	半圆挡环	
4	0730 102 631	1	A= 6. 80		Split Ring	半圆挡环	
4	0730 102 632	1	A= 6. 70		Split Ring	半圆挡环	
4	0730 106 673	1	A= 6. 60		Split Ring	半圆挡环	
4	0730 106 674	1	A= 6. 50		Split Ring	半圆挡环	
4	0730 106 675	1	A= 6. 40		Split Ring	半圆挡环	
5	0730 361 046	1			Retaining Ring	锁止环	
6	0769 140 001 9	1		one's option	Shim series	调整垫片组	选装一件
6	1205 308 016	1	A= 0. 2		Shim	调整垫片	
6	1205 308 040	1	A= 0. 25		Shim	调整垫片	
6	1205 308 020	1	A= 0. 3		Shim	调整垫片	
7	1250 302 373	1			Gasket	衬垫	
8	0734 310 108	1	48x 69x 10/ 8		Shaft Seal	油封总成	
10	1250 302 265	4			Connection Plate	前端盖	T49N. m
11	0636 015 120	1	M 10x 25		Hexagon Screw	螺栓	
12	0635 374 019	1	45x 100x 38. 25		Roller Bearing	圆锥滚子轴承	



Nb	Number of part	Quantity	Description	Applicability	Designation	名称	Remark
13	115 303 030				Layshaft	中间轴	
14	115 303 005				Double Gear	中间轴三、四档齿轮	
15	115 303 009				Helical Gear	中间轴六档齿轮	
16	115 303 014				Helical Gear	中间轴常啮合齿轮	
17	0735 370 011				Roller bearing	圆锥滚子轴承	
18	0769 144 00( 9			one's option	Retaining Ring series	轴用弹性挡圈组( 选用一件)	
18	0630 531 065		50x 3.0		Retaining Ring	轴用弹性挡圈	
18	0630 501 112		50x 2.9		Retaining Ring	轴用弹性挡圈	
18	0630 501 114		50x 2.8		Retaining Ring	轴用弹性挡圈	
18	0630 501 116		50x 2.7		Retaining Ring	轴用弹性挡圈	
18	0630 501 118		50x 2.6		Retaining Ring	轴用弹性挡圈	
18	0630 531 064		50x 2.5		Retaining Ring	轴用弹性挡圈	
18	0630 501 148		50x 2.4		Retaining Ring	轴用弹性挡圈	
18	0630 501 147		50x 2.3		Retaining Ring	轴用弹性挡圈	
19	0769 140 04( 9			one's option	Shim series	调整垫圈组	
19	0730 103 124		A= 3.6		Shim	调整垫圈	
19	0730 103 123		A= 3.55		Shim	调整垫圈	
19	0730 103 122		A= 3.5		Shim	调整垫圈	
19	0730 103 121		A= 3.45		Shim	调整垫圈	
19	0730 103 120		A= 3.4		Shim	调整垫圈	
19	0730 103 119		A= 3.35		Shim	调整垫圈	
19	0730 103 118		A= 3.3		Shim	调整垫圈	
19	0730 103 117		A= 3.25		Shim	调整垫圈	
19	0730 103 116		A= 3.2		Shim	调整垫圈	





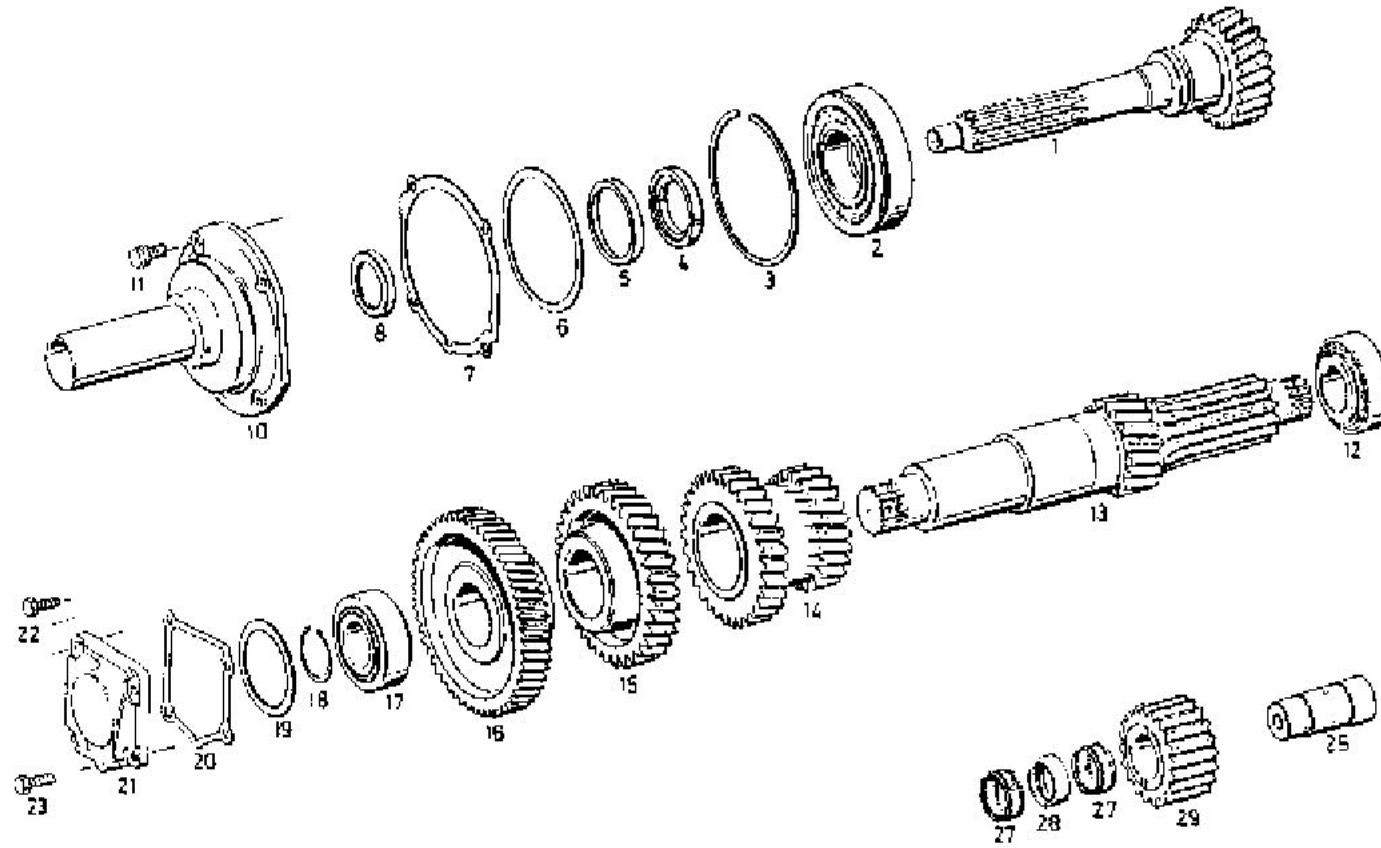
A5- 2

## S6- 120 INPUT SHAFT, LAYSHAFT AND GEAR/ 一轴, 中间轴及齿轮

Nb	Number of part	Quantity	Description	Applicability	Designation	名称	Remark
19	0730 103 115		A= 3. 15		Shim	调整垫圈	
19	0730 102 098		A= 3. 05		Shim	调整垫圈	
19	0730 102 099		A= 3. 00		Shim	调整垫圈	
19	0730 102 100		A= 2. 95		Shim	调整垫圈	
19	0730 102 101		A= 2. 90		Shim	调整垫圈	
19	0730 102 102		A= 2. 85		Shim	调整垫圈	
19	0730 102 103		A= 2. 80		Shim	调整垫圈	
19	0730 102 104		A= 2. 75		Shim	调整垫圈	
19	0730 102 105		A= 2. 70		Shim	调整垫圈	
19	0730 102 106		A= 2. 65		Shim	调整垫圈	
19	0730 102 060		A= 2. 60		Shim	调整垫圈	
19	0730 102 061		A= 2. 55		Shim	调整垫圈	
19	0730 102 062		A= 2. 50		Shim	调整垫圈	
19	0730 102 063		A= 2. 45		Shim	调整垫圈	
19	0730 102 064		A= 2. 40		Shim	调整垫圈	
19	0730 102 065		A= 2. 35		Shim	调整垫圈	
19	0730 102 066		A= 2. 30		Shim	调整垫圈	
19	0730 102 067		A= 2. 25		Shim	调整垫圈	
19	0730 102 068		A= 2. 20		Shim	调整垫圈	
19	0730 102 069		A= 2. 15		Shim	调整垫圈	
19	0730 102 070		A= 2. 10		Shim	调整垫圈	
19	0730 102 071		A= 2. 05		Shim	调整垫圈	
19	0730 102 072		A= 2. 00		Shim	调整垫圈	
19	0730 102 073		A= 1. 95		Shim	调整垫圈	
19	0730 102 074		A= 1. 90		Shim	调整垫圈	

184

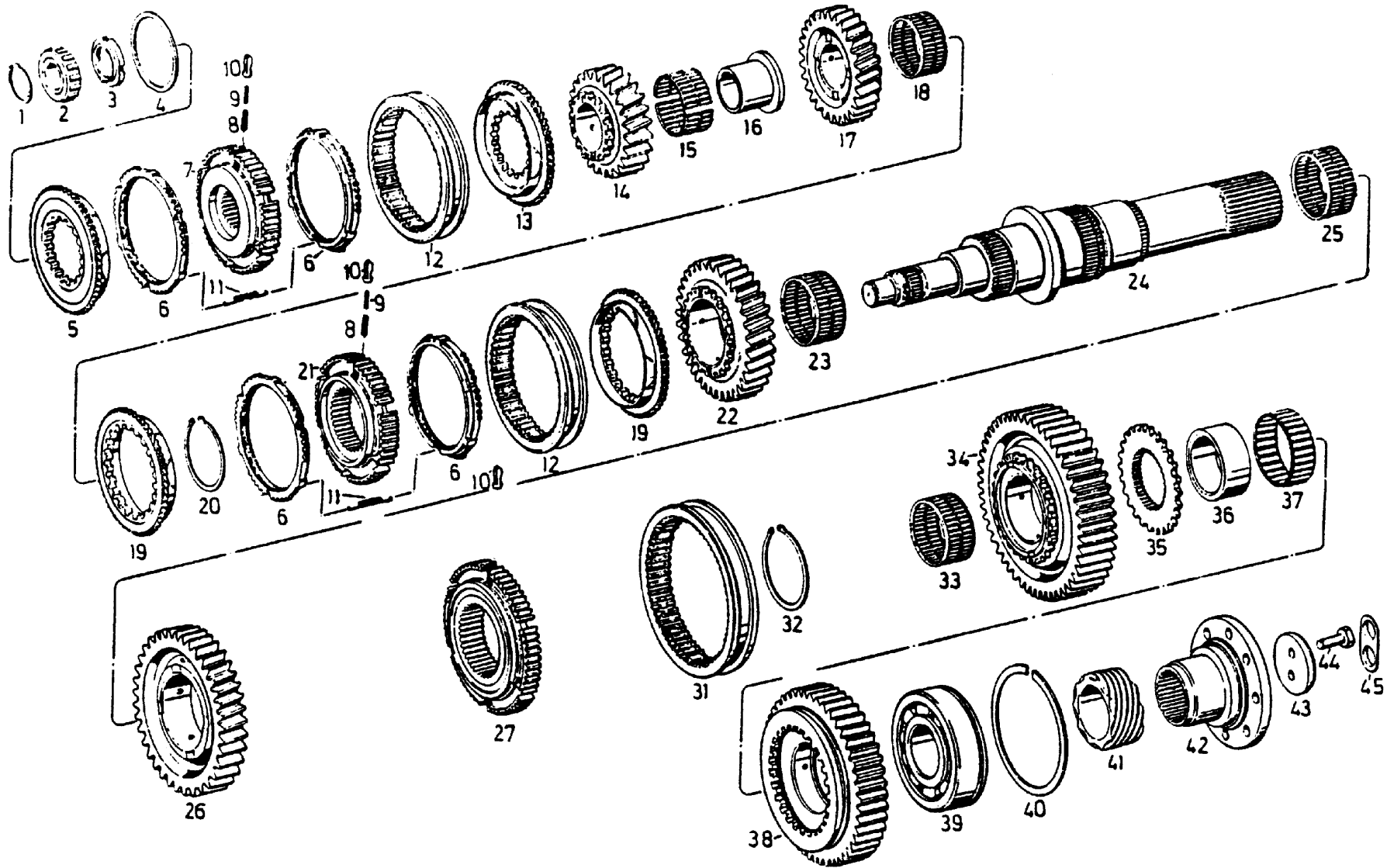
A5



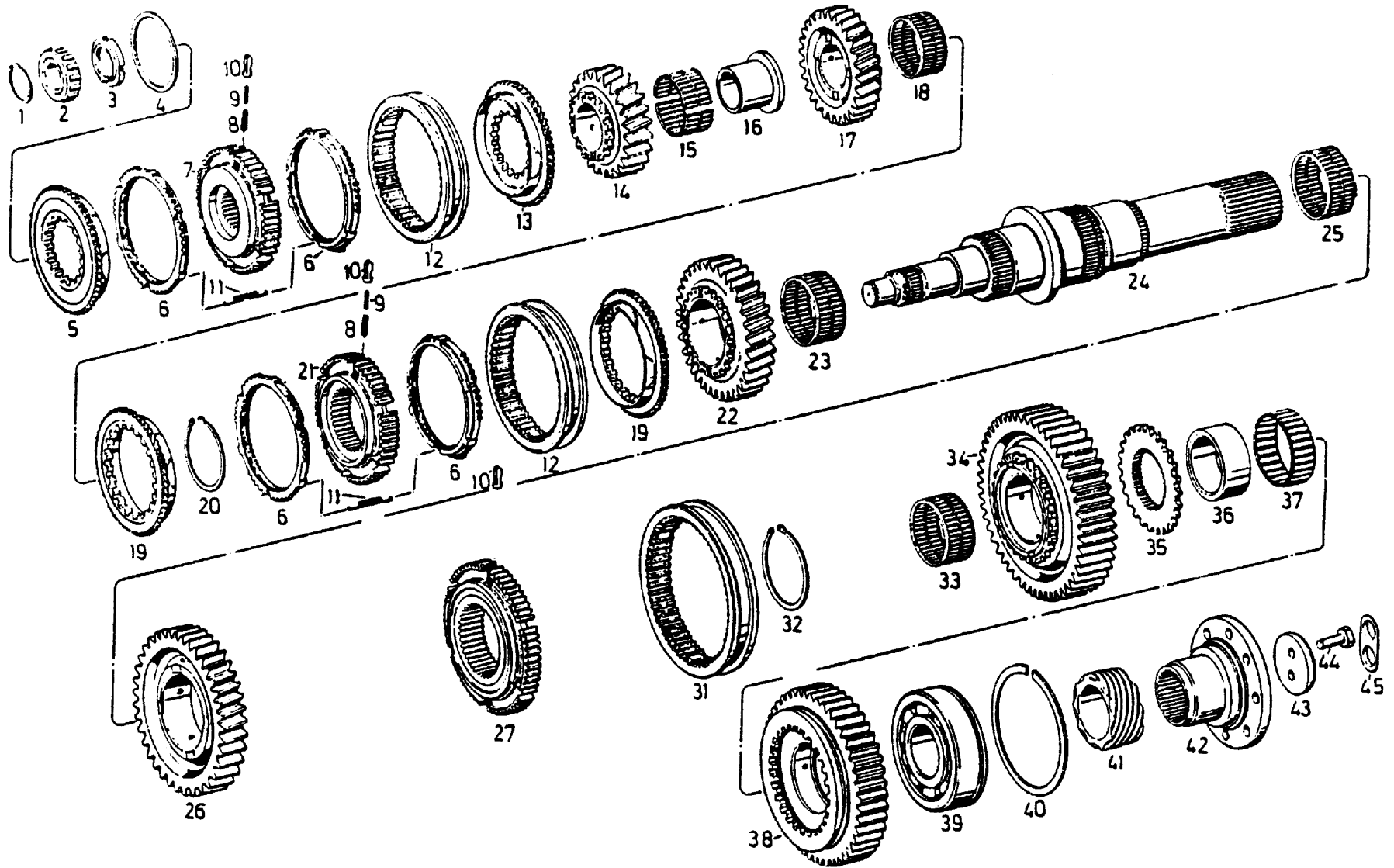
A5- 2

## S6- 120 INPUT SHAFT, LAYSHAFT AND GEAR/ 一轴, 中间轴及齿轮

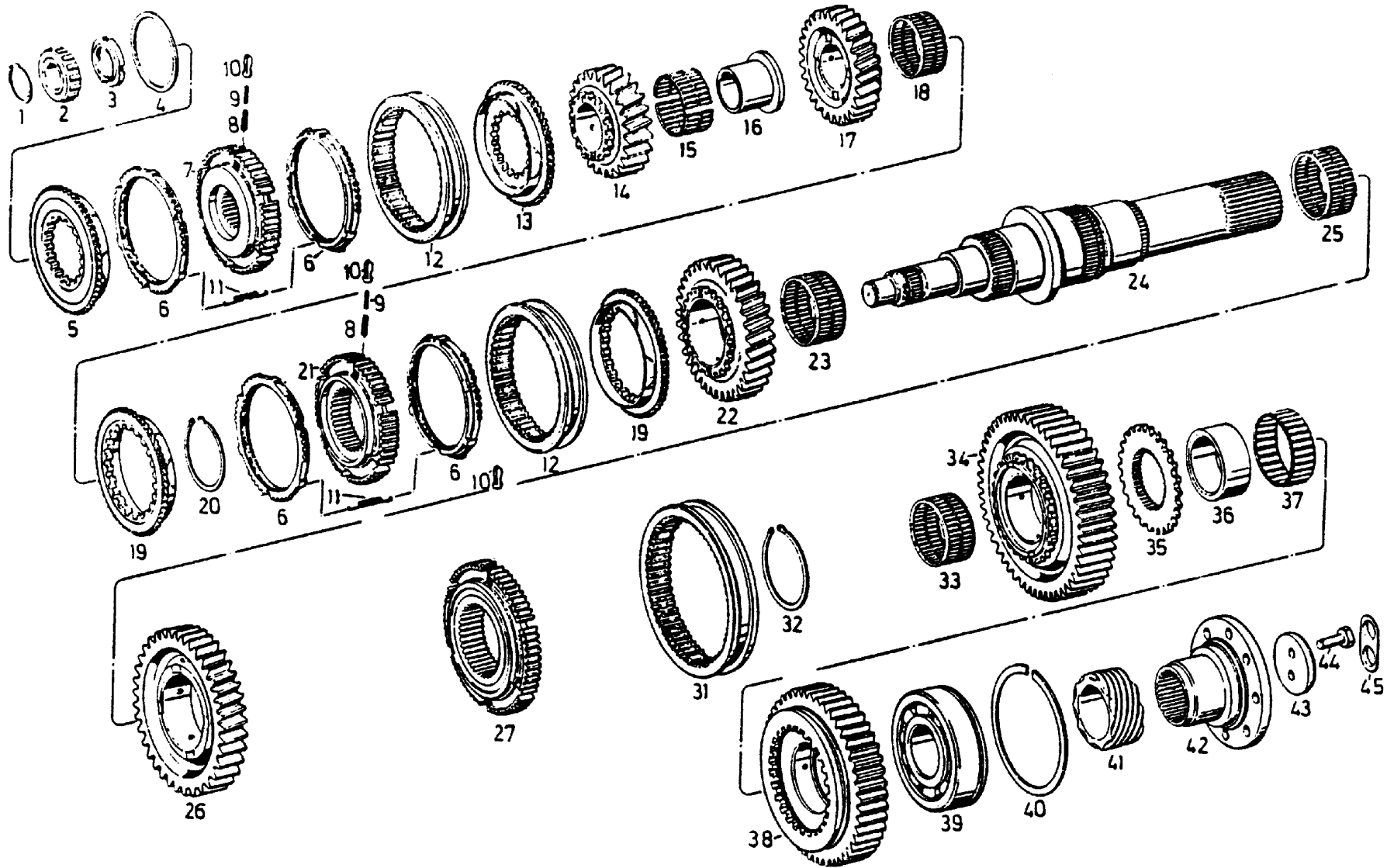
Nb	Number of part	Quantity	Description	Applicability	Designation	名称	Remark
20	1268 303 071	1			Gasket	衬垫	
21	1268 303 066	1			Cover	中间轴前端盖	
22	0636 015 114	2	M10x 122		Hexagon Screw	螺栓	T49N. m
23	0636 015 124	2	M10x 28		Hexagon Screw	螺栓	T49N. m
25	1250 305 003	1			Reverse Idler Shaft	倒档轴	
27	0735 320 492	2	45x 53x 21		Needle Cage	倒档齿轮滚针轴承	
28	1250 305 006	1			Bush	滚针轴承隔套	
29	115 305 002	1			Reverse Idler Gear	倒档齿轮	



No	Number of part	Quantity	Description	Applicability	Designation	名称	Remark
1	0630 531 217	1	30x 1.5		Retaining Ring	轴用弹性挡圈	
2	0735 455 012	1	30x 68x 26		Roller Bearing	短圆柱滚子轴承	
3	0769 144 031 9			one's option	Retaining Ring series	轴用弹性挡圈组	
3	0630 501 151		50x 3.2		Retaining Ring	轴用弹性挡圈	
3	0630 501 298		50x 3.15		Retaining Ring	轴用弹性挡圈	
3	0630 501 150		50x 3.1		Retaining Ring	轴用弹性挡圈	
3	0630 501 299		50x 3.05		Retaining Ring	轴用弹性挡圈	
3	0630 531 065		50x 3.0		Retaining Ring	轴用弹性挡圈	
3	0630 501 111		50x 2.95		Retaining Ring	轴用弹性挡圈	
3	0630 501 112		50x 2.9		Retaining Ring	轴用弹性挡圈	
3	0630 501 113		50x 2.85		Retaining Ring	轴用弹性挡圈	
3	0630 501 114		50x 2.8		Retaining Ring	轴用弹性挡圈	
3	0630 501 115		50x 2.75		Retaining Ring	轴用弹性挡圈	
3	0630 501 116		50x 2.7		Retaining Ring	轴用弹性挡圈	
3	0630 501 117		50x 2.65		Retaining Ring	轴用弹性挡圈	
3	0630 501 118		50x 2.6		Retaining Ring	轴用弹性挡圈	
3	0630 501 160		50x 2.55		Retaining Ring	轴用弹性挡圈	
3	0630 531 064		50x 2.5		Retaining Ring	轴用弹性挡圈	
3	0630 501 159		50x 2.45		Retaining Ring	轴用弹性挡圈	
3	0630 501 148		50x 2.4		Retaining Ring	轴用弹性挡圈	
3	0630 501 294		50x 2.35		Retaining Ring	轴用弹性挡圈	T49N. m
3	0630 501 147		50x 2.3		Retaining Ring	轴用弹性挡圈	
3	0630 501 295		50x 2.25		Retaining Ring	轴用弹性挡圈	
3	0630 501 146		50x 2.2		Retaining Ring	轴用弹性挡圈	
3	0630 501 296		50x 2.15		Retaining Ring	轴用弹性挡圈	

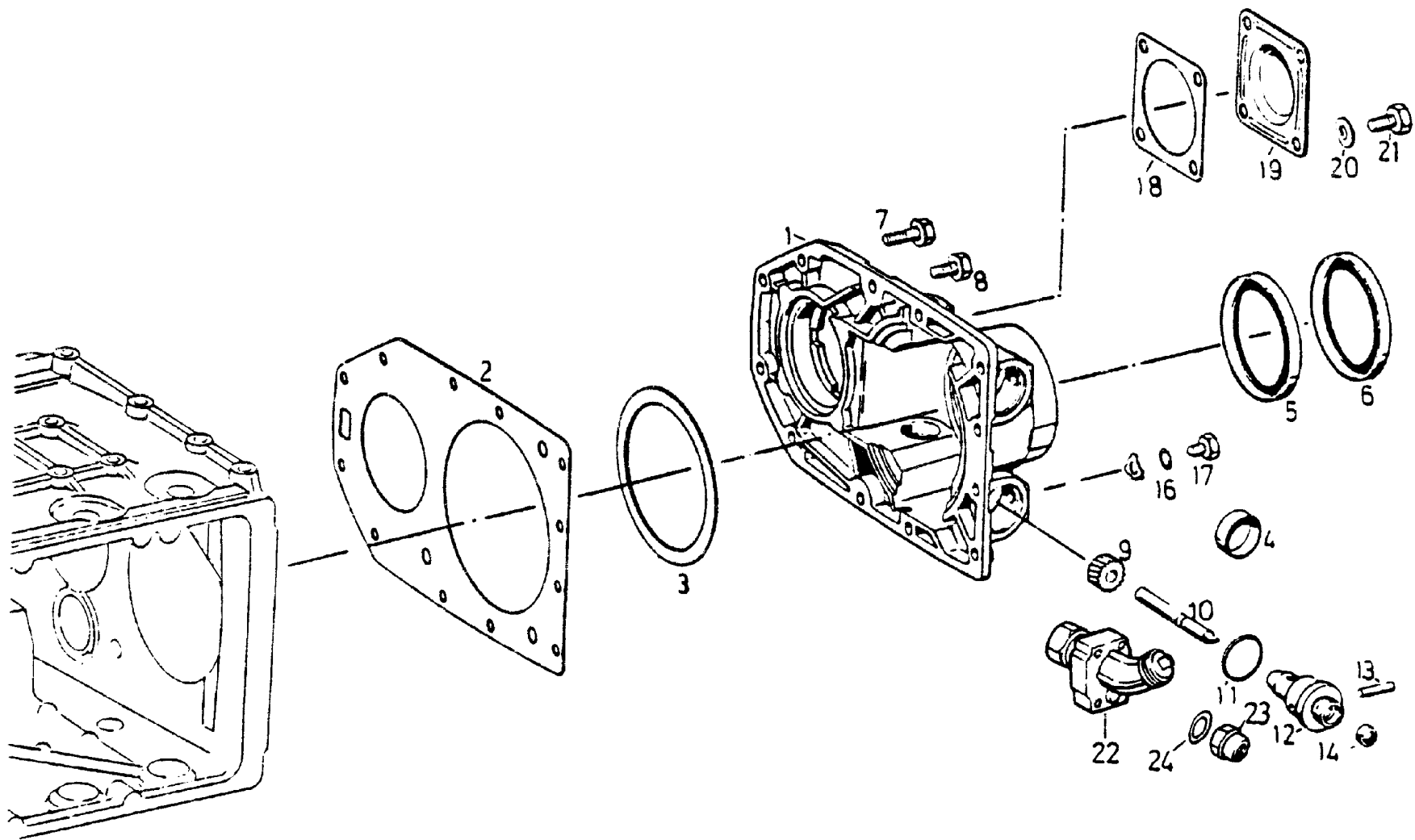


Nb	Number of part	Quantity	Description	Applicability	Designation	名称	Remark
3	0630 501 145		50x 2. 1		Restining Ring	轴用弹性挡圈	
4	0769 140 114 9			one's option	Shim series	六档同步锥毂垫圈组	
4	0730 002 780		5. 2		Shim	六档同步锥毂垫圈	
4	0730 002 777		4. 9		Shim	六档同步锥毂垫圈	
4	0730 002 776		4. 6		Shim	六档同步锥毂垫圈	
4	0730 002 778		4. 3		Shim	六档同步锥毂垫圈	
4	0730 002 680		4		Shim	六档同步锥毂垫圈	
4	0730 002 681		3. 7		Shim	六档同步锥毂垫圈	
4	0730 002 682		3. 5		Shim	六档同步锥毂垫圈	
4	0730 002 683		3. 3		Shim	六档同步锥毂垫圈	
4	0730 002 684		3		Shim	六档同步锥毂垫圈	
4	0730 005 557		2. 7		Shim	六档同步锥毂垫圈	
5	115 304 058	1			6G. Clutch Body	六档同步锥毂	
6	1297 304 402	4			Synchromizer Ring	三四五六档同步环	
7	115 304 056	1			Detend	五、六档同步齿座	
8	1311 304 021	6			Compression Spring	同步推块弹簧	
10	1311 304 020	6			Pressure Piece	同步推块	
12	1312 302 057	2			Sliding Sleeve	三四档同步滑套	
13	115 304 057	1			5G. clutch Body	五档同步锥毂	
14	115 304 062	1	Z= 29		6G. gear	二轴六档齿轮	
15	0735 320 499	1	62x 70x 40		Needle Bearing	滚针轴承	
16	1268 304 141	1			Bush	五档齿轮轴承座圈	
17	115 304 065	1	Z= 30		4G. gear	二轴四档齿轮	
18	0735 320 204	1	58x 65x 36		Needle Bearing	四档齿轮滚针轴承	
19	1312 304 027	2			3/ 4G. Clutch Body	三四档同步锥毂	
20	0769 144 004 9	1		one's option	Shim series	三、四档同步齿座挡圈组	
20	0630 501 050		80x 2. 5		Shim	三、四档同步齿座挡圈	
20	0630 531 301		80x 2. 3		Shim	三、四档同步齿座挡圈	

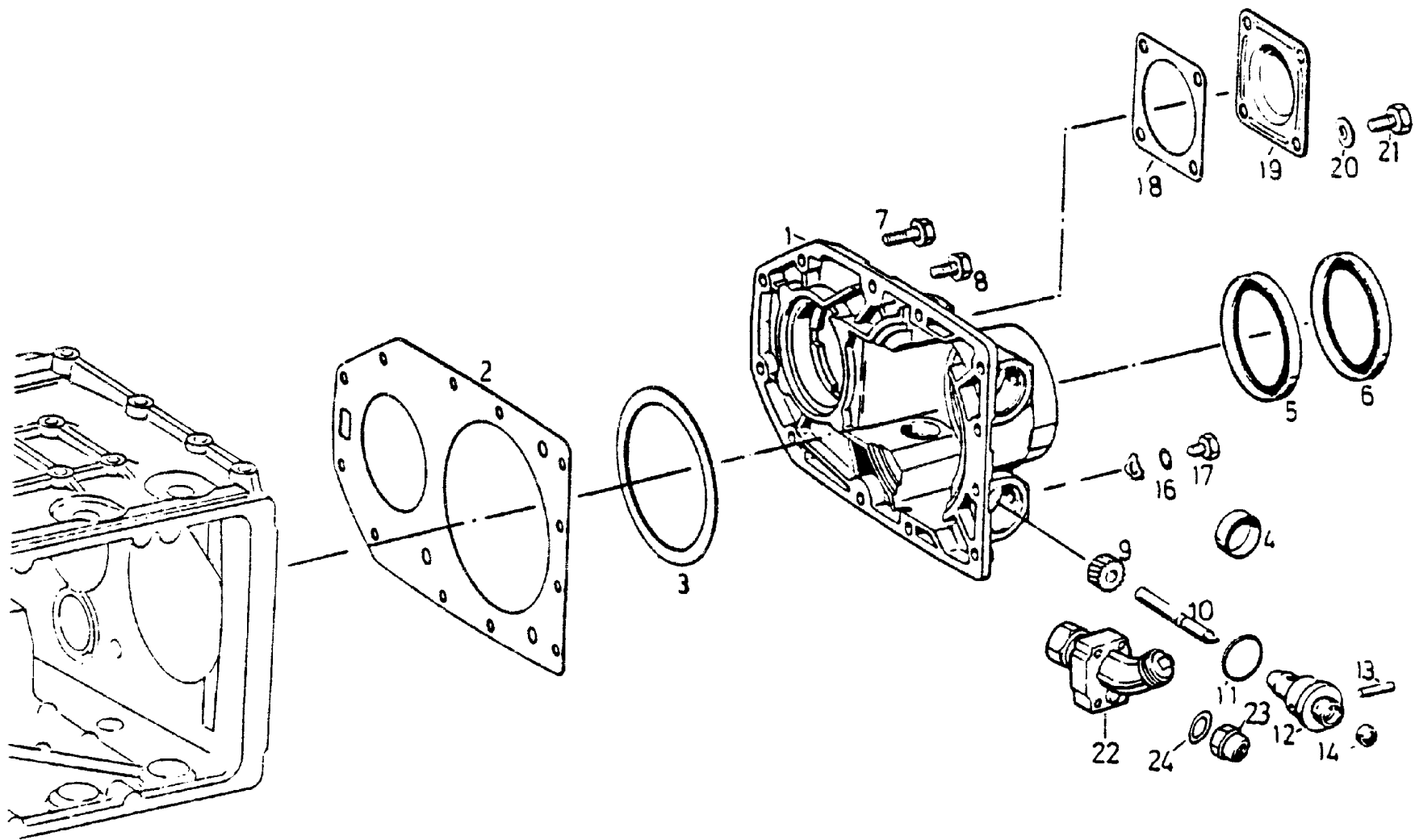




No	Number of part	Quantity	Description	Applicability	Designation	名称	Remark
20	0630 501 304		80x 2. 2		Shim	三四档同步齿座挡圈	
21	115 304 055	1			3/4G. Synchron. Body	三四档同步齿座	
22	115 304 068	1			3G. Gear	二轴三档齿轮	
23	0735 320 407	1			3G. Needle Cage	三档齿轮滚针轴承	
24	1268 304 274	1			Main Shaft	第二轴	
25	0735 320 111	1			2G. Needle Cage	二档齿轮滚针轴承	
26	1126 304 002	1			2G. Gear	二轴二档齿轮	
27	1126 304 006	1			1/2G. Synchronizer Body	一、二档齿座	
31	1126 304 004	1			1/2G. Sliding Sleeve	一、二档接合套	
32	0769 144 002 9			one's option	Retaining Ring series	一、二档齿座挡圈组	
32	0630 501 054		90x 3. 0		Retaining Ring	一、二档齿座挡圈	
32	0630 531 302		90x 2. 9		Retaining Ring	一、二档齿座挡圈	
32	0630 531 303		90x 2. 8		Retaining Ring	一、二档齿座挡圈	
33	0735 320 206	1	80x 88x 46		1G. Needle Cage	一档齿轮滚针轴承	
34	1126 304 001	1			1G. Spur Gear	二轴一档齿轮	
35	1250 304 006	1			Rg. Clutch Body	二轴倒档接合齿座	
36	0730 160 344	1			Bush	二轴倒档齿轮轴承内座圈	
37	0735 320 154	1	84x 96x 36. 5		Needle Cage	二轴倒档滚针轴承	
38	115 304 079	1			Rg. Spur Gear	二轴倒档齿轮	
39	0635 333 049	1	70x 150x 35		Ball Bearing	单列向心球轴承	3G50314
40	0630 503 020	1	SP150		Snap Ring	轴承止动环	
41	1250 304 198	1			Speedometer Worm	里程表蜗杆	
42	1268 304 149	1			Output Flange (plane)	输出法兰	
42	1268 304 149- 1	1			Φ165 Toothed Flange	输出法兰 Φ165 端面齿	
43	1240 304 117	1	M12x 30		Washer	轴端挡板	T 60N. m
44	0636 016 012	2			Hexagon Screw	螺栓	
45	1250 304 353	1			Locking Plate	轴端锁片	



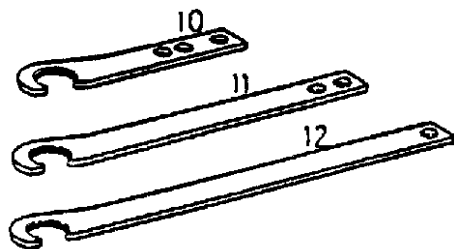
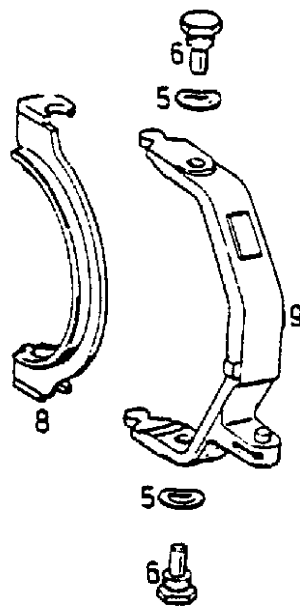
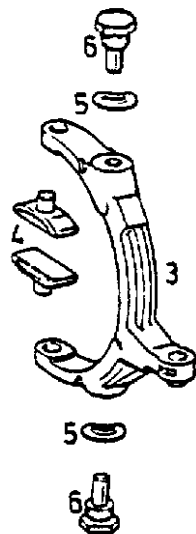
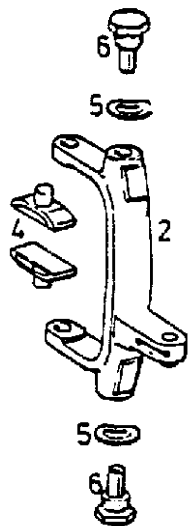
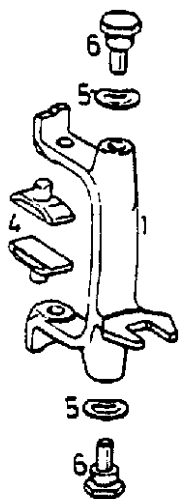
No	Number of part	Quantity	Description	Applicability	Designation	名称	Remark
1	1268 308 012	1			Rear Cover	后盖	
2	1268 308 003	1			Gasket	衬垫	
3	0769 140 05( 9			one's option	Shim series	调整垫片组	
	0730 002 665		A= 1.7		Shim	调整垫片	
	0730 002 666		A= 1.6		Shim	调整垫片	
	0730 002 667		A= 1.5		Shim	调整垫片	
	0730 002 668		A= 1.4		Shim	调整垫片	
	0730 002 669		A= 1.3		Shim	调整垫片	
	0730 002 670		A= 1.2		Shim	调整垫片	
	0730 002 671		A= 1.1		Shim	调整垫片	
	0730 002 672		A= 1.0		Shim	调整垫片	
4	0630 361 046	1	42DIN 443PHR		Sealing Cap	堵盖	
5	0734 310 109	1	85x 105x 10		Shaft Seal	输出轴内油封总成	
6	0734 300 093	1	85x 105x 12/10		Shaft Seal	输出轴外没封总成	
7	0636 015 127	8	M10x 30		Hexagon Screw	螺栓	T49N. m
8	0636 015 110	4	M10x 20		Hexagon Screw	螺栓	T49N. m
9	1250 308 057	1			Speedmeter Pinion	里程表小齿轮	
10	1250 308 007	1			Speed Com. Shaft	里程表轴	
11	0634 316 057	1			O- Ring	O 形密封圈	
12	1250 308 017	1			Speed Com. Dec	里程表接头	
13	0631 306 713	1			Parallel Pin	圆柱销	
14	0634 300 185	1	10x 15x 3		Shaft Seal	油封总成	
16	1250 308 130	1			Screw	紧定螺钉	T25N. m
17	0737 006 078	1	M10x 1		Hexagon Nut	连接螺母	T35N. m
18	1238 308 201	1			Gasket	衬垫	



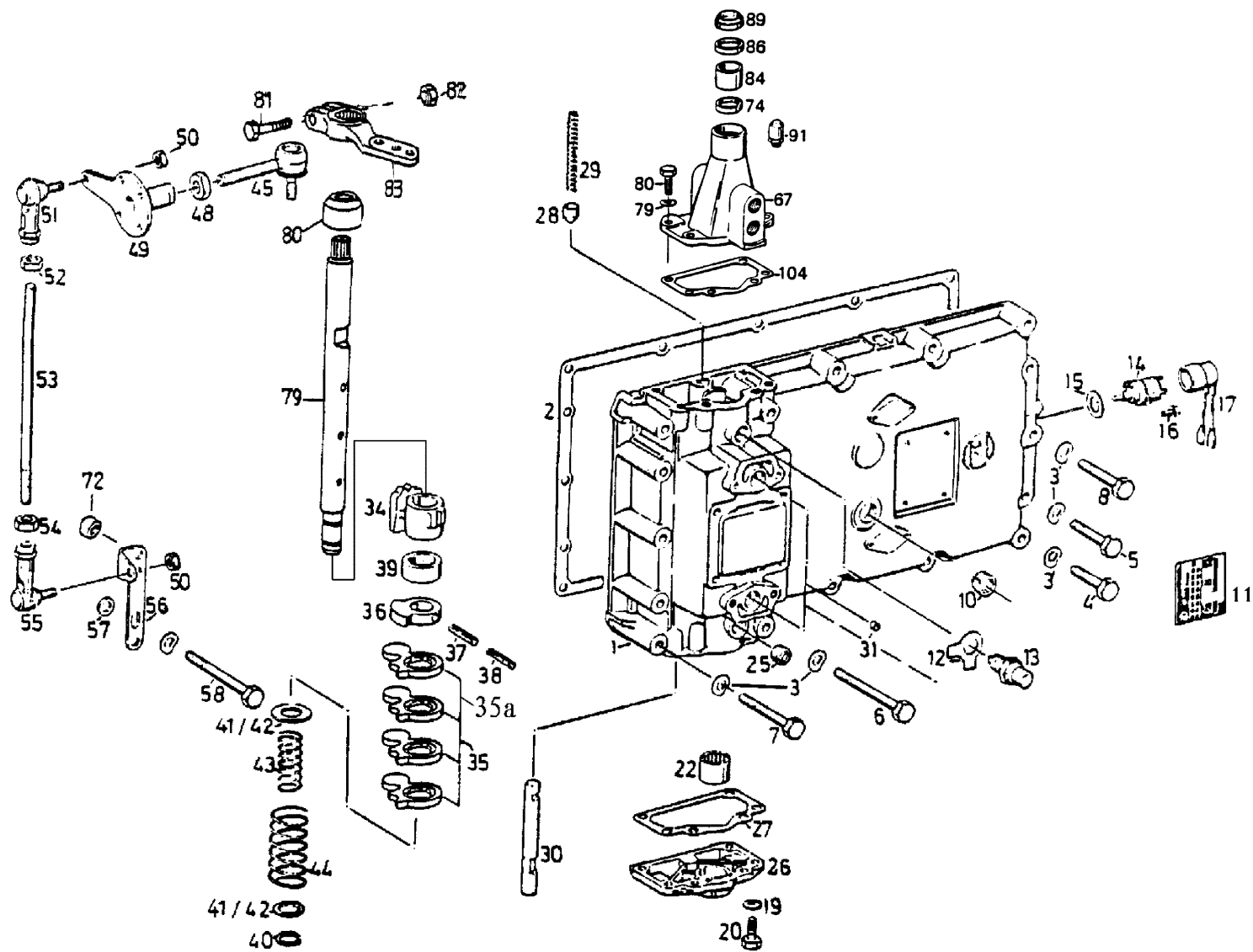
A5- 4

## S6- 120 REAR COVER/ 后盖

Nb	Number of part	Quantity	Description	Applicability	Designation	名称	Remark
19	1268 308 165	1			Cover	取力孔盖	
21	0636 016 005	4	M12x 20		Hexagon Screw	螺栓	
22	0731 101 250	1	i= 1. 250		Speed Gearbox	里程表二级传动装置	
23	0501 308 001	1			Cover	防护罩	

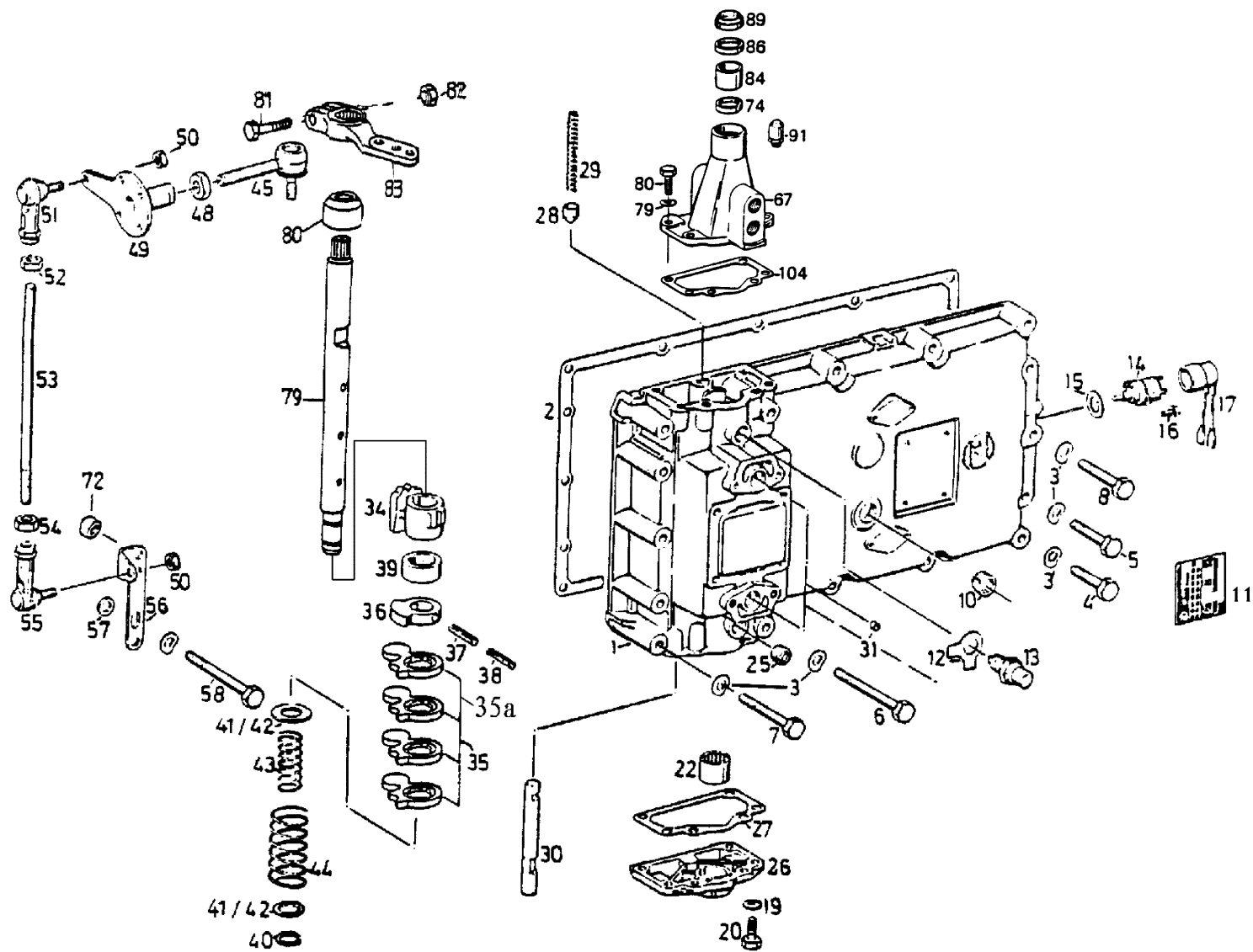


No	Number of part	Quantity	Description	Applicability	Designation	名称	Remark
1	115 306 009	1			5/6G. Gear Shift Fork	五六档拨叉	
2	115 206 006	1			3/4G. Gear Shift Fork	拨叉组件(三、四档)	
3	1268 206 040	1			1/2G. Gear Shift Fork	拨叉组件(一、二档)	
4	115 306 006	4			Sliding Pad	换档拨块	
4a	1126 306 001	2			1/2G. Sliding Pad	一、二档换档拨块	
5	0730 300 005	8			Spring Washer	波形弹性垫圈	
6	1252 306 077	6			Articulat Bolt	拨叉支承销	T220N. m
6a	1240 306 242	2			Articulat Bolt	拨叉支承销 一、二档	T220N. m
8	1268 306 035	1			Sliding Bow	倒档拨环	
9	1246 206 008	1			Dang Link	倒档拨叉组件	
10	1269 306 022	1			3/4G. Dang Link	三、四换档拉杆	
11	1268 306 096	1			1/2G. Dang Link	一、二档换档拉杆	
12	1240 306 214	1			Rg. Gear Shift Fork	倒档换档拉杆	

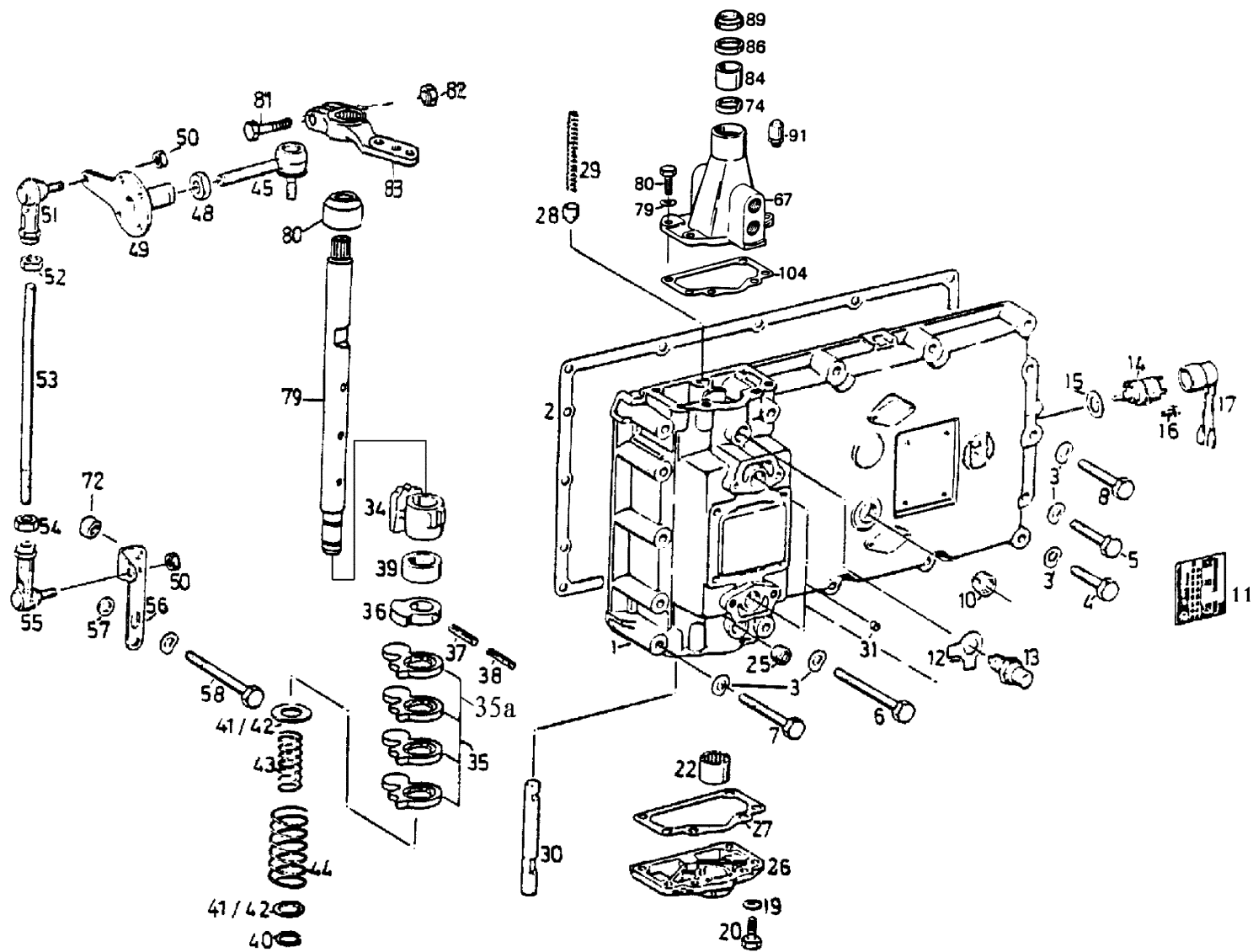




No	Number of part	Quantity	Description	Applicability	Designation	名称	Remark
1	1250 307 450	1			Gear Shift Cover	后盖	
2	1250 306 182	1			Gasket	衬垫	
3	0630 302 091	14	B10		Spring Washer B10	调整垫片组	
4	0636 010 172	6	M10x 55		Hexagon Screw	螺栓	T49N. m
5	0636 010 174	2	M10x 60		Hexagon Screw	螺栓	T49N. m
6	0636 010 200	2	M10x 110		Hexagon Screw	螺栓	T49N. m
7	0636 010 190	3	M10x 90		Hexagon Screw	螺栓	T49N. m
8	0636 010 179	1	M10x 70		Hexagon Screw	螺栓	T49N. m
10	0736 303 005	1	M24x 1.5		Screw Plug	螺塞	
11	112 365 064	1			Type Plate	产品铭牌	
12	0630 603 010	1	17		Looking Platte	止动垫圈	
13	1250 207 254	1	240N		Spring loaded screw	倒档锁	T60N. m
14	0501 203 944	1			Switch	倒档信号开关	
15	0501 309 183	1			Gasket	开关密封垫	
16	0636 015 020	2	M5x 12		Hexagon Screw	螺栓	T6N. m
17	1240 307 441	1			Plate	开关压板	
19	0630 302 090	6	B8		Spring washer	波形弹性垫圈	
20	0630 015 092	10	M8x 28		Hexagon Screw	螺栓	T25N. m
22	0635 300 053	1	25x 32x 20		Niddle bearing	滚针轴承	
25	0636 301 041	1	M16x 1.5		Screw	螺塞	
26	1240 307 424	1			Cover	换档轴端盖	
27	1252 307 060	1			Gasket	衬垫	
28	1250 307 600	1			Detent Bolt	自锁销	
29	0732 041 244	1			Compression Spring	自锁弹簧	
30	1240 307 346	1			Shaft	互锁轴	

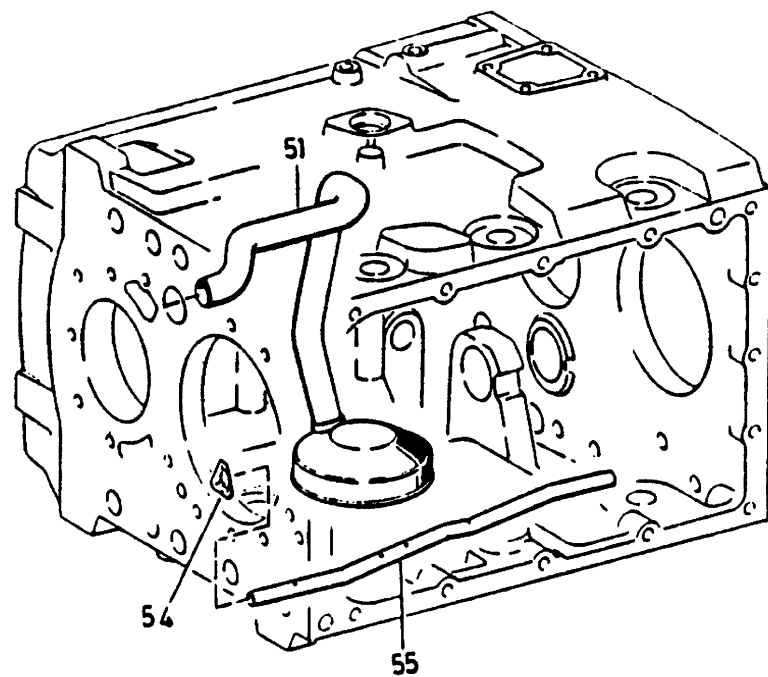
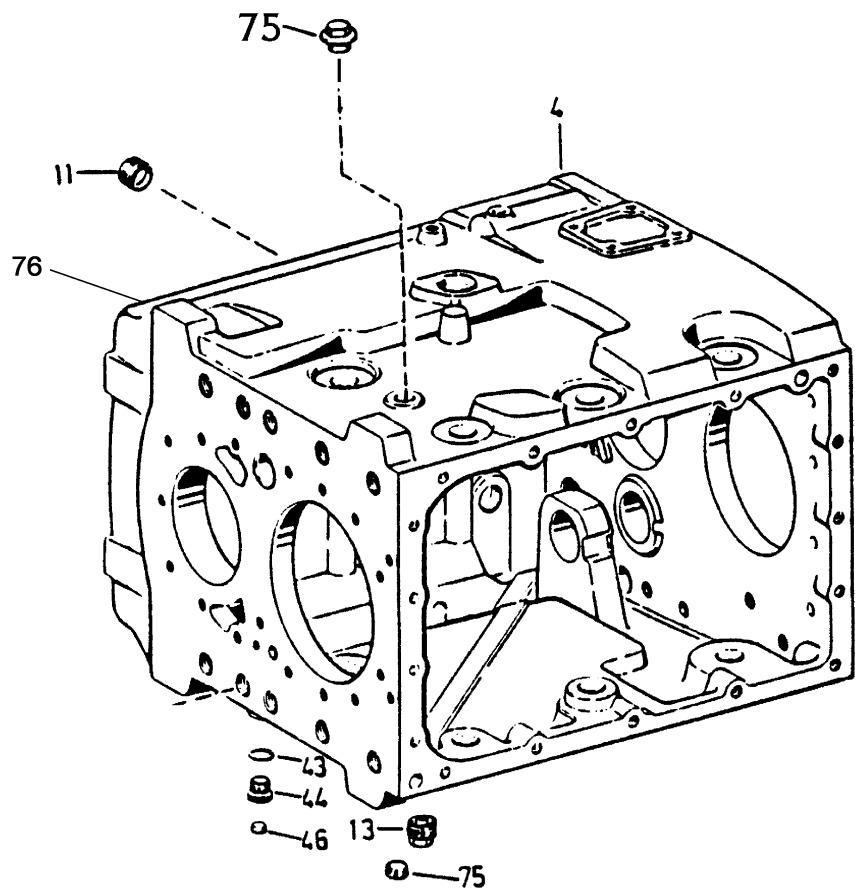


Nb	Number of part	Quantity	Description	Applicability	Designation	名称	Remark
31	0730 361 073	1			Sealing Cap	堵盖	
33	0735 470 007	4	10.0x 8.0		Roller	驱动销	
34	115 307 001	1			Detent Segment	扇形自锁块	
35	1240 307 338	3			Driver	换档驱动板	
35a	1240 307 339	1			5/ 6G. Driver	五、六档驱动板	
36	1240 307 374	1			Driver	互锁轴拨块	
37	0631 329 072	1	6x 40		Slotted Spring Pin	弹性圆柱销	
38	0631 329 145	1	3.5x 40		Slotted Spring Pin	弹性圆柱销	
39	0730 061 091	1	13.5		Stop Bush	限位隔套	
40	0630 532 138	1	JV24		V- Ring	V 型弹性挡圈	
41	0730 104 083	1	2.00		Washer	大弹簧座圈	
42	0730 001 156	1			Washer	小弹簧座圈	
43	0732 040 022	1			Compression Spring	换档轴回位小弹簧	
44	0732 040 237	1			Compression Spring	换档轴回位大弹簧	
45	0501 204 714	1			Ball Joint	摇臂球接头	
45a	0637 011 532	1	M10x 1		Locking Nut	锁止螺母	T40N.m
49	1240 207 113	1			Connect Ion Part	联接板组件	
50	0637 011 527	2	M10		Locking Nut	锁止螺母	T50N.m
51	0732 107 019	1			Ball joint ( left)	支承杆球接头 左螺纹	
52	0637 006 091	1			Hexagon Nut	六角螺母	T50N.m
53	0736 620 056	1			Draw Bar	支承杆	
54	0637 006 027	1	M12		Hexagon Nut	六角螺母	T50N.m
55	0732 107 018	1			Ball joint ( left)	支承杆球接头	
56	1269 307 350	1			Support Plate	支承板	
57	0630 001 014	1	10.5		Washer	垫圈	



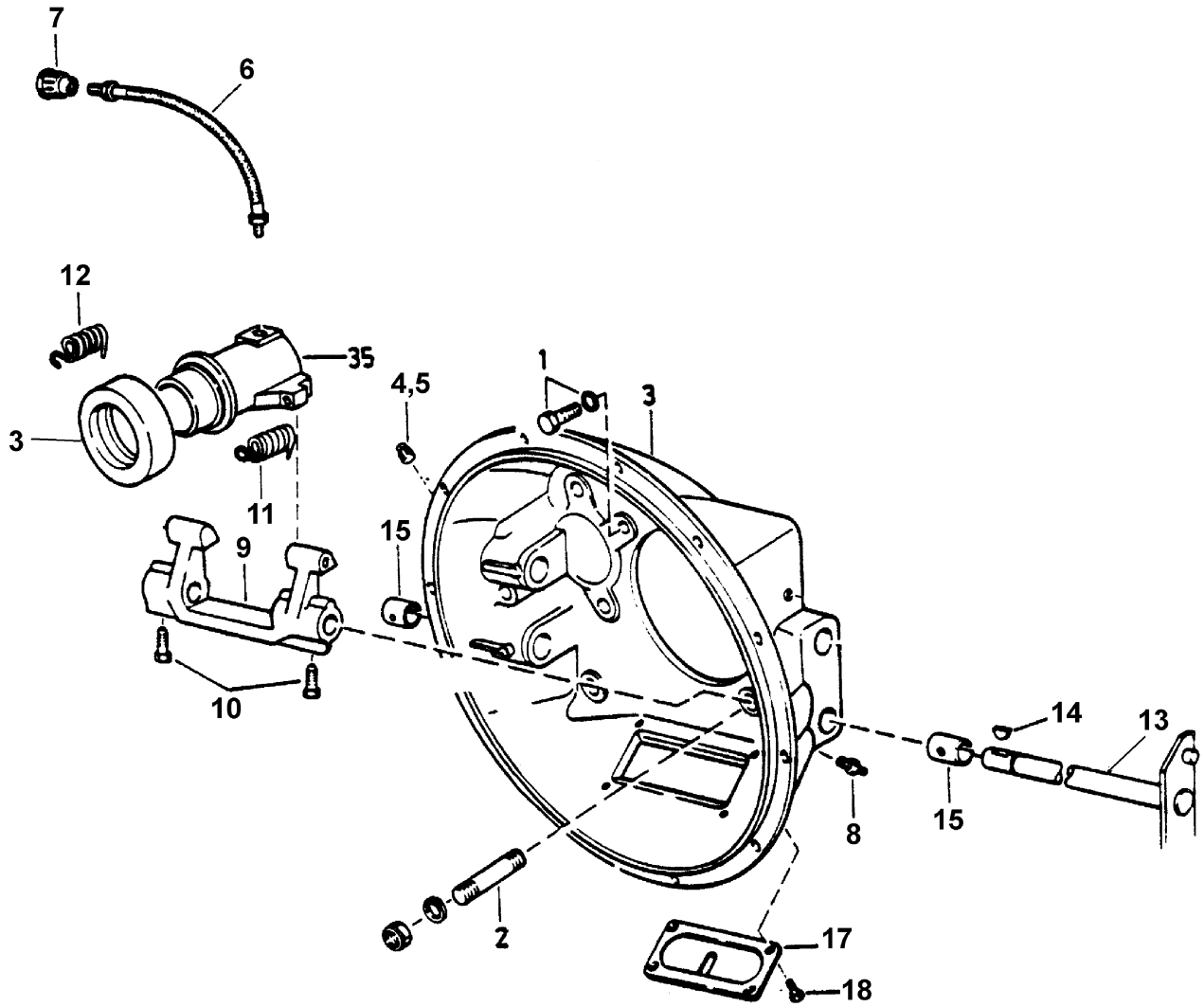
No	Number of part	Quantity	Description	Applicability	Designation	名称	Remark
58	0636 010 192	2	M10x 95		Hexagon Screw	螺栓	T59N. m
67	1250 307 634	1			Gear Shift Housing	短换档轴座	
79	1240 307 433	1			Gear Shift Lever	换档轴	
80	1238 307 411	1			Gear Shift Shaft	防护罩	
81	0636 010 159	1	M10x 40		Protecting Cap	螺栓	
82	0637 006 102	1	M10		Hexagon Screw	六角螺母	T49N. m
83	1250 307 662	1			Hexagon Nut	换档摇臂	
84	0635 300 053	1	HK2820 25x 32x 20		Needle Sleeve	滚针轴承	
86	0634 300 302	1	25x 35x 7B		Shaft Seal	油封总成	
89	0634 307 367	1	25x 35x 7x 10		Rod Wiper	防尘密封圈总成	
91	0732 612 005	1			Breather	通气塞总成	

壳体



No	Number of part	Quantity	Description	Applicability	Designation	名称	Remark
4	1269301125	1			Transm. Housing	变速器壳体	
11	0736301022	4	M24x 1.5		Screw plug	内六角螺塞	
13	0736305016	1			Screw plug	放油螺栓组件	
43	0634801044	2	A 16x 20DIN7		Seal ring	垫密封圈	
44	0636302016	2	M16x 1.5DIN		Screw plug	圆柱头内六角螺塞	
46	0730361103	1			Sealing cover	堵塞	
51	0501202407				Suction strainer	吸油管组件	
54	0630531387	1			Triangular ret.	喷油管锁片	
55	1269301124	1			Injector tube	喷油管	
75	0636301048	2	M18x 1.5DIN		Screw plug	内六角螺塞	
76	0736303005				Screw plug	加油孔螺塞	
80	2159107500 B	1		For cable shifting	Bracket C	软轴换挡机构支架总成	
81	2159207000 B	1		For cable shifting	Bracket	支架组件	
82	2159307002	1		For cable shifting	Plate	筋板	
83	2159307001	1		For cable shifting	Pin	支承销	
84	2159307007	1		For cable shifting	Bracket	支架	
85	2159307004	1		For cable shifting	Pin	支承销	
86	2159107000 G	1		For cable shifting	Pneu. assist. Operating	换挡气助力机构总成	
87	2159307006	1		For cable shifting	Lever	摇臂	
88	0627207001	1		For cable shifting	Assist. power cylinder	换挡助力器总成	
89	2159207003	1		For cable shifting	Bracket	支架总成	
90	Q150B1225	2		For cable shifting	Screw	螺栓 M12x 25	
91	Q40312	2		For cable shifting	Washer	弹簧垫圈 12	

\* MARK "A" ——Gearbox ZF 5S- 111GR (i= 13.04~ ), Max. input torque 1300N.m; "B" ——Gearbox ZF 5S- 150GR (i= 13.04~ ), Max. input torque 1500N.m  
 "C" ——Gearbox ZF 4S- 130GR (i= 13.15~ ), Max. input torque 1300N.m; "D" ——Gearbox ZF 5S- 111GR (i= 9.73~ 0.73), Max. input torque 1300N.m  
 "F" ——Gearbox ZF 5S- 150GR (i= 9.73~ 0.73), Max. input torque 1500N.m; "G" ——Gearbox ZF 4S- 130GR (i= 11.67~ ), Max. input torque 1300N.m

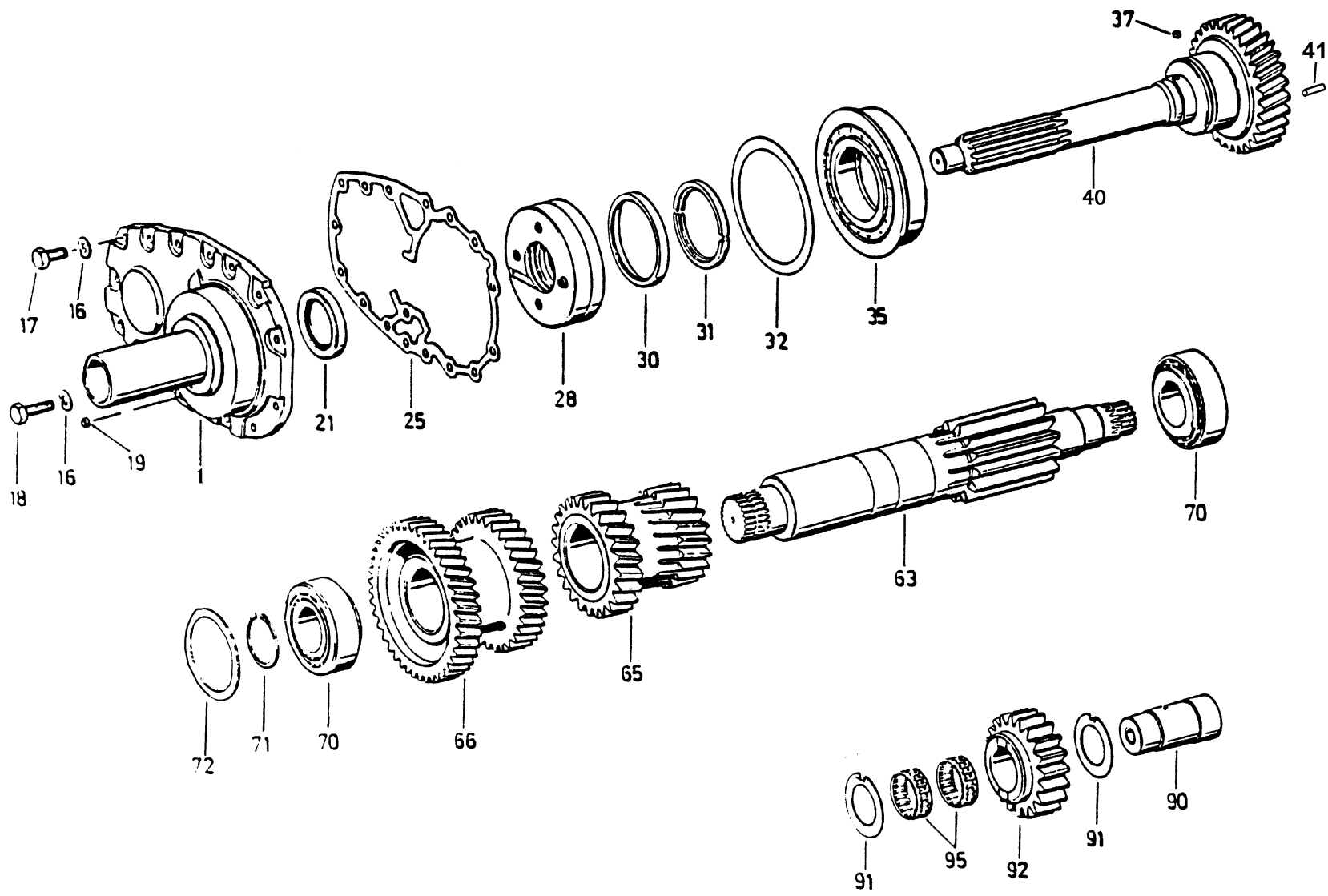




No	Number of part	Quantity	Description	Applicability	Designation	名称	Remark
1	1096302089	1		A1	Clutch Housing	SAE1# 离合器壳	
1	2159302008			B1	Clutch Housing	离合器壳 SAE1#	
2	Q151B1895TF2	8			Screw	六角头螺栓 M18x 1.5x 60	
3	1096302076	1			Bearing	分离轴承	
4	312322002	1			Screw	空心螺栓	
5	0634801152	1			Gasket	垫圈 A10x 13.5	
6	99012210065	1			Hose	软管	
7	109301075	1			Nozzel joint	油嘴接头	
8	Q700RQ1	1			Grease nipple	直通式滑脂嘴	
9	1156302010	1		A1	Fork	分离拨叉	
9	2159302009	1		B1	Fork	分离拨叉	
10	1156302011	2		A1	Screw	紧定螺钉	
11	1156302013	1		A1	Spring	回位弹簧	
12	1156302014	1		A1	Spring	回位弹簧	
13	2159202001	1		A1	Fork Shaft	拨叉轴组件	
13	2159302013	1		B1	Fork Shaft	分离叉轴	
14	1156302006	2		A1	Cotter	平键	
15	1156302012	2		A1	Bush	轴套 2528	
15	2159302012	2		B1	Bush	轴套 2528	
16	108302062	2		A1	Gasket	密封环	
17	108302052	2		A1	Plate	检查孔盖板	
17	2159302052	2		B1	Plate	检查孔盖板	
18	0636015020	4			Screw	螺栓 M5x 12	
19	2159302011	1		B1	Bracket	支承座	
20	116302027	2		B1	Snap ring	轴用弹性挡圈 1.2	

\* A1— for  $\Phi 420$  clutch B1— for  $\Phi 430$  clutch

一轴，中间轴及齿轮



## A6- 3

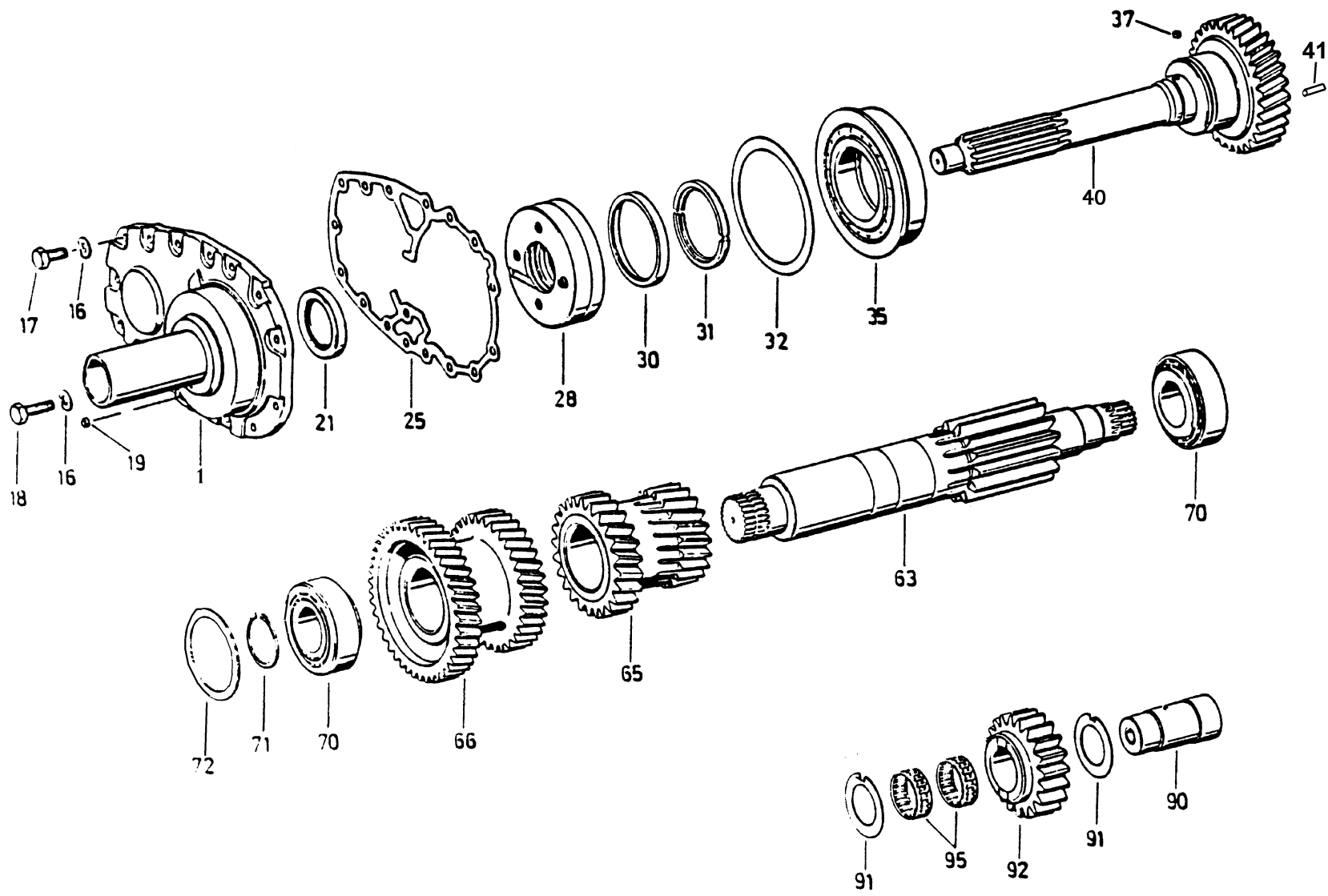
## 5S- 111GP、5S- 150GP、4S- 130GP INPUTSHAFT, LAYSHAFT AND WHEELS

## 一轴, 中间轴及齿轮

No	Number of part	Quantity	Description	Applicability	Designation	名称	Remark
1	2159302003	1		B, F	Cover	前端盖	
1	1269302159	1		A, D	Cover	前端盖	
1	1269302275	1		C, G	Cover	前端盖	
17	0636015110	15	M10× 20		Screw	前端盖螺栓	
18	0636015120	1	M10× 25		Screw	前端盖螺栓	
19	0630361065	1			Plug	前端盖堵塞	
21	0750111002	1		A, D	Shaft seal	一轴油封总成	
21	0734310110	1		C, G, B, F	Shaft seal	一轴油封总成	
25	1269302161	1			Gasket	前端盖衬垫	
26	1269202027	1		C, G	Pump	油泵	
26	1269202104	1		A, B, D, F	Pump	油泵	
30	0730061890	1			Locking ring	锁止环	
31	0769145010	1			Spilt ring	半圆挡环组	
32	0769140013	1		C, G	Spacer disc series	调整垫片组	
32	0730102503	1		A, B, D, F	Spacer disc series	调整垫片组	
35	0735410237	1		C, G	Roller bearing	第一轴短圆柱滚子轴承	
35	0750118129	1		A, D	Roller bearing	第一轴短圆柱滚子轴承	
35	0750118129- 1	1		B, F	Roller bearing	第一轴短圆柱滚子轴承	
37	0635470012	1	7× 7		Cyl. roller	圆柱销	
40	2128221001	1		C	Drive shaft set	第一轴组件	
40	2128221002	1		G	Drive shaft set	第一轴组件	
40	1269296912	1		A, D	Input shaft set	第一轴组件	
40	2159303004	1		B, F	Input shaft set	第一轴	
63	1292303004	1		A, D	Lay shaft	中间轴	
63	2128303006	1		C, G	Lay shaft	中间轴	

210

一轴，中间轴及齿轮



A6- 3

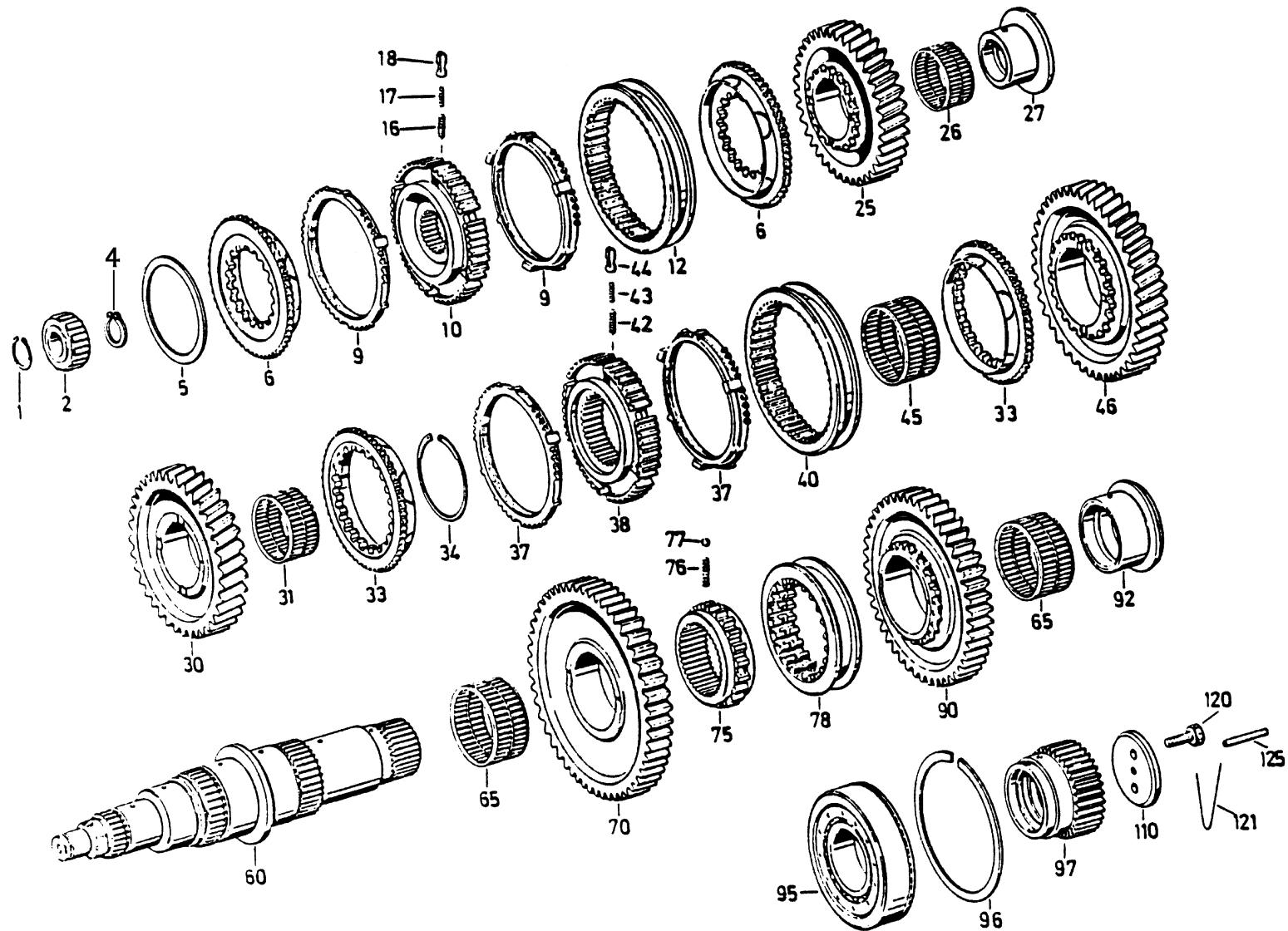
5S- 111GP、5S- 150GP、4S- 130GP INPUTSHAFT, LAYSHAFT AND WHEELS

一轴, 中间轴及齿轮

No	Number of part	Quantity	Description	Applicability	Designation	名称	Remark
63	1292303004- 1	1		B, F	Lay shaft	中间轴	
65	1292303006	1		A, D	Gear 1- 2 gear	一二档齿轮	
65	1292303006	1		C, G	Gear 1- 2 gear	中间轴一二档齿轮	
65	2159303002	1		B, F	Gear 1- 2 gear	中间轴一二档齿轮	
66	2128303001	1		C	Double gear	三四档齿轮	
66	2128303008	1		C	Double gear	三四档齿轮	
66	1292303005	1		A, D	Gear 3, 4 gear	中间轴三四档齿轮	
66	2159303003	1		B, F	Gear 3, 4 gear	中间轴三四档齿轮	
70	0735370011	1		B, C, F, G	Roller bearing	圆锥滚子轴承	
70	0750117010	1		A, D	Roller bearing	圆锥滚子轴承	
71	0769144033	1			Locking ring	轴用弹性挡圈组	
72	1269140004	1			Spacer disc	调整垫圈组	
90	1269305003	1			Reverse gear	倒档轴	
91	0730150064	2			Guard plate	倒档轴	
92	2128305001	1		C, G	Reverse gear	倒档齿轮止推垫片	
92	1292305002	1		A, B, D, F	Reverse gear	倒档齿轮	
95	0735320492	2		B, C, F, G	Needle roller bearing	倒档齿轮滚针轴承	
95	0750115011	2		A, D	Needle roller bearing	倒档齿轮滚针轴承	

212

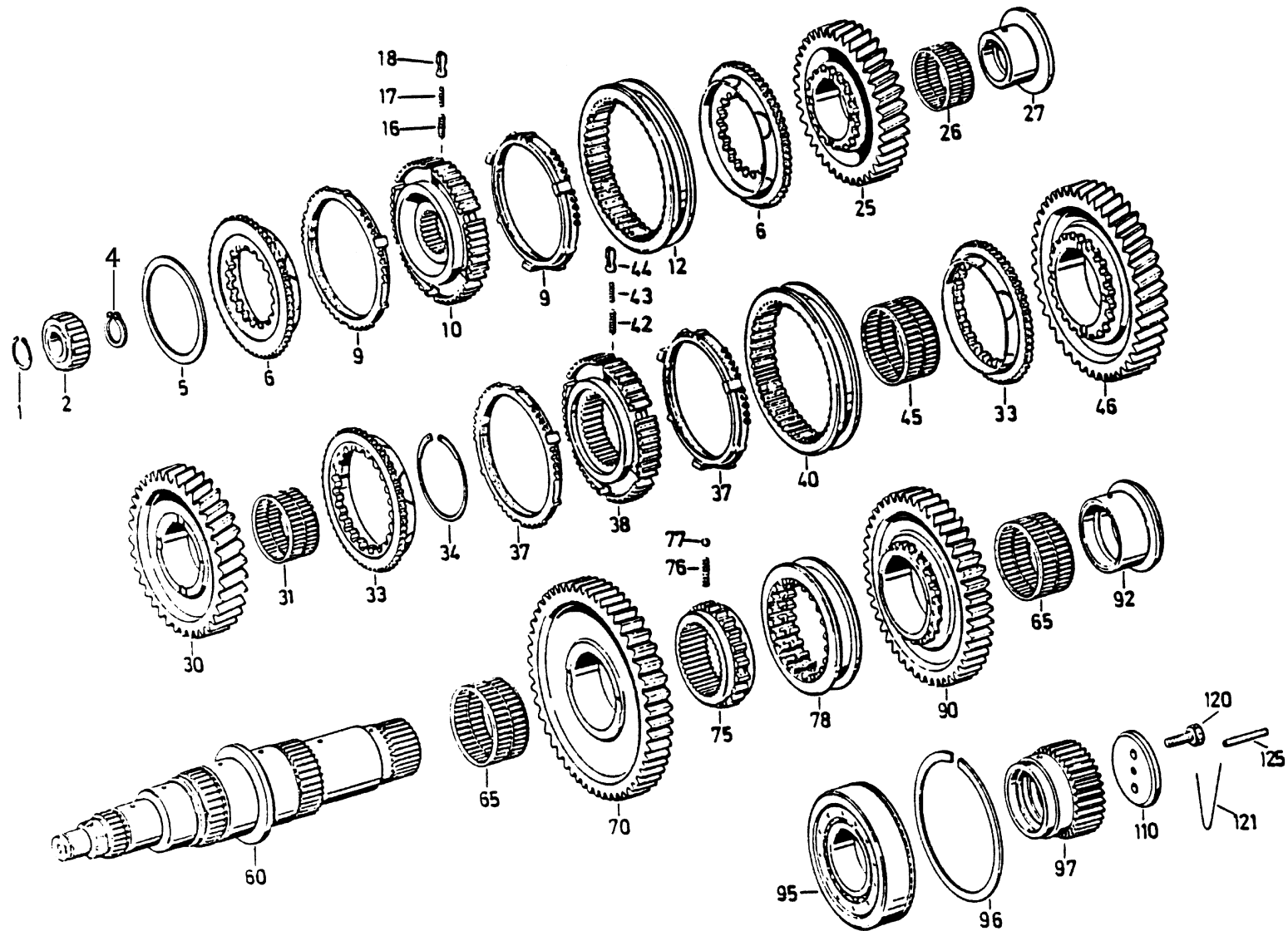
二轴，同步器及齿轮



A6- 4 5S- 111GP、5S- 150GP、4S- 130GP MAIN SHAFT AND WHEELS 二轴, 同步器及齿轮

No	Number of part	Quantity	Description	Applicability	Designation	名称	Remark
1	0630501028	1	30x 1.5		Locking ring	轴用弹性挡圈	
2	0750116019	1		A, D	Roller bearing	短圆柱滚子轴承	
2	0735355014	1		C, G	Roller bearing	短圆柱滚子轴承	
2	0570304002	1		B, F	Roller bearing	短圆柱滚子轴承	
4	0769144033	1			Circclip	轴用弹性挡圈组	
5	0769140115	1			Washer	调整垫圈组	
6	1268304142	1		C, G	Clutch hub 4th gear	四档同步锥毂	
6	1269304196	2		A, D	Clutch hub 3, 4 gear	三、四档同步锥毂	
6	1310302045	2		B, F	Clutch hub 3, 4 gear	三、四档同步锥毂	
7	1250304292	1		C, G	Clutch hub 3rd gear	三档同步锥毂	
9	1272304076	2		C, G, A, D	Synchr. ring	同步环	
9	1268304594	1		B, F	Synchr. ring	同步环	
10	1268304143	1		C, G	Detend	三四档同步齿座	
10	1292304041	1		A, D	Detend 3, 4 gear	三四档同步齿座	
10	1310304158	1		B, F	Detend 3, 4 gear	三四档同步齿座	
12	1272304077	1		A, D, C, G	Sliding sleeve	同步滑套	
12	1310304195	1		B, F	Sliding sleeve	同步滑套	
16	0732040385	3		A, D, C, G	Helical spring	推块外弹簧	
16	1311304021	3		B, F	Helical spring	推块外弹簧	
17	0732040386	3			Helical spring	推块内弹簧	
18	1240304278	3			Pressure piece	同步推块	
18	1311304020	3		D, F	Pressure piece	同步推块	
25	2128304001	1	Z= 34	C, G	Helical gear	二轴三档齿轮	
25	1292304047	1		A, D	Gear 3rd gear	二轴三档齿轮	
25	2129304005	1		B, F	Gear 3rd gear	二轴三档齿轮	
26	0735320314	1		C, G	Needle bearing 3rd gear	三档齿轮滚针轴承	

二轴，同步器及齿轮



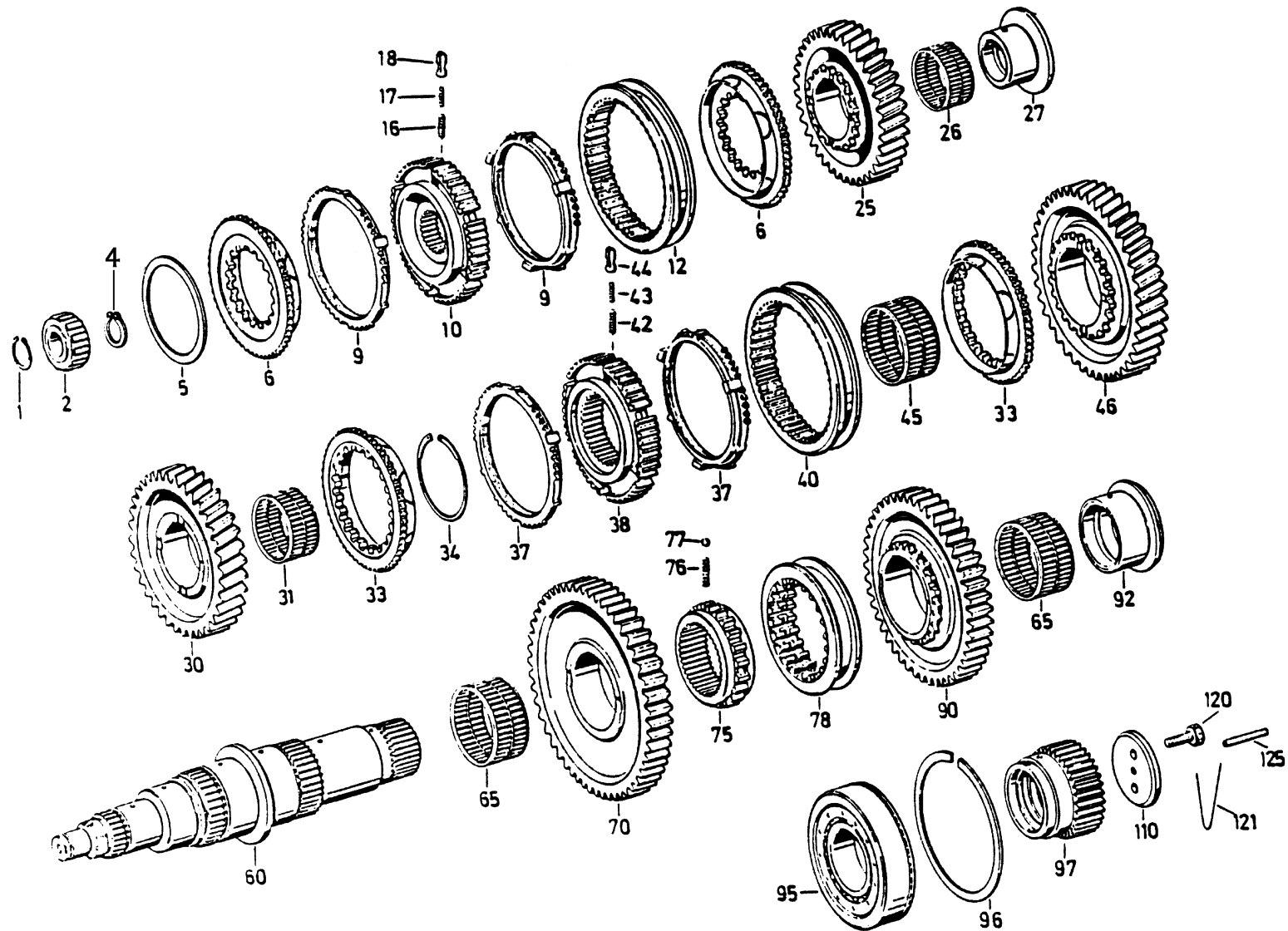


A6- 4 5S- 111GP、5S- 150GP、4S- 130GP MAIN SHAFT AND WHEELS 二轴,同步器及齿轮

Nb	Number of part	Quantity	Description	Applicability	Designation	名称	Remark
26	0735320499	1		A, B, D, F	Needle bearing 3rd gear	三档齿轮滚针轴承	
27	115304009	1		C, G	Bush	二档齿轮轴承座圈	
27	1269304197	1		A, D	Bush	轴承座圈	
27	2159304010	1		B, F	Bush	轴承座圈	
30	2128304016	1	Z= 38		Helical gear	二轴二档齿轮	
30	1292304046	1		A, D	Gear 2nd gear	二轴二档齿轮	
30	2159304004	1		B, F	Gear 2nd gear	二轴二档齿轮	
31	0735320418	1			Needle cage	二档齿轮滚针轴承	
31	0735320465	1		A, D	Needle bearing 2nd gear	二档齿轮滚针轴承	
31	K 808840	1		B, F	Needle bearing 2nd gear	二档齿轮滚针轴承	
33	1250304351	2		A, D, C, C	Clutch hub 1, 2 gear	一二档同步锥毂	
33	1312304027	2		B, F	Clutch hub 1, 2 gear	一二档同步锥毂	
34	115144034	nB			V- ring	轴用弹性档圈组	
37	1272304076	2		A, D, C, F	Synchr. ring	同步环	
37	1297304402	2		B, F	Synchr. ring	同步环	
38	115304045	1			Detend	一二档同步齿座	
38	1292304052	1		A, D	Detend 1st- 2nd gear	一二档同步齿座	
38	2159304011	1		B, F	Detend 1st- 2nd gear	一二档同步齿座	
40	1272304077	1			Sliding sleeve	一二档同步滑套	
40	1240304375	1		A, D	Sliding sleeve 1, 2 gear	一二档同步滑套	
40	1312302057	1		B, F	Sliding sleeve 1, 2 gear	一二档同步滑套	
42	0732040385	3		A, D, C, C	Helical spring	推块外弹簧	
42	1311304021	3		B, F	Helical spring	推块外弹簧	
43	0732040386	3			Helical spring	推块内弹簧	
44	1240304278	3		A, D, C, C	Pressure piece	同步推块	
44	1311304020	3		B, F	Pressure piece	同步推块	

216

二轴，同步器及齿轮

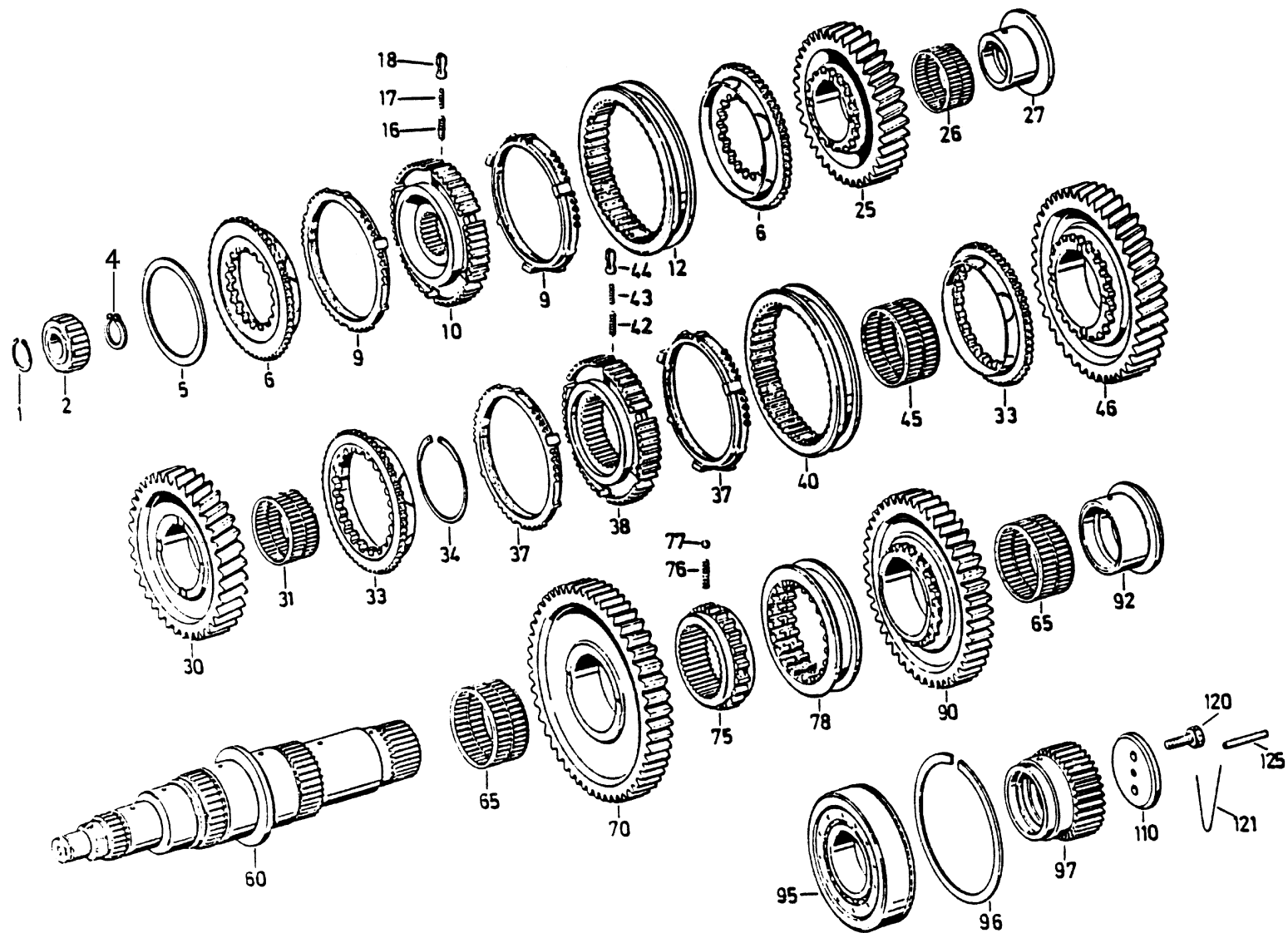


A6- 4 5S- 111GP、5S- 150GP、4S- 130GP MAIN SHAFT AND WHEELS/ 二轴,同步器及齿轮

Nb	Number of part	Quantity	Description	Applicability	Designation	名称	Remark
45	0735320418	1		A, D, C, G	Needle bearing 1st gear	一档齿轮滚针轴承	
45	0735320401	1		B, F	Needle bearing 1st gear	一档齿轮滚针轴承	
46	2128304017	1		C, G	Gear 1st gear	二轴一档齿轮	
46	1292304045	1		A, D	Gear 1st gear	二轴一档齿轮	
46	2159304003	1		B, F	Gear 1st gear	二轴一档齿轮	
60	2128304007	1		C, G	Main shaft	第二轴	
60	1292304069	1		A, D	Main shaft	第二轴	
60	2159304001	1		B, F	Main shaft	第二轴	
65	K 909822. 5	1		C, G	Needle bearing low, rev. gear	慢倒档齿轮滚针轴承	
65	0735320466	1		A, D	Needle bearing low, rev. gear	慢倒档齿轮滚针轴承	
65	K 808840	1		B, F	Needle bearing slow gear	慢档齿轮滚针轴承	
65a	K 808835	1		B, F	Needle bearing rev. gear	倒档齿轮滚针轴承	
70	1292304018	1		A, D	Gear slow gear	二轴慢档齿轮	
70	2159304014	1		B, F	Gear slow gear	二轴慢档齿轮	
75	1292304026	1		A, D	Detend low, rev. gear	慢倒档接合齿座	
75	2159304015	1		B, F	Detend low, rev. gear	慢倒档接合齿座	
76	0732040497	3			Spring	接合套定位弹簧	
77	0635460010	3			Ball	钢球	
78	2128304006	1		C, G	Sliding sleeve	倒档接合套	
78	1292304025	1		A, D	Sliding sleeve	慢倒档接合套	
78	2159304017	1		B, F	Sliding sleeve slow- rev. gear	慢倒档接合套	
90	2128304005	1		C, G	Gear reverser gear	二轴倒档齿轮	
90	1292304017	1		A, D	Gear reverser gear	二轴倒档齿轮	
90	2159304016	1		B, F	Gear reverser gear	二轴倒档齿轮	
92	1292304027	1		A, D, C, G	Bush	二轴倒档齿轮轴承座圈	
92	2159304009	1		B, F	Bush	二轴倒档齿轮轴承座圈	

218

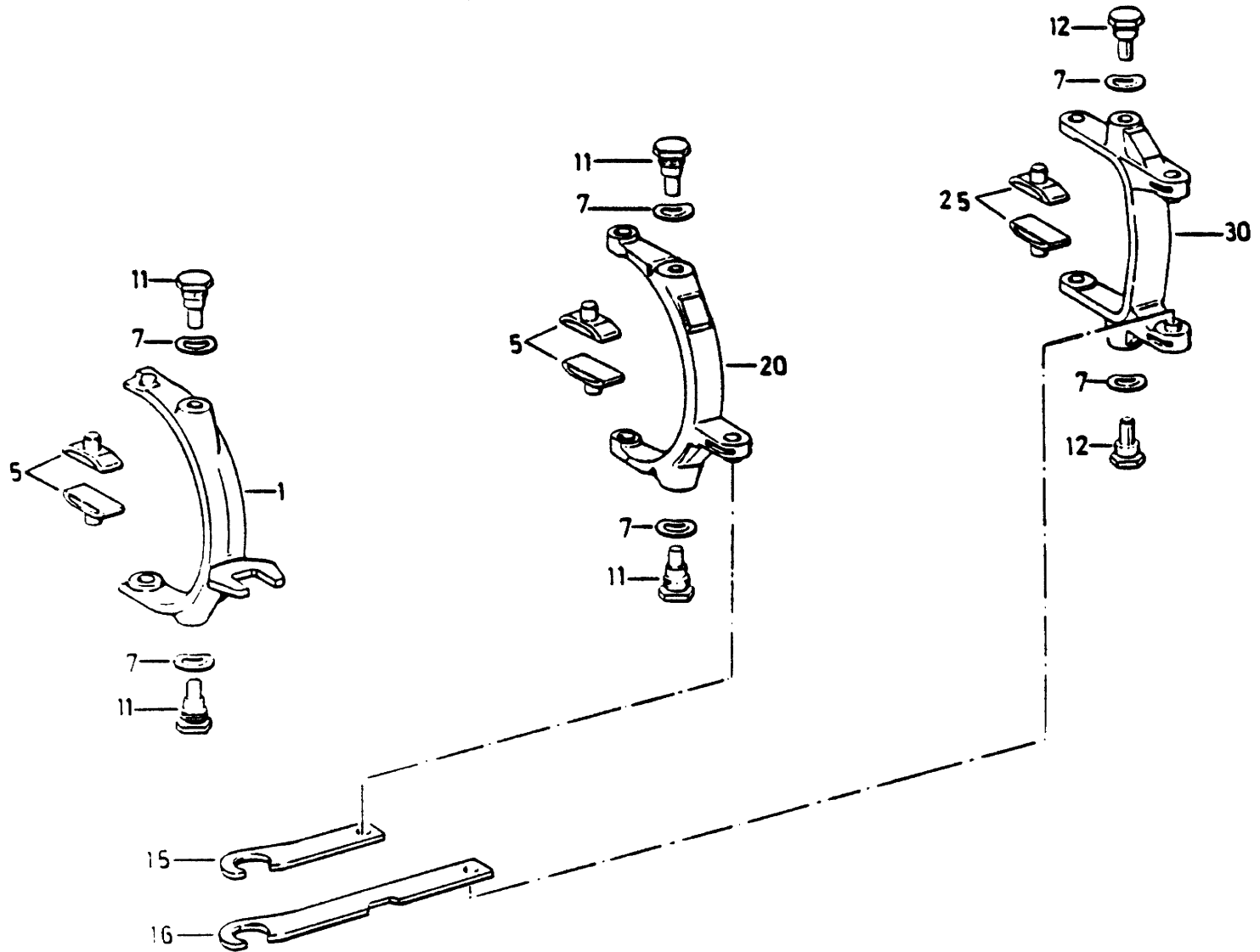
二轴，同步器及齿轮



A6- 4 5S- 111GP、5S- 150GP、4S- 130GP MAIN SHAFT AND WHEELS/ 二轴,同步器及齿轮

Nb	Number of part	Quantity	Description	Applicability	Designation	名称	Remark
95	0528304001	1		C, G	Roller bearing	短圆柱滚子轴承	
95	0750115081	1		A, D	Roller bearing	短圆柱滚子轴承	
95	2159304013	1		B, F	Roller bearing	圆锥滚子轴承	
96	0630503020	1		A, D, C, G	Snap ring	轴承止动环	
96	115144034	1		B, F	Snap ring	轴用弹性挡圈	
97	1286304022	1		B, F	Sun gear	太阳轮	
97	1269304055	1		A, D	Sun gear	太阳齿轮	
110	2128304010	1		C, G	Washer	二轴轴端挡板	
110	1269304070	1		A, B, D, F	Washer	二轴轴端挡板	
120	0630015195	2	M10× 30	A, B, D, F	Screw	头部带孔螺栓	
121	0666890004	1	1.8MM	A, B, D, F	Wire	钢丝锁线	
125	0730061842	1		A, B, D, F	Pipe	二轴油管	
125a	2159304012	1		B, F	Sleeve	油管胀套	

# 换档拨叉



A6- 5

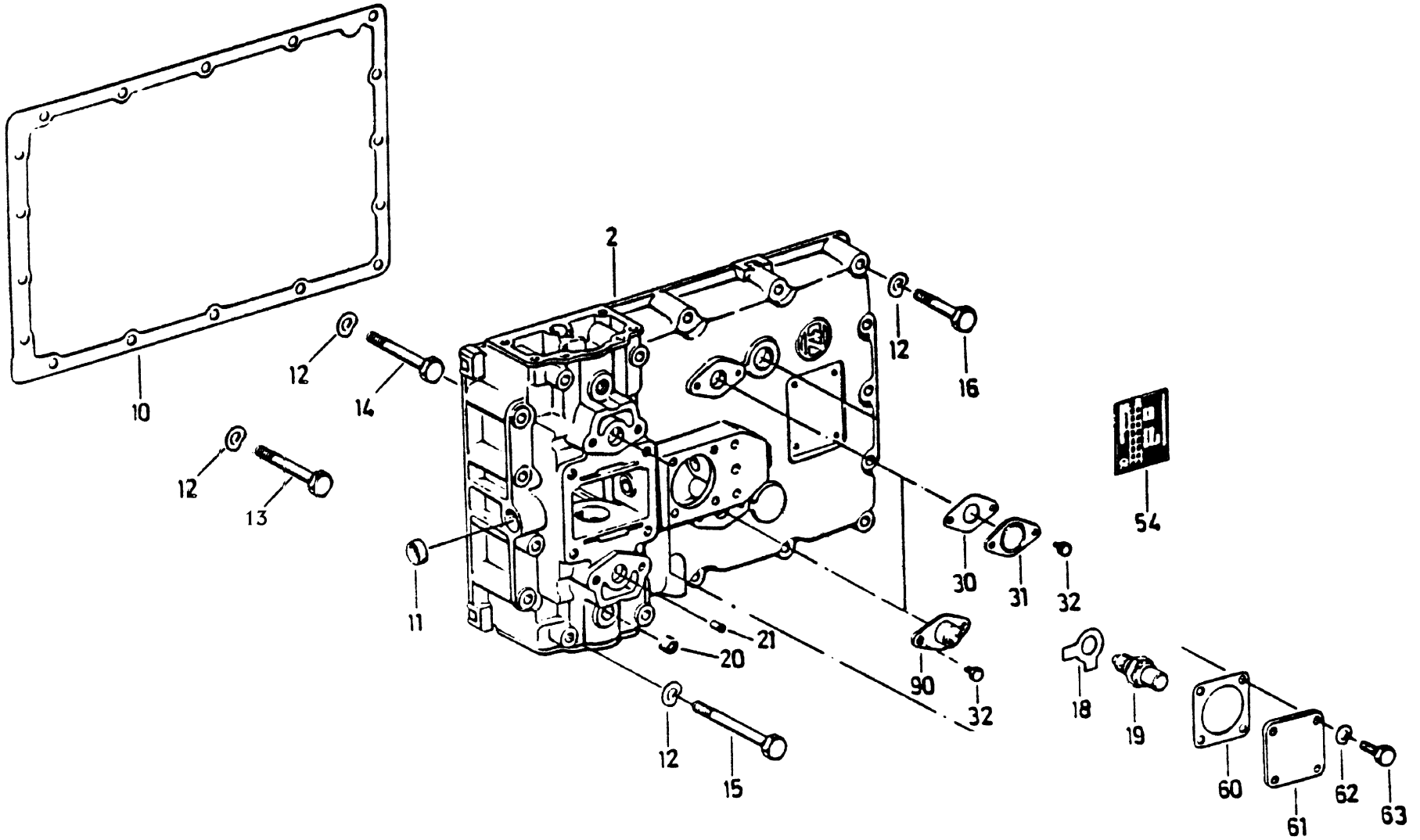
## 5S- 111GP、5S- 150GP、4S- 130GP SHIFTING FORK/ 换档拨叉

No	Number of part	Quantity	Description	Applicability	Designation	名称	Remark
1	1250306263	1			Gear change clamp	三四档换档拨叉	
5	1272334003	4		A, D	Sliding Pad	换档拨块	
5	115306006	4		B, F	Sliding Pad	换档拨块	
5	115306003	4		C, C	Sliding Pad	换档拨块	
7	0730300005	6			Sping disc	支承销垫圈	
11	1240306244	4			Screw	换档拨叉支承销	
12	1252306077	2		A, D, B, F	Screw	優倒档拨叉支承销	
12	0731201095	2			Screw	優倒档拨叉支承销	
15	1269306022	1		C, C	Connecting rod	一二档换档拉杆	
15	1292306002	1		A, B, D, F	Connecting rod	一二档换档拉杆	
16	1286306002	1		C, C	Connecting rod	優倒档换档拉杆	
16	1251306064	1		A, B, D, F	Connecting rod	優倒档换档拉杆	
20	115206005	1		C, C	Gear change clamp	一二档换档拨叉组件	
20	1246206011	1		A, D	Gear change clamp	一二档换档拨叉组件	
20	115206006	1		F, B	Gear change clamp	一二档换档拨叉组件	
25	1297306028	2		C, C	Sliding pad	優倒档拨块	
25	1297306025	2		A, D, B, F	Sliding pad	優倒档拨块	
30	2128206001	1		C, C	Gear change clamp	優倒档拨叉组件	
30	1292206005	1		A, D	Gear change clamp	優倒档拨叉组件	
30	2159206001	1		B, F	Gear change clamp	優倒档拨叉组件	

222

换档盖

ZF 5S111GP变速器图6

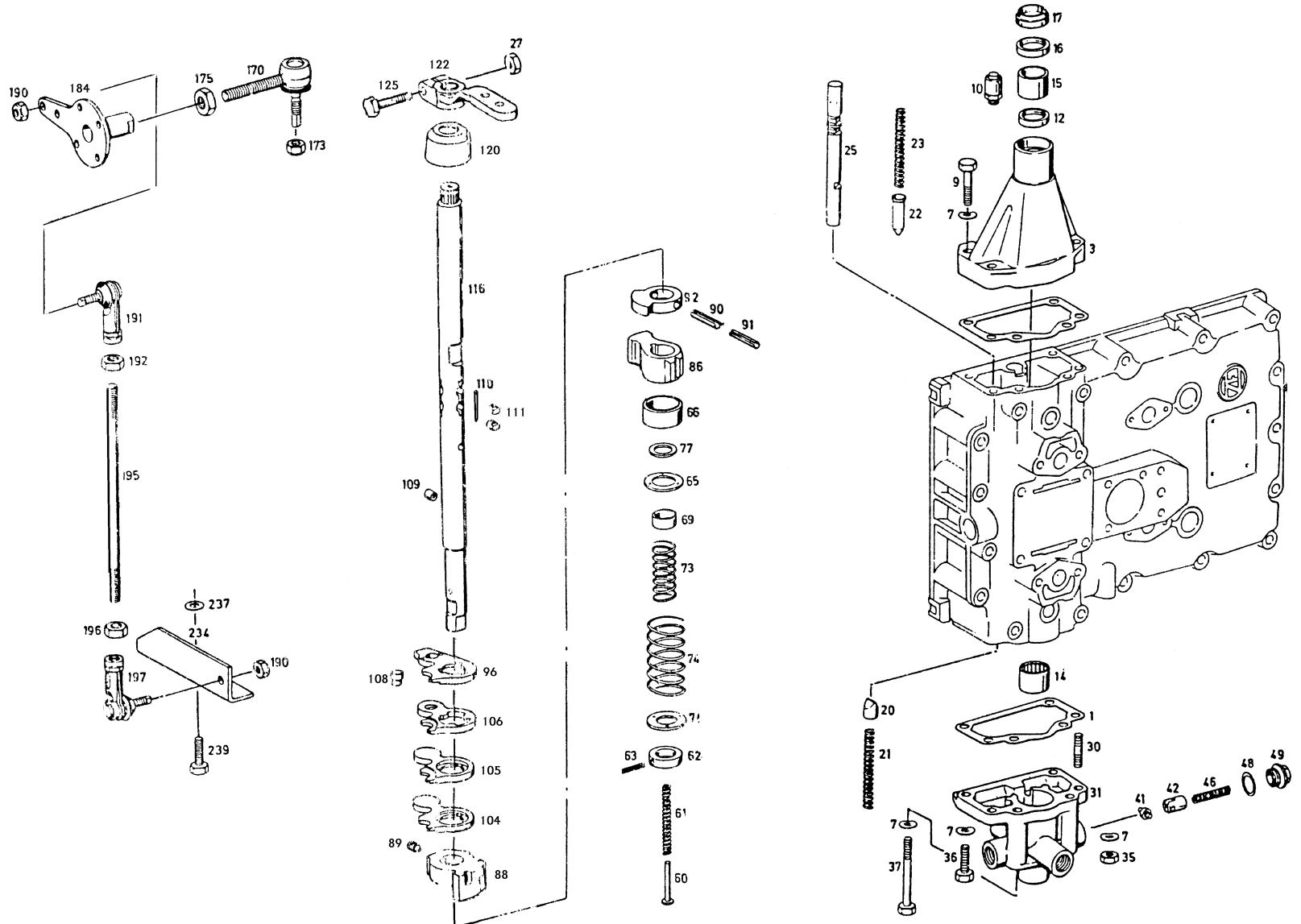




No	Number of part	Quantity	Description	Applicability	Designation	名称	Remark
1	1269307283	1		<b>A, D</b>	Gear change cover	变速器盖	
1	1269307484	1		<b>C, G, B, F</b>	Gear change cover	变速器盖	
10	1269307026	1			Gasket	变速器盖衬垫	
11	0630361050	1	B10		Cover	堵盖	
12	0630302091	17	M10× 105		Spring washer	波形弹性垫圈	
13	0636010199	1	M10× 90		Screw	变速器盖螺栓	
14	0636010190	3	M10× 110		Screw	变速器盖螺栓	
15	0636010200	4	M10× 65		Screw	变速器盖螺栓	
16	0636010176	9	17		Screw	变速器盖螺栓	
18	0630603010	1			Locking plate	双耳止动垫圈	
19	1250307252	1	M16× 1.5		Spring loaded bolt	慢倒档增压器	
20	0636301041	1			Screw plug	内六角螺塞	
21	0730361073	2			Sealing cover	柱形堵盖	
30	1203307289	1			Gasket	小盖板衬垫	
31	1249301040	1	M5× 12		Cover	小盖板	
32	0636015020	4			Screw	倒档传感器螺栓	
33	0501203944	1			Sensor reverse gear	倒档传感器	
34	0501309183	1			Sealing gasket	传感器垫密封圈	
35	1240307441	1			Connecting plate	传感器连接板	
36	0501307450	1			Switch	信号开关	
60	1269307200	1		<b>A, D, B, F</b>	Gasket	方盖板衬垫	
61	1283307003	1		<b>A, D, B, F</b>	Cover	方盖板	
63	0636015278	1		<b>A, D, B, F</b>	Screw	盖板螺栓	
91	9112710041	1		<b>A, D, B, F</b>	Switch for idling pos.	空档开关	

# 选档机构

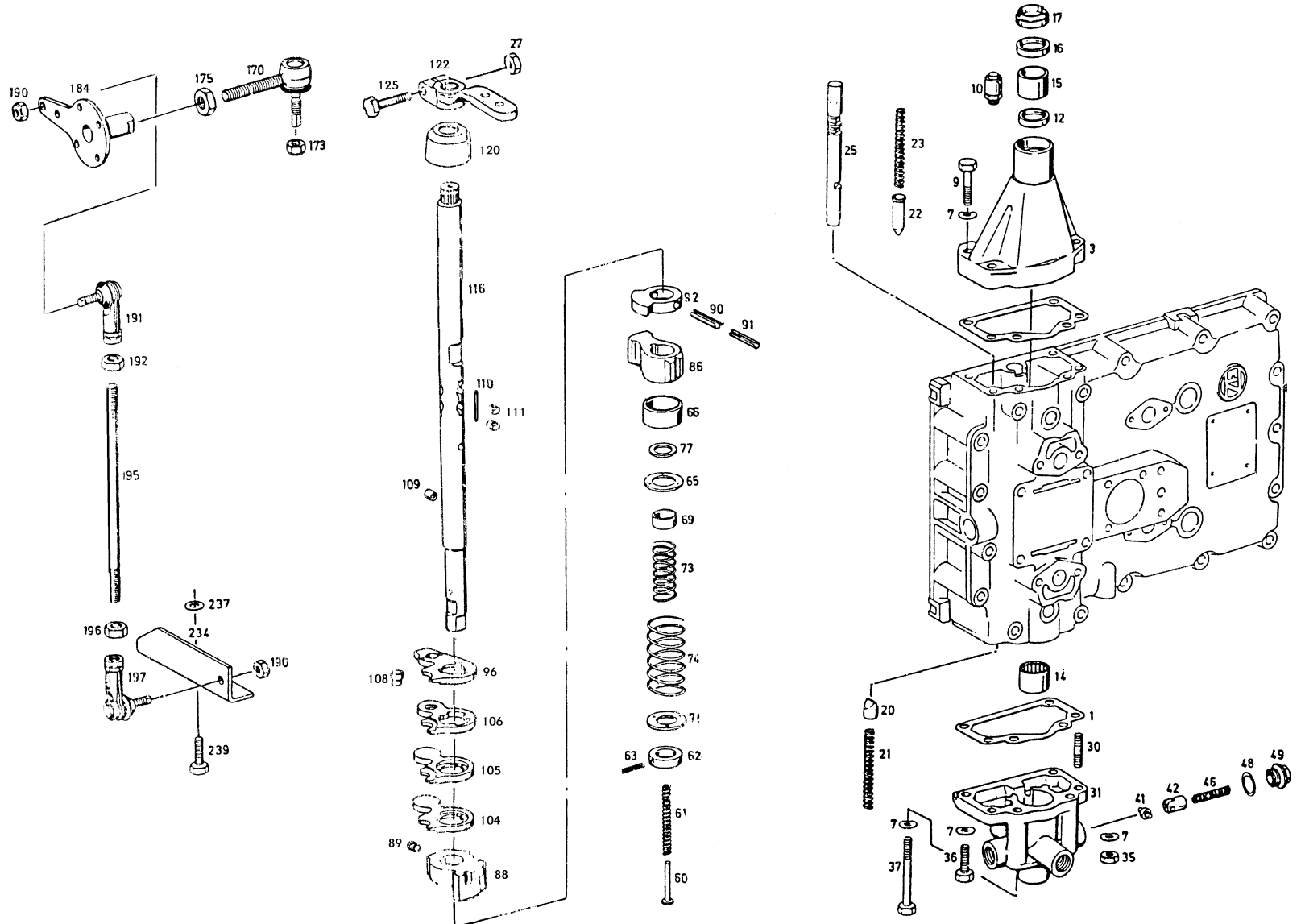
ZF 5S111GP变速器图 7



No	Number of part	Quantity	Description	Applicability	Designation	名称	Remark
1	1252307060	2			Gasket	换档轴座衬垫	
3	1240307431	1		A, D	Gear change	换档轴座	
3	1269307508	1		B, F, C, G	Housing	档位锁壳体	
7	0630302090	2	B8		Spring disc	波形弹性垫圈	
8	0636010066	2	M8× 30		Screw	螺栓	
9	0636010079	4	M8× 40		Screw	螺栓	
10	0732612004	1			Breather	通气塞	
12	0634300020	1	25× 32× 5		Gasket	换档轴内油封	
14	0635303053	1			Needle sleeve	滚针轴承	
15	0730260330	1			Bearing bush	换档轴衬套	
16	0634300302	1	25× 35× 7		Gasket	换档轴油封	
17	0634307367	1	AS25× 35× 7		Scraper ring	换档轴防尘密封圈	
20	1250307601	1			Bolt	自锁销	
21	0732040554	1			Locking spring	自锁弹簧	
22	1272307023	1			Detend bush	慢倒档增压销	
23	0732041244	1			Spring	弹簧	
25	1269307424	1			Locking pin	互锁轴	
30	0636604041	2	M8× 30		Bolt	档位锁壳螺柱	
31	1269307546	1		A, D	Cover	档位锁壳体	
31	1269307507	1		B, F, C, G	Cover	下端盖	
35	0637006018	2	M8		Nut	螺母	
36	0636010066	2	M8× 30		Screw	螺栓	
37	0636010109	2	M8× 80		Screw	档位锁壳螺柱	
41	0501203518	4	A22× 27		Roller	档位锁滚轮组件	
42	1269307480	4			Bolt	档位锁滚轮架	
46	0732040985	4			Helical spring	大弹簧	

# 选档机构

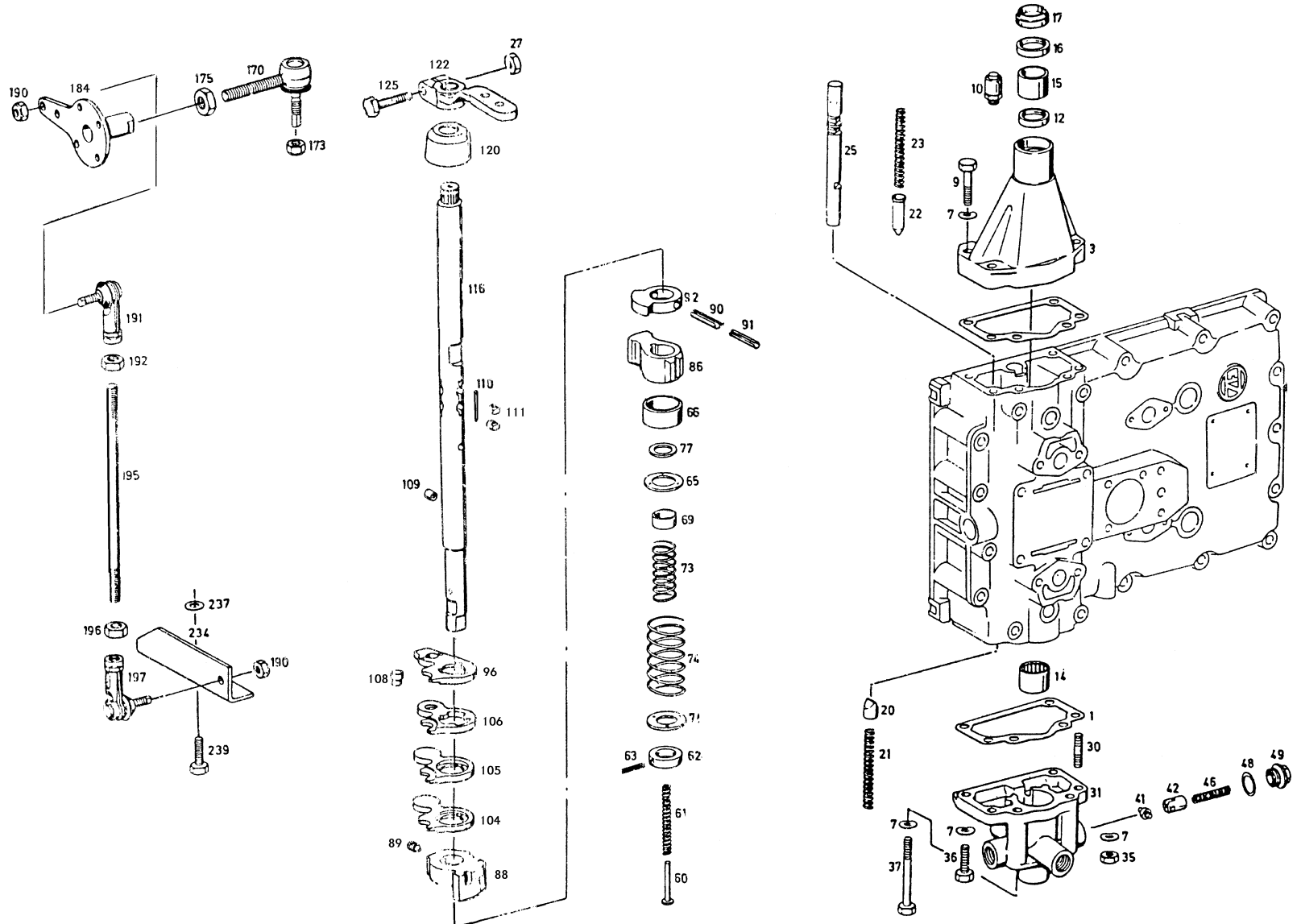
ZF 5S111GP变速器图 7



Nb	Number of part	Quantity	Description	Applicability	Designation	名称	Remark
48	0634801173	4			Gasket	垫密圈	
49	0736304090	1			Plug	六角头带凸缘螺塞	
56	1269307580	1			Spring bush	回位弹簧座	
58	0630532138	1			V- ring	V形挡圈	
60	0731201333	1			Spring	冲压弹簧导向杆	
61	0732040334	1			Spring for Rev. gear	侧档冲压弹簧	
62	0730062160	1			Washer	回位弹簧定位挡圈	
63	0631329054	1			Pin	弹性圆柱销	
65	0730003373	1			Spring bush	回位弹簧内座圈	
66	0730062273	1			Washer	大回位弹簧定位隔圈	
69	0730062276	1			Washer	小回位弹簧定位隔圈	
71	0730104083	1		A, D, B, F	Spring bush	回位弹簧外座圈	
73	0732040213	1		A, D, B, F	Spring	回位小弹簧	
74	0732040237	1			Spring	回位大弹簧	
75	1204307022	1		C, G	Spring	回位小弹簧	
76	1269307516	1		C, G	Spring	回位小弹簧	
77	0730002980	1	1.5		Washer	挡圈	
86	1240307053	1		C, G	Segment	扇形自锁块	
86	1240307421	1		A, D	Segment	扇形自锁块	
86	115307001	1		B, F	Segment	扇形自锁块	
88	1269307423	1		A, D, C, G	Driver	控气凸块	
88	1269307367	1		B, F	Driver	控气凸块	
89	1236306065	2			Screw	紧定螺钉	
90	0631329072	1	6× 40		Pin	弹性圆柱销	
91	0631329145	1	3.5× 40		Pin	弹性圆柱销	
92	1240307374	1			Driver	互锁轴拨块	

# 选档机构

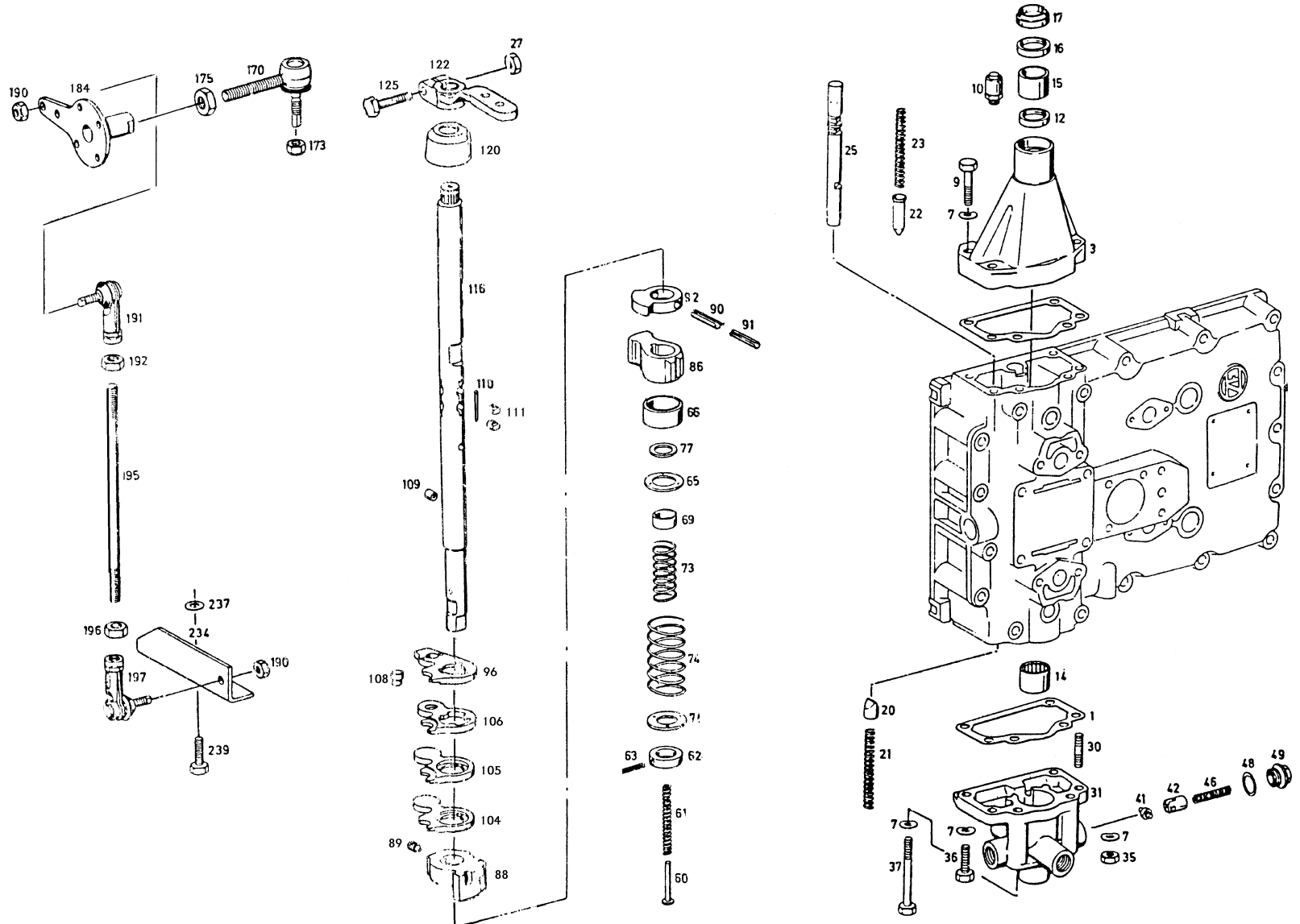
ZF 5S111GP变速器图 7



No	Number of part	Quantity	Description	Applicability	Designation	名称	Remark
96	1272307374	1		C, G	Driver	優倒档换挡联动板	
96	1272307026	1		A, D	Driver	優倒档换挡联动板	
96	1269307428	1		B, F	Driver	優倒档换挡联动板	
104	1269307456	1		A, D	Plate	三四档换档板	
104	1269307455	1		B, F, C, G	Plate	三四档换档板	
105	1269307458	1		A, D	Plate	一二档换档板	
105	1269307457	1		B, F, C, G	Plate	一二档换档板	
106	1269307431	1		A, D, C, G	Plate	優倒档换挡联动板	
108	1272307024	1		A, D, B, F	Bolt	换档板联动销	
109	0735470007	1			Roller	驱动销	
110	0635490006	3		B, F, C, G	Niddle	滚针	
110	0635490004	3		A, D	Niddle	滚针	
111	1269307463	6			Driver	换档驱动销	
116	1269307453	1		A, D, C, G	Shaft	换档轴	
116	1269307509	1		B, F	Shaft	换档轴	
120	1238307411	1				防尘罩	
122	1250507663	1		C, G	Lever	换档摇臂	
122	1250307618	1		A, D	Lever	换档摇臂	
122	1250307666	1		B, F	Lever	换档摇臂	
125	0636010159	1	M10× 40		Screw	螺栓	
127	0637006102	1			Nut	摇臂螺母	
170	0501204714	1			Joint	摇臂球接头	
173	0637011532	1	M10× 1		Nut	自锁螺母	
175	0637006034	1	M14× 1.5		Nut	调整螺母	
184	1240207072	1			Plate	联接板	
190	0637011527	2	M10		Nut	支架球接头螺母	

选档机构

ZF 5S111GP变速器图 7





A6- 7

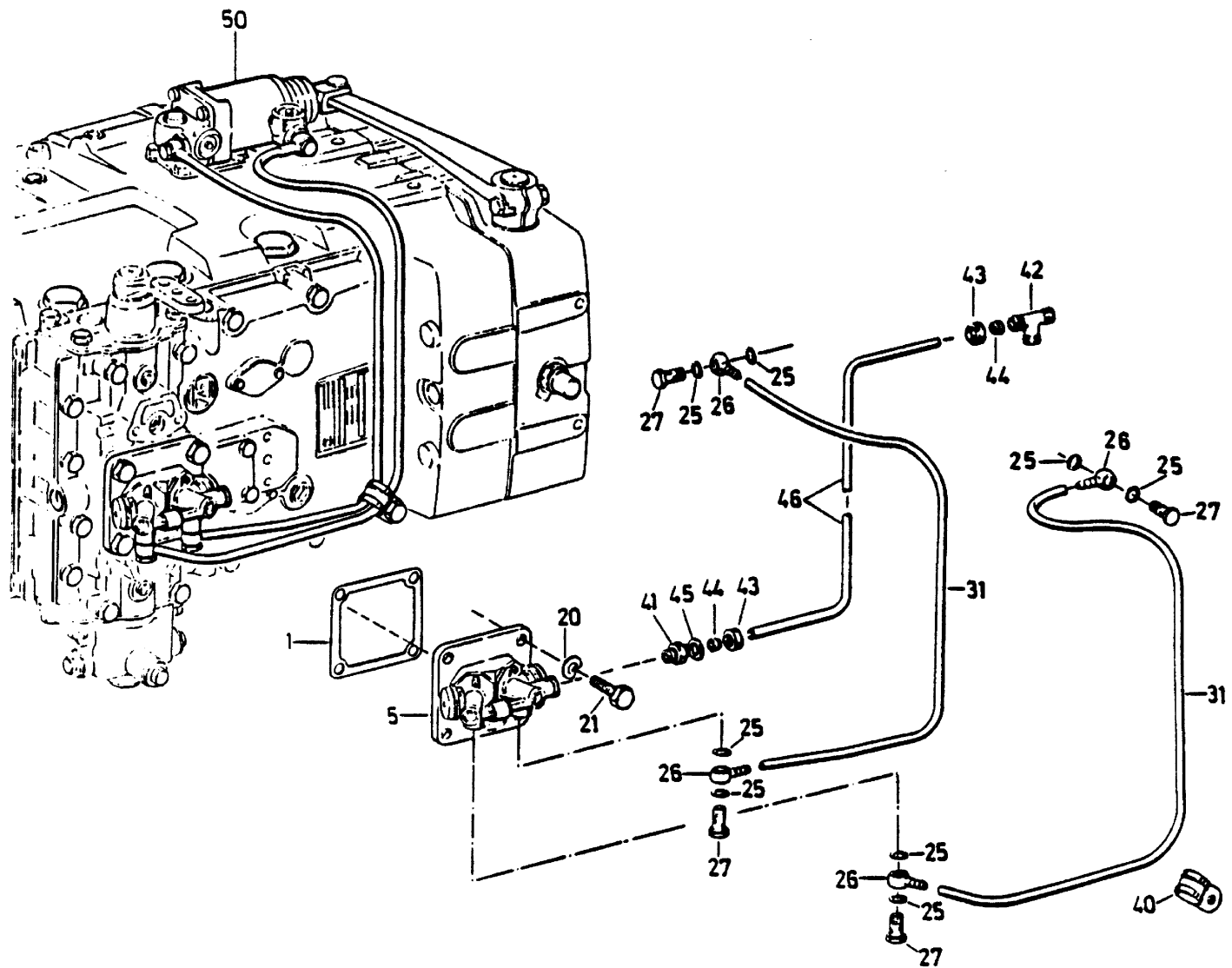
5S- 111GP、5S- 150GP、4S- 130GP SHIFTING DEVICE/ 选档机构

No	Number of part	Quantity	Description	Applicability	Designation	名称	Remark
191	0732107019	1			Ball joint	支承杆球接头(左)	
192	0637006091	1	<b>M12</b>		Nut	支承杆螺母(左)	
195	0736620059	1			Rod	支承杆	
196	0637006027	1	<b>M12</b>		Nut	支承杆螺母	
197	0732107018	1			Ball joint	支承杆球接头	
234	1269307587	1		A, D, C, G	Bracket	支架	
234	1283307007	1		B, F	Bracket	支架	
237	0630001075	1	<b>8.4</b>		Washer	垫圈	
239	0636010072	1	<b>M8x 3.5</b>		Screw	支架螺栓	
240	1252307008	1		C, G	Sleeve	螺纹联接套	

232

A6

# 副变速器气动控制

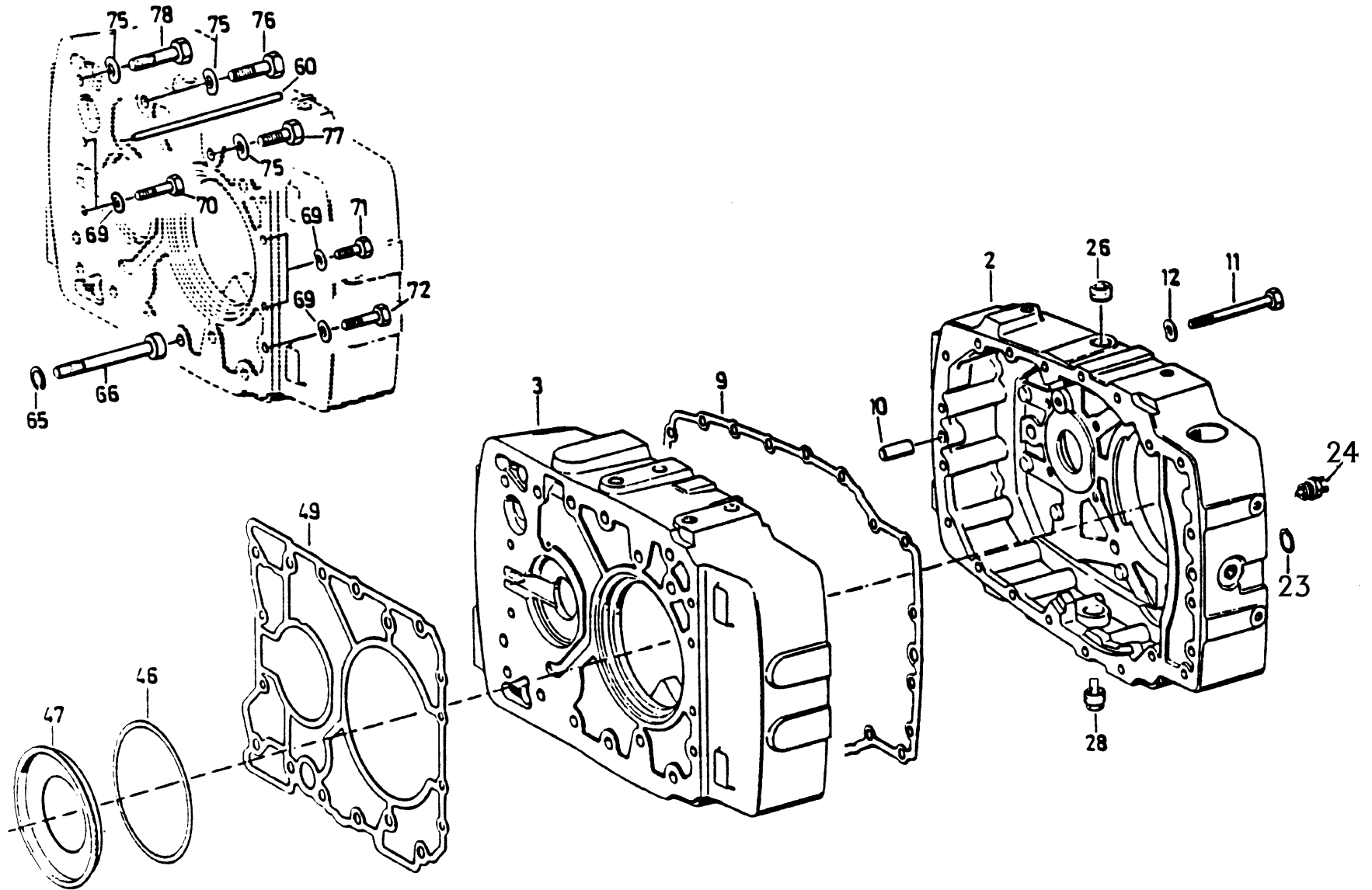


A6- 8 5S- 111GP、5S- 150GP、4S- 130GP PNEUM. SHIFTING FOR RANGE CHANGE GROUP

副变速器气动控制

Nb	Number of part	Quantity	Description	Applicability	Designation	名称	Remark
1	1269307299	1			Gasket	段位转换阀衬垫	
5	0750132006	1		A, D	Cut off valve	段位转换气阀	
5	0750132008	1		C, G, B, F	Cut off valve	段位转换气阀	
20	0630302091	4	B10		Spring disc	波形弹性垫圈	
21	0636015129	4	M10× 35		Screw	段位阀螺栓	
25	0634601205	8	A 12× 15.5		Gasket	垫密圈	
26	0637834032	4	R12- 5		Joint	旋转管接头	
27	0637835026	4	A6		Female screw	空心螺栓	
31	0632702470	2	8× 1.5		Tecalan tube	气管	
40	0632311228	1	1.2× 8' 25		Clamp	管夹总成	

副变速器壳体

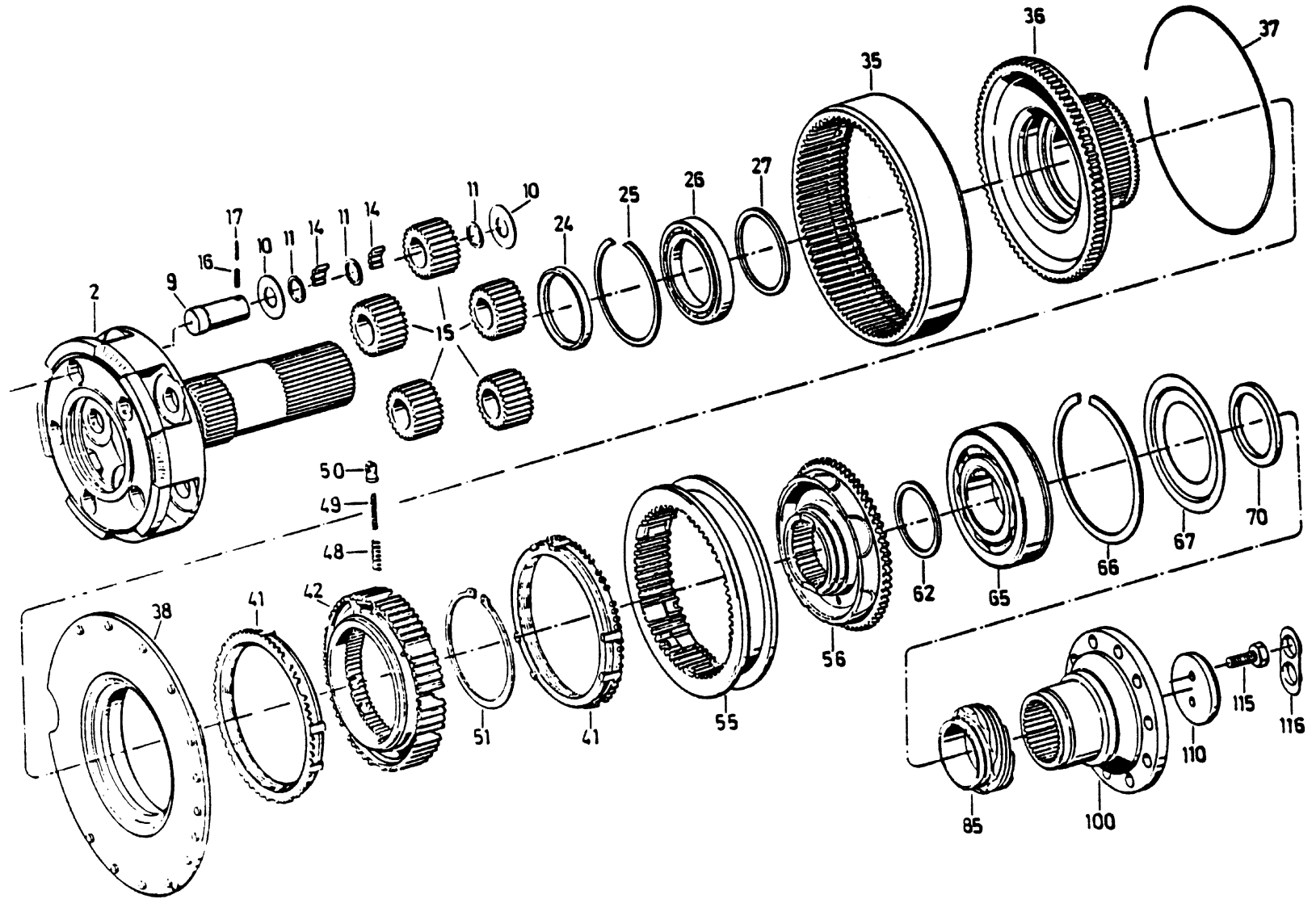


A6- 9 5S- 111GP、5S- 150GP、4S- 130GP HOUSING FOR RANGE CHANGE GROUP

副变速器壳体

Nb	Number of part	Quantity	Description	Applicability	Designation	名称	Remark
2	1269331037	1			Gear change housing	后壳	
3	1269331054	1			Housing	前壳	
9	1269331036	1			Gasket	后壳衬垫	
10	0731201459	2			Cly. pin	前后壳圆柱销	
11	0636010192	21	M10x 95		Screw	螺栓	
23	0730150161	1			Screw plug	传感器垫密封圈	
24	0501305443	1			Sensor	高低档传感器	
26	0736301022	1			Screw plug	内角螺栓	
28	0736305016	1			M- screw plug	放油螺栓组件	
46	0769140003	1			Spacer disc	调整垫片组	
47	2128304010	1		C, C	Screen sheet	前壳挡油板	
47	1269304043	1		A, D, B, F	Screen sheet	前壳挡油板	
49	1269331035	1			Gasket	前壳衬垫	
60	1269331024	1			Pressure tube	导油管	
66	0636104069	4	M14x 105		Cyl. screw	圆头内六角螺栓	
70	0636010277	2	M10x 38		Screw	前壳螺栓	
71	0636015120	2	M10x 25		Screw	前壳螺栓	
72	0636015129	2	M10x 35		Screw	前壳螺栓	
76	0636011102	4	M14x 45		Screw	前壳螺栓	
77	0636016028	2	M14x 30		Screw	前壳螺栓	
78	0636011105	2	M14x 55		Screw	前壳螺栓	

# 副变速器齿轮



A6- 10

5S- 111GP、5S- 150GP、4S- 130GP WHEELS FOR RANGE CHANGE GROUP

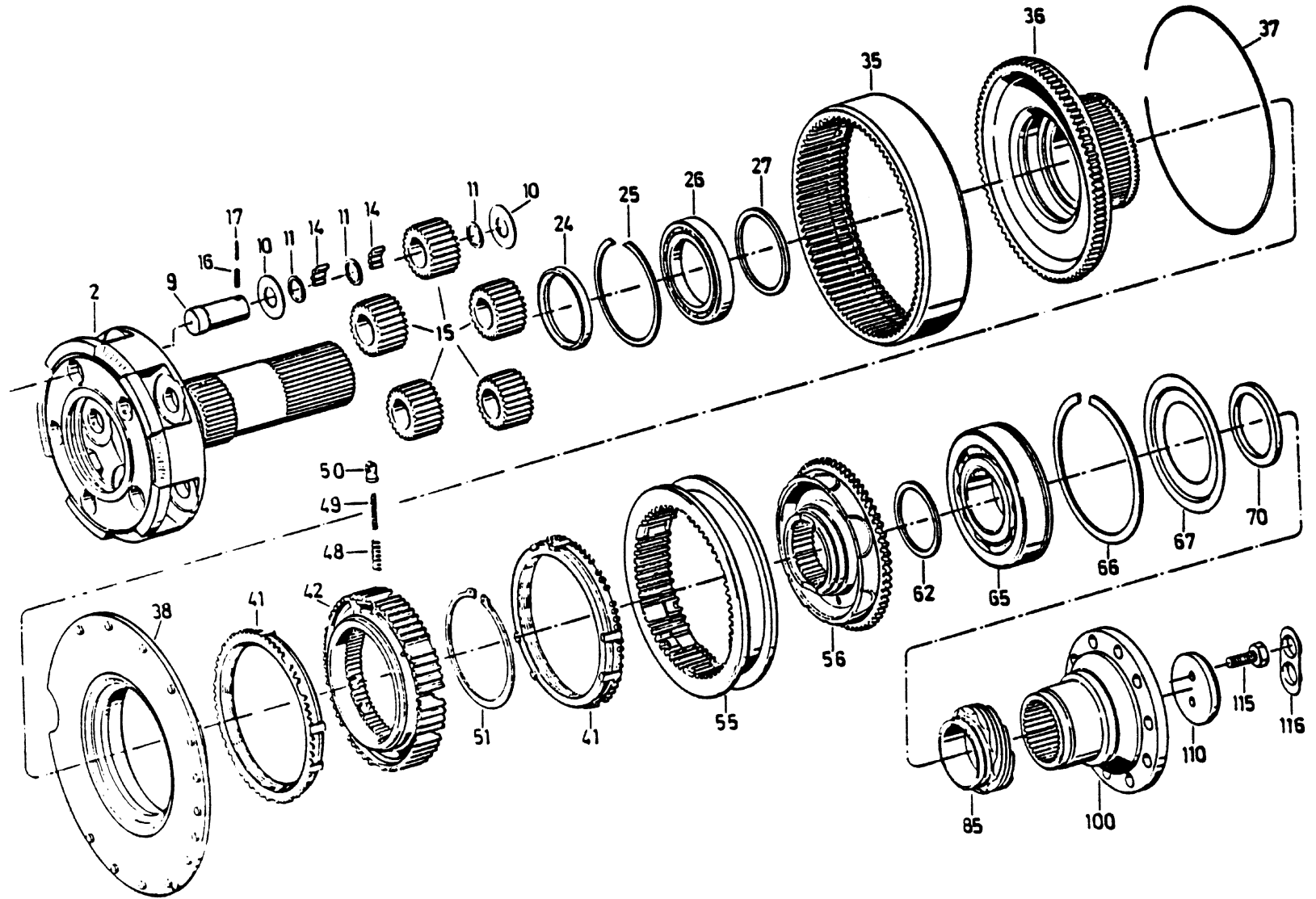
## 副变速器齿轮

Nb	Number of part	Quantity	Description	Applicability	Designation	名称	Remark
2	2159232001	1		B, F	Output shaft	行星架—输出轴总成	
2	1269232010	1		A, D	Output shaft	行星架—输出轴总成	
2	2128232001	1		C, G	Output shaft	行星架—输出轴总成	
9	1269332036	5			Planet wheel shaft	行星齿轮轴	
10	0501305887	10			Washer	止推垫圈	
11	0730103846	15			Intermediate disc	滚针隔圈	
14	0735470057	130	6× 14. 8		Needle roller	行星齿轮滚针	
15	1286298002	1		A, D	Planet wheel set	行星齿轮组	
15	1286298902	1		B, F	Planet wheel set	行星齿轮组	
15	2128298002	1	Z= 29	C, G	Planet wheel set	行星齿轮组	
16	Q5280526	5			Spring pin	弹性圆柱销	
17	Q5280326	5			Spring pin	弹性圆柱销	
24	0730160759	1			Distance ring	隔圈	
25	0769144049	1			Snap ring set	孔用弹性挡圈	
26	0635330050	1	75× 115× 13		Ball bearing	球轴承	
27	0769140072	1			Spacer disc set	调整垫圈组	
35	1269332055	1			Ring gear	齿圈	
36	1269332054	1			Intermed. Carrier	支承座	
37	0730505053	1			Lock wire	钢丝挡圈	
38	1269233010	1		A, D, C, G	Clutch hub	支承板与同步锥毂组件	
38	2159233001	1		B, F	Clutch hub	支承板与同步锥毂组件	
41	1269328289	2		A, D, C, G	Synchr. ring	高低档同步环	
41	2159328002	2		B, F	Synchr. ring	高低档同步环	
42	1269333057	1		A, D, C, G	Detend	高低档同步齿座	
42	2159333004	1		B, F	Detend	高低档同步齿座	
48	0732040736	6		A, D, C, G	Helical spring	外弹簧	

238

A6

# 副变速器齿轮





A6- 10

5S- 111GP、5S- 150GP、4S- 130GP WHEELS FOR RANGE CHANGE GROUP

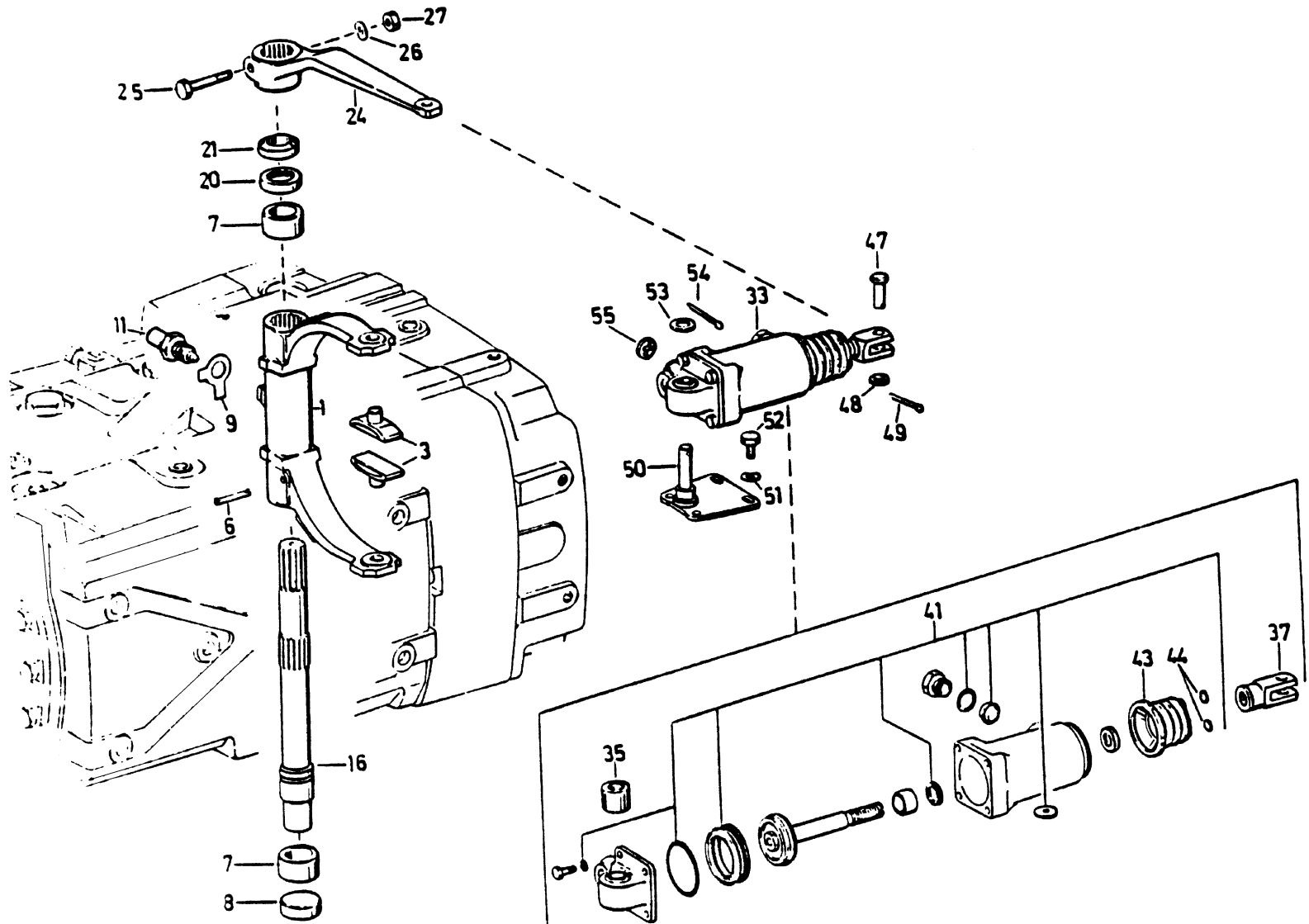
## 副变速器齿轮

Nb	Number of part	Quantity	Description	Applicability	Designation	名称	Remark
48	0732040386	6		B, F	Helical spring	外弹簧	
49	0732040929	6		A, D, C, G	Helical spring	内弹簧	
49	0732040385	6		B, F	Helical spring	内弹簧	
50	1269328234	6		A, D, C, G	Pressure piece	高低档同步推块	
50	1240304278	6		B, F	Pressure piece	高低档同步推块	
51	0769144037	1			Locking ring set	轴用弹性挡圈	
55	1269333047	1		A, D, C, G	Sliding sleeve	高低档同步滑套	
55	2159555001	1		B, F	Sliding sleeve	高低档同步滑套	
56	1269333048	1		A, D, C, G	Clutch hub	高低档同步锥毂	
56	2159333002	1		B, F	Clutch hub	高低档同步锥毂	
62	0769140186	1			Washer	调整垫圈组	
65	0635333049	1	70× 150× 35		Ball bearing	球轴承	
66	0630503020	1	SP 150		Snap ring	轴承止动环	
67	1269328096	1			Baffle plate	挡油盘	
70	0730160758	1			Distance ring	隔圈	
85	1269328229	1			Speedometer	里程表蜗杆	
100	1269338020	1		C, A, D	Output flange	输出法兰	Φ 165 plane flange
100	1269338028	1		C	Output flange	输出法兰	Φ 180 plane flange
100	109304212	1		B, F	Output flange	输出法兰	Φ 180 plane flange
110	1240304117	1			Washer	输出轴端挡板	
100	1269338020- 1	1			Φ 165 toothed flange	输出法兰盘齿	Option
100	1269338028- 1	1			Φ 180 toothed flange	输出法兰盘齿	Option
115	0636016012	2	M12× 30		Screw	挡板螺栓	
116	1250304353	1			Locking plate	轴端锁片	

240

A6

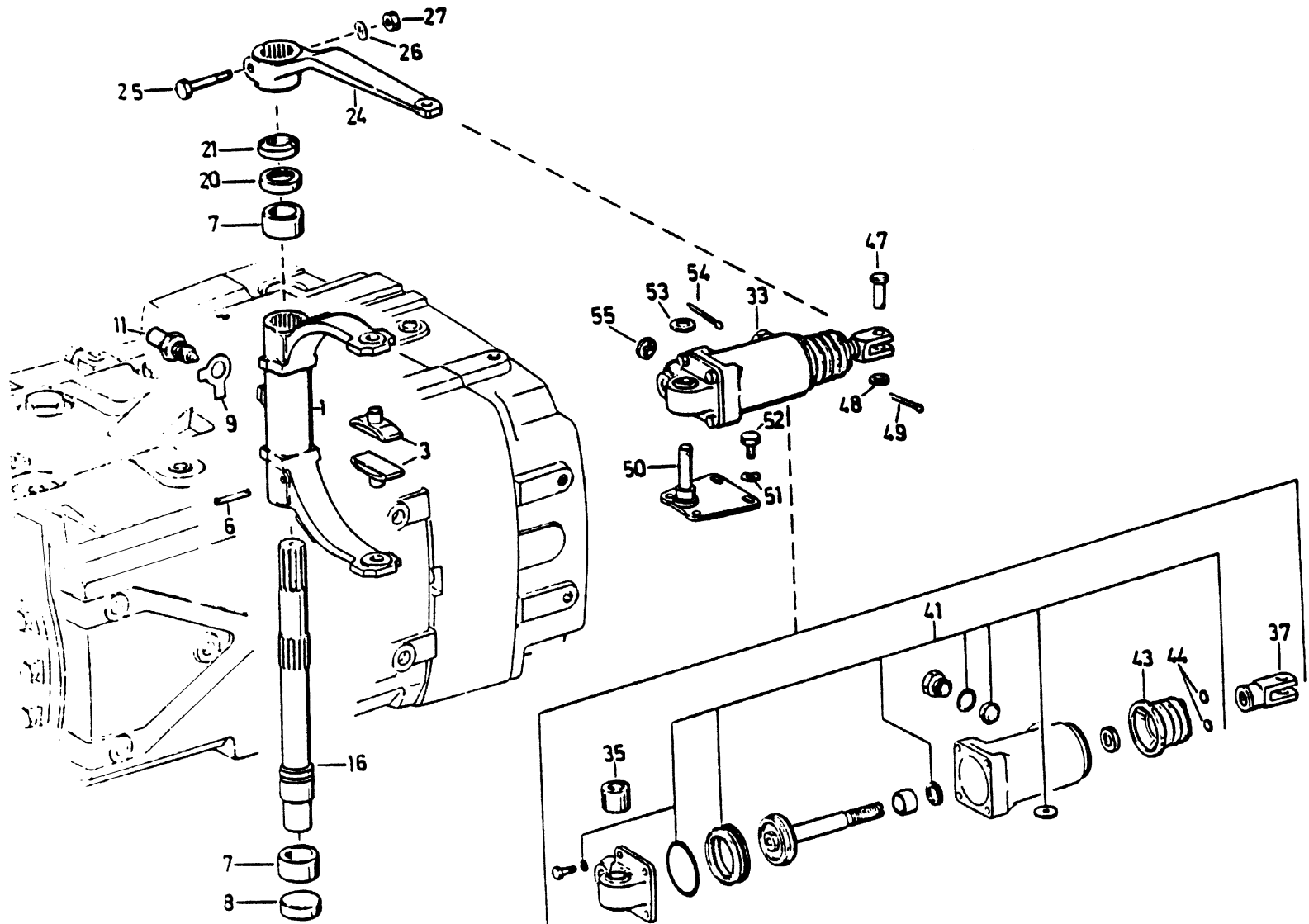
# 副变速器换档机构



## 副变速器换档机构

No	Number of part	Quantity	Description	Applicability	Designation	名称	Remark
1	2159328001	1		B, F	Gear shift fork	高低档换档拨叉	
1	1269328288	1		A, D, C, G	Gear shift fork	高低档换档拨叉	
3	1295334027	2			Sliding pad	高低档换档拨块	
6	0631329086	1	8× 40		Spring pin	弹性圆柱销	
7	0730260355	2			Bush	拨叉轴衬套	
8	0630361078	1	40		Sealing cover	密封堵盖	
9	0630603010	1	17		Locking plate	双耳止动垫圈	
11	1269288045	1			Spring load bolt	高低档自锁器	
16	1269334002	1			Gear shift lever	拨叉轴	
20	0634300355	1	30× 40× 7		Shaft seal	拨叉轴油封	
21	0634307405	1	AS 30× 40× 7		Scraper ring	拨叉轴防尘密封圈	
24	1269328252	1			Gear shift lever	高低档换档摇臂	
25	0636010092	1	M8× 55		Screw	高低档摇臂螺栓	
27	0637006018	1	M8	B, F, C, G	Nut	高低档摇臂螺母	
27	0637006016	1		A, D	Nut	高低档摇臂螺母	
33	0750132019	1			Cylinder	换档气缸	
35	0634308009	1			Absorber sleeve	减震套	
37	0501305189	1			Ford head	连接叉	
41	0501298046	1			Repair set	气缸组件	
43	0734320116	1			Siphon	防护套	
44	0501304049	2			Screen	通气片	
47	0631202086	1	12H11× 35× 3		Bolt	开口销轴	
48	0630001065	1	A13		Washer	垫圈	
49	0631701145	1	4× 20		Split pin	开口销	
49	Q43114	1			Snap ring	卡簧	
50	1229201016	1			Cylinder suspension	换档气缸支座	

# 副变速器换档机构

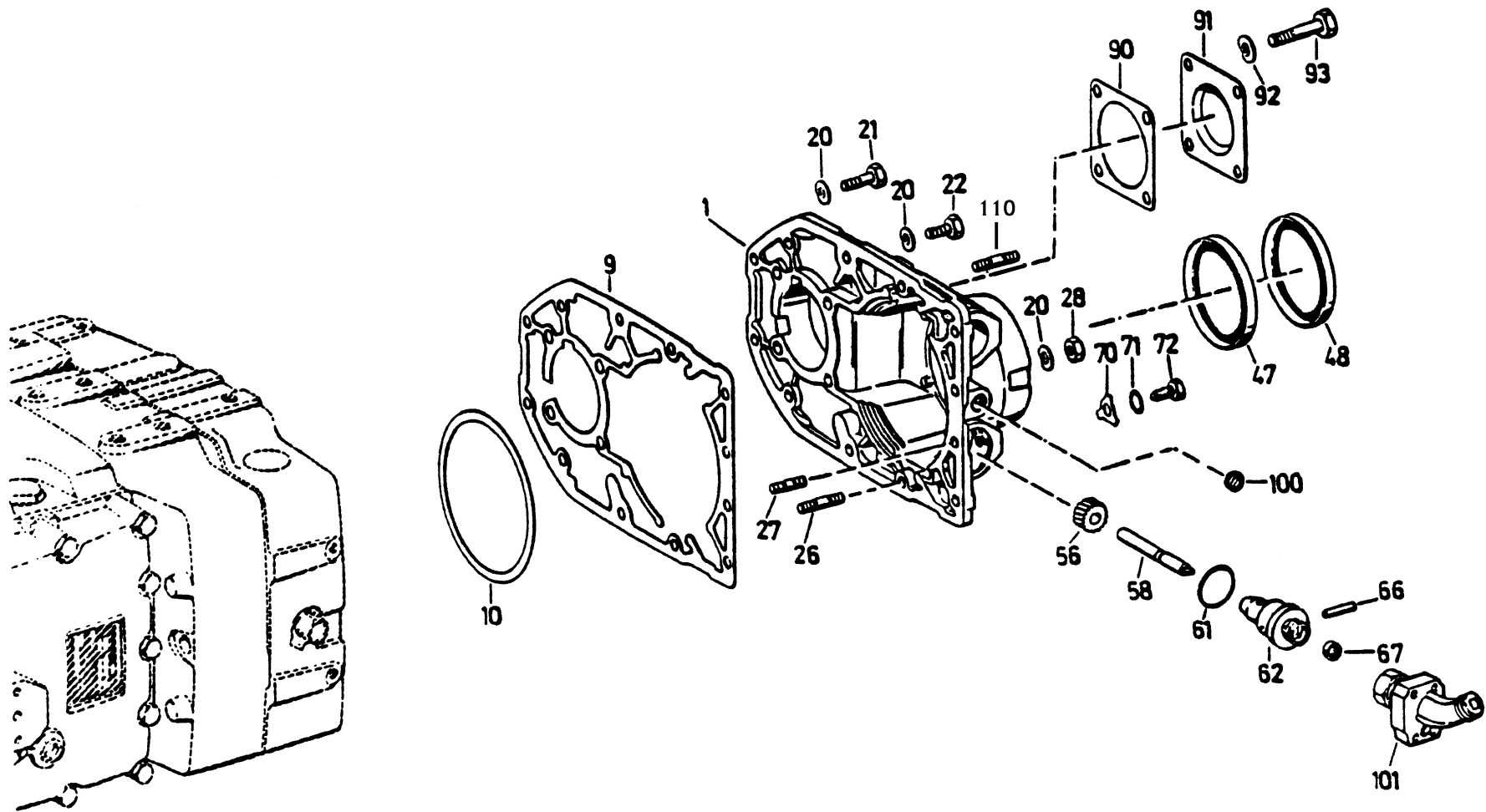


A6- 11

5S- 111GP、5S- 150GP、4S- 130GP SHIFTING FOR RANGE CHANGE GROUP

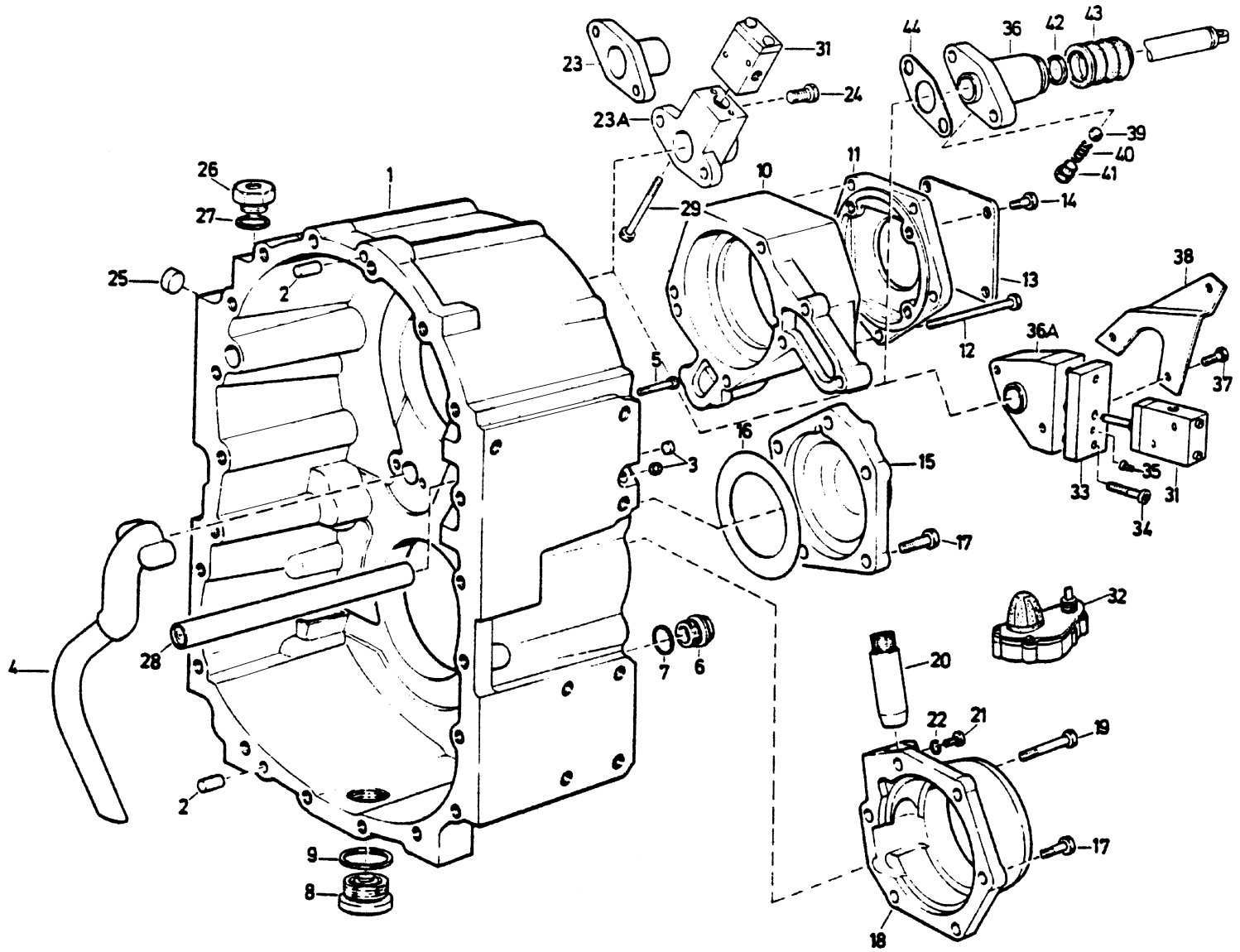
副变速器换档机构

No	Number of part	Quantity	Description	Applicability	Designation	名称	Remark
52	0636015278	1	M18× 16		Screw	螺栓	
53	0630001052	1	15		Washer	垫圈	
54	0631701145	1	4× 20		Split pin	开口销	



No	Number of part	Quantity	Description	Applicability	Designation	名称	Remark
1	1269338095	1		B, F, C, G	Speedometer cover	后盖	
1	1269338019	1		A, D	Speedometer cover	后盖	
9	1269338030	1			Gasket	后盖衬垫	
10	0769140011	1			Spacer disc set	调整垫片组	
20	0630302091	12	B10		Spring disc	波形弹性垫圈	
21	0636015127	4	M10x 30		Screw	后盖螺栓	0636015
22	0636015114	2	M10x 22		Screw	后盖螺栓	0636015
26	0636610087	2	M10x 23		Stud	后盖双头螺栓	
27	0636610079	4	M10x 20		Stud	后盖双头螺栓	
28	0637006022	1	M10		Nut	后盖螺母	
47	0734310109	1		B, F, C, G	Shaft seal	输出轴内油封	
47	0750111004	1		A, D	Shaft seal	输出轴内油封	
49	0734300093	1		B, F, C, G	Shaft seal	输出轴外油封	
49	0750111074	1		A, D	Shaft seal	输出轴外油封	
56	1250308057	1	Z= 17		Speedometer pinion	里程表小齿轮	
58	1250308007	1			Speedometer flexible	里程表	
61	0634316057	1	36. 2x 3		O- ring	O型密封圈	
62	1250308017	1			Speedometer connector	里程表接头	
66	0631306713	1			Cylinder pin	里程表定位销	
67	0634300185	1			Shaft seal ring	里程表轴油封	
71	0125308201	1			Screw	里程表定位螺钉	
71	0125308131	1			Screw	里程表定位螺钉	
72	0737006978	1			Adjusting screw	定位螺母	
90	1238308201	1			Gasket	取力孔盖衬垫	
91	1238308165	1			Cover	取力孔盖	
93	0636011026	1			Screw	取力孔盖螺栓	
100	0636301048	2			Screw plug	内六角螺栓	
101	0501002226	1			Differential	里程表传动装置	

分动器壳





A7- 1

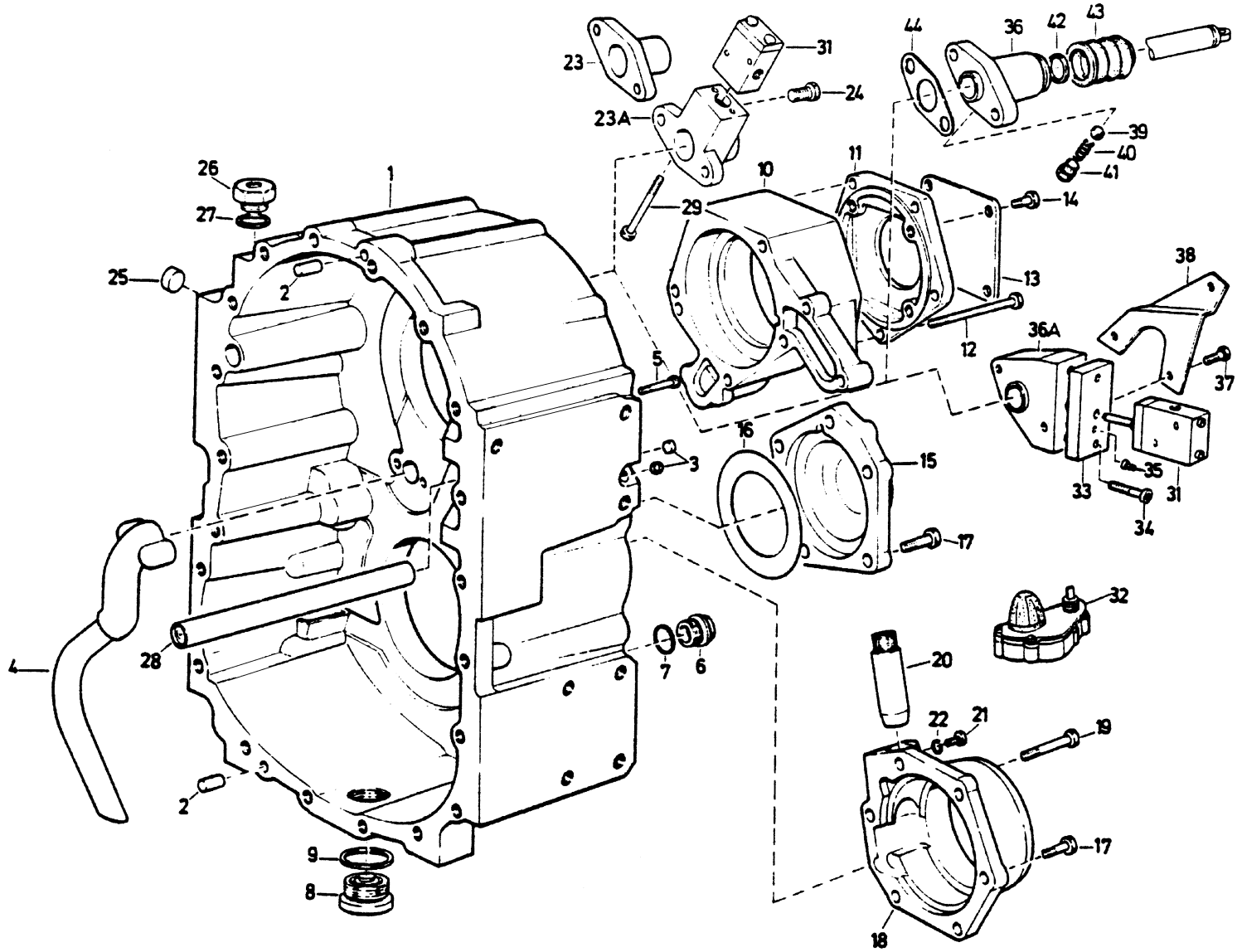
## HOUSING FOR VG1200 TRANSFER CASE WITHOUT DIFF. LOCK/ VG1200 分动器壳

Nb	Number of part	Quantity	Description	Applicability	Designation	名称	Remark
0	1F7120, 700107	1			Transfer case	分动器 1.75 无差速锁	Without diff. lock
1	199114250110	1			Housing	分动器壳体	
2	Q5211020	2			Cylindrical pin	圆柱销	
3	190003989481	2	12/ 8		Core plug	碗形堵塞	
4	199114250060	1			Suction pipe	吸油管总成	
5	Q218B0625	3	M6× 25		Screw	内六角圆柱头螺钉	
6	190003962038	1	AM22× 1.5		Screw	六角头螺塞	
7	190003098026	1	A22× 27		Gasket	密封垫圈	
8	1586 330015	1			Magnetic plug	磁性螺塞总成	
9	190003098138	1	A38× 44		Gasket	密封垫圈- Q72339AL	
10	199014250108	1			Cover	输入轴后盖	
11	179200250136	1			Cover	油泵端盖	
12	Q150B10100	5	M10× 100		Screw	六角头螺栓	
13	1- 99- 916- 002	1			Cover	盖板	
14	Q150B1216	4	M12× 16		Screw	六角头螺栓	
15	199014250126	1			Cover	中间轴后盖	
16	1680M250030	nb			Adjusting washer	调整垫片( 0.1 厚)	
16	1680M250031	nb			Adjusting washer	调整垫片	
17	Q150B1030	10	M10× 30		Screw	六角头螺栓	
17	Q150B1035	5	M10× 35		Screw	六角头螺栓	
18	199114250043	1			Cover	里程表盖	
19	Q150B1055	1			Screw	六角头螺栓	
20	199114250112	1			Bush	里程表轴套	
21	13809 220073	1			Screw	六角头螺栓	
22	Q40308	1	B8		Spring washer	弹簧垫圈	
25	190003961903	1	B20		Locking cover	碗形堵塞	

24-8

A7

分动器壳



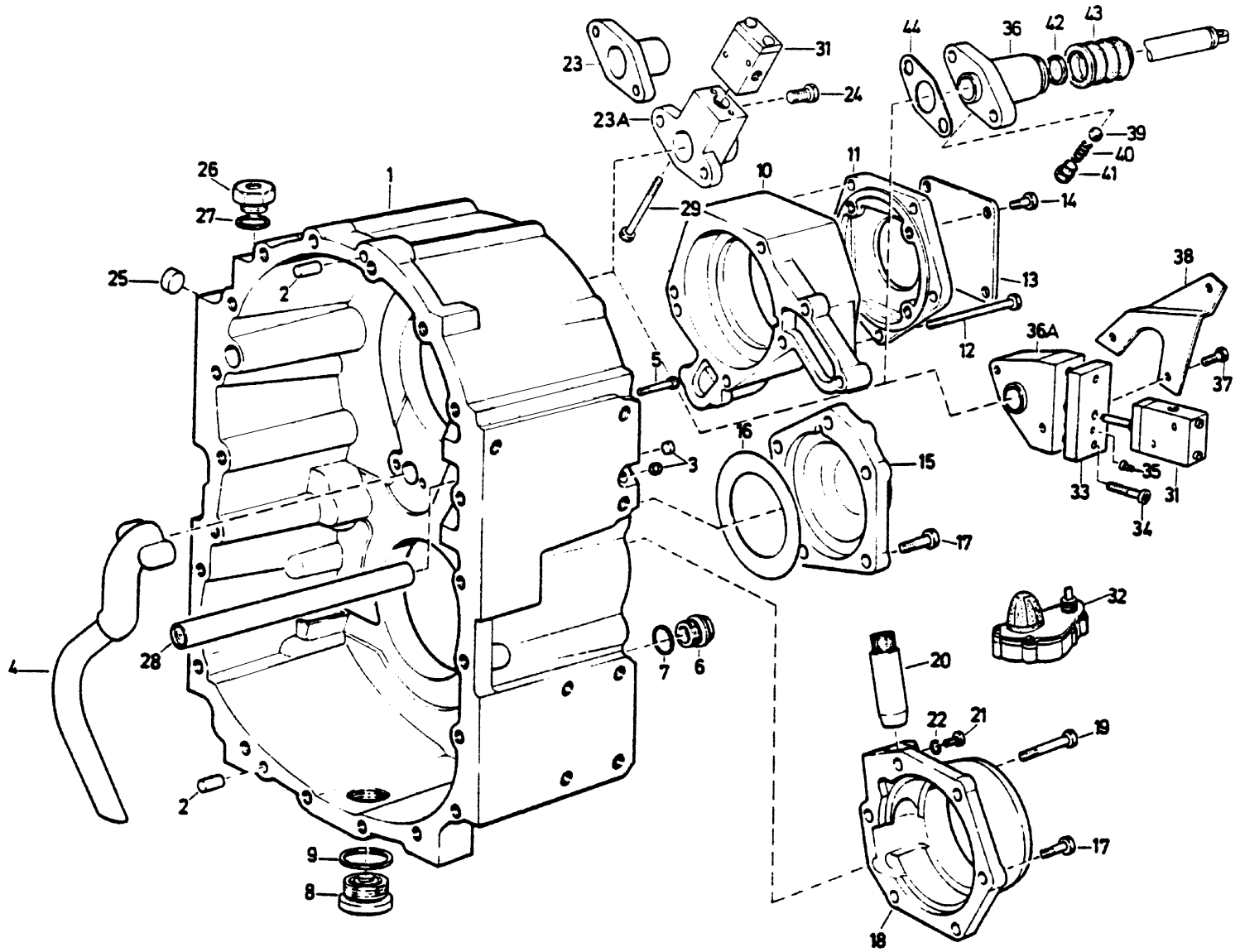
A7- 1

## HOUSING FOR VG1200 TRANSFER CASE WITHOUT DIFF. LOCK/ VG1200 分动器壳

No	Number of part	Quantity	Description	Applicability	Designation	名称	Remark
26	199000410120	1			Venting nipple	通气口总成	
27	190003098026	1			Gasket	密封垫圈	
28	199114250242	1			Pipe	喷油管总成	
36	1880 250069	1			Flange	凸缘	
39	190003330183	1	10mm		Ball	钢球- 10. 0000G200 bCB308	
40	12700 240011	1			Spring	锁紧弹簧	
41	12700 240049	1			Cuk dance	锁止球头	
42	1680 250092	1			Gasket	密封圈	
43	1480 240027	1			Protecting cap	保护罩	
44	1880 250080	1	S= 0.3		Shim	调整垫圈	
44	1880 250081	1	S= 0.5		Shim	调整垫圈	
46	199114250101	1			Oil sheet	滤油板总成	
47	Q40008	1	A8. 4		Washer	小垫圈	
48	Q33208	1	VMS		Nut	2 型全金属六角锁紧螺母	

250

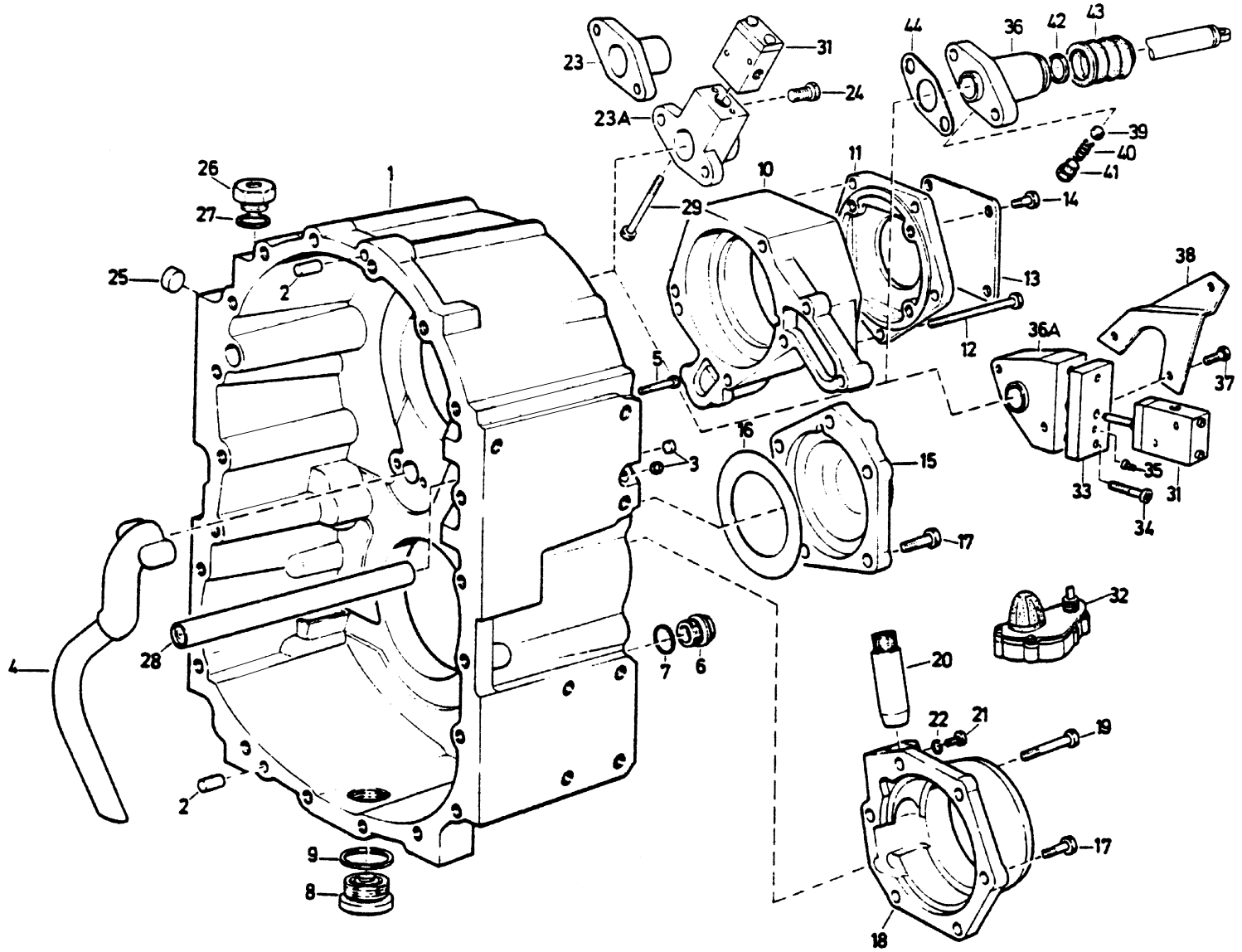
分动器壳



A7- 2 HOUSING FOR VG1200 TRANSFER CASE WITH DIFF. LOCK/ 带轴间差速器 VG1200 分动器壳

Nb	Number of part	Quantity	Description	Applicability	Designation	名称	Remark
0	1F7120. 700L52	1			Transfer case	分动器 1.75 有差速锁	With diff. lock
1	199114250110	1			Housing	分动器壳体	
2	Q5211020	2	10M6x 20		Cylindrical pin	圆柱销	
3	190003989481	2	12/ 8		Core plug	碗形堵塞	
4	199114250060	1			Suction	吸油管总成	
5	Q218B0625	3	M6x 25		Screw	内六角圆柱头螺钉	
6	190003962038	1	AM22x 1.5		Screw	六角头螺塞	
7	190003098026	1	A22x 27		Gasket	密封垫圈	
8	1586 3300L5	1			Magnetic plug	磁性螺塞总成	
9	190003098138	1	A38x 44		Gasket	密封垫圈- Q72339AL	
10	199114250025	1			Housing	输入轴后盖	
11	179200250136	1			Cover	油泵端盖	
12	Q150B10100	5	M10x 100		Screw	六角头螺栓	
13	1- 99- 916- 002	1			Cover	盖板	
14	Q150B1216	4	M12x 16		Screw	六角头螺栓	
15	199014250126	1			Cover	中间轴后盖	
16	1680M250030	nb			Adjusting washer	调整垫片( 0.1 厚)	
16	1680M250031	nb			Adjusting washer	调整垫片	
16	1680M250032	nb			Adjusting washer	调整垫片	
17	Q150B1030	7	M10x 30		Screw	六角头螺栓	
18	199114250023	1			Cover	里程表盖	
19	Q150B1055Q	1			Screw	六角头螺栓	
20	199114250112	1			Bush	里程表轴套	
21	13809 220073	1			Screw	六角头螺栓	
22	Q40308	1	B8		Spring washer	弹簧垫圈	
23	Q150B1055	6			Screw	六角头螺栓	

分动器壳

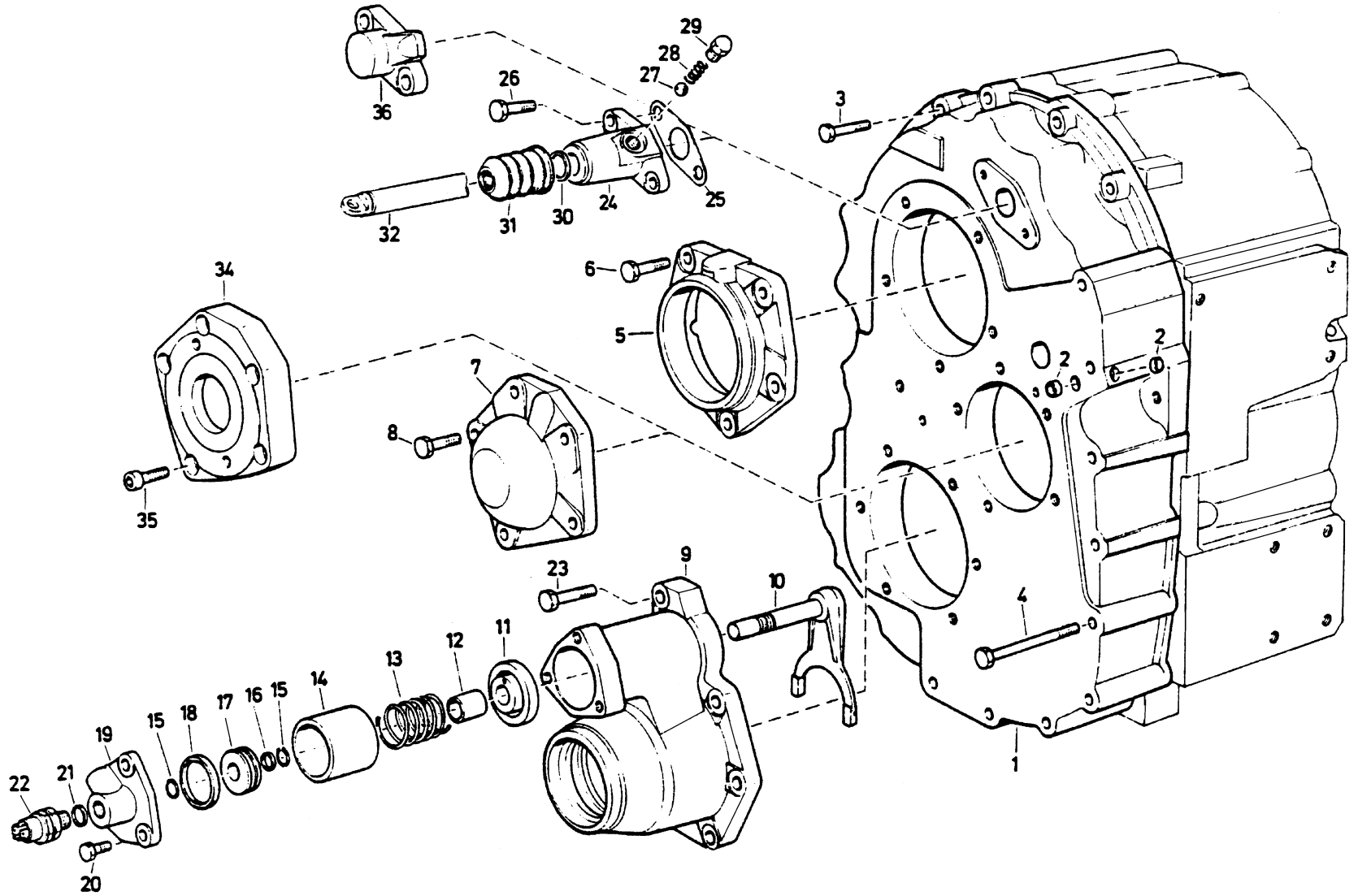


A7- 2 HOUSING FOR VG1200 TRANSFER CASE WITH DIFF. LOCK/ 带轴间差速器 VG1200 分动器壳

No	Number of part	Quantity	Description	Applicability	Designation	名称	Remark
24	Q150B1055	2			Screw	六角头螺栓	
25	190003961903	1	B20		Locking cover	碗形堵塞	
26	199000410120	1			Fan	通气口总成	
28	199114250242	1			Pipe	喷油管总成	
36	1880 250069	1			Flange	凸缘	
39	190003330183	1	10mm		Ball	钢球- 10.0000C200 bCB308	
40	12700 240011	1			Spring	锁紧弹簧	
41	12700 240049	1			Lock dance	锁止球头	
42	1680 250092	1			Gasket	密封圈	
43	1480 240027	1			Protecting cap	保护罩	
44	1880 250080	1	S= 0.3		Shim	调整垫圈	
44	1880 250081	1	S= 0.5		Shim	调整垫圈	
45	199114250057	1			Pressure pipe	压力油管总成	
46	190003962627	2			Female screw	空心螺栓	
47	Q72316T5F	4			Gasket	密封垫圈	
48	199114250101	1			Oil sheet	滤油板总成	
49	Q40008	1			Washer	小垫圈	
50	Q33208	1			Nut	2型全金属六角锁紧螺母	

254

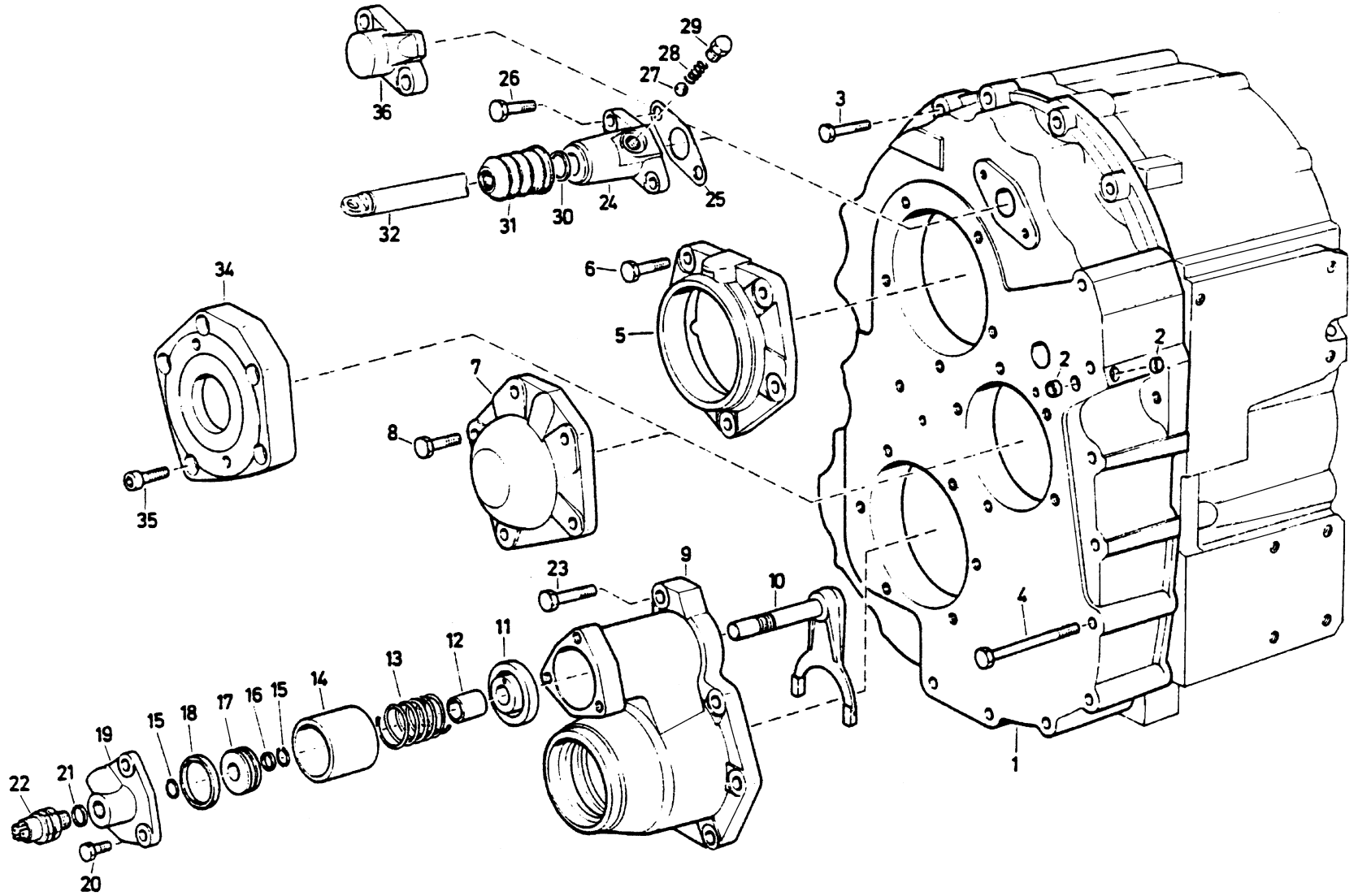
分动器盖





Nb	Number of part	Quantity	Description	Applicability	Designation	名称	Remark
1	199114250059	1			Cover	分动器盖	
2	190003989481	4	12/ 8		Corp plug	碗形堵塞	
3	Q150B1240	11	M12× 40		Screw	六角头螺栓	
4	Q150B12100	9	M12× 100		Screw	六角头螺栓	
5	199014250097	1			Cover	输入轴前轴承盖	
6	Q150B1030	10	M10× 30		Screw	六角头螺栓	
7	199014250125	1			Cover	中间轴前盖	
8	Q150B1030	5	M10× 30		Screw	六角头螺栓	
9	199114250125	1			Housing	前桥输出轴轴承盖	
10	199114250176	1			Shifting fork	前桥接合套拨叉总成	
11	199014250123	1			Washer	气缸端垫圈	
12	1- 99- 942- 007	1			Sleeve	间隔套	
13	1- 99- 976- 003	1			Spring	压力弹簧	
14	199014250122	1			Bush	气缸套	
15	190003933076	2	18× 1.2		Cinclip	轴用弹性挡圈	
16	130A010019	1			Gasket	密封圈	
17	199014250124	1			Piston	活塞	
18	1- 99- 965- 008	1			Cup	密封皮碗	
19	199014250136	1			Cover	端盖	
20	Q150B0816	3	M8× 16		Screw	六角头螺栓	
21	Q72314TF2	1	A14× 18		Gasket	密封垫圈	
22	199000710048	1			Switch	行程指示开关	
23	Q150B1040Q	1	M10× 40		Screw	六角头螺栓	
24	1880 250069	1			Flange	凸缘	
25	1880 250080	nb	S= 0.3		Adjusting washer	调整垫圈	
26	1880 250081	nb	S= 0.5		Adjusting washer	调整垫圈	

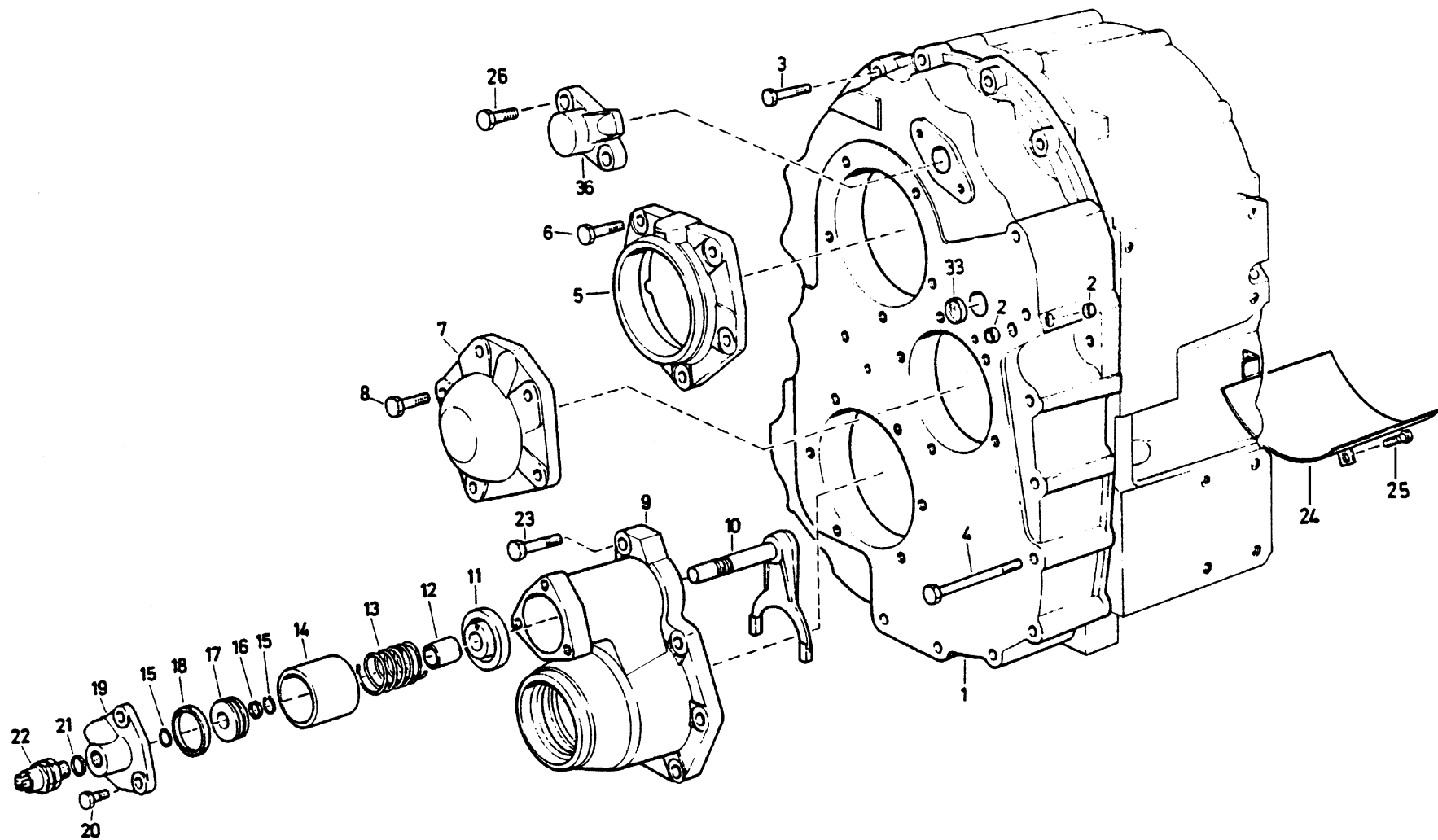
分动器盖



A7- 3

## COVER FOR VG1200 TRANSFER CASE WITHOUT DIFF. LOCK/ VG1200 分动器盖

Nb	Number of part	Quantity	Description	Applicability	Designation	名称	Remark
27	190003330183	1	10mm		Ball	钢球- 10.0000G200 b CB308	
28	12700 240011	1			Spring	锁紧弹簧	
29	12700 240049	1			Guidance	锁止球头	
30	1680 250092	1			Gasket	密封圈	
31	1480 240027	1			Protecting cap	保护罩	
32	1- 21- 425- 016	1			Shift rod	高低档拨叉轴	
33	190003961903	1	B20		Locking cover	碗形堵塞	
36	1- 21- 425- 012	1			Flange	高低档拨叉轴凸缘盖	



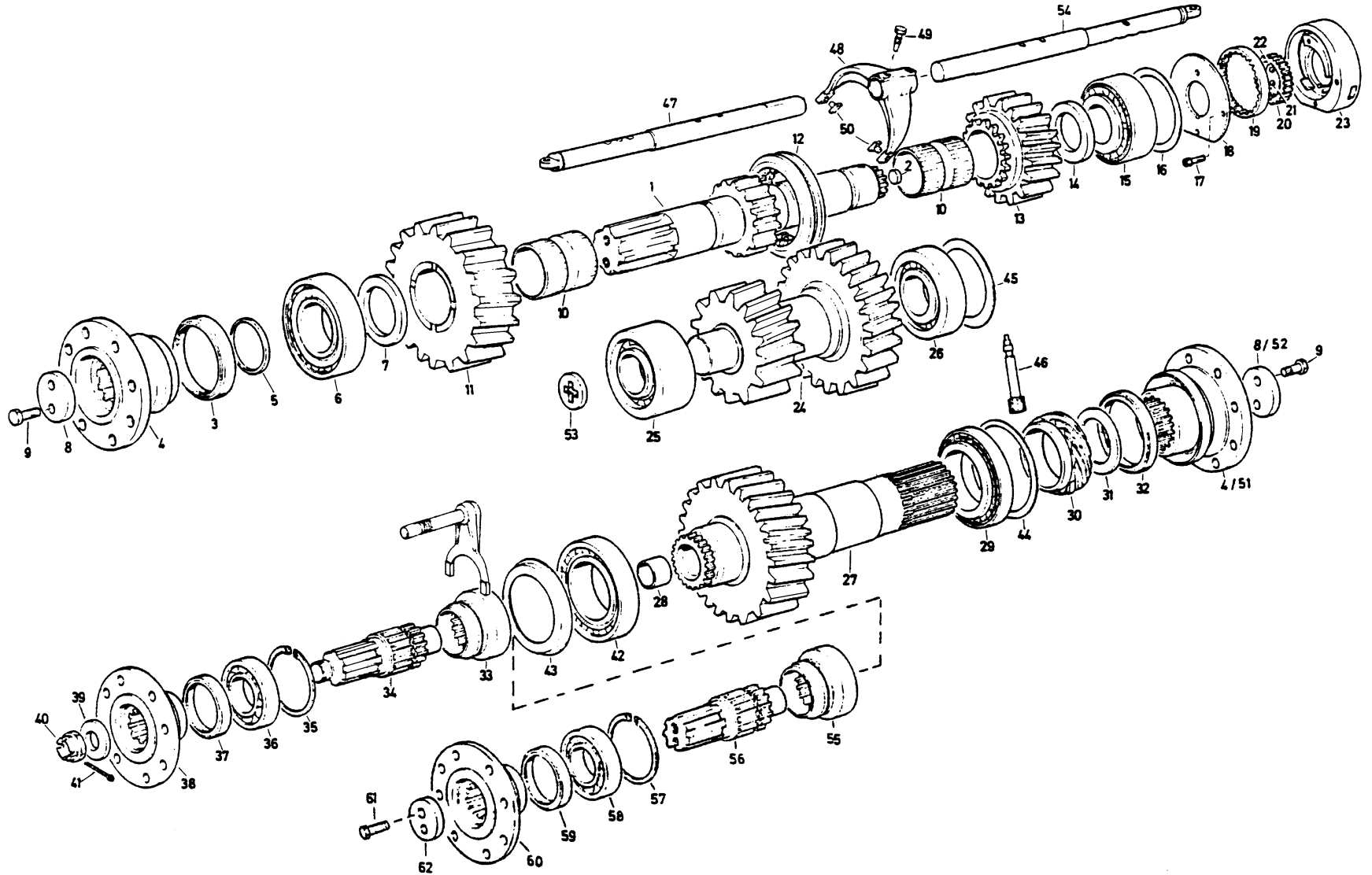
A7- 4

## COVER FOR VG1200 TRANSFER CASE WITH DIFF. LOCK/ VG1200 带差速锁分动器盖

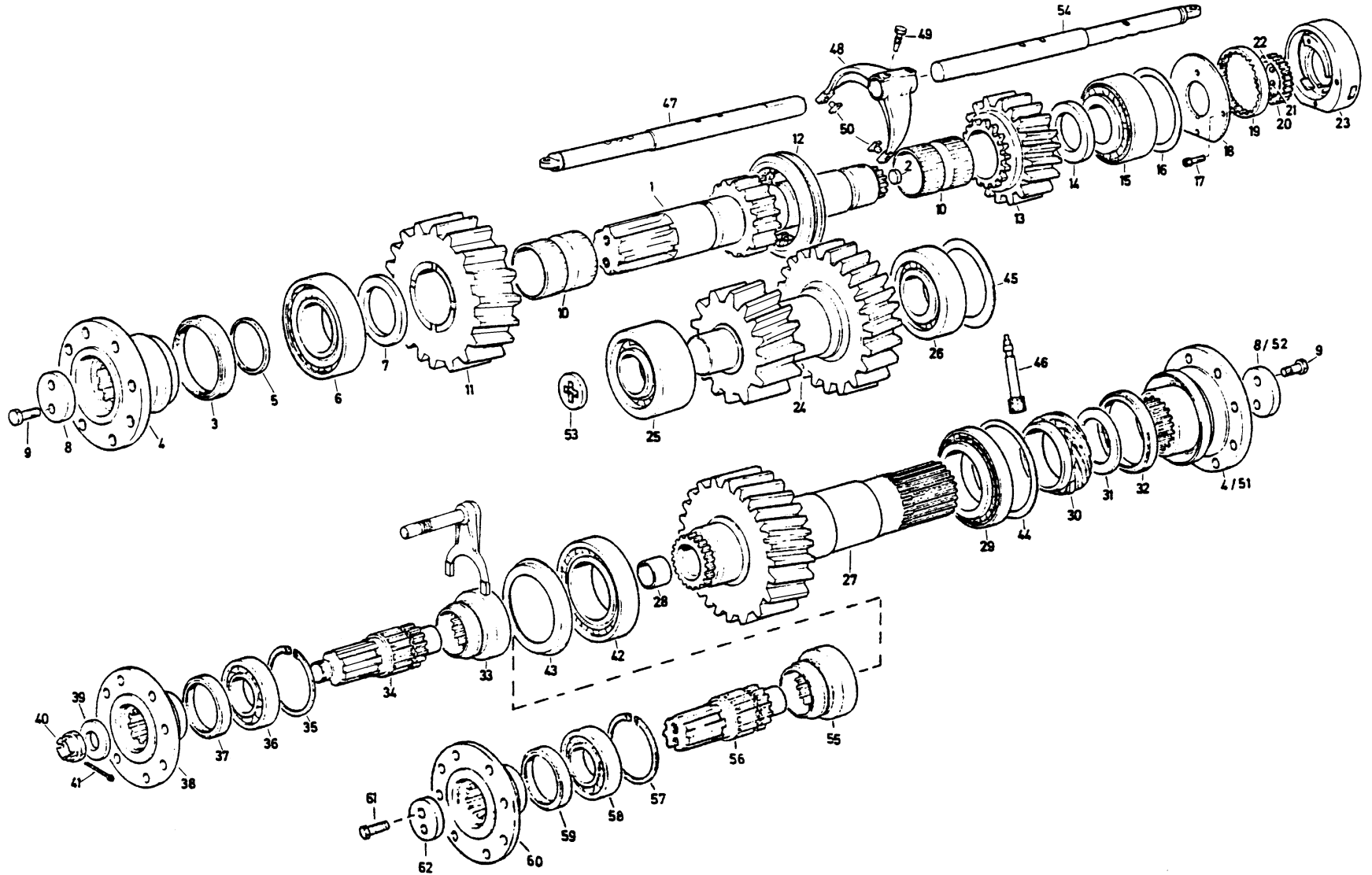
Nb	Number of part	Quantity	Description	Applicability	Designation	名称	Remark
1	199114250059	1			Cover	分动器盖	
2	190003989481	4	12/ 8		Corp plug	碗形堵塞	
3	Q150B1240TF2	11			Screw	六角头螺栓	
4	Q150B12100	9	M 12× 100		Screw	六角头螺栓	
5	199014250097	1			Cover	输入轴前轴承盖	
6	Q150B1030	10	M 10× 30		Screw	六角头螺栓	
7	199014250125	1			Cover	中间轴前盖	
8	Q150B1030	5	M 10× 30		Screw	六角头螺栓	
9	199114250126	1			Housing	前桥输出轴轴承盖	
10	179100250028	1			Shifting fork	前桥接合套拨叉总成	
11	199014250123	1			Washer	气缸端垫圈	
12	1- 99- 942- 007	1			Sleeve	间隔套	
13	1- 99- 976- 003	1			Spring	压力弹簧	
14	199014250122	1			Bush	气缸套	
15	190003933076	2	18× 1. 2		Circlip	轴用弹性挡圈	
16	130A010019	1			Washer	密封圈	
17	199014250124	1			Piston	活塞	
18	1- 99- 965- 008	1			Cup	密封皮碗	
19	199014250136	1			Cover	端盖	
20	Q150B0816	3	M8× 16		Screw	六角头螺栓	
21	Q72314T5F	1	A 14× 18		Gasket	密封垫圈	
22	199000710048	1			Switch	行程指示开关	
23	Q150B1040Q	1	M 10× 40		Screw	六角头螺栓	
26	Q150B1025	2	M 10× 25		Screw	六角头螺栓	
33	190003961903	1	B20		Locking cover	碗形堵塞	
36	1- 21- 425- 012	1			Flange	高低档拨叉轴凸缘盖	

260

A7



Nb	Number of part	Quantity	Description	Applicability	Designation	名称	Remark
1	1- 21- 225- 038	1			Driving shaft	输入轴	
2	190003961903	1			Locking cover	碗形堵塞	
3	190003078775	1	<b>B20</b>		Seal	油封 (即 9911425002)	
4	199114250184	1			Flange	后桥输出轴凸缘 Φ165	
4	1- 21- 225- 037	1			Flange	Φ180 凸缘总成	
4	199114250184	1			Flange	凸缘总成 Φ180	
5	1- 99- 907- 052	2	<b>S= 7</b>		Adjusting washer	垫圈	
6	190003326236	1			Taper roller bearing	圆锥滚子轴承 30312GB/T297- 94	
7	1- 99- 907- 053	1	<b>S= 6</b>		Washer	垫圈	
9	190003802639	4	<b>M12x 30</b>		Screw	六角头螺栓- Q150B1240TF2	
11	199014250102	1	<b>Z= 23</b>		Helical gear	输入轴高档齿轮( Z= 23)	
12	199014250064	1			Sliding sleeve	换挡捏合套	
13	199114250082	1	<b>Z= 17 I= 1.75</b>		Pignon	输入轴低档齿轮( 330 马力) ( 17)	
14	1880 250047	1			Washer	垫圈	
15	190003326534	1			Taper roller bearing	圆锥滚子轴承 32311GB/T297- 94	
16	1188 320021	nb			Adjusting washer	调整垫圈 0.1 厚	
16	1188 320022	nb			Adjusting washer	调整垫圈 0.2 厚	
16	1188 320023	nb			Adjusting washer	调整垫圈 0.4 厚	
16	199114250153	nb			Adjusting washer	调整垫圈 0.15 厚	
17	Q218B0616	4	<b>M6x 16</b>		Screw	内六角圆柱头螺钉	
18	1- 99- 936- 002	1			Cover	油泵盖	
19	199012250101	1			Inner wheel	油泵齿圈	
20	199012250100	1			Outer wheel	油泵齿轮	
21	190003330105	1	<b>6mm</b>		Ball	钢球- 6. 0000 G200 b GB308	
22	190003330052	1	<b>4. 5mm</b>		Ball	钢球- 4. 5000 G200 b GB308	
23	1- 99- 936- 001	1			Housing	油泵壳体	



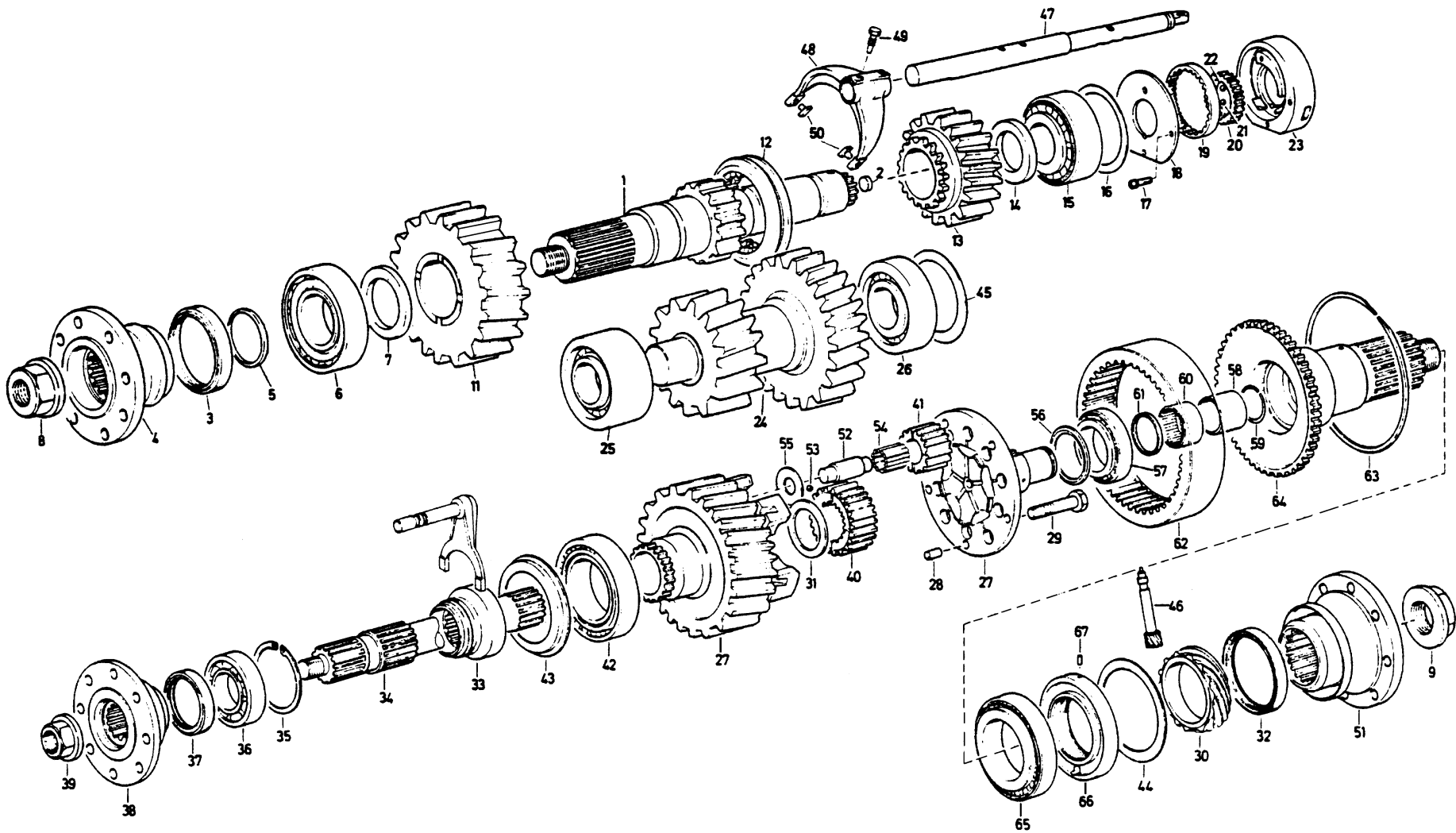


No	Number of part	Quantity	Description	Applicability	Designation	名称	Remark
24	199114250098	4		07	Gear	中间轴 17/ 22 齿轮付)	
25	199014250055	1			Roller bearing	圆柱滚子轴承	
26	190003326053	2			Roller bearing	圆柱滚子轴承 NJ310 EJA/ C3 GB/ T283- 94	
27	199114250216	2		07	Driving shaft	后桥输出轴	
29	190003326053	1		07	Taper roller bearing	圆锥滚子轴承 30214 GB/ T297- 94	
30	199100370231	1		07	Driving wheel	里程表主动齿轮	
32	190003078776	1			Seal	油封	
33	1- 21- 425- 006	1		07	Sleeve	前桥啮合套	
34	179100250014	1		07	Driving shaft	前桥输出轴	
35	190003934425	1		07	Circli	孔用弹性挡圈	
36	190003311027	2		07	Ball bearing	深沟球轴承 6209 GB/ T297- 94	
37	190003074347	1		07	Seal	油封	
42	190003326164	1			Taper roller bearing	圆锥滚子轴承 3215 GB/ T297- 94	
43	199114250124	1			Washer	盖	
44	199014250079	nb	S= 0. 1		Adjusting washer	调整垫圈	
44	199014250080	nb	S= 0. 2		Adjusting washer	调整垫圈	
44	199014250081	nb	S= 0. 4		Adjusting washer	调整垫圈	
45	1680M 250030	nb			Adjusting washer	调整垫片( 0. 1 厚)	
45	1680M 250031	nb	S= 0. 2		Adjusting washer	调整垫片	
46	199100370048	1			Speedom. pinion	里程表被动齿轮	
48	199014250085	1			Shifting fork	拨叉	
49	12700 240064	2			Screw	锥形螺钉	
50	11800 320077	2			Shifting block	拨叉活动块	
51	1- 21- 225- 037	1		07	Flange	Φ180 凸缘总成	
54	1- 21- 425- 016	1		07	Shifting rod	高低档拨叉轴	

带轴间差速器

齿轮系

分动器VG1200, 取力器图6

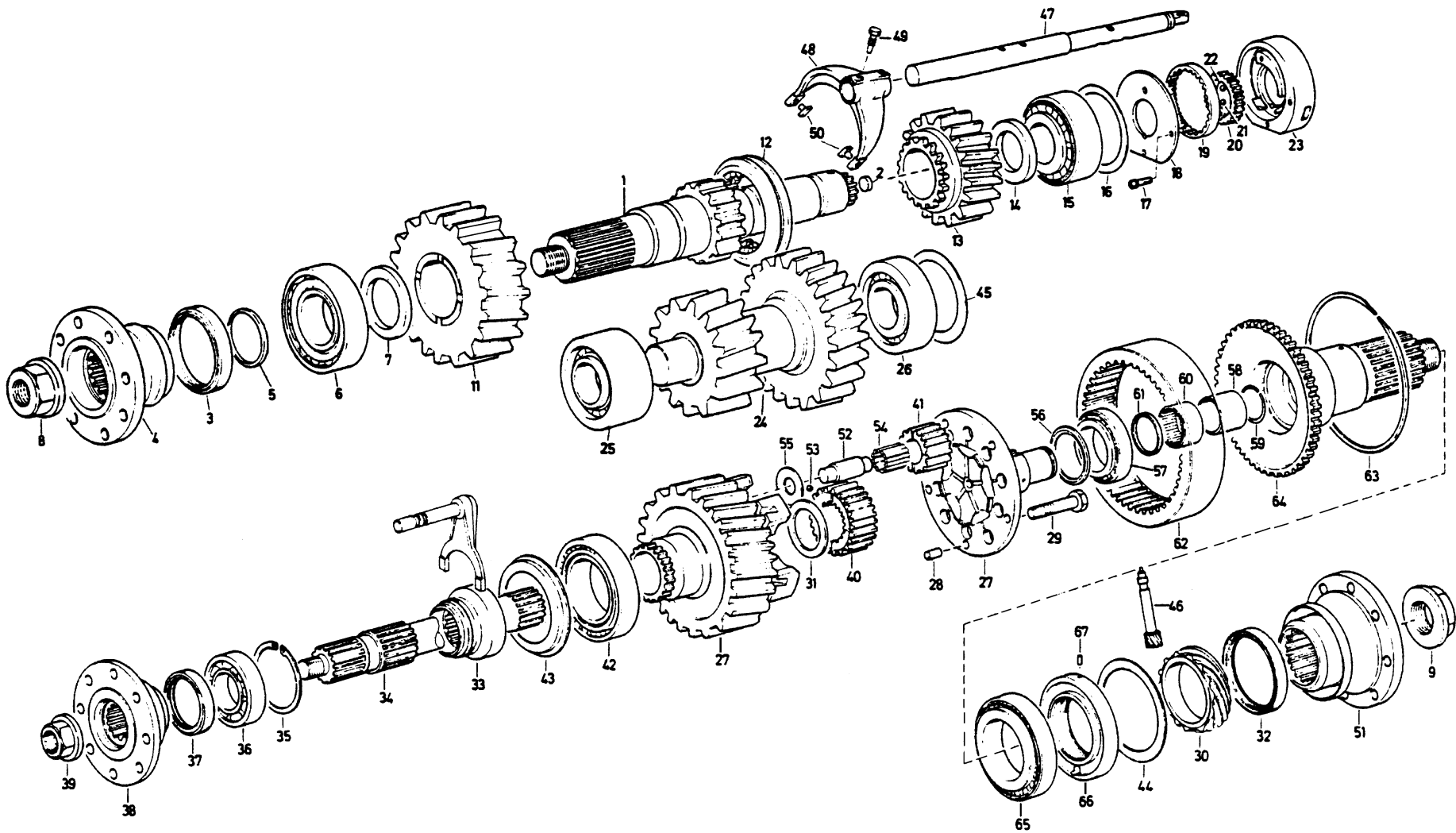


Nb	Number of part	Quantity	Description	Applicability	Designation	名称	Remark
1	1- 21- 225- 038	1			Driving shaft	输入轴	
2	190003961903	1			Locking cover	碗形堵塞	
3	190003078775	1	B20		Seal	油封 (即 9911425002)	
4	199114250184	1			Flange	后桥输出轴凸缘 $\Phi 165$	
4	1- 21- 225- 037	1			Flange	$\Phi 180$ 凸缘总成	
5	1- 99- 907- 052	2	S= 7		Adjusting washer	垫圈	
6	190003326236	1			Taper roller bearing	圆锥滚子轴承 30312GB/T297- 94	
7	1- 99- 907- 053	1	S= 6		Washer	垫圈	
8	1- 99- 905- 003	1			Nut	六角凸缘螺母	
9	1- 99- 905- 004	4			Nut	六角凸缘螺母	
11	199014250102	1	Z= 23		Helical gear	输入轴高档齿轮( Z= 23)	
12	199014250064	1			Sliding sleeve	换挡衬套	
13	199114250082	1	Z= 17 I= 1.75		Pignon	输入轴低档齿轮( 330 马力) ( 17)	
14	1880 250047	1			Washer	垫圈	
15	190003326534	1			Taper roller bearing	圆锥滚子轴承 32311GB/T297- 94	
16	1188 320021	nb			Adjusting washer	调整垫圈 0.1 厚	
16	1188 320022	nb			Adjusting washer	调整垫圈 0.2 厚	
16	1188 320023	nb			Adjusting washer	调整垫圈 0.4 厚	
16	199114250153	nb			Adjusting washer	调整垫圈 0.15 厚	
17	190003862316	4	M6x 16		Screw	内六角圆柱头螺钉- Q218B0616	
18	1- 99- 936- 002	1			Cover	油泵盖	
19	199012250101	1			Inner wheel	油泵齿圈	
20	199012250100	1			Outer wheel	油泵齿轮	
21	190003330105	1	6mm		Ball	钢球- 6. 0000 G200 b GB308	
22	190003330052	1	4. 5mm		Ball	钢球- 4. 5000 G200 b GB308	
23	1- 99- 936- 001	1			Housing	油泵壳体	

带轴间差速器

齿轮系

分动器VG1200, 取力器图6

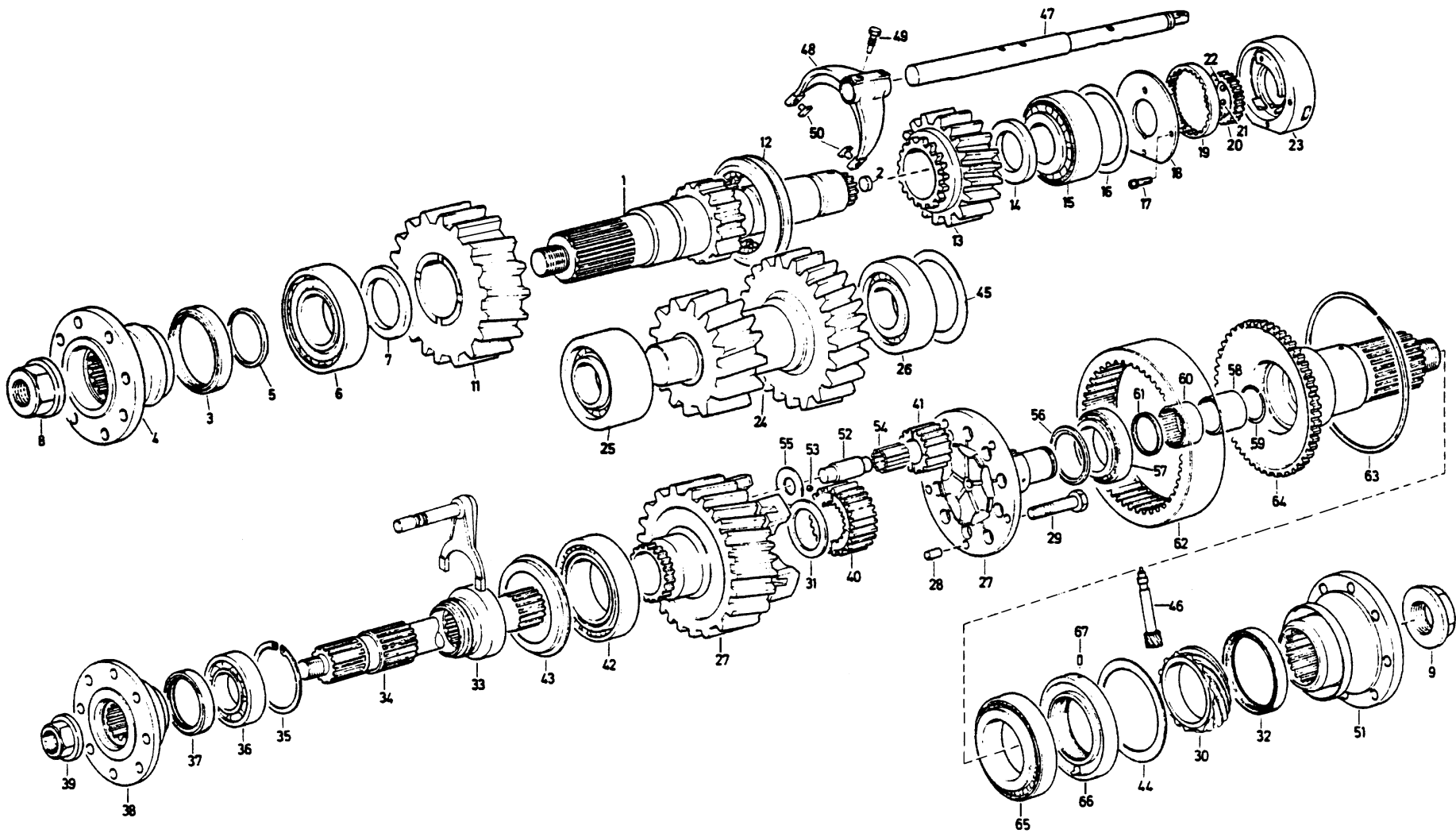


Nb	Number of part	Quantity	Description	Applicability	Designation	名称	Remark
24	199114250062	1			Gear	中间轴 17/ 22)	
25	199014250055	1			Roller bearing	圆柱滚子轴承	
26	190003323432	1			Roller bearing	圆柱滚子轴承 NJ310 EJA/ C3 GB/T283- 94	
27	199114250109	1			Plan. carrier	行星架总成( Z= 23)	
28	179200250035	5			Bolt	定位销	
29	190003802817	5			Screw	六角头螺栓	
30	199100370047	1			Driving wheel	里程表主动齿轮	
31	199114250012	1			Washer	垫圈	
32	190003078776	1			Seal	油封	
40	199114250003	1	<b>Z= 28</b>		Sun gear	太阳轮	
41	199114250002	5	<b>Z= 18</b>		Plan. gear	行星轮	
42	190003326164	1			Taper roller bearing	圆锥滚子轴承 3215 GB/ T297- 94	
43	199114250124	1			Washer	盖	
44	199014250079	nb	<b>S= 0.1</b>		Adjusting washer	调整垫圈	
44	199014250080	nb	<b>S= 0.2</b>		Adjusting washer	调整垫圈	
44	199014250081	nb	<b>S= 0.4</b>		Adjusting washer	调整垫圈	
44	199114250026	nb	<b>S= 1.0</b>		Adjusting washer	调整垫圈	
44	199114250028	nb	<b>S= 0.15</b>		Adjusting washer	调整垫圈	
45	1680M 250030	nb			Adjusting washer	调整垫片( 0.1 厚)	
45	1680M 250031	nb	<b>S= 0.2</b>		Adjusting washer	调整垫片	
45	1680M 250032	nb	<b>S= 0.5</b>		Adjusting washer	调整垫片	
46	199100370048	1			Speedom. pinion	里程表被动齿轮	
47	1- 21- 425- 016	1			Shifting rod	高低档拨叉轴	
48	199014250085	1			Shifting fork	拨叉	
49	12700 240064	2			Screw	锥形螺钉	

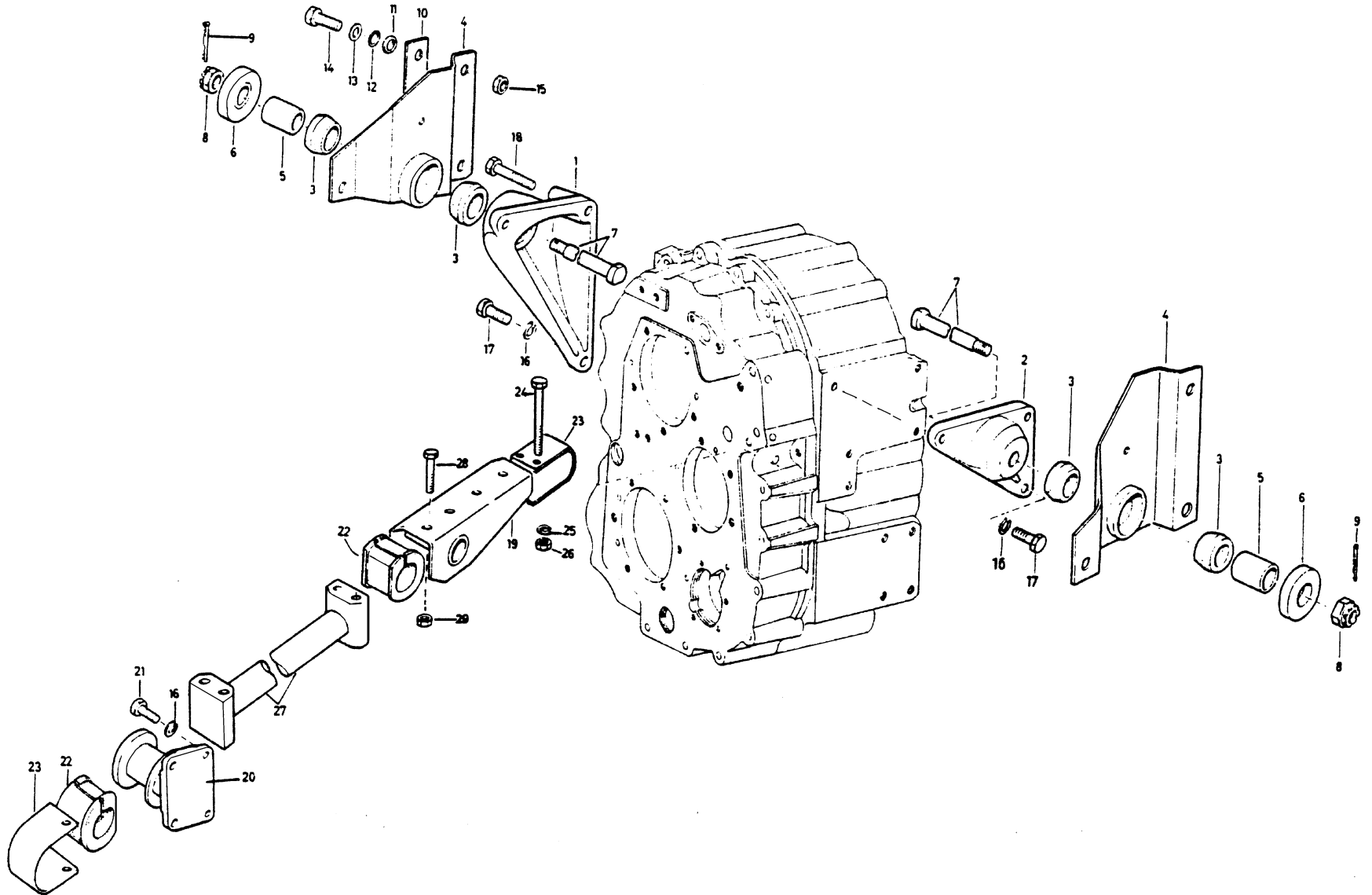
带轴间差速器

齿轮系

分动器VG1200, 取力器图6

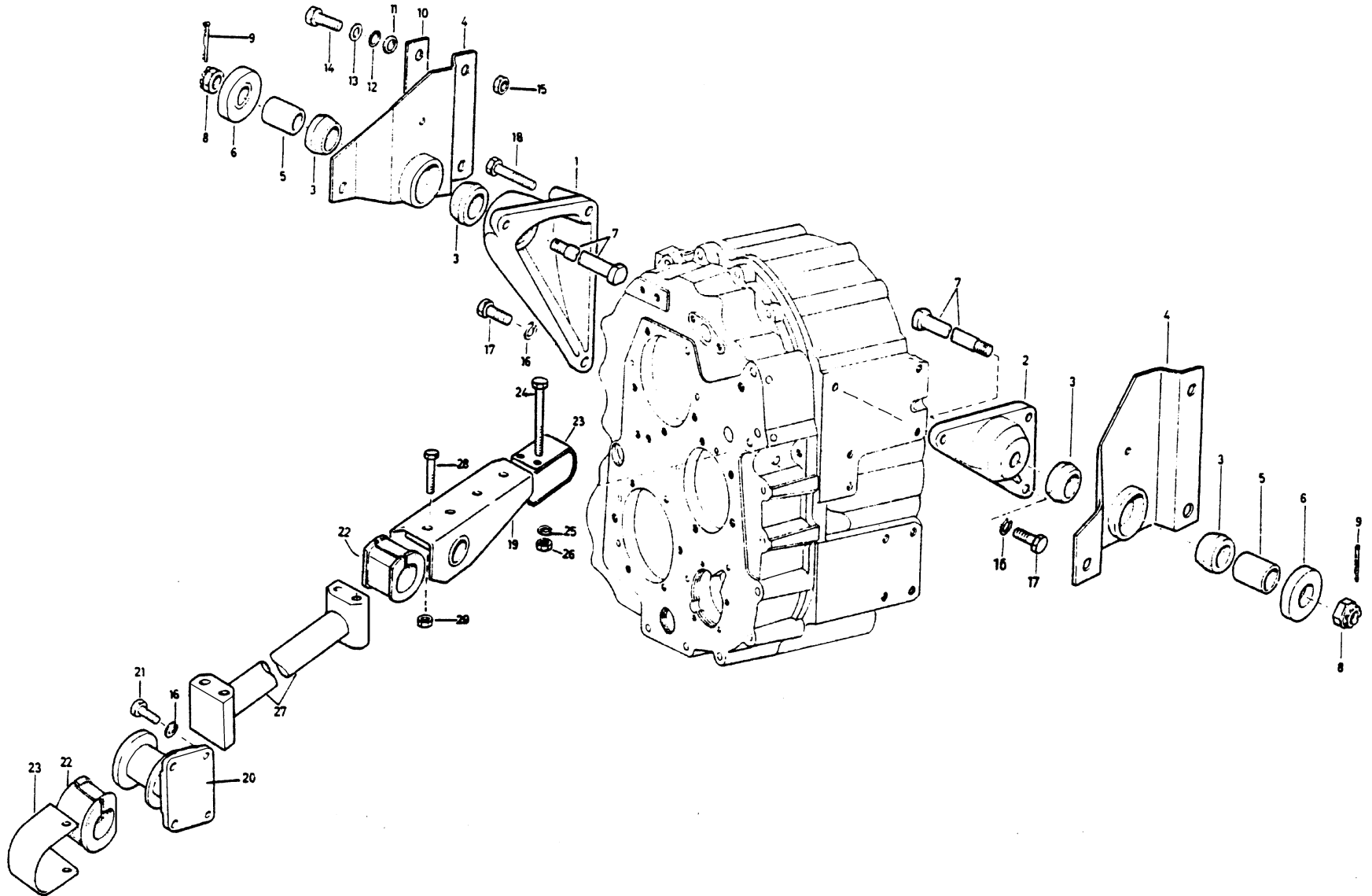


Nb	Number of part	Quantity	Description	Applicability	Designation	名称	Remark
50	11800 320077	2			Shifting block	拨叉活动块	
52	199114250107	2			Shaft- plan. gear	行星轮轴	
53	190003330105	5	6mm		Ball	钢球- 6.0000 G200 b GB308	
54	199114250016	5			Rolling body set	滚针组	
55	1- 99- 907- 055	5			Washer	垫片	
56	199114250015	10			Washer	垫圈	
57	190003326116	1			Taper roller bearing	圆柱滚子轴承 32011GB/T297- 94	
58	199114250018	1			Inner ring	轴承内圈	
59	190003936040	1			Snap ring	卡环	
60	199114250154	1			Needle sleeve	无内环滚针轴承	
61	199114250024	1			gaslet	密封圈	
62	179200250027	1			Inner ring gear	内齿圈	
63	1- 99- 917- 002	1			Circclip	挡圈	
64	199114250008	1			Output shaft	差速器齿圈支架	
65	190003326117	1			Taper roller bearing	圆锥滚子轴承 32016GB/T297- 94	
66	199114250022	1			Oil guide ring	回油环	
67	190003909588	1			Cyl. pin	弹性圆柱销- Q5280408	
68	1- 21- 425- 006	1			Sleeve	前桥齿合套	
69	199114250004	1			Shaft	前桥输出轴	
70	190003934500	1			Circclip	孔用弹性挡圈- Q430100	
71	190003311033	1			Grooved ball bear	深沟球轴承 6211GB/T276- 94	
72	190003078681	1			Seal	油封	
73	199114250014	1			Flange	Φ150 凸缘	
74	1- 99- 905- 003	1			Nut	六角凸缘螺母	





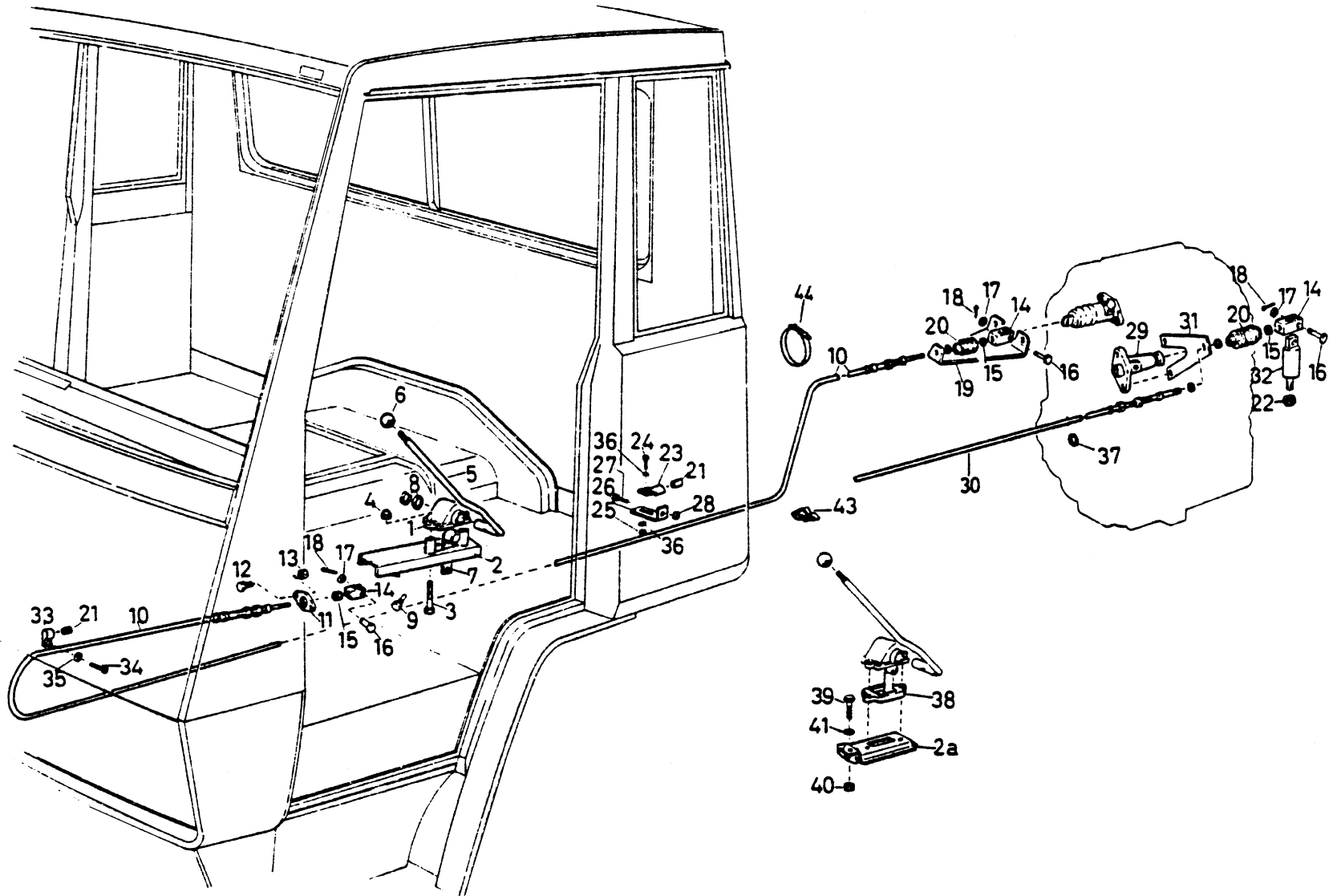
Nb	Number of part	Quantity	Description	Applicability	Designation	名称	Remark
1	199000260001	1			Bracket right	托架 右	
2	199000260002	1			Bracket left	托架 左	
3	199014260003	4			Spring puffer	橡胶轴承	
4	199000260010	2			Bracket assembly	轴承支架总成	
5	199014260007	2			Bush	隔套	
6	199014260012	2			Washer	垫圈	
7	199014250014	2			Bolt	轴承销	
8	190003872359	2	M20x 1.5		Crown nut	六角开槽薄螺母- 细- Q387B20T15	
9	Q5004036	2	4x 36		Split pin	开口销	
10	199000260005	nb			Plate	平衡板	
10	199000260006	nb			Plate	平衡板	
10	199000260007	nb			Plate	平衡板	
11	1180A 240030	nb			Shim	调整垫圈	
12	1614 060017	nb			Ring	张紧轮中间隔圈	
13	1288 720042	nb			Washer	垫圈	
14	Q151B1645	5	M16x 1.5x 45		Screw	六角头螺栓	
14	Q151B1450	1	M14x 1.5x 50		Screw	六角头螺栓	
15	190003888459	5	VM16x 1.5		Nut	自锁螺母	
17	Q151B1435	5	M14x 35		Screw	六角头螺栓	
18	Q151B1475	1	M14x 75		Screw	六角头螺栓	
19	199014260025	1			Bracket assembly	托架总成	
20	199000260013	1			Bracket assembly	轴承托架总成	
21	Q151B1425	4	M24x 25		Screw	小六角头螺栓	
22	1780 680031	2			Rubber bearing	橡胶轴承	
23	199000260023	2			Bearing shackle	U形轴承卡	
24	Q151C12100	4	M12x 1.5x 100		Screw	六角头螺栓	



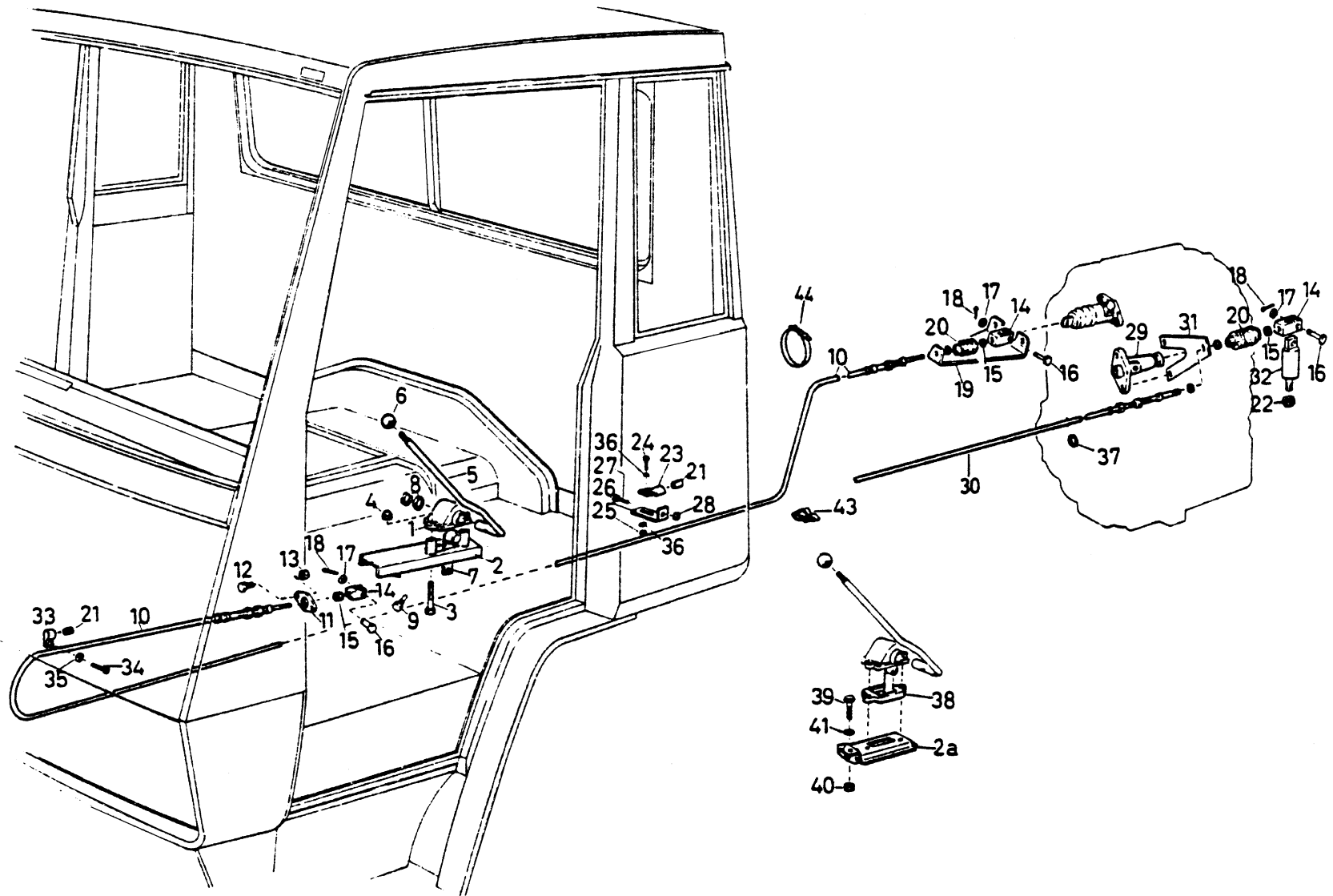
A7- 7

## SUSPENSION FOR VG1200 TRANSFER CASE/ VG1200 分动器支承装置

Nb	Number of part	Quantity	Description	Applicability	Designation	名称	Remark
25	Q40312	4	B12		Spring washer	弹簧垫圈	
26	Q341C12	4	M12x 1.5		Nut	1型六角螺母	
27	199114260003	1			Pipe	支柱管总成	
28	Q151B1645	4	M16x 1.5x 4		Screw	六角头螺栓	
29	190003888459	4	VM16x 1.5		Nut	自锁螺母	



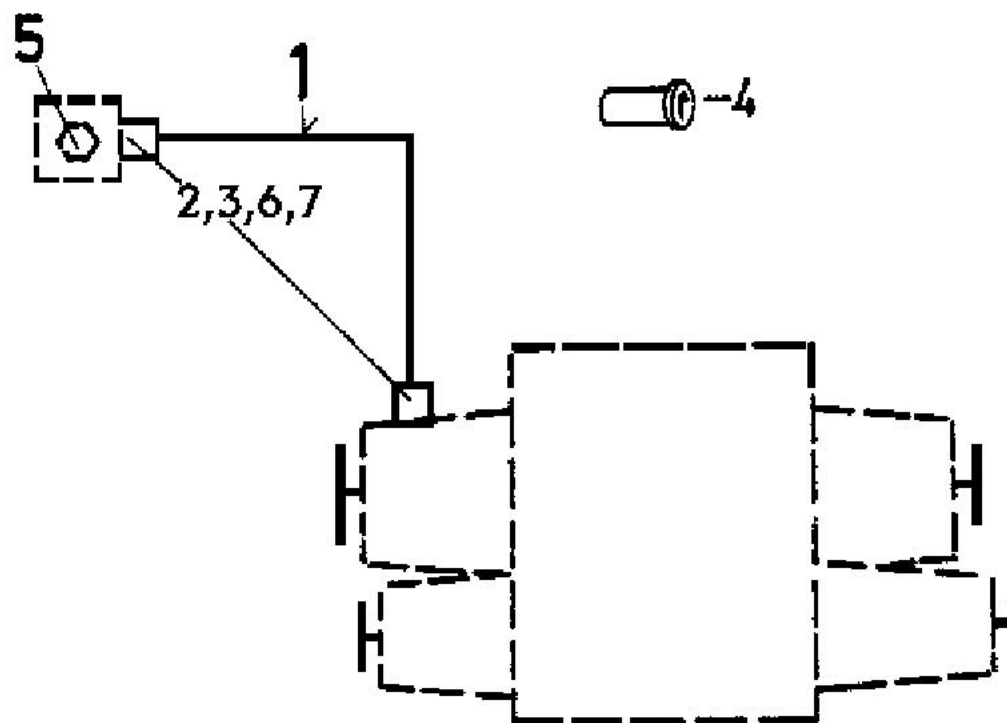
Nb	Number of part	Quantity	Description	Applicability	Designation	名称	Remark
1	1680 180025	1			Bearer	支座	
2	199100280001	1			Bracket	托架总成	
3	Q150B0865	2	M8× 65		Screw	小六角头螺栓	
4	Q33208	2	VM8		Nut	2型全金属锁紧螺母	
5	199100280046	1			Hand lever	操纵杆总成	
6	1680 350069	1			Ball handle	球头手柄	
7	199100280004	1			Lever	摇臂总成	
8	1680 350068	2			Washer	垫圈	
9	12700 2400064	1			Screw	锥形螺钉	
12	Q150B0620	2	M6× 20		Screw	六角头螺栓	
13	Q33206	2	VM6		Nut	2型全金属六角锁紧螺母	
14	199014280020	2			Fork head	连接叉	
15	Q340B06	2	M6		Nut	1型六角螺母	
16	Q5101024 H11)	2	10H11× 25× 24		Bolt	销轴	
17	Q40110	2	A10,5		Washer	平垫圈	
18	Q5003216	2	3.2× 16		Split pin	开口销	
20	199014280046	1			Cup	防尘罩	
21	190003489238	9	B11× 0.7		Hose	绝缘套管	
22	Q33210	1	M10		Nut	2型全金属六角锁紧螺母	
23	1680 360199	1			Clamp	夹子	
24	Q150B0620	1	M6× 20		Screw	六角头螺栓	
25	Q33206	1	M6		Nut	2型全金属六角锁紧螺母	
26	1397 350169	1			Angle	角形支架	
29	1880 250069	1			Flange	凸缘	
30	199100280027	1			Control cable	柔性拉杆	
31	199100280021	1			Bracket	托架	



A7- 8

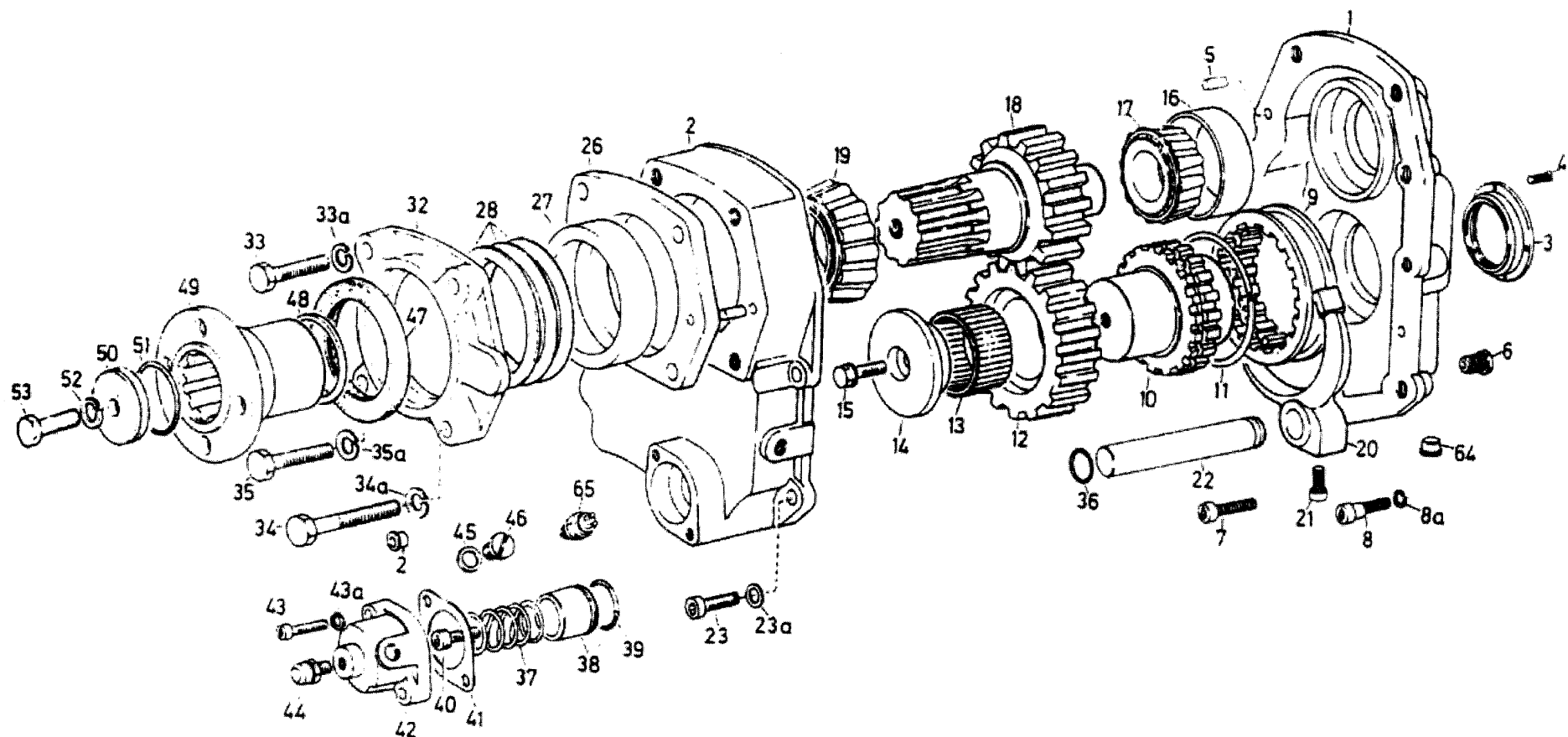
GEAR SHIFTING OF VG1200 TRANSFER CASE/ VG1200 分动器换档装置

Nb	Number of part	Quantity	Description	Applicability	Designation	名称	Remark
32	1- 21- 425- 011	1			Bolt	拨叉轴	
37	190003179045	2	a= 170		Edge protection	穿线护套	
44	190003171697	3	A5x 180		Wire fastener	塑料紧箍带	

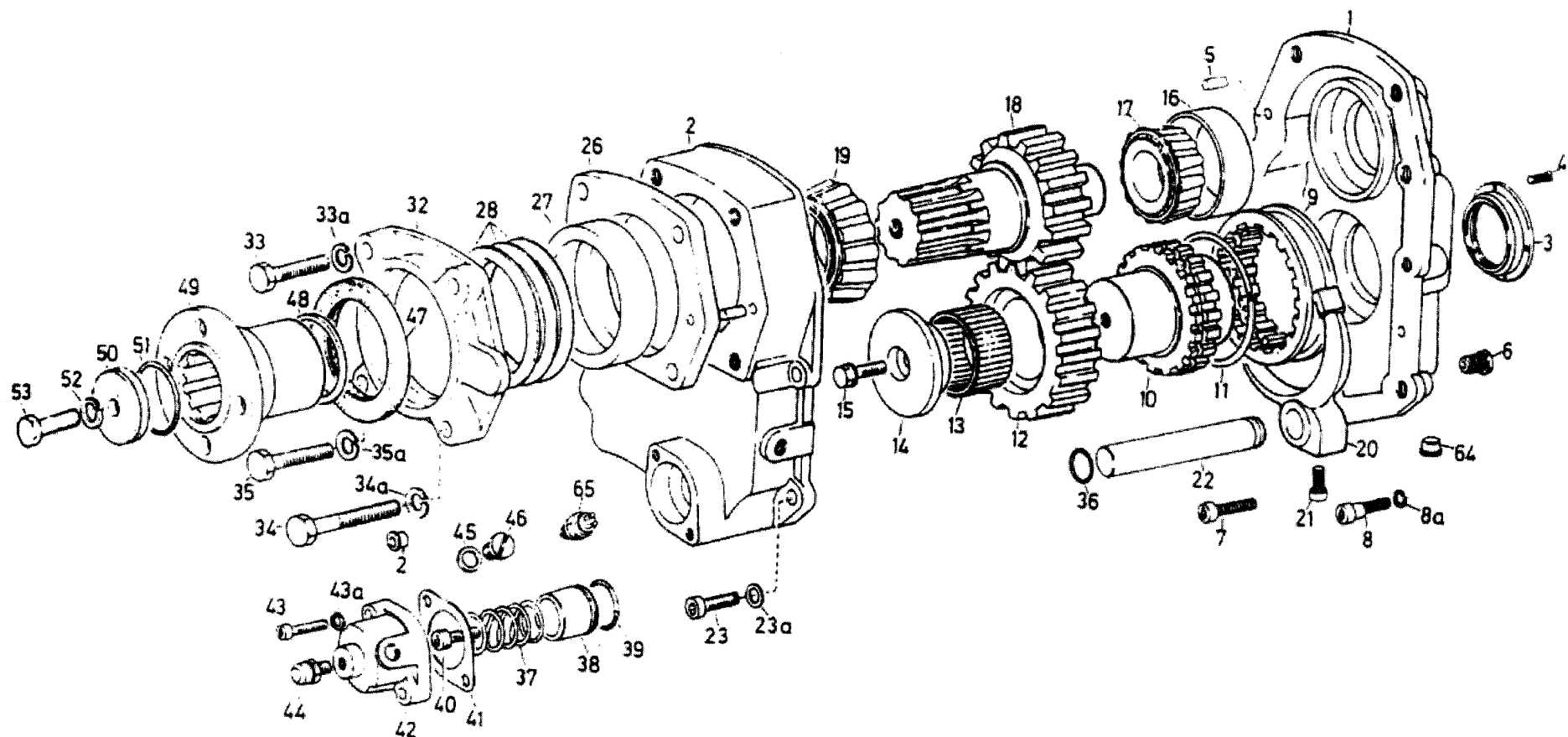




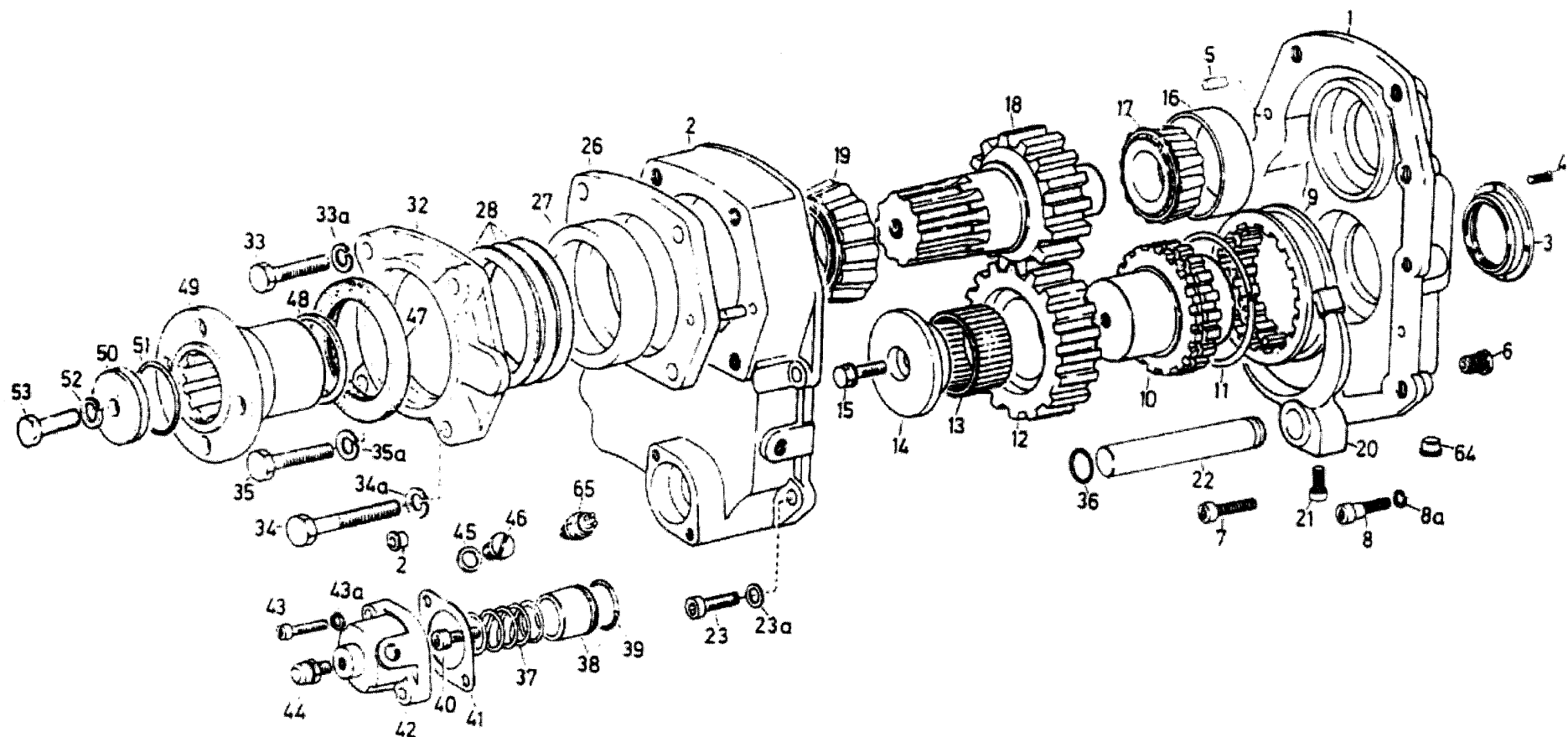
Nb	Number of part	Quantity	Description	Applicability	Designation	名称	Remark
1	190003179782				Plastic pipe	聚酰胺管子	
2	190003559766				Double nozzle	卡套式直通管接头	
2a	190003559482				Nozzle	卡套式三通管接头	
3	Q72312T5F				Gasket	密封垫圈	
4	199014280016	1			Sleeve	衬套	
5	179100710008				Solenoid valve	电磁阀	
6	190003559561				Cutting ring	卡套	
7	190003559516				Nut	管接头用螺母	
8	AZ.9632360201				Quick disconnect coupling	快插接头	
9	AZ.9632360201				Muffler	消音器	



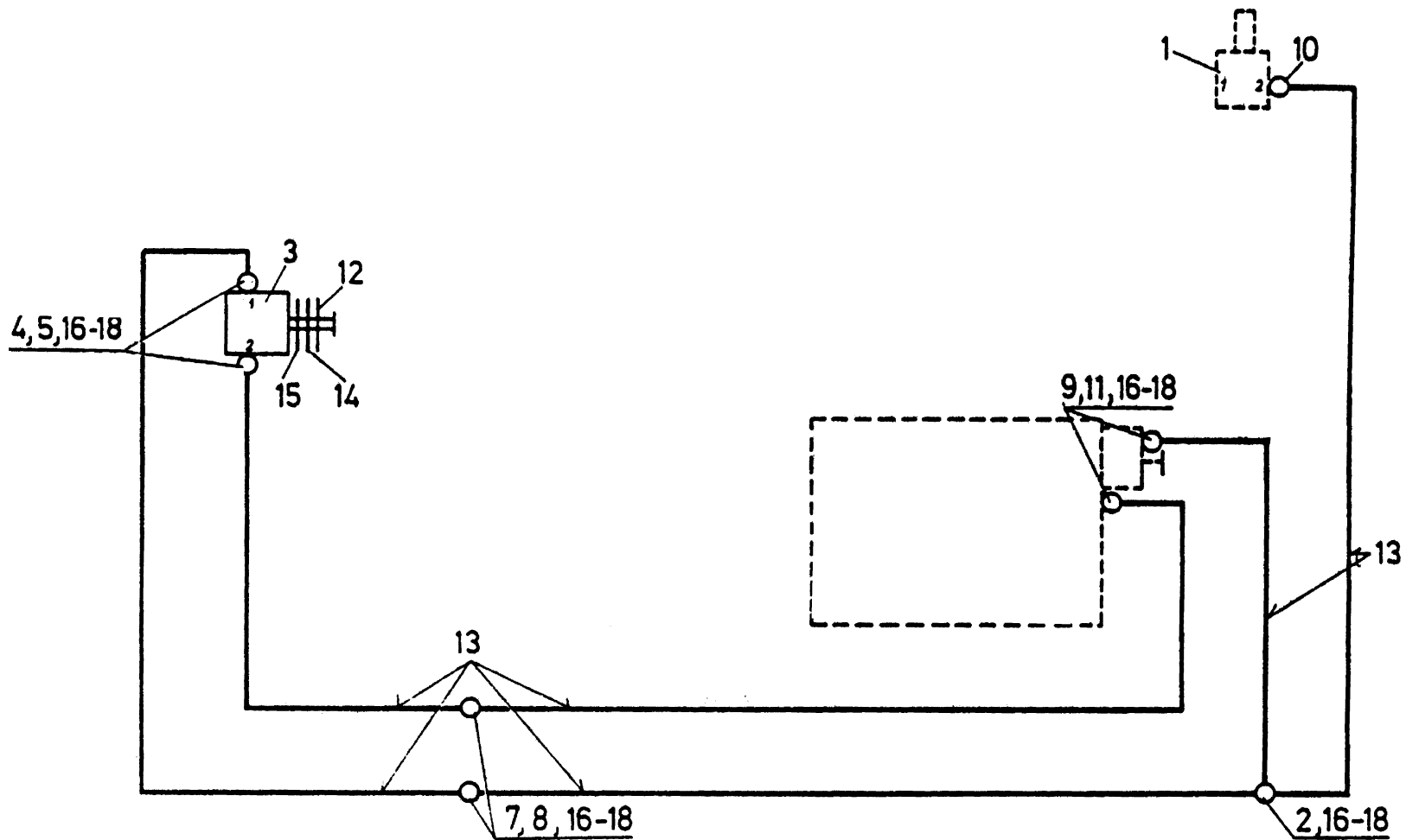
No	Number of part	Quantity	Description	Applicability	Designation	名称	Remark
	QH50	1		Fuller gearbox	Power take off C	取力器总成	
1	1-21-729-090	1			Housing	壳体	
2	1-21-729-105	1			Housing cover	盖	
3	1-21-729-092	1			Oil supply threaded ring	挡油盘	
4	-21-729-093	4			Counter screw	螺钉	
5	-21-729-003	2			Dowel pin	定位销	
6	-21-729-21	3			Screw	锁紧螺母	
7	1-21-729-059	1			Inner hex. bolt	内六角螺钉	
8	21-729-101	2			Dowel screw	锁紧螺母	
8a	1-21-729-091	2			Spring washer	弹簧垫圈	
9	QH50-4211302	1			Sliding sleeve	啮合套	
10	QH50-4211105	1			Clutch support	空心轴	
11	QH50-4211111	1			Spring Gear	支撑弹簧	
12	QH50-4211106	1			Gear	输入齿轮	
13	K505517	2			Needle bearing	滚针轴承	
14	QH50-4211104	1			Washer	输入齿轮挡圈	
15	1-21-729-100	1			Screw	螺钉	
16/17	32205	1			Roller bearing	圆锥滚子轴承	
18	QH50-4211201	1			Drive shaft	输出齿轮轴	
19	30208	1			Roller bearing	圆锥滚子轴承	
20	QH50-4211301	1			Shifting fork	拨叉	
21	QH50-4211312	1			Inner hex. bolt	拨叉定位螺钉	
22	QH50-4211305	1			Piston rod	拨叉轴	
23	-21-729-084	5			Inner hex. bolt	内六角螺钉	
23a	-21-729-106	5			Spring washer	弹簧垫圈	
25	-21-729-021	2			Plug	销	



No	Number of part	Quantity	Description	Applicability	Designation	名稱	Remark
26	1-21-729-124	1			Intermed. housing	过桥盘	
27	1-21-729-111	1			Out ring	轴承外圈	
28	QH50-4211203	1			Shim	调整垫片	
32	-21-729-125	1			Bearing cover	轴承盖	
33	-21-729-126	2			Screw	螺栓	
33a	-21-729-109	2			Spring washer	弹簧垫圈	
34	-21-729-127	2			Screw	螺栓	
34a	-21-729-109	2			Spring washer	弹簧垫圈	
35	-21-729-128	1			Screw	螺栓	
35a	-21-729-109	1			Spring washer	弹簧垫圈	
36	-21-729-112	1	16×2.65		O-ring	O型圈	
37	QH50-4211311	1			Spring	回位弹簧	
38	QH50-4211310	1			Piston	活塞	
39	-21-729-115	1	21.2×3.55		O-ring	O型圈	
40	-21-724-132	1			Inner hex. bolt	内六角螺钉	
41	QH50-4211307	1			Joint	密封垫	
42	QH50-4211306	1			Cyl. cover	气缸体	
43	-21-729-118	2			Inner hex. bolt	内六角螺钉	
43a	-21-729-011	2			Spring washer	弹簧垫圈	
44	15726	1			Breather	通气塞	
45	-21-724-040	1			Joint	密封垫	
46	-21-724-042	1			Locking screw	堵塞	
47	QH50-4211202	1			Gasket	密封垫板	
48	-21-729-049	1			Distance ring	隔环	
49	QH50-A	1			Flange	法兰	
50	-21-729-034	1			Supporting plate	固定板	

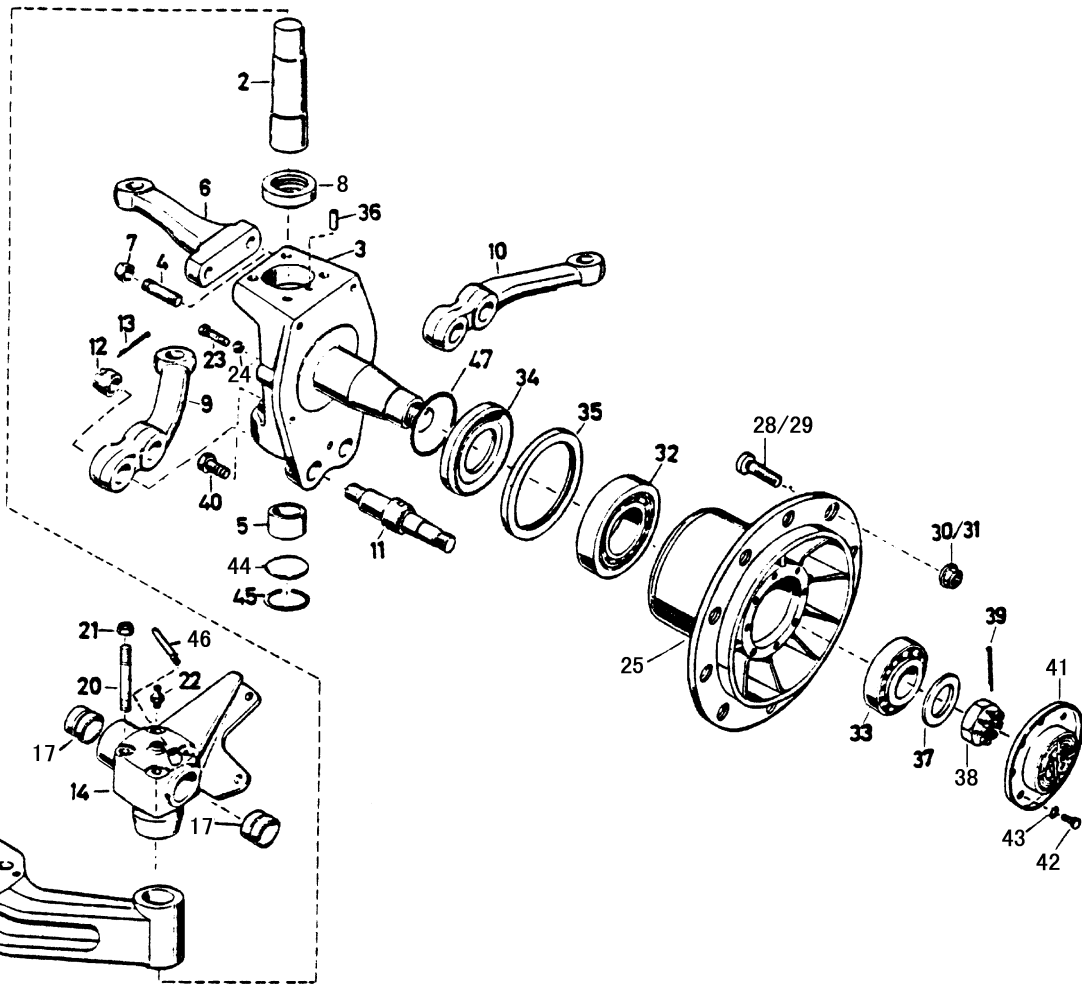
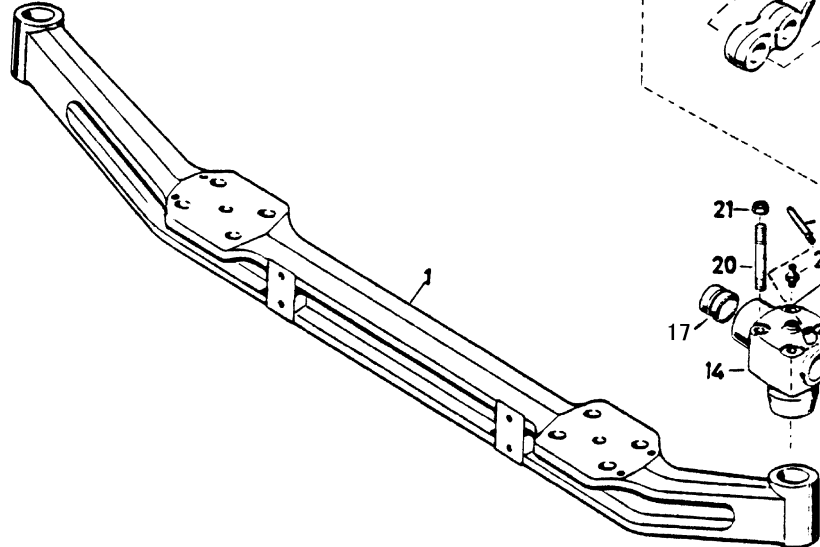
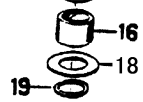
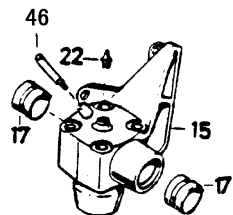


No	Number of part	Quantity	Description	Applicability	Designation	名称	Remark
51	-21-729-035	1	35.5×3.55		O-ring	O型圈	
52	-21-729-0130	1			Washer	垫圈	
53	-21-729-0131	1			Screw	螺栓	
65	79100710068	1			Pressure switch	压力开关	

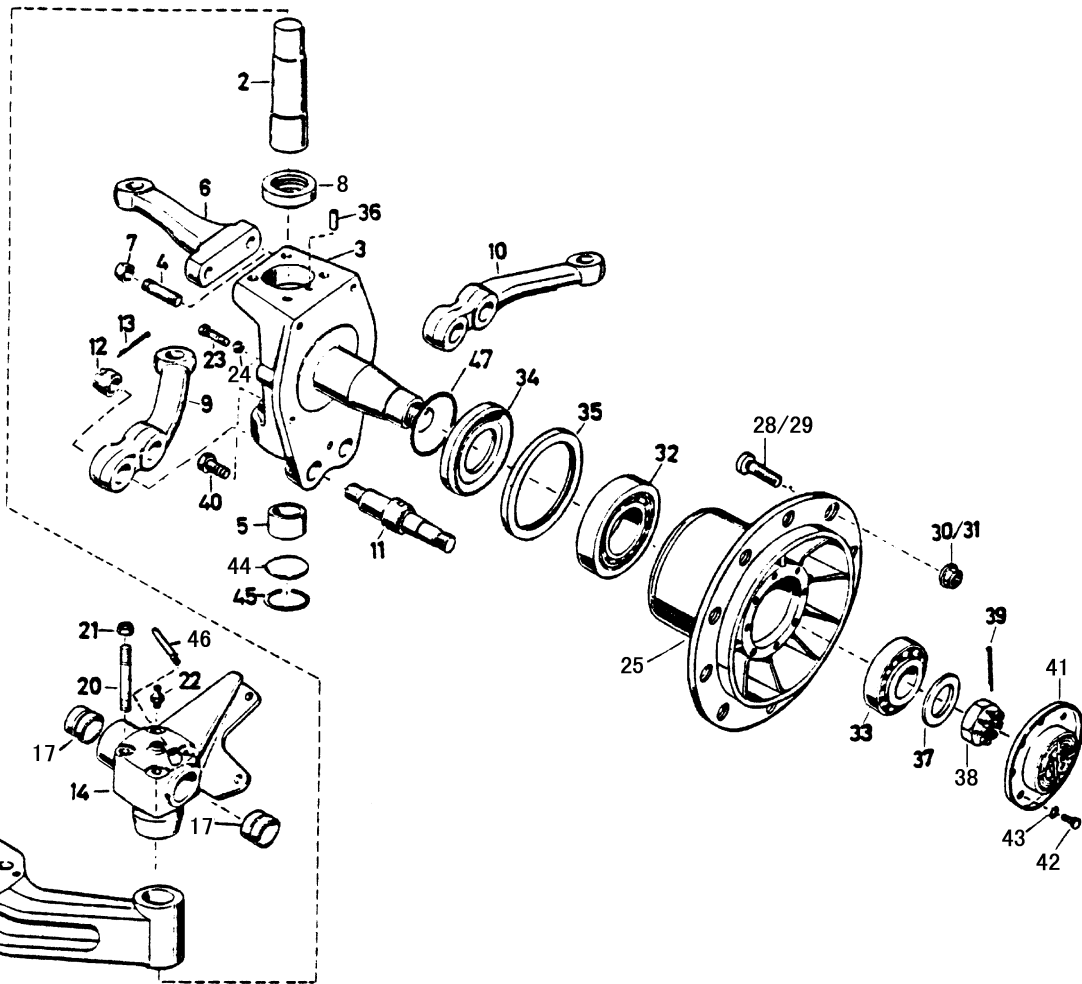
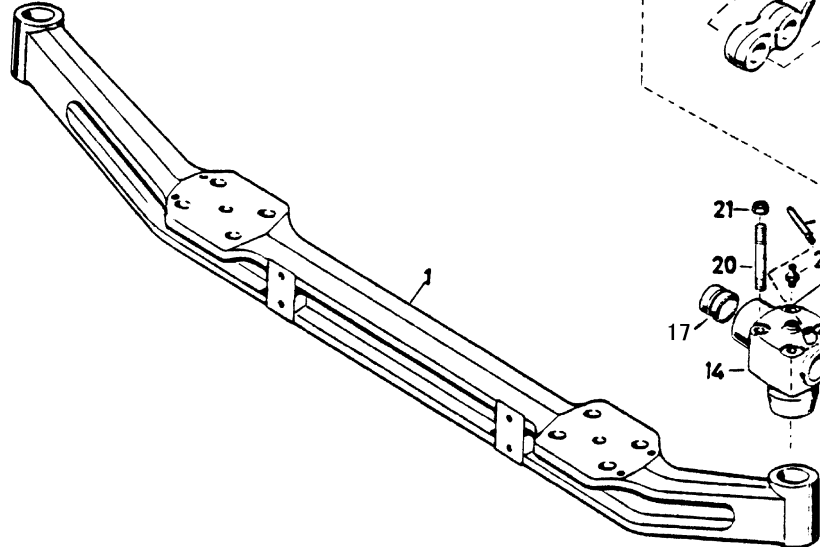
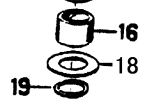
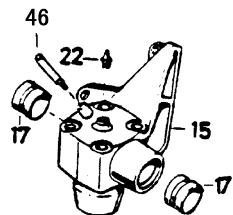




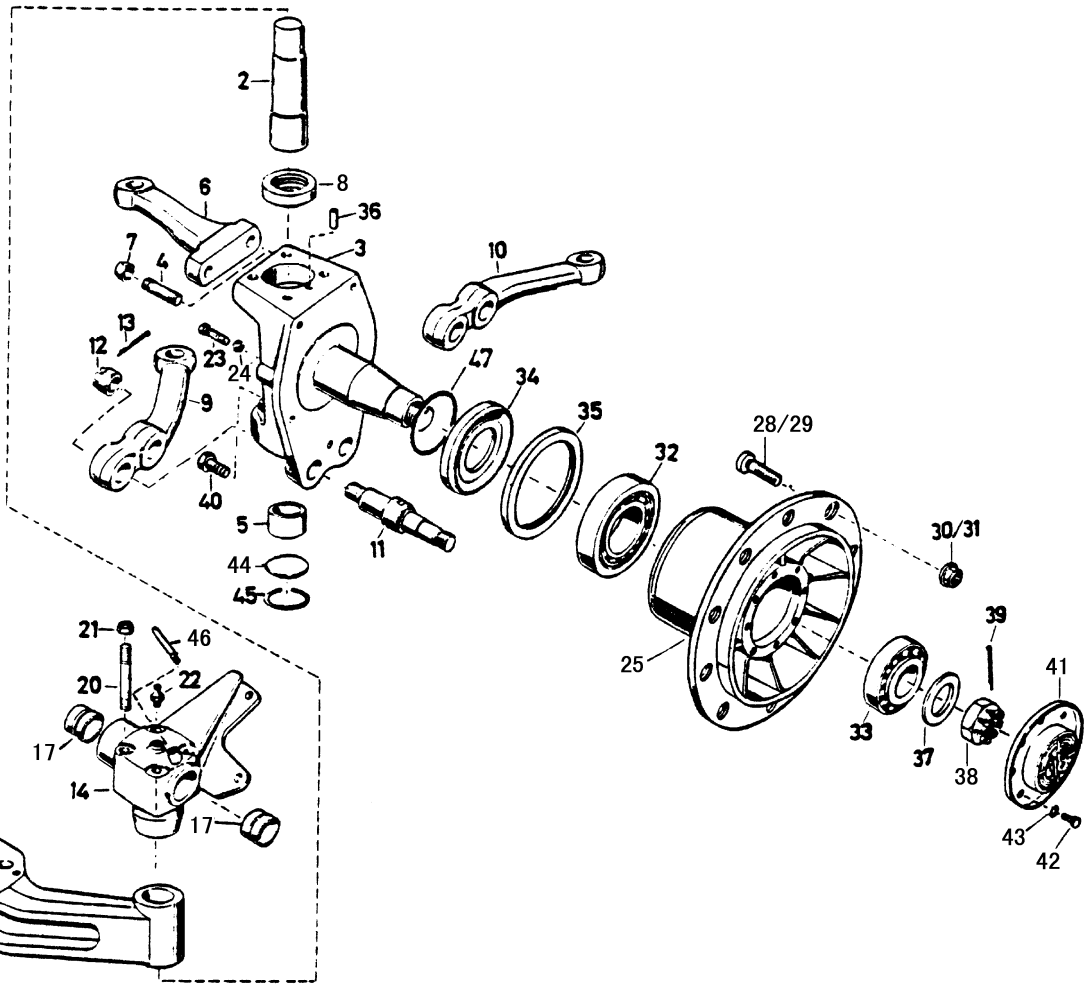
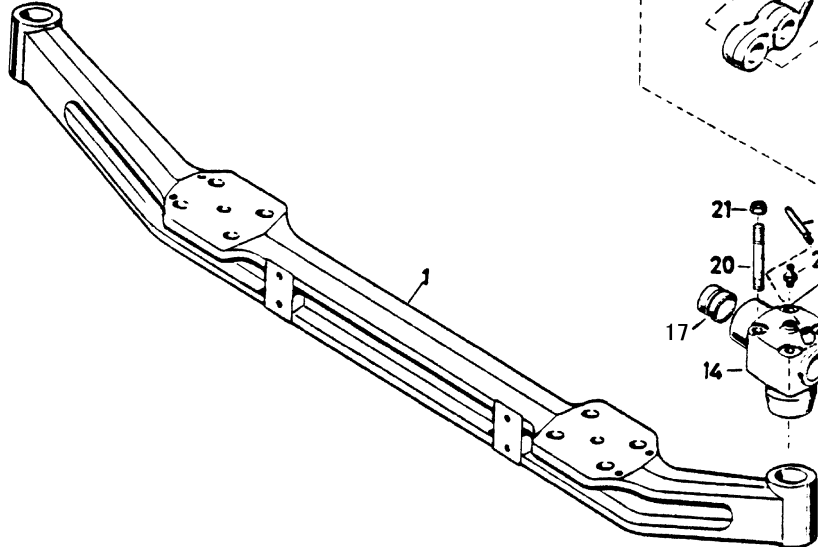
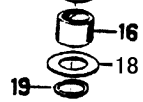
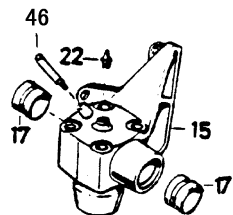
No	Number of part	Quantity	Description	Applicability	Designation	名称	Remark
1	179100710008	1			Solenoid valve	电磁阀	
2	190003559482	1			Nozzle	卡套式三通管接头	
3	179100360032	1			Shifting valve	开关阀	
4	190003559496	2			Nozzle	卡套式单端直角接头体	
5	190003098012	1			Gasket	密封垫圈—Q72312T5F	
7	190003871526	2			Nut	六角薄螺母—Q351C12T15	
8	190003559472	2			Nozzle	卡套式隔壁直通接头体	
9	199112280011	2			Nozzle	直通接头体	
10	190003559766	1			Double nozzle	卡套式直通管接头	
11	190003098012	1			Gasket	密封垫圈—Q7231T5F	
12	199100270057	1			Plate	粘附铭牌	
13	190003179782	134			Plastic pipe	聚酰胺管子	cm
14	199100270003	1			Nut	六角螺母	
15	AZ9100270001	1			Washer	垫圈总成	
16	199014280016	12			Sleeve	衬套	
17	190003559516	12			Nut	管接头用螺母	
18	190003559561	12			Cutting ring	卡套	



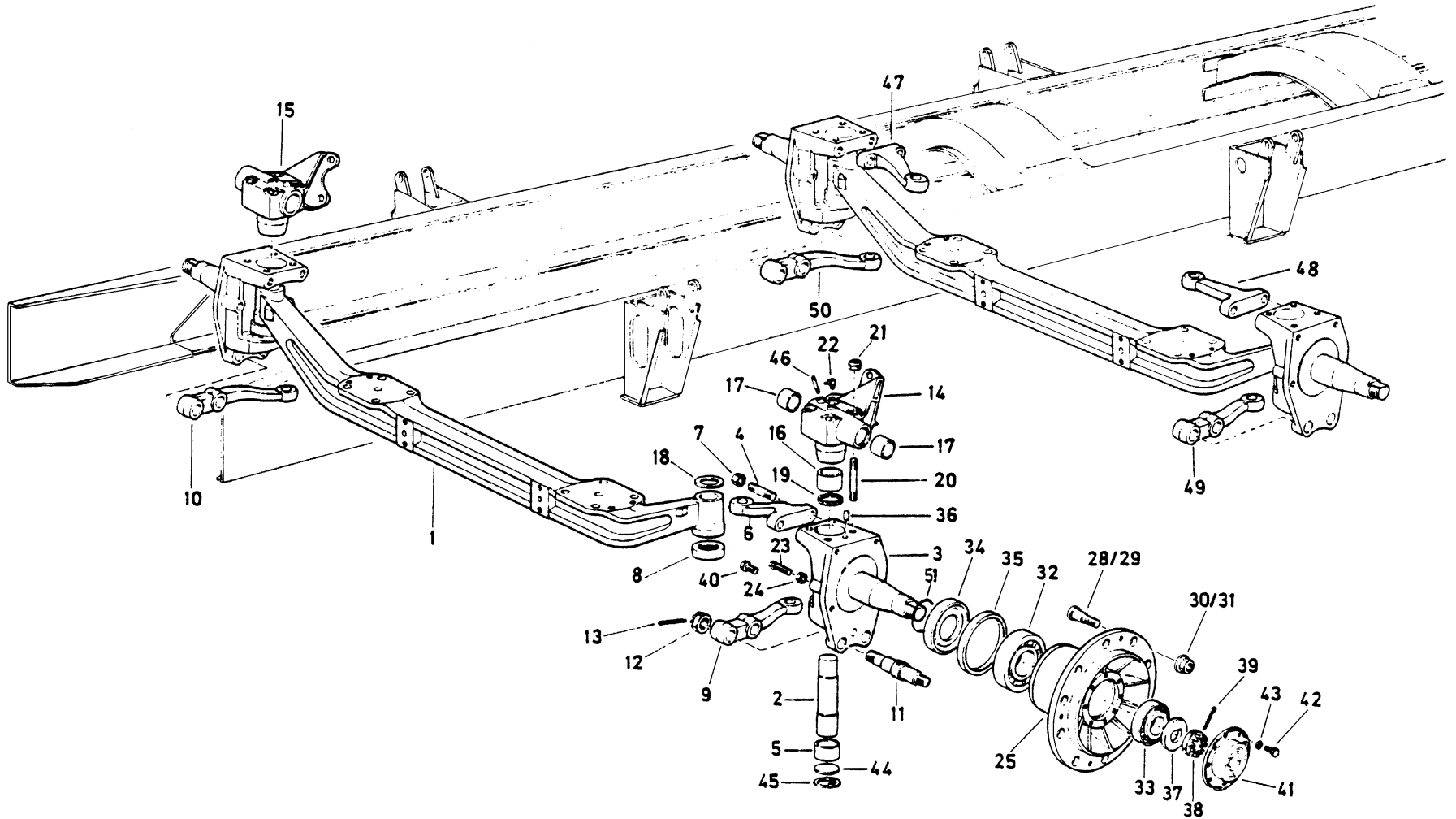
No	Number of part	Quantity	Description	Applicability	Designation	名称	Remark
0	AH71141.00705	1			HOWO front steering axle	HOWO 7吨前轴总成	
0	IF7140.100102	1		SIEYR 6.5T	6.5T Front steering axle	6.5吨前轴	
0	AH1941.00101	1		SIEYR 6.5T	6.5T Front steering axle with ABS	6.5吨前轴带ABS	Option
0	AH71141.00701	1		HOWO 7T	HOWO 7T Front steering axle with ABS	HOWO 7吨前轴带ABS	Option
1	1830 410103	1		SIEYR 6.5T	Front axle SIEYR	SIEYR 前轴总成	
1	AZ9719410103	1		HOWO 7T	Front axle C HOWO	HOWO 前轴	
1-1	1830 410054	1		SIEYR 6.5T	Front axle	前轴	
1-1	AZ9719410054	1		HOWO 7T	Front axle	前轴	
2	1830 410031	2			Knuckle pin	转向节销	
3	199112410057	1			Left knuckle assembly	转向节总成左	
3a	199112410058	1			Right knuckle assembly	转向节总成右	
4	1830 410060	4			Stud	双头螺柱	
5	1830 410029	2			Bushing	衬套(43.8×57.5)	
6	19900410045	1		4×2 driving right	Steering Arm	转向节臂	
6	199114410001	1		6×2, 6×4 driving right	Steering Arm	转向节臂	
6	19900410001	1		4×2	Steering Arm	转向节臂	
6	199014410001	1		6×2, 6×4	Steering Arm	转向节臂(加强前簧)	Reinforced front spring
6	AZ9719410001	1		HOWO front axle	Steering knuckle arm	转向节臂	
7	Q33018	4			Nut fastener	自锁螺母	
8	WG330 410049	2			Bearing	推力滚柱轴承	
9	1830 410041	1		SIEYR 6.5T	Tie Rod Arm(left)	转向横拉杆臂(左)	
9	AZ9160410121	1		HOWO 7T	Tie Rod Arm(left)	HOWO 转向横拉杆臂(左)	
10	1830 410040	1		SIEYR 6.5T	Tie Rod Arm(right)	转向横拉杆臂(右)	
10	AZ9160410120	1			HOWO Tie rod arm(right)	HOWO 转向横拉杆臂(右)	
11	1830 410038	4			Brake shoe pin	制动蹄支承销	
12	Q381B27	2			Castle Nut	六角槽形扁螺母(细牙)	



No	Number of part	Quantity	Description	Applicability	Designation	名称	Remark
13	Q5005050	4			Cotter pin	开口销	
14	AZ9100410032	1			Bracket assembly(left)	支架总成(左)	
15	AZ9100410036	1			Bracket assembly(right)	支架总成(右)	
16	1880 410035	2			Bushing	衬套	
17	AZ9100340017	4			Complex bushing	复合衬套	
18	1880 410094	nB	S= 2.2mm		Shim	垫圈	
18	1880 410095	nB	S= 2.3mm		Shim	垫圈	
18	1880 410096	nB	S= 2.4mm		Shim	垫圈	
18	1880 410097	nB	S= 2.5mm		Shim	垫圈	
18	1880 410104	nB	S= 2.0mm		Shim	垫圈	
18	1880 410105	nB	S= 2.1mm		Shim	垫圈	
18	1880 410106	nB	S= 2.6mm		Shim	垫圈	
18	1880 410107	nB	S= 2.7mm		Shim	垫圈	
18	1880 410108	nB	S= 2.8mm		Shim	垫圈	
19	1880 410052	2			"O" ring	O型密封圈	
20	1880 410075	8			Stud	双头螺栓	
21	Q33014	8			Nut	自锁螺母	
22	Q701B70	2			Grease fitting	弯颈油脂嘴	
23	1880 410059	2			Adjusting bolt	调整螺钉	
24	Q351B14T15	2			Nut	六角薄螺母	
25	199112410009	2			Front hub	前轮毂	
25a	WG9112410019	2		for ABS	Ring gear for ABS	齿圈	Option
29	AZ9100410104	20			Wheel bolt	车轮螺栓	
30	WG9003889160	20			Nut	车轮螺母	
32	32314	2		GB/T297	Bearing	圆锥滚子轴承	
33	32310	2		GB/T297	Bearing	圆锥滚子轴承	

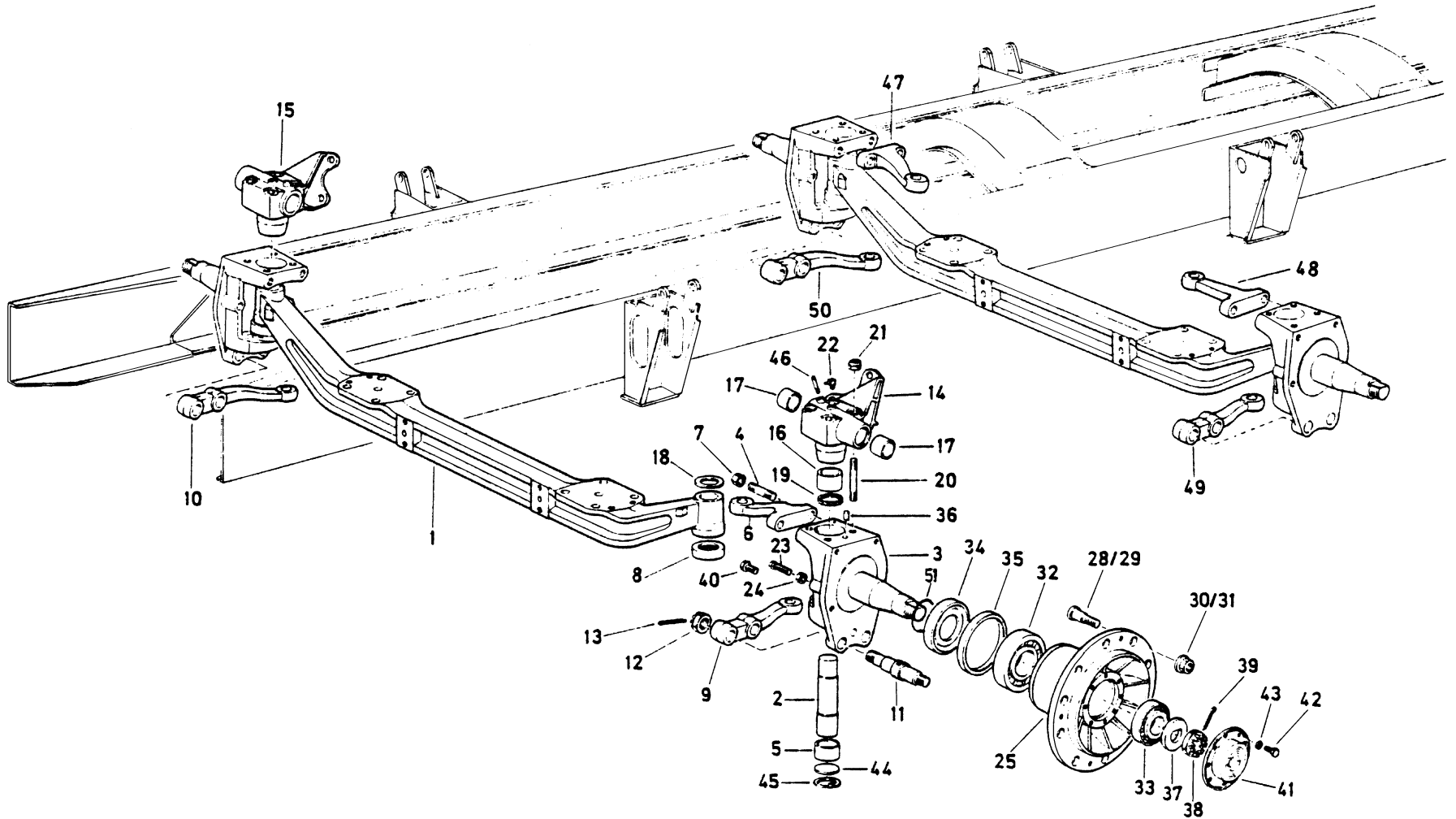


No	Number of part	Quantity	Description	Applicability	Designation	名称	Remark
34	199000410114	2			Spacers	隔环	
35	AZ9100410061	2			Seal	轴用密封圈	
36	Q5211016	2			Pin	圆柱销	
37	AZ9100410062	2			Washer	垫片	
38	AZ9100411140	2			Knuckle lock nut	转向节锁紧螺母	
39	Q5006370	2			Cotter pin	开口销	
40	Q151C1220	4			Cap screw	六角头螺栓	
41	1880 410043	2			Cap	罩	
42	Q150E0816	16			Cap screw	六角头螺栓	
43	Q40308	16			Spring shim	弹簧垫圈	
44	1880 410100	2			Cap	盖	
45	Q43056	2			Spacers	孔用弹性挡圈	

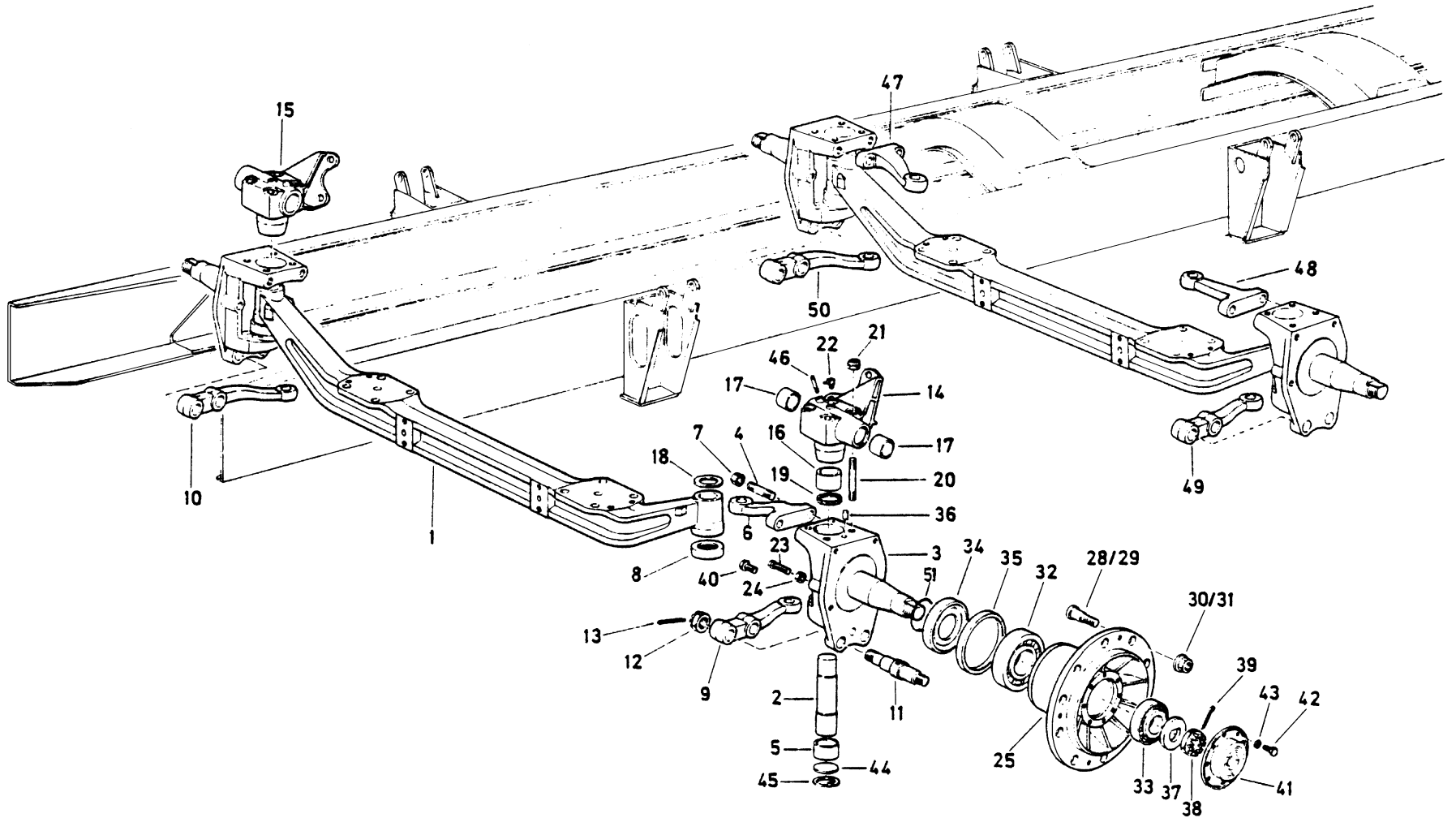




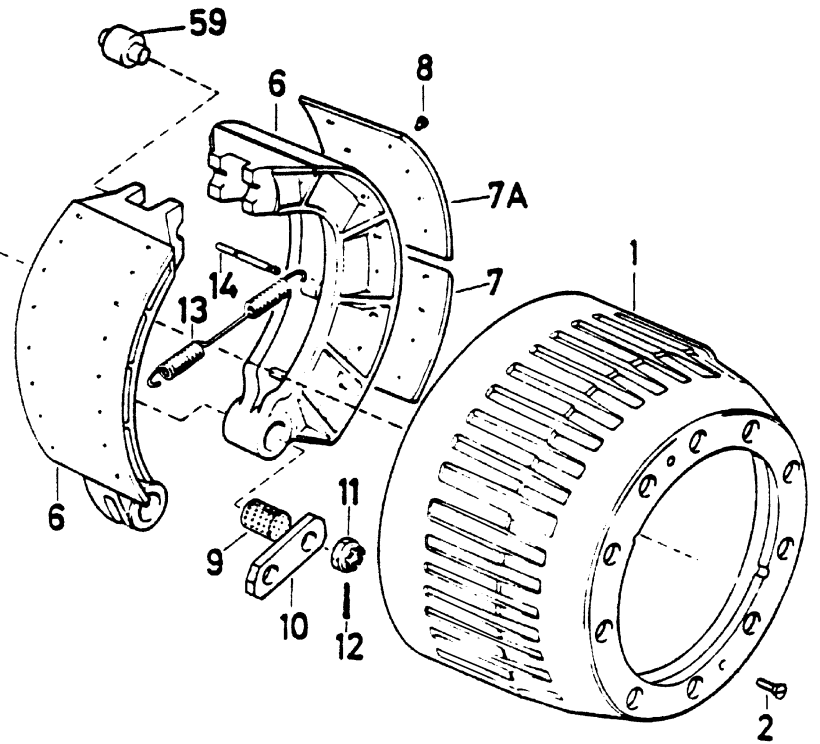
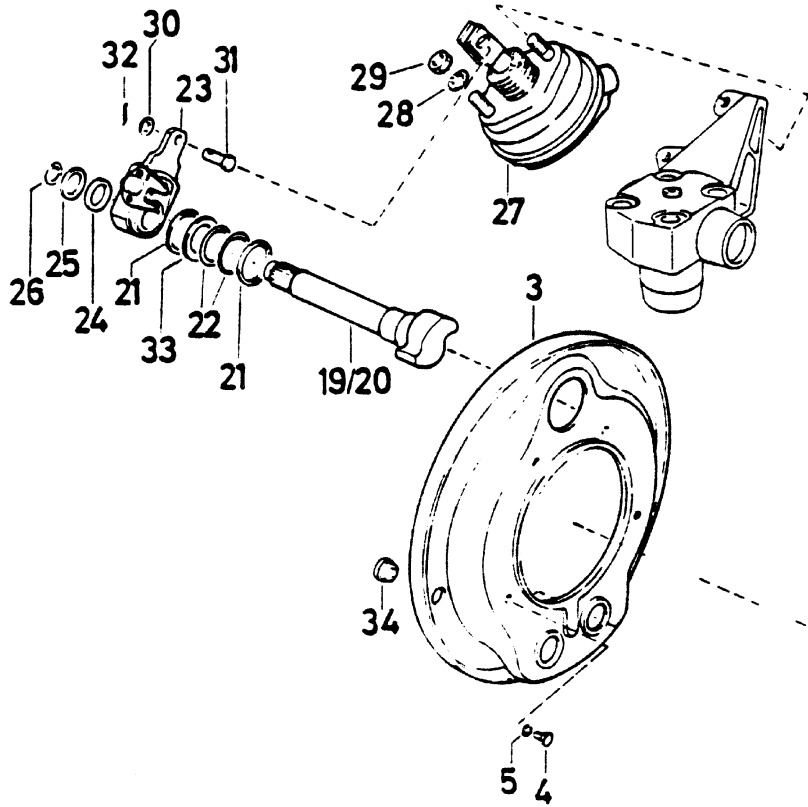
No	Number of part	Quantity	Description	Applicability	Designation	名称	Remark
0	AH71141.00107	1		8×4	SIEYR first front axle	SIEYR 8×4 第一前轴	
0	AH71141.00108	1		8×4	SIEYR first second axle with ABS	SIEYR 8×4 第二前轴带 ABS	
0	AH71141.00108a	1		8×4	SIEYR first second axle	SIEYR 8×4 第二前轴	
0	AH71141.00707	1		8×4	HOWO first front axle	HOWO 8×4 第一前轴	
0	AH71141.00708	1		8×4	HOWO first second axle with ABS	HOWO 8×4 第二前轴带 ABS	
0	AH71141.00708a	1		8×4	HOWO first second axle	HOWO 8×4 第二前轴	
1	1880 410103	2			SIEYR 6.5T front axle C	SIEYR 6.5T 前轴总成	
1	AZ9719410103	2			HOWO 7T front axle C	HOWO 7T 前轴总成	
1-1	AZ9719410054	2			HOWO 7T front axle	HOWO 7T 前轴	
1-1	1880 410054	2			SIEYR Front axle	前轴	
2	1880 410031	4			King pin	转向节销	
3	199112410057	2			Left knuckle assembly	转向节总成左	
3a	199112410058	2			Right knuckle assembly	转向节总成右	
4	1880 410060	6			Double screw	双头螺栓	
5	1880 410029	4			Bushing	衬套(43.8×57.5)	
6	199000410045	1		SIEYR 4×2 driving right	Steering knuckle arm	转向节臂	
6	199114410001	1		SIEYR 6×2, 6×4 driving right	Steering knuckle arm	转向节臂	
6	AZ9719410001	1		HOWO front axle	Steering knuckle arm	转向节臂	
6	199000410001	1		SIEYR first front axle	Steering knuckle arm for reinforced spring	转向节臂	
6	199014410001	1		SIEYR reinforced front spring	Steering knuckle arm	转向节臂	加强前板簧
7	Q33018	4			Lock nut	自锁螺母	
8	WC880 410049	4			Bearing	推力滚柱轴承	
9	199018410005	1			Tie rod arm(left)	转向横拉杆臂(左)	
9	AZ9731410041	1		HOWO front axle	Tie rod arm(left)	转向横拉杆臂(左)	
10	199018410004	1			Tie rod arm(right)	转向横拉杆臂(右)	
10	AZ9731410040	1		HOWO front axle	Tie rod arm(right)	转向横拉杆臂(右)	



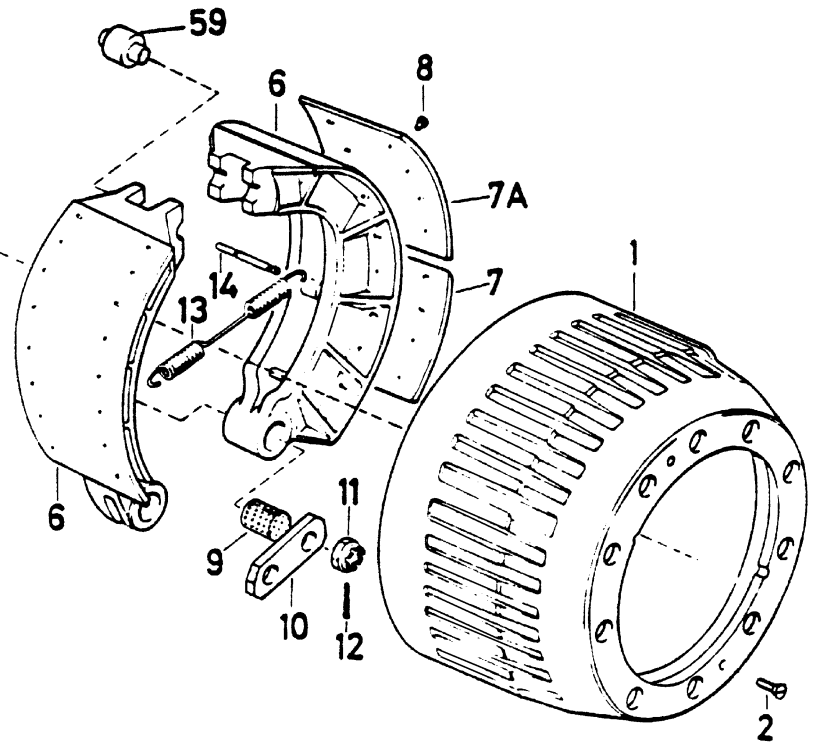
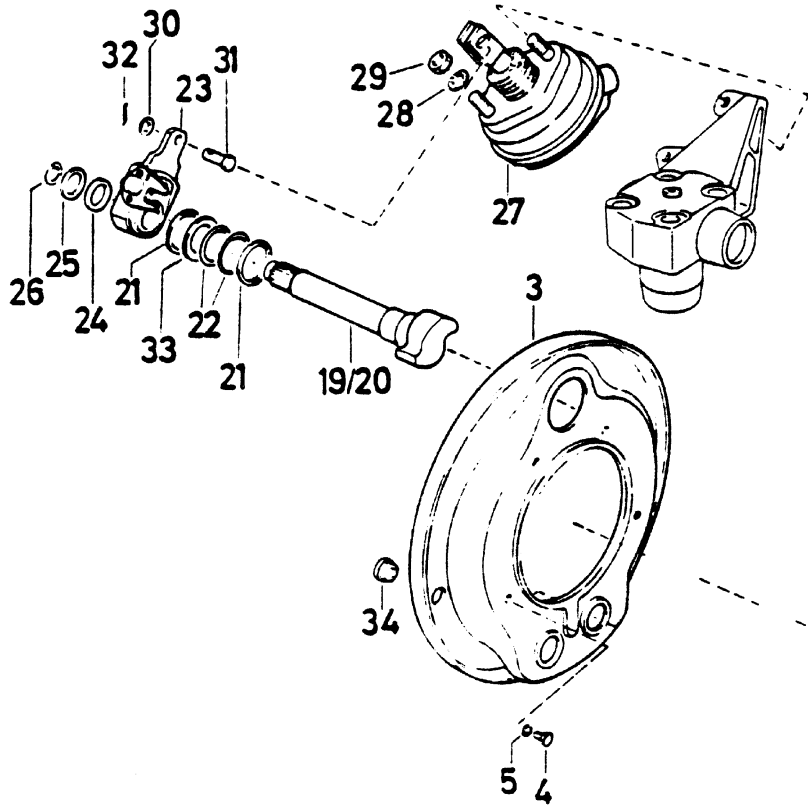
No	Number of part	Quantity	Description	Applicability	Designation	名称	Remark
11	1880 410038	8			Brake shoe pin	制动蹄支承销	
12	Q381B27	8			Castle nut	六角槽形扁螺母(细牙)	
13	Q5005050	8			Cotter pin	开口销	
14	AZ9100410032	2			Bracket assembly(left)	支架总成(左)	
15	AZ9100410036	2			Bracket assembly(right)	支架总成(右)	
16	1880 410035	4			Bushing	衬套	
17	AZ9100340017	8			Complex bushing	复合衬套	
18	1880 410094	nB			Shim	垫圈	S=2.2mm
18	1880 410095	nB			Shim	垫圈	S=2.3mm
18	1880 410096	nB			Shim	垫圈	S=2.4mm
18	1880 410097	nB			Shim	垫圈	S=2.5mm
18	1880 410104	nB			Shim	垫圈	S=2.0mm
18	1880 410105	nB			Shim	垫圈	S=2.1mm
18	1880 410105	nB			Shim	垫圈	S=2.1mm
18	1880 410106	nB			Shim	垫圈	S=2.6mm
18	1880 410107	nB			Shim	垫圈	S=2.7mm
18	1880 410108	nB			Shim	垫圈	S=2.8mm
19	1880 410052	4			"O" ring	O型密封圈	
20	1880 410075	16			Double screw	双头螺栓	
21	Q33014	16			Lock nut	自锁螺母	
22	Q701B70	4			Grease fitting	弯颈油脂嘴	
23	1880 410059	4			Adjusting screw	调整螺钉	
24	Q351B14T15	4			Jam nut	六角薄螺母	
25	199112410009	4			Front hub assemble	前轮毂	
25a	WG9112410019	2		for ABS in the second front axle	Ring gear for ABS	ABS齿圈	Option
28	AZ9100410104	40			Wheel bolt	车轮螺栓	



No	Number of part	Quantity	Description	Applicability	Designation	名称	Remark
30	WC9003889160	40			Nut	车轮螺母	
32	32314	4	GB/T297		Bearing	圆单滚子轴承	
33	32310	4	GB/T297		Bearing	圆单滚子轴承	
34	199000410114	4			Spacers	隔环	
35	190003074387	4			Seal	轴用密封圈	
36	Q5211016	4			Pin	圆柱销	
37	AZ9100410062	4			Washer	垫片	
38	AZ9100411140	4			Lock nut	转向节锁紧螺母	
39	Q5006370	4			Cotter pin	开口销	
40	Q151C1220	4			Cap screw	六角头螺栓	
41	1880 410043	4			Cap	罩	
42	Q150B0816	32			Cap screw	六角头螺栓	
43	Q40308	32			Spring shim	弹簧垫圈	
44	1880 410100	4			Cap	盖	
45	Q40308	4			Spacers	孔用弹性挡圈	
47	199018410003	1			Steering arm	转向节臂	
48	199014410001	1			Steering arm	转向节臂	
49	1880 410041	1		STEYR axle	Tie rod arm	转向横拉杆臂(左)	
49	AZ9160410121	1		HDWC axle	Tie rod arm	转向横拉杆臂(左)	
50	1880 410040	1		STEYR axle	Tie rod arm	转向横拉杆臂(右)	
50	AZ9160410120	1		HDWC axle	Tie rod arm	转向横拉杆臂(右)	
51	1295 420033	4			"O" ring	O形密封圈	



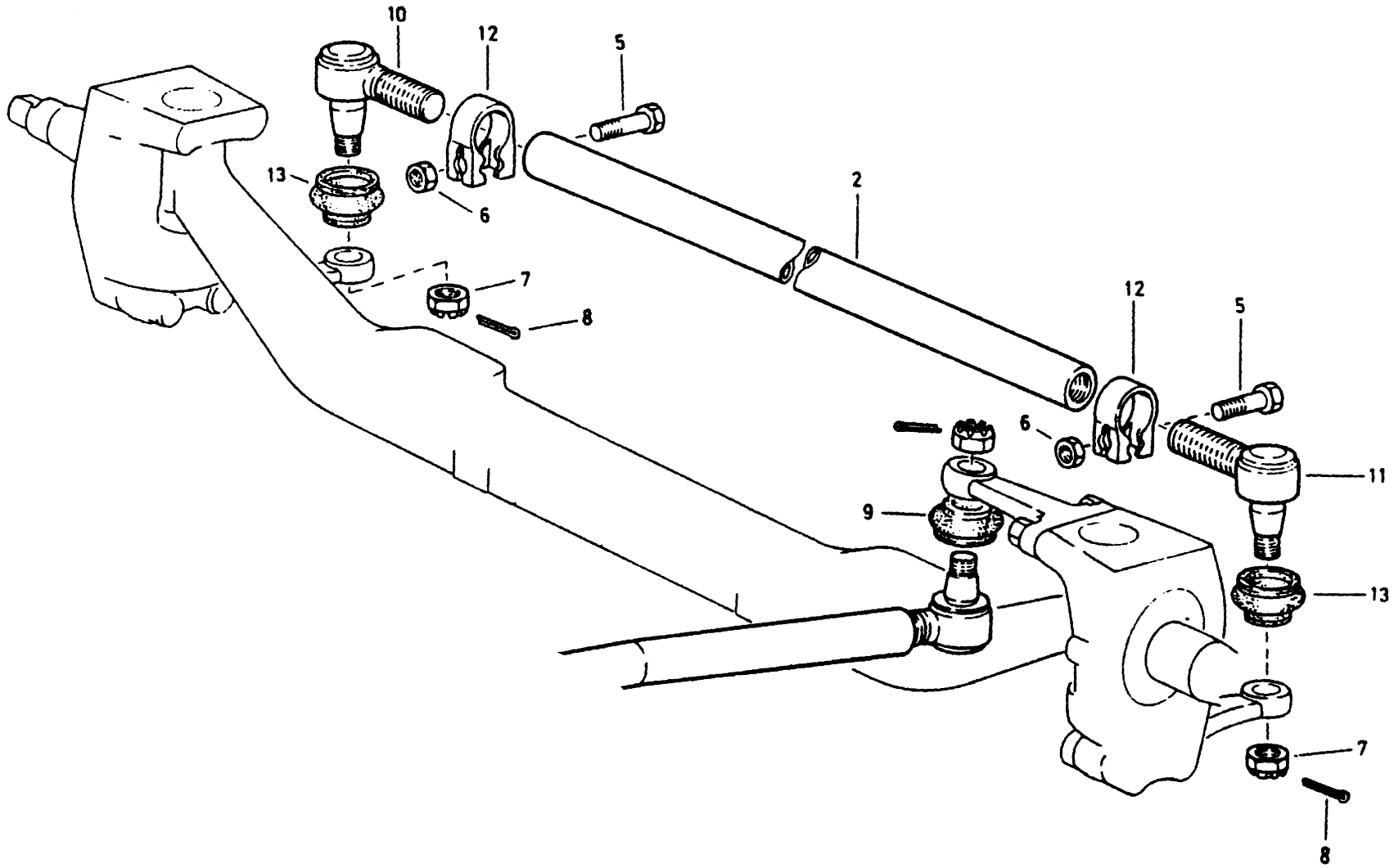
No	Number of part	Quantity	Description	Applicability	Designation	名称	Remark
1	AZ9112440001	2			Brake drum	制动鼓	
2	Q2541025	4			Bolt	十字槽沉头螺钉	
3	1880 440007	2			Dust shield	制动器防尘罩	
3	199112440006	2		for ABS	Dust shield	制动器防尘罩带 ABS	Option
4	Q150B0816	8			Screw	六角头螺栓	
5	Q40308	8			Shim	弹簧垫圈	
6	199112440073	4			Brake shoe C	制动蹄总成(无石棉)	Option
6	199000440031	4			Brake shoe C	制动蹄总成	
6-1	1990000440018	4			Brake shoe	制动蹄	
7	WG9100440029	4	54°50'	for 199000440031	"T"brake lining	T/制动摩擦片	
7	WG9100440027	4	39°50'	for 199000440031	"T"brake lining	T/制动摩擦片	
7	199112440065	4	54°50'	for 199112440073	Brake lining	制动摩擦片(无石棉)	Option
7	199112440066	4	39°50'	for 199112440073	Brake lining	制动摩擦片(无石棉)	Option
8	189000340068	56			Rivet	铆钉	
9	WG880 440006	4			Bushing	衬套	
10	1880 440008	2			Washer	限位板	
11	Q381B24	4			Castle nut	六角槽形扁螺母(细牙)	
12	Q5005045	4			Cotter pin	开口销	
13	AZ9100440060	2			Return spring	回位弹簧	
14	1880 440032	4			Return spring pin	回位弹簧销	
15	199112440018	4			Bushing	制动缓冲衬片	
19	199100440001	1			Camsheft(left)	制动凸轮轴(左)	
20	199100440002	1			Camsheft(right)	制动凸轮轴(右)	
21	1880 440010	4			Washer	附加垫片	
21	AZ9100440011	4			Washer	附加垫片	
21	AZ9100440012	4			Washer	附加垫片	



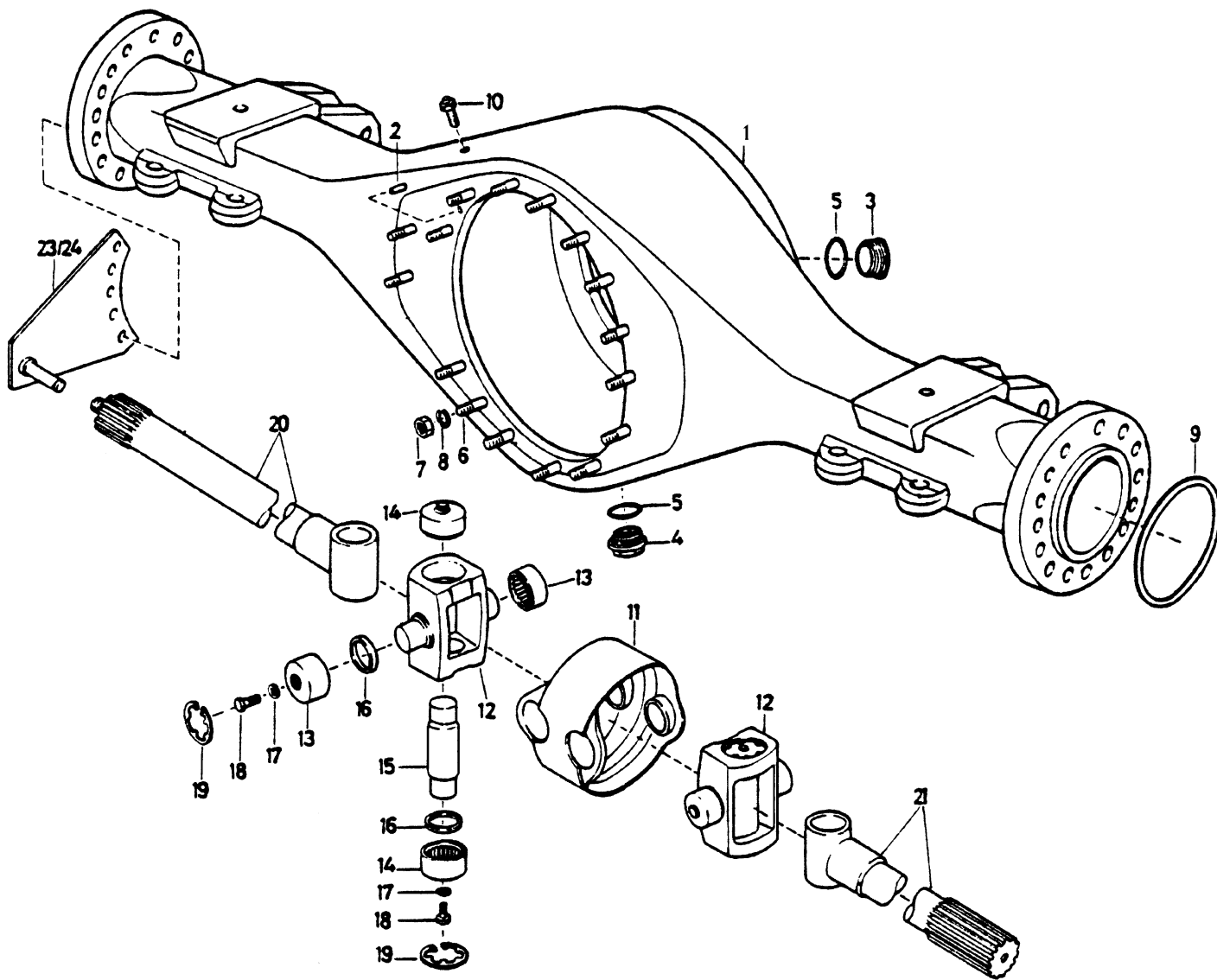


No	Number of part	Quantity	Description	Applicability	Designation	名称	Remark
22	1880 340023	4			"O" seal ring	O形密封圈	
23	AZ9100440005	2			Slack adjuster	间隙调整臂总成	
23	WG9100440023	2			Automatic rod adjuster	制动间隙自动调整臂(选用)	Option
23a	AZ9100349994	1		for WG9100440023	Bracket	自动调整臂支架	Option
23b	AZ9100349995	1		for WG9100440023	Bracket	自动调整臂支架	Option
23c	Q150B0818	2		for WG9100440023	Screw	六角头螺栓	Option
23c	Q33408	2		for WG9100440023	Nut	自锁螺母	Option
24	1880 340022	2			Shim	垫圈	
25	1 80 320028	nB	S=0, 10mm		Shim	调整垫圈	
25	1 80 320029	nB			Shim	调整垫圈	
25	1 80 320030	nB			Shim	调整垫圈	
25	1 80 320046	nB			Shim	调整垫圈	
26	190003933116	2			Washer	轴用弹簧垫圈	
27	WG9000360100	1			Diaphragm cvl. left	24"膜片式制动气室(左)	
27a	WG9000360101	1			Diaphragm cvl. right	24"膜片式制动气室(右)	
28	Q41216	4			Shim	外锯齿锁紧垫圈	
29	Q340B16	4			Nut	1型六角螺母	
30	Q40114	2			Flat shim	平垫圈	
31	Q5101440	2			Pin	销轴	
32	Q5004022	2			Cotter	开口销	
33	1880 440015	2			Spacers	隔套	
34	1880 340037	4			Plug	密封圈	
59	199000340027	4			Roller	滚轮	

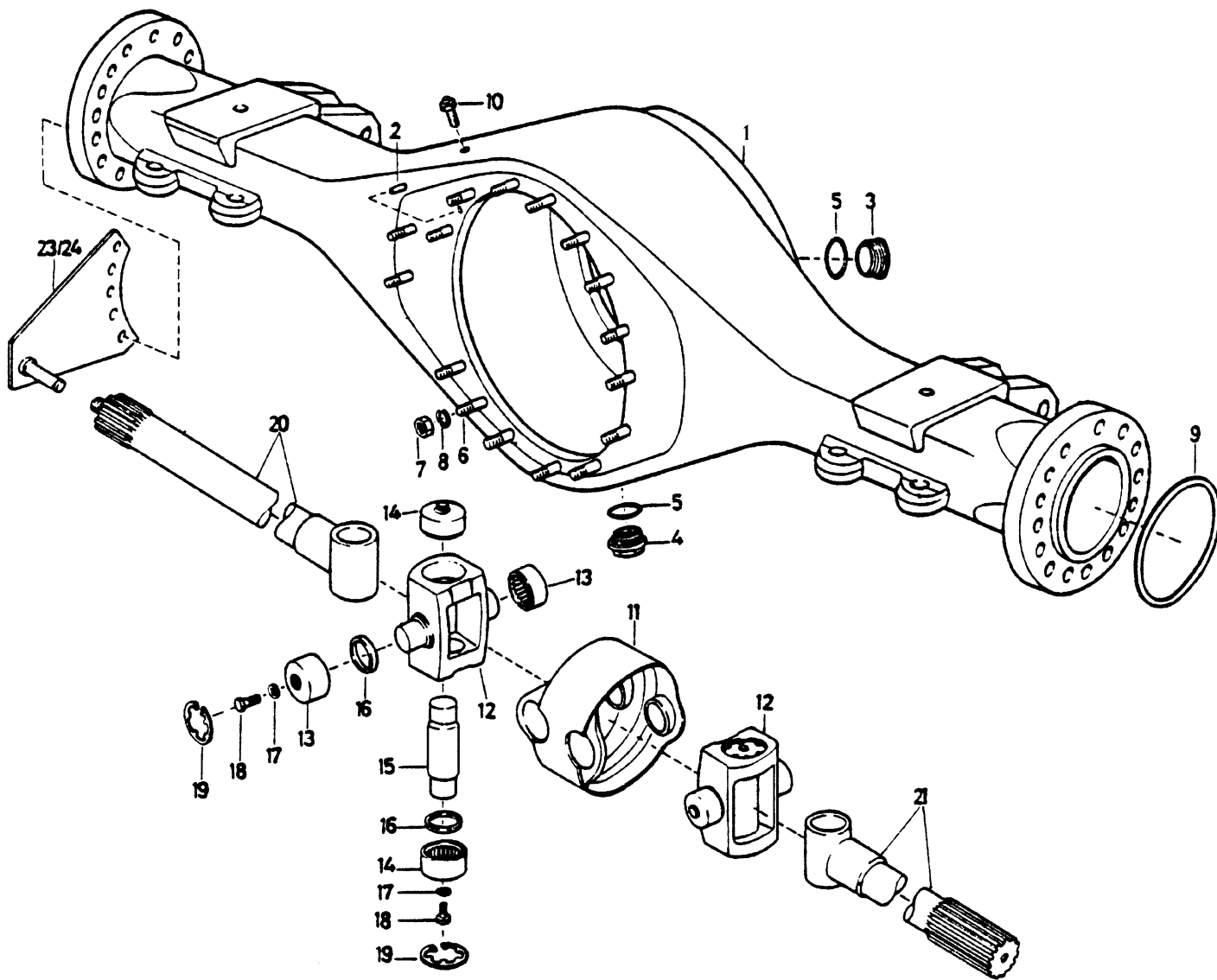
Attention: Only brake linings of one end the same lining quality should be mounted per axle.



No	Number of part	Quantity	Description	Applicability	Designation	名称	Remark
0	AZ9100430218	1		STEYR 6.5T front axle	Tie rod	转向横拉杆总成	
2	AZ9100430218-1	1		STEYR 6.5T front axle	Tie rod	转向横拉杆	
0	199018430006	1		STEYR 8×4 first front axle	Tie rod C	斯太尔 8×4 第一前轴转向横拉杆总成	
2	199018430006-1	1		STEYR 8×4 first front axle	Tie rod	转向横拉杆	
0	AZ9100430118	1		STEYR 8×4 second front axle	Tie rod C	斯太尔 8×4 第二前轴转向横拉杆总成	
2	AZ9100430118-1	1		STEYR 8×4 second front axle	Tie rod	转向横拉杆	
0	AZ9100430003	1		HOWO 7T front axle	Tie rod C	转向横拉杆总成	
2	AZ9100430003-1	1		HOWO 7T front axle	Tie rod	转向横拉杆	
0	11031430006	1		HOWO 8×4 first front axle	Tie rod C	转向横拉杆总成 HOWO 前轴	
2	11031430006-1	1		HOWO 8×4 first front axle	Tie rod C	转向横拉杆总成	
0	AZ9731430002	1		HOWO 8×4 second front axle	Tie rod C	转向横拉杆总成 HOWO 第二前轴	
2	AZ9731430002-1	1		HOWO 8×4 second front axle	Tie rod C	转向横拉杆总成	
7	Q367B20T15	1			Castle nut	六角开槽螺母	
8	Q5004036	1			Cotter pin	开口销	
10	AZ9100430218-4	1			Ball joint right	右球铰接头	
11	AZ9100430218-11	1			Ball joint left	左球铰接头	
12	AZ9100430218-12	2			Clip	卡箍	
13	AZ9100430218-13	2			Packing bellows	密封套	



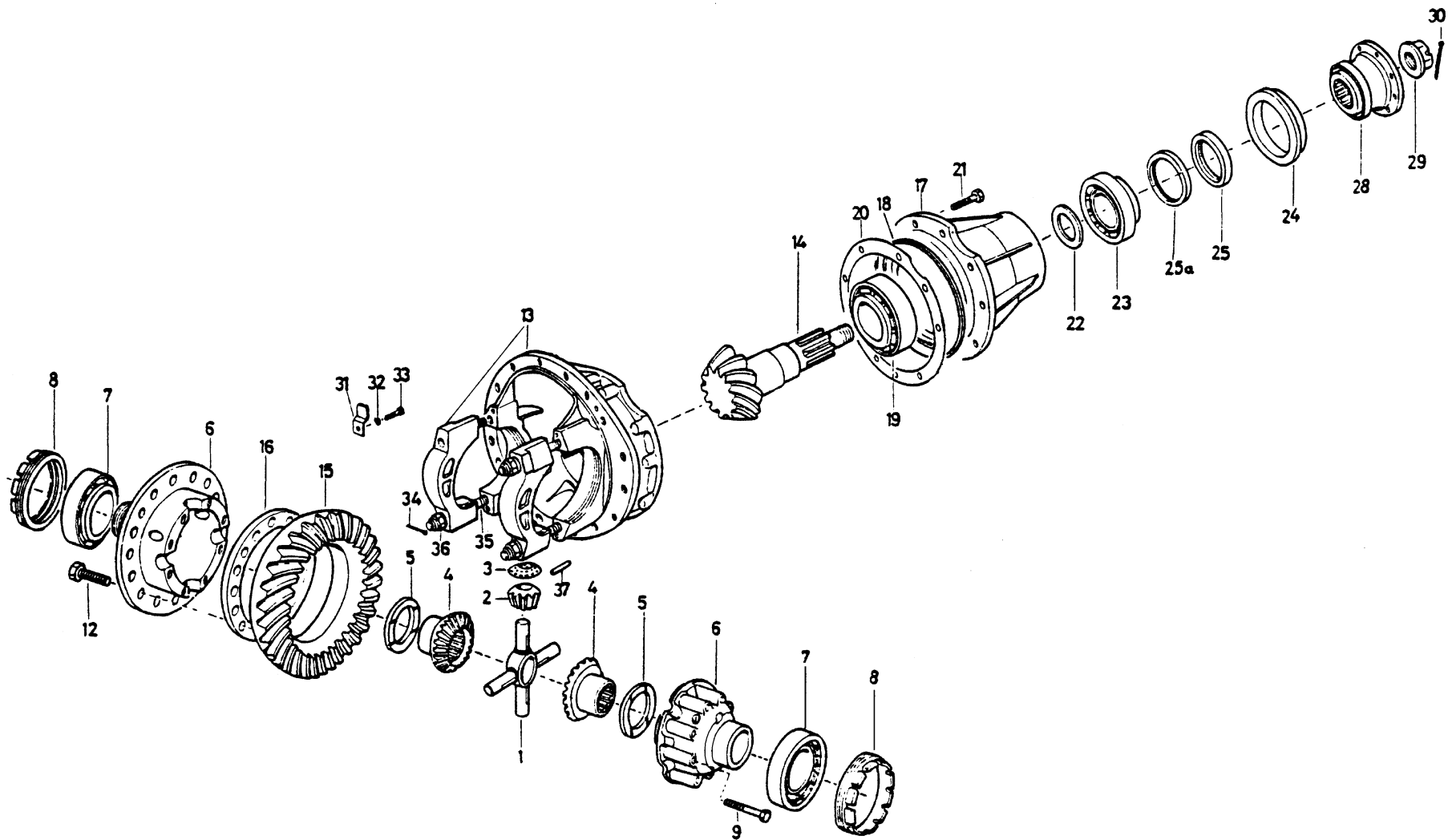
No	Number of part	Quantity	Description	Applicability	Designation	名称	Remark
0	AH71141.500101	1		i = 5.73, flangeΦ150	Planetary type front axle	行星式前桥(i = 5.73, 凸缘Φ150)	
0	AH7141.600109	1		i = 6.72, flangeΦ150	Planetary type front axle	行星式前桥(i = 6.72, 凸缘Φ150)	
0	AH7141.600103	1		i = 6.72, flangeΦ150	Planetary type front axle	行星式前桥(i = 6.72, 凸缘Φ150)	for drive right
0	AH7141.600101	2		i = 6.72, flangeΦ150	Planetary type front axle	行星式前桥(i = 6.72, 凸缘Φ150)	
0	AH7141.600102	2		i = 5.73, flangeΦ150	Planetary type front axle	行星式前桥(i = 5.73, 凸缘Φ150)	
1	AZ9112410075	1		from cast - steel	Front axle housing	铸钢前桥壳总成	option
1	199112410075	1			Front axle bracket	前桥壳总成	
2	Q5211016	1			Cyl. pin	圆柱销	
3	181500010163	1			Locking screw	螺塞	
4	1586 330015	1			Magnetic plug	磁性螺塞总成	
5	AZ9003090001	2			Gasket	密封垫圈	
6	190003812630	16			Stud	双头螺柱	
7	Q340B12	16			Nut	1型六角头螺母	
8	Q40312	16			Spring washer	弹簧垫圈	
9	1880 410066	2			Gasket	密封环 120×3.5 LR100N05040	
10	199000330006	1			Air breather assembly	通气口总成	
-	WG9112420001	2			Propeller shaft C	等速万向驱动轴总成	Incl. 11~21
11	199000420701	2			Driver ring	传动圈	
12	199000420702	2			Universal joint	万向节	
13	199000420703	8			Needle bearing sleeve	滚针轴承套	
14	199000420704	8			Needle bearing sleeve	滚针轴承套	
15	199000420705	2			Universal joint shaft	万向节芯轴	
16	199000420706	8			Gasket	密封圈	
17	Q72310 T5F	8			Gasket	密封垫圈	
18	199000420709	8			Screw	螺钉	
19	199000420710	8			Clutch	多舌孔用挡圈	



No	Number of part	Quantity	Description	Applicability	Designation	名称	Remark
20	199000420712	1			Driving shaft inside (long)	内半轴	
21	199000420701	1			Driving shaft outside (short)	外半轴	
23	199112410040	1			Locating plate left	固定板(左)	
24	199112410041	1			Locating plate right	固定板(右)	

驱动装置

驱动前桥图2





A10- 2

## FRONT WHEEL DRIVE OF FRONT DRIVE AXLE/ 驱动前桥驱动装置

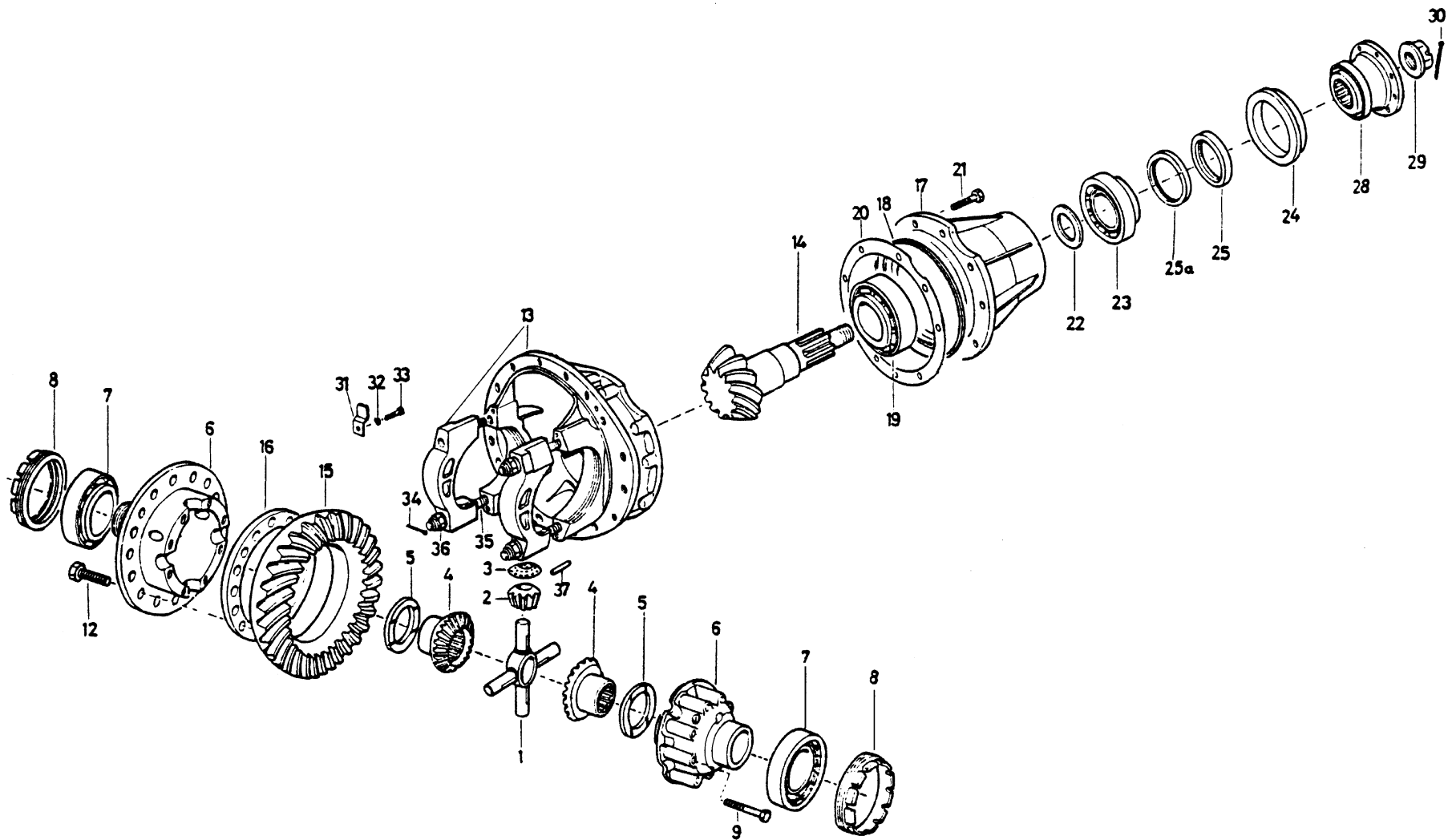
No	Number of part	Quantity	Description	Applicability	Designation	名称	Remark
0	AZ9100420044	1		Flange Φ150	Front axle driving C	前桥中段法兰 Φ= 150	i= 5. 73
0	DZ9100420043	1		Flange Φ165	Front axle driving C	前桥中段法兰 Φ= 165	i= 6. 72
0	DZ9100420042	1		Flange Φ165	Front axle driving C	前桥中段法兰 Φ= 165	i= 5. 73
0	DZ9100420040	1		Flange Φ150	Front axle driving C	前桥中段法兰 Φ= 150	i= 6. 72
1	199014320091	1			Diff. spider	差速器十字轴	
2	199012320010	4			Planetary pinion	行星齿轮	
3	199012320150	4			Middle sheet shim- planetary	行星齿轮垫片	
4	199012320009	2			Gear- axle shaft	半轴齿轮	
5	11800 320012	nB			Adjuster washer	调整垫片	
5	199012320129	nB			Adjuster washer	调整垫片	
5	11800 320131	nB			Adjuster washer	调整垫片	
5	11800 320132	nB			Adjuster washer	调整垫片	
5	13809 320169	nB			Adjuster washer	调整垫片	
6	199012320198	1			Diff. case	差速器壳	
7	190003326148	2			Roller bearing	圆锥滚子轴承 32216 GB/T297- 94	
8	13809 320159	2			Adjusting nut- diff. bearing	差速器轴承调整螺母	
9	Q151B1480TF2	8			Screw	六角头螺栓	
12	Q151B1635TF2	16			Screw	六角头螺栓	
13	199012320098	1			Axle housing C	主减速器壳	
14	199000420056	1			Crown wheel/ pinion	锥齿轮付 28/ 13	i= 7. 49
14	199000420058	1			Crown wheel/ pinion	锥齿轮付 30/ 11	i= 9. 48
14	199000420057	1			Crown wheel/ pinion	锥齿轮付 29/ 12	i= 8. 4
14	199000420055	1			Crown wheel/ pinion	锥齿轮付 29/ 15	i= 6. 72
14	199000420054	1			Crown wheel/ pinion	锥齿轮付 28/ 17	i= 5. 73

312

A10

驱动装置

驱动前桥图2



## A10- 2

## FRONT WHEEL DRIVE OF FRONT DRIVE AXLE/ 驱动前桥驱动装置

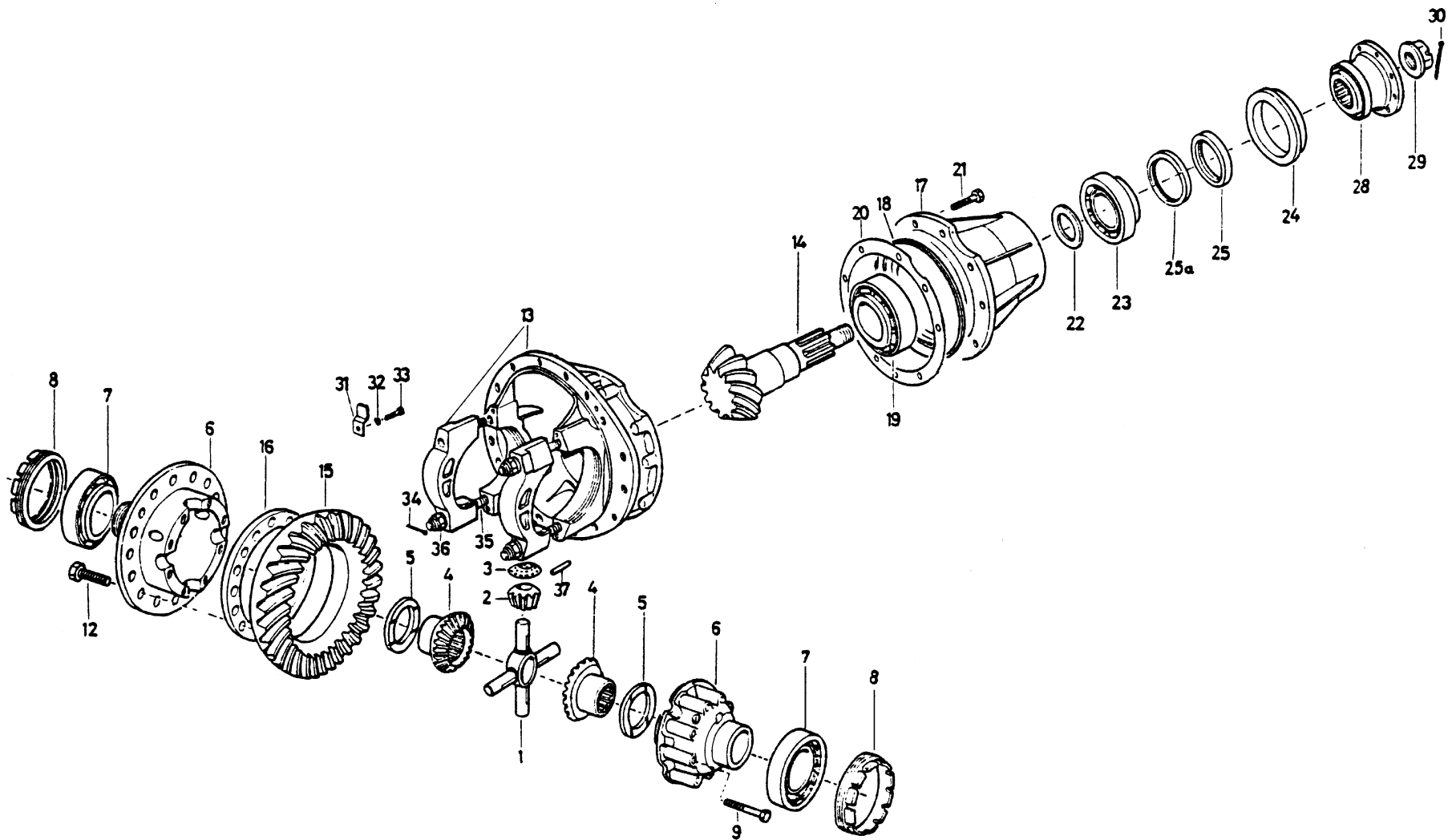
Nb	Number of part	Quantity	Description	Applicability	Designation	名称	Remark
16	199012320121	1			Ring	衬环	i= 8.4 9.49
17	199012320103	1			Bearing bush	轴承座	
18	199012320133	1			Gasket	密封圈	
19	190003326547	1			Roller bearing	圆锥滚子轴承 32315GB/T297- 94	
20	199012320173	nB			Shim	调整垫片(厚 0.1)	
20	199012320174	nB			Shim	调整垫片(厚 0.15)	
20	199012320175	nB			Shim	调整垫片(厚 0.4)	
20	199012320176	nB			Shim	调整垫片(厚 1)	
21	Q150B1230TF2	12			Screw	六角头螺栓	
22	1880 320015	nB			Shim	调整垫片	S= 2.55
22	1880 320002	nB			Shim	调整垫片	S= 2.0
22	1880 320003	nB			Shim	调整垫片	S= 2.1
22	1880 320004	nB			Shim	调整垫片	S= 2.3
22	1880 320005	nB			Shim	调整垫片	S= 2.4
22	1880 320006	nB			Shim	调整垫片	S= 2.5
22	1880 320007	nB			Shim	调整垫片	S= 3.0
22	1880 320008	nB			Shim	调整垫片	S= 3.1
22	1880 320009	nB			Shim	调整垫片	S= 3.3
22	1880 320010	nB			Shim	调整垫片	S= 3.4
22	1880 320011	nB			Shim	调整垫片	S= 2.05
22	1880 320011	nB			Shim	调整垫片	S= 2.15
22	1880 320013	nB			Shim	调整垫片	S= 2.35
22	1880 320014	nB			Shim	调整垫片	S= 2.45
23	190003326236	1			Roller bearing	圆锥滚子轴承 30312GB/T297- 94	
24	199012320121	1			Ring	环	
25	AZ9112320030	2			Gasket	轴密封圈	

314

A10

驱动装置

驱动前桥图2



A10- 2

## FRONT WHEEL DRIVE OF FRONT DRIVE AXLE/ 驱动前桥驱动装置

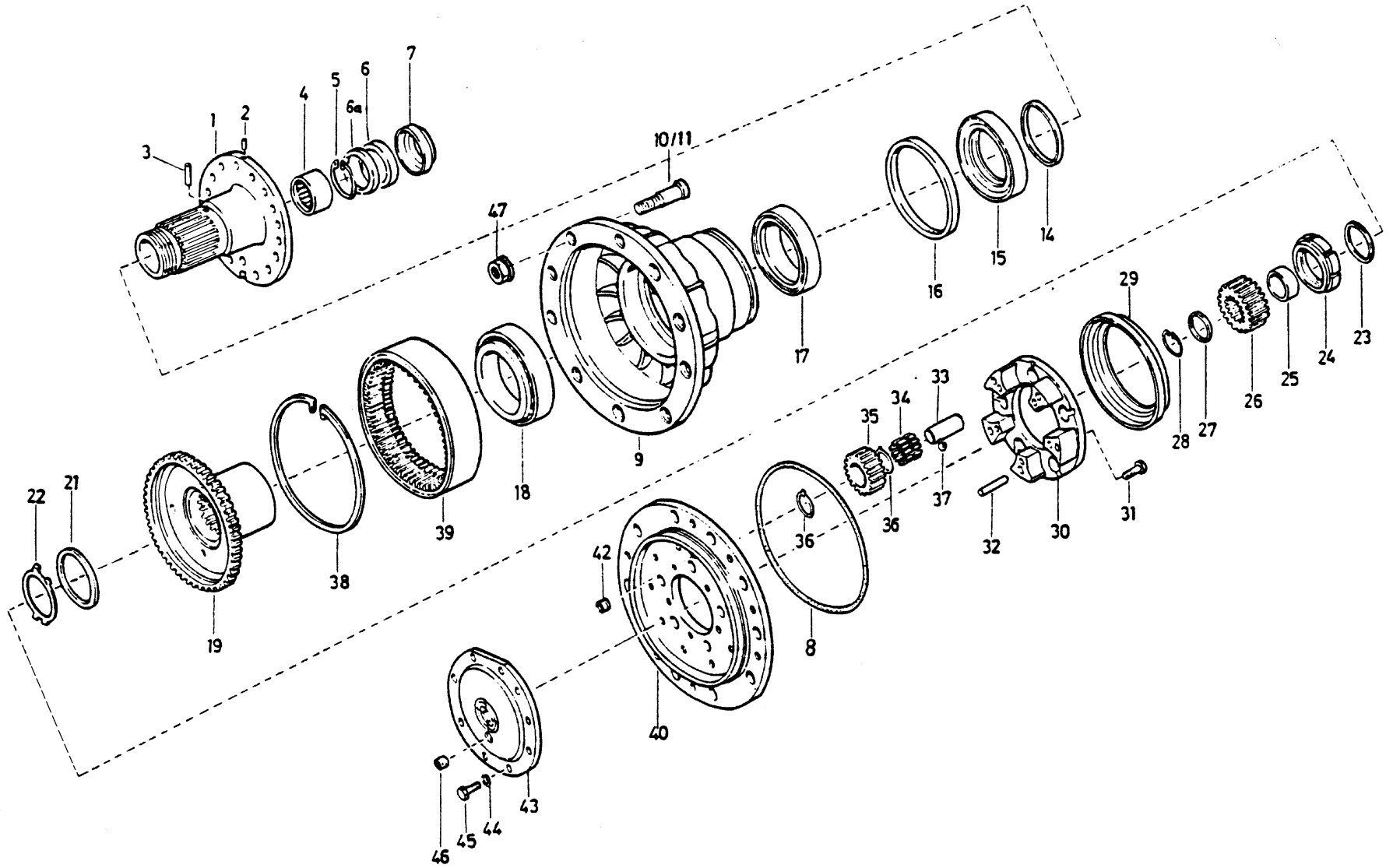
Nb	Number of part	Quantity	Description	Applicability	Designation	名称	Remark
25a	AZ9112320184	2			Gasket	密封圈	
28	179000320010	1			Flange $\Phi=150$	凸缘总成 $\Phi=150$	
28	199012320110	1			Flange $\Phi=165$	凸缘总成 $\Phi=165$	( option)
29	179000320013	1			Nut	凸缘螺母	
30	Q5005055	1			Copper pin	开口销	
31	179000320027	2			Thrust block	止动片	
32	Q40308	2			Spring washer	弹簧垫圈	
33	Q150B0816	2			Screw	六角头螺栓	
34	Q5004028	4			Cotter pin	开口销	
35	Q12316120	4			Stud	双头螺柱	
36	Q381B16	4			Nut	六角槽形螺母(细牙)	
37	Q5210820	4			Cyl. pin	圆柱销	

316

A10

轮边行星减速器

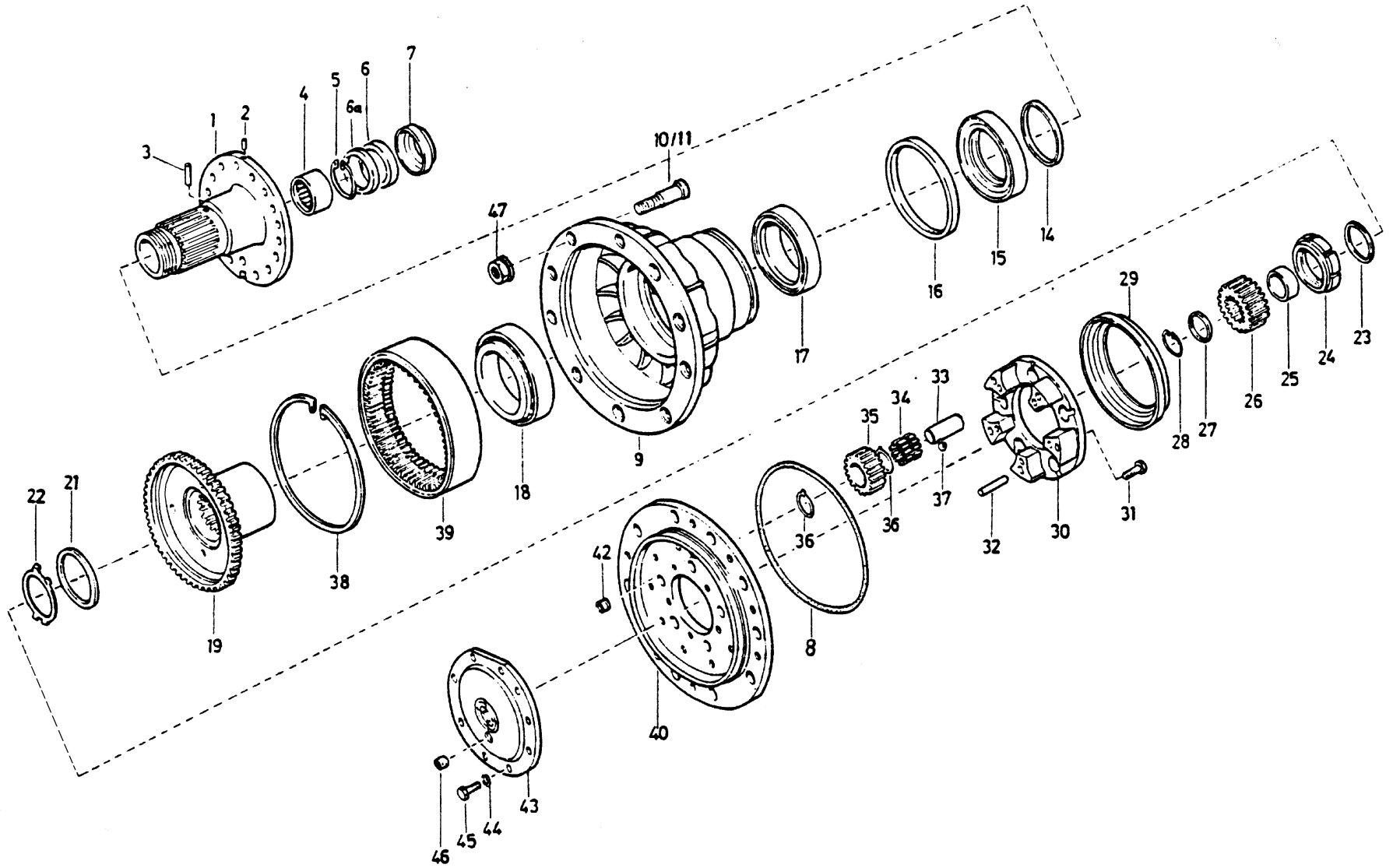
驱动前桥图 3



## A10- 3

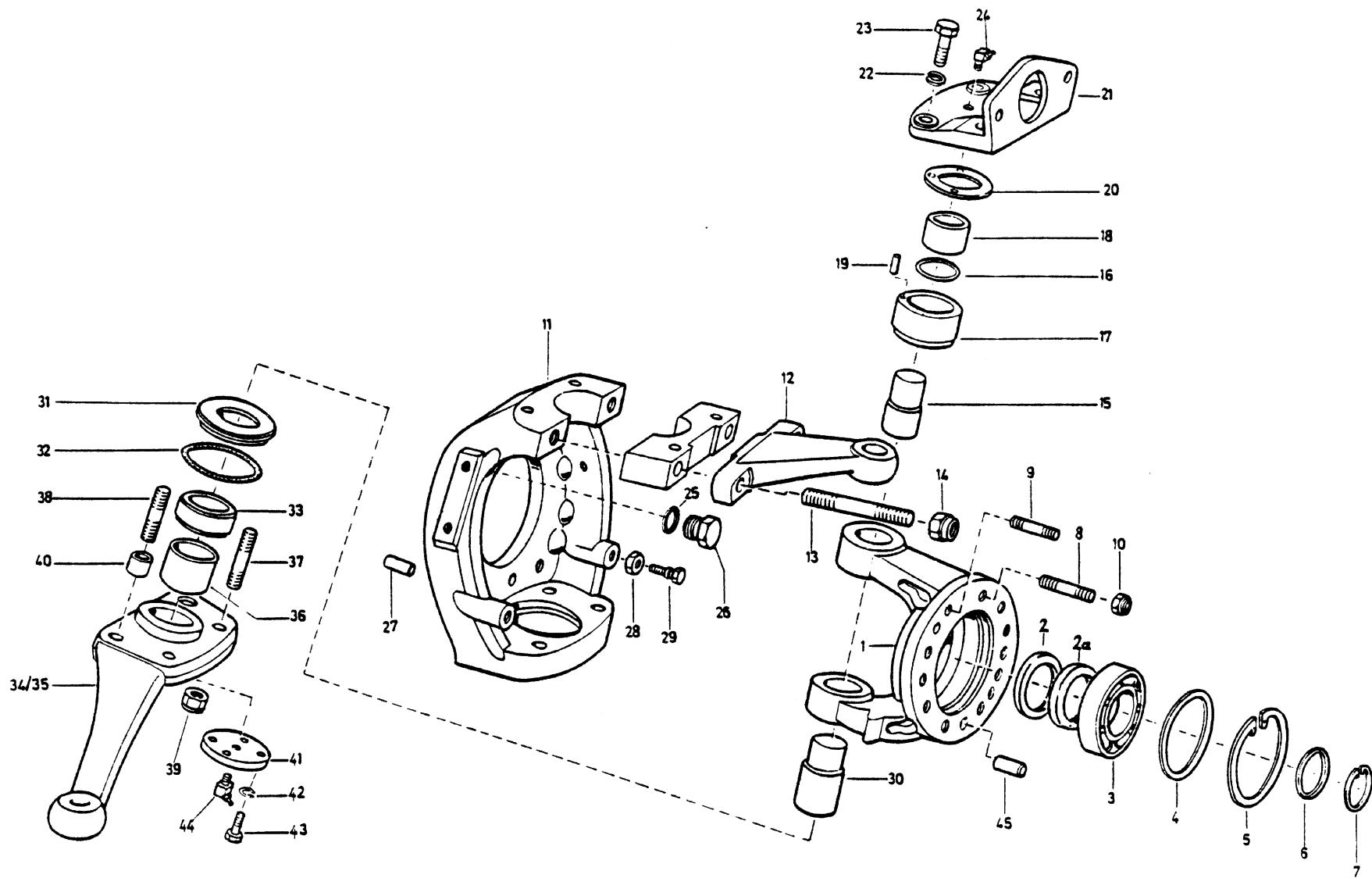
## PLANETARY DRIVE OF FRONT DRIVE AXLE/ 驱动前桥轮边行星减速器

No	Number of part	Quantity	Description	Applicability	Designation	名称	Remark
1	1880 410076	2			Shaft end- front axle	前桥轴端	incl.( 2, 3)
2	1880 410102	2			Pin- lock	锁销	
3	1880 410109	2			Pipe	管	
4	1880 410069	2			Needle bearing	滚针轴承 55/35	
5	Q43870	2			Circclip	孔用钢丝挡圈	
6	AZ9100410018	2			Gasket	轴密封圈	
6a	AZ9100410019	2			Gasket	轴密封圈	
7	199000410107	2			Gasket housing	轴密封圈外壳	
8	1880 420012	2			O- ring	O 形密封圈	
9	199000420052	2			Front wheel hub C	前轮毂总成	
9- 1	199000420029	2			Front wheel hub	前轮毂	
10	199000410103	10			Wheel bolt	车轮螺栓	
11	199000410103	10			Wheel bolt	车轮螺栓	
14	1406 060011	2			O- ring	O 形密封圈	
15	1880 420028	2			Loop	隔环	
16	AZ9100410015	2			Gasket	轴密封圈	
17	190003326443	2			Roller bearing	圆锥滚子轴承 32020 GB/ T297- 94	
18	190003326445	2			Roller bearing	圆锥滚子轴承 32022 GB/ T297- 94	
19	199112340021	2			For intermed. ring	齿圈支架总成	
21	1880 420034	2			Thrust spacer	止推垫环	
22	1680 340015	2			Thrust washer	止推垫圈	
23	1680 340016	nB			Shim	调整垫片(厚 0. 1)	
23	1680 340187	nB			Shim	调整垫片(厚 0. 15)	
23	1680 340017	nB			Shim	调整垫片(厚 0. 2)	
23	1680 340018	nB			Shim	调整垫片(厚 1. 0)	
23	1680 340019	nB			Shim	调整垫片(厚 0. 15)	
24	1680 340013	2			Nut	圆螺母(右)	





Nb	Number of part	Quantity	Description	Applicability	Designation	名称	Remark
25	1880 420022	2		4x 4 6x 6	Shim spacer	隔圈	
26	1880 420003	2		4x 4 6x 6	Helical gear	太阳轮 Z= 23	
27	1880 440010	2		4x 4 6x 6	Shim	附加垫片	
28	190003933300	2		4x 4 6x 6	Circclip	轴用弹性挡圈	
29	1880 420027	2		4x 4 6x 6	Oil drip pan	行星架挡油盘	
30	199100420003	2		4x 4 6x 6	Planetary carrier	行星架	
31	Q151C1265TF2	10		4x 4 6x 6	Cap screw	六角头螺栓	
32	190003901704	10		4x 4 6x 6	Cyl. pin	圆柱销	
33	1880 420024	10		4x 4 6x 6	Bolt	行星轮轴	
34	WG99_934_013	10		4x 4 6x 6	Needle	滚针轴承	
35	199000420050	10		4x 4 6x 6	Planetary pinion	行星轮 Z= 16	
36	199012340075	20		4x 4 6x 6	Stop washer	行星轮垫片	
37	190003330148	10		4x 4 6x 6	Ball	钢球—8.000 G200 b- GB308	
38	WG1880 420014	2		4x 4 6x 6	Snap ring	轴用挡圈	
39	199000420049	2		4x 4 6x 6	Inter ring gear	内齿圈 Z= 50	
40	199000420019	2		4x 4 6x 6	Flange planetary carrier	行星架凸缘	
42	Q2541020	4		4x 4 6x 6	Screw	十字槽沉头螺钉	
43	199112340001	2		4x 4 6x 6	Cover	端盖	
44	Q40310	20		4x 4 6x 6	Spring washer	弹簧垫圈	
45	Q150B1018	20		4x 4 6x 6	Cap screw	六角头螺栓	
46	190003961309	4		4x 4 6x 6	Locking screw	圆柱头内六角螺塞	
47	WG90003884160	20		4x 4 6x 6	Nut	车轮螺母	



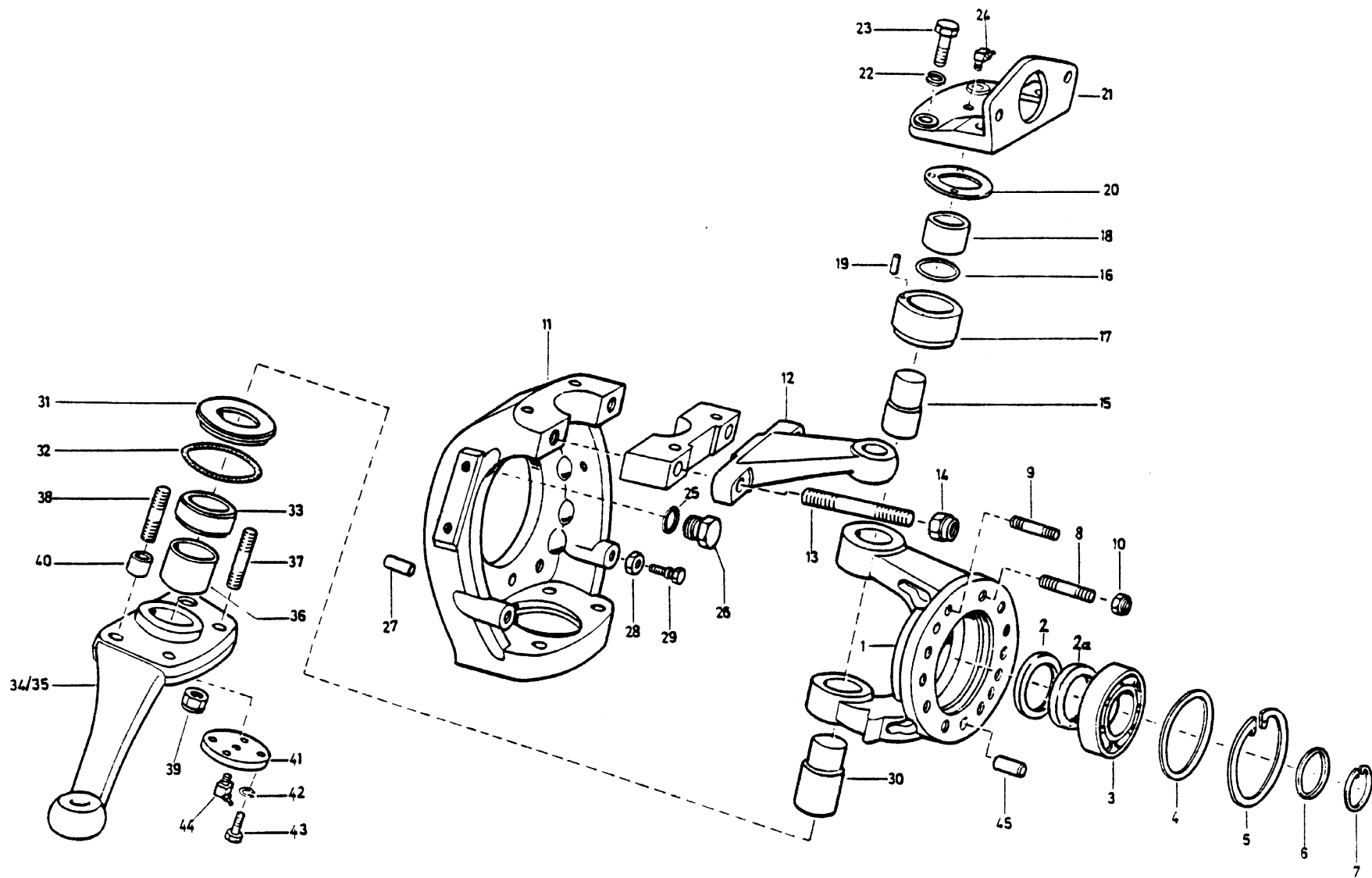
A10- 4

## FRONT AXLE FORK OF FRONT DRIVE AXLE/ 驱动前桥前桥转向节

No	Number of part	Quantity	Description	Applicability	Designation	名称	Remark
1	199100410007	2			Front axle fork C	前轴叉总成	incl. 1a, 15, 30
1a	199000410016	2			Front axle fork	前轴叉	
2	190003078645	2			Gasket	轴密封圈	
2a	AZ9100410110	2			Gasket	轴密封圈	
3	190003311467	2			Ball bearing	带密封圈深沟球轴承 6311/C3 GB/T276- 94	
4	1880 410065	2			Washer	垫圈	
5	190003934520	2			Circlip	孔用弹性挡圈	
6	1880 420030	2			Washer	支承垫圈	
7	190003933482	2			Circlip	轴用弹性挡圈	
8	190003810002	10			Stud	双头螺柱	
9	Q151B1645TF2	18			Screw	六角头螺栓	
10	190003888627	10			Nut	自锁螺母	
11	199000410039	2			Steering knuckle	转向节	
12	WG9000410033	1			Steering arm	转向节臂	
13	Q151B18130TF2	2			Cap screw	六角头螺栓	
13a	Q151B18100TF2	2			Screw	六角头螺栓	
15	199100410006	1			Knuckle pin	转向节销	
16	1880 410052	2			O- ring	O 形密封圈	
17	199100410009	2			Bearing bush	轴套	
18	199100410002	2			Bush	衬套( 41x 52. 5)	
19	Q5210814	2			Cyl. pin	圆柱销	
20	199000410023	nB			Shim	调整垫圈	
20	199000410024	nB			Shim	调整垫圈	
20	199000410025	nB			Shim	调整垫圈	
20	199000410026	nB			Shim	调整垫圈	
21	1880 410073	2			Bracket	支架	
22	Q40314	8			Spring washer	弹簧垫圈	

322

A10



A10- 4

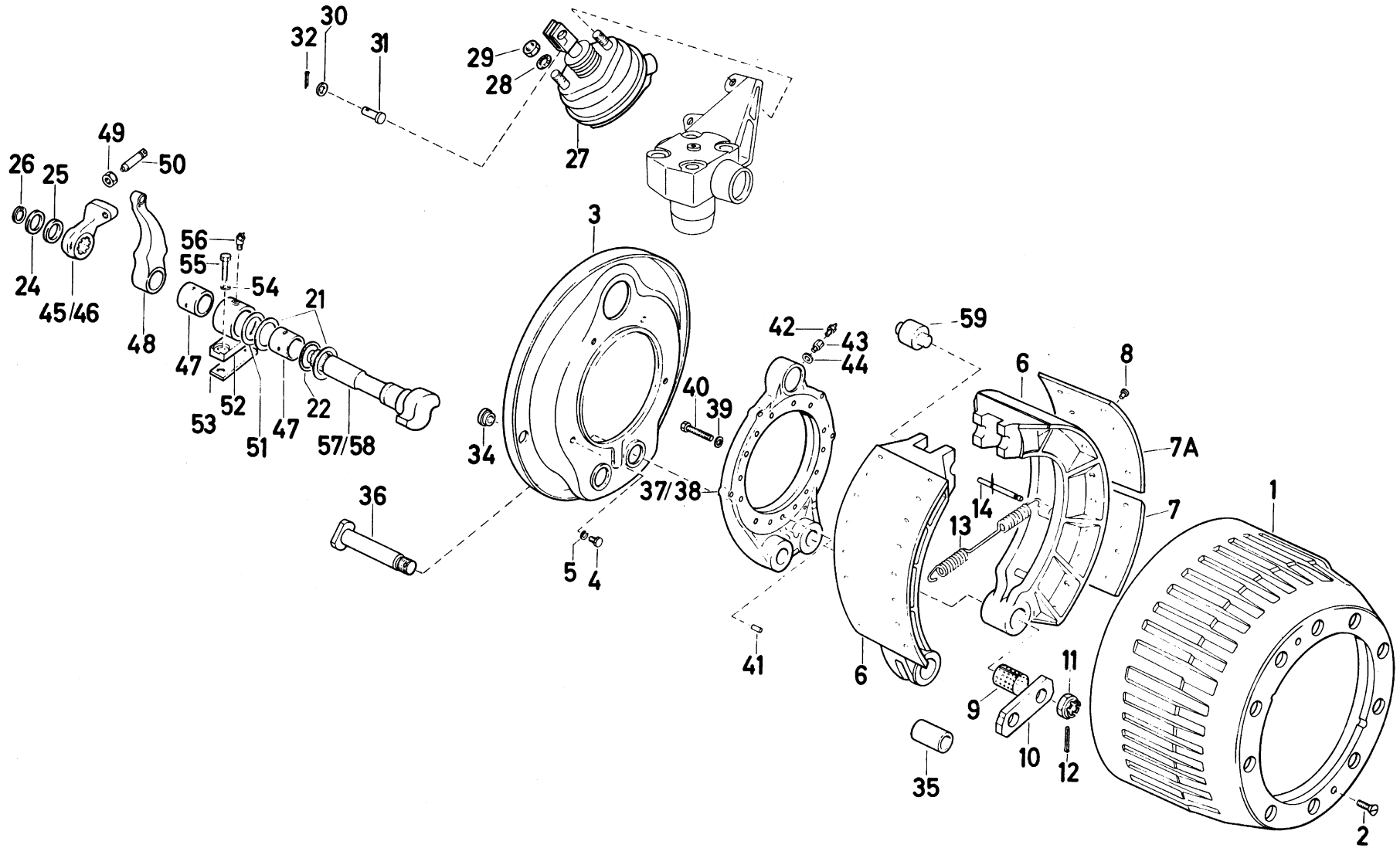
## FRONT AXLE FORK OF FRONT DRIVE AXLE/ 驱动前桥前桥转向节

Nb	Number of part	Quantity	Description	Applicability	Designation	名称	Remark
23	Q151B1440	8			Screw	六角头螺栓	
24	190003963114	2			Grease nipple	米制锥螺纹滑脂嘴	
25	190003098026	2			Gasket	密封垫圈	
26	199000410120	2			Air breather assembly	通气口总成	for non- integrated breather
27	Q5211626	2			Cyl. pin	圆柱销	
28	199012410005	2			Nut	六角薄螺母	
29	1880 410059	2			Screw	定位螺栓	
30	199100410003	2			Knuckle pin	转向节销	
31	199000410022	2			Patch	防护片	
32	1586 340002	2			Gasket	密封环	
33	WC880 410049	2			Thrust roller bearing	推力滚柱轴承	
34	199000410031	2			Tie rod arm assembly l.	转向横拉杆臂总成 左	
35	199000410032	2			Tie rod arm assembly r.	转向横拉杆臂总成 右	
36	1880 410029	2			Bush	衬套 43.8x 57.5	
37	Q151B1660TF2	8			Screw	六角头螺栓	
40	1880 410068	2			Bush	定位套	
41	199000410021	2			Cover	盖	
42	Q40308	8			Spring washer	弹簧垫圈	
43	Q150B0818	8			Screw	六角头螺栓	
44	190003963114	2			Grease nipple	米制锥螺纹滑脂嘴	
45	Q5211635	2			Cyl. pin	圆柱销	

324

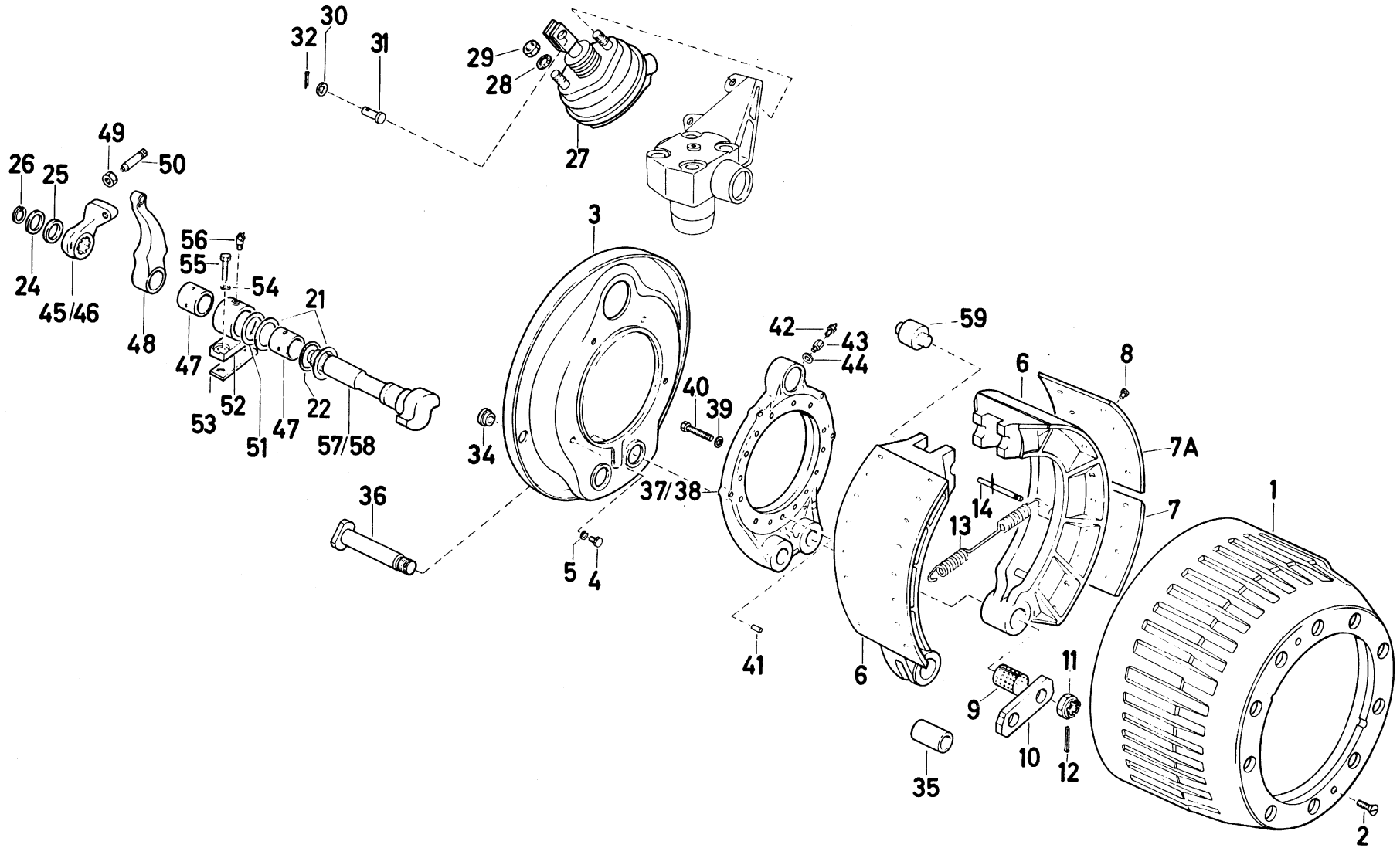
A10

# 前驱动桥制动器



Nb	Number of part	Quantity	Description	Applicability	Designation	名称	Remark
1	199112440003	2			Brake drum	制动鼓	
2	Q2141020	4	M 10× 20		Screw	十字槽盘头螺钉	
3	1880 440019	2			Sheet cover	制动器防尘罩	
4	Q150B0816	12			Cap screw	六角头螺栓	
5	Q40308	12			Spring washer	弹簧垫圈	
6	199000440031	4			Brake shoe C	制动蹄总成	incl. 6- 1- 8
6- 1	199000440018	4			Brake shoe	制动蹄	
7	199000440029	4	S= 54°50'		Brake lining	制动摩擦片	
7a	199000440027	4	S= 39°50'		Brake lining	制动摩擦片	
8	WC880 34 0039	64			Rivet	铆钉	
9	1880 440006	4			Bearing bush	轴套	
10	WC80 440008	2			Distance plate	支销隔板	
11	190003872369	4			Nut	六角槽形扁螺母( 细牙)	
12	Q5005040	4			Cotter pin	开口销	
13	AZ910034 0012	2			Spring	回位弹簧	
14	1880 44 0032	4			Bolt	销轴	
21	1880 44 0010	4			Washer	垫圈	
22	1880 34 0023	4			Gasket	密封圈	
24	1880 34 0022	2			Washer	垫圈	
25	1880 32 0028	nB	S= 0. 10		Adujsting Washer	调整垫片	
25	1880 32 0029	nB	S= 0. 15		Adujsting Washer	调整垫片	
25	1880 32 0030	nB	S= 0. 40		Adujsting Washer	调整垫片	
25	1803 2 0046	nB	S= 1. 0		Washer	调整垫片	
26	190003933116	2	25× 1		Cinclip	轴用弹性档圈	
27	199100360058	1			Chamber( left)	膜片式制动气室 左	
27a	199100360059	1			Chamber( right)	膜片式制动气室 右	

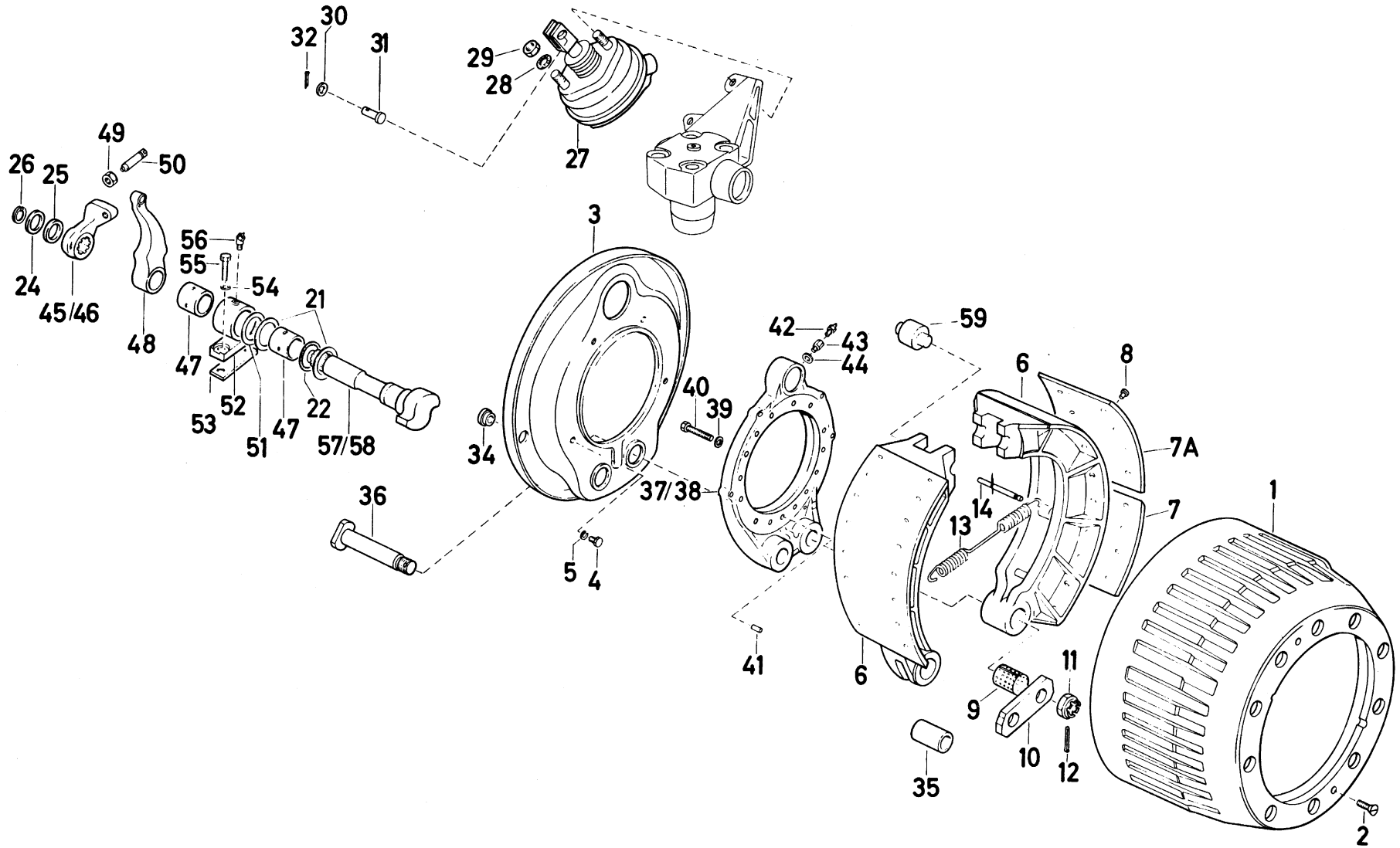
# 前驱动桥制动器





Nb	Number of part	Quantity	Description	Applicability	Designation	名称	Remark
27b	DZ9100440001	1			Bracket for chamber left	气室支架(左)	
27c	DZ9100440002	1			Bracket for chamber right	气室支架(右)	
28	Q41216	4			Washer	垫圈	
29	Q341B16	4			Nut	六角螺母	
34	1880 340037	4			Plug	堵头	
35	1880 440031	4			Bearing bush	轴套	
36	1880 440025	4			Pin- brake shoe	制动蹄支销	
37	1880 440016	1			Brake splinder l.	制动底板(左)	
38	1880 440018	1			Brake splinder r.	制动底板(右)	
39	Q40314	28			Spring washer	弹簧垫圈	
40	Q151B1455	28			Screw	六角头螺栓	
41	Q5211220	4			Cyl. pin	圆柱销	
42	190003963114	2			Grease nipple	直通滑脂嘴	
43	1880 44 0035	2			Adapter	接头	
44	Q72308T5F	2			Gasket	密封圈	
45	1880 440020	1			Lever l.	摆臂(左)	
46	1880 440021	1			Lever r.	摆臂(右)	
47	WC9100340017	4			Bush	衬套	
48	WC9100340056	1			Brake adjusting arm left	制动调整臂(左)	
48a	WC9100340057	1			Brake adjusting arm right	制动调整臂(右)	
49	Q351B18T15	2	M18x 1.5		Nut	六角薄螺母	
50	Q151B1870	2	M18x 1.5x 70		Screw	六角头螺栓	
51	190003933300	2			Ring	轴用弹性挡圈	
52	1880 44 0022	2			Bracket- cam shaft	凸轮轴支架	
53	1880 44 0026	nB	S= 0.1		Washer.	调整垫片	
53	1880 44 0027	nB	S= 0.15		Washer	调整垫片	

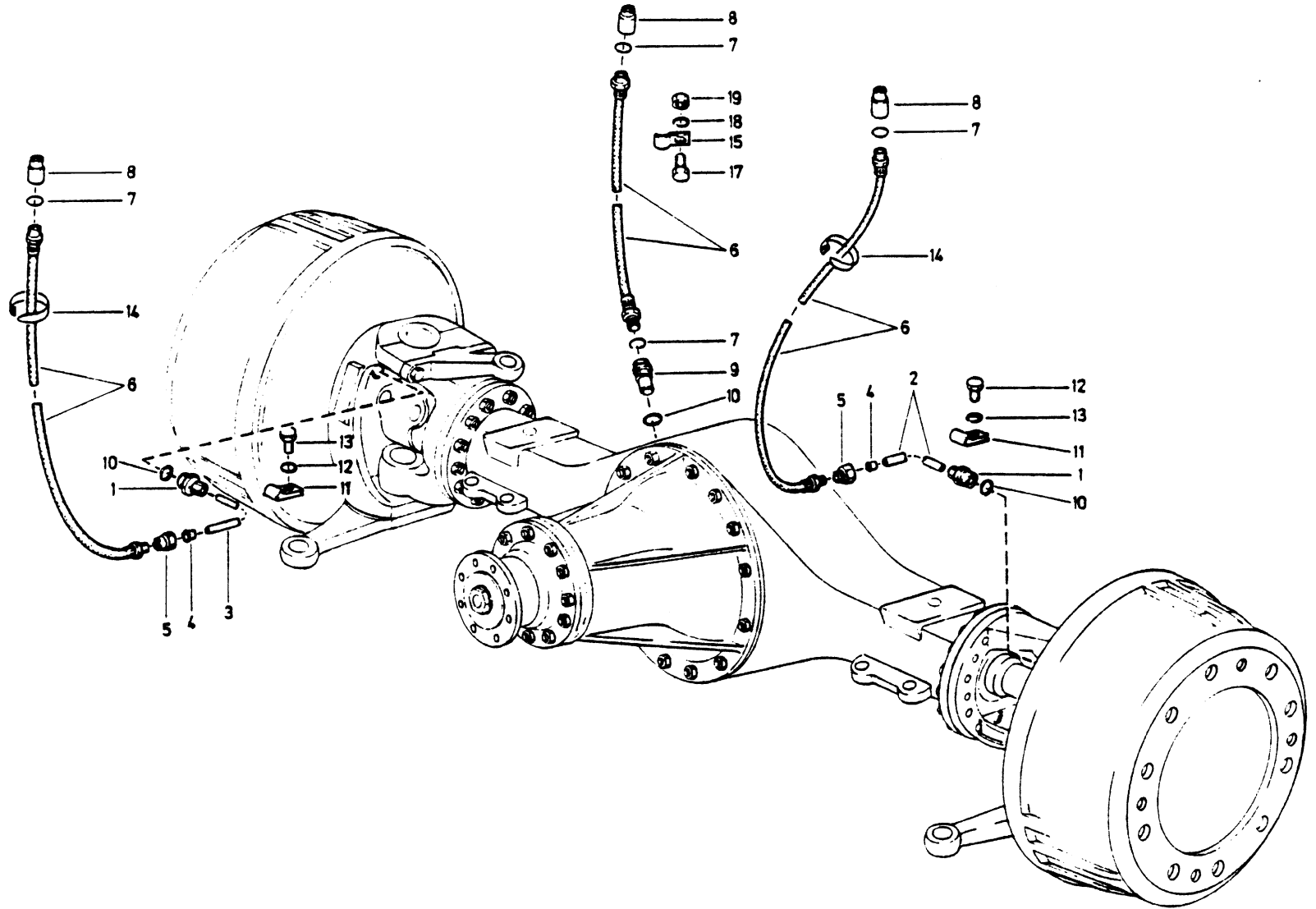
# 前驱动桥制动器



A10- 5

## BRAKE FOR FRONT WHEEL DRIVE AXLE/ 前驱动桥制动器

No	Number of part	Quantity	Description	Applicability	Designation	名称	Remark
53	1880 44 0028	nB	0.30		Washer	调整垫片	
54	AZ9100440012	2			Washer	附加垫片	
55	Q151C1230	4	M12× 1.5× 30		Screw	六角头螺栓	
56	190003963114	2			Grease nipple	米制锥螺纹滑脂嘴	
57	1880 440023	1			Brake camshaft	制动凸轮轴(左)	
58	1880 440024	1			Brake camshaft	制动凸轮轴(右)	
59	19000340027	4			Pressure roller	滚轮	



A10- 6

## INTEGRATED BREATHERY 集中通气装置

No	Number of part	Quantity	Description	Applicability	Designation	名称	Remark
1	190003559563	2		4x 4 6x 6	Thread adapter	螺纹接头	
2	199000410050	1		4x 4 6x 6	Tube right	Φ6 管路	
3	199000410051	1		4x 4 6x 6	Tube left	Φ6 管路 (左)	
4	190003559561	2		4x 4 6x 6	Bush	卡套	
5	190003559516	2		4x 4 6x 6	Nut	管接头用螺母	
6	199000330017	3		4x 4 6x 6	Pipe	低压软管	
7	Q72312T5F	4		4x 4 6x 6	Gasket	密封垫圈	
8	1680 330172	3		4x 4 6x 6	Ventilative plug	通气塞	
9	199000330015	1		4x 4 6x 6	Linker	连接件	
10	190003098026	3		4x 4 6x 6	Locking screw	密封垫圈	
11	1780 360072	2		4x 4 6x 6	Tube nip	管夹	
12	Q151B1216	2		4x 4 6x 6	Screw	六角头螺栓	
13	Q40312	2		4x 4 6x 6	Spring washer	弹簧垫圈	
14	190003171697	7		4x 4 6x 6	Plastic pull strap	塑料紧箍带	
15	138091360181	1		4x 4 6x 6	Tube nip	管夹	
16	161000060211	1		4x 4 6x 6	Tube	橡胶软管 15' 21	
17	Q150B0616	1		4x 4 6x 6	Screw	六角头螺栓	
18	Q40506	1		4x 4 6x 6	Spring washer	重型弹簧垫圈	
19	Q340B06	1		4x 4 6x 6	Nut	1 型六角螺母	

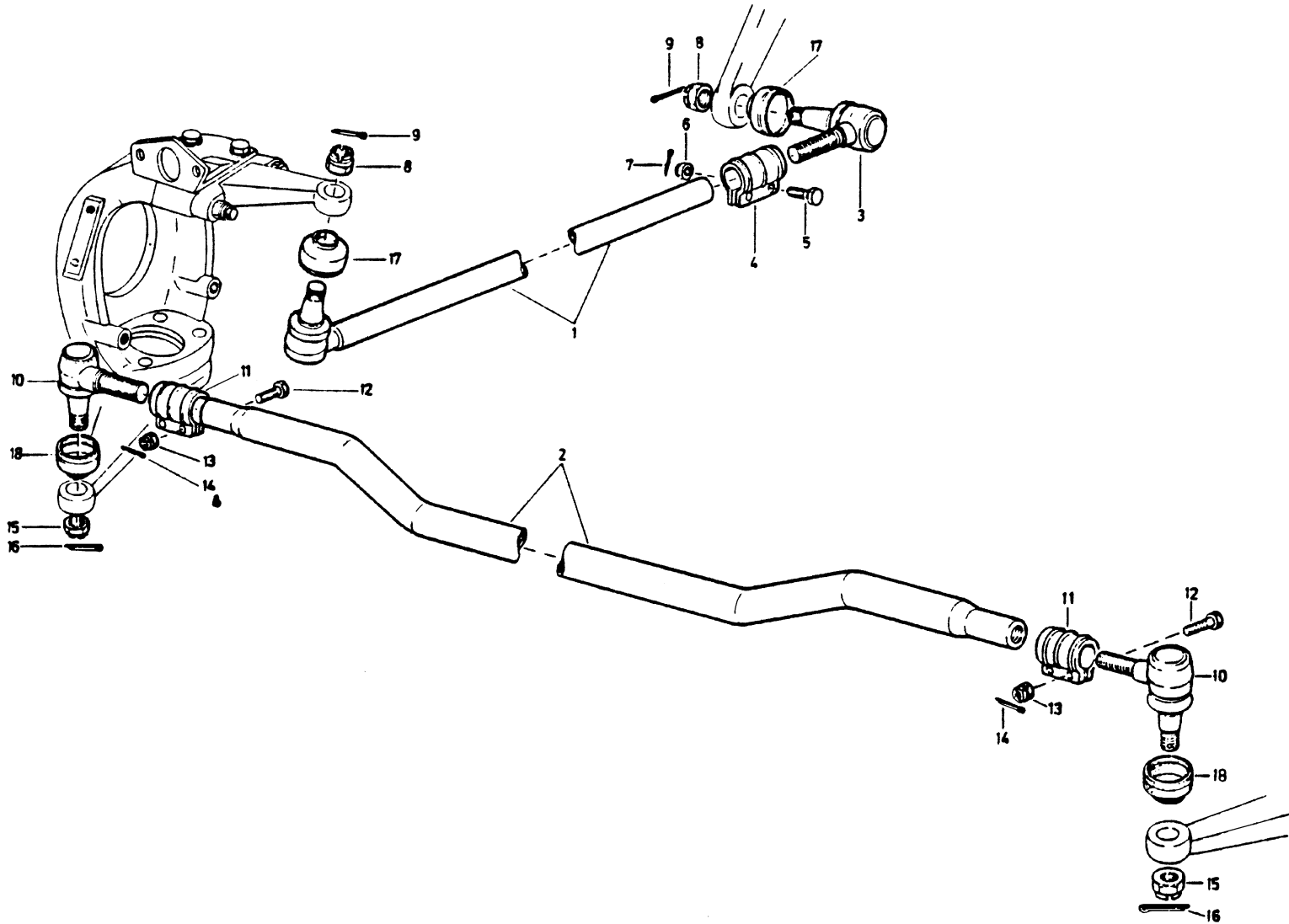
\* For off- highway vehicle

332

A10

转向拉杆

驱动前桥 7



A10- 7

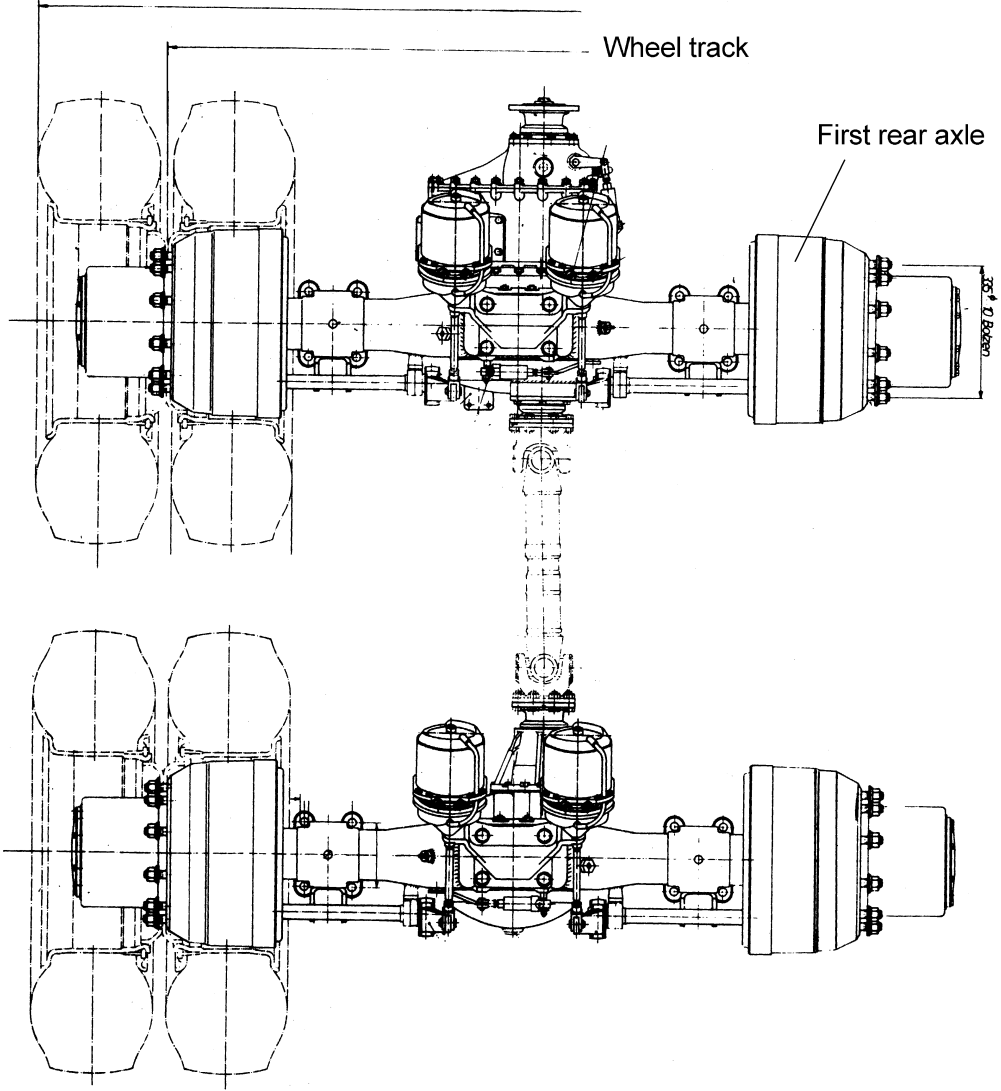
4x 4, 6x 6 TIE ROD/ 4x 4, 6x 6 转向横拉杆

No	Number of part	Quantity	Description	Applicability	Designation	名称	Remark
2	AZ9100430021	1			Tie rod C	转向横拉杆总成	
2- 1	AZ9100430021- 1	1			Tie rod	转向横拉杆	
10	AZ9100430021- 4	1			Ball joint right	右球头铰接头	
11	AZ9100430021- 5	1			Ball joint left	左球头铰接头	
12	AZ9100430021- 6	2			Clip	卡箍	
13	AZ9100430021- 7	2			Packing bellows	密封套	
15	190003872369	2			Nut	六角槽形扁螺母( 细牙)	
16	Q5005040	2			Split pin	开口销	

Wheel track

First rear axle

105 4 1/2 Bore





Nb	Number of part	Quantity	Description	Applicability	Designation	名称	Remark
1	AH71131500101	1	i= 4. 42, PF165, WT1800		Single rear axle	STEYR 单后桥 240/320 马力, i= 4. 42, 凸缘 165	
2	AH71131500115	1	i= 5. 73, TF180, WT1800		Single rear axle	STEYR 单后桥 i= 5. 73, XSΦ180	
3	JF1943300114	1	i= 4. 8, PF165, WT1800		Single rear axle	行星式后桥 240/320 马力, i= 4. 8, 带差速锁, 凸缘 165	
4	JF1943300115	1	i= 5. 73, PF165, WT1800		Single rear axle	行星式后桥 240/320 马力, i= 5. 73, 带差速锁, 凸缘 165	
5	JF1943300116	1	i= 6. 72, PF165, WT1800		Single rear axle	行星式后桥 240/320 马力, i= 6. 72, 带差速锁, 凸缘 165	
6	JF1943300117	1	i= 9. 49, PF165, WT1800		Single rear axle	加强型单后桥 i= 9. 49, 带差速锁, 凸缘 165	
7	JF1943300124	1	i= 4. 8, TF165, WT1800		Single rear axle	STEYR 单后桥总成 i= 4. 8, Φ165 端面齿法兰	
8	JF1943300125	1	i= 5. 73, TF165, WT1800		Single rear axle	STEYR 单后桥总成 i= 5. 73, Φ165 端面齿法兰	
9	JF1931. . 00102	1	i= 4. 8, TF180, WT1800		Single rear axle	STEYR 单后桥总成 i= 4. 8, Φ180 端面齿法兰	
10	JF1931. . 00113	1	i= 4. 42, PF180, WT1800		Single rear axle	行星式后桥 240/320 马力, i= 4. 42, 凸缘 180	
11	JF1931. . 00114	1	i= 4. 8, PF180, WT1800		Single rear axle	行星式后桥 240/320 马力, i= 4. 8, 凸缘 180	
12	JF1931. . 00166	1	i= 6. 72, PF165, WT1800, ABS		Single rear axle	STEYR 单后桥 i= 6. 72, 带差速锁及 ABS, Φ165	
13	AH71131500103	1	i= 5. 73, TF165, WT1800, ABS		Single rear axle	STEYR 后桥( i= 5. 73, Φ165 端齿, ABS)	
14	AH71131500106	1	i= 4. 42, TF165, WT1800, ABS		Single rear axle	STEYR 单后桥( i= 4. 42, XSΦ165, ABS)	
15	AH71131501001	1	i= 4. 8, TF165, WT1800, ABS		Single rear axle	STEYR 单后桥 i= 4. 8, ABS, XSΦ165, 调整臂	
16	AH71131501002	1	i= 4. 8, TF180, WT1800, ABS		Single rear axle	STEYR 单后桥( i= 4. 8, 带 ABS, 端面齿 Φ180, 调整臂)	
17	AH71131500603	1	i= 5. 73, TF165, WT1850, ABS		Single rear axle	STEYR 单后桥( i= 5. 73, Φ165 端面齿, 装 ABS, 轮距 1850)	
18	AH71131500605	1	i= 5. 73, TF180, WT1850, ABS		Single rear axle	STEYR 单后桥( i= 5. 73, 端面齿 180, 装 ABS, 轮距 1850)	
18	AH71131500622	1	i= 4. 42, PF165, WT1850		Single rear axle	STEYR 单后桥( i= 4. 42, Φ165, 轮距 1850)	
19	AH71131500624	1	i= 4. 42, TF165, WT1850		Single rear axle	STEYR 单后桥( i= 4. 42, XSΦ165, 轮距 1850)	
20	AH71131500627	1	i= 4. 8, TF165, WT1850		Single rear axle	STEYR 单后桥( i= 4. 8, Φ165 端面齿, 轮距 1850)	
21	AH71131500629	1	i= 5. 73, TF165, WT1850		Single rear axle	STEYR 单后桥( i= 5. 73, Φ165 端面齿, 轮距 1850)	
22	AH71131501051	1	i= 4. 8, TF165, WT1850, ABS		Single rear axle	STEYR 单后桥( i= 4. 8, XSΦ165, ABS, 轮距 1850, 调整臂)	
23	AH71131500601	1	i= 4. 8, TF165, WT1850		6× 2 Single rear axle	STEYR 单后桥( i= 4. 8, 端面齿 165, 6× 2, 轮距 1850)	

\* PF165, PF180——Φ165, Φ180 Plane flange

WT1800, WT1850——Wheel track 1800mm, 1850mm

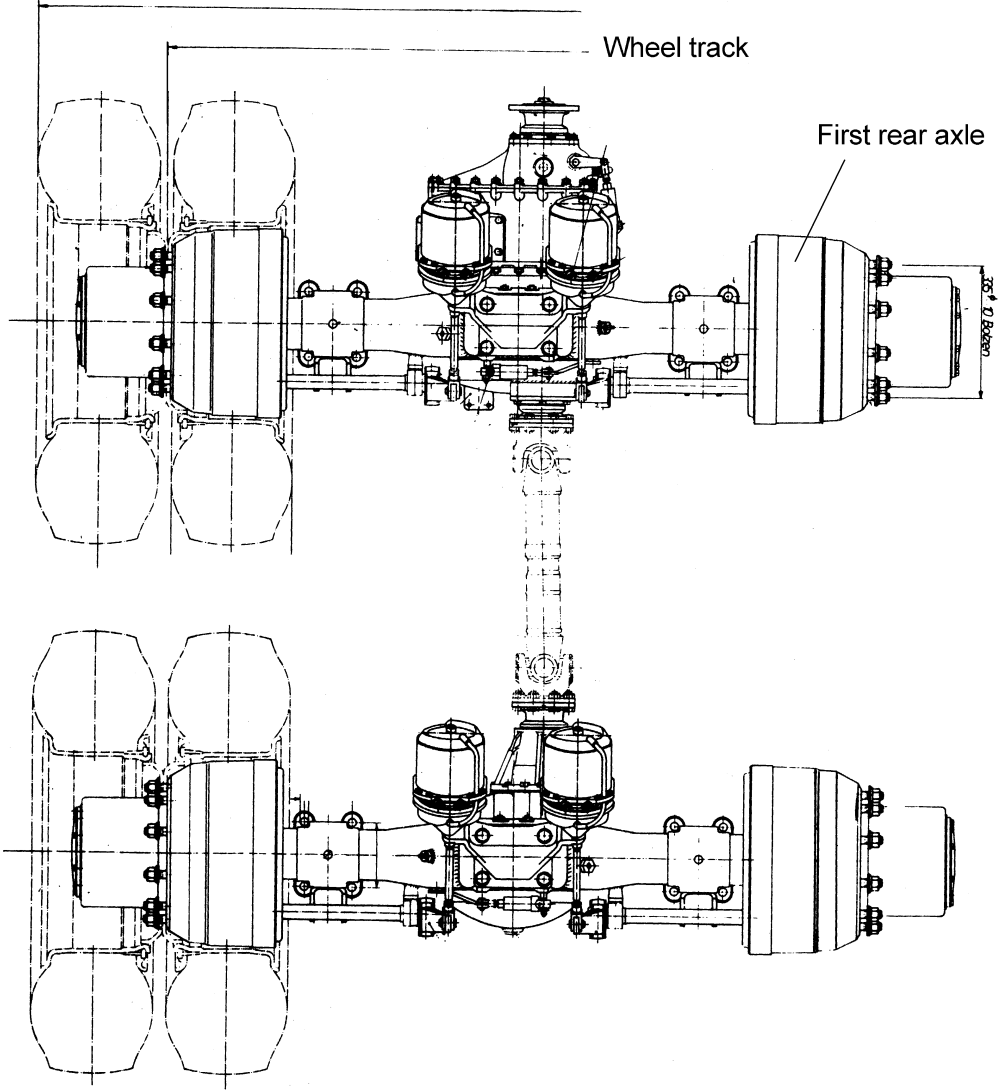
TF165, TF180——Φ165, Φ180 Toothed flange

SSS——Self- stop suspension

Wheel track

First rear axle

105 4 1/2 inches

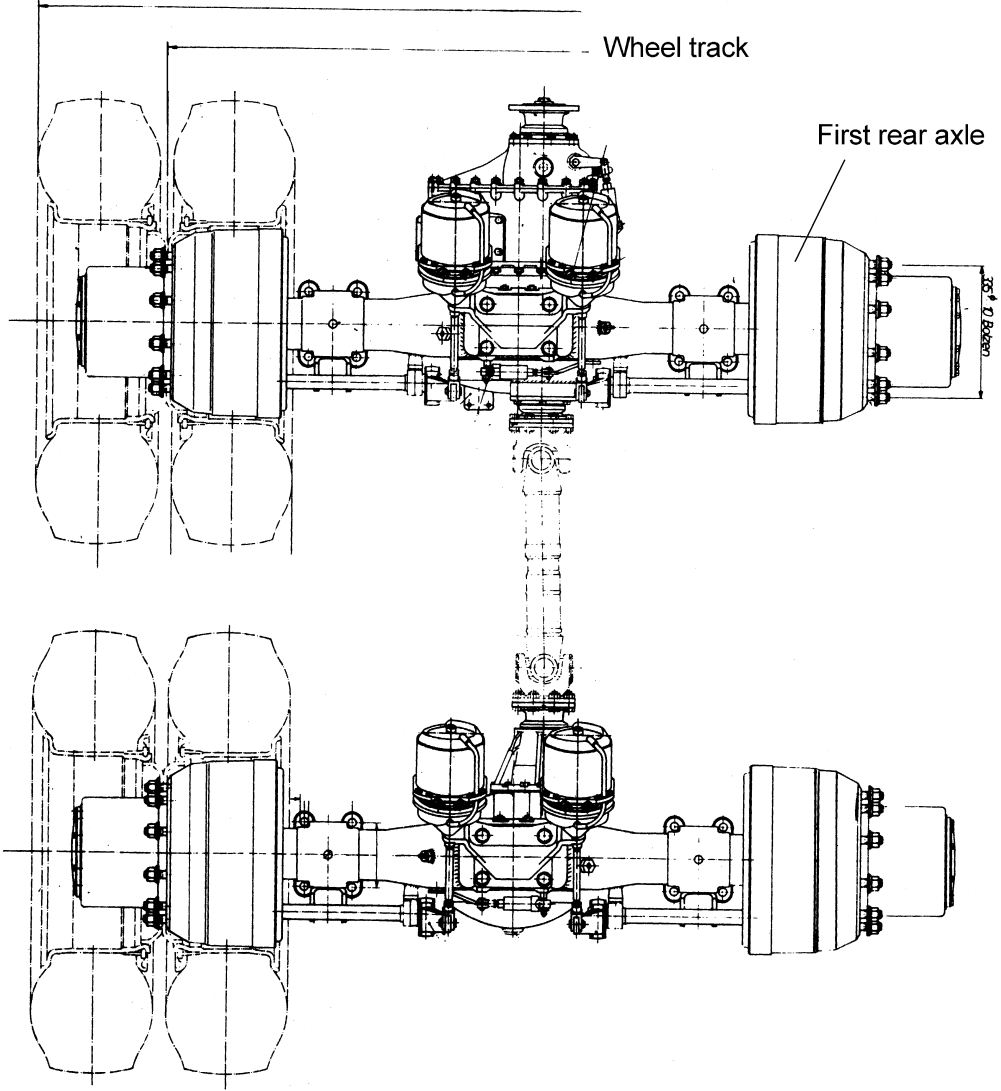


Nb	Number of part	Quantity	Description	Applicability	Designation	名称	Remark
24	AH71131500612	1	i= 4.8, TF180, WT1850		6× 2 Single rear axle	STEYR 单后桥 i= 4.8, 端面齿 180, 6× 2, 轮距 1850	
25	AH71131501052	1	i= 4.8, TF180, WT1850, ABS		6× 2 Single rear axle	STEYR 单后桥 i= 4.8, XSΦ180, 6× 2, ABS, 1850, 调整臂	
26	AH71131400102	1	i= 5.73, TF180, WT1800		Double rear axle	STEYR 双联桥( i= 5.73, Φ180 端面齿)	
27	AH71131400107	1	i= 4.8, PF165, SSS, WT1800		Double rear axle	STEYR 双联桥 i= 4.8, 带差速锁、自限位平衡悬架	
28	AH71131400108	1	i= 5.73, PF165, SSS, WT1800		Double rear axle	STEYR 双联桥 i= 5.73, 带差速锁、自限位平衡悬架	
29	AH71131400111	1	i= 5.73, PF180, SSS, WT1800		Double rear axle	STEYR 双联桥 i= 5.73, Φ180, 自限位平衡悬架	
30	AH71131400112	1	i= 5.73, TF180, SSS, WT1800		Double rear axle	STEYR 双联桥 i= 5.73, Φ180 端面齿, 自限位平衡悬架	
31	AH71131400114	1	i= 4.8, PF180, SSS, WT1800		Double rear axle	STEYR 双桥 4.8, Φ180, 加长型车轮螺栓自限位平衡悬架	
32	AH71131400116	1	i= 4.8, TF180, SSS, WT1800		Double rear axle	STEYR 双联桥( i= 4.8, Φ180 端面齿, 自限位平衡悬架)	
33	AH71131501082	1	i= 4.42, TF165, WT1850, ABS		Single rear axle	STEYR 单后桥 i= 4.42, XSΦ165, ABS, 1850, 调整臂	
33	AH71131400117	1	i= 4.8, TF165, SSS, WT1800		Double rear axle	STEYR 双联桥( i= 4.8, Φ165 端面齿, 自限位平衡悬架)	
34	AH71131400118	1	i= 5.73, TF165, SSS, WT1800		Double rear axle	STEYR 双联桥 i= 5.73, Φ165 端面齿, 自限位平衡悬架	
34	AH71131400174	1	i= 6.72, TF180, SSS, WT1800		Double rear axle	STEYR 双桥( 6.72, XSΦ180, 自限位平衡悬架)	
35	JF2643300107	1	i= 4.8, PF165, WT1800		Double rear axle	双联桥( 行星型双桥, 速比 4.8, 带差速锁平衡悬架)	
36	JF2643300108	1	i= 5.73, PF165, WT1800		Double rear axle	双联桥( 行星型双桥, 速比 5.73, 带差速锁平衡悬架)	
37	JF2643300109	1	i= 6.72, PF165, WT1800		Double rear axle	双联桥( 行星型双桥, 速比 6.72, 带差速锁平衡悬架)	
38	JF2631. . 00167	1	i= 4.42, PF180, WT1800		Double rear axle	STEYR 双联桥( 360 马力, i= 4.42, Φ180)	
39	JF2631. . 00168	1	i= 4.42, PF165, WT1800		Double rear axle	STEYR 双联桥( 320 马力, i= 4.42, Φ165)	
40	AH71131400175	1	i= 4.42, PF180, 4S/4MABS, SSS, WT1800		Double rear axle	STEYR 双桥 i= 4.42, Φ180, 4S/4MABS, 自限位平衡悬架	
41	AH71131400177	1	i= 6.72, TF180, 4S/4MABS, SSS, WT1800		Double rear axle	STEYR 双桥 6.72, XSΦ180, 自限位平衡悬架, 4S/4MABS)	
42	AH71131401002	1	i= 4.8, TF180, 4S/4MABS, SSS, WT1800		Double rear axle	STEYR 双联桥 速比 4.8, 带 ABS 端面齿 Φ180, 调整臂)	
43	AH71131401015	1	i= 5.73, TF180, 4S/4MABS, SSS, WT1800		Double rear axle	STEYR 双桥 5.73, XSΦ180, 自限位平衡悬架, ABS, 调整臂)	
44	AH71131401016	1	i= 5.73, TF165, 4S/4MABS, SSS, WT1800		Double rear axle	STEYR 双桥 5.73, XSΦ165, 自限位平衡悬架, ABS, 调整臂)	
45	AH71131400104	1	i= 5.73, PF165, WT1850		Double rear axle	STEYR 双联桥( i= 5.73, Φ165 轮距 1850)	
46	AH71131400176	1	i= 6.72, PF165, WT1850		Double rear axle	STEYR 双桥 i= 6.72, Φ165, 4S/4MABS, 自限位, 1850 轮距)	
47	AH71131400201	1	i= 4.80, PF165, WT1850		Double rear axle	STEYR 双联桥( i= 4.8, Φ165, 装 ABS, 轮距 1850)	

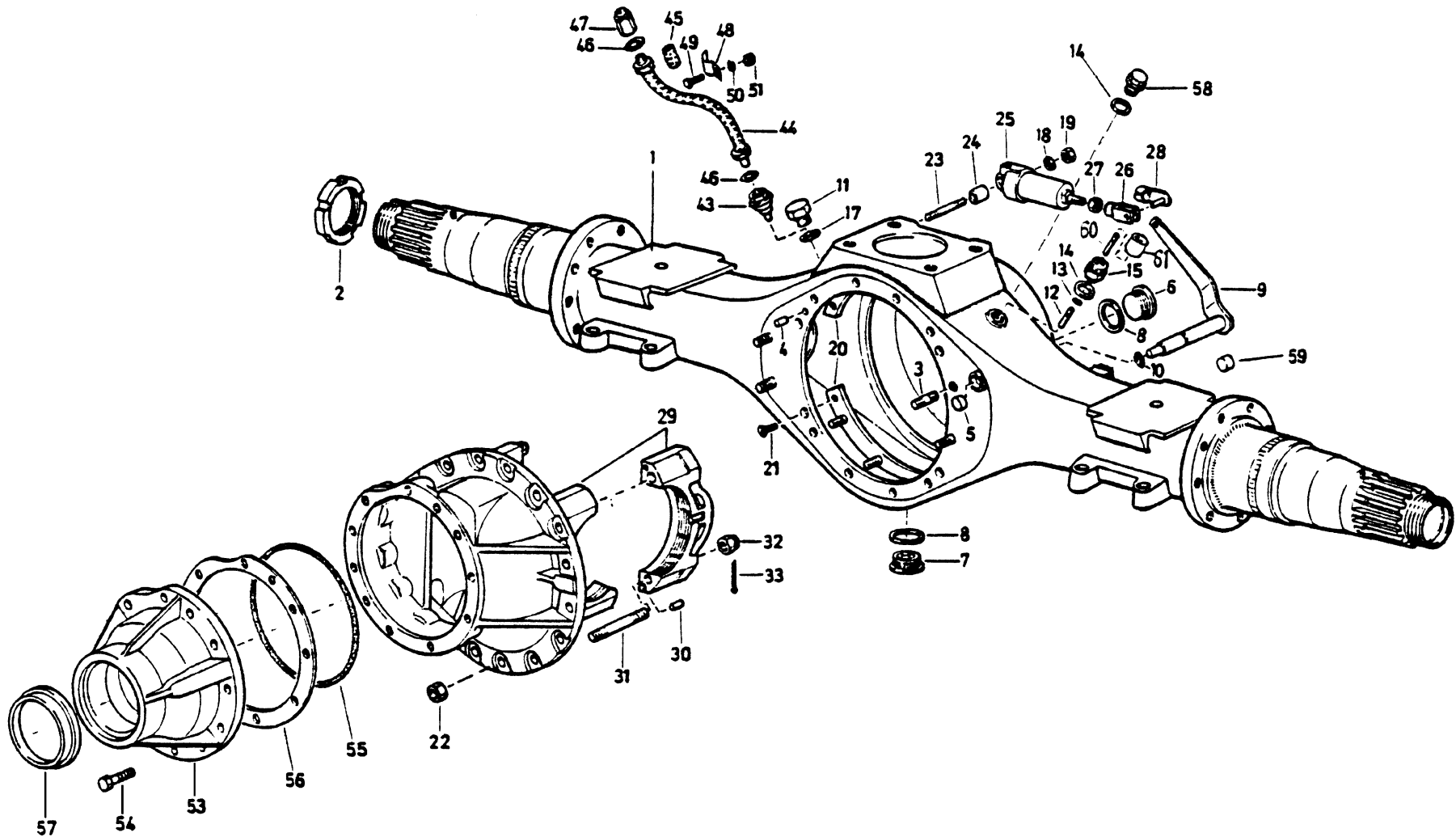
Wheel track

First rear axle

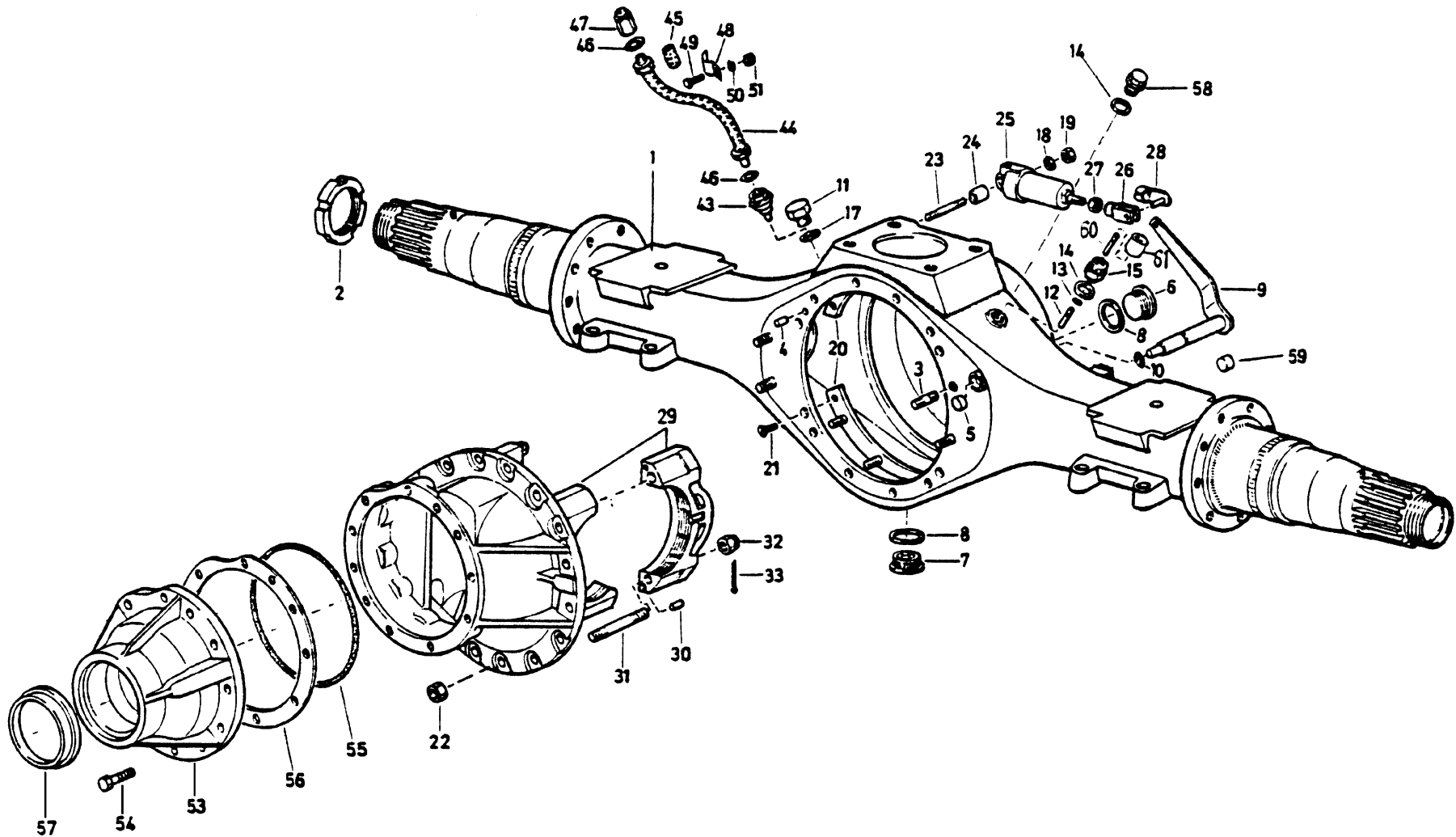
105 4 1/2 inches



Nb	Number of part	Quantity	Description	Applicability	Designation	名称	Remark
48	AH71131400202	1	i= 4.8, TF165, WT1850, ABS		Double rear axle	STEYR 双联桥 i= 4.8, $\Phi$ 165 端面齿, 装 ABS, 轮距 1850	
49	AH71131400203	1	i= 4.8, PF180, WT1850		Double rear axle	STEYR 双联桥 i= 4.8, $\Phi$ 180, 轮距 1850	
49	AH71131400222	1	i= 4.8, PF165, WT1850		Double rear axle	STEYR 双联桥 i= 4.42, $\Phi$ 165, 轮距 1850	
50	AH71131400223	1	i= 4.42, TF180, WT1850		Double rear axle	STEYR 双桥 i= 4.42, XS $\Phi$ 180, 轮距 1850	
51	AH71131400224	1	i= 4.42, PF165, WT1850		Double rear axle	STEYR 双桥 i= 4.42, XS $\Phi$ 165, 轮距 1850	
52	AH71131400501	1	i= 4.8, PF165, WT1850		Double rear axle	STEYR 双联桥 i= 4.8, $\Phi$ 165, 轮距 1850	
53	AH71131400502	1	i= 4.8, TF165, WT1850		Double rear axle	STEYR 双联桥 i= 4.8, $\Phi$ 165 端面齿, 轮距 1850	
54	AH71131400503	1	i= 5.73, TF165, WT1850		Double rear axle	STEYR 双联桥 i= 5.73, $\Phi$ 165 端面齿, 轮距 1850	
54	AH71131400506	1	i= 5.73, TF180, WT1850		Double rear axle	STEYR 双联桥 i= 5.73, XS $\Phi$ 180, 轮距 1850	
55	AH71131400525	1	i= 4.42, PF165, WT1850, ABS		Double rear axle	STEYR 双联桥 i= 4.42, $\Phi$ 165, 4S/4MABS, 轮距 1850	
56	AH71131400526	1	i= 4.42, TF165, WT1850, ABS		Double rear axle	STEYR 双桥 i= 4.42, XS $\Phi$ 165, 4S/4MABS, 轮距 1850	
57	AH71131400560	1	i= 6.72, TF165, WT1850		Double rear axle	STEYR 双联桥 i= 6.72, XS $\Phi$ 165, 轮距 1850	
58	AH71131400561	1	i= 6.72, TF180, WT1850		Double rear axle	STEYR 双联桥 i= 6.72, XS $\Phi$ 180, 轮距 1850	
59	AH71131401061	1	i= 5.73, TF165, WT1850, ABS		Double rear axle	STEYR 双联桥 i= 5.73, XS $\Phi$ 165, 轮距 1850, ABS, 调整臂	
60	AH71131400101	1	i= 5.73, TF165, WT1830		Double rear axle	斯太尔双桥, 速比 5.73, 输入 $\Phi$ 165 端面齿, 轮距 1830	



Nb	Number of part	Quantity	Description	Applicability	Designation	名称	Remark
1	AZ9231330161	1			Rear axle housing	后桥壳总成	WT1800
1	26012330165	1			Rear axle housing	后桥壳总成	WT1800, ABS
1	AZ9231330265	1			Rear axle housing	后桥壳总成	WT1850, ABS
1	AZ9231330065	1		B38/ 6x 4	Rear axle housing	后桥壳总成(车架前 780 后 850)	WT1830
1	AZ9231330266	1		6x 2	Rear axle housing	后桥壳总成	WT1850, ABS
2	1680 340013	2			Nut	园螺母	
3	190003810631	4			Stud	双头螺柱- M12- M12*1.5*30	
5	190003989290	1			Core plug	碗形堵塞	
6	181500010163	1			Screw	螺塞	
7	1586 330015	1			Magnet plug	磁性螺塞总成	
8	Q72336	2			Gasket	密封垫圈	
9	199014330125	1			Lever	操纵杆总成	
10	1680M320015	1			O- ring	O 型垫圈	
11	199000330006	1			Breather	通气口总成	
12	169000330008	1			Pin	销	
12	169000330009	1			Pin	销	
12	BZ9100330010	1			Pin	销	
13	Q43705	1			Snap ring	轴用钢丝挡圈	
14	Q72318 T5F	1			Gasket	密封垫圈	
15	WG9100710003	1			Pressure switch	压力开关	
18	Q40108	1			Washer	平垫圈	
19	Q33208	1			Nut	2 型全金属六角锁紧螺母	
20	199014330146	1			Connecting clip below	弓形固定卡总成(下)	
20	199014330147	1			Connecting clip above	弓形固定卡总成(上)	
21	Q2540820	4			Screw	十字槽沉头螺钉	
22	190003888732	16			Nut	六角螺母	

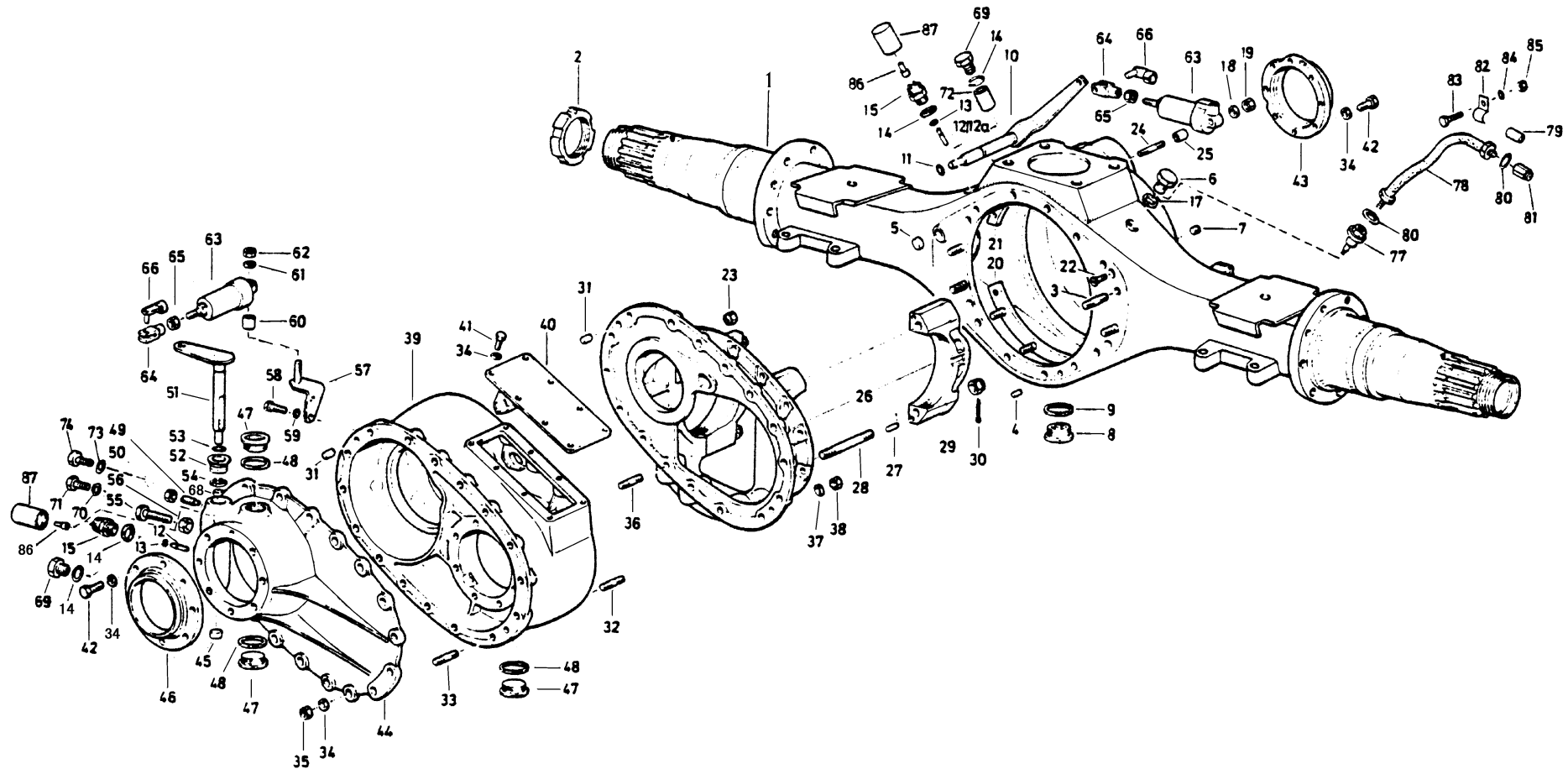




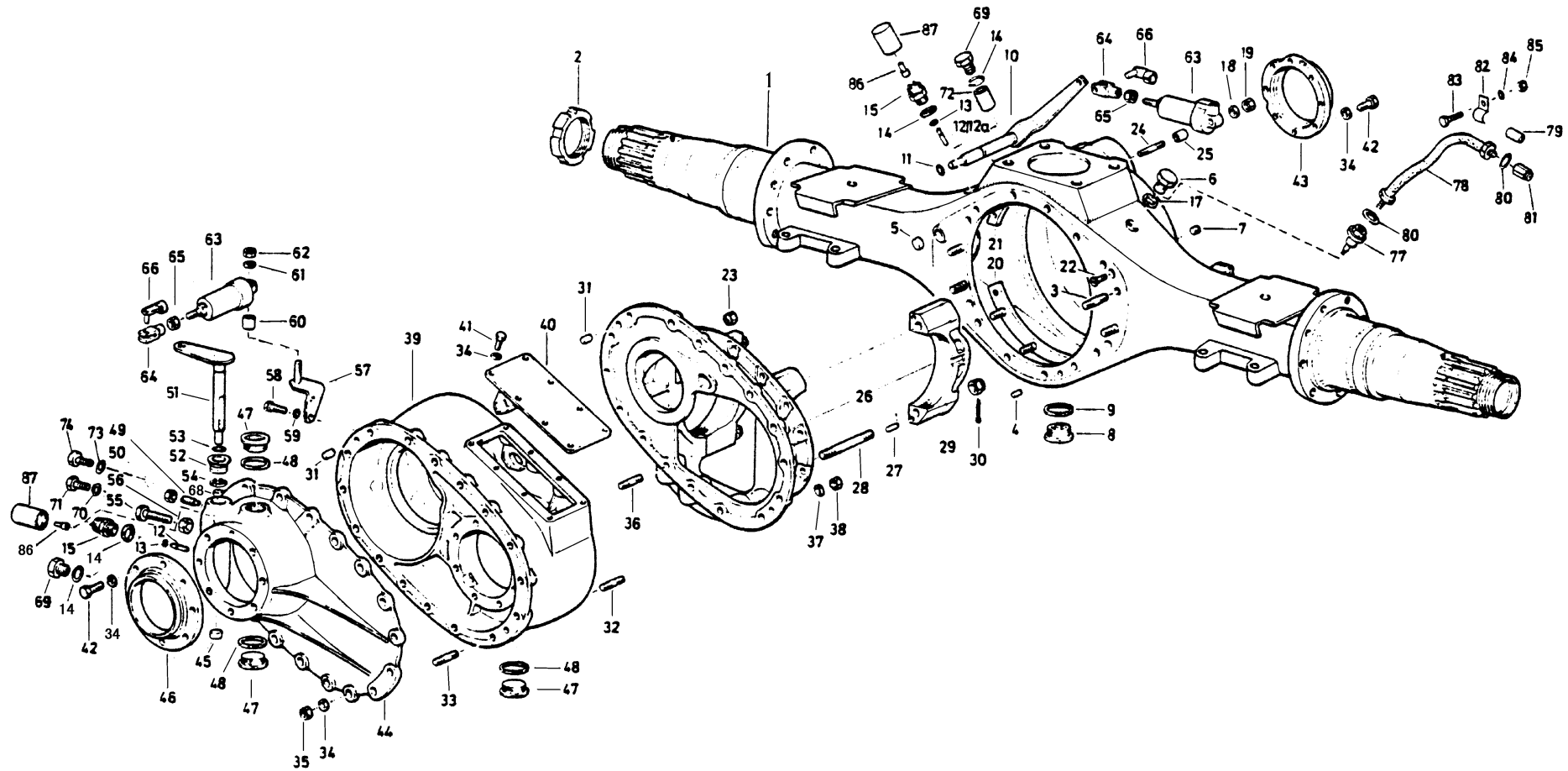
Nb	Number of part	Quantity	Description	Applicability	Designation	名称	Remark
23	Q1200850F3	1			Stud	双头螺柱	
24	161000060084	1			Sleeve	间隔衬套	
25	179100360018	1			Operating cylinder	工作缸	
26	190003964418	1			Clevis	叉形活节	
27	190003870221	1			Nut	六角薄螺母- Q350B08T15	
28	WG780 350055	1			Pin	ES 平头销	
29	199012320098	1			Housing of rear axle driver	主减速器壳	
30	Q5210820	4			Pin	园柱销- Q5210820	
31	Q12316120	4			Stud	双头螺柱	
32	190003888459	4			Nut	自锁螺母	
53	199012320131	1			Bearing housing	轴承座	
54	Q150B1230TF2	12			Screw	六角头螺栓	
55	199012320133	1			Gasket	密封圈	
56	199012320173	nB			Shim	调整垫片(厚 0.1)	
56	199012320174	nB			Shim	调整垫片(厚 0.15)	
56	199012320175	nB			Shim	调整垫片(厚 0.4)	
56	199012320176	nB			Shim	调整垫片(厚 1)	
57	199012320121	1			Ring	环	
58	190003962030	1			Plug	六角头螺塞	
59	190003989201	1			Core plug	碗形堵塞	

\* WT1800: wheel track= 1800mm

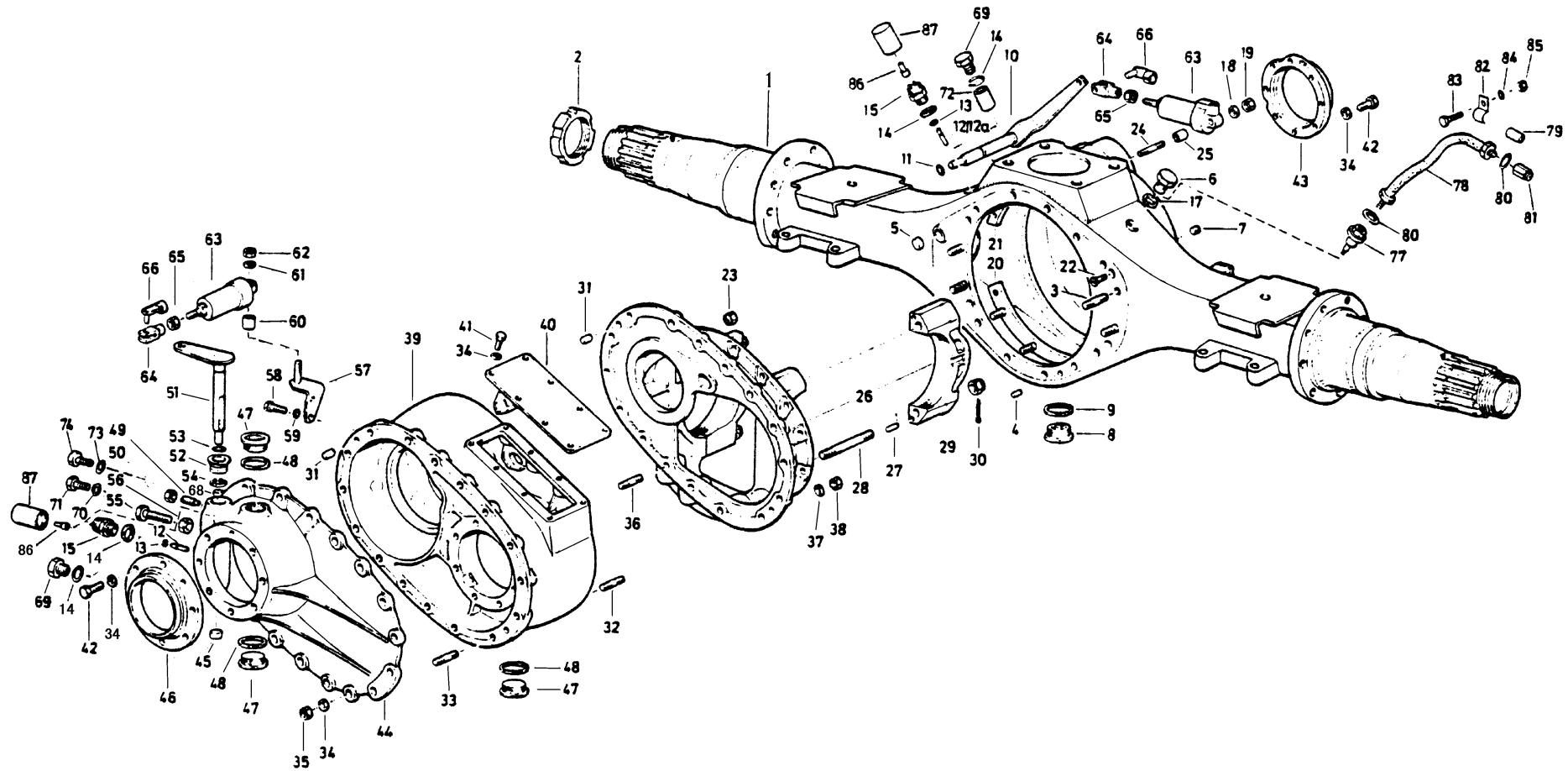
WT1850: wheel track= 1850mm



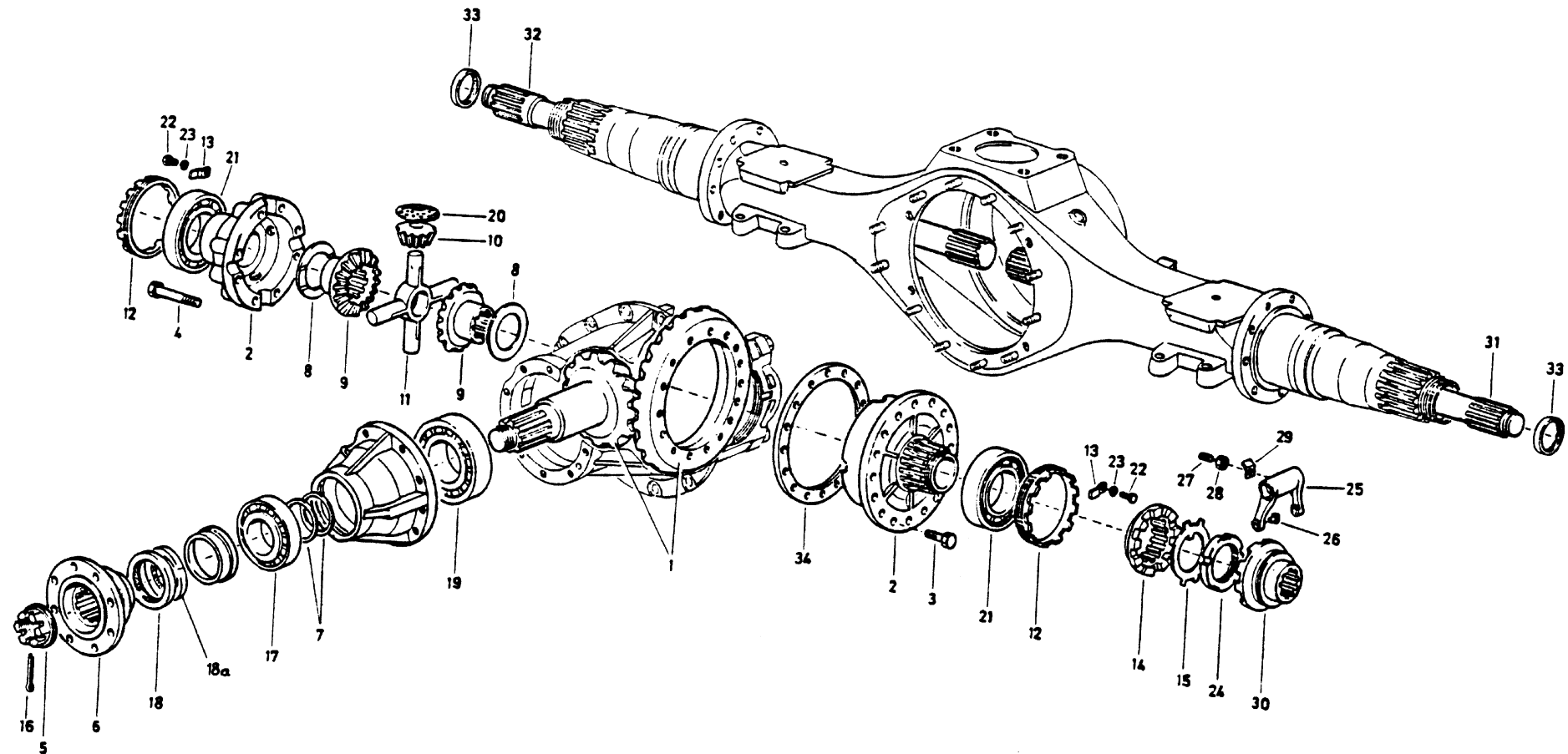
Nb	Number of part	Quantity	Description	Applicability	Designation	名称	Remark
1	26013330208	1		6× 4, 6× 6, 8× 4	Fir. rear axle housing	中桥壳总成	WT1800
1	26013330308	1		6× 4, 6× 6, 8× 4	Fir. rear axle housing	ABS 用中桥壳总成	WT1800, for ABS
1	AZ9231330208	1		B38/ 6× 4	Fir. rear axle housing	中桥壳总成	WT1830
1	AZ9231332208	1		6× 4, 6× 6, 8× 4	Fir. rear axle housing	ABS 用中桥壳总成	WT1850
2	1680 340013	2			Nut	园螺母 右	
3	190003810631	4			Stud	双头螺柱- M12- M12*1.5*30	
4	Q5211016	1			Pin	园柱销	
5	190003989290	1			Core plug	碗形堵塞	
6	199000330006	1			Breather	通气塞总成	
7	190003962021	2			Screw	锥螺纹内六角螺塞	
8	1586 330015	1			Magnet plug	磁性螺塞总成	
9	Q72336	1			Gasket	密封垫圈	
10	199014330126	1			Lever	操纵杆总成	
11	1680M320015	1			O- ring	O 型垫圈	
12	169000330008	1			Pin	销	
12	169000330009	1			Pin	销	
12	BZ9100330010	2			Pin	销	
13	Q72318 T5F	2			Gasket	密封垫圈	
14	Q72318 T5F	2			Gasket	密封垫圈	
15	WG9100710003	1			Pressure switch	压力开关	
18	Q40108	1			Washer	平垫圈	
19	Q33208	1			Nut	2 型全金属六角锁紧螺母	
20	199014330146	1			Connecting clip below	弓形固定卡总成(下)	
21	199014330147	1			Connecting clip above	弓形固定卡总成(上)	
22	Q2540820	4			Screw	十字槽沉头螺钉	
23	190003888457	16			Nut	自锁螺母 M12*1.5	



Nb	Number of part	Quantity	Description	Applicability	Designation	名称	Remark
24	Q1200850F3	1			Stud	双头螺柱	
25	161000060084	1			Sleeve	间隔衬套	
26	199014320120	1			Housing of 1st rear axle driver	主减速器壳	
27	Q5210820	4			Pin	园柱销	
28	Q12316120	4			Stud	双头螺柱	
29	190003888459	4			Nut	自锁螺母	
31	Q5211016	4			Pin	园柱销	
32	190003813628	14			Stud	双头螺柱	
33	Q1201028F3	18			Stud	双头螺柱	
34	Q40310	34			Spring washer	弹簧垫圈	
35	Q340B10	18			Nut	1型六角螺母	
36	Q1201225F3	4			Stud	双头螺柱	
37	Q40312	18			Spring washer	弹簧垫圈	
38	Q340B12	18			Nut	1型六角螺母	
39	199014320259	1			Housing	过桥箱	
40	199014320118	1			Cover	接油板总成	
41	Q150B1020Q	8			Screw	六角头螺栓	
42	Q150B1025	8			Screw	六角头螺栓	
43	199014320141	1			Cover	轴承座	
44	199014320144	1			Cover	过桥箱盖	
45	190003989279	1			Core plug	碗形堵塞	
46	199014320175	1			Cover	端盖	
47	181500010163	1			Plug	螺塞	
47A	1586 33 15	2			Magnet plug	磁性螺塞总成	
48	Q72336	3			Gasket	密封垫圈	
49	190003902070	1			Screw	开槽长园柱端紧定螺-螺钉	



Nb	Number of part	Quantity	Description	Applicability	Designation	名称	Remark
50	Q340B08	1			Nut	1型六角螺母	
51	199014320076	1			Lever	差速锁摇臂总成	
52	12700 320037	1			Sleeve	衬套	
53	1288 730062	1			O- ring	O型密封圈	
54	190003933072	1			Snap ring	轴用弹性档圈	
55	Q150B1050Q	1			Screw	六角头螺栓	
56	Q340B10	1			Nut	1型六角螺母	
57	199014320156	1			Bracket	托架总成	
58	Q150B0818	2			Screw	六角头螺栓	
59	Q40308	2			Spring washer	弹簧垫圈	
60	161000060072	1			Sleeve	隔套	
61	Q40108	1			Washer	平垫圈	
62	Q33208	1			Nut	2型全金属六角锁紧螺母	
63	179100360018	2			Operating cylinder	工作缸	
64	190003964418	2			Clevis	叉形活节	
65	Q350B08T5F	2			Nut	六角薄螺母	
66	1780 350055	2			Pin	ES平头销	
70	Q72310T5F	1			Gasket	密封垫圈	
71	Q150B1012	1			Screw	六角头螺栓	
73	Q72308T5F	1			Gasket	密封垫圈	
74	Q150B0810	1			Screw	六角头螺栓	

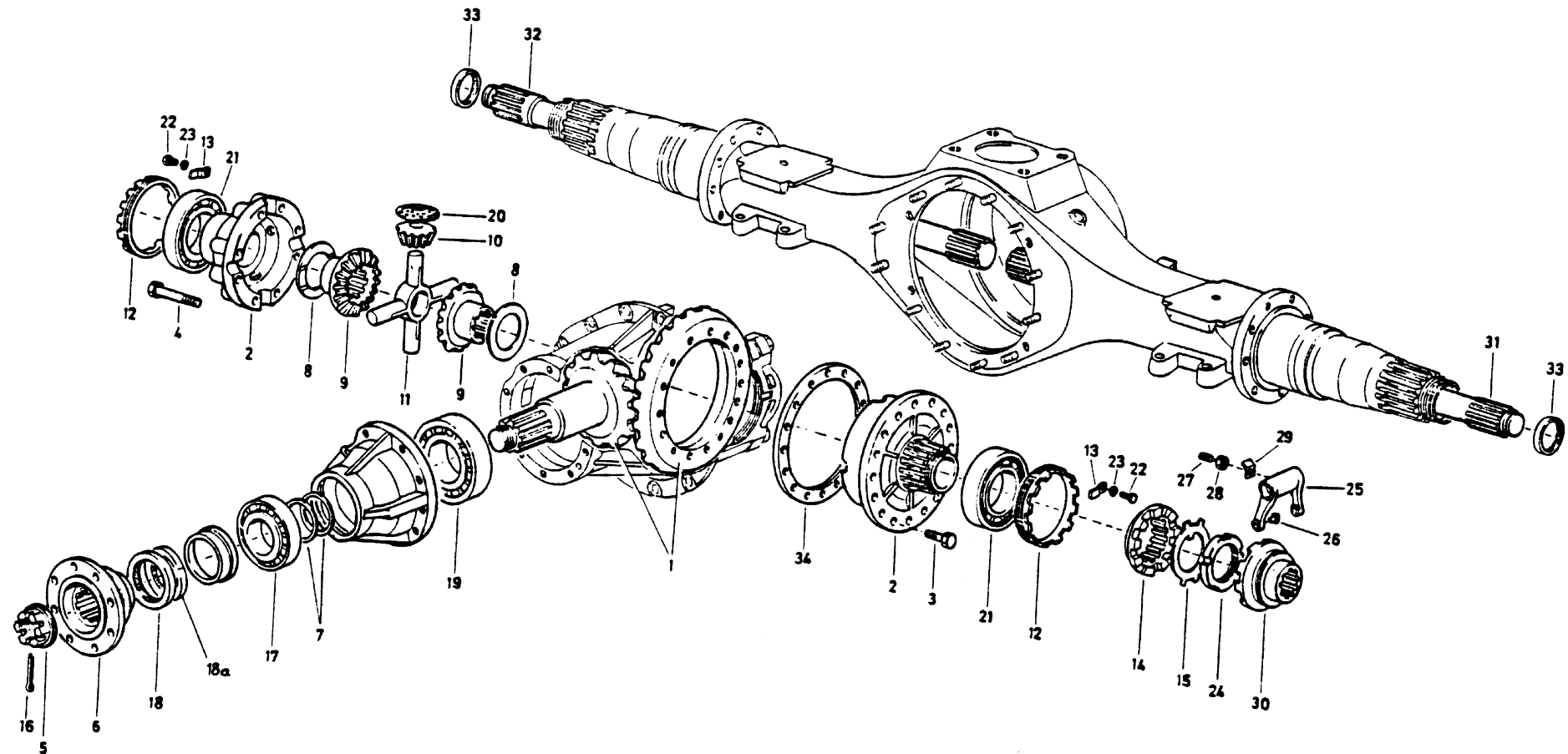




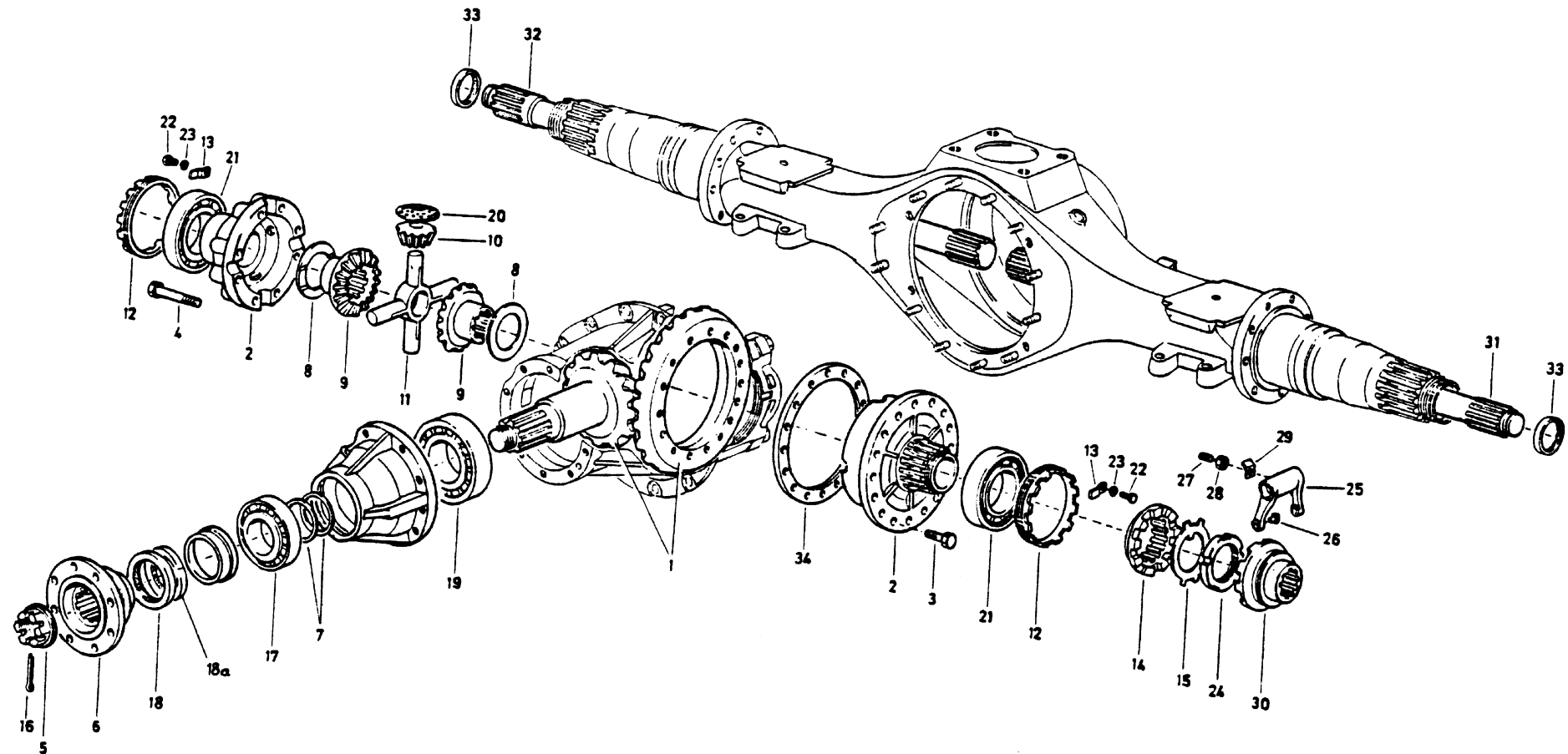
Nb	Number of part	Quantity	Description	Applicability	Designation	名称	Remark
0	AZ9231320009	1		i= 4. 42, Φ165PF	Rrear axle drive	后桥中段	
0	AZ9231320007	1		i= 4. 42, Φ165TF	Rrear axle drive	后桥中段	
0	199114320005	1		i= 4. 42, Φ180PF	Rrear axle drive	后桥中段	
0	AZ9112320161	1		i= 4. 8, Φ165PF	Rrear axle drive	后桥中段	
0	AZ9112322010	1		i= 4. 8, Φ165TF	Rrear axle drive	后桥中段	
0	AZ9112320140	1		i= 4. 8, Φ180PF	Rrear axle drive	后桥中段	
0	AZ9112320050	1		i= 4. 8, Φ180TF	Rrear axle drive	后桥中段	
0	AZ9112320143	1		i= 5. 73, Φ165PF	Rrear axle drive	后桥中段	
0	AZ9112320025	1		i= 5. 73, Φ165TF	Rrear axle drive	后桥中段	
0	AZ9231320146	1		i= 5. 73, Φ180PF	Rrear axle drive	后桥中段	
0	AZ9231320143	1		i= 5. 73, Φ180TF	Rrear axle drive	后桥中段	
0	AZ9231320144	1		i= 6. 72, Φ165PF	Rrear axle drive	后桥中段	
0	AZ9231320140	1		i= 6. 72, Φ180PF	Rrear axle drive	后桥中段	
0	AZ9231320147	1		i= 9. 49, Φ165PF	Rrear axle drive	后桥中段	
1	199112320003	1		i= 4. 42	Pinion and crown wheel	锥齿轮付 33/ 26	
1	199012320181	1		i= 4. 8	Pinion and crown wheel	锥齿轮付 29/ 21	
1	199012320177	1		i= 5. 73	Pinion and crown wheel	锥齿轮付 28/ 17	
1	199012320178	1		i= 6. 72	Pinion and crown wheel	锥齿轮付 29/ 15	
1	199012320179	1		i= 7. 49	Pinion and crown wheel	锥齿轮付 28/ 13	
1	199012320180	1		i= 8. 4	Pinion and crown wheel	锥齿轮付 29/ 12	
1	199012320182	1		i= 9. 49	Pinion and crown wheel	锥齿轮付 30/ 11	
2	199012320503	1		i= 4. 42, 4. 8	Diff. housing	差速器壳	
2	199012320198	1		i= 5. 73, 6. 72	Diff. housing	差速器壳	
2	AZ9112320199	1		i= 9. 49	Diff. housing	差速器壳	
2	179012320199	1		i= 7. 49, 8. 4	Diff. housing	差速器壳	
3	Q151B1632TF2	16			Screw	六角头螺栓	

\* PF—Plane flange

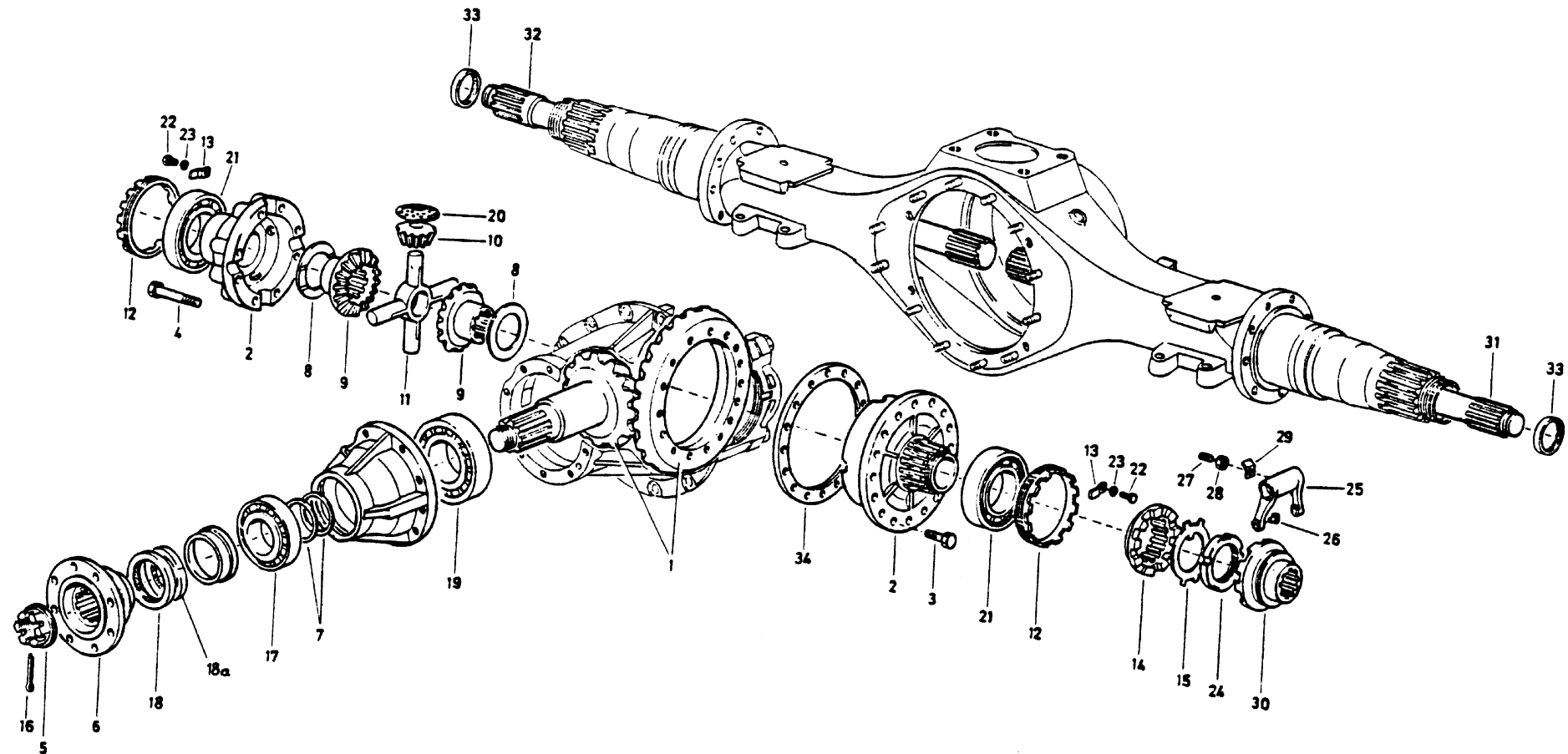
TF—Toothed flange



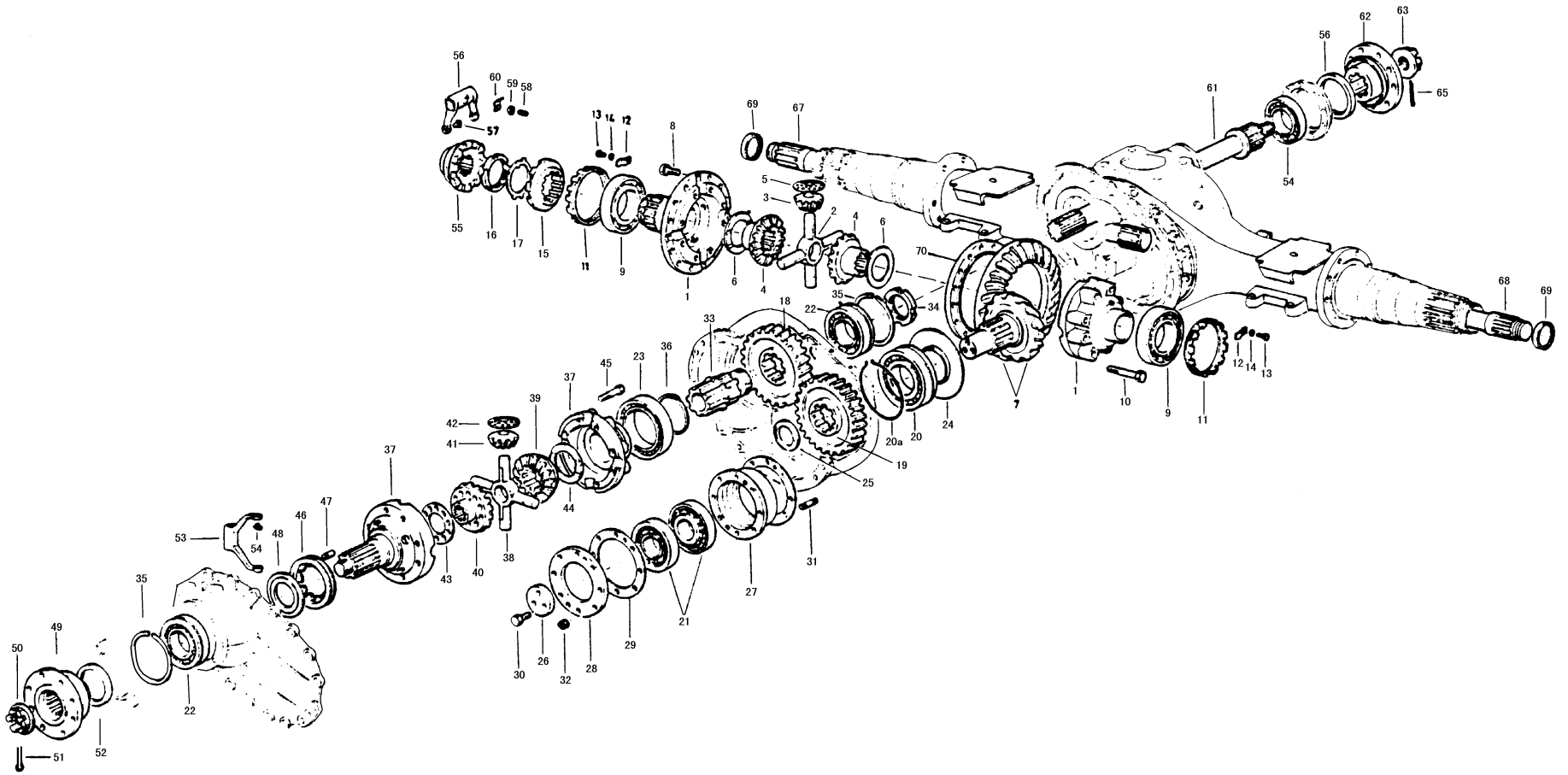
Nb	Number of part	Quantity	Description	Applicability	Designation	名称	Remark
3a	WG9114320003	2			Locking sheet	从动锥齿轮锁片	
4	Q151B1480TF2	8			Screw	六角头螺栓	
5	179000320013	1			Nut	凸缘螺母	
6	199012320110	1			Φ165 plane flange	凸缘总成 Φ165	
6	AZ9112320110	1			Φ165 Toothed flange	Φ165 星齿凸缘总成	
6	179000320010	1			Φ150 plane flange	Φ150 凸缘总成	
6	AZ9128320014	1			Φ180 Toothed flange	Φ180 星齿凸缘总成	
6	199014320261	1			Φ180 plane flange	Φ180 凸缘总成	
7	1880 320002	nB			Shim	调整垫片	
7	1880 320003	nB			Shim	调整垫片	
7	1880 320004	nB			Shim	调整垫片	
7	1880 320005	nB			Shim	调整垫片	
7	1880 320006	nB			Shim	调整垫片	
7	1880 320007	nB			Shim	调整垫片	
7	1880 320008	nB			Shim	调整垫片	
7	1880 320009	nB			Shim	调整垫片	
7	1880 320010	nB			Shim	调整垫片	
7	1880 320011	nB			Shim	调整垫片	
7	1880 320012	nB			Shim	调整垫片	
7	1880 320013	nB			Shim	调整垫片	
7	1880 320014	nB			Shim	调整垫片	
7	1880 320015	nB			Shim	调整垫片	
8	11800 320012	nB			Shim	调整垫片	
8	199012320129	nB			Shim	调整垫片	
8	11800 320131	nB			Shim	调整垫片	
8	11800 320132	nB			Shim	调整垫片	



Nb	Number of part	Quantity	Description	Applicability	Designation	名称	Remark
8	13809320169	nB			Shim	调整垫片	
9	199012320009	2			Bevel pinion	半轴齿轮	
10	199012320010	4			Bevel pinion	行星齿轮	
11	199014320091	1			Diff. spider	差速器十字轴	
12	13809320159	2			Screwed ring	差速器轴承调整螺母	
13	179000320027	2			Safety clip	止动片	
14	13809320155	1			Shifting dog	固定啮合套	
15	13809320158	1			Locking sheet	锁止垫片	
16	Q5005055	1			Split pin	开口销	
17	190003326236	1			Roller bearing	圆锥滚子轴承 30312GB/T297- 94	
18	AZ9112320030	1			Gasket	轴密封圈 SD85x 105x 8	
18a	AZ9112320184	1			Gasket	轴密封圈 SS85x 105x 8	
19	190003326547	1			Roller bearing	圆锥滚子轴承 32315GB/T297- 94	
19	190003326546	1			Roller bearing	圆锥滚子轴承 32316GB/T297- 94	
20	199012320150	4			Intermed. sheet	行星齿轮垫片	
21	190003326148	2			Roller bearing	圆锥滚子轴承 32216GB/T297- 94	
22	Q150B0816	2			Screw	六角头螺栓	
23	Q40308	2			Spring washer	弹簧垫圈	
24	13809320157	1			Nut	园螺母	
25	199012320014	1			Shifting fork	拨叉	
26	11800320077	2			Tappet	拨叉活动块	
27	Q2800825	1			Grub screw	开槽锥端紧定螺钉	
28	Q340B08	1			Nut	1型六角螺母	
29	199012320023	1			Lashing	弯板	
30	13809320156	1			Gear shift sleeve	滑动啮合套	
31	199012340023	1			Drive shaft (left)	半轴 左	

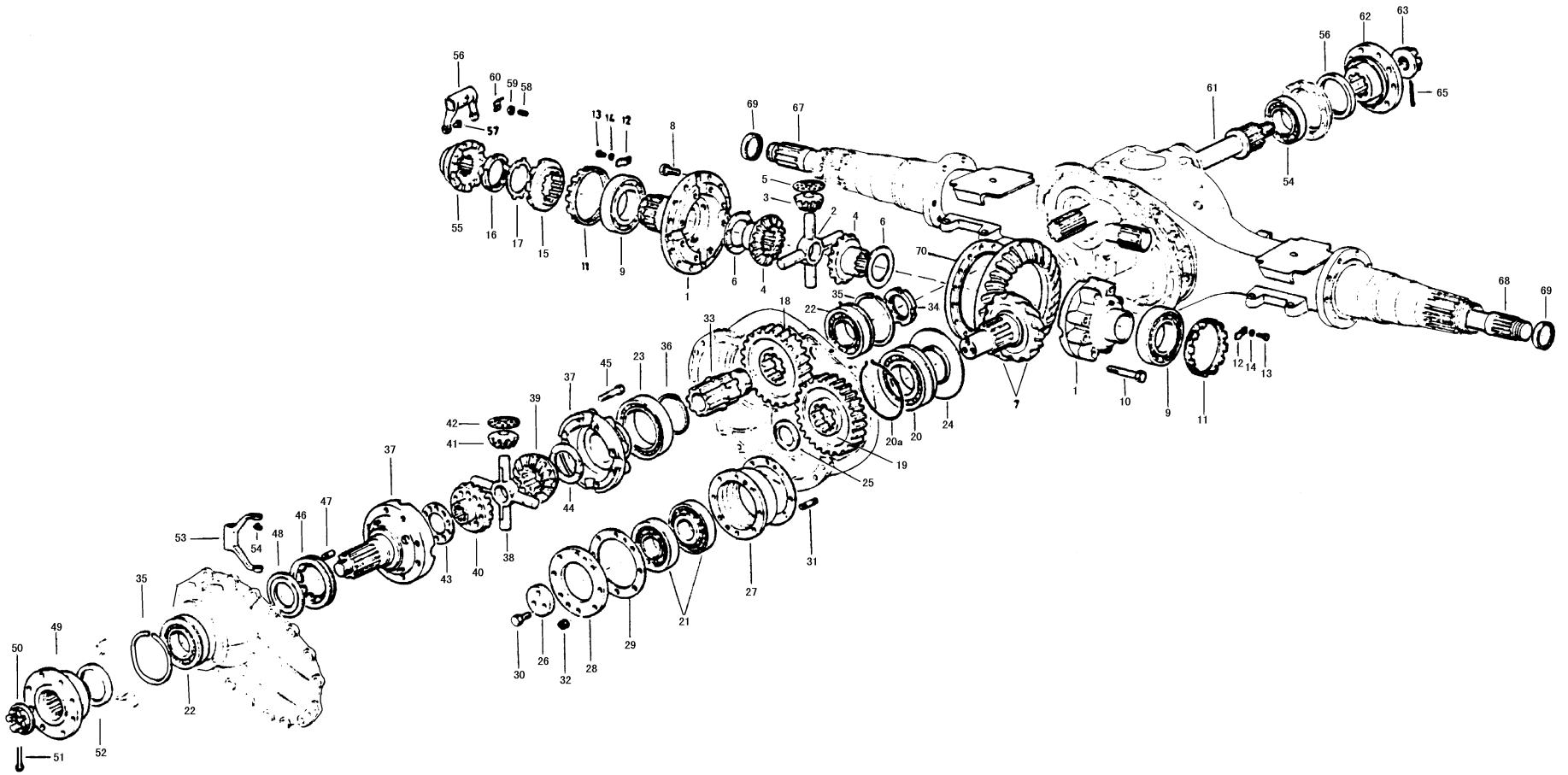


Nb	Number of part	Quantity	Description	Applicability	Designation	名称	Remark
32	199012340024	2			Drive shaf( right)	半轴 右	
33	190003074340	2			Gasket	轴密封圈	
34	199012320121	1		i= 4.42, 4.8	Ring	环	

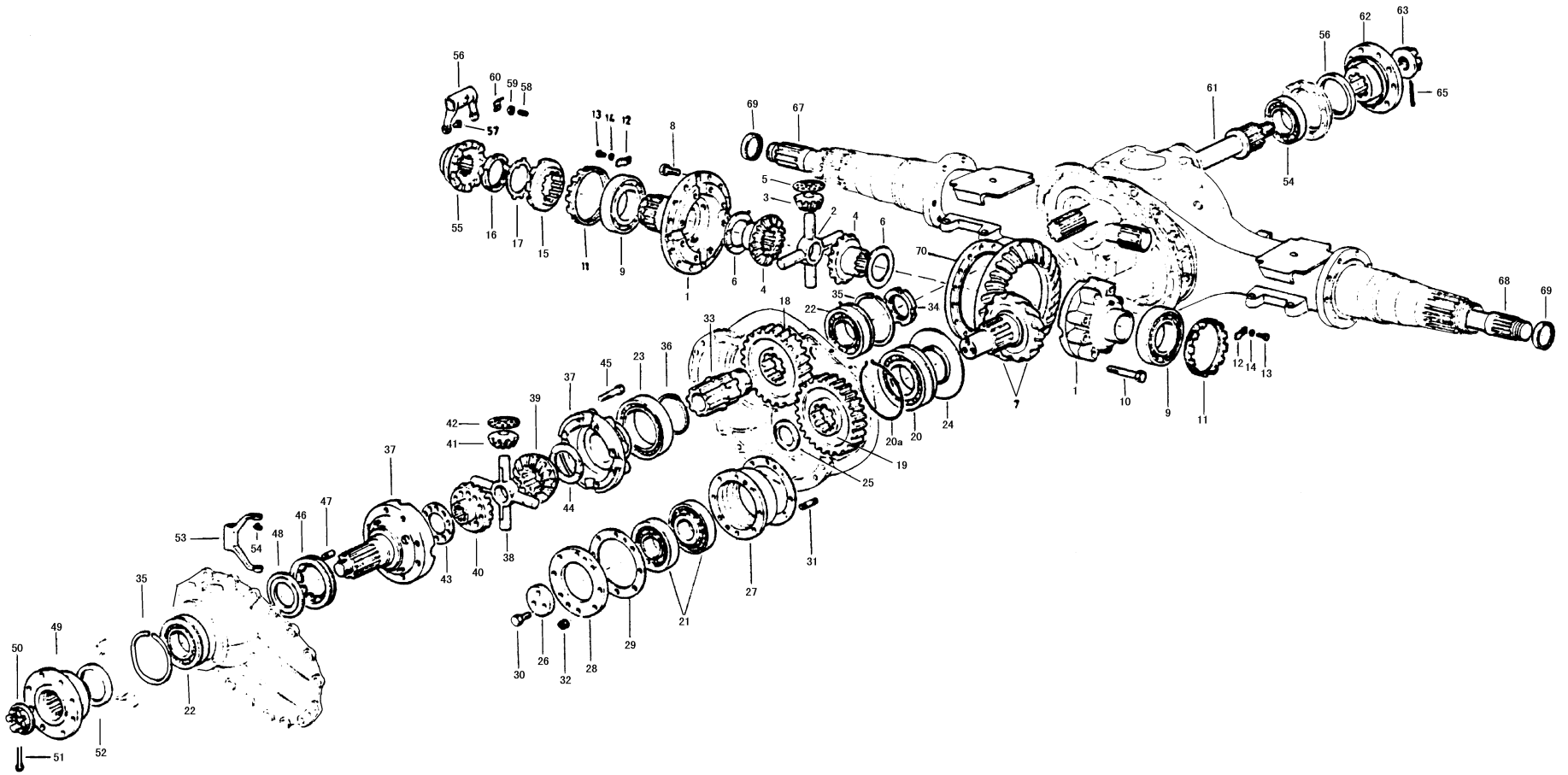




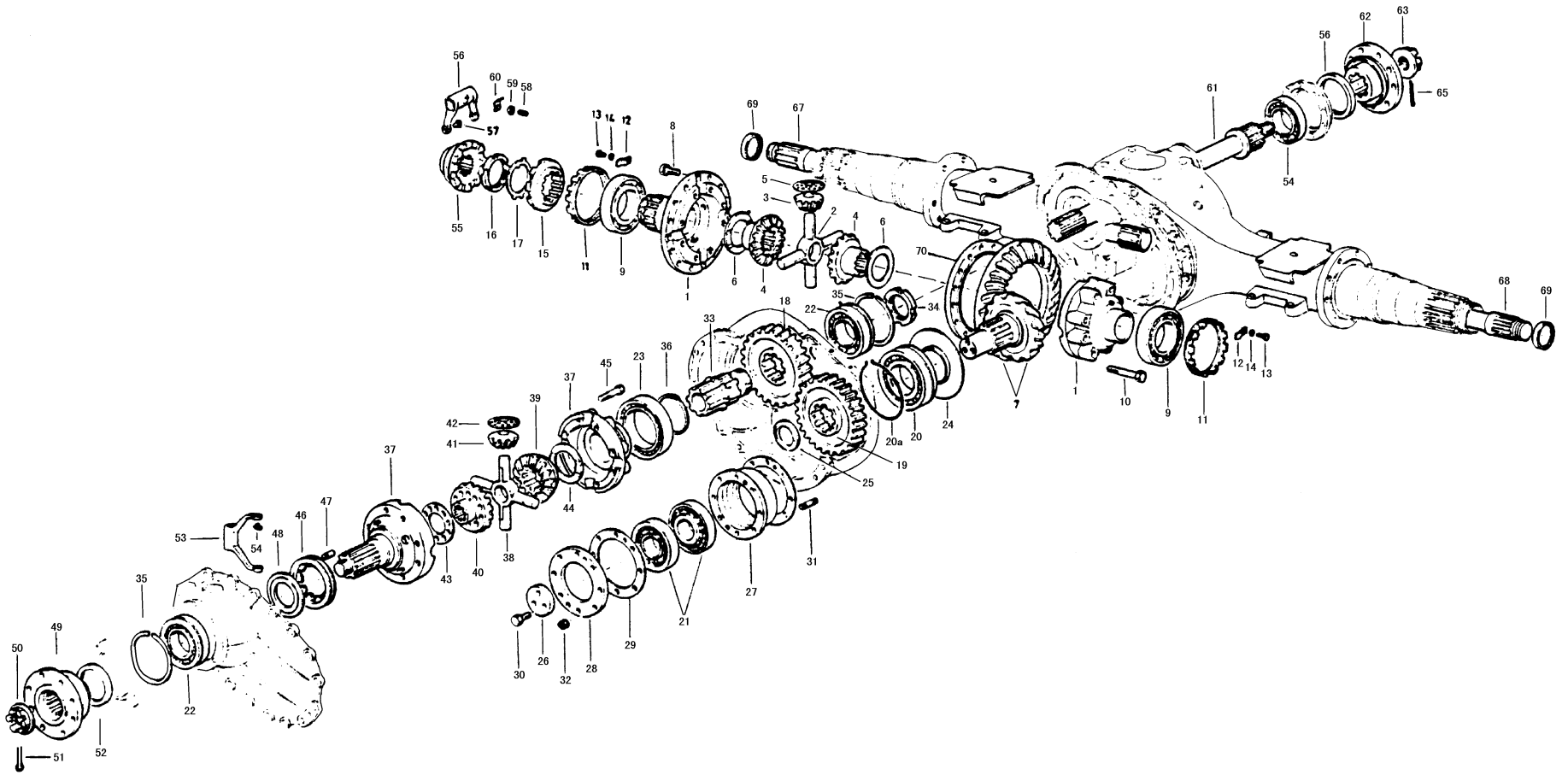
Nb	Number of part	Quantity	Description	Applicability	Designation	名称	Remark
0	199114320004	1	i= 4.42, Φ165PF		First Rear axle drive	中桥中段	
0	AZ9231320004	1	i= 4.42, Φ165TF		First Rear axle drive	中桥中段	
0	199114320003	1	i= 4.42, Φ180PF		First Rear axle drive	中桥中段	
0	AZ9231320003	1	i= 4.42, Φ180TF		First Rear axle drive	中桥中段	
0	199014320219	1	i= 4.8, Φ165PF		First Rear axle drive	中桥中段	
0	AZ9114320231	1	i= 4.8, Φ165TF		First Rear axle drive	中桥中段	
0	AZ9114322010	1	i= 4.8, Φ180TF		First Rear axle drive	中桥中段	
0	AZ9114320214	1	i= 5.73, Φ165PF		First Rear axle drive	中桥中段	
0	AZ9114320264	1	i= 5.73, Φ165TF		First Rear axle drive	中桥中段	
0	AZ9114320226	1	i= 5.73, Φ180PF		First Rear axle drive	中桥中段	
0	AZ9631320211	1	i= 5.73, Φ180TF		First Rear axle drive	中桥中段	
0	AZ9114320215	1	i= 6.72, Φ165PF		First Rear axle drive	中桥中段	
0	AZ9231320215	1	i= 6.72, Φ165TF		First Rear axle drive	中桥中段	
0	199014320265	1	i= 6.72, Φ180PF		First Rear axle drive	中桥中段	
0	AZ9231320216	1	i= 6.72, Φ180TF		First Rear axle drive	后桥中段	
0	AZ9114320017	1	i= 9.49, Φ165PF		First Rear axle drive	后桥中段	
1	199014320165	1			Diff. housing	差速器壳	
2	199014320091	1			Diff. spider	差速器十字轴	
3	199012320010	4			Bevel pinion	行星齿轮	
4	199012320009	2			Bevel pinion	半轴齿轮	
5	199012320150	4			Intermed. sheet	行星齿轮垫片	
6	11800320012	nB			shim	调整垫片	
6	199012320129	nB			shim	调整垫片	
6	11800320131	nB			shim	调整垫片	



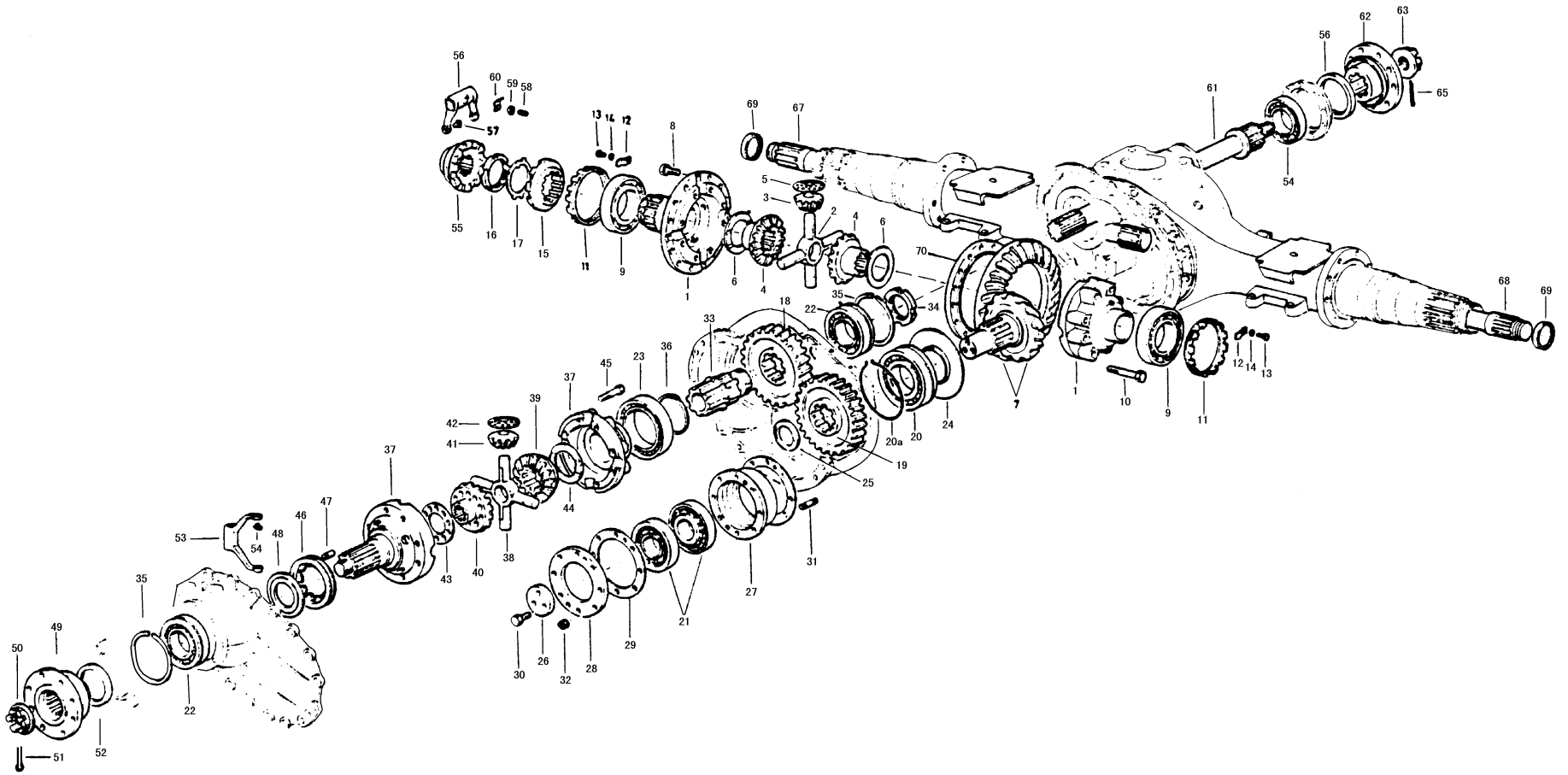
Nb	Number of part	Quantity	Description	Applicability	Designation	名称	Remark
6	11800320132	nB			shim	调整垫片	
6	13809320169	nB			shim	调整垫片	
7	AZ9004320251	1	i= 4.42/4.8/5.73		Pinion and crown wheel	锥齿轮付 28/17	
7	199014320250	1	i= 6.72		Pinion and crown wheel	锥齿轮付 29/15	
7	199014320253	1	i= 7.49		Pinion and crown wheel	锥齿轮付 28/13	
7	199014320255	1	i= 9.49		Pinion and crown wheel	锥齿轮付 30/11	
8	Q151B1635TF2	16			Screw	六角头螺栓- Q151B1635TF2	
8a	WG9004320003	1			Locking sheet	从动锥齿轮螺栓锁片	
9	190003326148	2			Roller bearing	圆锥滚子轴承 32216GB/T297-94	
10	Q151B1480TF2	8			Screw	六角头螺栓- Q151B1480TF2	
11	13809320159	2			Screwed ring	差速器轴承调整螺母	
12	179000320027	2			Safety clip	止动片	
13	Q150B0816	2			Screw	六角头螺栓	
14	Q40308	2			Spring washer	弹簧垫圈	
15	13809320155	1			Shifting dog	固定啮合套	
16	13809320157	1			Nut	圆螺母	
17	13809320158	1			Locking sheet	锁止垫片	
18	199114320002	1	i= 4.42		Drive gear	主动圆柱齿轮 z= 35	
18	199014320209	1	i= 4.8		Drive gear	主动圆柱齿轮 z= 31	
18	199014320136	1	i≥ 5.73		Drive gear	主动圆柱齿轮 z= 35	
19	199114320001	1	i= 4.42		Driven gear	从动圆柱齿轮 z= 27	
19	199014320208	1	i= 4.8		Driven gear	从动圆柱齿轮 z= 26	
19	199014320137	1	i≥ 5.73		Driven gear	从动圆柱齿轮 z= 35	
20	WG9014320257	1			Roller bearing	滚柱轴承	
20a	199014320256	1			Snap ring	钢丝档圈	
21	190003326333	2			Roller bearing	圆锥滚子轴承 31311 GB/T297-94	



Nb	Number of part	Quantity	Description	Applicability	Designation	名称	Remark
22	190003311543	2			Ball bearing	有止动槽的向心球轴承 6312N	
23	190003310239	1			Ball bearing	带防尘盖深沟球轴承 6019- Z	
24	199014320174	1			Plate	挡油片	
25	199014320140	1			Ring	隔圈	
26	1780 320088	1			Plate	轴承压板	
26a	AZ9114320002	1			Locking sheet	防松锁片- 轴承压板紧固螺栓	
27	199014320129	1			Bearing bush	轴承座	
28	199014320128	1			Plate	轴承外环压板	
29	199014320131	nB			Shim	调整垫片	
29	199014320132	nB			Shim	调整垫片	
29	199014320133	nB			Shim	调整垫片	
29	199014320134	nB			Shim	调整垫片	
30	Q150B 1430TF2	3			Screw	六角头螺栓	
31	190003813543	8			Screw	双头螺栓	
32	Q33210	8			Nut	2 型全金属六角锁紧螺母	
33	199014320135	1			Hollow shaft	空心轴	
34	199012250031	1			Nut	开槽圆螺母	
35	190003935383	2			Snap ring	轴用压扁钢丝挡圈- Q433130	
36	190003933580	1			Circlip	轴用弹性挡圈	
37	199014320166	1			Dift. housing	差速器壳	
38	199014320091	1			Dift. spider	差速器十字轴	
39	199014320059	1			Bevel pinion( rear)	半轴齿轮( 后)	
40	199114320032	1			Bevel pinion( fron)	半轴齿轮( 前)	
41	199012320010	4			Bevel pinion	行星齿轮	
42	199012320150	4			Intermed. washer	行星齿轮垫片	
43	199014320067	nB			Shim for drive shaft gear	半轴齿轮( 前) 垫片	

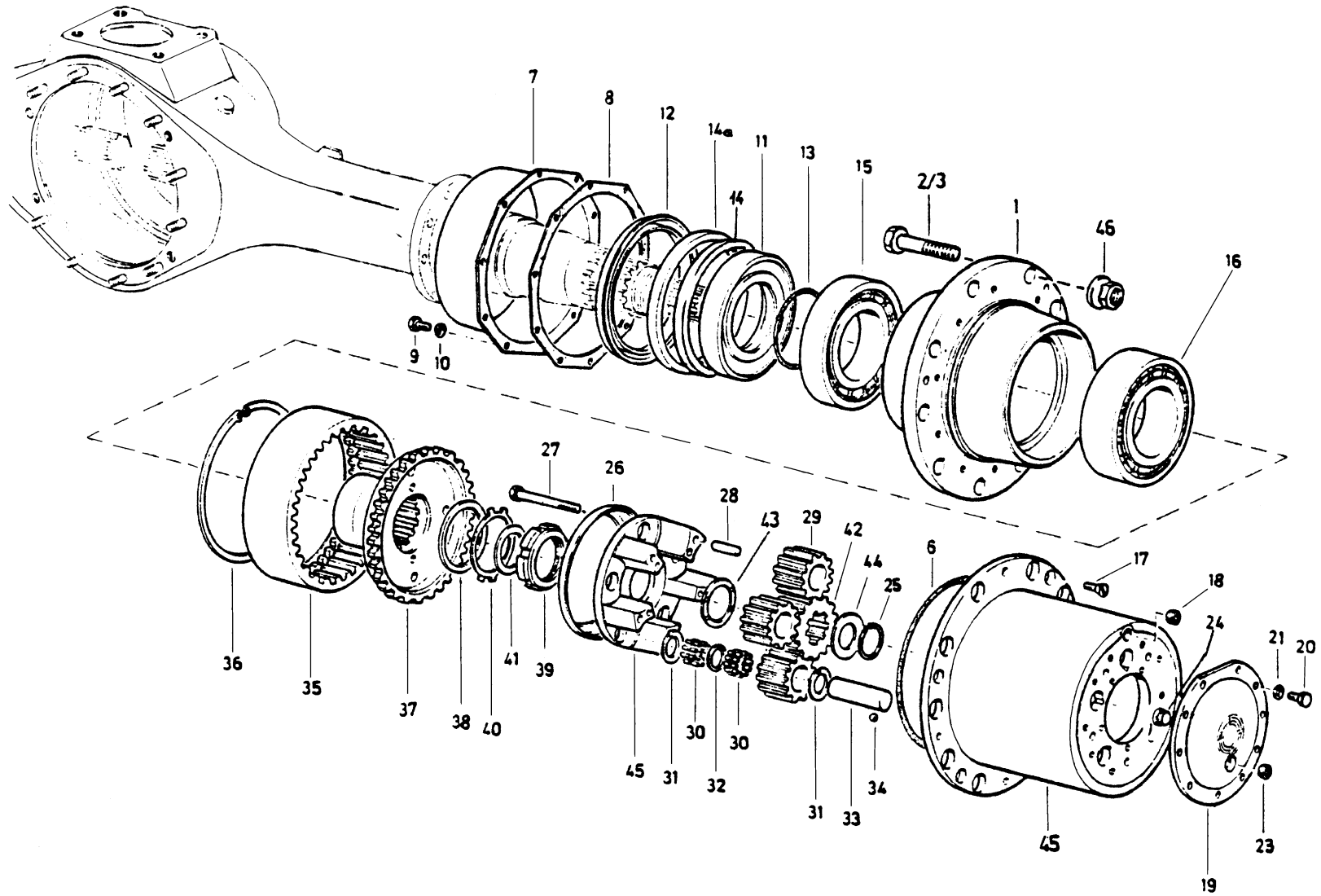


No	Number of part	Quantity	Description	Applicability	Designation	名称	Remark
43	199014320068	nB			Front shim for drive shaft gear	半轴齿轴(前)垫片	
43	199014320211	nB			Front shim for drive shaft gear	半轴齿轴(前)垫片	
43	199014320069	nB			Front shim for drive shaft gear	半轴齿轴(前)垫片	
43	199014320070	nB			Front shim for drive shaft gear	半轴齿轴(前)垫片	
44	199014320071	nB			Rear shim for drive shaft gear	半轴齿轴(后)垫片	
44	199014320072	nB			Rear shim for drive shaft gear	半轴齿轴(后)垫片	
44	199014320210	nB			Rear shim for drive shaft gear	半轴齿轴(后)垫片	
44	199014320073	nB			Rear shim for drive shaft gear	半轴齿轴(后)垫片	
44	199014320074	nB			Rear shim for drive shaft gear	半轴齿轴(后)垫片	
45	Q151B1480TF2	8			Screw	六角头螺栓	
46	1228 320105	1			Locking ring	差速锁锁环	
47	1228 320106	10			Pin	差速锁销	
48	199014320061	1			Washer for diff. housing	轴间差速器壳垫片	
49	AZ9114320205	1			Φ165 Toothed flange	Φ165 端面齿法兰	Option
49	199012320110	1			Φ165 Plane flange	凸缘总成 Φ165	Option
49	AZ9128320014	1			Φ180 Toothed flange	Φ180 端面齿法兰	Option
49	190014320261	1			Φ180 Plane flange	Φ180 法兰	Option
50	179000320013	1			Nut	凸缘螺母	
51	Q5005055	1			Split pin	开口销	
52	190003078722	1			Gasket	轴密封圈	
52	190003070026	1			Gasket	轴密封圈	
53	199014320053	1			Shifting fork	拨叉	
54	11800320077	2			Tappet	拨叉活动块	
55	13809320156	1			Gear shifting sleeve	滑动啮合套	
56	199012320014	1			Shifting fork	拨叉	
57	11800320077	2			Tappet	拨叉活动块	

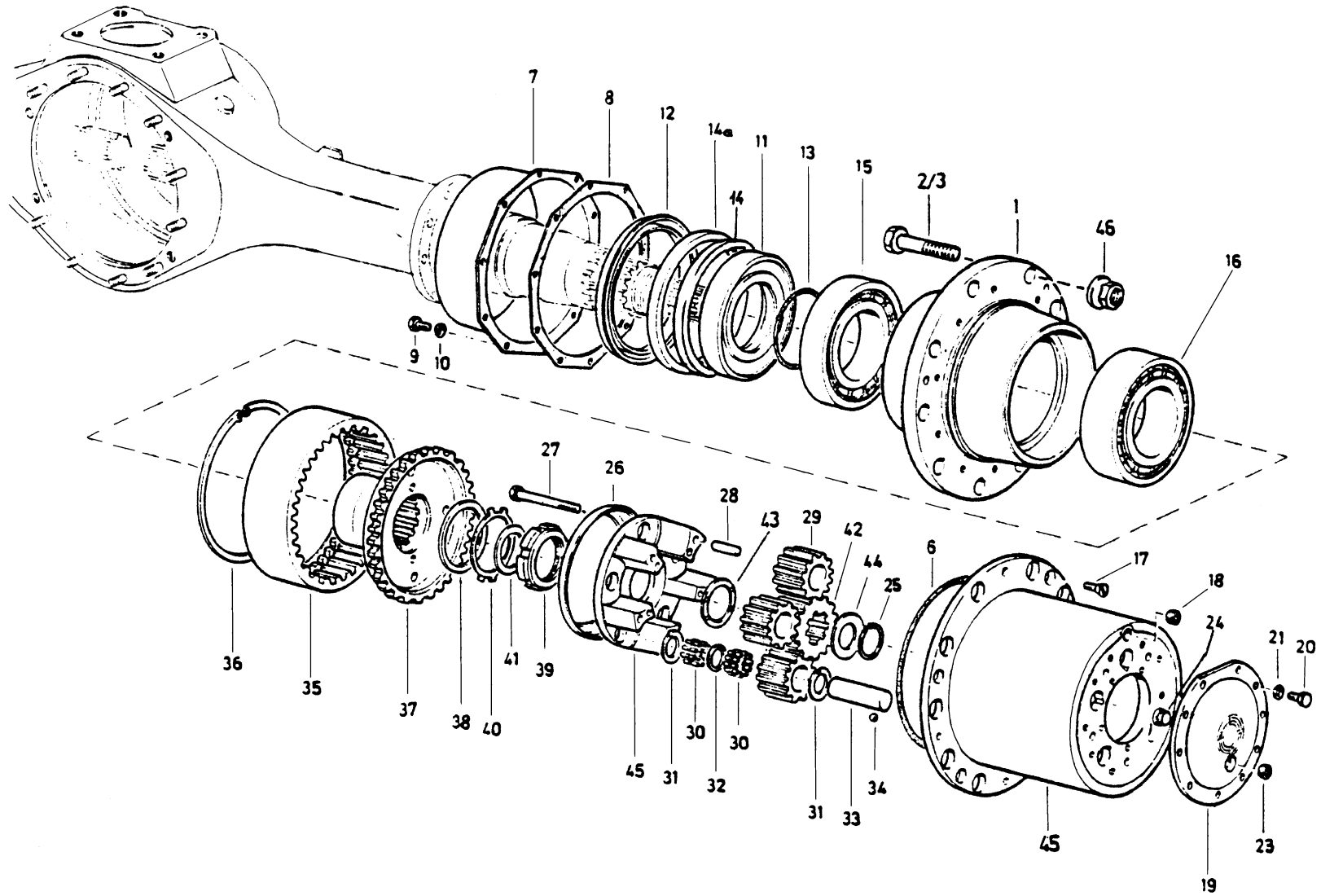




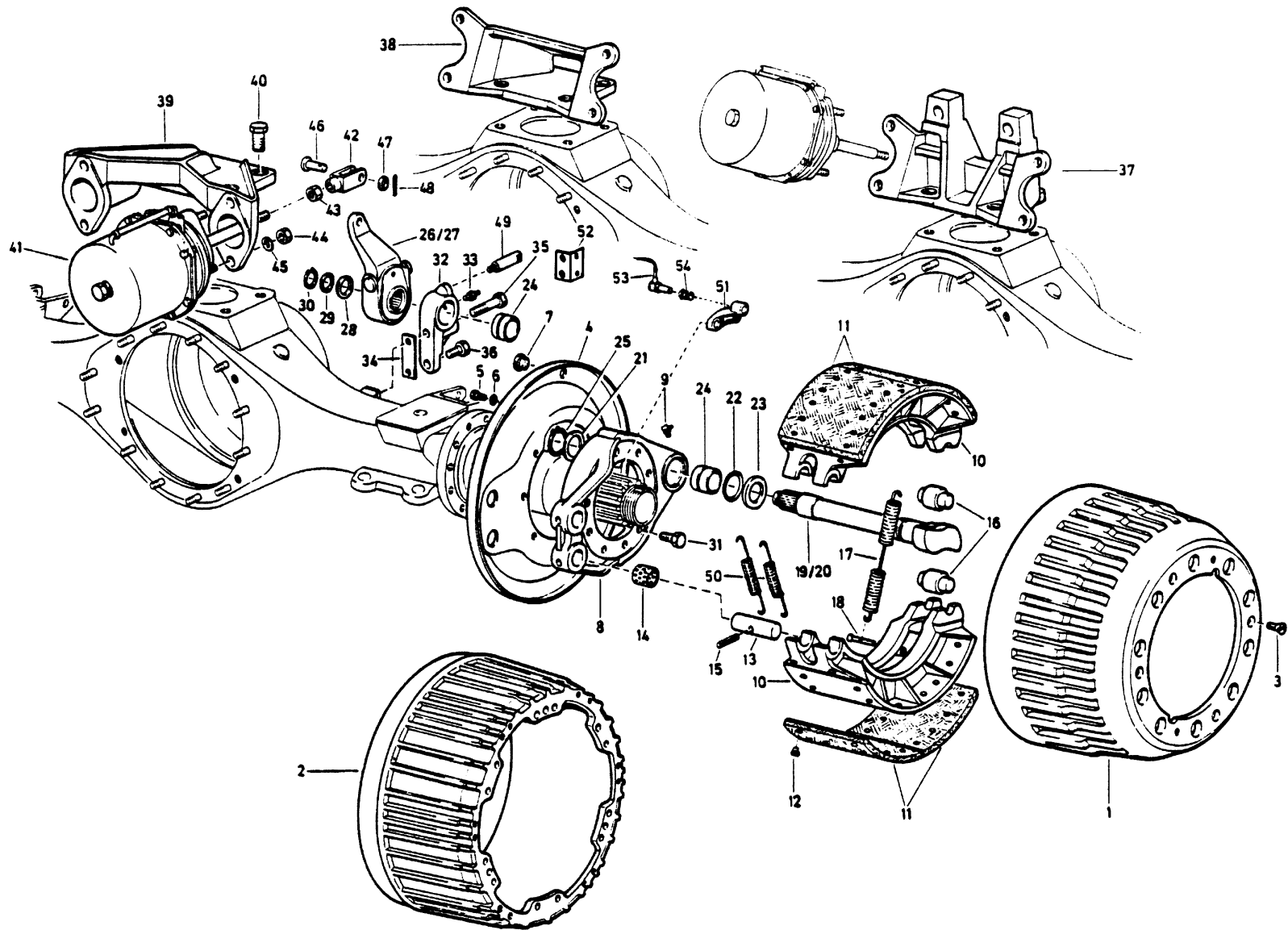
Nb	Number of part	Quantity	Description	Applicability	Designation	名称	Remark
58	Q2800825	1			Screw	开槽锥端紧定螺钉	
59	Q340B08	1			Nut	1 型六角螺母	
60	199012320023	1			Lashing	弯板	
61	199114320031	1			Driving shaft	贯通轴	
62	199014320205	1			Φ165 Flame flange	凸缘总成	
62	AZ9114320205	1		Option	Φ165 Toothed flange	凸缘总成	
63	179000320013	1			Nut	凸缘螺母	
64	190003311036	1			Ball bearing	深沟球轴承 6212 GB/T276- 94	
65	Q5005055	1			Split pin	开口销	
66	190003078772	1			Gasket	轴密封圈	
67	199012340023	1		for WT1800	Drive shaf( left)	半轴(左)	
67	AZ9231340223	1		for WT1850	Drive shaf( left)	半轴	
68	199012340024	2		for WT1800	Drive shaf( right)	半轴(右)	
68	AZ9231340224	1		for WT1850	Drive shaf( right)	半轴	
69	190003074340	2			Gasket	轴密封圈	
70	199014320153	1		i= 7.49, 8.4	Ring	环	



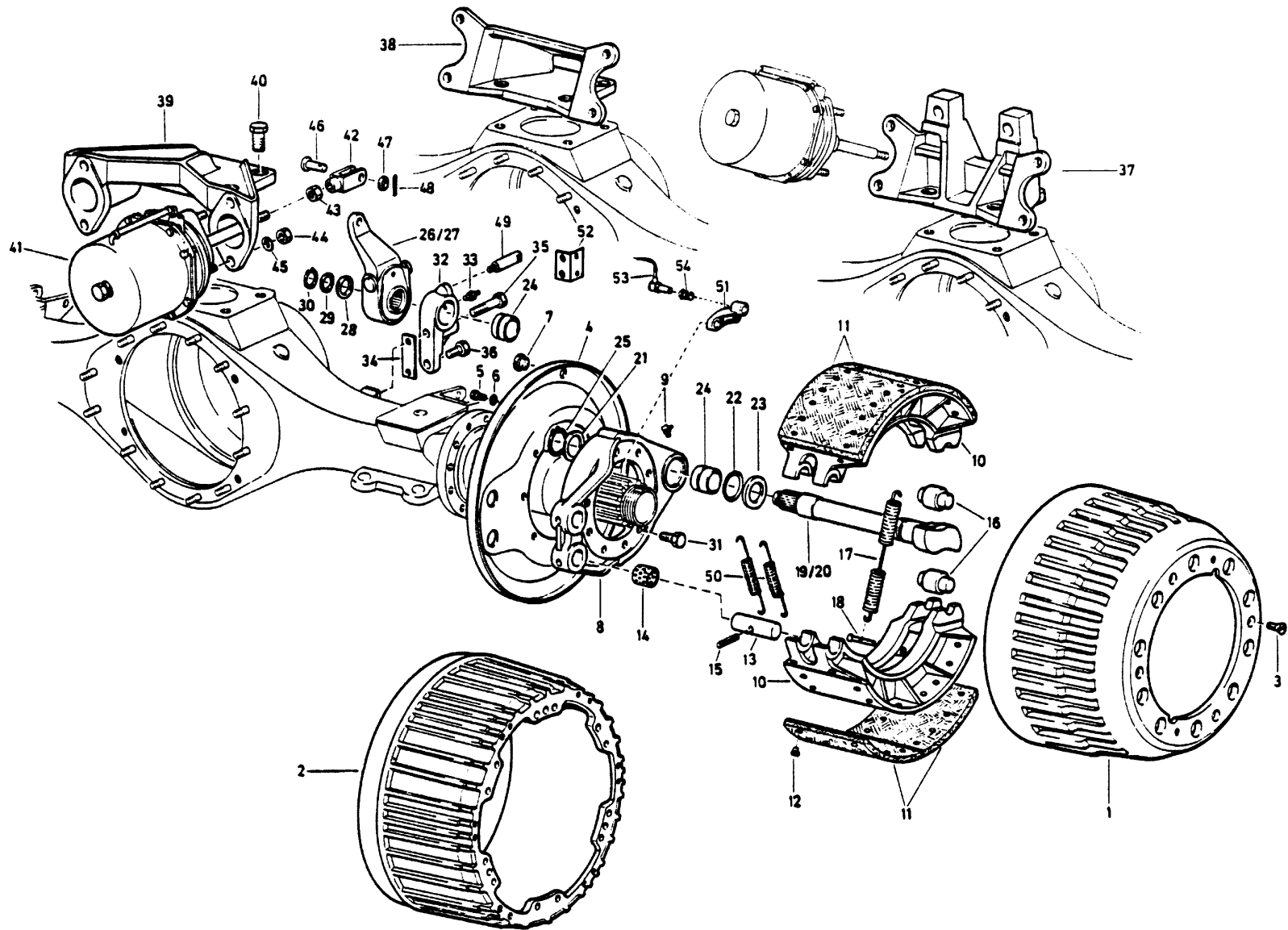
Nb	Number of part	Quantity	Description	Applicability	Designation	名称	Remark
0	199012340082	2			Rear wheel hub C	后轮毂总成	
0	199112340011	2			Rear wheel hub C	后轮毂总成	for ABS
1	199112340009	2			Rear wheel hub	后轮毂	for ABS
1a	WG9112340008	2			Gear	凸缘转轮	for ABS
1	199012340068	2			Rear wheel hub	后轮毂	
2	AZ9112340123	10			Wheet bolt	车轮螺栓(后)	
3	AZ9112340123	10			Wheet bolt	车轮螺栓(后)	
6	199012340029	2			Gasket	密封圈	
7	199012340021	2			Oil drip pan	挡油罩	
8	WG9012340020	2			Gasket	密封垫片	
9	Q150B0816	20			Screw	六角头螺栓	
10	Q40308	20			Spring washer	弹簧垫圈	
11	199012340019	2			Spacer ring	隔圈总成	
12	199012340018	2			Oil drip pan	挡油盘	
13	199012340027	2			Gasket	密封圈	
14	WG9112340113	2			Gasket	轴密封圈	
14a	WG9112340114	2			Gasket	轴密封圈	
15	190003326067	2			Roller bearing	圆锥滚子轴承 30222 GB/T297- 94	
16	190003326167	2			Roller bearing	圆锥滚子轴承 32222 GB/T297- 94	
17	Q2541025	2			Screw	十字槽盘头螺钉- Q2541025	
18	190003961309	2			Screw	圆柱内六角螺塞- M22x 1.5	
19	199112340001	2			Cover	端盖	
20	Q150B1020Q	20			Screw	六角头螺栓- Q150B1020 全螺纹	
21	Q40310	20			Spring washer	弹簧垫圈- Q40310	
23	190003098026	2			Gasket	密封垫圈	
24	199012340011	2			Bolt	端盖顶销	



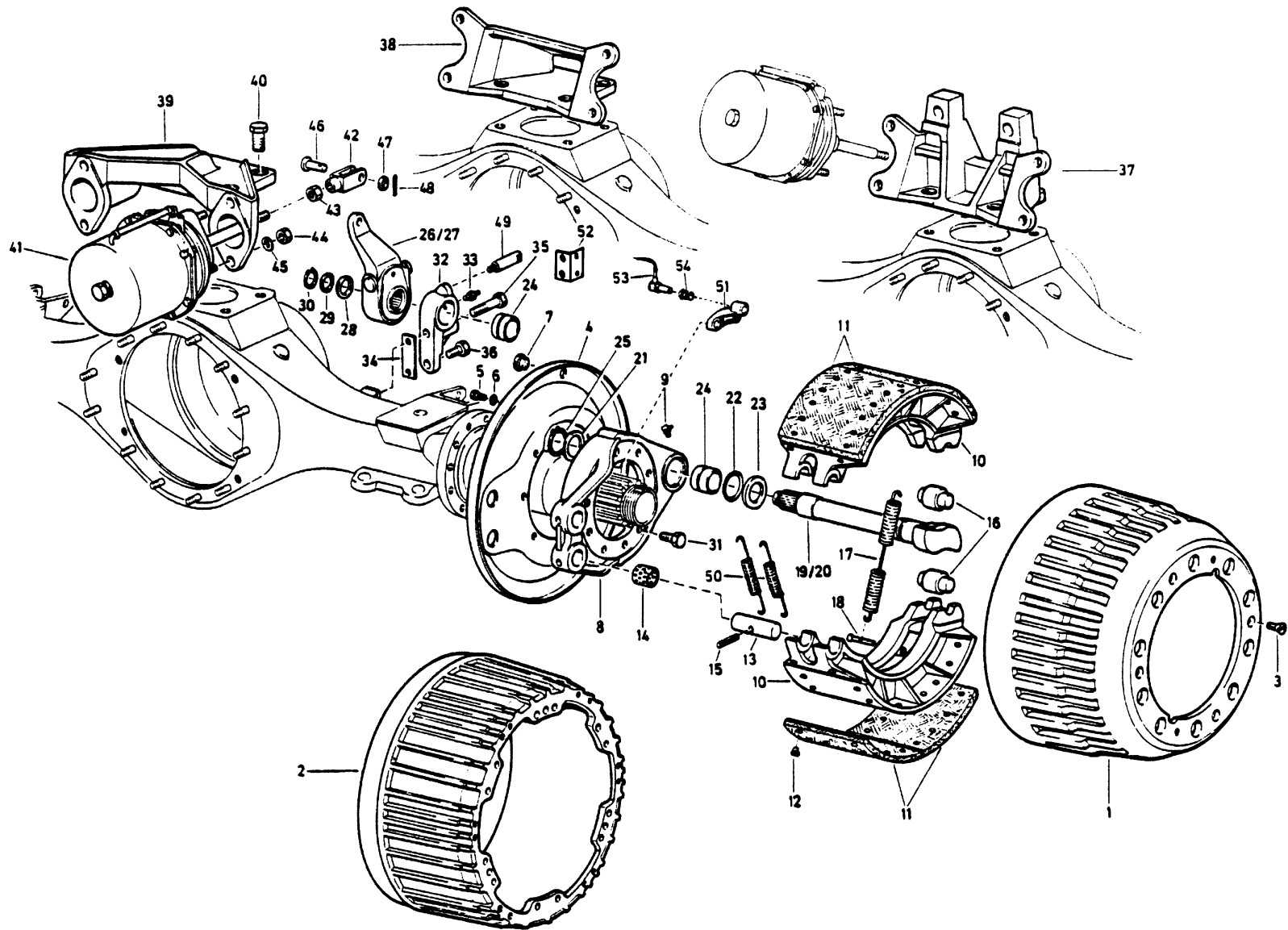
Nb	Number of part	Quantity	Description	Applicability	Designation	名称	Remark
25	190003933351	2			Cirdip	轴用弹性挡圈	
26	1880 420027	2			Oil drip pan	行星架挡油盘	
27	Q151C1295TF2	10			Screw	六角头螺栓	
28	190003901704	10			Cyl. pin	圆柱销	
29	199012340122	10			Bevel pinion	行星轮 Z= 16	
30	WG99- 934- 013	20			Needle	滚针轴承供货图	
31	199012340075	20			Washer	行星轮垫片	
32	199012340077	10			Washer	垫圈	
33	199012340004	10			Bolt	行星轮轴	
34	190003330148	10			Bolt	钢球- 8. 0000 G200b- GB308	
35	199012340121	2			Intermed. ring gear	内齿圈 Z= 57	
36	WG1880420014	2			Snap ring	轴用挡圈	
37	199112340021	2			Support for intermed. ring gear	齿圈支架总成	
38	1880 420034	2			Ring	止推垫环	
39	1680 340013	2			Nut	圆螺母(右)	
40	1680 340015	2			Securing sheet	止推垫圈	
41	1680 340016	nB			Shim	调整垫片(厚 0. 1)	
41	1680 340187	nB			Shim	调整垫片(厚 0. 15)	
41	1680 340017	nB			Shim	调整垫片(厚 0. 2)	
41	1680 340018	nB			Shim	调整垫片(厚 1. 0)	
41	1680 340019	nB			Shim	调整垫片(厚 1. 5)	
42	199012340005	2			Helical gear	太阳轮 Z= 23	
43	199012340076	2			Stop washer	太阳轮垫圈	
44	1880 410097	2			Washer	垫圈	
45	199112340029	2			Planetary carrier	行星架总成	
46	WG9003884160	20			Nut	车轮螺母	



Nb	Number of part	Quantity	Description	Applicability	Designation	名称	Remark
1	AZ9112340006	2			Brake drum	制动鼓	
3	190003825513	4			Screw	十字槽盘头螺钉	
4	1880 34 0018	2			Brake cover	制动器防尘罩	
4	199112340012	2		for ABS	Brake cover	制动器防尘罩	
5	Q150B0816	12			Screw	六角头螺栓	
6	Q40308	12			Spring washer	弹簧垫圈	
7	1880 340037	16			Seal- ring	密封圈	
8	199000340062	2			Brake anchor	制动底板	
8a	AZ9112340010	2		for ABS	ABS/ Sensor bellows	传感器保护套	
8b	AZ9112340056	2		for ABS	ABS Sensor bracket	传感器支架	
9	199000343114	4			Grease nipple	直通滑脂嘴	
-	199000340070	4			Brake shoe C	制动蹄总成	incl.( 10~ 12)
10	199000340061	4			Brake shoe	制动蹄	
11	WG9200340068	8			Brake lining	制动摩擦片	
11a	199112340028	4			Brake lining	制动缓冲衬片	
12	189000340068	64			Rivet	铆钉	
13	199000340064	4			Bolt	轴	
14	1880 34 0016	4			Bearing bush	轴套	
15	190003909661	4			Pin	弹性圆柱销	
16	199000340027	4			Pressure roller	压紧轮	
17	AZ9100340012	2			Spring	回位弹簧	
18	1880 44 0032	4			Bolt	销轴	
19	199112340026	1			Brake camshaft left	制动凸轮轴(左)	
19	AZ9231340226	1		for ABS	Brake camshaft left	制动凸轮轴(左)	
20	199112340027	1			Brake camshaft right	制动凸轮轴(右)	
20	AZ9231340227	1		for ABS	Brake camshaft right	制动凸轮轴(右)	





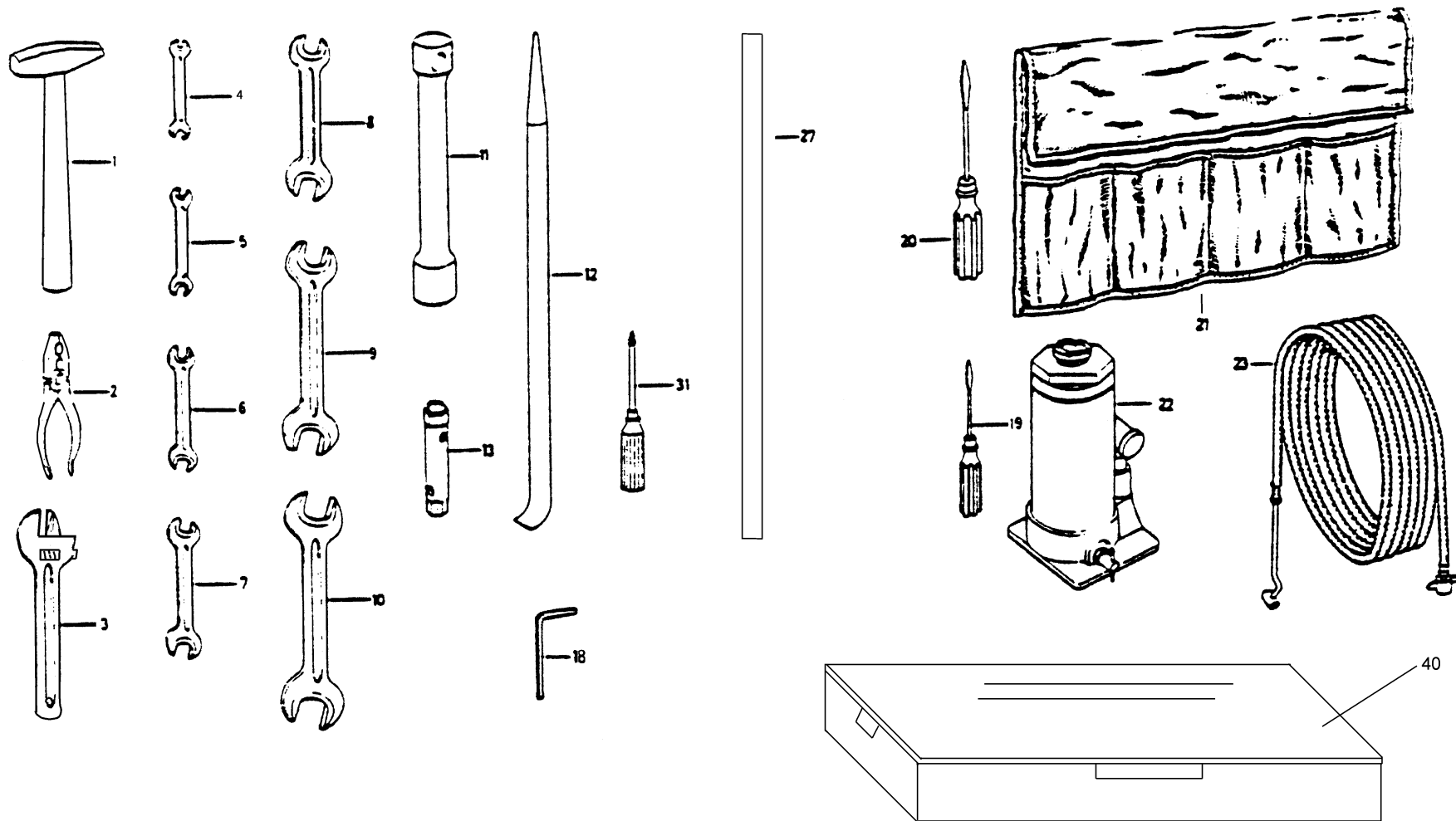


Nb	Number of part	Quantity	Description	Applicability	Designation	名称	Remark
21	1880440010	2			Washer	垫圈	
22	1880340023	2			Gasket	密封圈	
23	1880440010	2			Washer	垫片	
24	WG9100340017	4			Bush	轴套	
25	190003933300	2			Snap ring	轴用弹性挡圈	
26	WG9100340056	1			Rod adjusting device l.	制动臂总成 左	
26	WG9100340061	1			Self rod adjusting device	间隙自动调整臂	Option
26a	AZ9100349992	1			Bracket( left)	支架	for WG9100340061
27	WG9100340057	1			Rod adjusting device r.	制动臂总成 右	
27	WG9100340060	1			Self rod adjusting device	间隙自动调整臂	Option
27a	AZ9100349993	1			Bracket( right)	支架	for WG9100340060
28	1880340022	2			Washer	垫圈	
29	180320028	nB	s= 0.10		Shim	调整垫片	
29	180320029	nB	s= 0.15		Shim	调整垫片	
29	180320030	nB	s= 0.40		Shim	调整垫片	
29	180320046	nB	s= 1.0		Shim	调整垫片	
30	190003933116	2	25x 1, 2 DIN471		Circlip	轴用弹性挡圈	
31	Q151B1635TF2	20			Screw	六角头螺栓	
32	199014340041	2			Bracket	凸轮轴支架	
33	190003963112	2			Grease nipple	直通滑脂嘴	
34	1880340031	nB	s= 0.10		Shim	调整垫片	
34	1880340032	nB	s= 0.15		Shim	调整垫片	
34	1880340033	nB	s= 0.3		Shim	调整垫片	
34	1880340034	nB	s= 0.4		Shim	调整垫片	
34	13809470031	nB	s= 0.5		Shim	调整垫片	
34	13809470032	nB	s= 1.0		Shim	调整垫片	

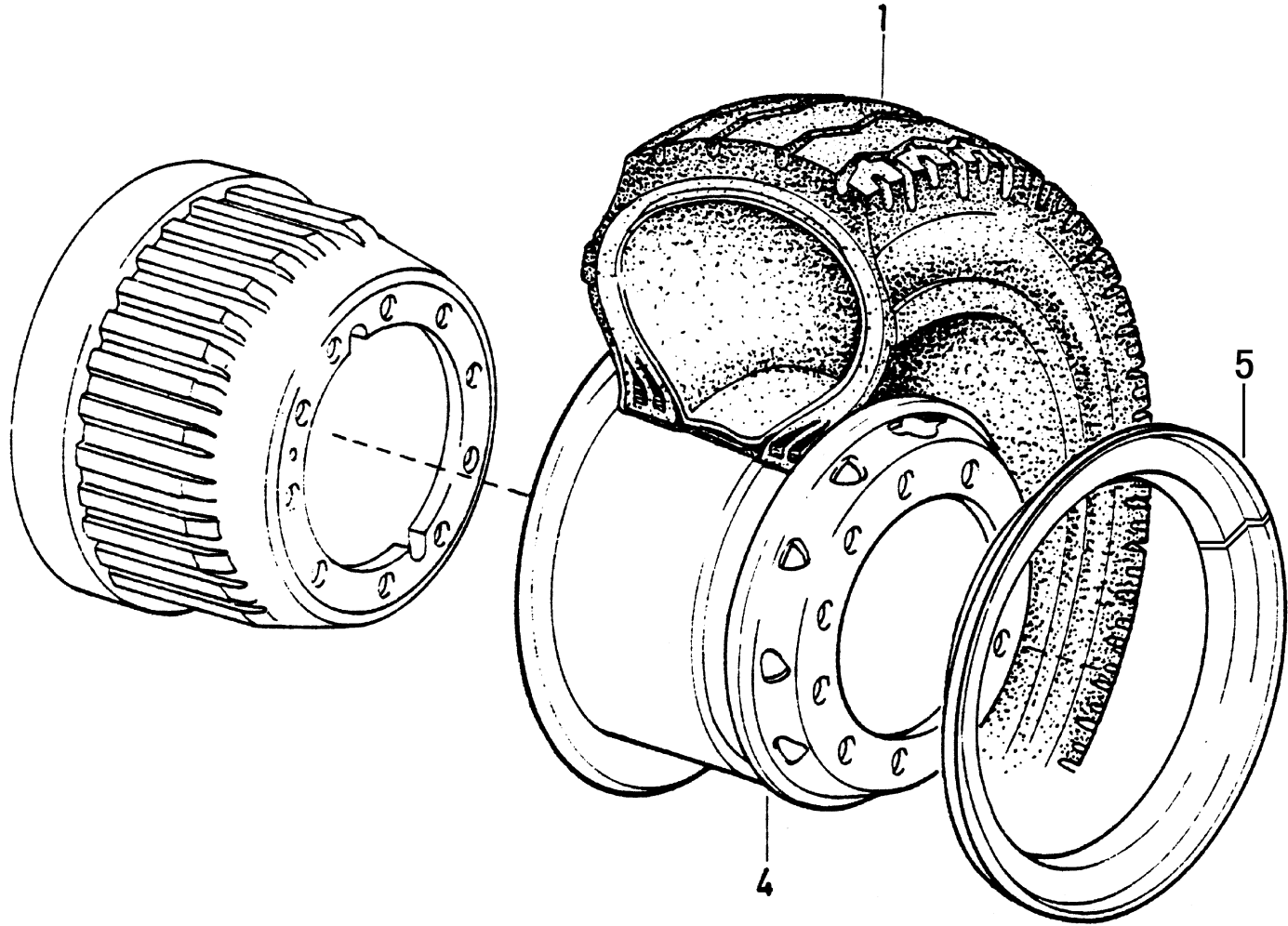
Nb	Number of part	Quantity	Description	Applicability	Designation	名称	Remark
34	13809470033	nB	a= 0.7		Shim	调整垫片	
35	Q151B1490	2			Screw	六角头螺栓	
36	Q151B1440	2			Screw	六角头螺栓	
37	199014340042	1		6x 4, 6x 6, 8x 4	Bracket	制动缸托架	
39	199012340066	1		4x 2, 6x 2	Bracket	制动缸托架	
40	Q151B2040TF2	4			Screw	六角头螺栓	
41	WG9100360303	2			Spring brake cylinder	复合制动缸	
42	190003964459	2			Screwed fork	螺纹叉	
43	Q341B14	2			Nut	六角螺母	
44	Q341B16	4			Nut	六角螺母	
45	Q40316	4			Spring washer	弹簧垫圈	
46	190003903661	2			Bolt	销轴	
47	Q40114	2			Washer	平垫圈	
48	Q5004022	2			Pin	开口销	
49	199014340048	2			Pin	圆柱销	
50	199112340049	2			Spring	拉紧弹簧	



Nb	Number of part	Quantity	Description	Applicability	Designation	名称	Remark
1	AZ9100850003	1			Hammer	手锤	
2	AZ9003580013	1			Combination pliers	鲤鱼钳	
3	AZ9003580012	1	200		Screw spanner	活扳手	
3	AZ9003580011	1	300		Screw spanner	活扳手	
4	AZ9003580016	1	8mm		Spanner	扳手	
4	AZ9003580017	1	10mm		Spanner	扳手	
5	AZ9003580018	1	12mm		Spanner	扳手	
5	AZ9003580019	1	13mm		Spanner	扳手	
6	AZ9003580020	1	14mm		Spanner	扳手	
6	AZ9003580021	1	15mm		Spanner	扳手	
7	AZ9003580022	1	16mm		Spanner	扳手	
7	AZ9003580023	1	17mm		Spanner	扳手	
8	AZ9003580024	1	18mm		Spanner	扳手	
8	AZ9003580025	1	19mm		Spanner	扳手	
9	AZ9003580026	1	21mm		Spanner	扳手	
9	AZ9003580027	1	22mm		Spanner	扳手	
10	AZ9003580028	1	24mm		Spanner	扳手	
10a	AZ9003580029	1	13mm		Spanner	单头呆扳手	
10b	WG9100850013	1	27× 24		Spanner	开口扳手	
11	AZ9100850004	1	55× 100		Box Spanner	套筒扳手	
11a	WG9100850014	1	30× 32		Box Spanner	套筒扳手	
12	WG9100850058	1	Φ25× 590		Rod	轮胎撬棒 I	
12a	WG9100850059	1			Rod	轮胎撬棒 II	
13	WG9100850002	1	27× 24		Box Spanner	螺母套筒	
14	AZ9100850007	1			Spanner for valve of tire	气门扳手	
18	AZ9003850030	1	5mm		Box Spanner	内六角扳手	

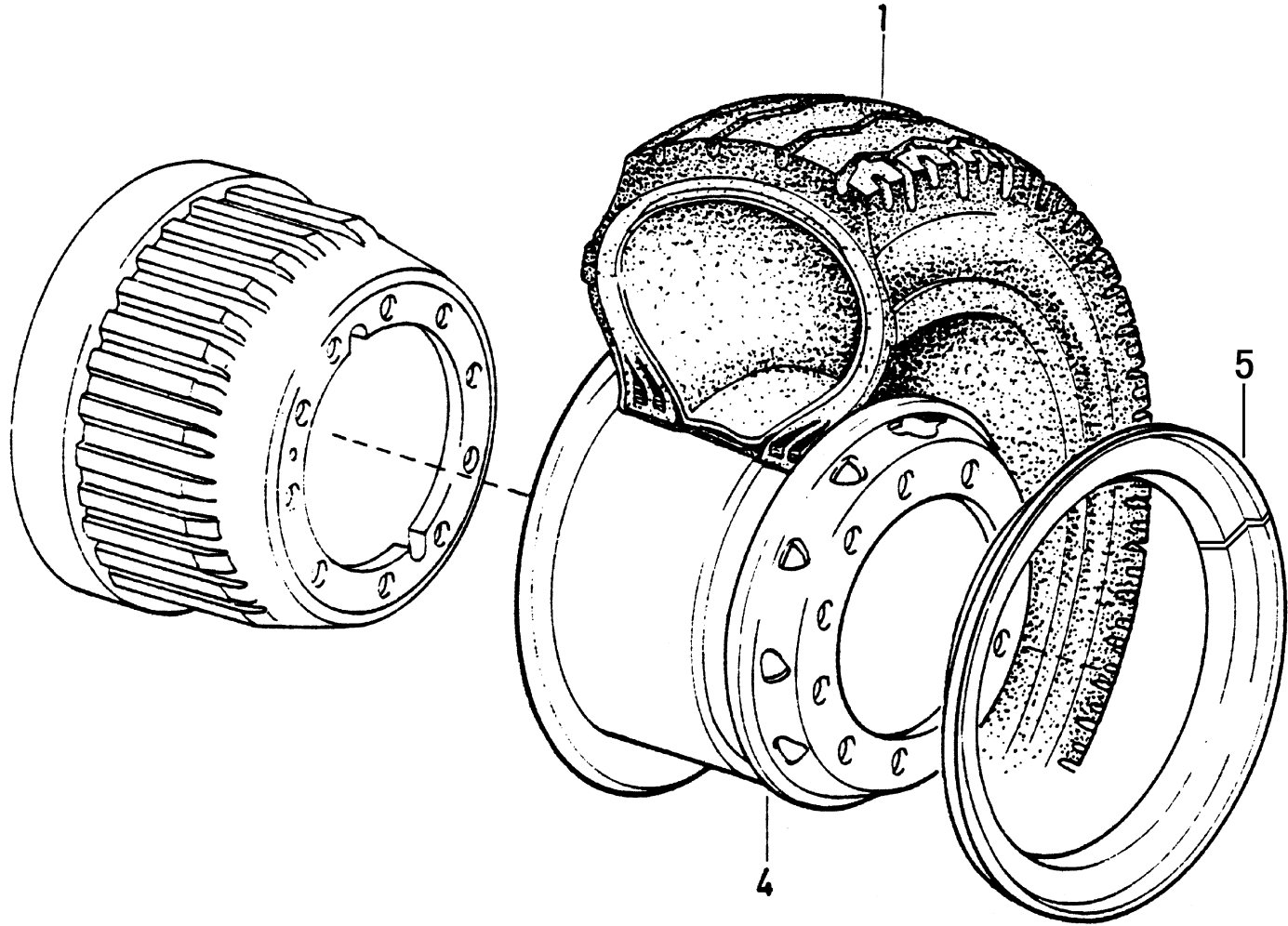


Nb	Number of part	Quantity	Description	Applicability	Designation	名称	Remark
18a	AZ9003580040	1	6mm		Box Spanner	内六角扳手	
18b	WG9100850024	1	7mm		Box Spanner	内六角扳手	
18c	190003589462	1	10mm		Box Spanner	内六角扳手	
18d	190003589475	1	22mm		Box Spanner	内六角扳手	
19	AZ9003580007	1	100× 6		Screw driver	一字螺丝刀	
20	AZ9003580008	1	200× 8		Screw driver	一字螺丝刀	
21	AZ9100850009	1			Tool bag	工具袋	
22	199112860003	1	15t		Wagon jack	千斤顶	
23	1480 860004	1	10m		Tire inflator	充气软管	
27	AZ9100850070	1	Φ22× 530		Rod	千斤顶摇杆	
28	179100860010	1	24V 21W		Lamp	手提式工作灯	
31	AZ9003580009	1	75× 4		Screw spanner	十字螺丝刀	
31a	AZ9003580010	1	150× 6		Screw spanner	十字螺丝刀	
35	AZ9003580014	1	200cm× 3		Lub gun	黄油手枪	
36	AZ9003580015	1	100cm× 3		Gear oil gun	齿轮油枪	
37	AZ9100850005	1	Φ4× 120		Drifter	冲子	
38	AZ9100850006	1	150× 15× 5		Drifter	镗子	
39	199014850001	1	0.8MPa		Air pressure meter for tire	轮胎气压表	
40	AZ1600290001	1			Tool box	工具箱	
41	AZ9100850002	1	200mm		File	手锉	
42	179100810051	1			Light bulb	灯泡 24V21W	

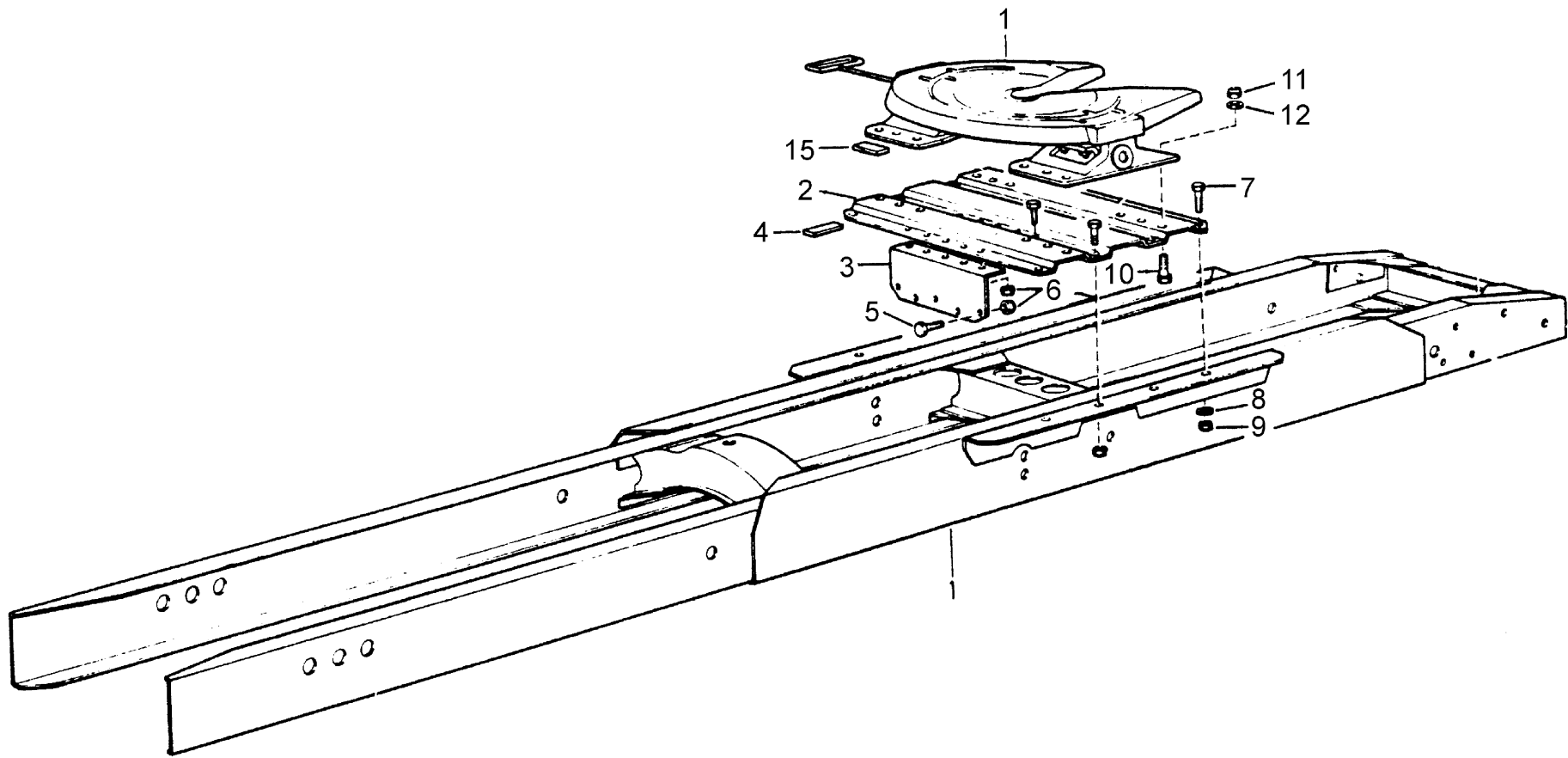




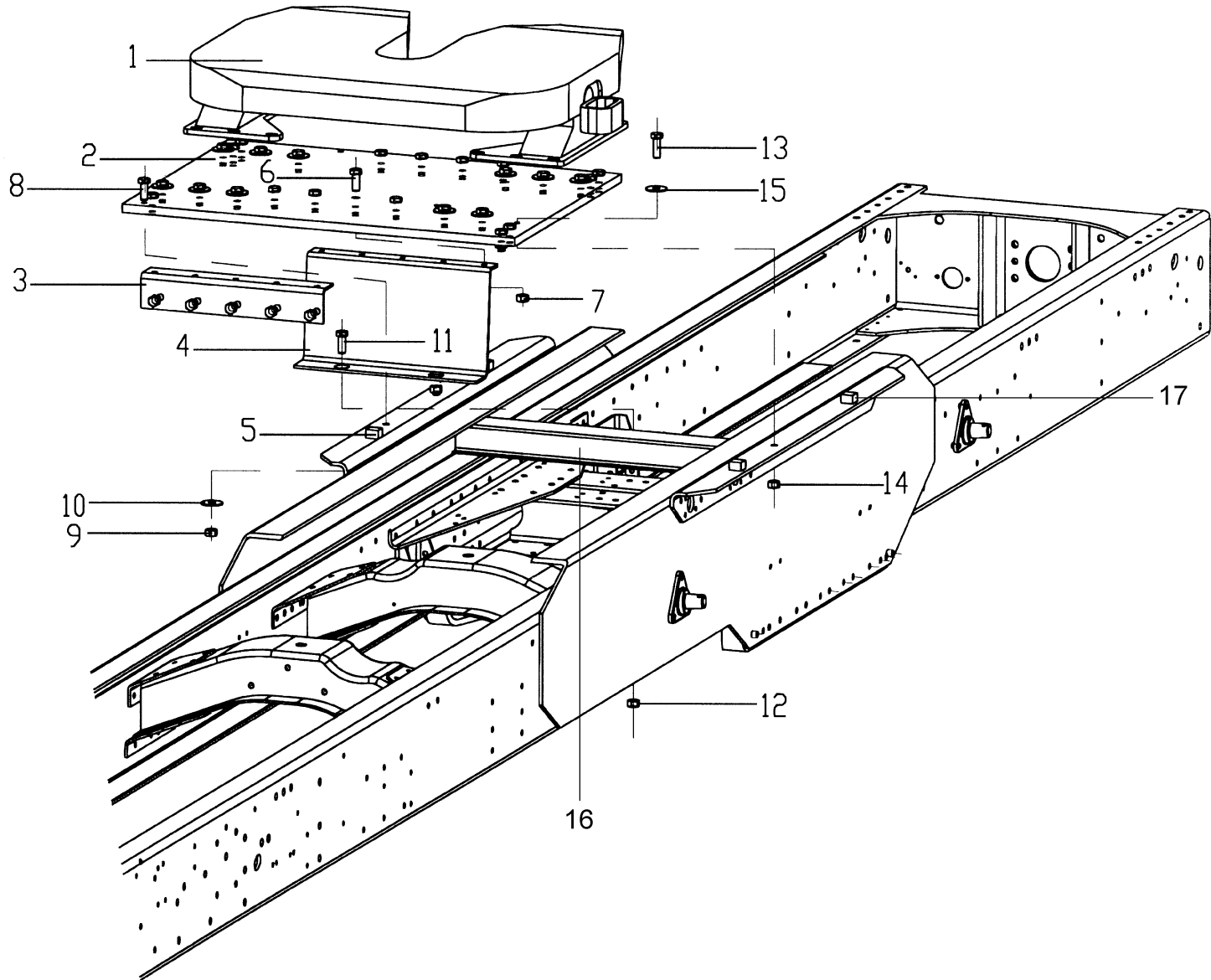
Nb	Number of part	Quantity	Description	Applicability	Designation	名称	Remark
1	WG7600616020	1			9.00- 20- 16PR tire	9.00- 20- 16PR 轮胎	
1	WG7600616010	1			10.00- 20- 16PR tire	10.00- 20- 16PR 轮胎	
1	WG9100610024	1			11.00- 20- 18PR tire	11.00- 20- 18PR 轮胎	
1	WG9112619012	1			12.00- 20- 18PR tire	12.00- 20- 18PR 轮胎	
1	WG9114619015	1			12.00- 24- 18PR tire	12.00- 24- 18PR 轮胎	
1	AZ9100618001	1			12R22.5 tire	12R22.5 无内胎轮胎	
1	DE9114610025	1		4x 4, 6x 6 Single tire	14.00R20 tire	14.00R20 轮胎 单胎	
4	WG9100610061	1		For 9.00, 10.00 Tire	7.50V- 20 Disc wheel	7.50V- 20 车轮总成	
4	BZ9100610161	1		11.00 Tire	8.0- 20 Disc wheel	8.0- 20 车轮	
4	WG9112610062	1		12.00 Tire	8.5- 20 Disc wheel	8.5- 20 二件幅板式车轮总成	
4	WG9114610061	1		12.00- 24 Tire	8.5- 24 Disc wheel	8.5- 24 二件式车轮总成	
4	AZ9100610062	1		12 R 22.5 Tire	8.25x 22.5 Disc wheel	8.25x 22.5 一件式车轮	
4	AZ9100610065	1		12 R 22.5 Tire	9.0x 22.5 Disc wheel	9.0x 22.5 一件式车轮	
4	DZ9114610024	1		14.00 R20	Disc wheel	车轮总成	
5	WG9100610061- 1	1			7.50V- 20 Side ring	7.50V- 20 挡圈	
5	WG9100610011- 1	1			8.0- 20 Side ring	8.0- 20 挡圈	
5	WG9112610062- 1	1			8.5- 20 Side ring	8.5- 20 挡圈	
5	WG9114610061- 1	1			8.5- 24 Side ring	8.5- 24 挡圈	
6	17600610014	1		7.50V- 20	Plate for valve	气门嘴垫片	
6	AZ9112610014	1		8.0- 20, 8.5- 24	Plate for valve	气门嘴垫片	
6	AZ9100610014	1		8.5- 20	Plate for valve	气门嘴垫片	
7	WG9100610001	2		4x 2, 6x 2, 4x 4	Valve extension	气门嘴延伸拉管	
7	WG9100610001	4		6x 4, 6x 6, 8x 4	Valve extension	气门嘴延伸拉管	
7a	1- 99- 964- 007			For WG9100610001 AZ9100617001	Protection cap	保护帽	
8	AZ9100617001	2		4x 2, 6x 2, 4x 4	Valve extension	气门嘴延伸拉管	
8	AZ9100617001	4		6x 4, 6x 6, 8x 4	Valve extension	气门嘴延伸拉管	



Nb	Number of part	Quantity	Description	Applicability	Designation	名称	Remark
9	AZ9112610090	2		4× 2, 6× 2	Cover for front wheel	前轮罩	Option
9	AZ9112610090	4		8× 4	Cover for front wheel	前轮罩	Option
10	AZ9112610083	20		For front wheel bolt	Protection cap	车轮螺栓防护帽	Option



No	Number of part	Quantity	Description	Applicability	Designation	名称	Remark
1	WG9112930002	1	50#		Fifth wheel	牵引座总成	Hight 180mm
1	WG9114930021	1	90#		Fifth wheel	牵引座总成	Hight 200mm
2	WG9112510038	1			Plate	安装板	
3	AZ9100510162	1			Plate	连接板	
4	199100510102	4			Plate	推力板	
5	Q151C1245	10			Screw	六角头螺栓	
6	190003888457	10			Nut	自锁螺母	
7	Q151B1680TF2	12			Screw	六角头螺栓	
8	190003888459	12			Nut	自锁螺母	
9	1- 99- 907- 030	12			Washer	垫圈	
10	Q151B1665	4			Screw	六角头螺栓	
11	190003888459	4			Nut	自锁螺母	
12	190003937830	4			Washer	垫圈	
15	1780S930009	6			Plate	支架板垫块	



Nb	Number of part	Quantity	Description	Applicability	Designation	名称	Remark
1	WG9112930002	1	50#		Fifth wheel	牵引座总成	hight 180mm
1	WG9114930021	1	90#		Fifth wheel	牵引座总成	hight 200mm
2	WG9114510044	1			Plate	安装板	
3	199114512868	1			Plate	角板	
4	199114510247	1			Plate	连接板	
5	199100510102	4			Plate	推力板	
6	Q151C1245	10			Screw	六角头螺栓	
7	190003888457	10			Nut	自锁螺母	
8	Q151B1870	8			Screw	六角螺母	
9	190003888466	8			Nut	自锁螺母	
10	1- 99- 907- 063	8			washer	垫圈	
11	Q151C1235	10			Screw	六角头螺栓(细牙)	
12	190003888457	10			Nut	自锁螺母	
13	Q151B1680TF2	12			Screw	六角头螺栓	
14	190003888459	12			Nut	自锁螺母	
15	1- 99- 907- 063	12			Washer	垫圈	
16	19914930116	4			Cross member	下横梁	
17	1780 S30009	6			Plate	支架板垫块	