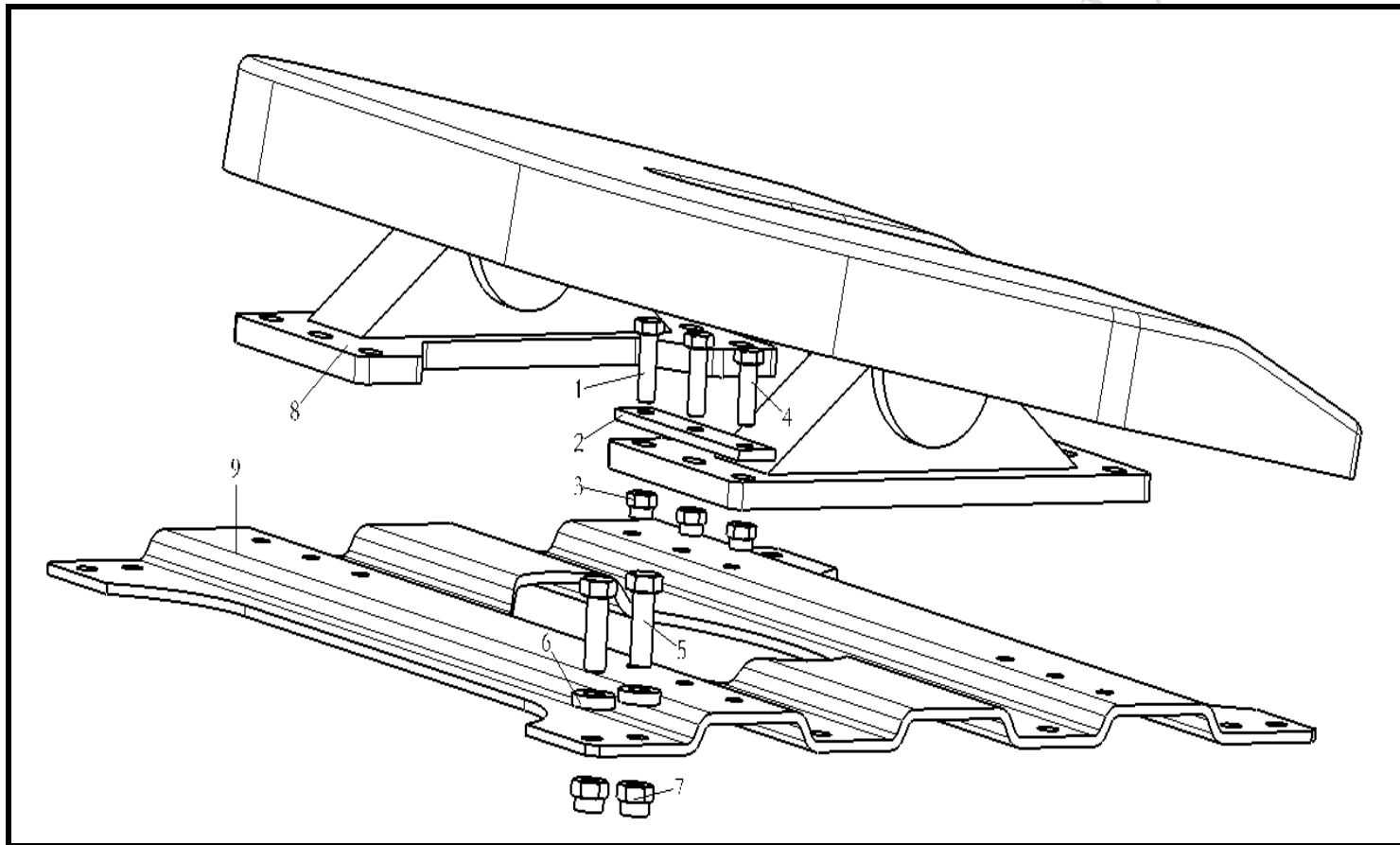


Shacman X6000 catalogue Part One

By John Whatsapp +8615550448690.

SEMI TRAILING BASE



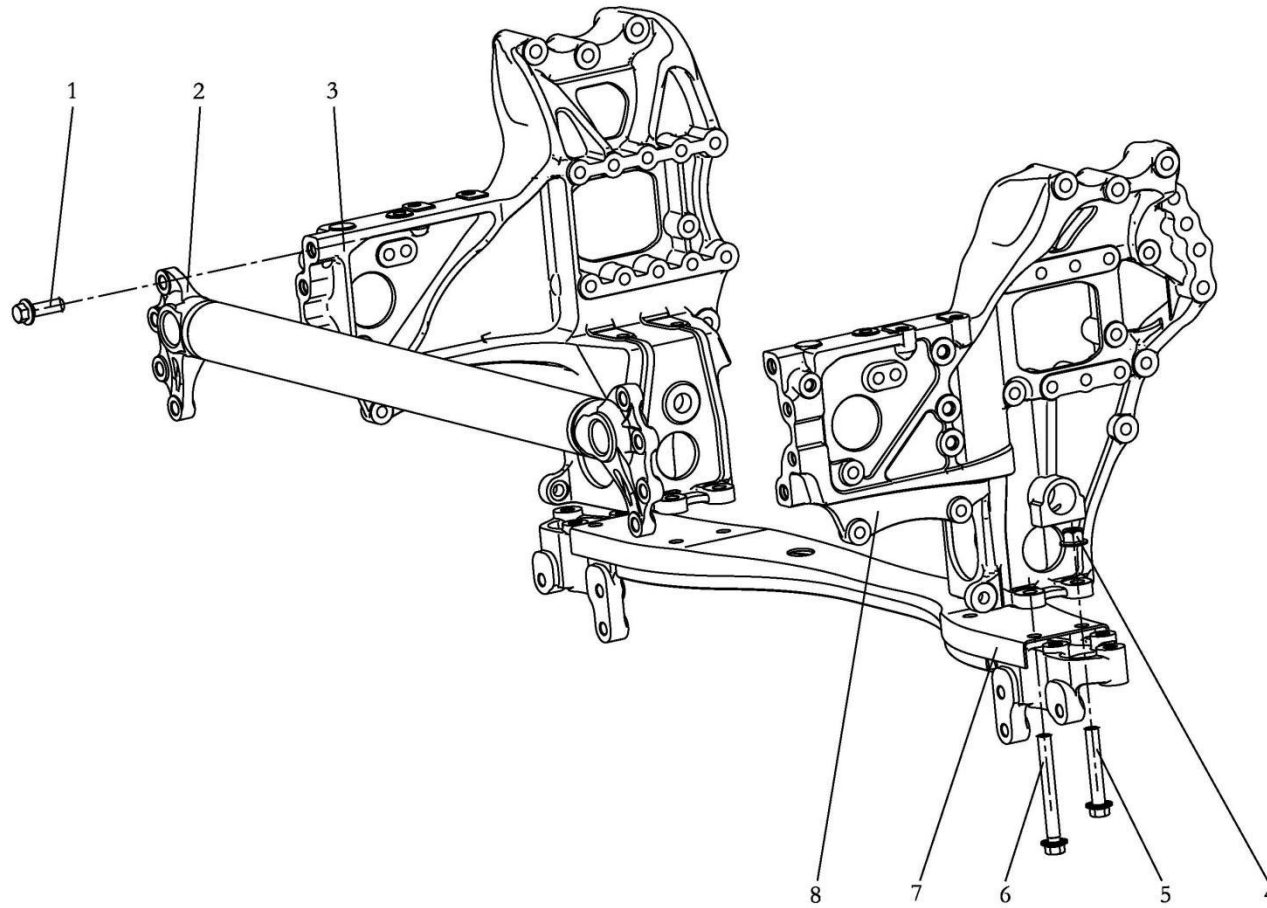
SEMI TRAILING BASE

Serial number	Part Number Part No.	name Designation	Name	quantity Quantity	Applicable models	Remark Remark
---------------	-------------------------	---------------------	------	----------------------	----------------------	------------------

Shandong heavy truck and machinery Co., Ltd

1	Q151B1650	Hexagon head bolts-fine thread	Hex screw	8	
2	T1F3	Lower beam	Slat	4	
3	199114930116	Self-locking nuts	Locknut	12	
4	190003888459	Hexagon head bolts-fine thread	Hex screw	4	
5	Q151B1645	Hexagon head bolts-fine thread	Hex screw	12	
6	T1F3	washer	washer	12	
7	Q151B205	Self-locking nuts	Locknut	12	
8	5T1F3	135 type 90 saddle	90 semi trailing base	1	
	DZ911251003 7	Saddle (single swing 50,173mm)	50 semi trailing base	1	
	19000388846 7	Low 50 saddle (152mm)	50 semi trailing base	1	
	SZ993000796	Yost 50 saddle (JSK36DV2 with E	50 semi trailing base	1	
	AZ9114930001	mark)	90 semi trailing base	1	
	AZ9114930004	JOST Lightweight 90 Saddle	90semi trailing base	1	
	SZ993000003	(JSK35DV1-25)	90 semi trailing base	1	
9	DZ91259930018	Saddle device (single pendulum 90)	Soleplate	1	
	199114930076	Lightweight 90 saddle			
	DZ91189933016	Corrugated saddle mounting plate (6			
	DZ95189930023	×2 follower bridge)			

FRAM E FOREPART ACCESSORY



FRAM E FOREPART ACCESSORY

sequence Number	Part Number Part No.	name Designation	Name	quantity Quantity	Applicable models	Remark Remark
--------------------	-------------------------	---------------------	------	----------------------	----------------------	------------------

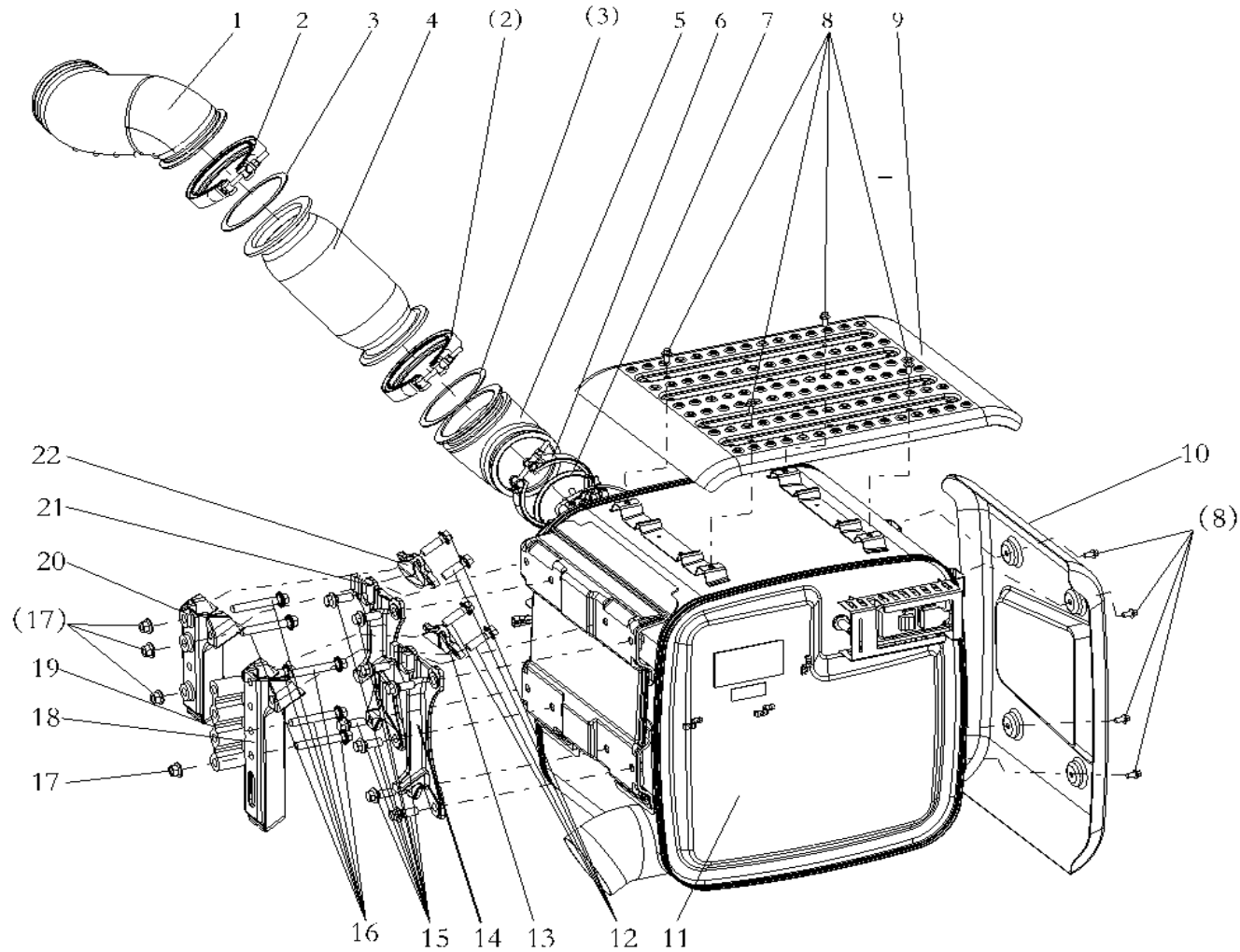
Shandong heavy truck and machinery Co., Ltd

Chinese truck parts supplier/Sinotruk/Shacman/FAW/Foton/Beiben/Weichai

1	Q1811650TF3	Hexagon Flange	H exagon headed bolt	8		
2	DZ9H259800559	Bolts-Fine Thread	First cross beam assembly	1		
3	DZ9H259805538	One beam assembly	Right front beam	1		
4	Q33116T13F3	Right front extension	H exagon nut	8		
5	SXQ18116100TF3	beam	H exagon headed bolt	6		
6	SXQ18116140TF3	Hexagon flange lock nut	H exagon headed bolt	2		
7	DZ9H259800601	Hexagon Flange Bolts-Fine Thread	C ross beam welding assy (with support)	1		
8	DZ9H259805537	Hexagon Flange Bolts-Fine Thread Second crossbeam welding assembly (with vehicle step support) Left front extension beam	L eft front beam	1		

Aftertreatment system (WP12/WP13 National V)

Shandong heavy truck and machinery Co., Ltd



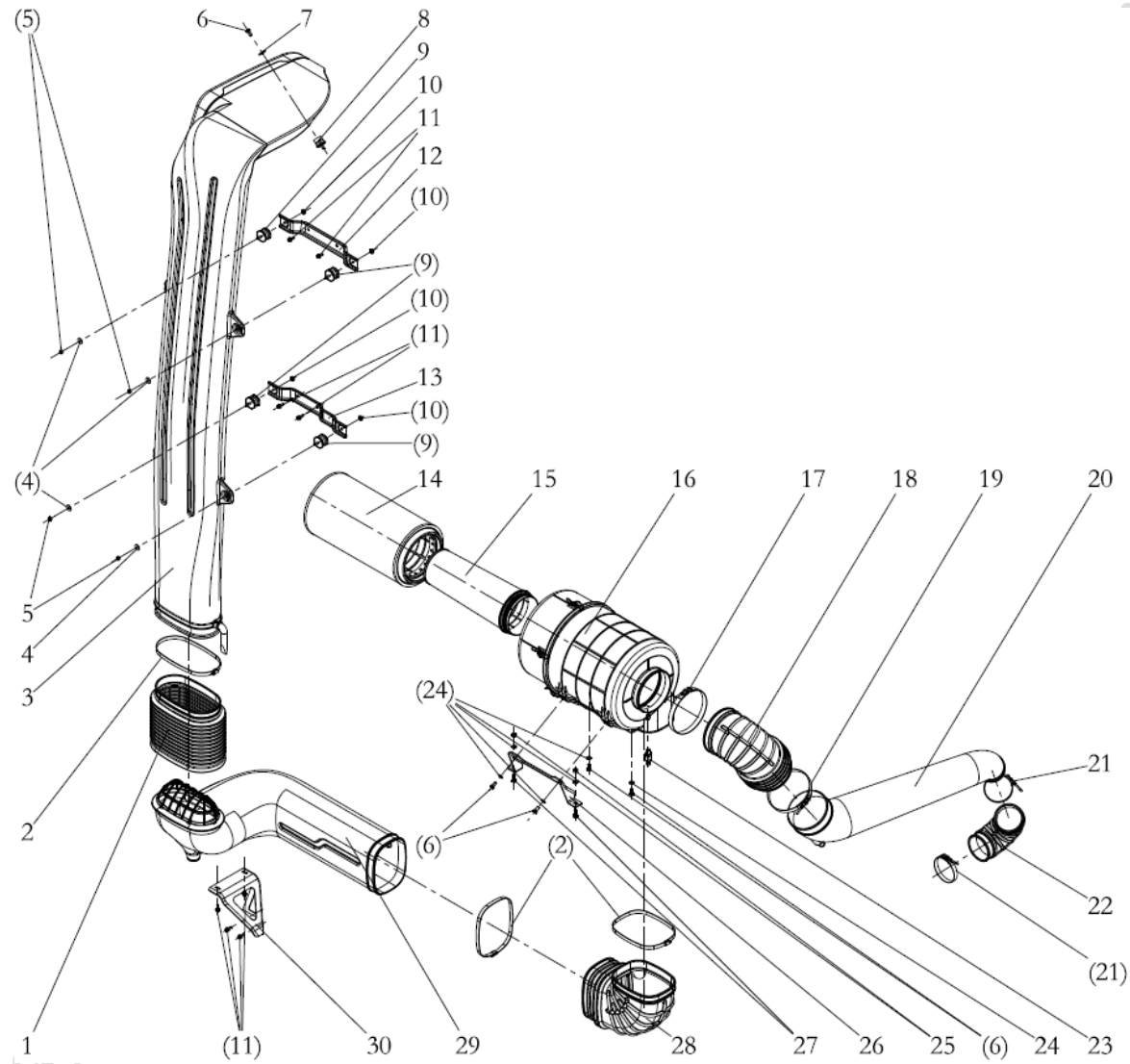
Aftertreatment system (WP12/WP13 National V)

Serial number	Part Number Part No.	name Designation	Name	quantity Quantity	Applicable models	Remark Remark
---------------	-------------------------	---------------------	------	----------------------	----------------------	------------------

Shandong heavy truck and machinery Co., Ltd

1	DZ9X259542030	Front casting exhaust pipe	Front Casting Escape Pipe	1		
2	DZ9X259544001	V-type clamp Φ150		2		
3	DZ9112540017	Gasket	V Clip Φ150	2		
4	DZ96259540009	Clamp connection bellows	Sealing mat	1		
5	DZ9X259542031	Rear casting exhaust pipe	C lamping C orrugated P	1		
6	DZ9X259544000	V-type clamp Φ1 32	ipe	1		
7	DZ95259540029	Gasket	Back Casting Escape Pipe	1		
8	Q1840816	Hexagonal flange bolts		8		
9	DZ9X259546002	(galvanized)	V Clip Φ1 32	1		
10	DZ9X259546003	Upper insulation board	Sealing mat	1		
11	DZ9X259541007	Side insulation board	Hex bolt	1		
12	Q1811445TF3	WP13 National V	Up Thermal Baffle	4		
13	DZ9X259545033	post-processor assembly	Side Thermal Baffle	1		
14	DZ9X259545032	Hexagonal Flange Face	WP13 Cn5 EGP	1		
15	Q1811435TF3	Bearing Toothed Bolts	Hex bolt	8		
16	Q1811490TF3	Rear bracket cover	Back bracket gland	6		
17	06.11251.2005	Rear connecting bracket	Back connect bracket	4		
		Hexagonal Flange Face	Hex bolt			
18	DZ9X259545031	Bearing Toothed Bolts	Hex bolt	1		
19	DZ9X259549012	Hexagonal Flange Face	Hex nut	1		
20	DZ9X259545028	Bearing Toothed Bolts		1		
twenty	DZ9X259545029	Hexagonal nut M7.112.40	Back fix bracket	1		
one	DZ9X259545030	M14*1.5-10-MAN183B1 with	Cushion board	1		
twenty		flange	Front fix bracket			

Air Intake System AIR INTAKE SYSTEM (G3X_WP12/WP13_CAB6)



Air Intake System AIR INTAKE SYSTEM (G3X_WP12/WP13_CAB6)

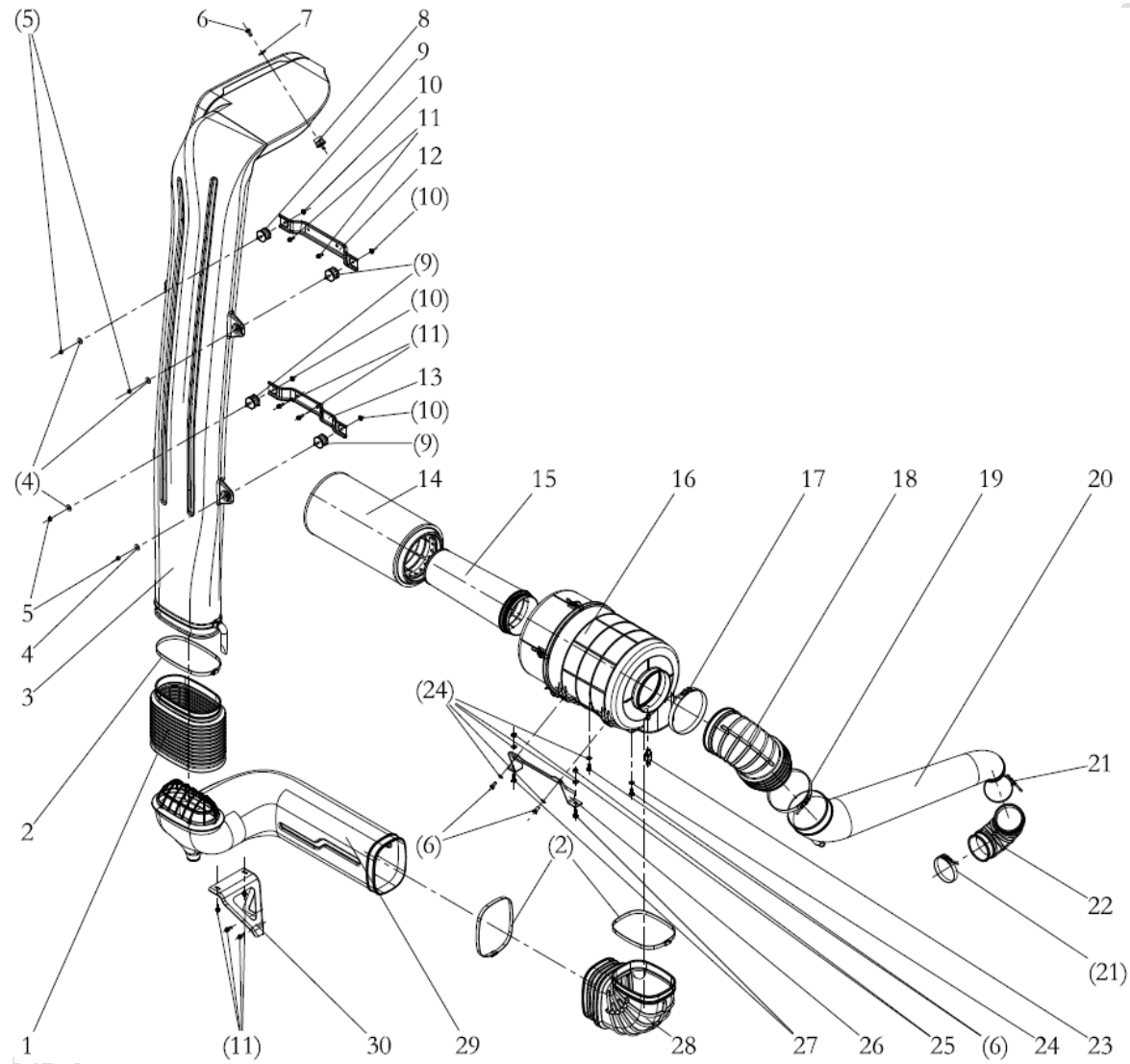
Serial number NO	Part Number Part No.	name Name	Name	quantity Quantity	Applicable models Suited type	Remark Remark
1	DZ9X259190500	Bellows assembly	Screw duct	1		
2	DZ9002530001	Stainless steel clamp	Clip	3		
3	DZ9X259190200	Intake flat pipe assembly	Dirty air duct	1		
4	Q4 0 2 B 08	Large washer (galvanized)	Washer	4		
5	Q33208T2F3	Type 2 all metal hexagon lock nut	Hex locknut	4		
6	Q150B1020T1F3	Hexagon head bolts	Hex bolt	5		
7	Q402 B 10	Large washer (galvanized)	Washer	1		
8	DZ9X259190717	Shock absorber	Cushion block	1		
9	DZ9X259190716	Shock absorber	Cushion block	4		
10	Q32008	Hexagonal flange nut (galvanized)	Hex flange nut	4		
11	Q1800820	Hexagonal flange bearing toothed bolts (galvanized)	Hex flange bolt	8		

Chinese truck parts supplier/Sinotruk/Shacman/FAW/Foton/Beiben/Weichai

12	DZ9X259190718	Intake flat pipe upper bracket	Bracket	1		
13	DZ9X259190719	Intake flat pipe lower bracket	Bracket	1		
14	DZ9X259190121	Main filter assembly	Main element	1		
15	DZ9X259190131	Safety filter assembly	Safety element	1		

Air Intake System AIR INTAKE SYSTEM (G3X_WP12/WP13_CAB6)

Shandong heavy truck and machinery Co., Ltd



Air Intake System AIR INTAKE SYSTEM (G3X_WP12/WP13_CAB6)

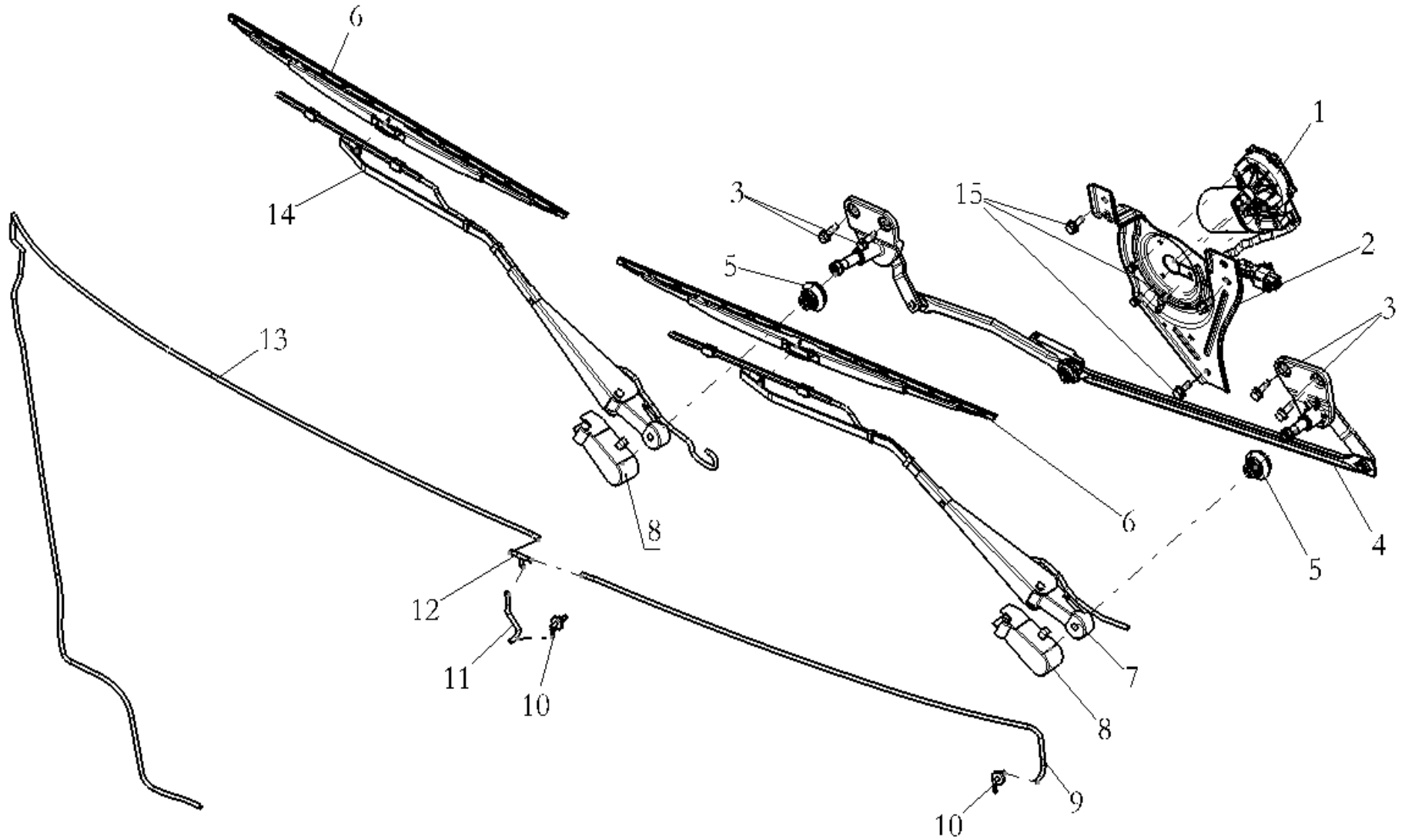
Serial number NO	Part Number Part No.	name Name	Name	quantity Quantity	Applicable models Suited type	Remark Remark
16	DZ9X259190111	Air filter housing	House	1		
17	DZ9003532192	T-type clamp	Clip	1		
18	DZ9X259190402	Air filter outlet pipe	Clean air duct	1		
19	DZ9003532185	T-type clamp	Clip	1		
20	DZ9X259190400	Supercharger intake pipe	Clean air duct	1		
twenty one	DZ9003532115	T-type clamp	Clip	2		
twenty two	DZ9X189190404	Supercharger connecting pipe	Clean air duct	1		
twenty three	DZ97189711320	Dry type air filter blockage alarm switch	Signal switch	1		
twenty four	Q401B10	Flat washer (galvanized)	Washer	6		
25	Q33210T2F3	Type 2 all metal hexagon lock nut	Hex locknut	2		
26	DZ9X259190715	Air filter bracket	Bracket	1		
27	Q150B1025T1F3	Hexagon head bolts	Hex bolt	2		

Chinese truck parts supplier/Sinotruk/Shacman/FAW/Foton/Beiben/Weichai

28	DZ9X259190302	Air filter intake pipe	Dirty air duct	1	
29	DZ9X259190300	Intake connecting pipe assembly	Dirty air duct	1	
30	DZ9X259190722	Intake connecting pipe bracket	Bracket	1	

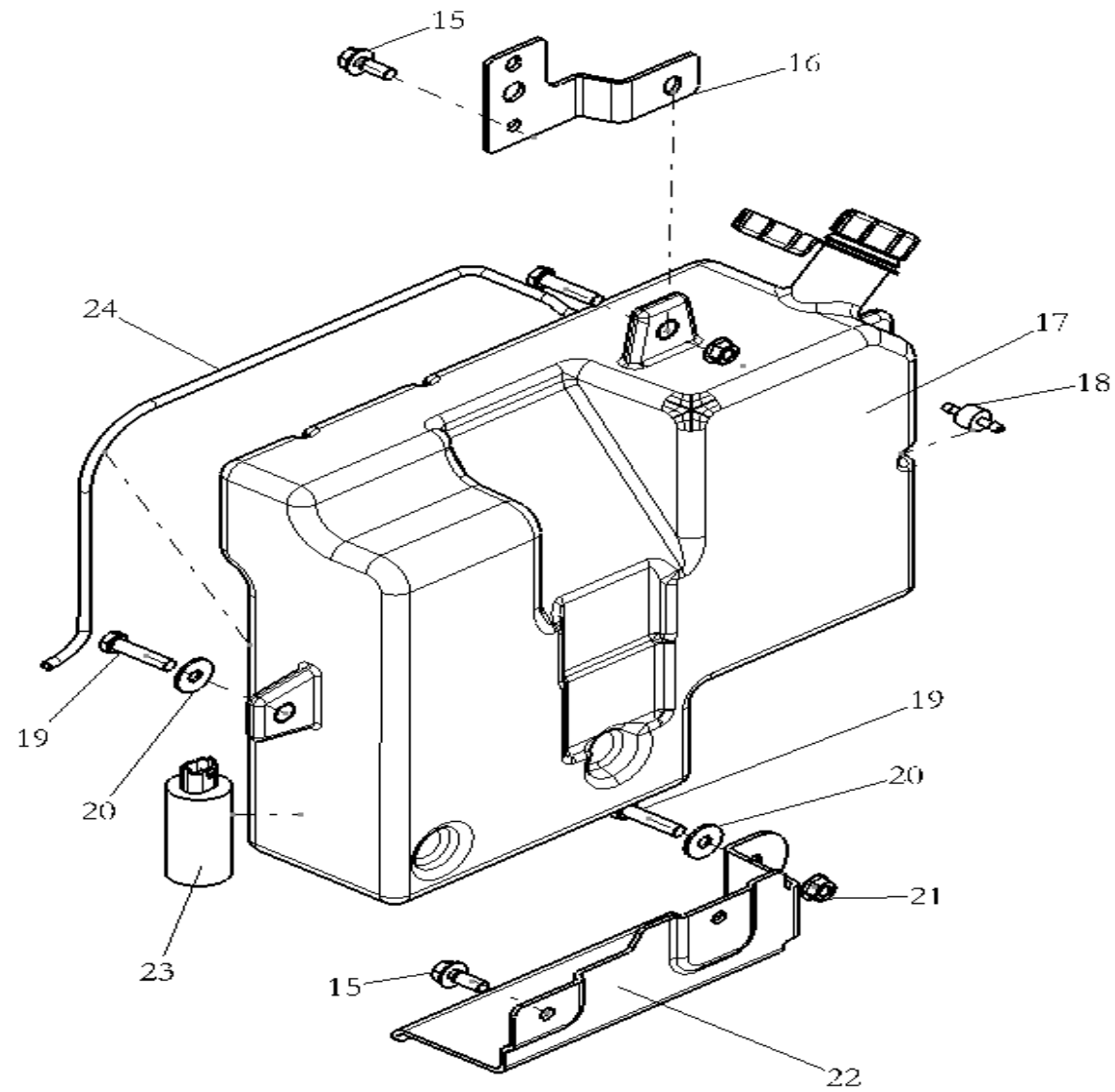
WINDSCREEN RINSE SYSTEM/LEFT

Shandong heavy truck and machinery c., Ltd



WINDSCREEN RINSE SYSTEM/LEFT

Shandong heavy truck and machinery Co., Ltd



WINDSCREEN RINSE SYSTEM/LEFT

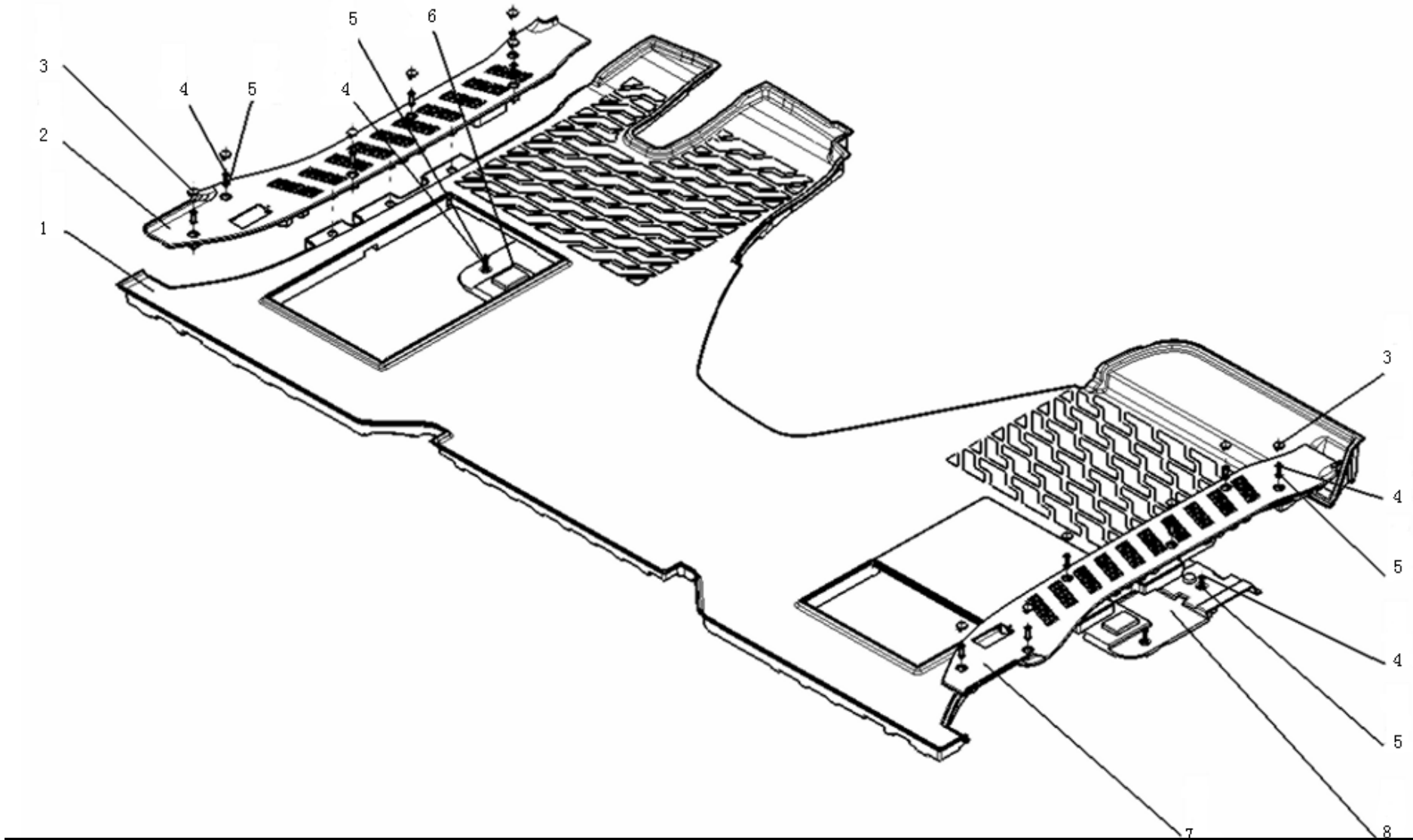
Serial numb	Part Number Part No.	name Designation	Name	quantity Quantity	Applicable models Suited type	Remark Remark
----------------	-------------------------	---------------------	------	----------------------	-------------------------------------	------------------

Shandong heavy truck and machinery Co., Ltd

Chinese truck parts supplier/Sinotruk/Shacman/FAW/Foton/Beiben/Weichai

1	DZ16231740031	Wiper motor	Wiper motor	1		
2	DZ16231740032	Wiper motor bracket	Wiper motor bracket	1		
3	Q1840825	Hexagonal flange bolts (galvanized)	Hex flange Bolt	4		
4	DZ16251740040	Connecting rod assembly	Wiper Linkage Assembly	1		
5	DZ16251740110	Waterproof cover	Waterproof cover	2		
6	DZ16231740012	Wiper Blades	Wiper Blade	2		
7	DZ16251740011	Main wiper arm	Main Wiper A rm S wf	2		
8	DZ16231740060	Wiper arm cover	Wiper A rm cover	1		
9	DZ16231740109	Washing hose IV	Hose IV	2		
10	DZ14251740036	Through hole elbow	Distributor II	1		
11	DZ16231740105	Washing hose III	Hose III	1		
12	DZ16231740106	Tee Connector	Distributor III/T	1		
13	DZ16231740104	Washing hose II	Hose II	1		
14	DZ16251740021	Auxiliary wiper arm	Auxiliary Wiper A rm S wf	1		
15	Q1860820	Hexagonal Flange Bolts - Large	Hex flange Bolt- increase	5		
16	DZ16231740114	Series (Galvanized)	Water Container Bracket	1		
17	DZ16231740101	Washing pot mounting bracket	Water Container	1		
18	DZ16231740107	Washing pot	Unilateralism valve	1		
19	Q150B0835	Check valve	Hex Bolt	3		
20	Q402B08	Hexagon head bolts (galvanized)	Big Washer	3		
twen	Q32008	Large washer (galvanized)	Hex Nut	2		
ty	DZ16231740116	Hexagonal flange nut (galvanized)	Water Container Bracket	1		
one	DZ16231740102	Washing pot mounting bracket	Water Container motor	1		
twen	DZ16231740103	Glass washing motor	Hose I	1		

Carpet floor mat assembly



SL

Carpet floor mat assembly

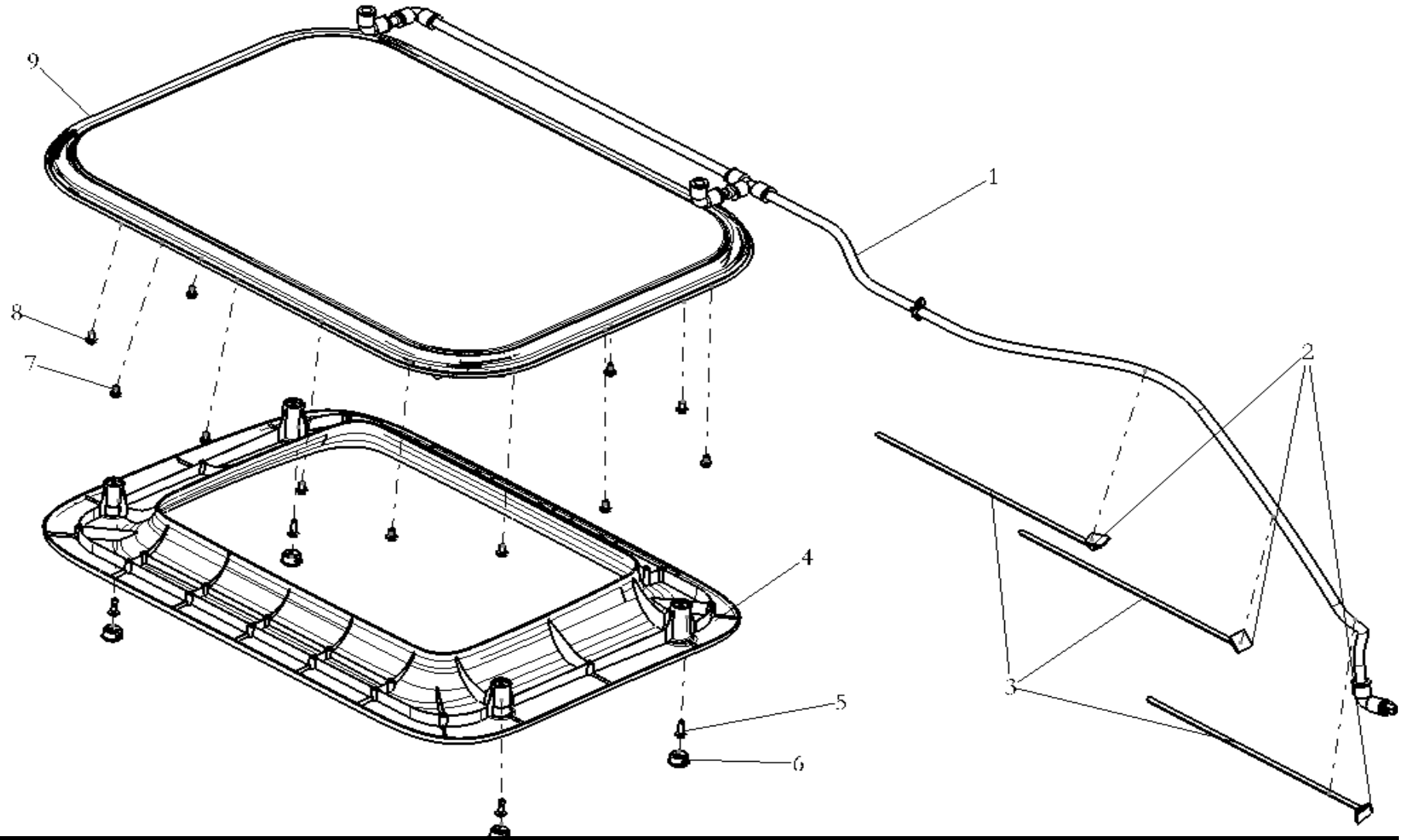
Serial number NO	Part Number Part No.	name Designation	Name	quantity Quantity	Applicable models Suited type	Remark Remark
---------------------	-------------------------	---------------------	------	----------------------	----------------------------------	------------------

Shandong heavy truck and machinery C., Ltd

Chinese truck parts supplier/Sinotruk/Shacman/FAW/Foton/Beiben/Weichai

1	DZ16251620601	Integral foam floor mat	Carpet	1		
2	DZ16251620001	assembly	Left Slat	1		
3	DZ16251620003	Left door sill molding	Plug	12		
4	Q2140625	Threshold stripping cover	Screw	20		
5	Q401B06	Cross recessed pan head screws	Washer	20		
6	DZ16251620005	Flat washer (galvanized)	Left support board	1		
7	DZ16251620002	Left support plate	Right Slat	1		
8	DZ16251620006	Right door sill molding	Right support board	1		
		Right support plate				

Motor Roof vent



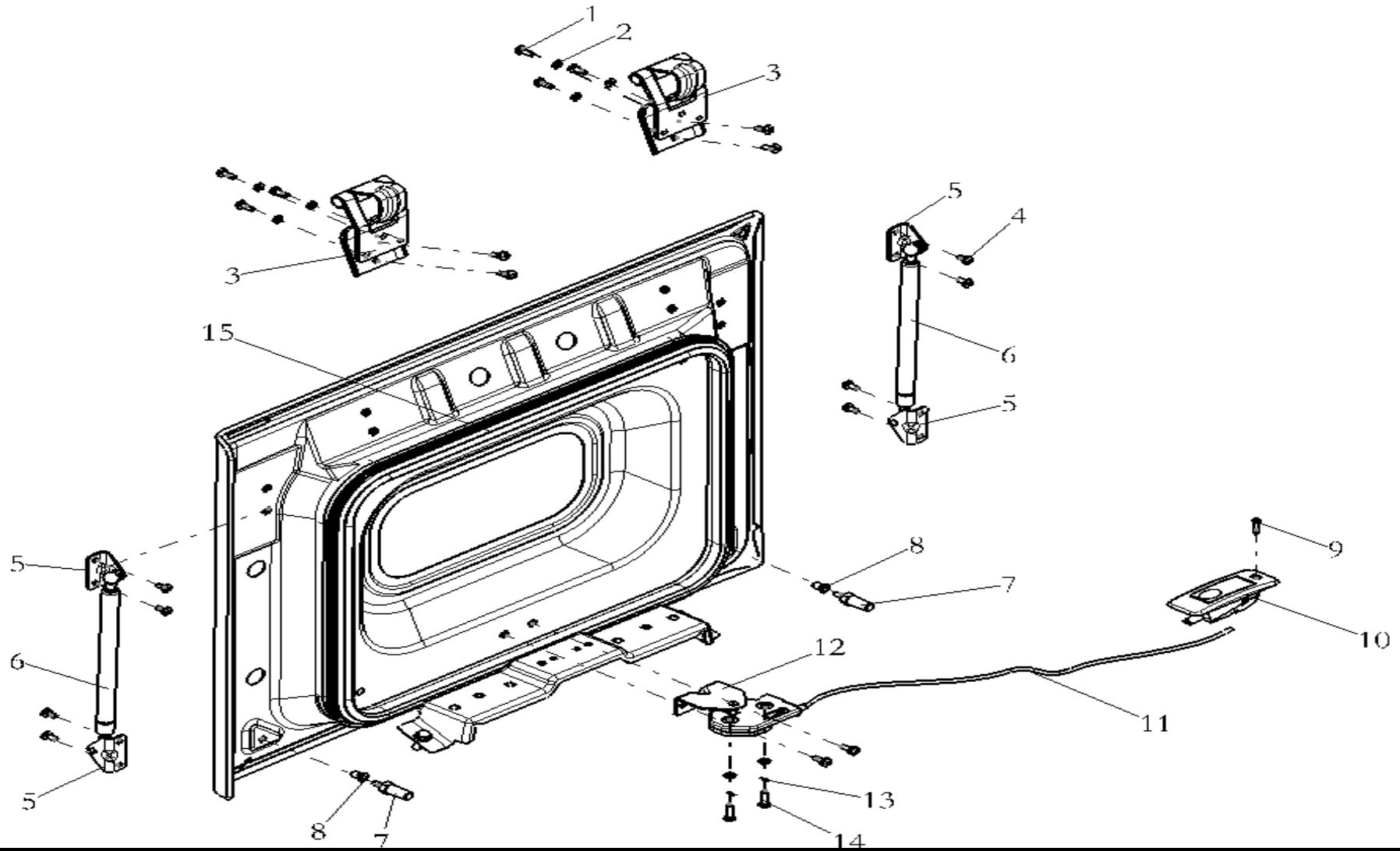
Motor Roof vent

Serial numb	Part Number Part No.	name Designation	Name	quantity Quantity	Applicable models Suited type	Remark Remark
----------------	-------------------------	---------------------	------	----------------------	-------------------------------------	------------------

Shandong heavy truck and machinery Co., Ltd

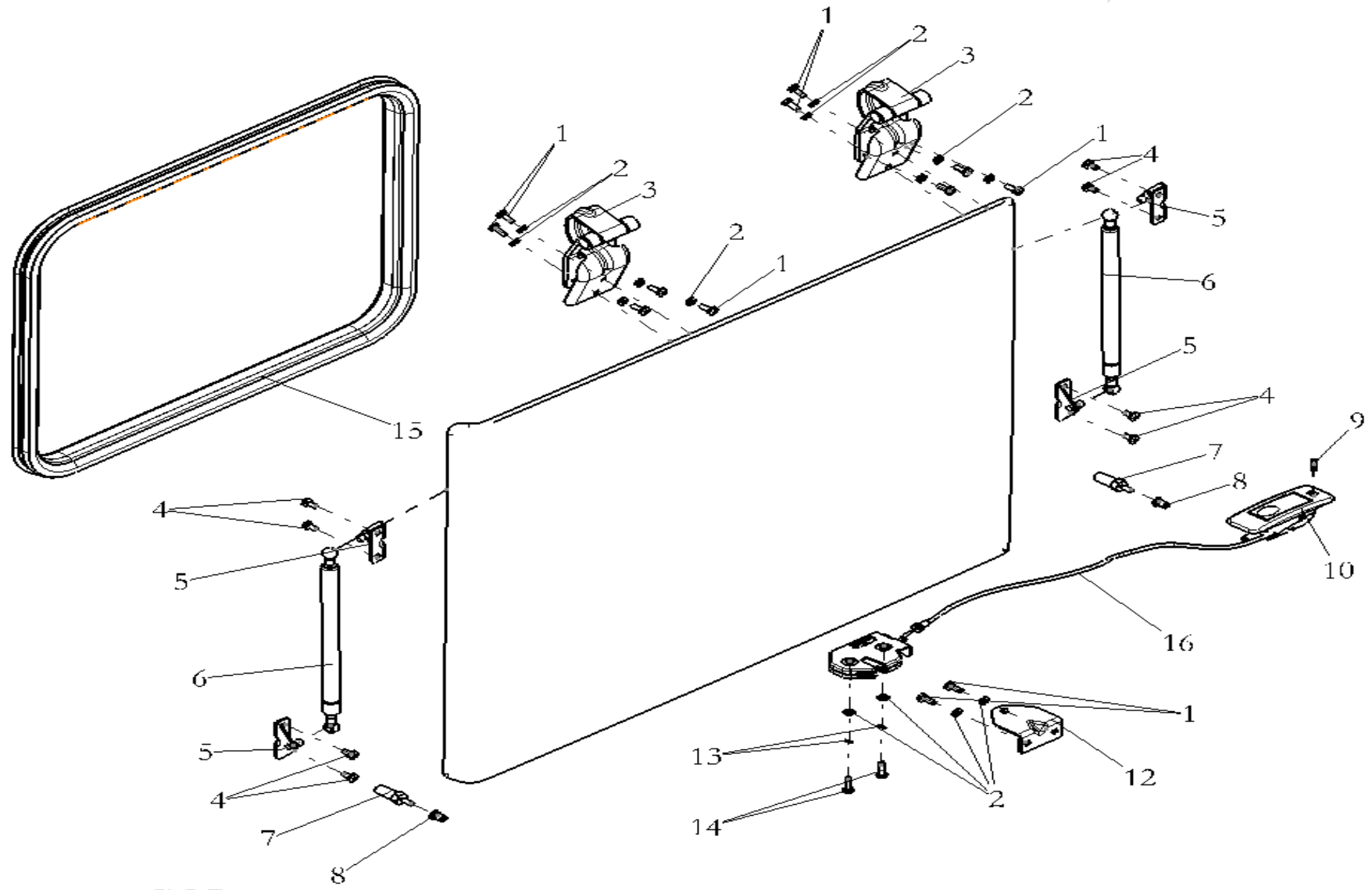
1	DZ16251420030	Water pipe assembly	Watt hose assembly	1		
2	DZ9X259090010	Pipe clamp single root/Φ6	pipe clip /Φ6	3		
3	DZ97189361000	Plastic fastening tape (-50 °C	Plastic tighten strap	3		
4	DZ16251420020	-105 °C)	roof cover	1		
5	Q2140620	Lower guard	Crosshead bolt	4		
6	DZ16251420046	Cross recessed pan head screws	B lock cover	4		
7	Q2140612	Lower guard cover	Crosshead bolt	13		
8	Q401B06	Cross recessed pan head screws	S mall Gasket	13		
9	DZ16251420010	Flat washer (galvanized)	Motor Roof vent assembly	1		
		Electric sunroof assembly				

Left tool box door left toolbox door



Right toolbox doorright toolbox door

Shandong heavy truck and machinery Co., Ltd



toolbox door toolbox door

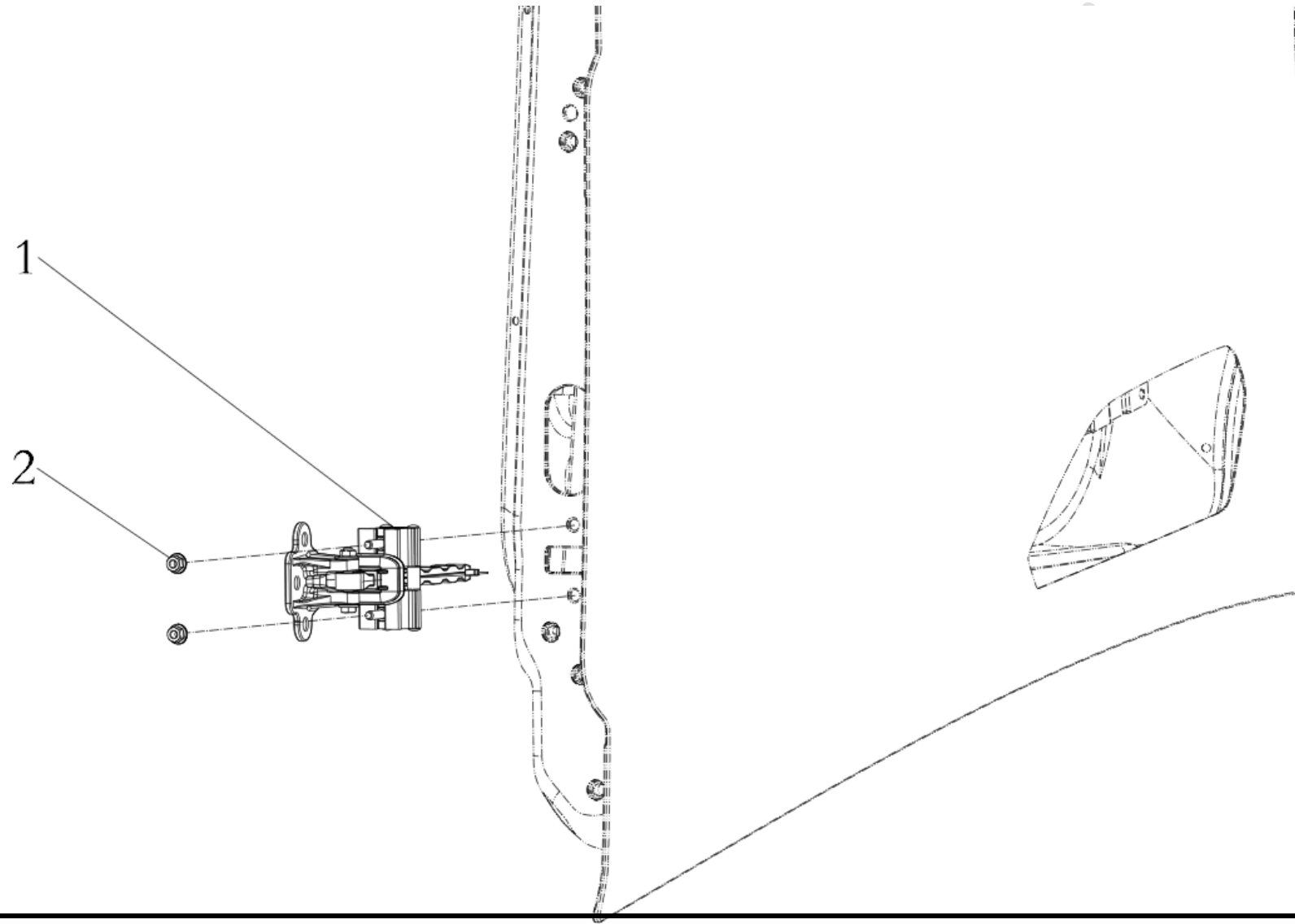
Serial numb	Part Number Part No.	name Designation	Name	quantity Quantity	Applicable models Suited type	Remark Remark
----------------	-------------------------	---------------------	------	----------------------	-------------------------------------	------------------

Shandong heavy truck and machinery C., Ltd

Chinese truck parts supplier/Sinotruk/Shacman/FAW/Foton/Beiben/Weichai

1	Q2140616	Cross recessed pan head screws	Crosshead bolt	twenty four		
2	Q401B06	Flat washer (galvanized)	S mall Gasket	twenty four		
3	DZ16231290210	Tool box hinge assembly	Gemel	4		
4	Q2140612	Cross recessed pan head screws	Crosshead bolt	16		
5	DZ16251290051	Gas spring mounting bracket	Gaseity spring bracket	8		
6	DZ16251290050	Tool box gas spring	Gaseity spring	4		
7	DZ16251290071	Tool box limit block	Limit part	4		
8	06.13169.0012	Rivet nuts	Rivet nut	4		
9	Q2714225	Cross recessed pan head self tapping	Crosshead bolt	2		
10	DZ16231292105	screws	Toolbox lock switch	2		
11	DZ16251292107	Toolbox lock button	Left Toolbox lock Assembly	1		
12	DZ16231292101	Left tool box lock assembly	Toolbox lockpin	2		
13	Q40306	Tool box lock bolt	Spring Gasket	4		
14	Q150B0620	Spring washers	Hex Bolt	4		
15	DZ16251290070	Hexagon head bolts	Toolbox pressurize part	2		
16	DZ16251292108	Tool box seal	R ight T oolbox lock A ssembly	1		
		Right tool box lock assembly				

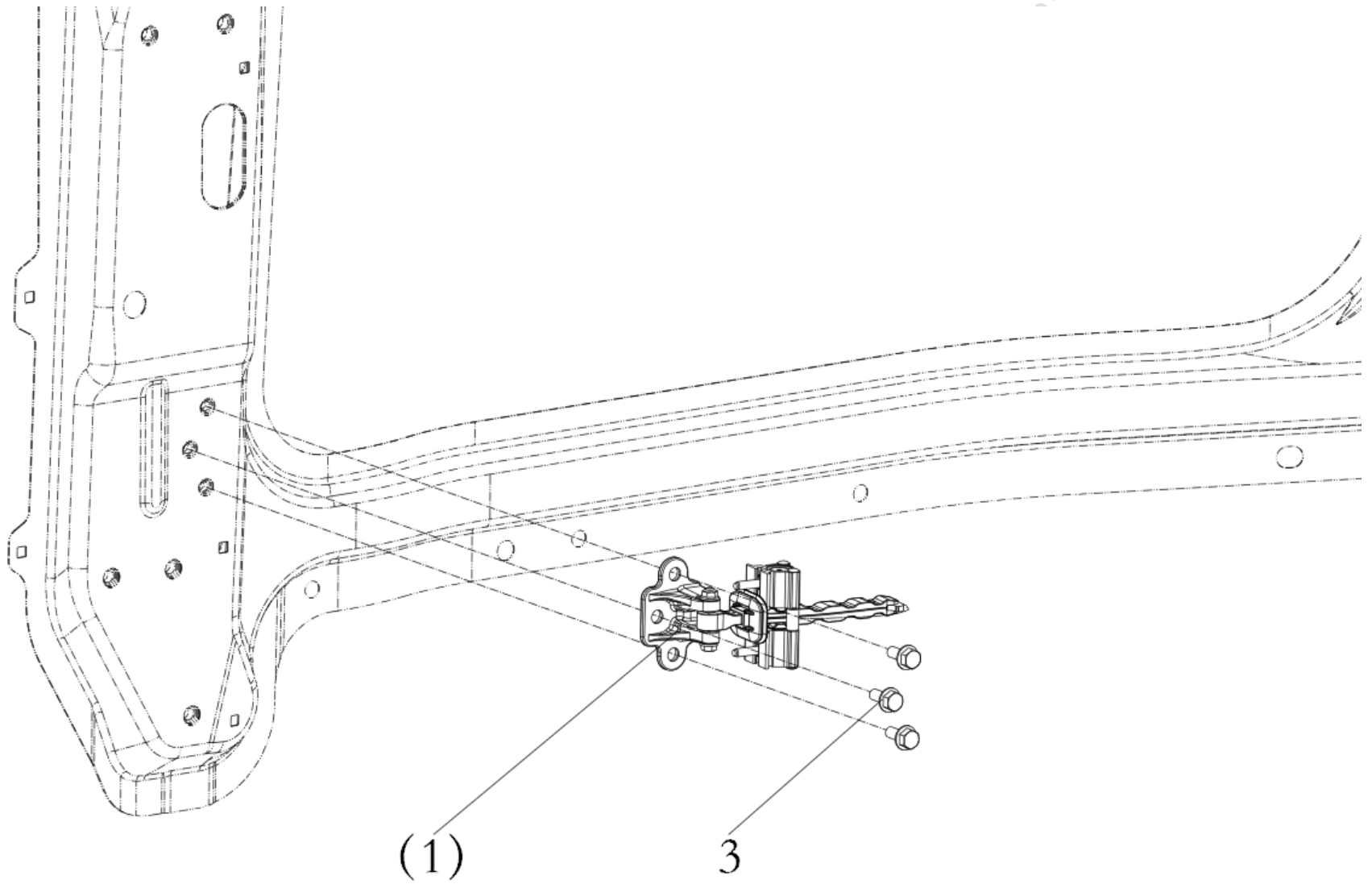
Left door limiter DOOR STOPPER_LH



SL

Left door limiter DOOR STOPPER_LH

Shandong heavy truck and machinery Co., Ltd



SL

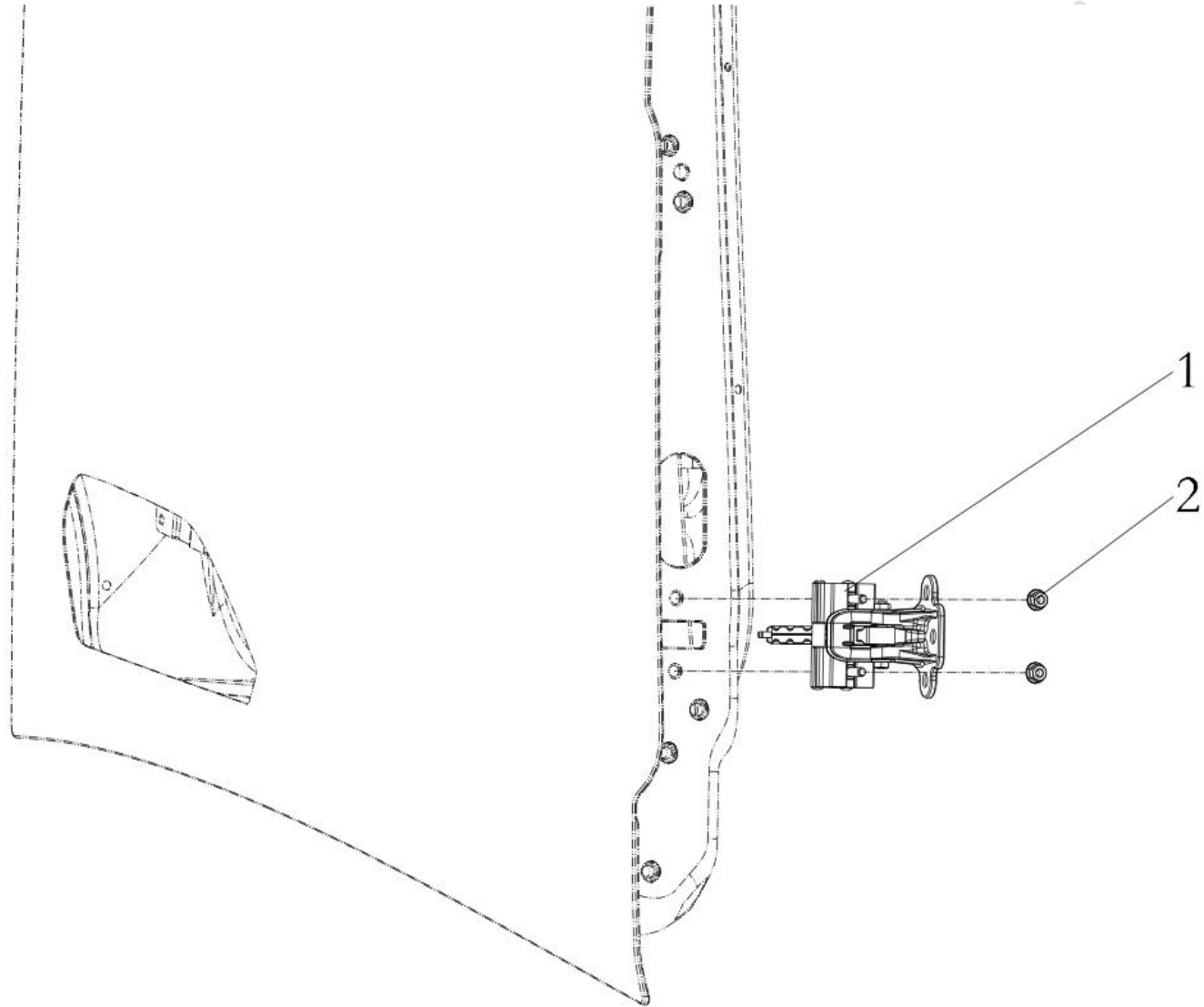
Left door limiter DOOR STOPPER_LH

Serial number NO	Part Number Part. No	name Designation	Name	quantity Quantity	Applicable models Suited type	Remark Remark
---------------------	-------------------------	---------------------	------	----------------------	----------------------------------	------------------

Shandong heavy truck and machinery Co., Ltd

1	DZ16231330301	Left door stopper	Door stopper _LH	1		
2	Q33006	All-metal hexagon flange lock nut	Hexagon Lock nut	2		
3	Q186 0820	(galvanized) Hexagonal Flange Bolts - Large Series (Galvanized)	Hexagon flange bolt	3		

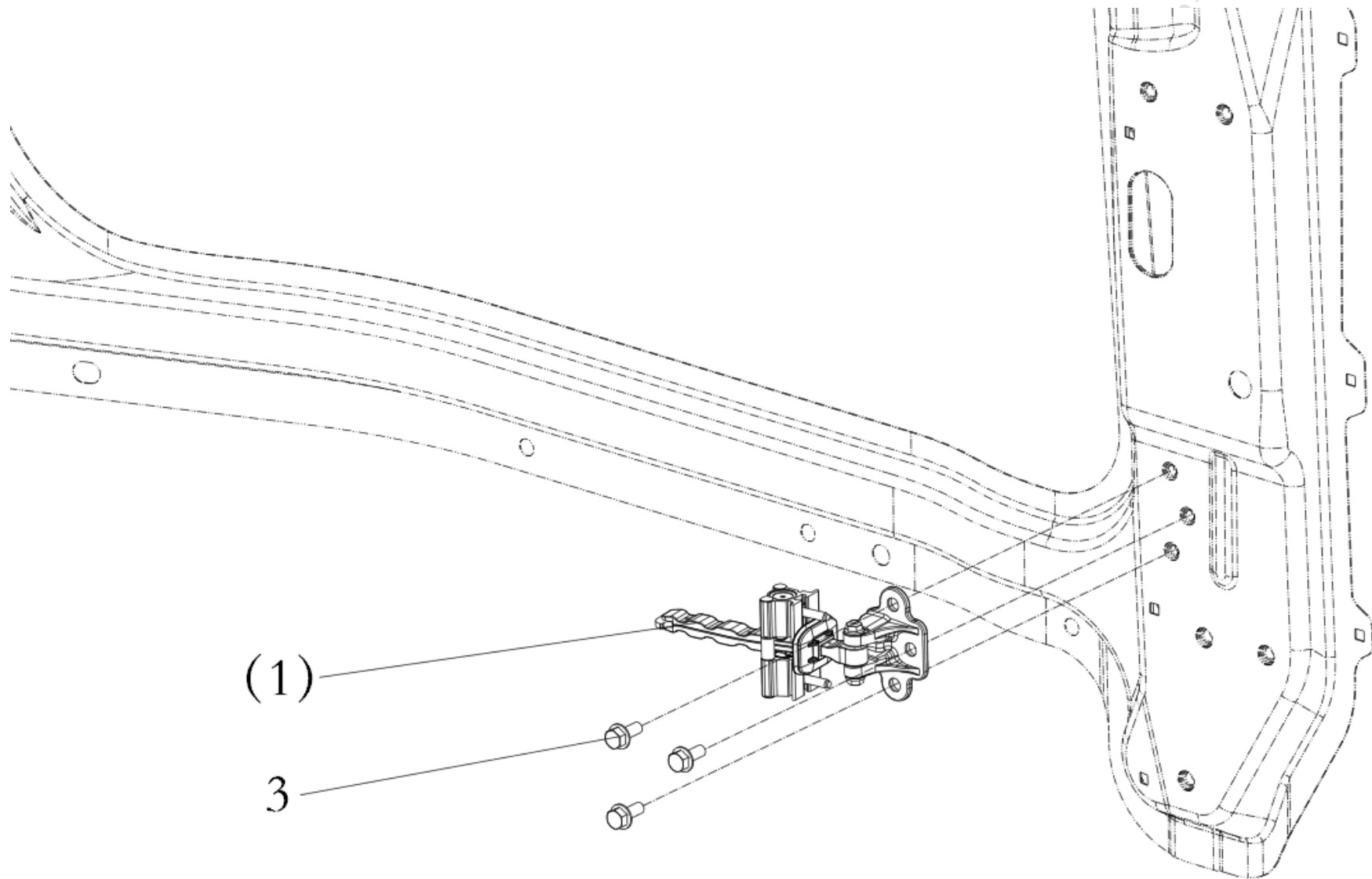
Right door limiter DOOR STOPPER_RH



SL

Right door limiter DOOR STOPPER_RH

Shandong heavy truck and machinery Co., Ltd



Right door limiter DOOR STOPPER_RH

Serial number NO	Part Number Part. No	name Designation	Name	quantity Quantity	Applicable models Suited type	Remark Remark
---------------------	-------------------------	---------------------	------	----------------------	----------------------------------	------------------

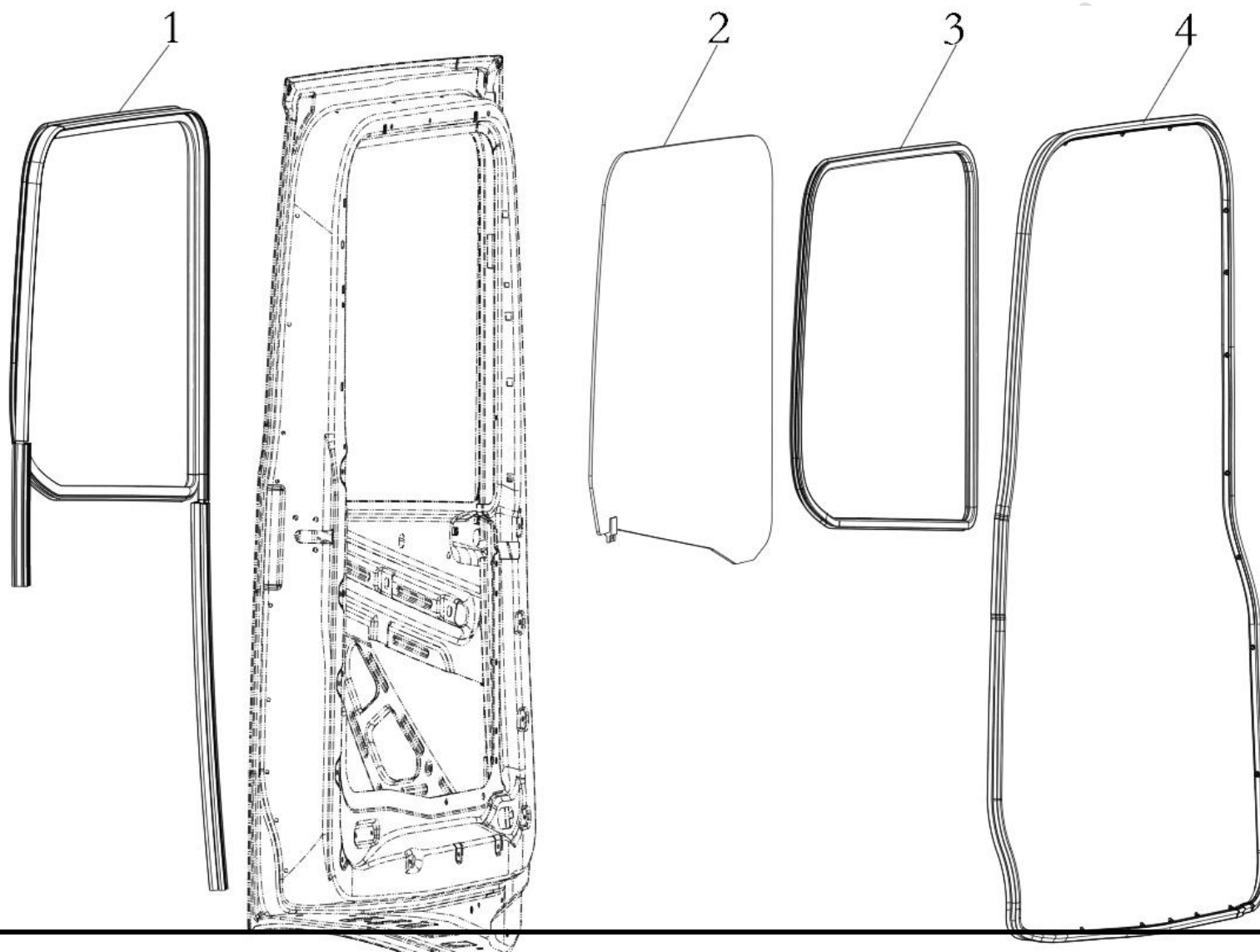
Shandong heavy truck and machinery Co., Ltd

1	DZ16231330302	Right door stopper	Door stopper _RH	1	
2	Q33006	All-metal hexagon flange lock nut	Hexagon Lock nut	2	
3	Q186 0820	(galvanized) Hexagonal Flange Bolts - Large Series (Galvanized)	Hexagon flange bolt	3	

Left door inner and outer watertight, second sealing strip and window glass LEFT DOOR WINDOW SEALING,

SECOND SEALING, WINDOW GLASS.

Shandong heavy truck and machinery C., Ltd



Left door inner and outer watertight, second sealing strip and window glass LEFT DOOR WINDOW SEALING,
SECOND SEALING, WINDOW GLASS.

Serial number NO	Part Number Part. No	name Designation	Name	quantity Quantity	Applicable models Suited type	Remark Remark
------------------------	-------------------------	---------------------	------	----------------------	----------------------------------	------------------

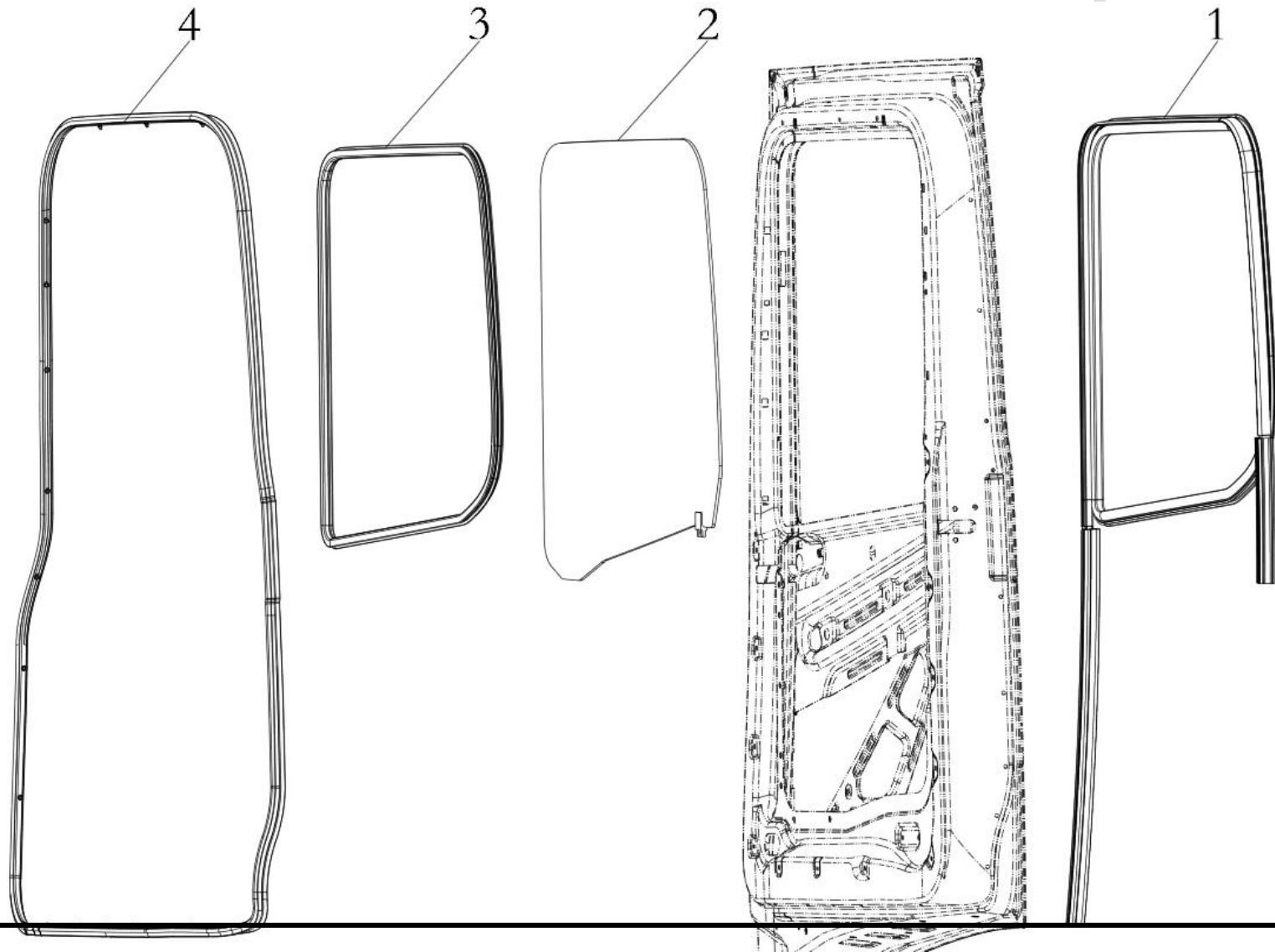
Shandong heavy truck and machinery Co., Ltd.

1	DZ16251 33 0	Left door outer water cut	Window sealing outer _LH	1		
2	123	Left door glass	Window glass_LH	1		
3	DZ16231330001	Left door inner water cut	Window sealing inner _LH	1		
4	DZ 16251330121 DZ16251330133	Left door second sealing strip	Second sealing _LH	1		

Right door inner and outer watertight, second sealing strip and window glassRight DOOR WINDOW SEALING,

SECOND SEALING, WINDOW GLASS.

Shandong heavy truck and machinery C., Ltd



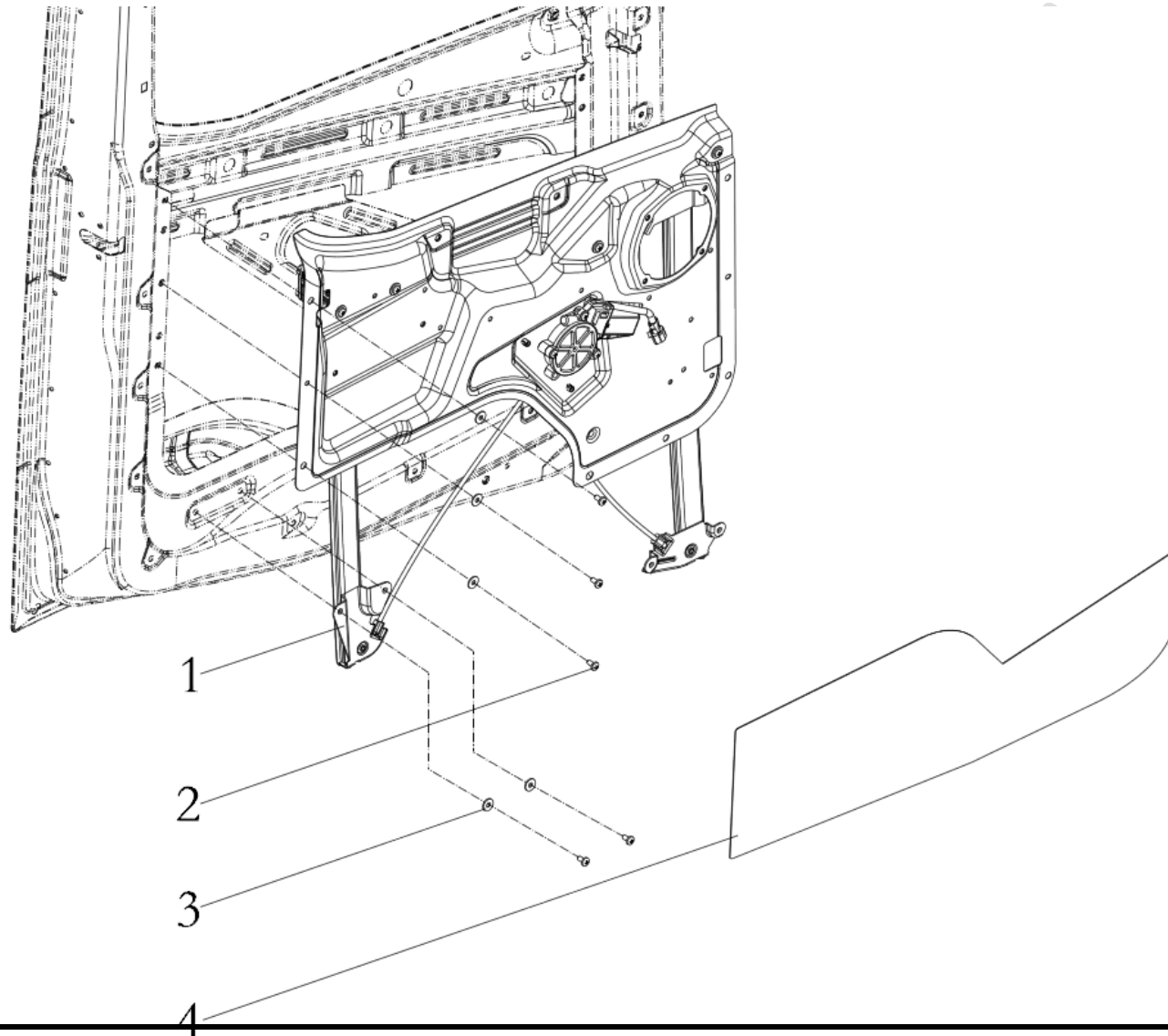
Right door inner and outer watertight, second sealing strip and window glass RIGHT DOOR WINDOW SEALING,
SECOND SEALING, WINDOW GLASS.

Serial number NO	Part Number Part. No	name Designation	Name	quantity Quantity	Applicable models Suited type	Remark Remark

Shandong heavy truck and machinery Co., Ltd.

1	DZ16251 33 0	Right door outer water cut	Window sealing outer _RH	1	
2	124	Right door glass	Window glass _RH	1	
3	DZ16231330002	Right door inner water cut	Window sealing inner _RH	1	
4	DZ 16251330122 DZ16251330134	Right door second sealing strip	Second sealing _RH	1	

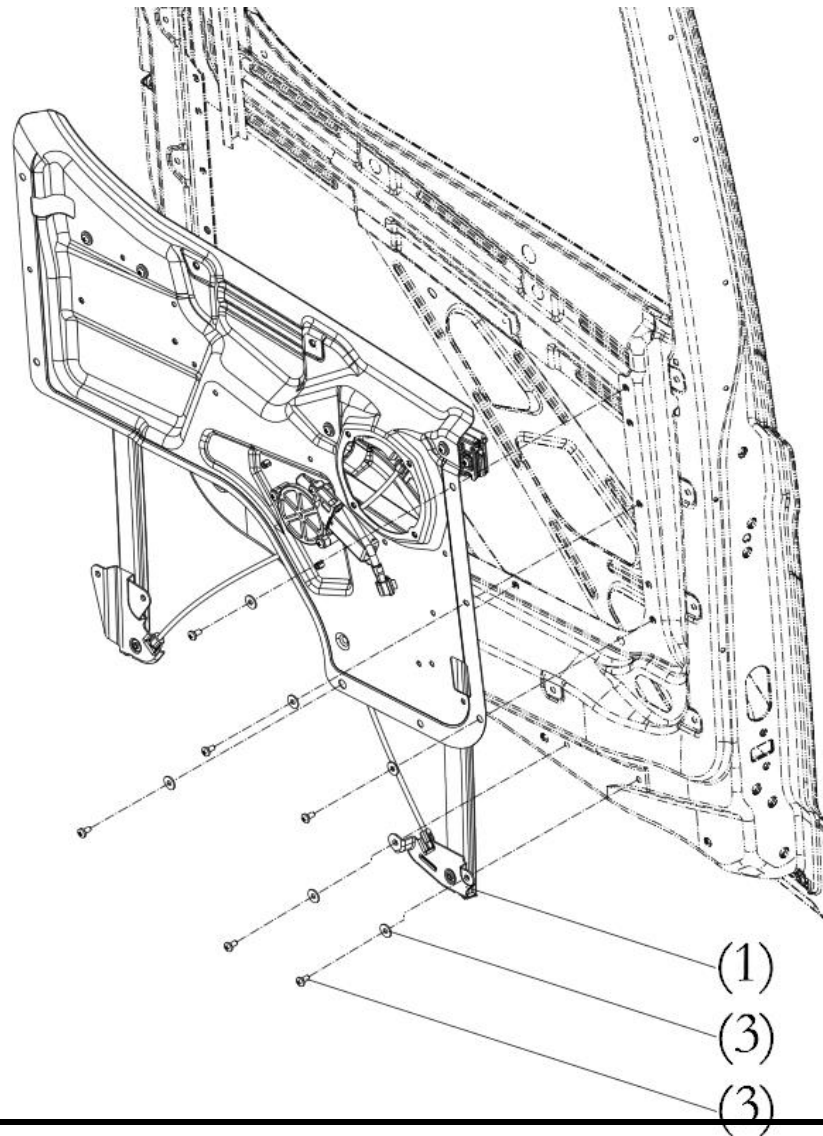
Left door lift module DOOR WINDOW LIFTER_LH



SL

Left door lift module DOOR WINDOW LIFTER_LH

Shandong heavy truck and machinery Co., Ltd



Left door lift module DOOR WINDOW LIFTER_LH

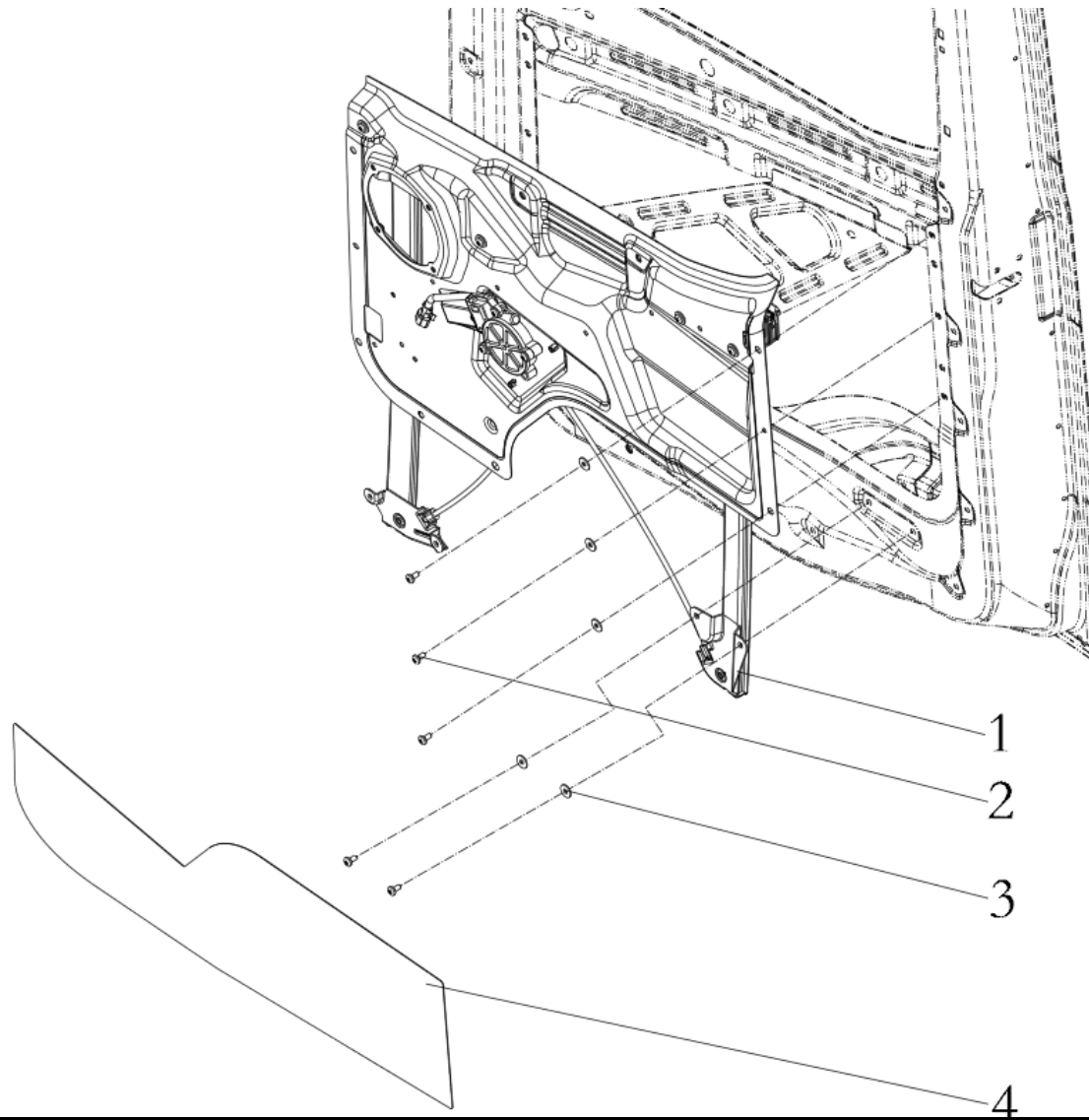
Serial number NO	Part Number Part. No	name Designation	Name	quantity Quantity	Applicable models Suited type	Remark Remark
---------------------	-------------------------	---------------------	------	----------------------	----------------------------------	------------------

Shandong heavy truck and machinery Co., Ltd

Chinese truck parts supplier/Sinotruk/Shacman/FAW/Foton/Beiben/Weichai

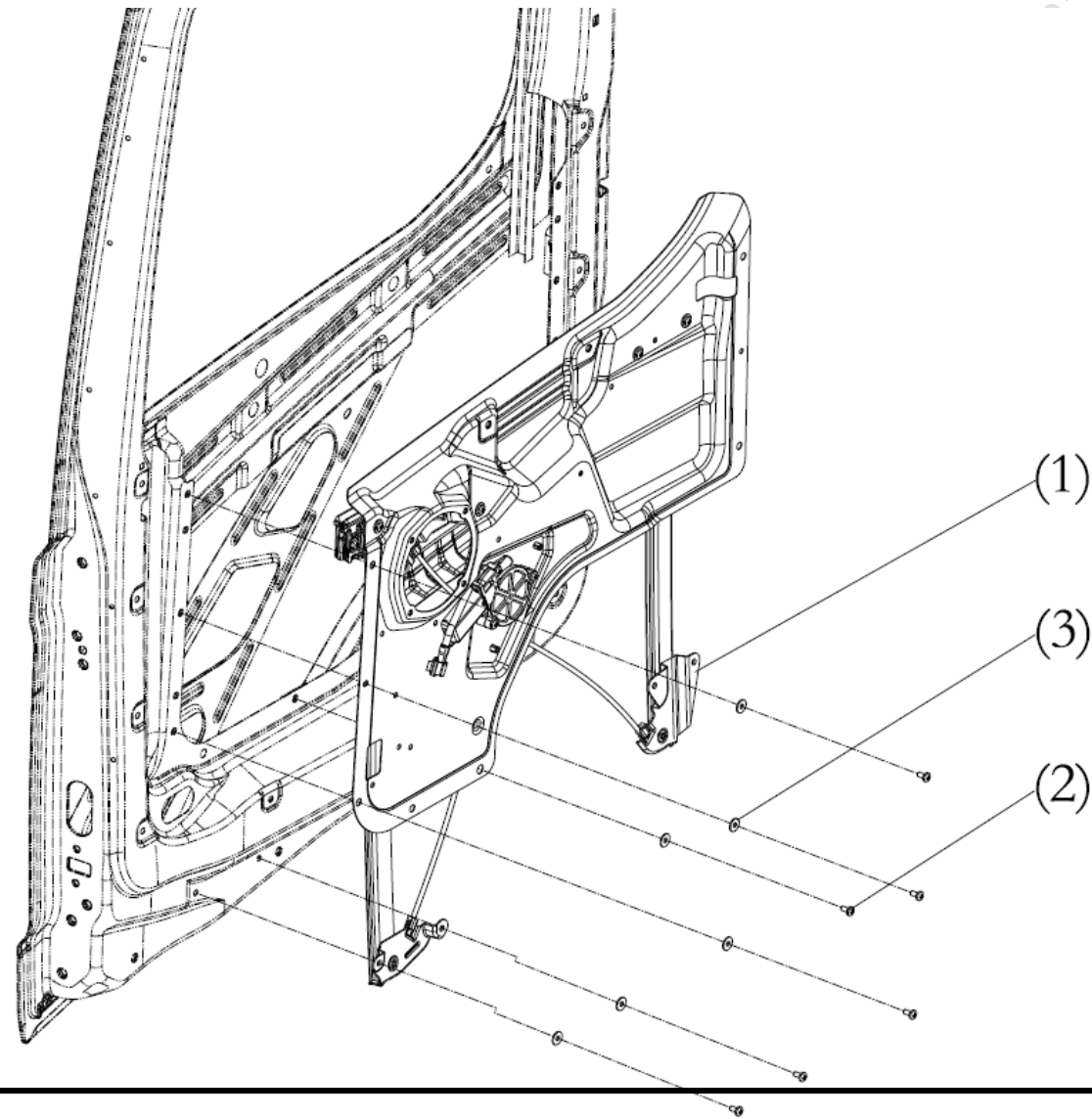
1	DZ16251 33 0	Left door lift module	Door window lifter _LH	1	
2	810	Cross recessed pan head screws	Screw	11	
3	Q2140612	Large washer (galvanized)	Big Washer	11	
4	Q402B06	Left door waterproof membrane	Waterproof_ LH	1	
	DZ16251330057				

Right door lift module DOOR WINDOW LIFTER_RH



Right door lift module DOOR WINDOW LIFTER_RH

Shandong heavy truck and machinery Co., Ltd



SL

Right door lift module DOOR WINDOW LIFTER_RH

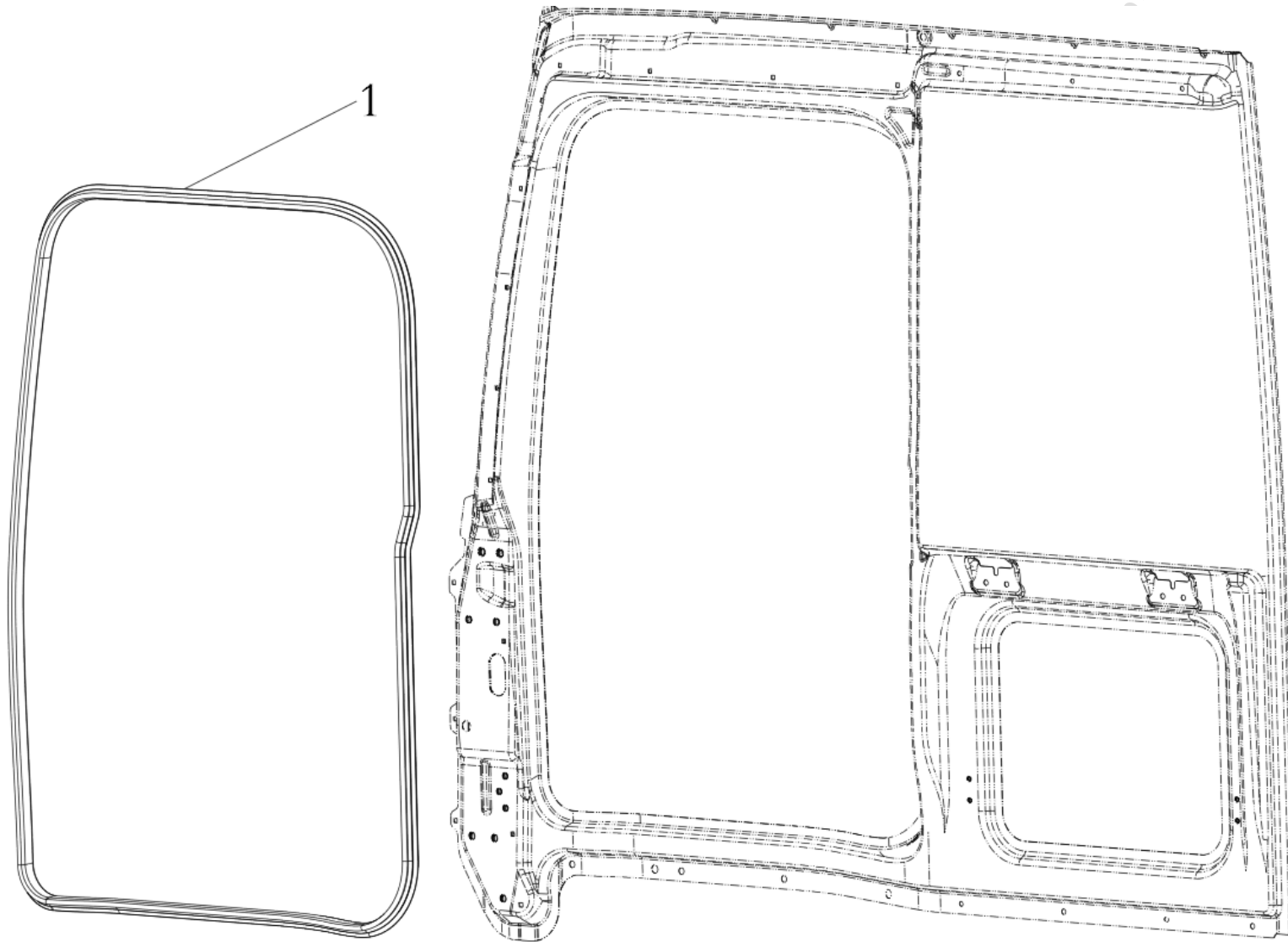
Serial number NO	Part Number Part. No	name Designation	Name	quantity Quantity	Applicable models Suited type	Remark Remark

Shandong heavy truck and machinery Co., Ltd

Chinese truck parts supplier/Sinotruk/Shacman/FAW/Foton/Beiben/Weichai

1	DZ16251 33 0	Right door lift module	Door window lifter _RH	1	
2	820	Cross recessed pan head screws	Screw	11	
3	Q2140612	Large washer (galvanized)	Big Washer	11	
4	Q402B06	Right door waterproof membrane	Waterproof_RH	1	
	DZ16251330058				

DOOR MAIL SEALING_LH



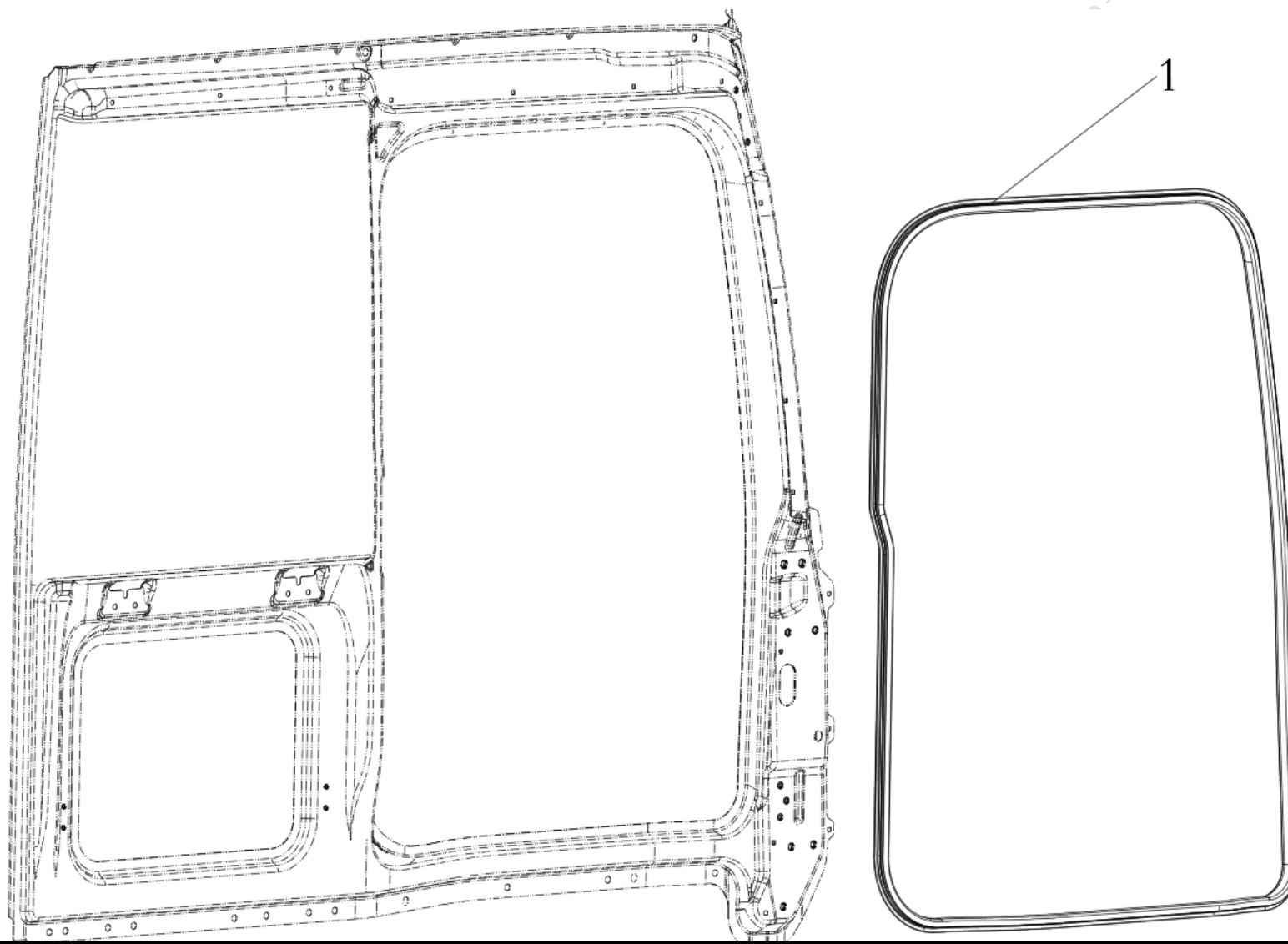
DOOR MAIL SEALING_LH

Serial number NO	Part Number Part. No	name Designation	Name	quantity Quantity	Applicable models Suited type	Remark Remark

Shandong heavy truck and machinery Co., Ltd

1	DZ16251330145	Door frame sealing strip	Door mail sealing	1		
---	---------------	--------------------------	-------------------	---	--	--

DOOR MAIL SEALING_RH



DOOR MAIL SEALING_RH

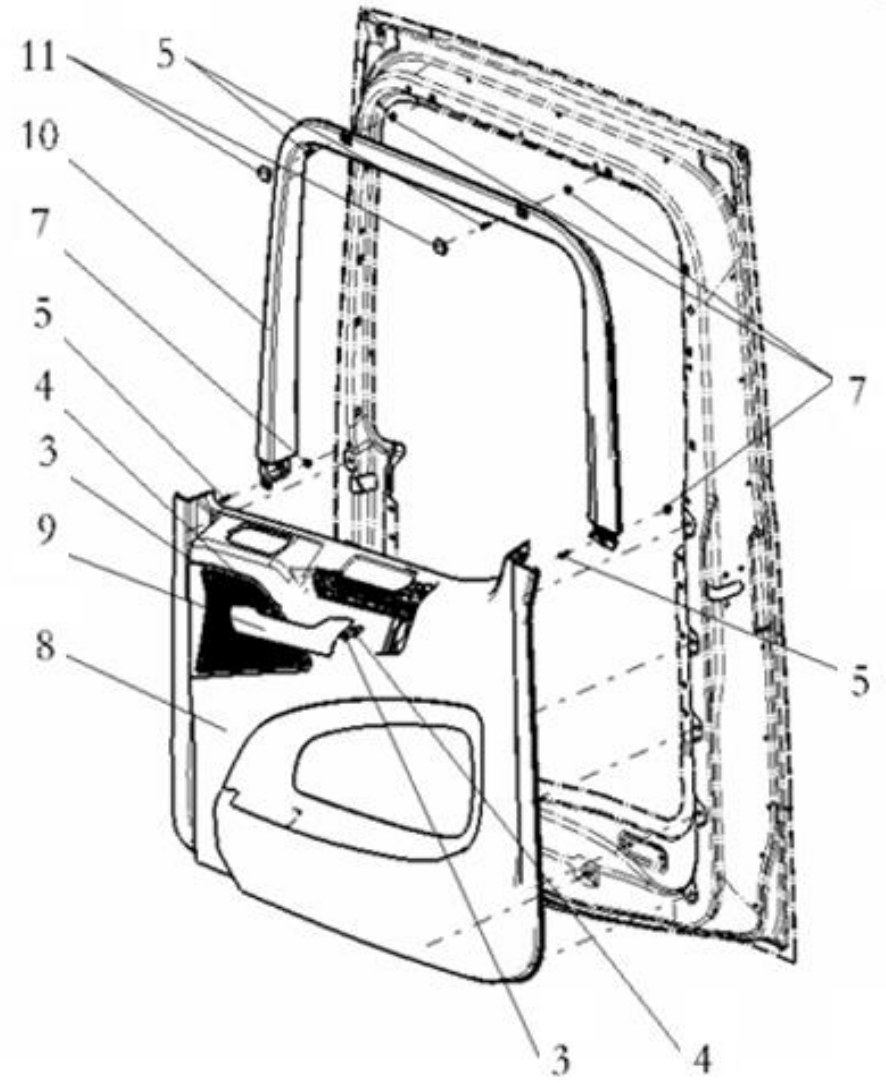
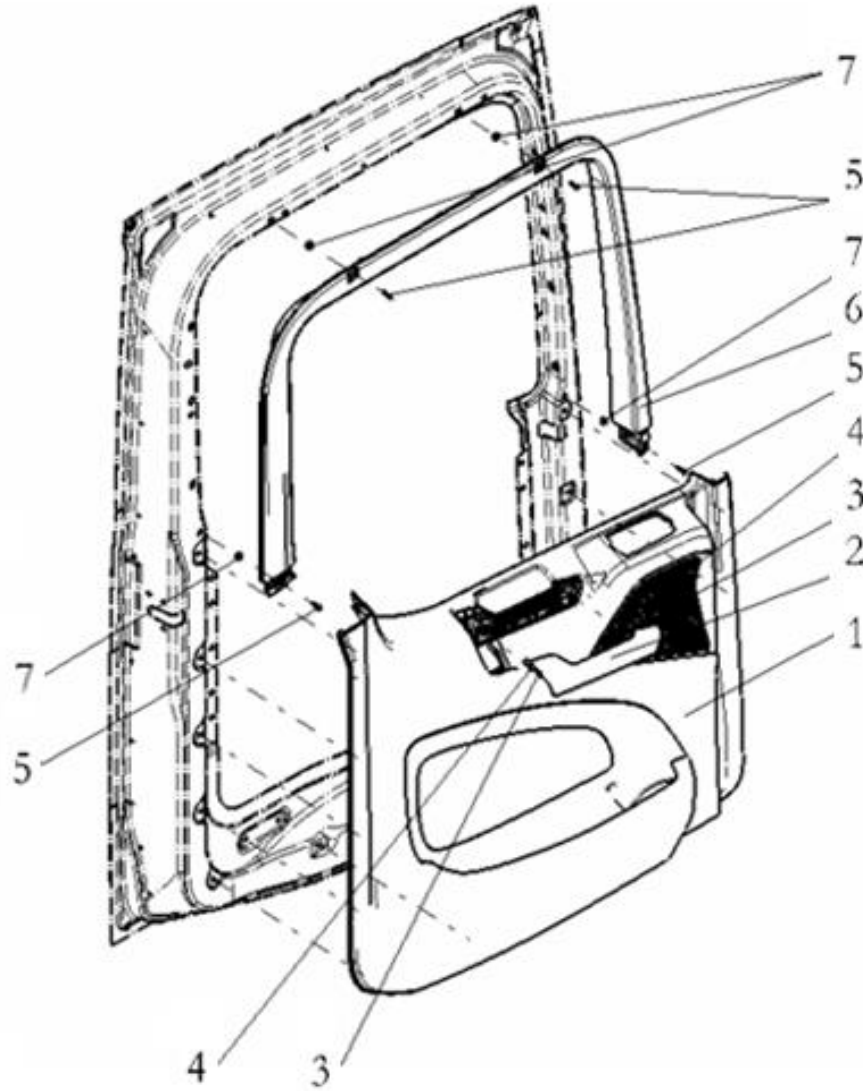
Serial number NO	Part Number Part. No	name Designation	Name	quantity Quantity	Applicable models Suited type	Remark Remark
---------------------	-------------------------	---------------------	------	----------------------	----------------------------------	------------------

Shandong heavy truck and machinery C., Ltd

1	DZ16251330145	Door frame sealing strip	Door mail sealing	1		
---	---------------	--------------------------	-------------------	---	--	--

DOOR TRIM

Shandong heavy truck and machinery Co., Ltd



DOOR TRIM

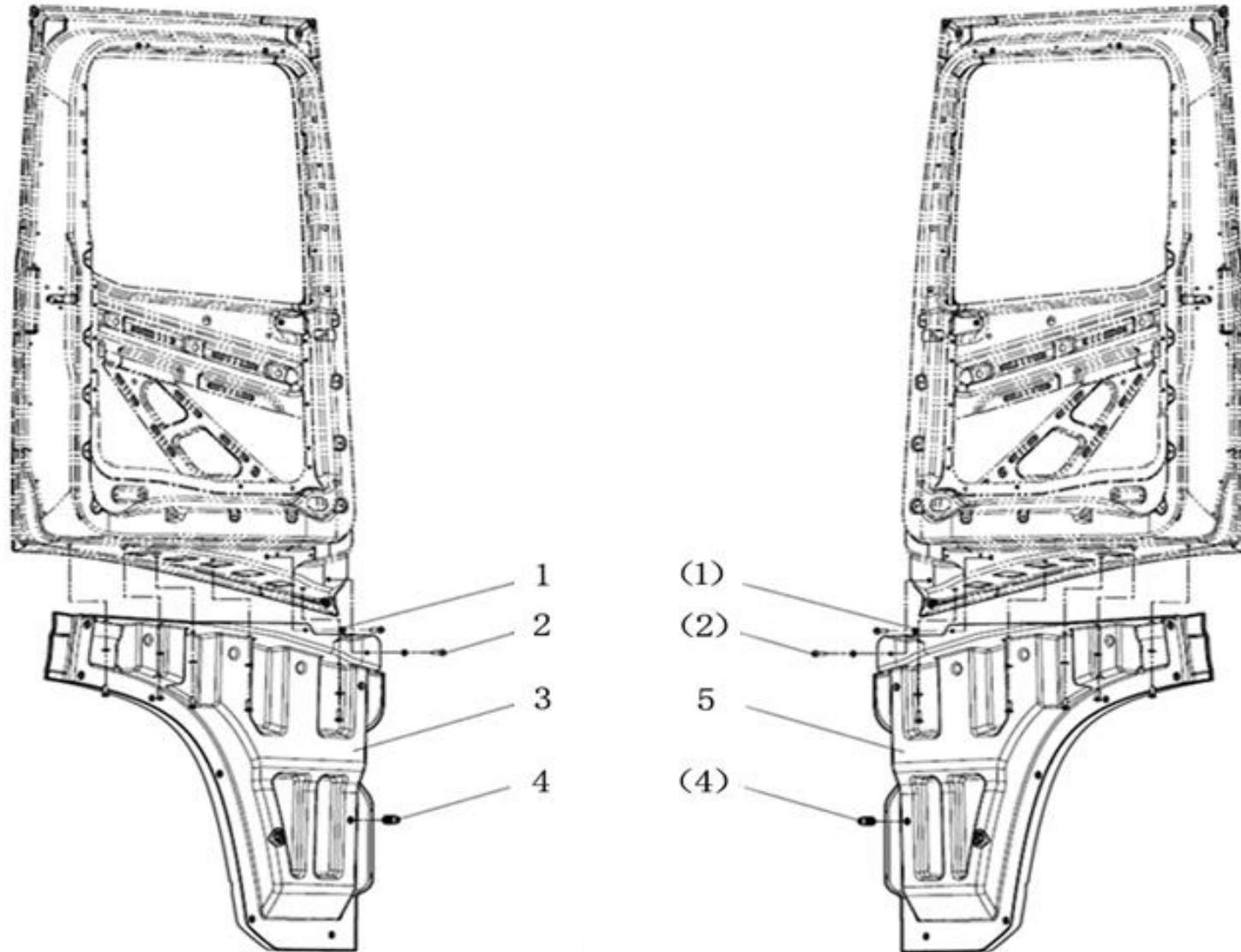
Serial number NO	Part Number Part No.	name Designation	Name	quantity Quantity	Applicable models Suited type	Remark Remark
---------------------	-------------------------	---------------------	------	----------------------	----------------------------------	------------------

Shandong heavy truck and machinery Co., Ltd

Chinese truck parts supplier/Sinotruk/Shacman/FAW/Foton/Beiben/Weichai

1	DZ 16251330061	Left door guard plate	Left door trim assy	1		
2	DZ 16251330077	assembly	Left side inner handle	1		
3	Q2140840	Left door inner handle	Screw	2		
4	Q401B08	cover	Washer	2		
5	Q2714219	Cross recessed pan head	Oval-head self-tapping	4		
6	DZ16251330065	screws	screw	1		
7	DZ14251970009	Flat washer (galvanized)	Left upper cover	4		
8	DZ16251330062	Cross recessed pan head	P lastic push pin	1		
9	DZ16251330078	self tapping screws	Right door trim assy	1		
10	DZ16251330066	Left door frame upper	Right side inner handle	1		
11	DZ16251330090	decorative piece	Right upper cover P lug	2		
		Plastic clip				
		Right door guard plate				
		assembly				
		Right door inner handle				
		cover				
		Right door frame upper				
		decorative piece				
		Upper decorative part				
		cover				

Door lower trim panel STEP COVER



SK

Door lower trim panel STEP COVER

Serial number	Part Number Part No.	name Designation	Name	quantity Quantity	Applicable models	Remark Remark
---------------	-------------------------	---------------------	------	----------------------	----------------------	------------------

Shandong heavy truck and machinery Co., Ltd

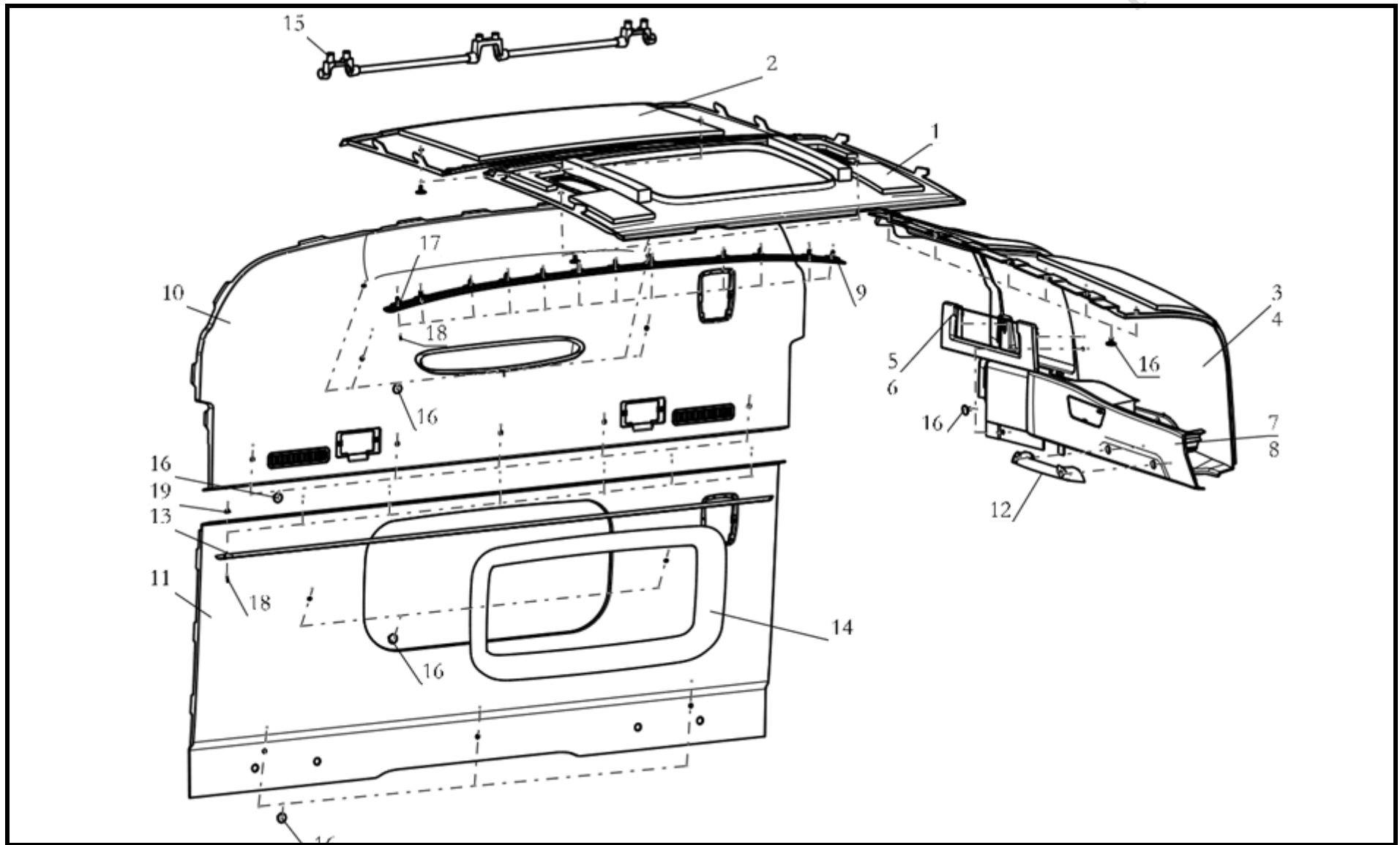
Chinese truck parts supplier/Sinotruk/Shacman/FAW/Foton/Beiben/Weichai

1	Q401B08F60	Cross recessed pan head	Screw	12		
2	Q2140825F60	screws	Washer	12		
3	DZ16251330151	Flat washers	STEP COVER LH	1		
4	DZ16251330157	Left door lower	HEEL	2		
5	DZ1625133015 2	decorative panel assembly Door lower trim pad Right door lower decorative panel assembly	STEP COVER RH	1		

Shandong heavy truck and machinery Co., Ltd

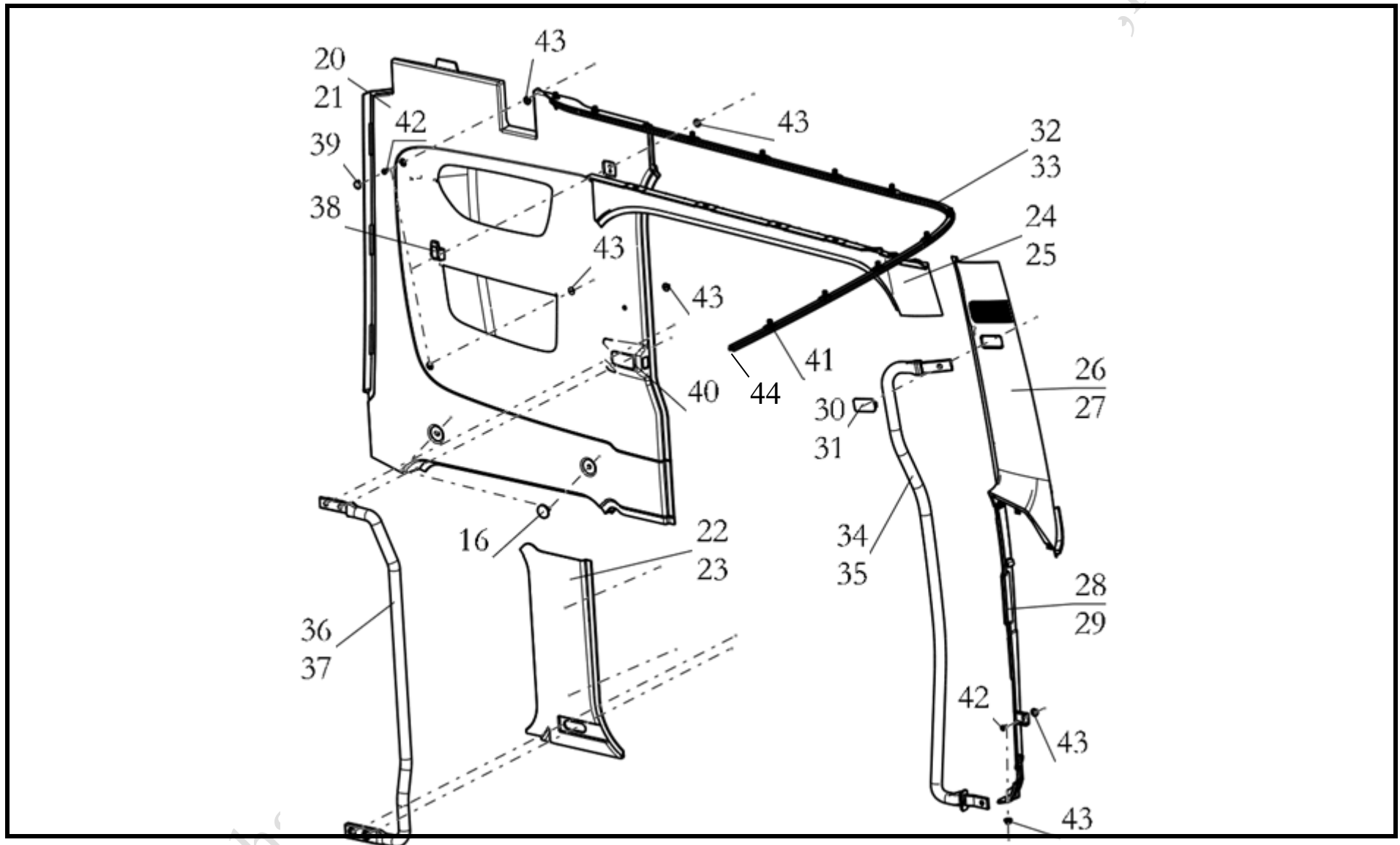
CAB6 INTERIOR ASSY

Shandong heavy truck and machinery Co., Ltd



CAB6 INTERIOR ASSY

Shandong heavy truck and machinery Co., Ltd



CAB6 INTERIOR ASSY

Serial No.	Part No.	Name	Name	Quantity	Suitable type	Remark
1	DZ16251611011	Front center roof lining	Front roof trim	1		
2	DZ16251611021	Rear center roof lining	R ear roof trim	1		
3	DZ16251611030	Left side roof lining assembly	Side roof trim LH	1		
4	DZ16251611040	Right side roof lining assembly	Side roof trim RH	1		
5	DZ16251611050	Left side net bag assembly	N et bag LH assy	1		
6	DZ16251611060	Right net bag assembly	N et bag RH assy	1		
7	DZ16251611070	Left top storage box assembly	Side roof storage LH assy	1		
8	DZ16251611080	Right top storage box assembly	Side roof storage RH assy	1		
9	DZ16251611090	Sleeper rail assembly	Be r th curtain rail assy	1		
10	DZ16251611110	Rear headlining assembly	R ear trim upper assy	1		
11	DZ16251611121	Back lining	R ear trim lower	1		
12	DZ16251611250	Inner handle	Inside handle	2		
13	DZ16251611190	Rear window curtain rail	R ear window curtain rail	1		
14	DZ16251611260	Rear window trim frame	R ear window cover	1		
15	DZ16251611270	Towel bar assembly	T owl bar	1		
16	DZ16251611012	Snap Buttons	Trim clip	38		

Chinese truck parts supplier/Sinotruk/Shacman/FAW/Foton/Beiben/Weichai

17	DZ16251611013	Guide rail buckle	Curtain rail clip	13		
18	Q2712919	Cross recessed pan head self tapping screws	screw	twenty one		
19	DZ16251611016	Plastic nut seat	P lastic nut	7		
20	DZ16251611130	Left side panel lining assembly	Side trim LH assy	1		
twenty one	DZ16251611140	Right side lining assembly	Side trim RH assy	1		
twenty two	DZ16251611150	Left B-pillar lower trim assembly	B pillar inner cover lower LH	1		
twenty three	DZ16251611160	Right B-pillar lower trim assembly	B pillar inner cover lower RH	1		
Serial No.	Part No.	Name	Name	Quantity	Suitable type	Remark Remark
twenty four	DZ16251611170	Left door frame upper trim assembly	Door cover upper LH assy	1		
25	DZ16251611180	Right door frame upper trim assembly	Door cover upper RH assy	1		
26	DZ16251611210	Left A-pillar upper trim assembly	A pillar inner cover upper LH	1		
27	DZ16251611220	Right A-pillar upper trim assembly	A pillar inner cover upper RH assy	1		
28	DZ16251611213	Left A-pillar lower trim	A pilar inner cover lower LH	1		

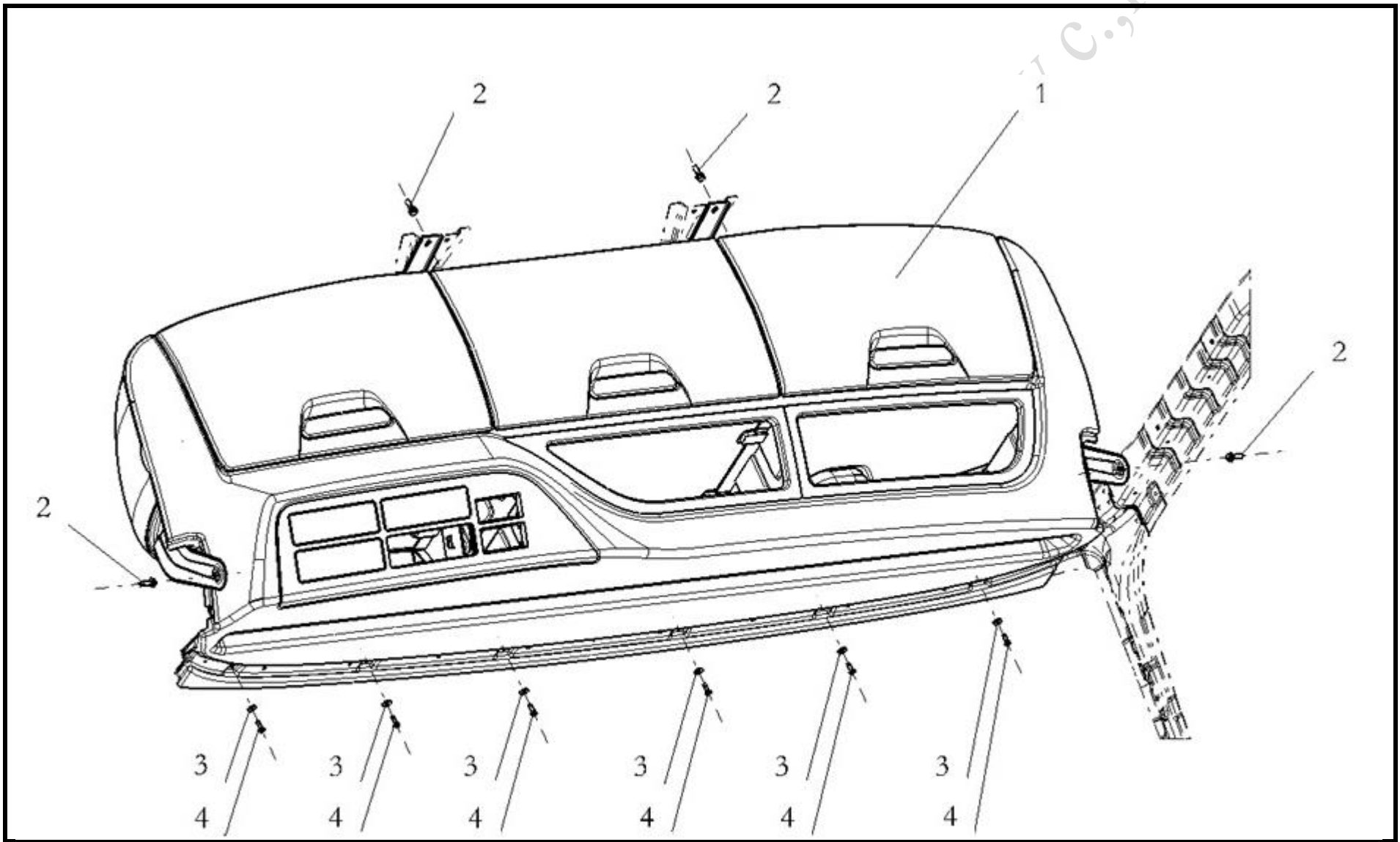
Chinese truck parts supplier/Sinotruk/Shacman/FAW/Foton/Beiben/Weichai

29	DZ16251611224	Right A-pillar lower trim	A pilar inner cover lower RH	1	
30	DZ16251611212	Left A-pillar upper trim cover	A pillar inner cover upper plug LH	1	
31	DZ16251611226	Right A-pillar upper trim cover	A pillar inner cover upper plug RH	1	
32	DZ16251611230	Left circular curtain rail assembly	Side curtain rail LH assy	1	
33	DZ16251611240	Right circular curtain rail assembly	Side curtain rail RH assy	1	
twenty three	DZ16251611291	Left front boarding handrail	Front step handle LH	1	
35	DZ16251611292	Right front armrest	Front step handle RH	1	
36	DZ16251611293	Left rear boarding handrail	R ear step handle LH	1	
37	DZ16251611294	Right rear armrest	R ear step handle RH	1	
38	DZ16251611280	Coat hook	C oat hook	2	
39	DZ16251611134	Side storage box cover	Side trim plug	2	
40	DZ16251611135	Side storage box cover	Side trim plug	4	
41	DZ16251611172	Guide rail buckle	Curtain clip	twenty two	
42	Q2714816	Cross recessed pan head self tapping screws	screw	9	
43	DZ16251611017	Plastic nuts	P lastic nut	9	
44	DZ16251611233	Ring rail joint	Curtain rail cover	1	

--	--	--	--	--	--	--	--

CAB6 overhead box **Overhead Storage assy**

Shandong heavy truck and machinery Co., Ltd



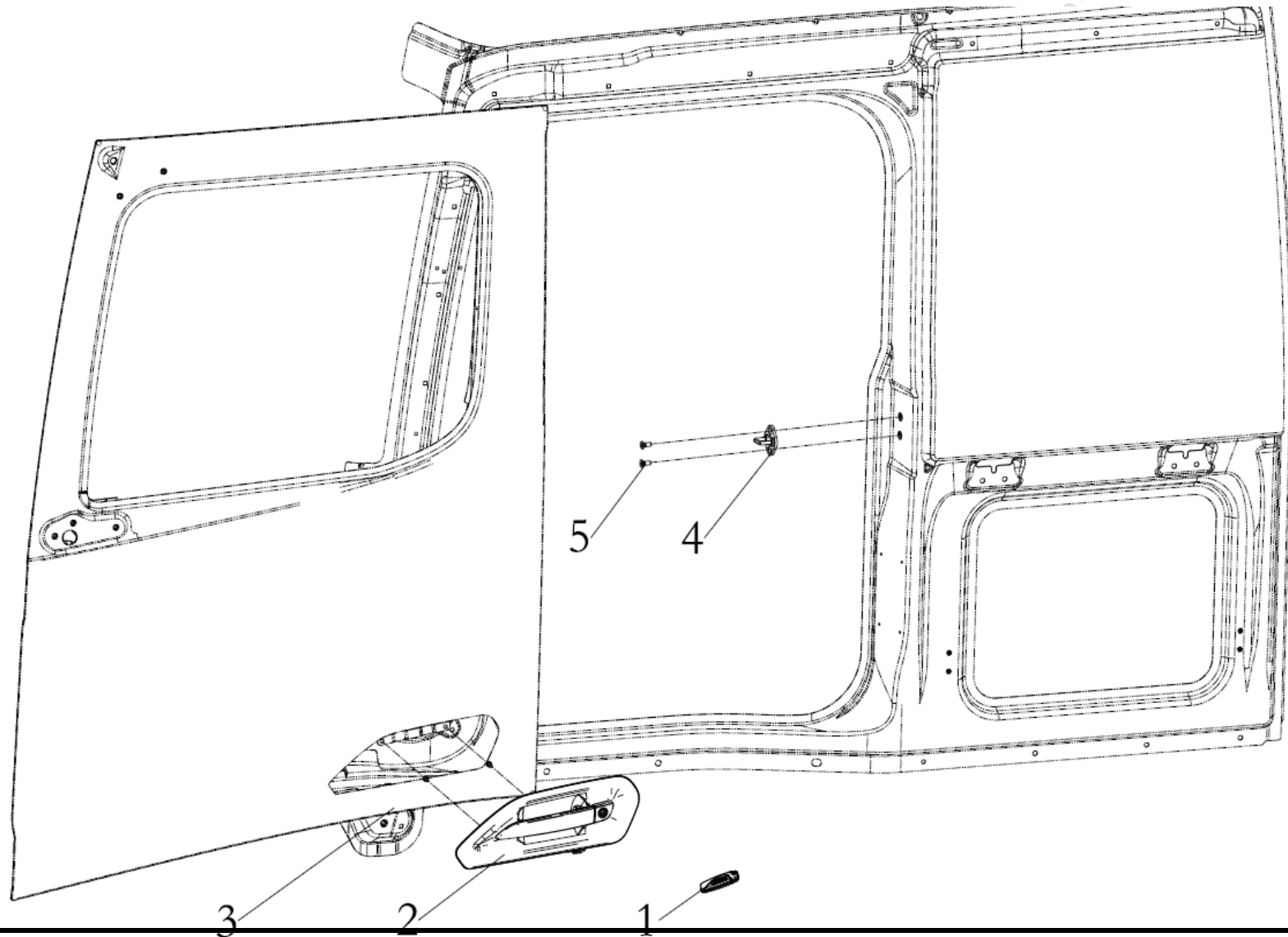
CAB6 overhead box Overhead Storage assy

Serial No.	Part No.	Name	Name	Quantity	Suitable type	Remark Remark
1	DZ16251611400	Elevated box assembly	Overhead Storage assembly	1		
2	Q1840825	Hexagonal flange bolts (galvanized)	Blot	4		
3	Q402B06	Large washer (galvanized)	Washer	6		
4	Q2140620	Cross recessed pan head screws	Screw	6		

Shandong heavy truck and machinery Co., Ltd

LEFT DOOR LOCK SYSTEM

Shandong heavy truck and machinery C., Ltd



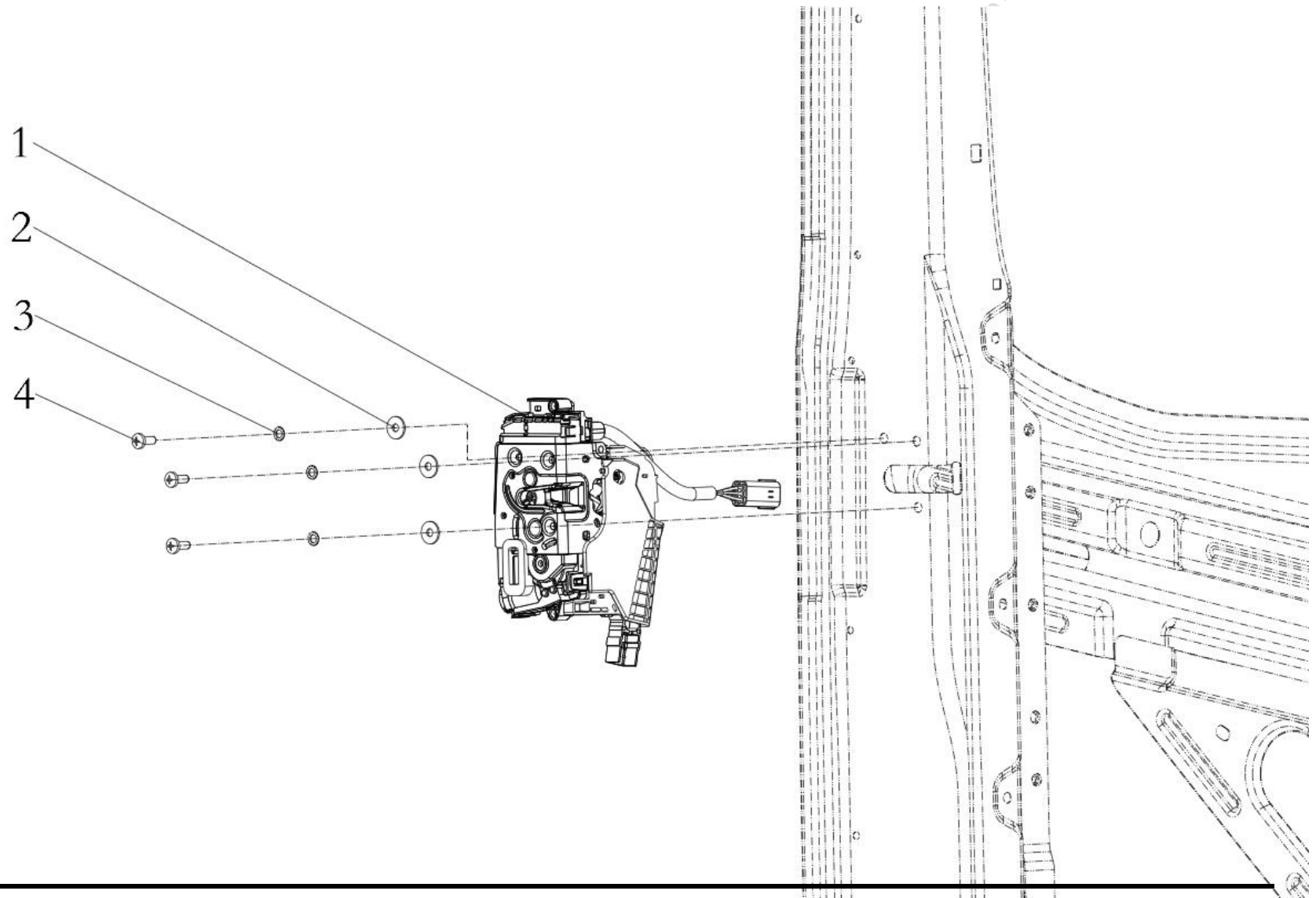
LEFT DOOR LOCK SYSTEM

Serial number NO	Part Number Part. No	name Designation	Name	quantity Quantity	Applicable models Suited type	Remark Remark

Shandong heavy truck and machinery Co., Ltd

1	DZ162 31340140	Central control key (one-button start)	Remote control key	2		
2	DZ162 31340111	Left door exterior handle	Door outer handle_ LH	1		
3	Q 150B0610	Hexagon head bolts (galvanized)	Hex bolt	2		
4	DZ16231340119	Door lock	Lock catch	1		
5	Q2540820S	Cross recessed countersunk head screw	Screw	2		

LEFT DOOR LOCK SYSTEM



SL

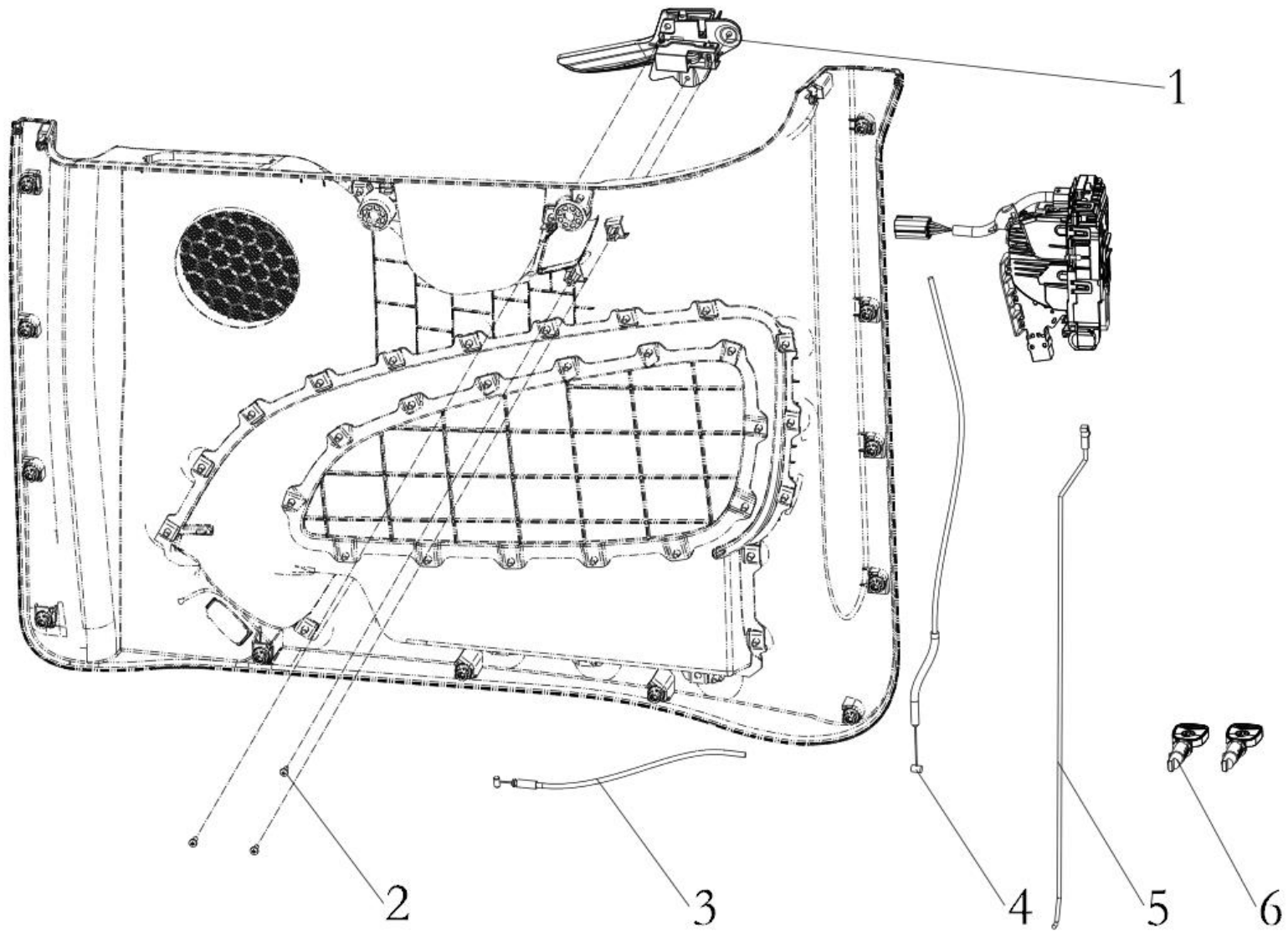
LEFT DOOR LOCK SYSTEM

Serial number NO	Part Number Part. No	name Designation	Name	quantity Quantity	Applicable models Suited type	Remark Remark
---------------------	-------------------------	---------------------	------	----------------------	----------------------------------	------------------

Shandong heavy truck and machinery Co., Ltd

1	DZ162 31340115	Left door lock body	Door Lock_ LH	1	
2	Q 402B06	Large washer (galvanized)	Big Washer	3	
3	Q41206	External Serrated Lock Washers	Lock Washer	3	
4	Q2140616	Cross recessed pan head screws	Screw	3	

LEFT DOOR LOCK SYSTEM



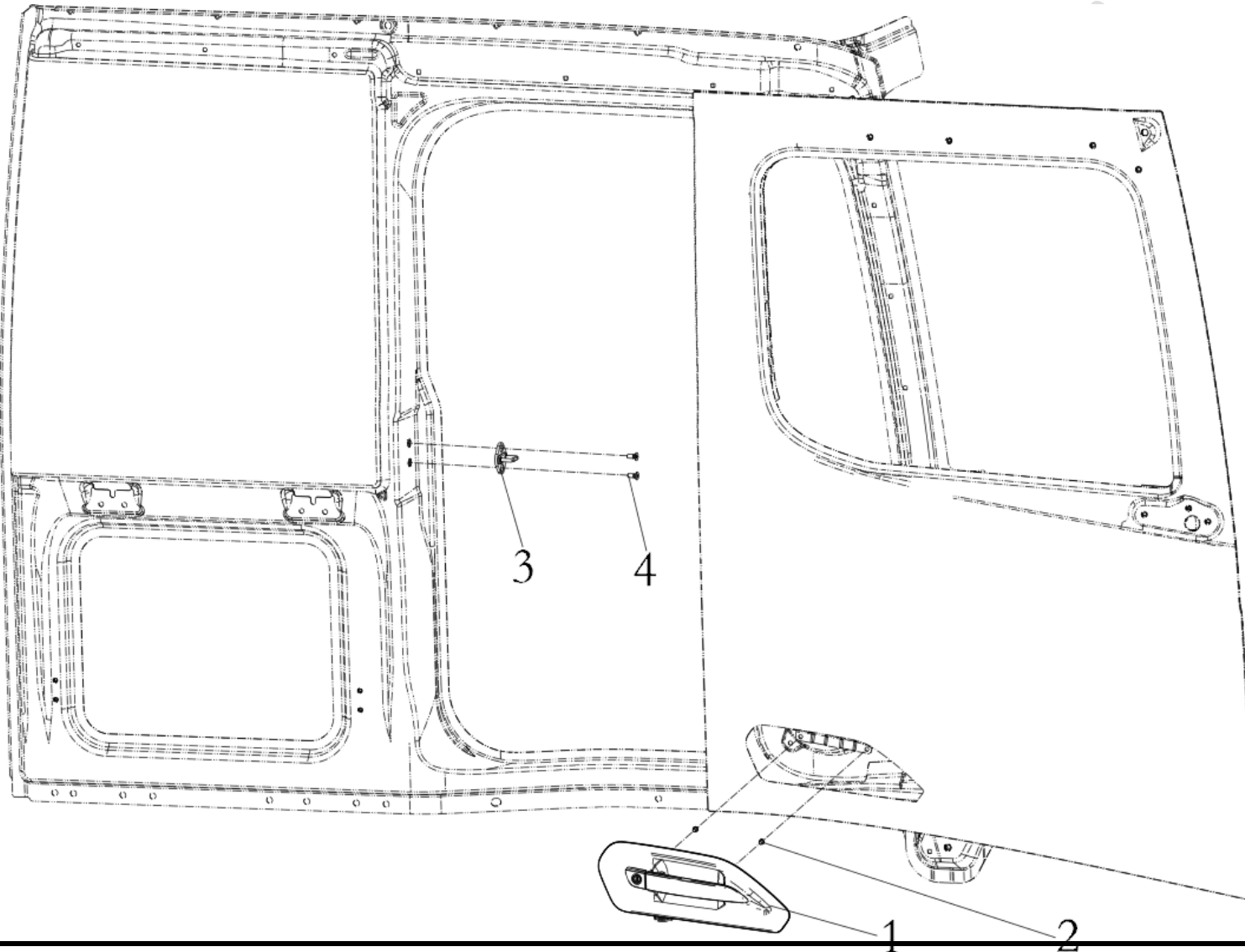
LEFT DOOR LOCK SYSTEM

Serial number NO	Part Number Part. No	name Designation	Name	quantity Quantity	Applicable models Suited type	Remark Remark
---------------------	-------------------------	---------------------	------	----------------------	----------------------------------	------------------

Shandong heavy truck and machinery Co., Ltd

1	DZ162 31340113	Left door inner handle	Door inner handle_ LH	1	
2	Q 2714213	Cross recessed pan head self tapping	Screw	3	
3	DZ16251340123	screws	Door Inner guide Cable	1	
4	DZ16251340121	Inner opening wire	Door Out guide Cable	1	
5	DZ16251340117	External opening wire	Door Lock Guide Plate_LH	1	
6	DZ96189550020	Left door lock cylinder lever	Lock core	2	
		Lock cylinder assembly			

RIGHT DOOR LOCK SYSTEM



SL

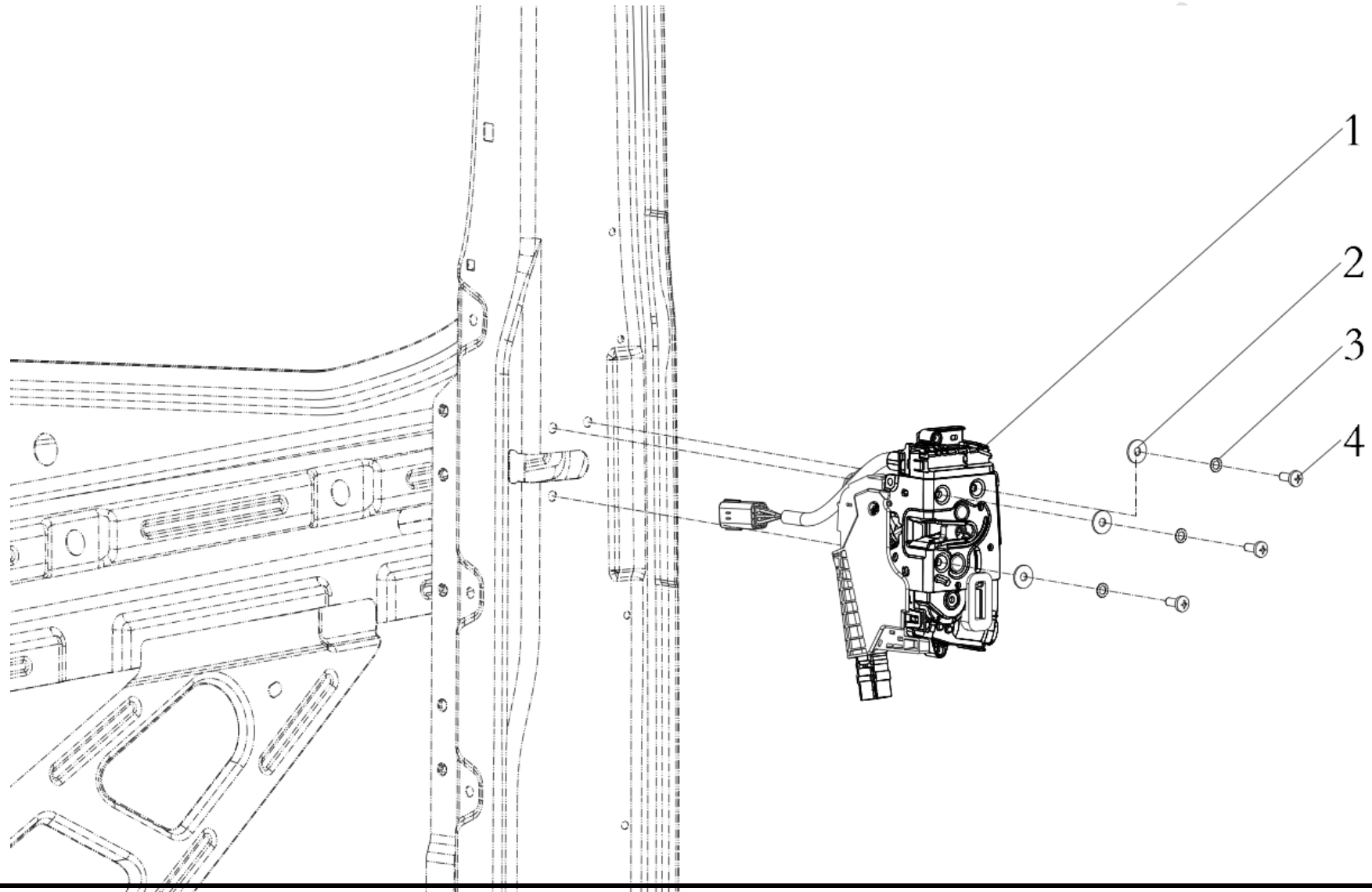
RIGHT DOOR LOCK SYSTEM

Serial number NO	Part Number Part. No	name Designation	Name	quantity Quantity	Applicable models Suited type	Remark Remark

Shandong heavy truck and machinery Co., Ltd

1	DZ162 31340112	Right door exterior handle	Door outer handle_ RH	1	
2	Q 150B0610	Hexagon head bolts (galvanized)	Hex bolt	2	
3	DZ16231340119	Door lock	Lock catch	1	
4	Q2540820S	Cross recessed countersunk head screw	Screw	2	

RIGHT DOOR LOCK SYSTEM



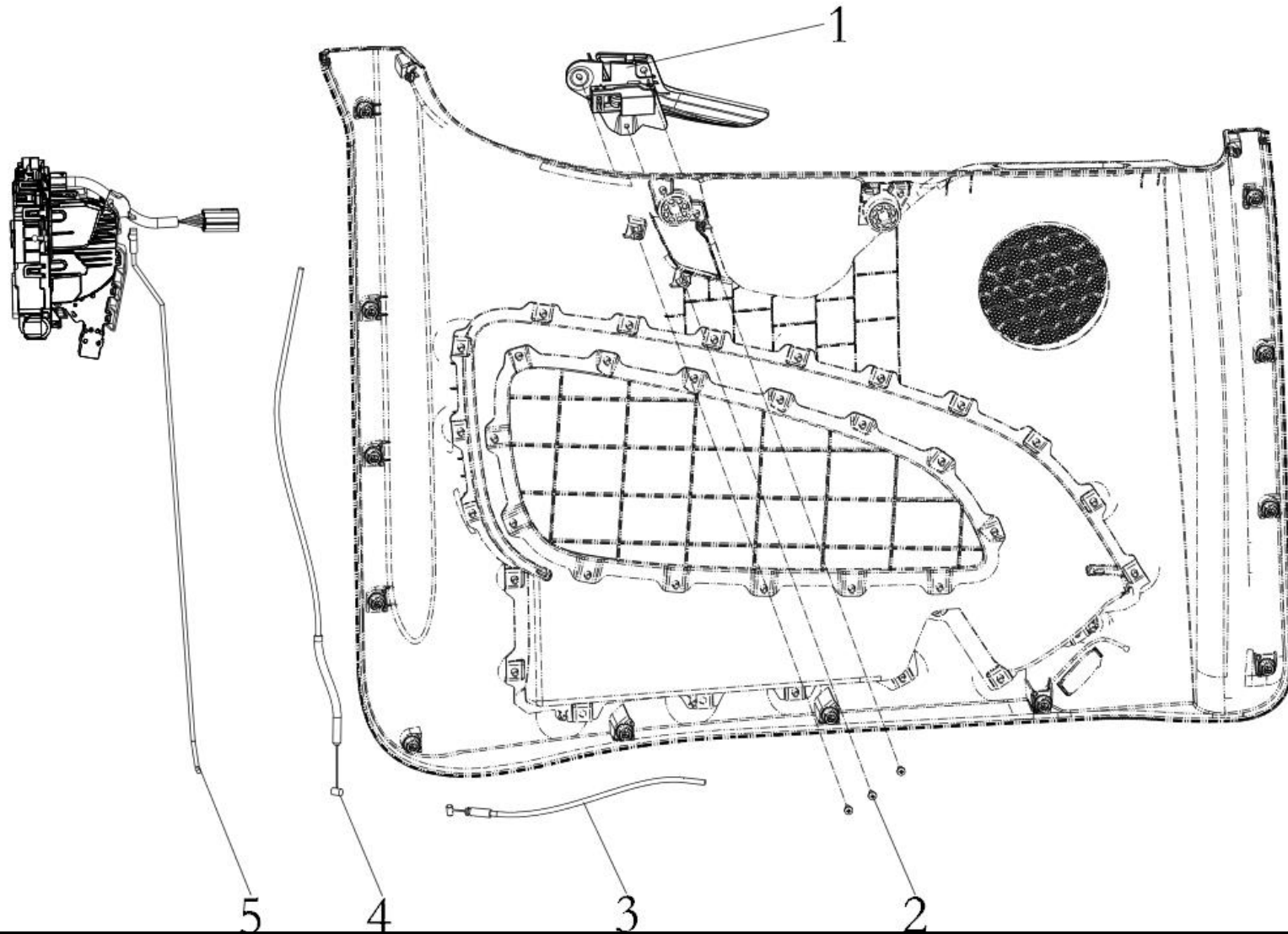
RIGHT DOOR LOCK SYSTEM

Serial number NO	Part Number Part. No	name Designation	Name	quantity Quantity	Applicable models Suited type	Remark Remark

Shandong heavy truck and machinery Co., Ltd

1	DZ162 31340116	Right door lock body	Door Lock_ RH	1	
2	Q 402B06	Large washer (galvanized)	Big Washer	3	
3	Q41206	External Serrated Lock Washers	Lock Washer	3	
4	Q2140616	Cross recessed pan head screws	Screw	3	

RIGHT DOOR LOCK SYSTEM



RIGHT DOOR LOCK SYSTEM

Serial number NO	Part Number Part. No	name Designation	Name	quantity Quantity	Applicable models Suited type	Remark Remark
---------------------	-------------------------	---------------------	------	----------------------	----------------------------------	------------------

Shandong heavy truck and machinery Co., Ltd

1	DZ162 31340114	Right door inner handle	Door inner handle_ RH	1		
2	Q 2714213	Cross recessed pan head self tapping	Screw	3		
3	DZ16251340123	screws	Door Inner guide Cable	1		
4	DZ16251340121	Inner opening wire	Door Out guide Cable	1		
5	DZ1625134011 8	External opening wire	Door Lock guide Plate_ RH	1		
		Right door lock cylinder lever				

Rear cabin suspension

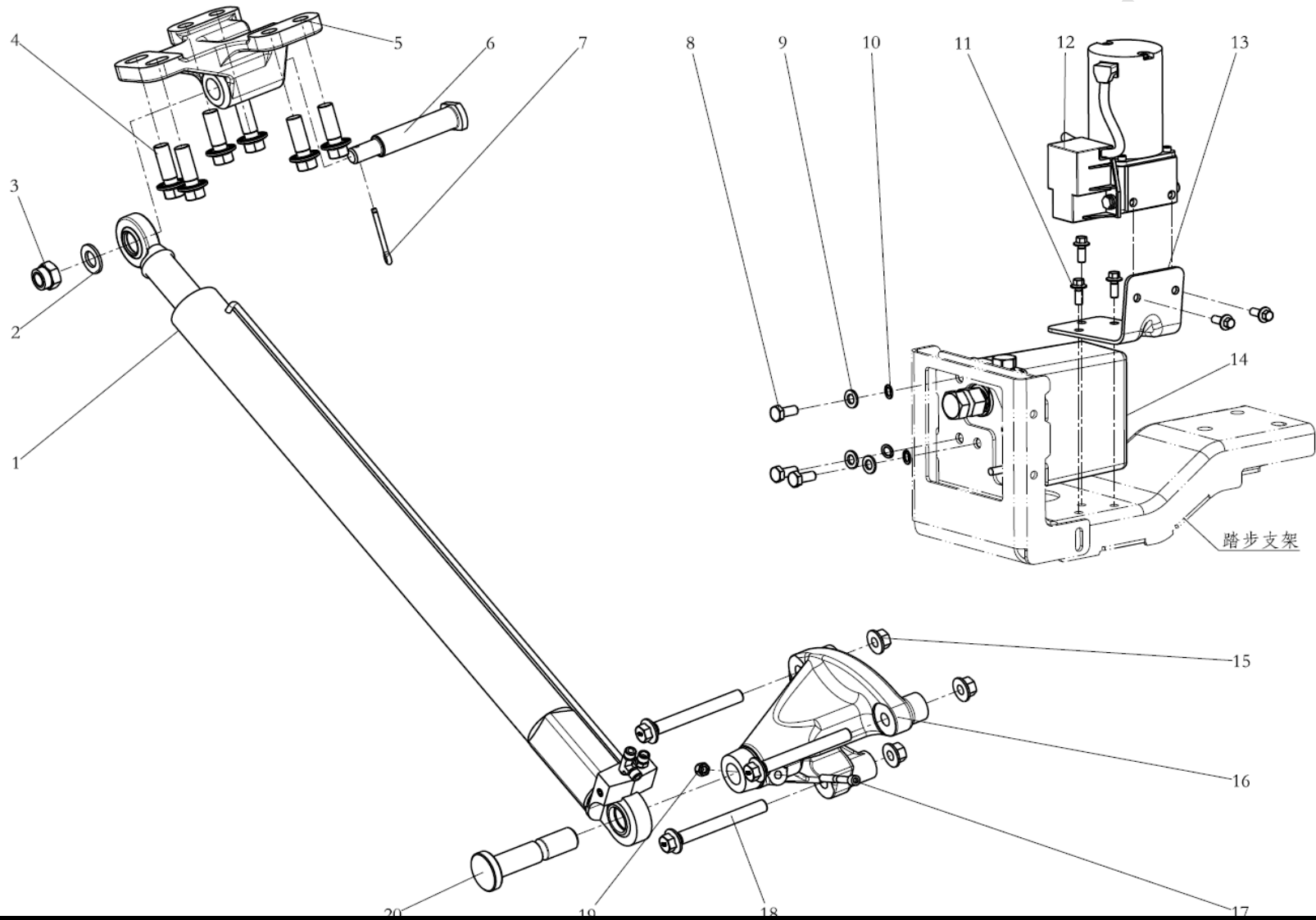
Rear cabin suspension

Serial number NO	Part Number Part No.	name Designation	Name	quantity Quantity	Applicable models Suited type	Remark Remark
---------------------	-------------------------	---------------------	------	----------------------	----------------------------------	------------------

Shandong heavy truck and machinery C., Ltd

1	06.11251.2005	Hexagonal nut M7.112.40 M14*1.5-10-MAN183B1 with flange	Hex lock nut	10	
2	Q1811490TF3	Hexagonal Flange Face Bearing Toothed	Hex screw	2	
3	DZ16251444065	Bolts	Air spring	2	
4	Q1811480TF3	Integrated air spring damper	Hex screw	2	
5	DZ16251443040	assembly/rear	Lock	2	
6	Q18114140TF3	Hexagon flange bearing toothed bolts -	Hex screw	2	
7	Q1811640TF3	fine pitch	Hex screw	8	
8	DZ16251443022	Hydraulic lock assembly	Rear bracket right	1	
9	DZ16251443030	Hexagon flange bearing toothed bolts -	Bushing	2	
10	DZ16251443012	fine pitch	Front bracket right	1	
11	DZ16251443033	Hexagonal Flange Face Bearing Toothed	Rubber	2	
12	190003888459	Bolts	Lock nut	2	
13	DZ16251443050	Right rear bracket	Beam bracket	1	
14	Q151B1690TF3	Sleeve	Hex screw	2	
15	DZ16251443021	Right front bracket	Rear bracket left	1	
16	D	Locking bushing assembly	Front bracket left	1	
17	Z16251443011	Self-locking nuts	Hex screw	4	
	Q1811440TF3	Gantry assembly			
		Hexagon head bolts-fine thread			
		Left rear bracket			
		Left front bracket			
		Hexagon head bolts-fine thread			

Cabin tilting system



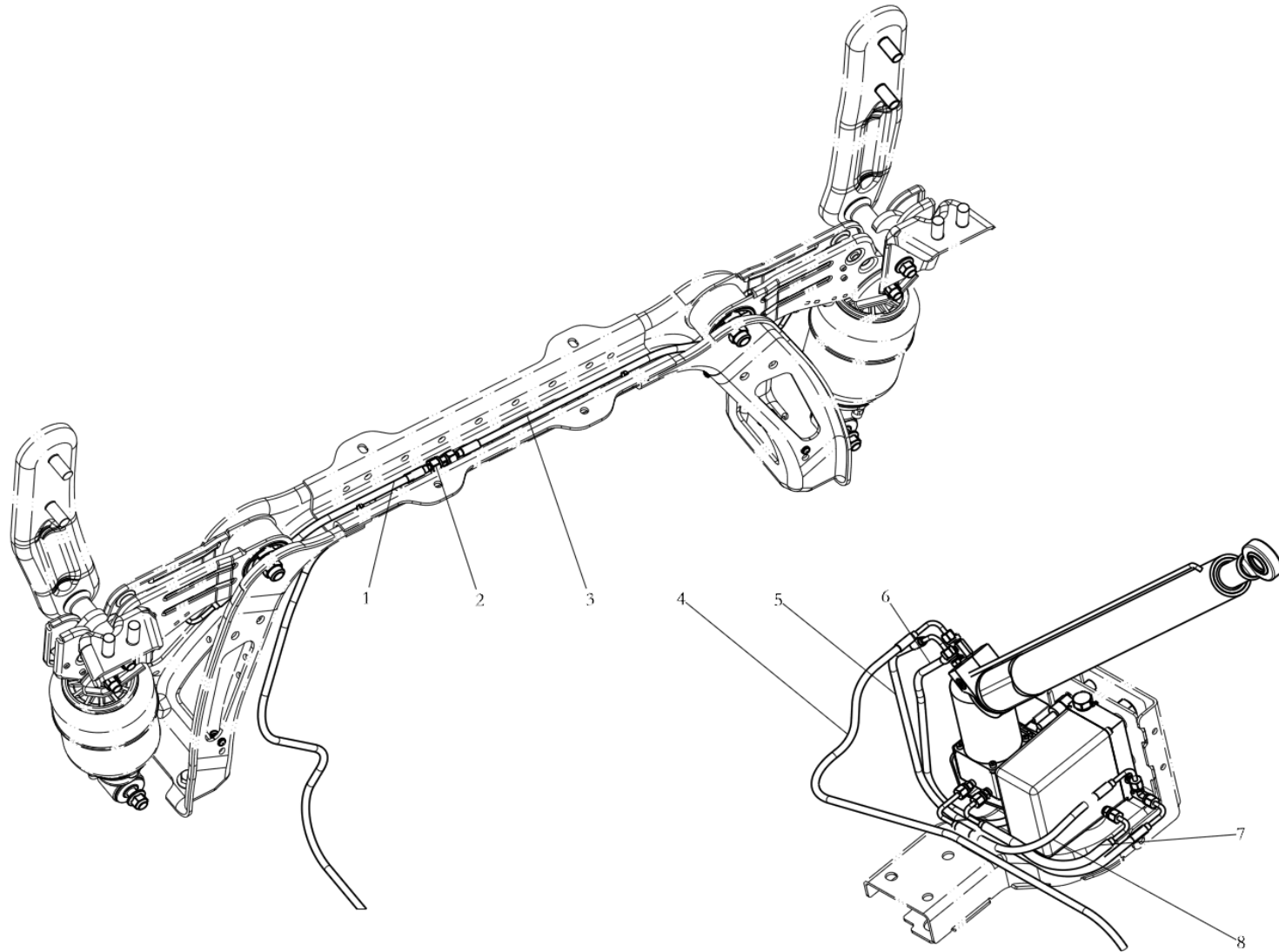
tilting system

Serial number NO	Part Number Part No.	name Designation	Name	quantity Quantity	Applicable models Suited type	Remark Remark
---------------------	-------------------------	---------------------	------	----------------------	----------------------------------	------------------

Shandong heavy truck and machinery Co., Ltd

1	DZ9X189821030	Flip cylinder assembly/X	Hydraulic cylinder	1	
2	Q401B18	Flat washer (galvanized)	Washer	1	
3	1 90003888626	Self-locking nuts	Lock nut	1	
4	Q1811645TF3	Hexagon flange bearing toothed bolts	H ex screw	6	
5	DZ9X189821011	- fine pitch	Cabin bracket	1	
6	D Z9X259821034	Cylinder upper bracket	Hinge pin	1	
7	Q5005050	Pin	Cotter pin	1	
8	Q150B1022T1F3	Split pin	H ex screw	3	
9	Q401B10	Hexagon head bolts	Washer	3	
10	Q40310	Flat washer (galvanized)	Spring washer	3	
11	Q1800820	Spring washers	H ex screw	5	
12	DZ9X189822050	Hexagonal flange bearing toothed	Electromotor	1	
13	DZ9X189821032	bolts (galvanized)	E lectromotor bracket	1	
14	DZ9X189822040	Motor assembly	Hydraulic pump	1	
15	06.11251.2005	Motor bracket	H ex lock nut		
		Electric pump assembly			
16	D Z9X189821021	Hexagonal nut M7.112.40	C hassis bracket	1	
17	Q 218B0860	M14*1.5-10-MAN183B1 with flange	Cylinder crew	1	
18	Q18114120TF3	Cylinder lower bracket	H ex screw	3	
19	Q33208T2F3	Hexagon socket head screws	Lock nut	1	
20	DZ9X259821033	Hexagon flange bearing toothed bolts	Hinge pin	1	
		- fine pitch			
		Type 2 all metal hexagon lock nut			
		Lower bracket pin			

Cabin tilting pipe



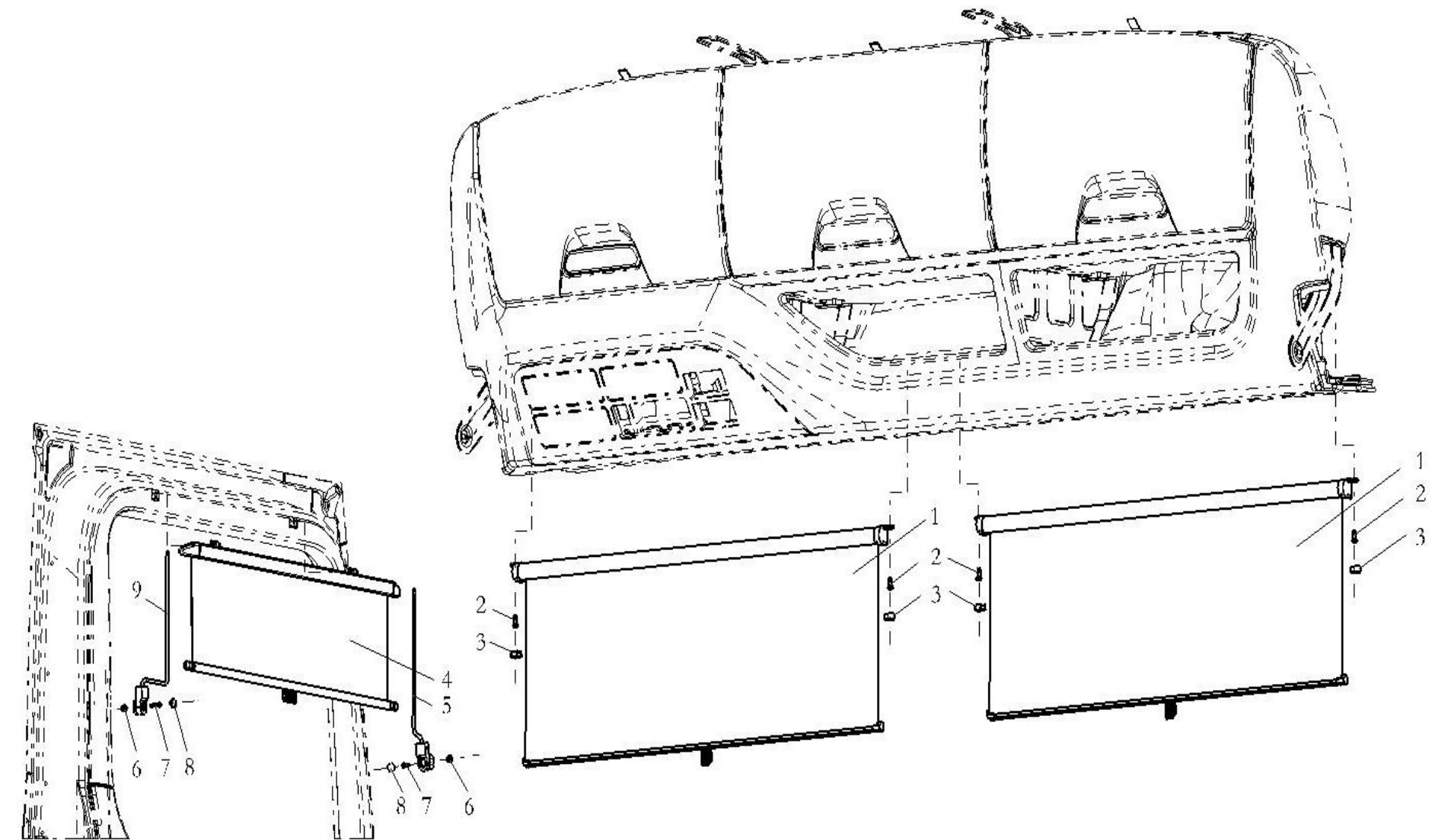
Cabin tilting pipe

Serial number NO	Part Number Part No.	name Designation	Name	quantity Quantity	Applicable models Suited type	Remark Remark
---------------------	-------------------------	---------------------	------	----------------------	----------------------------------	------------------

Shandong heavy truck and machinery Co., Ltd

1	DZ9X259828001	High pressure hose	Oil feeding pipe	1	
2	190003559482	Compression fitting tee pipe joint	Three soint	1	
3	DZ9X259828002	High pressure hose	Oil feeding pipe	1	
4	DZ9X259828003	High pressure hose	Oil feeding pipe	1	
5	DZ9X259828005	High pressure hose	Oil feeding pipe	1	
6	DZ9X259828004	High pressure hose	Oil feeding pipe	1	
7	DZ9X259828007	High pressure hose M14	Oil feeding pipe	1	
8	DZ9X259828006	High pressure hose	Oil feeding pipe	1	

SUN VISOR ROLLER



SUN VISOR ROLLER

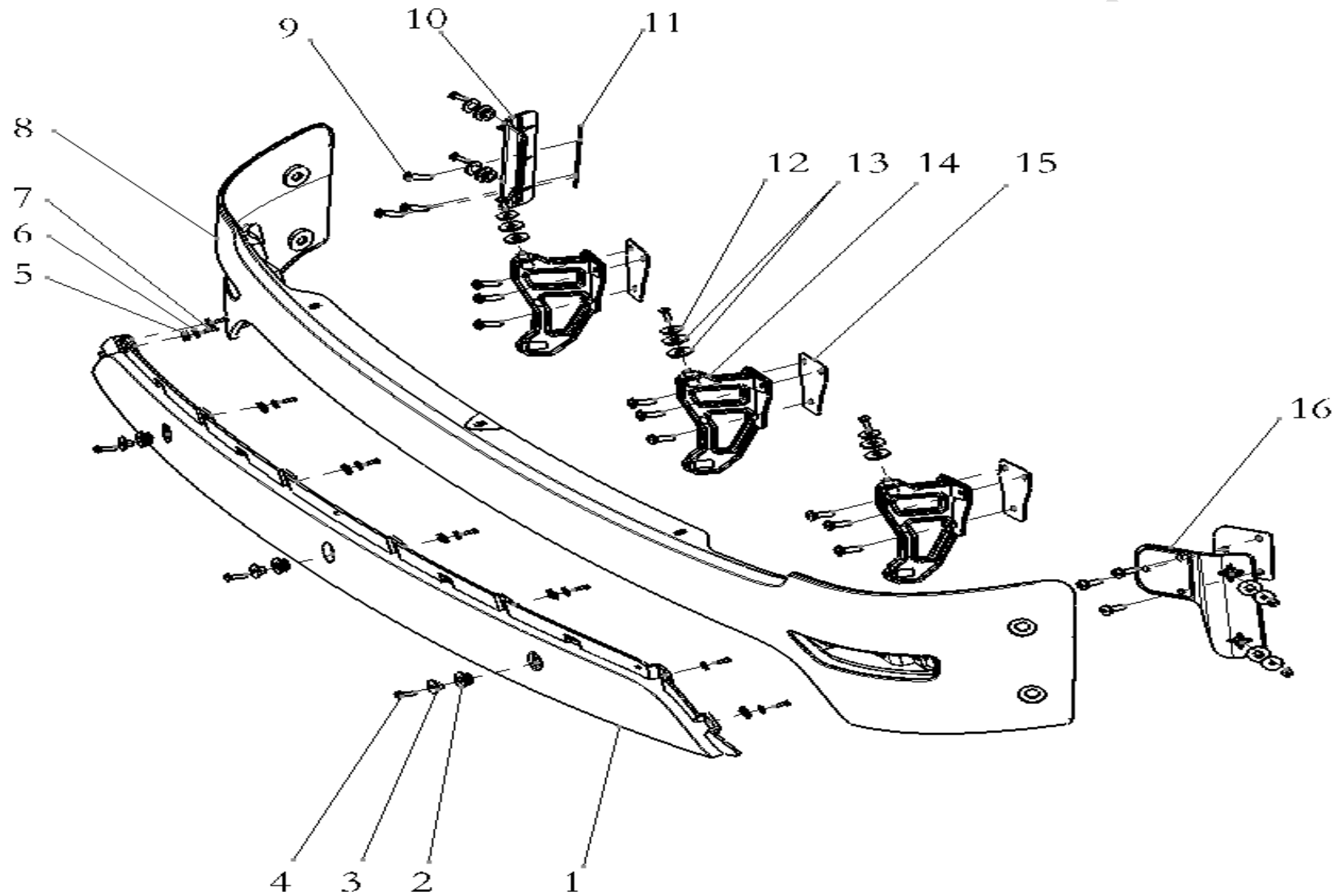
Serial number NO	Part Number Part No.	name Designation	Name	quantity Quantity	Applicable models Suited type	Remark Remark
---------------------	-------------------------	---------------------	------	----------------------	----------------------------------	------------------

Shandong heavy truck and machinery Co., Ltd

Chinese truck parts supplier/Sinotruk/Shacman/FAW/Foton/Beiben/Weichai

1	DZ 16251650010	Front sunshade assembly	Front sun visor roller	2		
2	Q2140616	Cross recessed pan head screws	Screw	4		
3	DZ16251650060	Front sunshade screw plug cover	Screw plug	4		
4	DZ16251650030	Door sunshade assembly	Door sun visor roller	1		
5	DZ14251970050	Door sunshade right guide rod	Right guide road	1		
6	DZ16251650009	assembly	P lastic push pin	2		
7	Q2714225	Plastic clip	Oval-head self-tapping screw	2		
8	DZ16251650020	Cross recessed pan head self	Plug	2		
9	DZ16251650040	tapping screws	L eft guide rod	1		
		Guide rod support plug cover				
		Door sunshade left guide rod				
		assembly				

SUNVISOR ASSY



SUNVISOR ASSY

Serial number NO	Part Number Part No.	name Designation	Name	quantity Quantity	Applicable models Suited type	Remark Remark
---------------------	-------------------------	---------------------	------	----------------------	----------------------------------	------------------

Shandong heavy truck and machinery Co., Ltd

Chinese truck parts supplier/Sinotruk/Shacman/FAW/Foton/Beiben/Weichai

1	DZ16251880014	Sunshade lower body	Sunvisor -under	1		
2	DZ14251880039	Rubber gasket	Rubber washer	7		
3	DZ14251880023	Plastic washers	P lastic washer	7		
4	Q2140620	Cross recessed pan head	P an head screw	10		
5	DZ14251160117	screws	Speed nut	6		
6	Q402B05	Reed nut (two)	Washer	8		
7	Q2714216	Large washer	Self-tapping countersunk screw	8		
8	DZ1625 1880013	(galvanized)	Sunvisor-upper	1		
9	Q2140825	Cross recessed pan head	P an head screw	15		
10	DZ16251880021	self tapping screws	Sunvisor bracket (R)	1		
11	DZ16251880024	Sunshade upper body	Gasket	2		
12	Q402B08	Cross recessed pan head	Washer	3		
13	DZ16251880026	screws	Rubber washer	6		
14	DZ16251880016	Sunshade bracket	Sunvisor bracket (M)	3		
15	DZ16251880023	(right)	Gasket	3		
16	DZ16251880019	Gasket 2	Sunvisor bracket (L)	1		
		Large washer (galvanized)				
		Rubber gasket				
		Sunshade bracket (middle)				
		Gasket 1				
		Sunshade bracket (left)				

Front cabin suspension

Front cabin suspension

Serial number NO	Part Number Part No.	name Designation	Name	quantity Quantity	Applicable models Suited type	Remark Remark
---------------------	-------------------------	---------------------	------	----------------------	----------------------------------	------------------

Shandong heavy truck and machinery Co., Ltd

1	DZ16251433067	Swing arm support assembly/X	Tower bracket	2	
2	DZ16251433012	Right front suspension upper	Right cabin bracket	1	
3	Q1811655TF3	bracket/wide body/floating	Hex screw	10	
4	Q151B16110T1F	Hexagon flange bearing toothed bolts -	Hex screw	6	
5	3	fine pitch	Lock nut	8	
6	190003888459	Hexagon head bolts-fine thread	Hex screw	2	
7	Q1811670TF3	Self-locking nuts	Left cabin bracket	1	
8	DZ16251433011	Hexagon flange bearing toothed bolts -	Bushing	2	
9	DZ16251433064	fine pitch	Hex screw	2	
10	Q151B16120T1F	Left front suspension upper	Hex screw	1	
11	3	bracket/wide body/floating	Washer	2	
12	Q1811645TF3	casing	Cleat	1	
13	DZ16251433028	Hexagon head bolts-fine thread	Left linkage arm	2	
14	DZ16251433030	Hexagon flange bearing toothed bolts -	Hex screw	4	
15	DZ16251433061	fine pitch	Air spring	2	
16	Q1811490TF3	Pads	Hex lock nut	10	
	DZ16251434065	wedge			
17	06.11251.2005	Left swing arm/X/H	Hex screw	2	
18		Hexagonal Flange Face Bearing Toothed	Hex screw	4	
19	Q1811470TF3	Bolts	Left chassis bracket	1	
20	Q1811450TF3	Integrated air bag shock absorber	Right chassis bracket	1	
twenty	DZ16251433017	assembly/front	Hex screw	2	
one	DZ16251433018	Hexagon nut M7.112.40	Right linkage arm	1	
twenty	Q18114100TF3	M14*1.5-10-MAN183B1 with flange	Arm rubber	2	
two	DZ16251433062	Hexagon flange bearing toothed bolts -			

Front cabin suspension

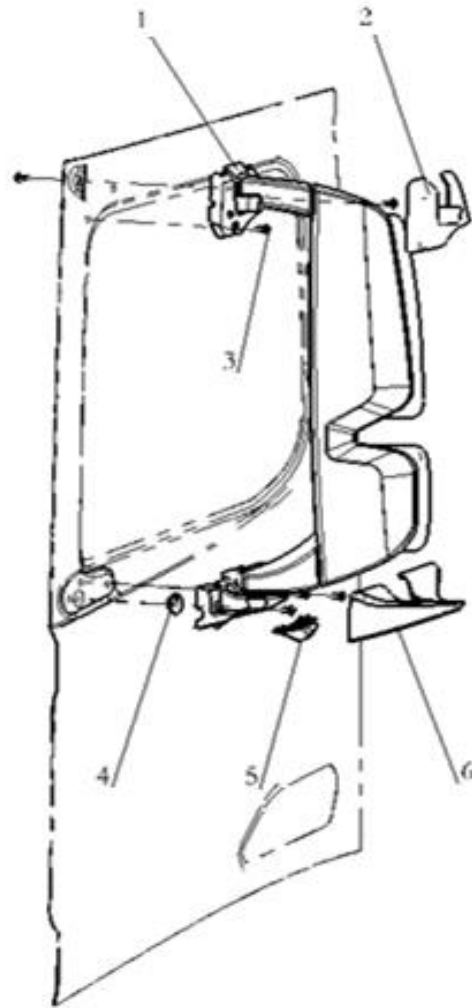
Chinese truck parts supplier/Sinotruk/Shacman/FAW/Foton/Beiben/Weichai

Serial number NO	Part Number Part No.	name Designation	Name	quantity Quantity	Applicable models Suited type	Remark Remark
---------------------	-------------------------	---------------------	------	----------------------	----------------------------------	------------------

Shandong heavy truck and machinery Co., Ltd.

twenty	DZ16251433026	Polyurethane gasket	Washer	2		
four	Q401B16	Flat washer (galvanized)	Washer	2		
25	DZ16251433020	Front suspension rubber bushing	Rubber	2		
26	DZ1625143302	assembly/floating type	Bushing	2		
27	6		Hinge pin	2		
28	DZ162514330	Sleeve	Anti roll bar	1		
29	27	Pin	Nylon pad	2		
30	DZ16251433043	beam				
	DZ16251433019	Limit block				

LEFT MAIN EXTERIOR VIEW MIRROR ASSY



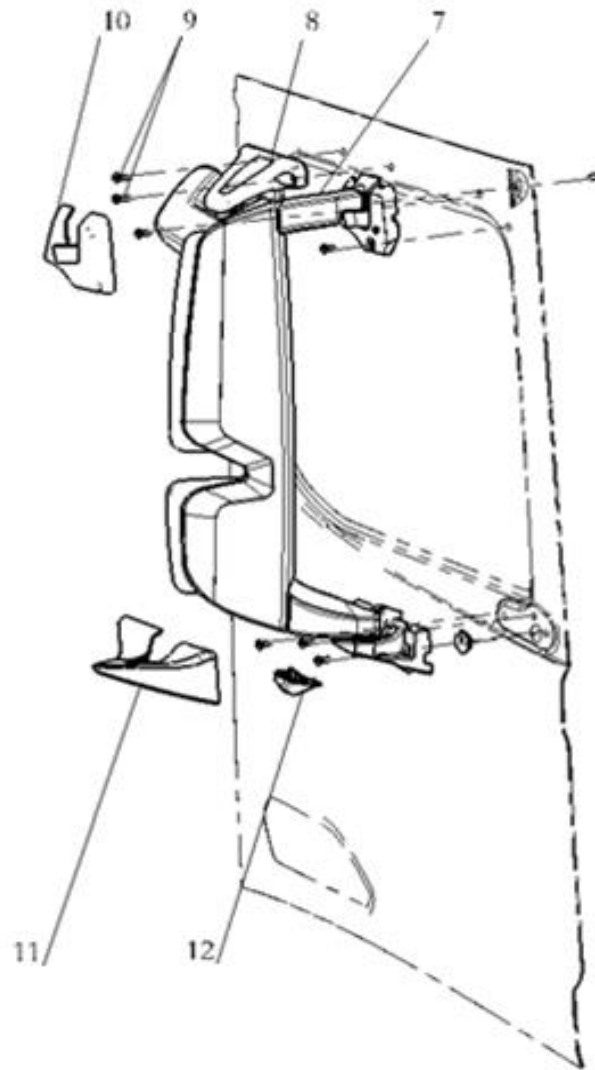
LEFT MAIN EXTERIOR VIEW MIRROR ASSY

Serial number NO	Part Number Part No.	name Designation	Name	quantity Quantity	Applicable models Suited type	Remark Remark

Shandong heavy truck and machinery C., Ltd

1	DZ1625 1770007	Left rearview mirror	Left main view mirror (Electrical heating)	1		
2	DZ16251770003	(electric heating)	Left upper mirror bracket cover	1		
3	Q2140820F60	Left upper mirror base	P an head screw	15		
4	DZ16251770023	decorative plate	Waterproof gasket	1		
5	DZ16251770021	Cross recessed pan head	Right plug	1		
6	DZ16251770005	screws	Left Lower mirror bracket cover	1		
		Waterproof seal				
		Left plug cover				
		Left lower mirror base				
		decorative plate				

MAIN EXTERIOR VIEW MIRROR ASSY & CLOSE-PROXIMITY VIEW MIRROR ASSY



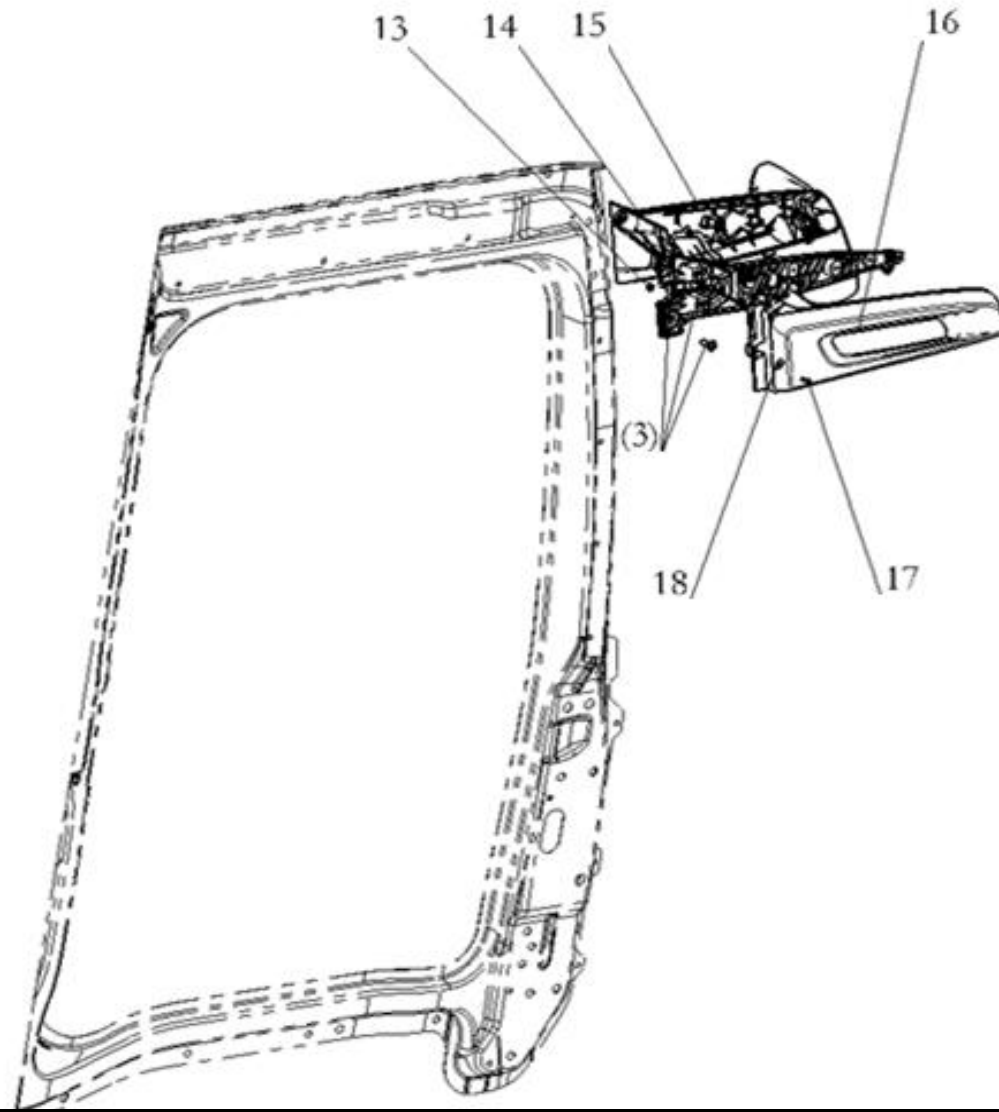
MAIN EXTERIOR VIEW MIRROR & CLOSE- PROXIMITY VIEW MIRROR ASSY

Serial number NO	Part Number Part No.	name Designation	Name	quantity Quantity	Applicable models Suited type	Remark Remark
---------------------	-------------------------	---------------------	------	----------------------	----------------------------------	------------------

Shandong heavy truck and machinery Co., Ltd

7	DZ1625 1770008	Right rearview mirror	Right main view mirror (Electrical heating)	1		
8	DZ16251770510	(electric heating)	Close -proximity view mirror assy	1		
9	Q2140825F60	Blind mirror assembly	P an head screw	2		
10	DZ16251770004	Cross recessed pan head	Right upper mirror bracket cover	1		
11	DZ16251770006	screws	Right lower mirror bracket cover	1		
12	DZ16251770022	Right upper mirror base decorative plate Right lower mirror base decorative plate Right cover	Right plug	1		

FRONT VIEW MIRROR ASSY



FRONT VIEW MIRROR ASSY

Serial number NO	Part Number Part No.	name Designation	Name	quantity Quantity	Applicable models Suited type	Remark Remark

Shandong heavy truck and machinery Co., Ltd

13	DZ14251970009	Plastic clip	plastic push pin	1	
14	DZ16251770054	Front mirror bracket	Front view mirror bracket	1	
15	DZ16251770601	Front mirror	Front view mirror	1	
16	DZ16251770602	Front mirror decorative plate	Front view mirror trim-panel	1	
17	Q2714216	Cross recessed pan head self	Self-tapping countersunk screw	1	
18	Q402B05	tapping screws Large washer (galvanized)	Washer	1	

OPERATION PLATFORM