



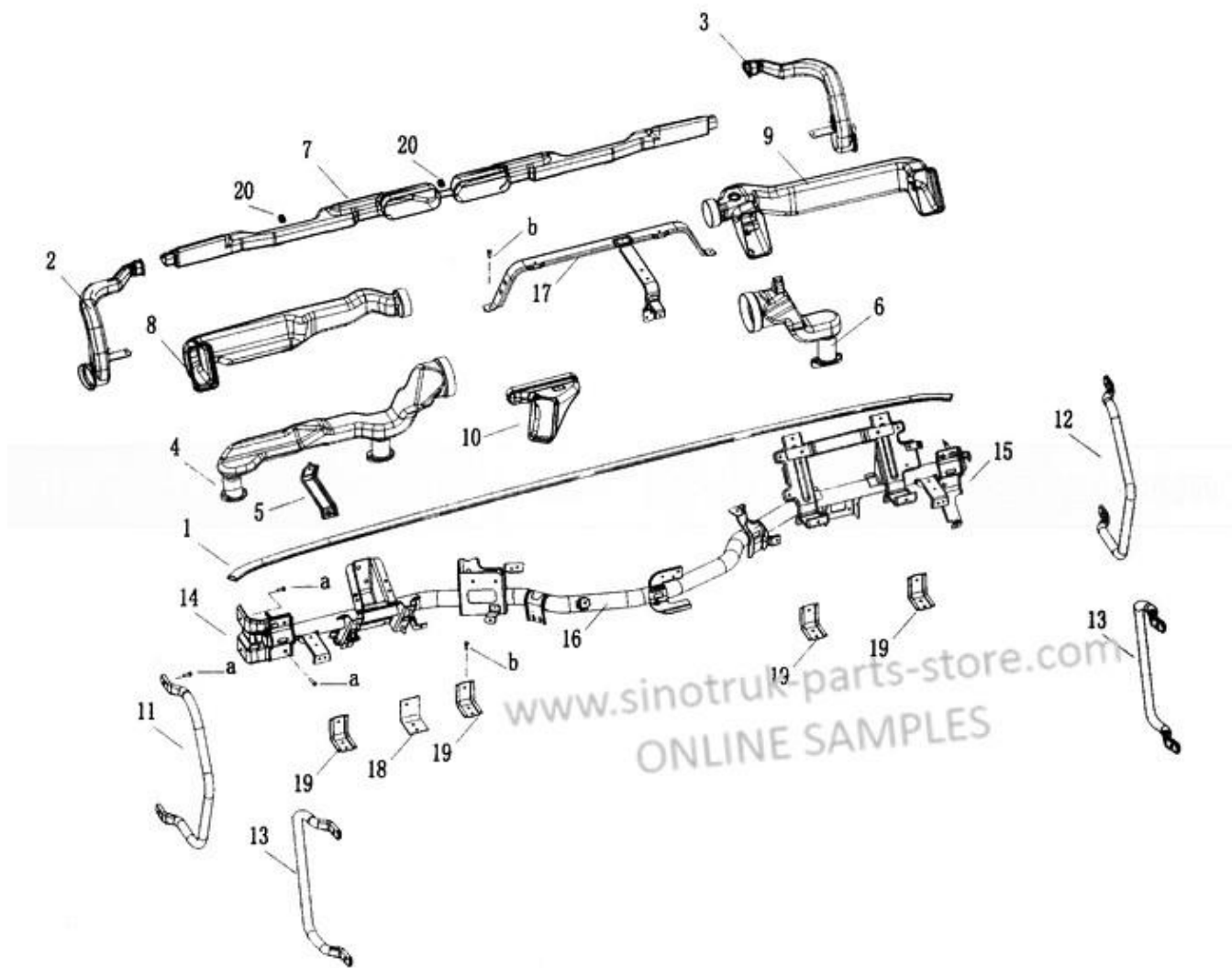
# **SINOTRUK**

## **HOWO HW76/HW79 CAB**

### **SPARE PARTS CATALOG**

# INDEX

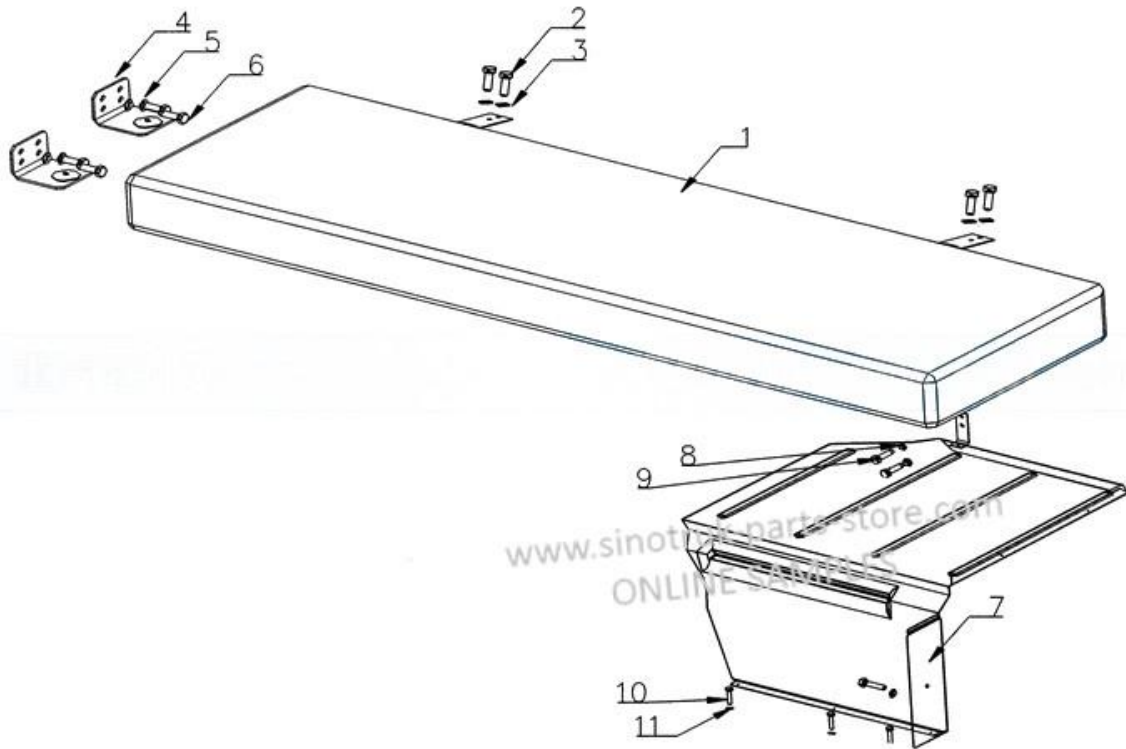
Instrument	Page 3
HW76 Berth	Page 6
HW79 Berth	Page 7
Upper window	Page 9
Window glass	Page 10
Door, glass and accessories	Page 11
Door lock	Page 13
Sunshield	Page 16
Down-view mirror	Page 18
Rear view mirror	Page 19
Bumper	Page 20
Fender	Page 21
Side guide hood	Page 23
Front cover	Page 24
HW76/HW79 Tool box	Page 26
Cassette players	Page 27
Shroud & Windshield	Page 28
Rotating mechanism	Page 30
Wiper	Page 32
Windshield wash mechanism	Page 34
Rear suspension of cab	Page 35
Front suspension of cab	Page 37
Air conditioning	Page 39



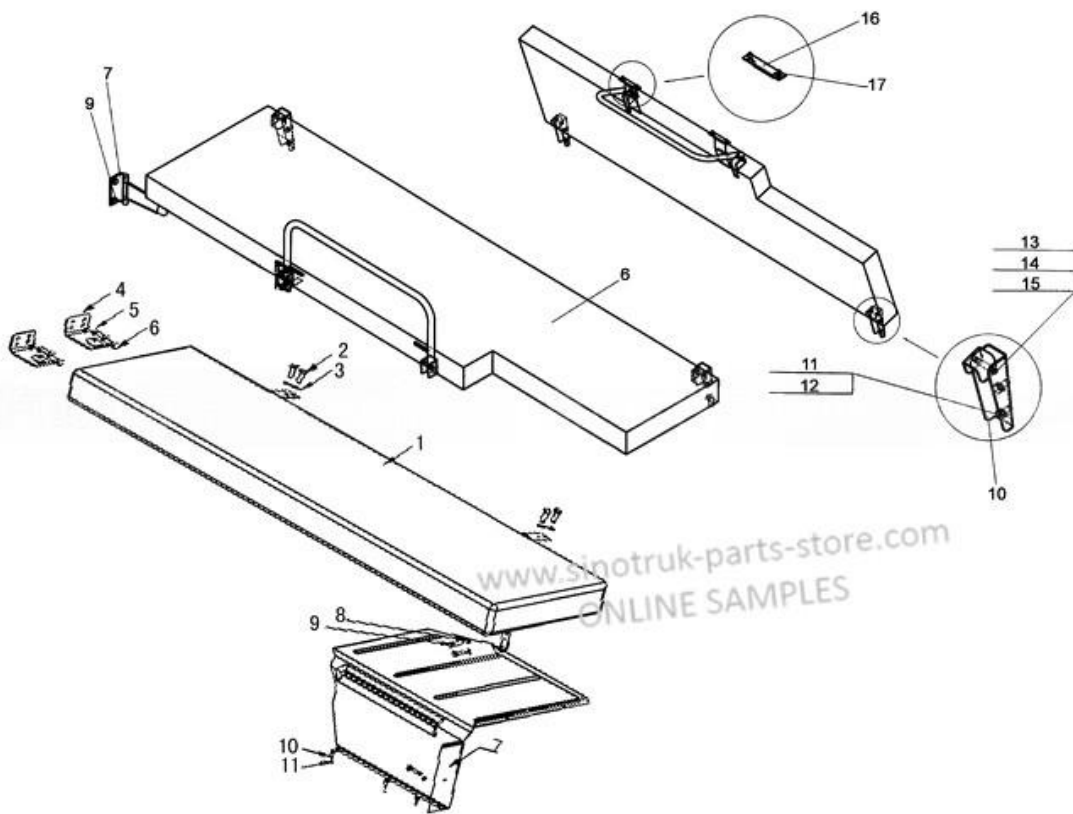
Instrument		
HOWO TRUCK CAB		
Sequence	Name	Part No.
1	Sealing strip	AZ1642160010
2	Left defroster duct assembly	AZ1642160011
3	Right side of the defrost duct assembly	AZ1642160014
4	Left air duct assembly	AZ1642160017
5	Left duct fixing bracket assembly	AZ1642160021

6	Right air duct assembly	AZ1642160023
7	Front defrost duct assembly	AZ1642160025
8	Left side of the duct assembly	AZ1642160031
9	Right side of the duct assembly	AZ1642160037
10	Middle-rear duct assembly	AZ1642160042
11	Left front armrest assembly	WG1642160047
12	Right front armrest assembly	WG1642160050
13	Rear armrest	WG1642160052
14	Dashboard crossbeam left	AZ1642160060
15	Dashboard crossbeam right	AZ1642160062
16	Dashboard beam welding assembly	AZ1642160064
17	Beam upper instrument panel bracket assembly	AZ1642160109
18	Right side of the steering column bracket assembly	AZ1642160251
19	Floor bracket assembly	AZ1642160181
20	Plastic pin seat	AZ1642160146
21	Water cupholders front cover	AZ1642160124
22	Trim assembly - Central	AZ1642160138
23	Manhole Cover	AZ1642930010
24	M6 bolt combination with rubber pad	AZ1642930011
25	Driver side dashboard assembly	WG1642160120
26	Outlet assembly	AZ1642160150
27	Assistant driver side dashboard assembly	WG1642160170
28	Deputy driver side instrument audience side cover assembly	WG1642160172
29	Deputy driver side trim assembly	AZ1642160175
30	Co-driver side of the instrument armor assembly	WG1642160177
31	Dashboard cover assembly	WG1642160183
32	Hand brake cover assembly	WG1642160186
33	Hand brake mounting bracket	AZ1642160188
34	Switch panel assembly	WG1642160190
35	Upper cover	WG1642160213
37	Electrical cover assembly	WG1642160215
38	Steering column shroud	AZ1642160217
39	Retainer nut	WG1642930009
40	The left side of the steering column assembly	WG1642160218
41	Right side of the steering column assembly	WG1642160230
42	Left side of the steering column trim assembly	AZ1642160232
43	Right side of the steering column trim assembly	AZ1642160234
44	Footrest assembly station	WG1642160236
45	Left front dashboard cover screws	WG1642160238

46	Right front dashboard cover screws	WG1642160239
47	Hood storage box	WG1642160242
48	Portable ashtray assembly	AZ1642160243
49	Plastic buckle	AZ1642160137
50	Cross recessed pan head screws spring washers assemblies	AZ1642930620
51	Cross recessed pan head screws	Q2140820
52	Cross recessed pan head screws	Q2140516
53	Cross recessed pan head self tapping screws	Q2714816
20a	Hex head bolts, spring washers washer assemblies	Q1460825
20b	Hex head bolts, spring washers washer assemblies	Q1460620



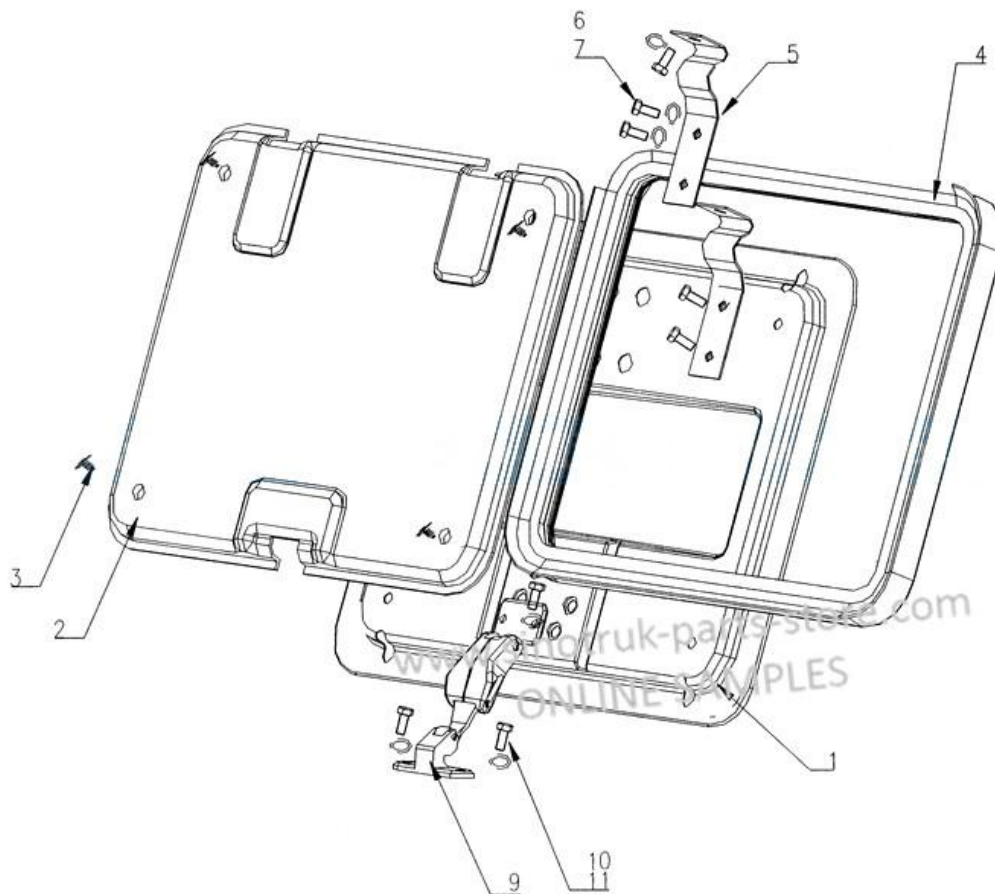
HW76 Berth		
HOWO TRUCK CAB		
Sequence	Name	Part No.
1	Sleeper assembly	AZ1643570001
2	Hex head bolts	Q150B0825
3	Small Washers	Q40008
4	Sleeper right leg assembly	WG1643570008
5	Hex head bolts	Q150B0825
6	Small Washers	Q40008
7	Sleeper support assembly	WG1643570010
8	Hex head bolts	Q150B0625
9	Small Washers	Q40006
10	Hex head bolts	Q150B0420
11	Small Washers	Q40004



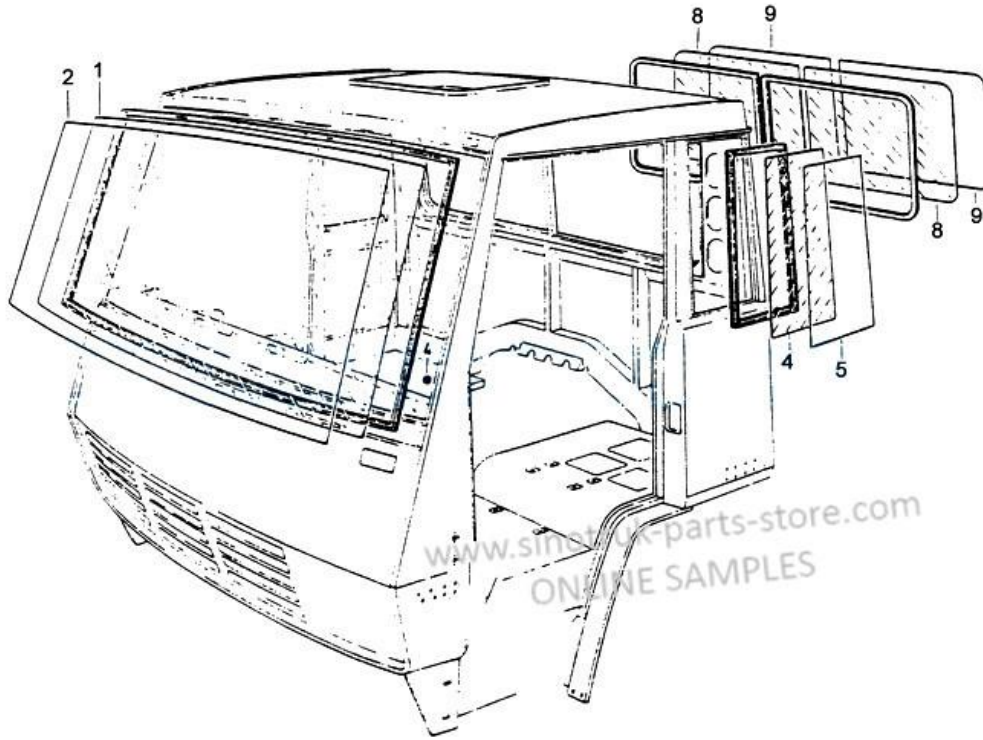
HW79 Berth		
HOWO TRUCK CAB		
Sequence	Name	Part No.
1	Sleeper assembly	AZ1643570001
2	Hex head bolts	Q150B0825
3	Small Washers	Q40008
4	Sleeper right leg assembly	WG1643570008
5	Hex head bolts	Q150B0825
6	Small Washers	Q40008
7	Sleeper support assembly	WG1643570010
8	Hex head bolts	Q150B0625
9	Small Washers	Q40006
10	Hex head bolts	Q150B0420
11	Small Washers	Q40004
12	Sleeper assembly	AZ1644570001
13	Fixed plate assembly	AZ1644570192
14	Rear hinge	AZ1672570020
15	Hex head bolts	Q150B0825

16	Flat Washers	Q40008
17	Pin	Q5100850
18	Cotter	Q5003220
13a	Hex head bolts	Q150B0820
13b	Flat Washers	Q40108
13c	Spring washer	Q40308

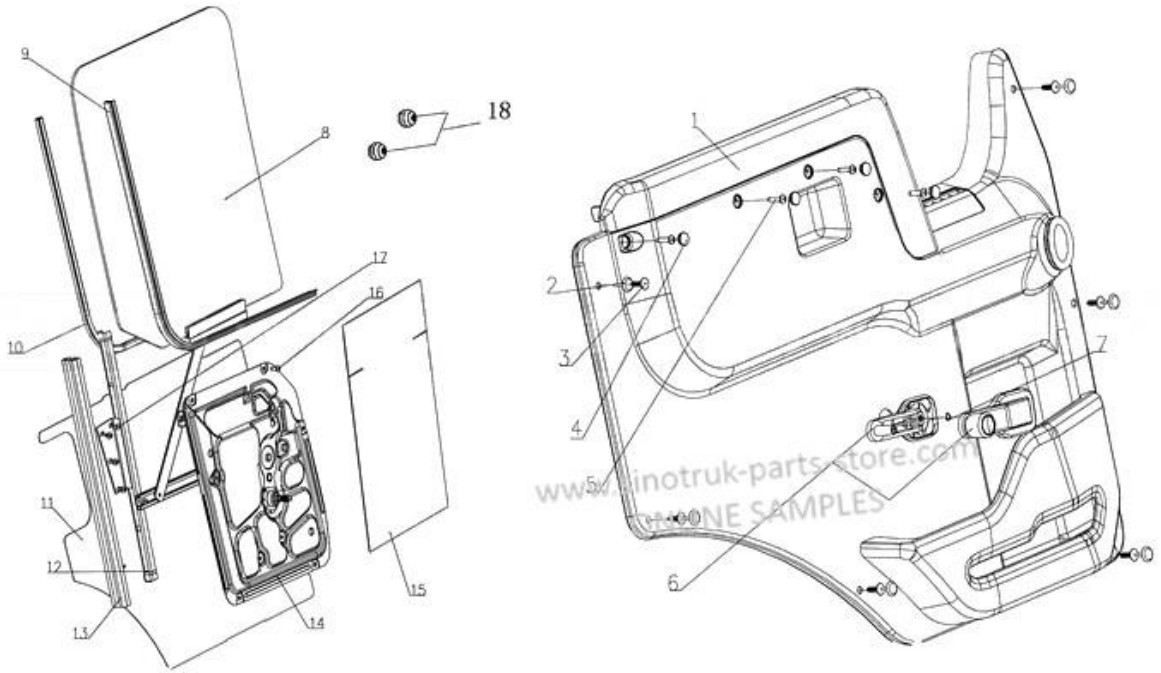




Upper window		
HOWO TRUCK CAB		
Sequence	Name	Part No.
1	Cover plate for upper window welding assembly	WG1642770006
2	Upper window cover lining	WG1642770008
3	Rivet	WG1642770005
4	Upper window seal	WG1642770009
5	Hinge	WG1642770011
6	Screws	Q2140620
7	Large Washer	Q40206
8	Washer	WG1642930021
9	Switch mechanism	WG1642770007
10	Screws	Q2140620
11	Large Washer	Q40206

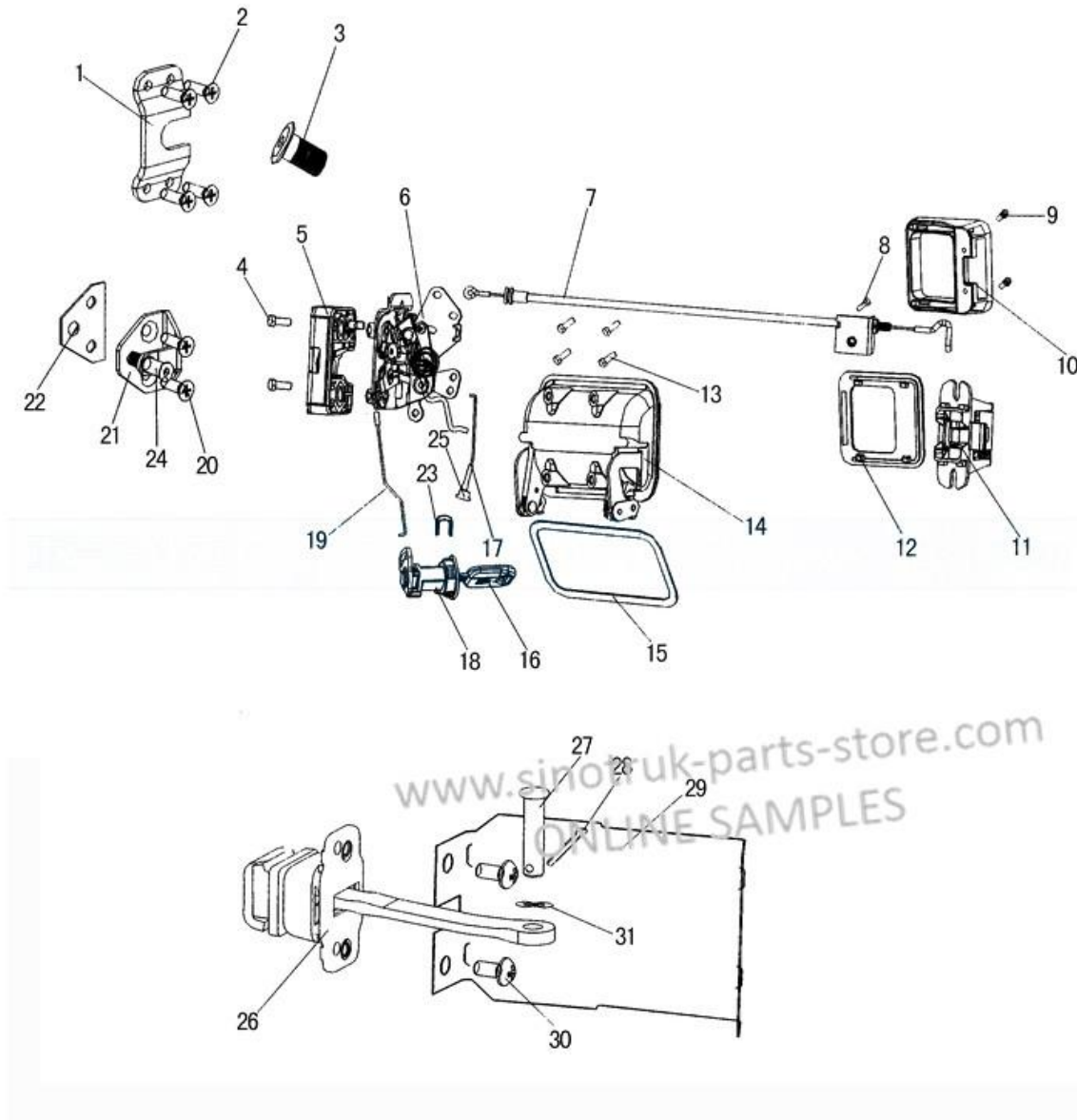


Window glass		
HOWO TRUCK CAB		
Sequence	Name	Part No.
1	HOWO windshield	WG1642710001
2	Windshield seal	WG1642710002
4	Side windows	WG1642710003
5	Side window seal	WG1642710004
8	Rear window	WG1642710005
9	Rear window seal	WG1642710006



Door, glass and accessories		
HOWO TRUCK CAB		
Sequence	Name	Part No.
2	Rivets	AZ1642930005
40-1	Right door panel assembly	AZ1642210004
3	Rivets	AZ1642930006
40-2	Right door panel assembly	AZ1642210006
4	Screw cap	AZ1642930007
40-3	Right door glass guide	WG1642210008
5	Cross recessed pan head screws	Q2140620
40-4	Door hinge assembly	AZ1642210009
6	Handle	WG1642330001
40-5	Hexagon flange bolts	Q1840825
7	Shaft circlip	Q43107
40	Right door assembly with glass, door accessories	AZ1642210002A
8	Left door glass assembly	AZ1642330060
8a	Right door glass assembly	AZ1642330061
9	Sealing strip	WG1642330011
10	Outer sealing strip	WG1642330013
11	Door protective layer	AZ1642330019

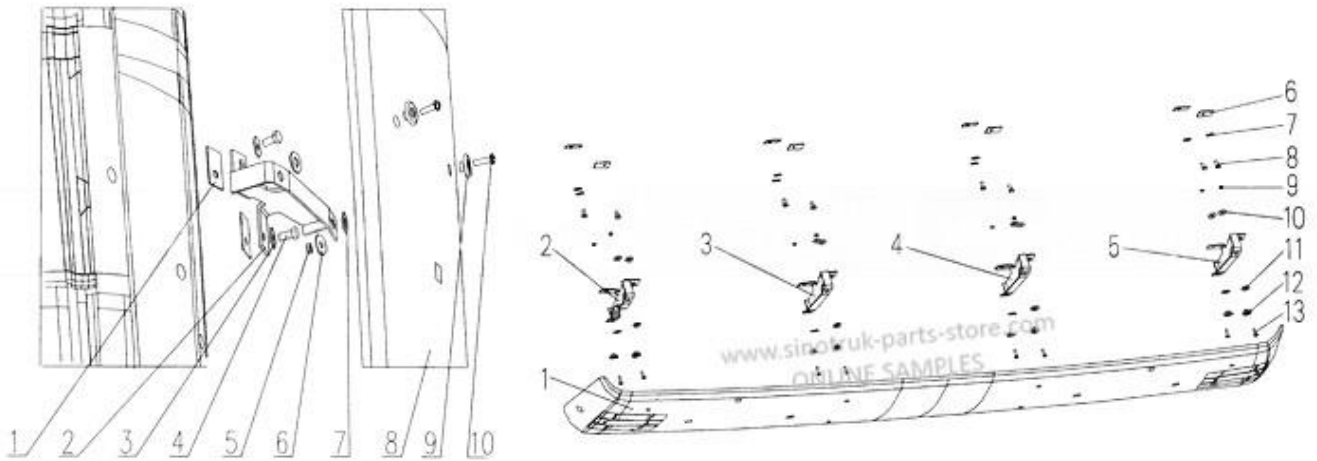
12	Left glass slide	WG1642330009
17	Cross recessed pan head screws	Q2140610
12a	Right glass slide	WG1642330010
18	Rubber clog	AZ1642930030
13	Chute seal	WG1642330015
19	Left corner window	WG1642350003
14	Left glass lifter assembly	WG1642330003
19a	Right corner window	WG1642350004
14a	Right glass lifter assembly	WG1642330004
20	Left corner window seal	WG1642350001
15	Film	AZ1642330051
20	Right corner window seal	WG1642350002
16	Cross recessed pan head screws	Q2140612
30	Left door assembly with glass, door accessories	AZ1642210001A
30	Left door assembly	AZ1642210001
30-1	Left the car door panel assembly	AZ1642210003
30-2	Left door panel assembly	AZ1642210005
30-3	Left door glass guide	WG1642210007
30-4	Door hinge assembly	AZ1642210009
1	Door guard plate assembly - left door	WG1642330020
30-5	Hexagon flange bolts	Q1840825
1a	Door guard plate assembly - the right door	WG1642330040
40	Right door assembly	AZ1642210002



Door lock		
HOWO TRUCK CAB		
Sequence	Name	Part No.
1	Auxiliary support stand	WG1642340020/1
1	Auxiliary support stand	WG1642340020/2
2	Cross recessed countersunk head screws	Q2540820
3	Auxiliary support pin	WG1642340021/1
3	Auxiliary support pin	WG1642340021/2
4	Cross recessed pan head screws	Q2540830

5	Left door stopper assembly	WG1642340012/1
5	Left door stopper assembly	WG1642340012/2
6	Left door lock body assembly	WG1642340014/1
6	Left door lock body assembly	WG1642340014/2
7	Lock assembly drawing	WG1642340028/1
7	Lock assembly drawing	WG1642340028/2
8	Hex head bolts	Q150B0612
9	Cross recessed pan head screw and washer assemblies	Q2300612
10	Inner opening handle	WG1642340033/2
10	Inner opening handle	WG1642340033/1
11	Inner opening assembly	WG1642340031/1
11	Inner open assembly	WG1642340031/2
12	Inner open lid handle	WG1642340032/1
12	Inner open lid handle	WG1642340032/2
13	Hex head bolts	Q150B0616
14	Car door handle assembly	WG1642340001/1
14	Car door handle assembly	WG1642340001/2
15	Gasket	WG1642340002/1
15	Gasket	WG1642340002/2
16	Car door key card assembly	WG1642340011/1
16	Car door key card assembly	WG1642340011/2
17	Left lock lever assembly	WG1642340018/1
17	Left lock lever assembly	WG1642340018/2
18	Left door lock cylinder assembly	WG1642340008/1
18	Left door lock cylinder assembly	WG1642340008/2
19	Lock lever assembly	WG1642340016/1
19	Lock lever assembly	WG1642340016/2
20	Cross recessed countersunk head screws	Q2540820
21	Latch bracket	WG1642340022/1
21	Latch bracket	WG1642340022/2
22	Detent plate bracket	WG1642340023/2
22	Detent plate bracket	WG1642340023/1
23	Cylinder card	WG1642340010/1
23	Cylinder card	WG1642340010/2
24	Latch	WG1642340024/1
24	Latch	WG1642340024/2
25	Rubber sheath	WG1642340030/1
25	Rubber sheath	WG1642340030/2
26	Limit pull with assembly	WG1642340026/1

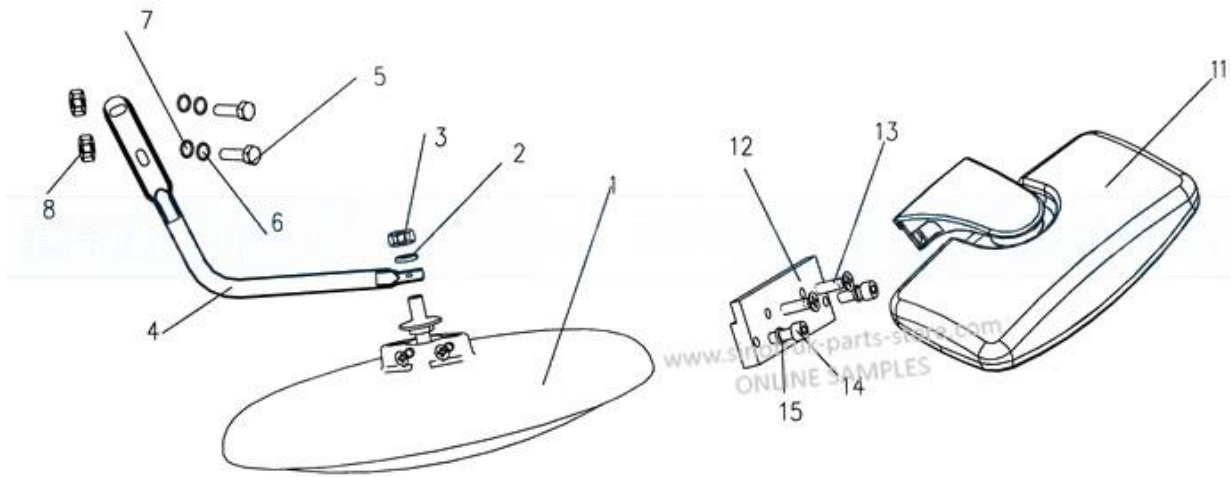
26	Limit pull with assembly	WG1642340026/2
27	Pin	Q5100835
28	Cotter	Q5002526
29	Limit pull with fixing plate	WG1642340027/1
29	Limit pull with fixing plate	WG1642340027/2
30	Cross recessed pan head screws	Q2140612
31	Waveform Gasket	Q41806
17a	Right lock lever assembly (symmetric with left parts)	WG1642340029/1
17a	Right lock lever assembly III (symmetric and left parts)	WG1642340029/2
18a	Right door lock cylinder assembly (left symmetrically)	WG1642340009/1
18a	Right door lock cylinder assembly (left symmetrically)	WG1642340009/2
5a	Right door stopper assembly (left symmetrically)	WG1642340013/1
5a	Right door stopper assembly (left symmetrically)	WG1642340013/2
6a	Right car door lock assembly (left symmetrically)	WG1642340015/1
6a	Right car door lock assembly (left symmetrically)	WG1642340015/2



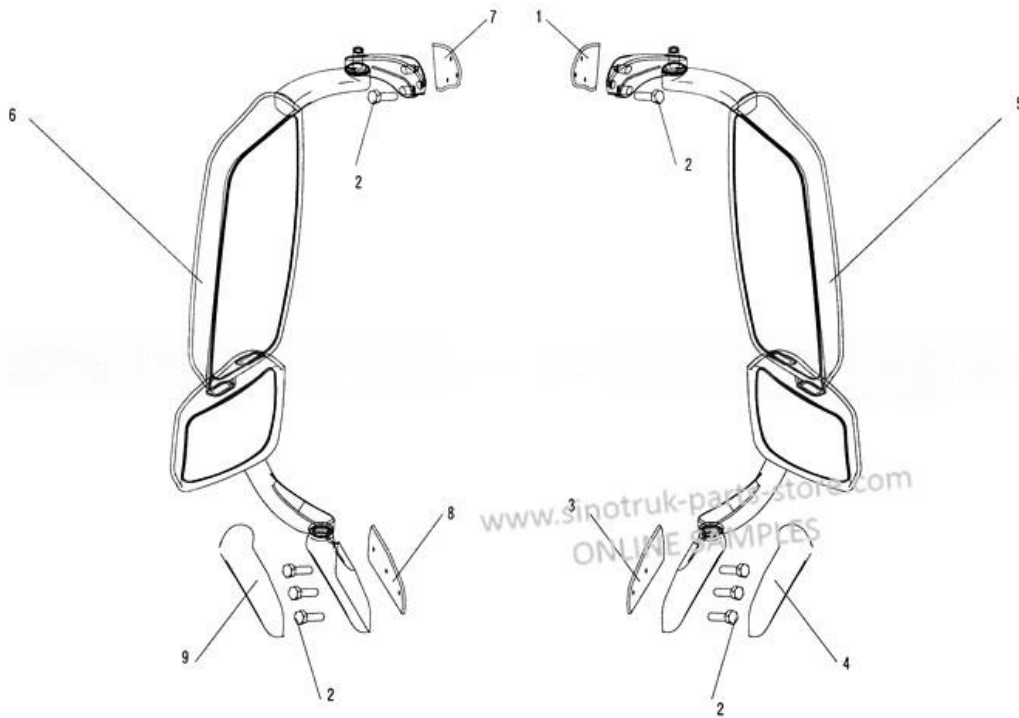
Sunshield		
HOWO TRUCK CAB		
Sequence	Name	Part No.
1	HOWO standard cab Sunshield	WG1642870231
1	HOWO high roof cab sunshield	WG1644870002
2	Right outside the stent	WG1642870232
2	Stand	AZ1644870003
3	Right in the bracket	WG1642870234
4	Left in the bracket	WG1642870235
5	Left outer bracket	WG1642870233
5	Stand	AZ1644870003
6	Rubber mat	AZ1672870121
6	Rubber mat	AZ1672870121
7	Large Washer	Q40208
8	Hex head bolts	Q150B0820
9	Hex nuts	Q340B06
10	Large Washer	Q40206
11	Rubber mat	AZ1642870043



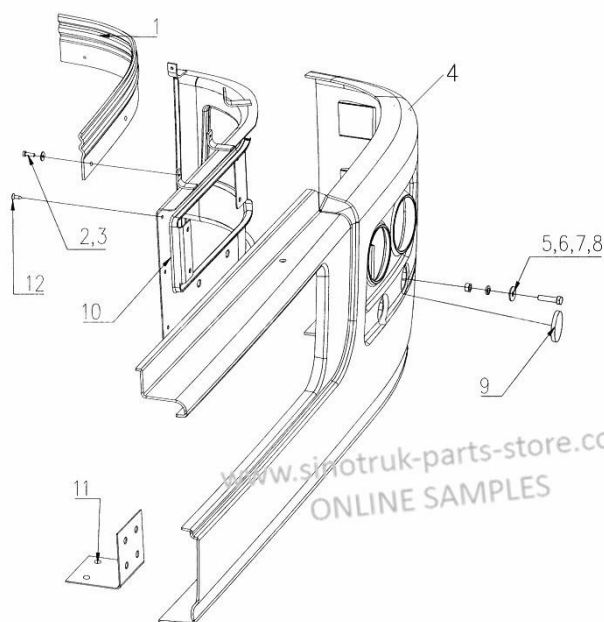
11	Rubber mat	AZ1642870043
11	Rubber mat	AZ1644870004
12	Shaped pads	AZ1608870008
12	Shaped pads	AZ1608870008
13	Screws	Q2140625
14	Outer lower bracket	WG1642870236
15	Hex head bolts	Q150B0820
16	Large Washer	Q40208
17	Rubber mat	AZ1672870121
18	Hex head bolts	Q150B0825
19	Large Washer	Q40208
20	Hex nuts	Q340B08



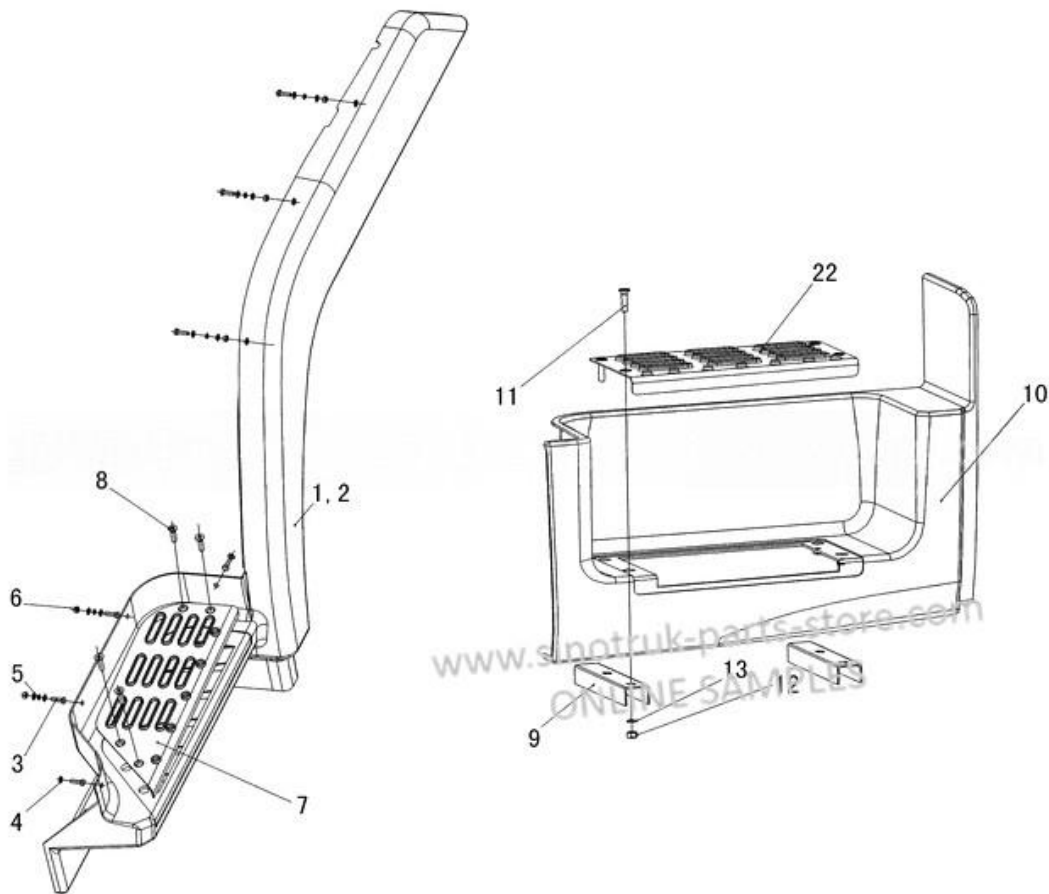
Down-view mirror		
HOWO TRUCK CAB		
Sequence	Name	Part No.
1	Under endoscopic	WG1642770004
2	Screw nut	WG1642770004-1
3	Spring washers	WG1642770004-2
4	Down-view mirror support	AZ1642770054
4	Down-view mirror support (HW79)	AZ1644771000
4	Down-view mirror support (HW79 right drive)	AZ1646771000
4	Down-view mirror support (right drive)	AZ1646770054
5	Hex head bolts	Q150B0825
6	Spring washer	Q40308
7	Large Washer	Q40208
8	A type hexagon nuts	Q340B08
11	Pavement mirror assembly	WG1600770007
12	Floor	AZ1642770098
13	Screws	Q2540620
14	Hexagon socket head cap screws	Q218B0616
15	Spring washer	Q40306



Rear view mirror		
Sequence	Name	Part No.
1	Rubber block	WG1642770001-1
2	Hexagon socket head cap screws	Q218B0635
3	Rubber parts	WG1642770001-2
4	Decorative cover block	WG1642770001-3
5	Left rear view mirror	WG1646770001
6	Right rear view mirror	WG1646770002
7	Rubber block	WG1642770003-1
8	Rubber block	WG1642770003-2
9	Decorative Cover	WG1642770003-3
10	Down left rear view mirror	WG1642770001-4
10	Down right rear-view mirror	WG1642770003-4
10	Down left rear view mirror	WG1646770001-4
10	Down left rear view mirror	WG1646770002-4
11	Upper left rearview mirror	WG1642770001-5
11	Upper right rearview mirror	WG1642770003-6
11	Upper left rearview mirror	WG1646770001-5
11	Upper right rearview mirror	WG1646770002-6

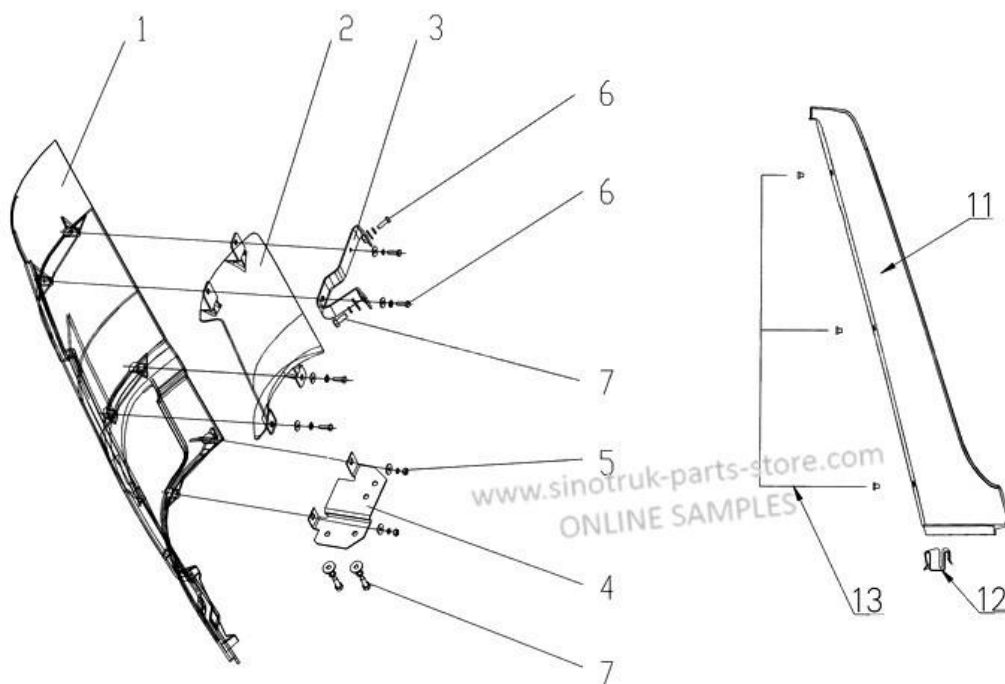


Bumper		
HOWO TRUCK CAB		
Sequence	Name	Part No.
1	Left bumper decorative plates	AZ1642240050
2	Screws	Q2714819
3	Large Washer	Q40206
4	Bumper assembly	WG1642240002
4	High bumper	WG1641240001
5	Hex head bolts	Q150B0835
6	I type hexagon nuts	Q340B08
7	Large Washer	Q40208
8	Spring washer	Q40508
9	Plug right inside cover	WG1642240050
9	Right outside the block cover	WG1642240052
9	Plug cap left	WG1642240051
9	Left outer block cover	WG1642240053
10	Left bracket assembly	WG1642240040
10	Right bracket assembly	WG1642240041
11	Middle bracket	WG1642240042
12	Screws	Q2764816
1a	Bumper right decorative plates	AZ1642240051
1b	Retainer nut	WG1642930009
1c	Rubber mat	AZ1608240074

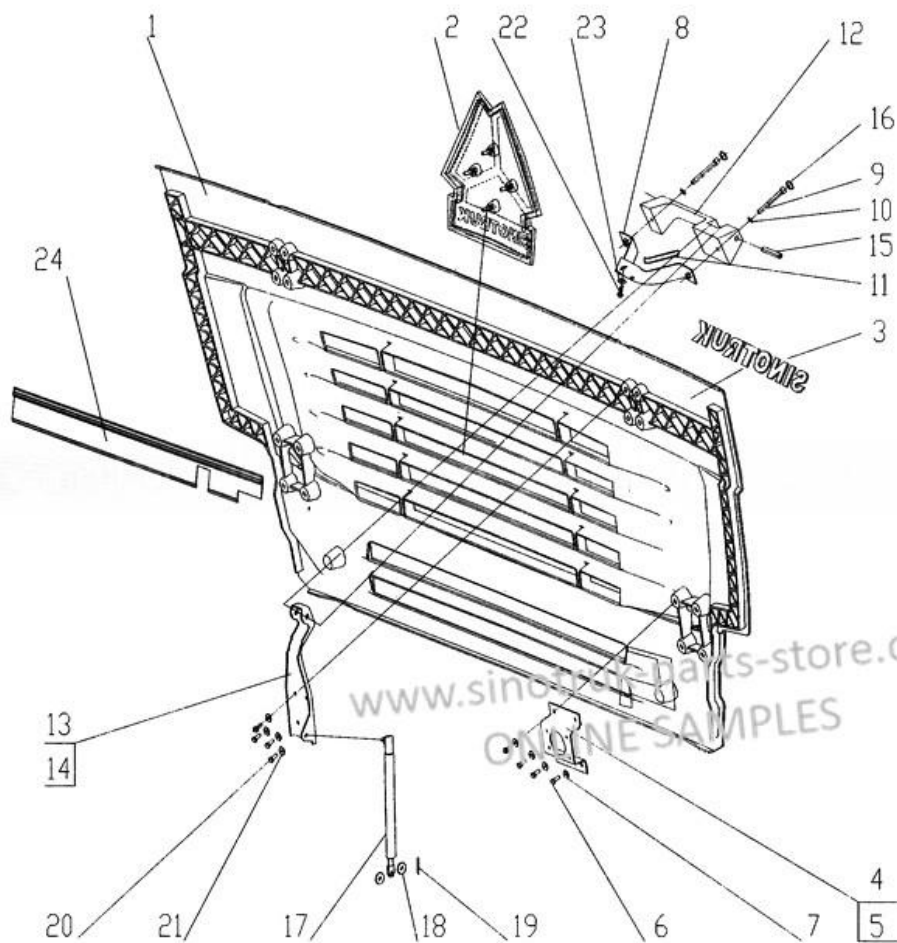


Fender		
HOWO TRUCK CAB		
Sequence	Name	Part No.
24a	Plate	WG9731930014
1	Left fender	WG1642230012
1	Left fender	WG1641230020
2	Right fender	WG1642230013
2	Right fender assembly	WG1641230021
3	Hex head bolts	Q150B0620
4	Washer	Q40106
5	Spring washer	Q40306
6	Screw nut	Q340B06
7	Left skid plate	WG1642230018
7a	Right cleat	WG1642230019
8	Cross recessed pan head screws	Q2540830
9	Pedal bracket (upper bumper)	AZ9725930049
9	Pedal bracket	WG9725930017
10	Right pedal	WG1641240011

10	Left pedal	WG1642240030
11	Hex head bolts	Q150B0825
12	Screw nut	Q340B08
13	Spring washer	Q40308
14	Left rear fender	WG1642230003
15	Right rear fender	WG1642230004
16	Washer	AZ1642230008
17	Liner (rear fender)	AZ1642230007
18	Self-tapping screws	Q2713516
19	Hex head bolts	Q150B0860
20	I type hexagon nuts	Q340B08
21	Spring washer	Q40308
22	Left skid plate	WG1642240032
23	Left rear fender bracket	WG9719930315
23	Left rear fender bracket	WG9731930010
24	After the right fender bracket	WG9731930015
24	After the right fender bracket	WG9719930313
25	Hex head bolts	Q151B1445
26	Self-locking nuts	190003888468
27	Tailgate assembly	WG1641230028
28	Connecting bracket	WG1641230030
29	Cross recessed tapping screws	Q2714816
30	Hex head bolts	Q150B0620
41	Left front fender	WG1641230025
42	Right front fender	WG1641230026
43	Fenders with layering	AZ1641230027
10a	Left Pedal	WG1641240012
10a	Right pedal	WG1642240031
15a	Fender stiffeners	WG1642230005
19a	Hex head bolts	Q150B0620
20a	I type hexagon nuts	Q340B06
21a	Spring washer	Q40306
21b	Washer	Q40106
22a	Right cleat	WG1642240033
22b	Cross recessed pan head screws	Q2540830
22c	Spring washer	Q40308
22d	Screw nut	Q340B08
24a	Plate	WG9719930321



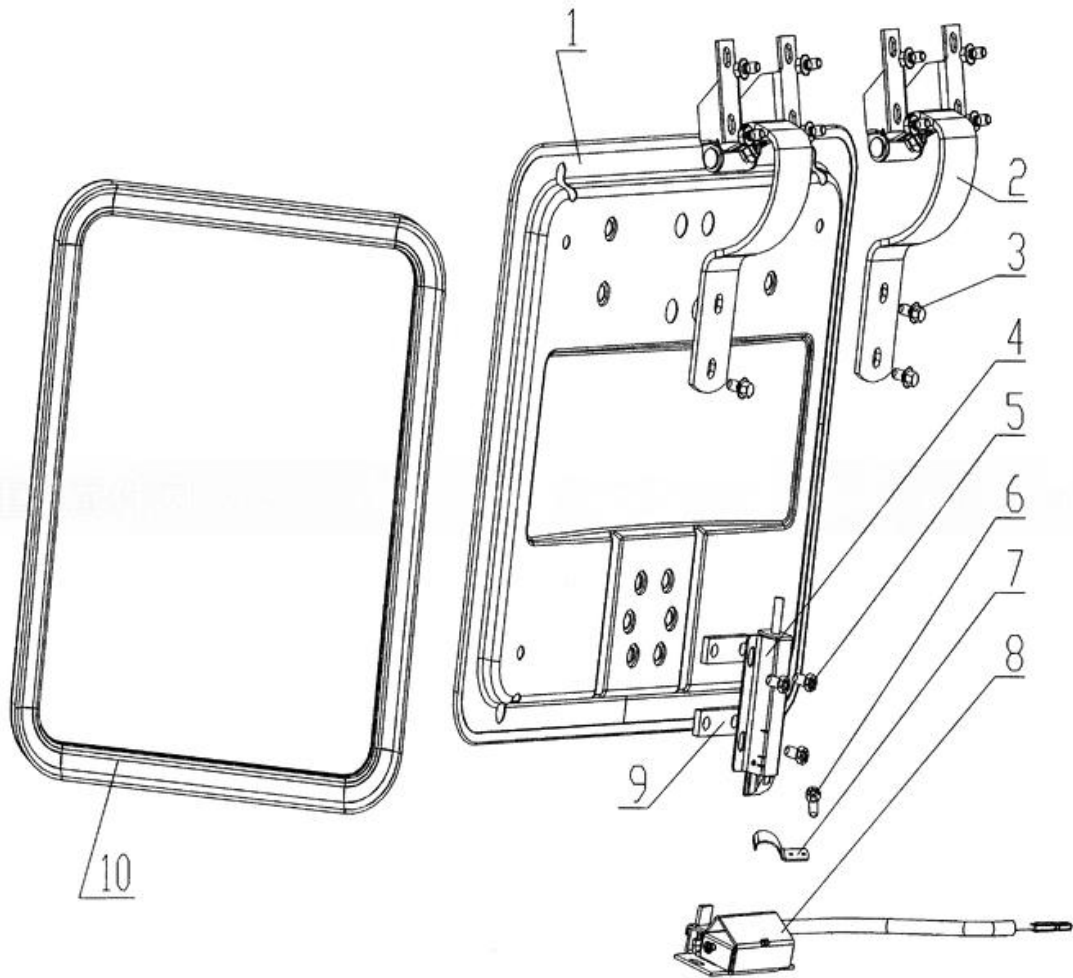
Side guide hood		
HOWO TRUCK CAB		
Sequence	Name	Part No.
1	Right guide hood outer panel assembly	WG1642110001
2	Right wind shield inner plate	WG1642110003
3	Upper connecting plate assembly	AZ1642110006
4	Right lower connecting plate	AZ1642110007
5	Hexagon thin nuts	Q350B06
6	Hex head bolts	Q150B0620
6b	Spring washer	Q40306
7	Hex head bolts	Q150B0820
10	Decorative plate left A column	WG1642110019
12	A column retaining clip	WG1642110021
13	A column fixed plastic rivets	WG1642110022
10a	Decorative plate right A column	WG1642110020
1a	Left guide hood outer panel assembly	WG1642110002
2a	Left wind shield inner plate	WG1642110004
4a	Left lower connecting plate	AZ1642110008
5a	Large Washer	Q40206
5b	Spring washer	Q40306
6a	Large Washer	Q40206
7a	Large Washer	Q40208
7b	Spring washer	Q40308



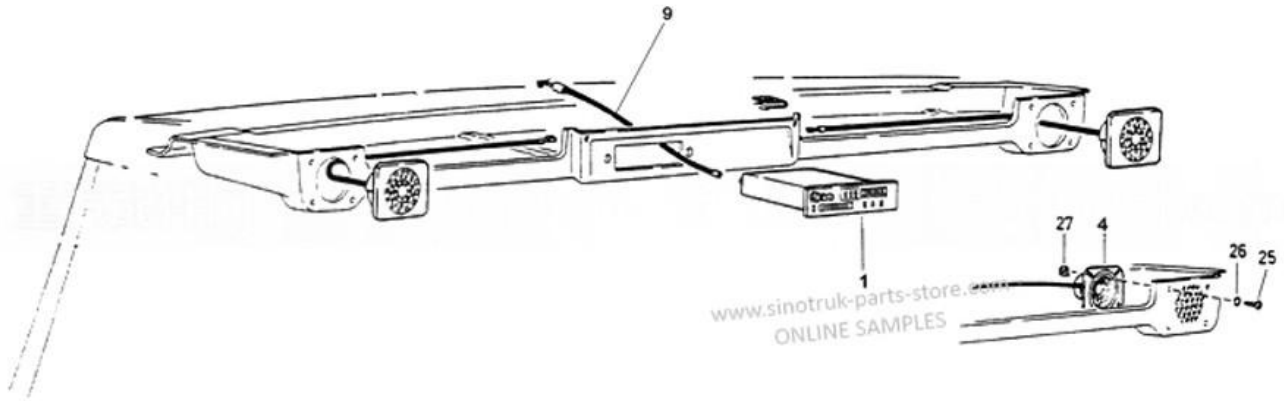
Front cover		
HOWO TRUCK CAB		
Sequence	Name	Part No.
1	Radiator mask	WG1642110013
2	Company logo	AZ1646950001
3	Wordmark	AZ1646950002
4	Mask right lock assembly	WG1642110027
5	Masks left lock assembly	WG1642110028
6	Hex head bolts	Q150B0616
7	Large Washer	Q40206
8	Hinge mount bracket assembly	AZ1642110014
9	Hexagon socket head cap screws	Q218B0870
10	Small Washers	Q40008



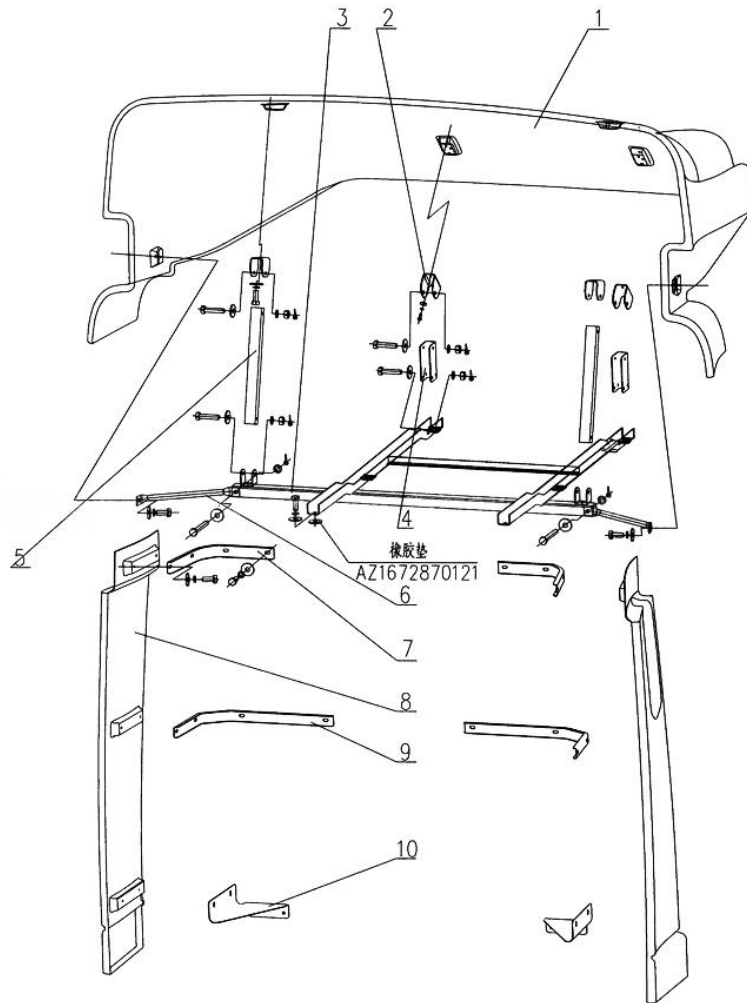
11	Protective strip	WG1642110018
12	Hinge Block	WG1642110016
13	Left hinge welding assembly	AZ1642110032
14	Right hinge welding assembly	AZ1642110033
15	Hinge pin	AZ1642110017
16	Block cover	WG1642930003
17	Right air spring support bolt	WG1642110024
18	Spacer rings	WG9100360134
19	Cotter	Q5002014
20	Hex head bolts	Q150B0616
21	Large Washer	Q40206
22	Hex head bolts	Q150B0816
23	Large Washer	Q40208
24	Flap	WG1642110034



HW76/HW79 Tool box		
HOWO TRUCK CAB		
Sequence	Name	Part No.
1	Upper window plate welding assembly	WG1642270006
2	Toolbox hinge assembly	WG1642290002
3	Hexagon flange bolts	Q1840612
4	Toolbox latch assembly	WG1642290005
5	Hexagon head screws Flower	Q2100612
6	Hexagon head screws	Q218B0616
7	Single-tube clip	Q68108
8	Toolbox lock assembly	WG1642290003
9	Plate	WG1642290004
10	Seal Kit	WG1642290006

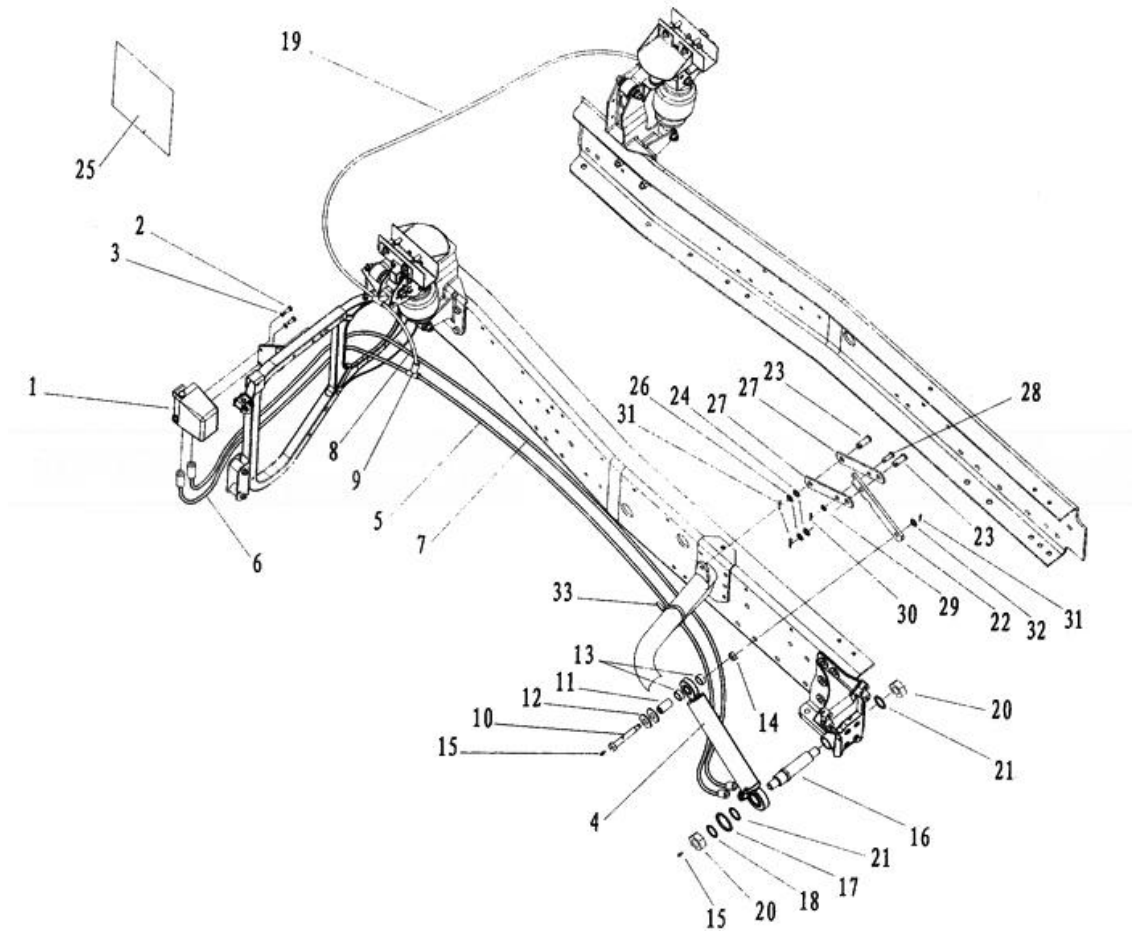


Cassette players		
HOWO TRUCK CAB		
Sequence	Name	Part No.
1	Cassette players (automatically turn with the LCD display)	WG9130780026
1	CD, cassette player	WG9719780002
4	Speaker	WG9719780003
5	Cab roof wiring harness	AZ9719770006
5	Cab roof wiring harness	AZ9719770003
9	Feeder (200cm)	WG9130780001
25	Cross recessed tapping screws elbow	Q2714216
26	Small Washers	Q40004
27	Spring nut	1900039699563



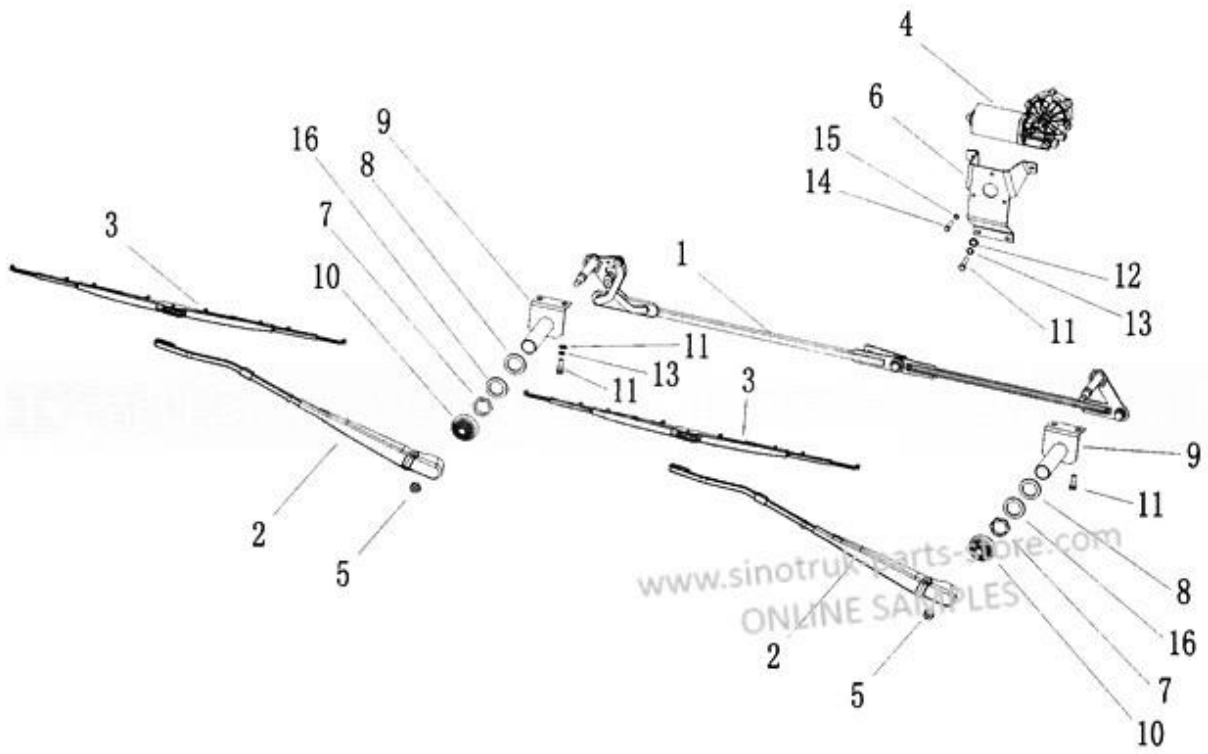
Shroud & Windshield		
HOWO TRUCK CAB		
Sequence	Name	Part No.
20	Spoiler	WG1644870016
1	Shroud assembly	WG1642870141
2	Supports	AZ1642870145
3	Bracket welding assembly	AZ1642870143
4	Front bracket	AZ1642870148
5	After the stent	AZ1642870146
6	Side stand	AZ1642870147
7	Left bracket	WG1644870013
7	Right upper bracket	WG1644870019
7	Side deflector bracket (on)	AZ1642870153
8	Under the deflector (right)	WG1644870011
9	Side deflector bracket (in)	AZ1642870014
10	Lower bracket (right)	AZ1644870015

11	Rubber shock pad	AZ1630230125
12	Rubber mat	AZ1672870121
13	Nut plate assembly	AZ1642930061
21	Deflector on the side bracket	WG1644870017
22	Deflector bracket	WG1644870020
10a	Lower bracket (left)	AZ1644870018
10b	Hex head bolts	Q150B0820
10c	Large Washer	Q40208
10d	Spring washer	Q40308
2a	Hex head bolts	Q150B0820
2b	Large Washer	Q40208
2c	Spring washer	Q40308
3a	Rubber mat	AZ1672870121
3b	Hex head bolts	Q150B0820
3c	Large Washer	Q40208
3d	Spring washer	Q40308
4a	Hex head screw bolt hole	Q173B0870
4b	Cotter	Q5002020
4c	Large Washer	Q40208
4d	Serrated lock washers	Q41208
4e	I type hexagon nuts - fine tooth	Q241B08
5a	Hex head screw bolt hole	Q173B0870
5b	Cotter	Q5002020
5c	Large Washer	Q40208
5d	Serrated lock washers	Q41208
5e	I type hexagon nuts - fine tooth	Q341B08
6a	Hex head screw bolt hole	Q173B0870
6b	Cotter	Q5002020
6c	Serrated lock washers	Q41208
6d	I type hexagon nuts - fine tooth	Q341B08
6e	Large Washer	Q40208
6f	Hex head bolts	Q150B0820
7a	Hex head bolts	Q150B0820
7b	Large Washer	Q40208
7c	Spring washer	Q40308
8a	Lower baffles (left)	AZ1644870012
9a	Hex head bolts	Q150B0820
9b	Large Washer	Q40208
9c	Spring washer	Q40308



Rotating mechanism		
HOWO TRUCK CAB		
Sequence	Name	Part No.
1	Hydraulic hand pump	WG9719820001
1	Hydraulic hand pump	WG9719826001
2	Hex head bolts	Q150B1020
3	Spring washer	Q40310
4	Cab lift cylinder	WG9719820002
5	Single elbow high pressure hose (2600)	WG9719821005
5	Single elbow high pressure hose (2600)	WG9719820005
6	Single elbow high pressure hose (1060)	WG9719820006
6	Single elbow high pressure hose (600)	WG9719821006
7	Double elbow high pressure hose (3150)	WG9719820007
8	Single elbow hose	WG1642440075
9	joint	190003559482

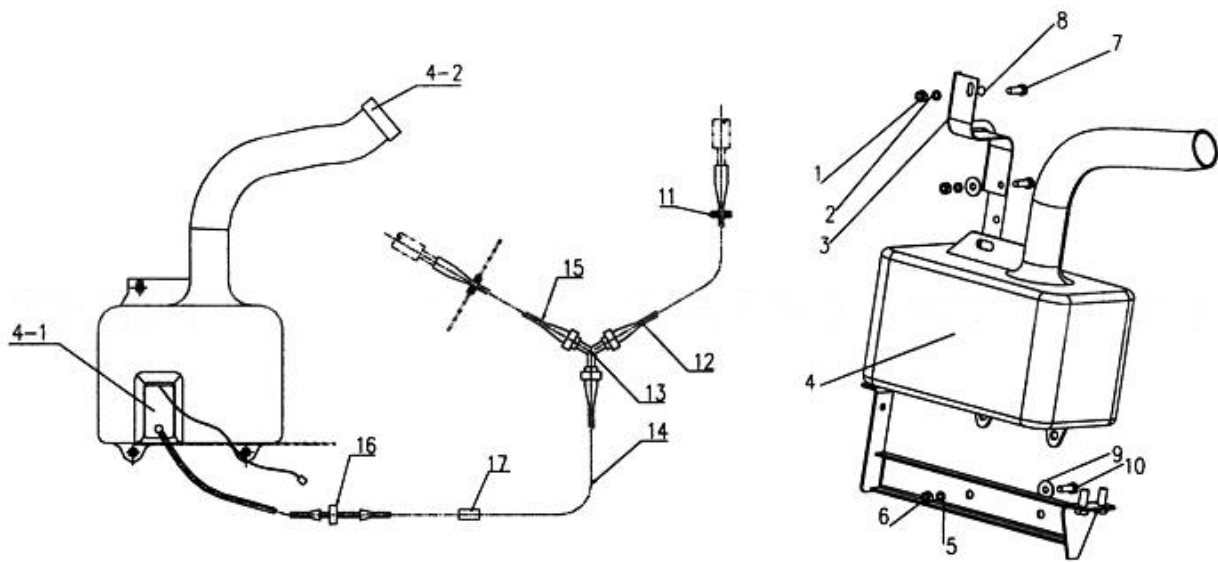
10	Cab tilting cylinder support shaft	AZ9719820008
11	Bush	AZ9719820009
12	Large Washer	Q40216
13	Bush	AZ9719820012
14	Self-locking nuts	190003888459
15	Straight-grease nipple	Q700B06
16	Cab lifting cylinder support shaft	AZ9719820010
17	Large washer	WG9719820011
18	Flat Washers	Q40124
19	Double elbow hose (3500)	WG1642440072
20	Self-locking nuts	Q33424
21	Washer	WG9719820013
22	Stay on	AZ9719820021
23	Pin (h11)	Q5101428
24	Flat Washers	Q40114
26	Wave spring washers	Q41814
27	Under stays	AZ9719820022
28	Pin	190003903452
29	Saddle-shaped spring washers	Q41710
30	Cotter	Q5003216
31	Cotter	Q5004028
32	Flat Washers	Q40112
33	Plastic fastening tape	190003171356



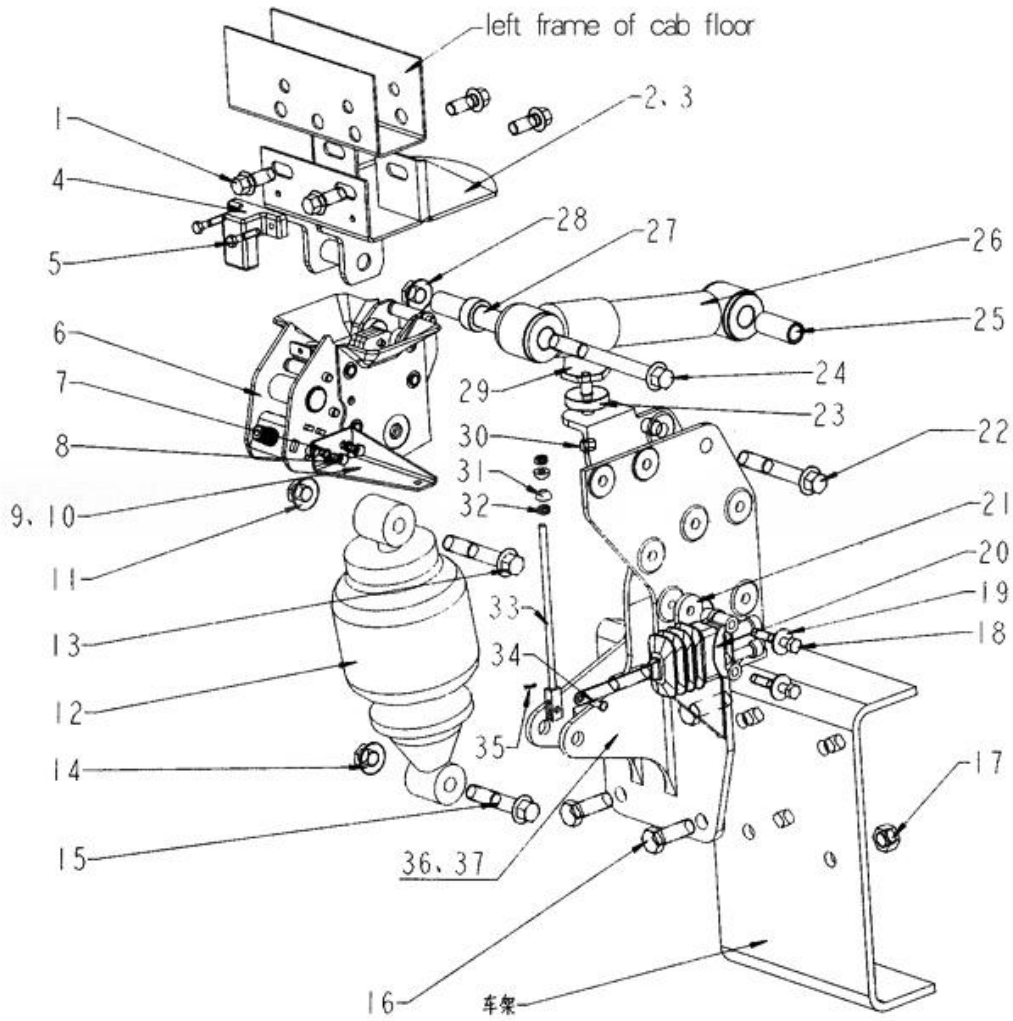
Wiper		
HOWO TRUCK CAB		
Sequence	Name	Part No.
0	Wiper assembly (containing 1 to 5)	WG1642740002
0	Wiper assembly (containing 1 to 5)	WG1646740002
1	Rod assembly	WG1642740009/1
1	Rod assembly	WG1642740009/2
1	Rod assembly	WG1646740009
2	Wiper arm assembly	WG1646740001
2	Wiper arm assembly	WG1642740010/1
2	Wiper arm assembly	WG1642740010/2
3	Blade assembly	WG1642740011/1
3	Blade assembly	WG1642740011/2
4	Wiper motor	WG1642740008/1
4	Wiper motor	WG1642740008/2
5	Flange lock nut	Q33010
6	Motor bracket	WG1642740003/1



6	Motor bracket	WG1642740003/2
7	Hexagon thin nuts	AZ1642740004
8	Thin washers	AZ1642740005
9	Bearing assembly	AZ1642740006
10	Cover	AZ1642740007
11	Hex head bolts	Q150B0812
12	Flat Washers	Q40108
13	Spring washer	Q40308
14	Hex head bolts	Q150B0616
15	Spring washer	Q40306
16	Flat Washers	Q40126

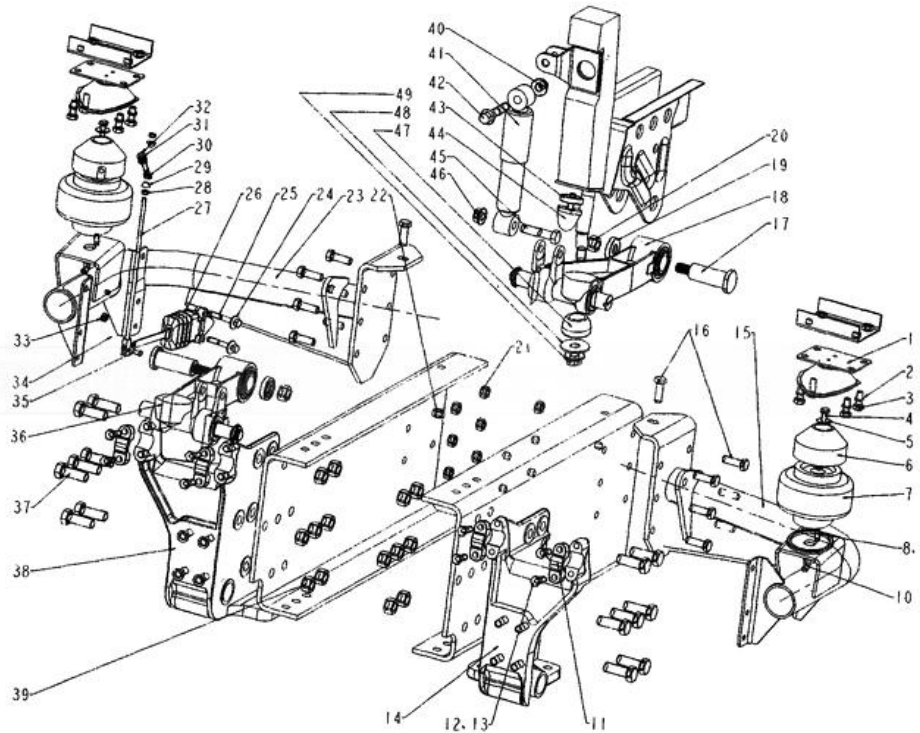


Windshield wash mechanism		
HOWO TRUCK CAB		
Sequence	Name	Part No.
1	I type hexagon nuts	Q340B06
2	Spring washer	Q40306
3	Windshield washer container holder	AZ1646860005
3	Windshield washer container holder	AZ1642860009
4	Windshield washer assembly	WG1642860001/1
4	Windshield washer assembly	WG1646860001
5	Spring washer	Q40308
6	I type hexagon nuts	340B08
7	Hex head bolts	Q150B0625
8	Large Washer	Q40206
9	Large Washer	Q40208
10	Hex head bolts	Q150B0830
11	Over board retainer	AZ1642860007
12	Hose	AZ1642860003
13	V-type fittings	116100770121
14	Hose	AZ1642860005
15	Hose	AZ1642860004
16	Two-way connector	AZ1600860121
17	Wire bundle clamps	WG1600860008
18	Bracket assembly	AZ1646860004
4-1	Washer pump	WG1642860001-1
4-2	Cover	WG1642860001-2



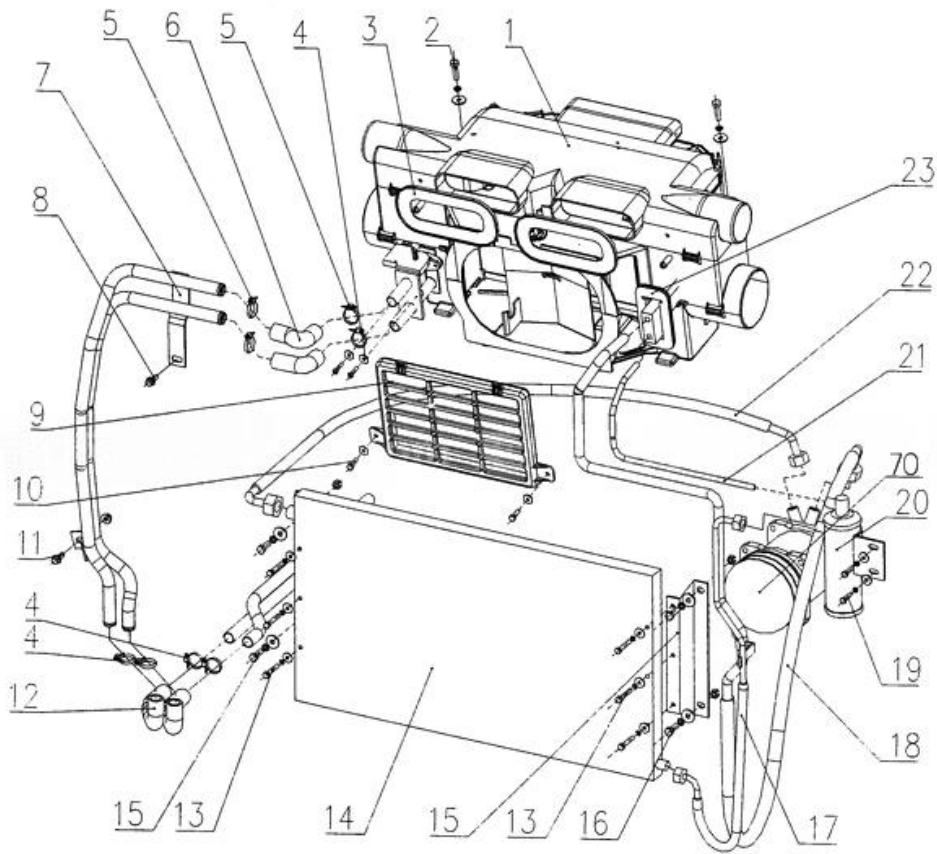
Rear suspension of cab		
HOWO TRUCK CAB		
Sequence	Name	Part No.
1	Hexagon flange bolts	Q1841230
2	Left upper bracket assembly	WG1642440040
3	Right upper bracket assembly	WG1642440041
4	Cab lock signal switch	WG1642440052
5	Hex head bolts	Q150B0630
6	Hydraulic lock assembly	WG1642440101
7	Spring washer	Q40306
8	Hex head bolts	Q150B0610
9	Putter left bracket	WG1642440055
10	Right putter stand	WG1642440056

11	Full Metal hex flange self-locking nut	Q33014
12	Rear suspension shock absorber	AZ1642440025
12	Rear suspension shock absorber	AZ1642440027
12	Rear suspension shock absorber	WG1642440028
13	Hexagon flange bolts	Q1841480
14	Full Metal hex flange self-locking nut	Q33014
15	Hexagon flange bolts	Q1841470
16	Hex head bolts	Q151B1445
17	Self-locking nuts	190003888458
18	Hex head bolts	Q150B0850
19	Large Washer	Q40208
20	Height control valve assembly	WG1642440051
21	Plate	AZ1642440035
22	Hexagon flange bolts	Q1841490
23	Stopper washer	AZ1642430082
24	Hexagon flange bolts	Q18414140
25	Bush	AZ1642440032
26	Lateral stability shock absorber assembly	AZ1642440021
27	Bush	AZ1642440031
28	Full Metal hex flange self-locking nut	Q33014
29	Stopper assembly	WG1642430081
30	I type hexagon nuts	Q340B10
31	Hemisphere gasket	AZ1642430036
32	I type hexagon nuts	Q340B06
33	Pushrod assembly II	WG1642440060
34	Pin	Q5100614
35	Cotter	Q5002012
36	Left bracket	AZ1642440011
36	Left bracket	AZ1642440013
36	Left bracket	AZ1642440015
37	Right bracket	AZ1642440012
37	Right lower bracket	AZ1642440014
37	Right lower bracket	AZ1642440016
38	Joint body	WG1642440070
39	Double elbow hose	WG1642440072



Front suspension of cab		
HOWO TRUCK CAB		
Sequence	Name	Part No.
1	Air spring bracket assembly	AZ1642430030
1	Upper support	AZ1642430125
2	Spring washer	Q40310
3	Hex head bolts	Q150B1025
4	Hex head bolts	Q150B0820
5	Serrated lock washers	Q41208
6	Guide cone block	WG1642430033
6	Gasket	AZ1642430116
7	Air spring assembly	AZ1642430085
7	Coil spring assembly	WG1642430118
7	Coil spring assembly	WG1642430117
8	Spring washer	Q40308
9	Hex head bolts	Q150B0820
10	Pipe joint assembly	WG1642430086
11	Cover	AZ1642430043
12	Spring washer	Q40312
13	Hex head bolts	Q150B1235
14	Left front cab support bracket	AZ1642430041

15	Lower left front suspension bracket assembly	WG1642430010
15	Lower left front suspension bracket assembly	AZ1642430110
15	Lower left front suspension bracket assembly	AZ1642430126
16	Hex head bolts (fine tooth)	Q151C1235
17	Bolt	AZ1642430071
18	Left arm assembly	AZ1642430051
19	Shaped washer	AZ1642430072
20	Self-locking nuts	190003888459
21	Self-locking nuts	190003888457
22	Self-locking nuts	190003888457
23	Right front suspension bracket assembly	WG1642430020
23	Right front suspension bracket assembly	WG1642430120
23	Right front suspension bracket assembly	AZ1642430127
24	Large Washer	Q40208
25	Hex head bolts	Q150B0855
26	Height control valve assembly	WG1642440051
27	Push rod	WG1642430035
28	I type hexagon nuts	Q340B09
29	Hemisphere gasket	AZ1642430036
30	Push rod connecting rod	AZ1642430034
31	A type hexagon nuts	Q340B08
32	Serrated lock washers	Q41208
33	A type hexagon nuts	Q340B08
34	Cotter	Q5002012
35	Pin	Q5100614
36	Right arm assembly	AZ1642430052
37	Hex head bolts	Q151B1645
38	Cab right front support bracket (left symmetrically)	AZ1642430042
39	Self-locking nuts	190003888459
40	Full Metal hex flange self-locking nut	Q33014
41	Front shock absorber assembly	AZ1642430091
42	Hexagon flange bolts	Q1841470
43	Stopper washer	AZ1642430082
44	Stopper assembly	WG1642430081
45	Hex head bolts	Q150B1460
46	Full Metal hex flange self-locking nut	Q33014
47	Rubber stopper	AZ1642430097
48	Large Washer	Q40216
49	Full Metal hex flange self-locking nut	Q33016



Air conditioning		
HOWO TRUCK CAB		
Sequence	Name	Part No.
1-46	Retaining plate	AZ1630840021
1-2	Drip tube	AZ1630840091
23	Rubber bushing	WG1630820019
1-21	Link shaft	AZ1630840046
1a	Hex head bolts	Q150B0830
1-3	Electronically controlled valve for radiator assembly	AZ1630840319
24	Control panel assembly	WG1630840032
1-22	Link shaft	AZ1630840047
1b	Spring washer	Q40308
1-3-1	Heat sink	AZ1630840074
25	Temperature sensor assembly	WG1630820313
1-23	2 # steering	AZ1630840325
1c	Large Washer	Q40208
1-3-2	Inlet assembly	AZ1630840073
26	Air conditioning wiring harness assembly	AZ1630820312
1-24	Screws	Q2723525

3	Flat rubber sealing sleeve	AZ1630840062
1-3-3	O-ring	AZ1630840066
70	Refrigeration Compressors	WG1500139000
1-25	Arm	AZ1630840313
4	Screws	Q2714825
1-3-4	Outlet assembly	AZ1630840072
70-1	Refrigeration compressor	WG1500139000/3
1-26	Crank pulling shaft	AZ1630840314
4a	Large Washer	Q40206
1-3-5	Valve assembly (electronically controlled)	AZ1630840320
71	Bushings	1581C160018
1-27	Lotus seat	AZ1630840053
5	Hose clamps	190003989340
1-4	3 # steering valve	AZ1630840326
72	Bracket	AZ1500130018
1-28	The housing	AZ1630840311
6	Hose	WG1642840091
1-5	Screws	Q2723525
72	Bracket	AZ1500130107
1-29	Self-adhesive gasket outlet II	AZ1630840401
7	Pipe assembly	AZ1642840013
1-6	HVAC	AZ1642820010
73	Hex head bolts	Q150B10130
1-30	Foam seal	AZ1630840093
8	Hexagon flange bolts	Q1840816
1-6-1	Expansion valve	AZ1642820010-1
74	Spacer plates	161500130027
1-31	Clamp connection	AZ1630840063
9	Air inlet grille assembly	AZ1642840084
15a	Right condenser bracket assembly	WG1642828012
1-6-2	Temperature Sensor	AZ1642820010-2
76	Hex head bolts	Q150B0825
1-32	Left throttle	AZ1630840037
10	Hex head bolts	Q150B0620
16	Hex head bolts	Q150B0825
1-7	Into the throttle assembly	AZ1630840015
77	Small Washers	Q40008
1-33	Right throttle (left symmetrically)	AZ1630840038
10a	Large Washer	Q40206



16a	Spring washer	Q40308
1-8	The housing	AZ1630840312
78	Wave spring washers	Q41808
1-34	Front flap	AZ1630840040
11	Hexagon flange bolts	Q1840825
16b	Large Washer	Q40208
1-9	I foam seal	AZ1630840092
79	Tightening bolts	AZ1500090026
1-35	Link shaft	AZ1630840041
11a	All-metal hexagon nuts with flange	Q33008
16c	A type hexagon nuts	Q340B08
1-10	Clamp connection	AZ1630840063
79	Tightening bolts	AZ1500130105
1-36	Square shaft	AZ1630840035
12	Forming hose	WG1642840092
17	Hose	WG1642820017
1-11	Fan assembly	AZ1642820010
80	Flat Washers	Q40110
1-37	After the throttle	AZ1630840036
13	Hex head bolts	Q150B0640
18	Steam - pressure hose assemblies	WG1642820019
1-12	Fan wiring harness assembly	AZ1630840323
81	Hex nuts	Q340B10
1-38	Crank pulling shaft	AZ1630840039
13a	Spring washer	Q40306
18	Steam - pressure hose assemblies	WG1642828019
1-13	Screws	Q2714216
82	Type 2 all-metal hexagon nuts	Q33208
1-39	Lotus seat	AZ1630840053
13b	Large Washer	Q40206
19	Hex head bolts	Q150B0625
1-14	Blower block assembly (Nanjing Austrian)	AZ1630840321
83	V-belts	WG1500130110
1-40	Bevel gear sector	AZ1630840034
14	Condenser assembly	WG1630820073
19	Spring washer	Q40306
1-15	Rotating plate	AZ1630840049
83	V-belts	WG1500130016
1-41	Bevel gear shaft	AZ1630840315

15	Left condenser bracket assembly	WG1642820011
19	Large Washer	Q40206
1-16	Rotating arm	AZ1630840050
83-1	V-belts	WG1500130016/3
1-42	Open ring	Q43660
15a	Left condenser bracket assembly	WG1642828011
20	Accumulator assembly	WG1642820015
1-17	Torsion	AZ1630840051
1-43	1 # diverter (Radical 182 damper)	AZ1630840324
15	Right condenser bracket assembly	WG1642820012
21	High pressure steam pipe	WG1642820018/1
1-18	Large washer	AZ1630840052
1-44	Screws	Q2723525
1	Air conditioner assembly	WG1642820002
22	Hose	WG1642820016
1-19	Snap ring	AZ1630840065
1-45	Inlet seal ring	AZ1630840016
1-1	Lower case	AZ1630840013
22	Hose	WG1642828016
1-20	Link shaft	AZ1630840045