



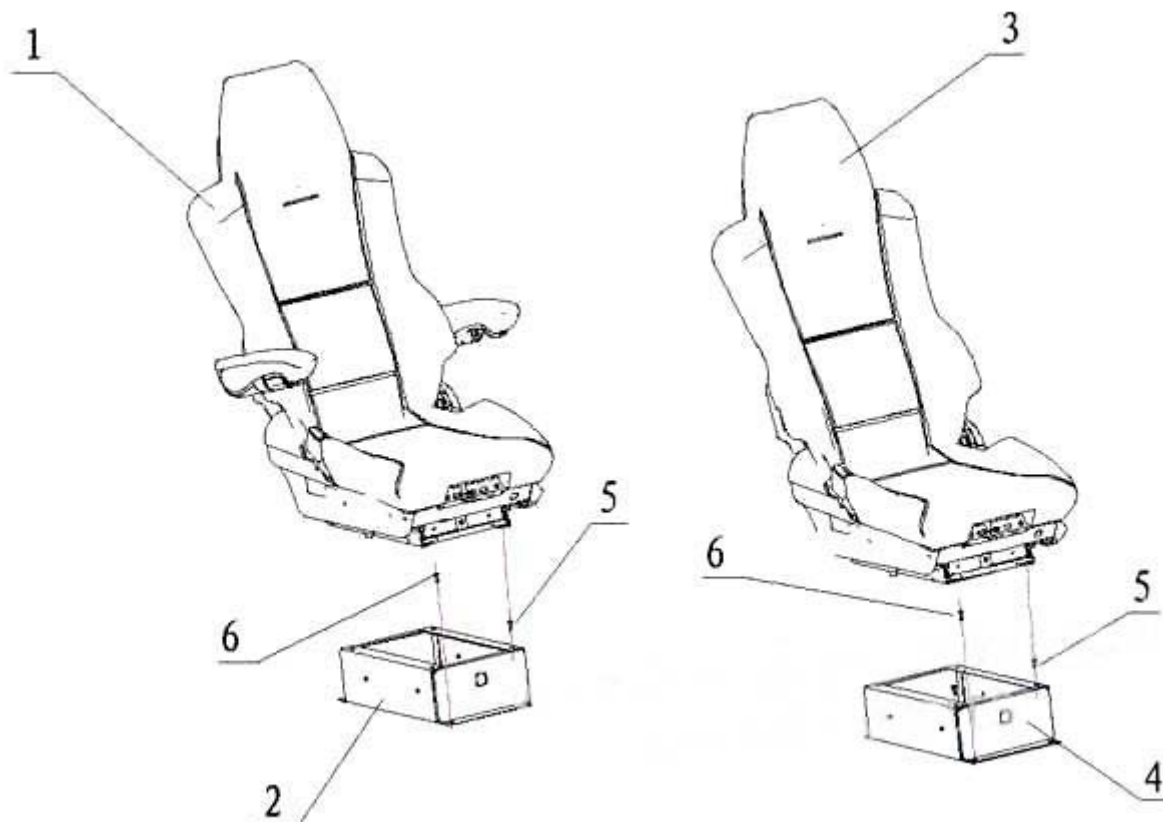
SINOTRUK

HOWO A7 CAB

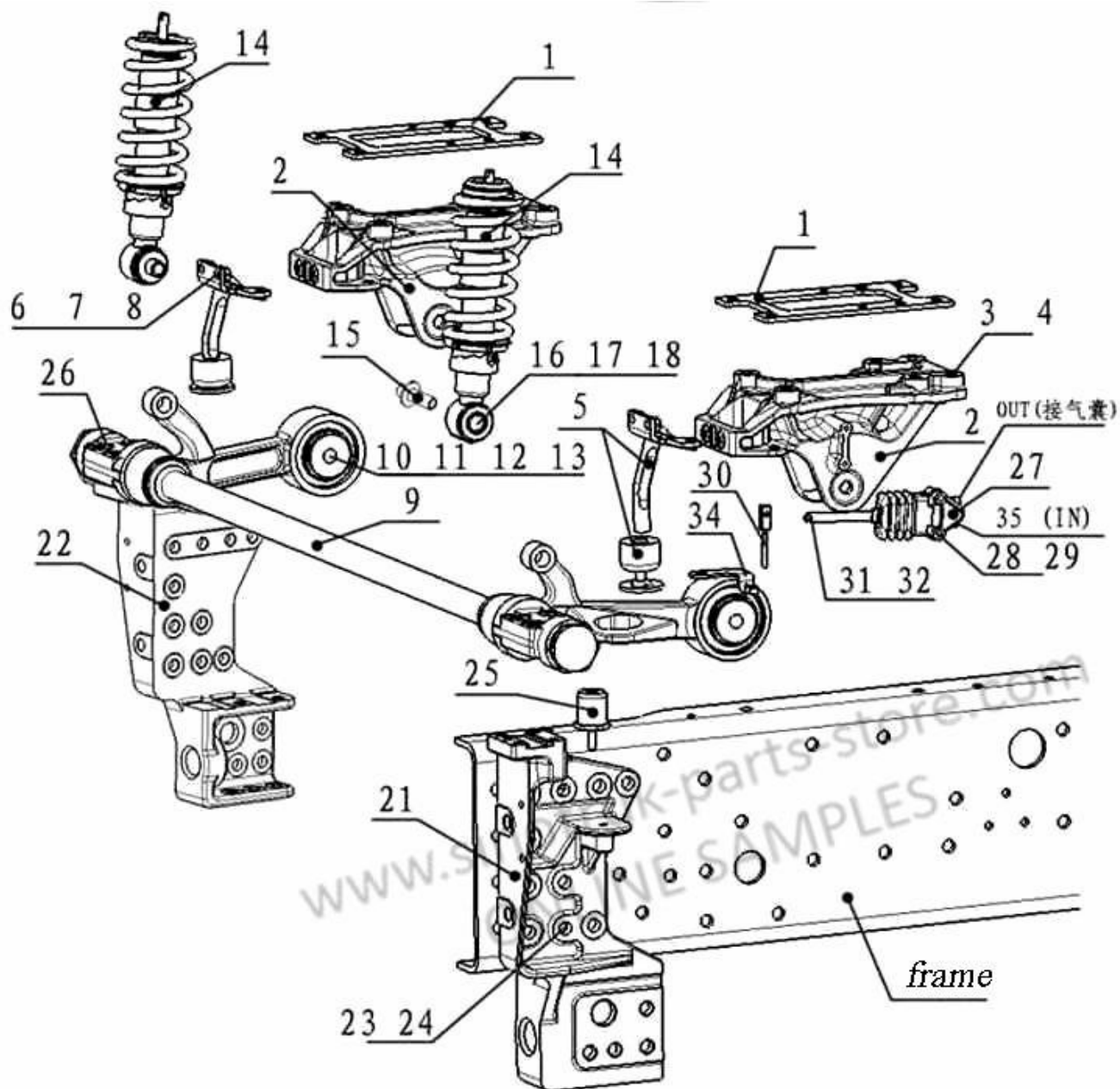
SPARE PARTS CATALOG

INDEX

SEAT	Page 3
FRONT SUSPENSION OF CAB	Page 4
REAR SUSPENSION OF CAB	Page 6
LIFTING DEVICE	Page 9
DOOR, GLASS & ACCESORY	Page 11
DOOR GLASS	Page 14
SIDE VISOR	Page 15
DOOR LOCK	Page 16
MUDGUARD	Page 18
STEP GUARD	Page 19
REAR VIEW MIRROR	Page 20
SUN VISOR	Page 21
WIPER	Page 22
INSTRUMENT BOARD	Page 23
GROCERY BOX	Page 24
LOWR BERTH FOR MID-LONG CAB	Page 25
LINING FOR HIGH FLOOR HIGH ROOF CAB	Page 27
WINDSHIELD WASHER FOR HIGH FLOOR	Page 29
WINDSHIELD WASHER FOR LOW FLOOR	Page 30
REAR FENDER FOR MID/LONG CAB	Page 31
WIND SCOOPER	Page 32
SIDE & REAR AIR GUIDING DEVICE FOR FLAT ROOF HIGH FLOOR CAB	Page 33
AIR GUIDING SLEEVE FOR FLAT ROOF CAB	Page 34
SIDE & REAR AIR GUIDING DEVICE FOR FLAT ROOF LOW FLOOR CAB	Page 36
LOWER FENDER FOR HIGH FLOOR MID-LONG CAB	Page 37



SEAT			
<i>SINOTRUK A7 CAB</i>			
Serial	Number	Name	Quantity
1	AZ1662510001	air suspension left seat assy	1
2	AZ1662510010	left box	1
3	AZ1662510002	right seat with belt	1
4	AZ1662510009	right box	1
5	190003862130	inner hex column head screw	8
6	Q150B1045	hex head screw	8

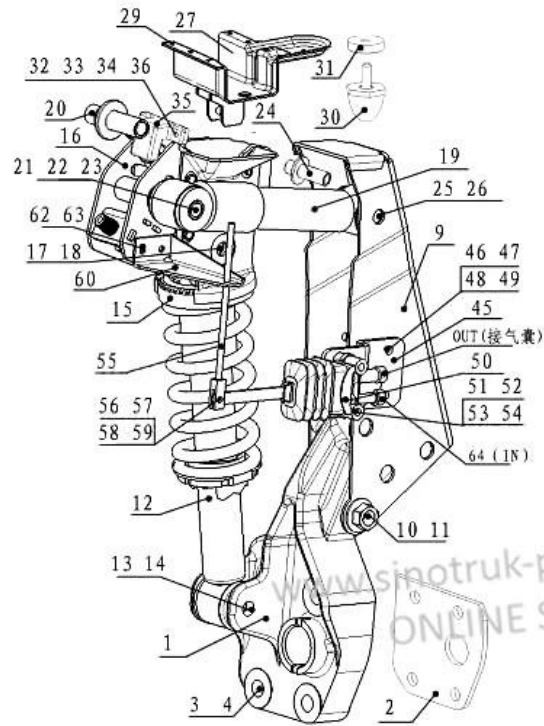


FRONT SUSPENSION OF CAB

SINOTRUK A7 CAB

Serial	Number	Name	Quantity
1	AZ1664430087	Plate	2
2	AZ1664430041	Front sususpension transitional bracket	2
3	Q1841470	Screw	12
4	Q33014	Nut	12
5	AZ1664430080	Limit bar assembly	2

6	Q1841035	Screw	8
7	Q40110	Washer	8
8	Q33010	Nut	4
9	AZ1664430021	Overturn axis assembly	1
10	AZ1664430098	Screw	2
11	Q340B18	Nut	2
12	Q40318	Spring washer	2
13	Q40118	Washer	2
14	WG1664430078	Front sususpension assembly (air spring)	2
15	AZ1664430061	Bush	2
16	Q18414100	Screw	2
17	Q40214	Washer	2
18	Q33014	Nut	2
19	AZ1664430093	Front sususpension limit block	2
20	AZ1664430083	Limit plate assembly	2
21	AZ1664430051	Front sususpension bracket (left)	1
22	AZ1664430052	Front sususpension bracket (right)	1
23	Q151B1645	Screw	24
24	190003888459	Nut	24
25	AZ1664430094	Front sususpension limit block assembly	2
26	Q1841260	Screw	8
27	WG1642440051	Cortrol valve	1
28	Q40008	Washer	2
29	Q150B0850	Screw	2
30	AZ1664430245	Adjust bar assembly	1
31	Q5100614	Pin	1
32	Q5002012	Pin opening	1
34	AZ1664430065	Push-bar board	1
35	190003179782	Tube	
36	WG9000361316	T-tie in	1
38	Q1460820	Screw	4
39	Q40114	Washer	12



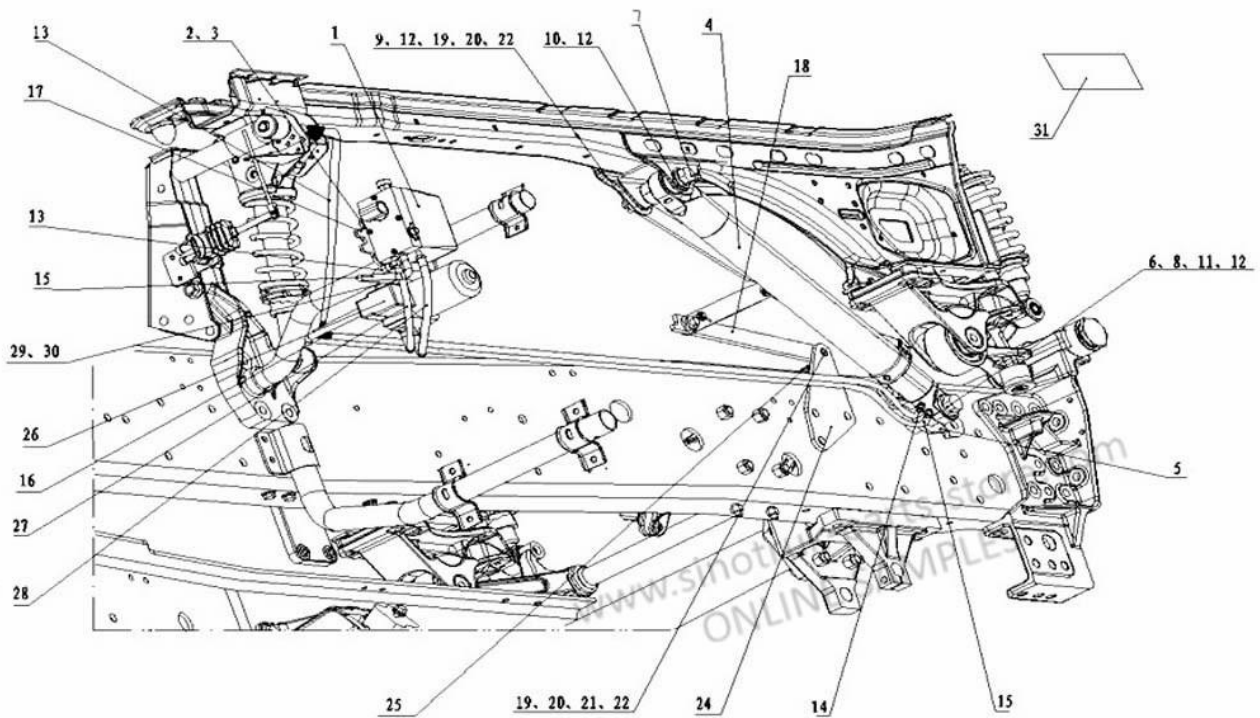
REAR SUSPENSION OF CAB

SINOTRUK A7 CAB

Serial	Number	Name	Quantity
1	AZ1664440011	Rear suspension bracket (left)	1
2	AZ1664440013	Plate	1
3	Q151B1470	Screw	4
4	190003888458	Nut	4
5	AZ1664440012	Rear suspensions bracket (right)	1
6	AZ1664440013	Plate	1
7	Q151B1470	Screw	4
8	190003888458	Nut	4
9	AZ1664440021	Rear sususpension transitional bracket	2
10	Q18416110	Screw	6
11	Q33016	Nut	6
12	WG1664440068	Rear sususpension assembly (air spring)	2
13	Q1841490	Screw	2
14	Q33014	Nut	2
15	AZ1664440091	Spacing loop	2

16	WG1664440101	Hydraulic pressure lock assembly	2
17	Q1841480	Screw	2
18	Q33014	Nut	2
19	WG1642440021	Transverse suspension assembly	2
20	AZ1664440031	Bush	2
21	Q40214	Washer	2
22	Q18414140	Screw	2
23	Q33014	Nut	2
24	AZ1664430061	Bush	2
25	Q18414100	Screw	2
26	Q33014	Nut	2
27	WG1664440050	Bracket assembly (left)	1
28	WG1664440051	Bracket assembly (right)	1
29	Q1840825	Screw	12
30	WG1642430081	Limit block assembly	2
31	WG1642430082	Washer	2
32	Q40210	Washer	2
33	Q40310	Washer	2
34	Q340B10	Nut	2
35	WG1642440052	Lockup signal switch	2
36	Q150B0630	Screw	4
37	199014280016	Bush	1
38	190003559561	Bush	1
39	190003559516	Nut	1
40	WG1642440070	Tie in	1
41	190003559561	Bush	1
42	190003559516	Nut	1
43	WG1642440071	Tube	1
44	190003171356	Strain-belt	5
45	AZ1664440071	Control valve bracket	1
46	Q150B0825	Screw	4
47	Q40208	Washer	4
48	Q40308	Washer	4
49	Q340B08	Nut	4
50	WG1642440051	Control valve	2
51	Q150B0855	Screw	4
52	Q40008	Washer	4
53	Q40308	Washer	4

54	Q340B08	Nut	4
55	WG1642440060	Push bar	2
56	Q5100614	Pin	2
57	Q5002012	Pin opening	2
58	AZ1642430036	Hemispherical washer	4
59	Q340B06	Nut	8
60	WG1642440055	Push-bar bracket (left)	1
61	WG1642440056	Push-bar bracket (right)	1
62	Q150B0610	Screw	4
63	Q40306	Washer	4
64	190003179782	Tube	
65	WG9000361316	T-tie in	1

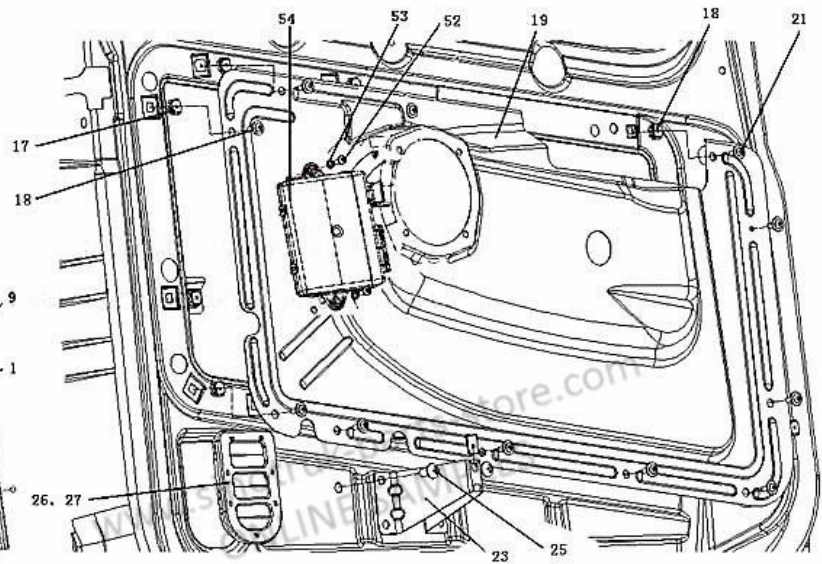
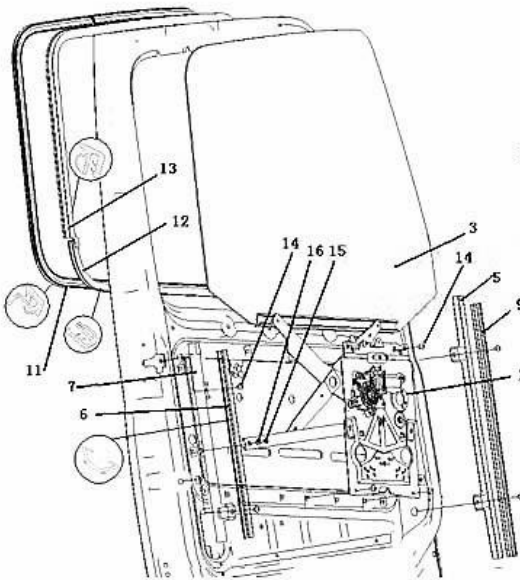
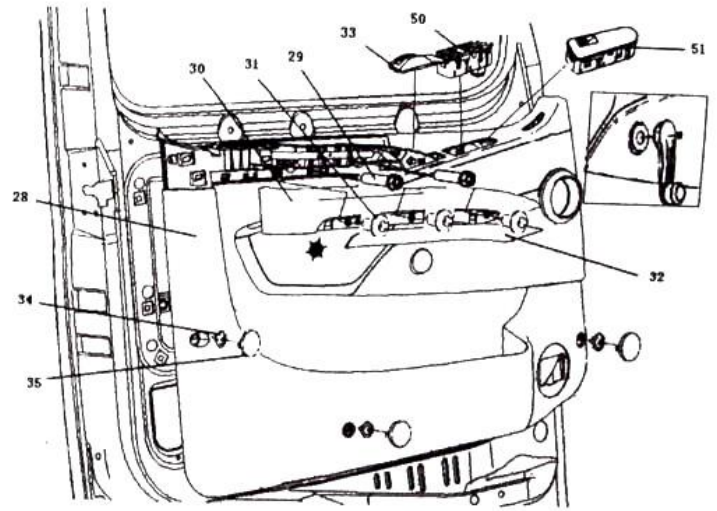
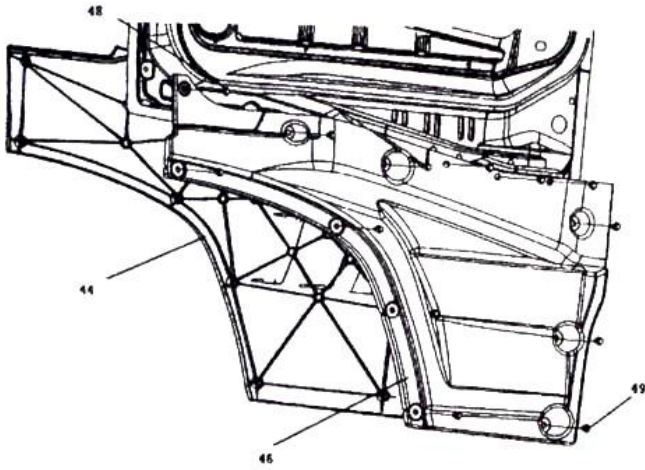


LIFTING DEVICE

SINOTRUK A7 CAB

Serial	Number	Name	Quantity
1	WG9925821002	Handpump	1
2	Q150B1020	Screw	2
3	Q40310	Spring washer	2
4	WG9925820004	Cylinder	1
5	AZ9925821005	Cylinder bracket	1
6	Q150B20140	Screw	1
7	AZ9925820045	Axletree	1
8	Q33420	Nut	1
9	Q351B20	Nut	1
10	Q40320	Spring washer	1
11	Q40220	Washer	1
12	Q40120	Washer	4
13	WG9925820007	Tube	2
14	WG9925820009	Tube	1
15	WG9925820046	Tube	1

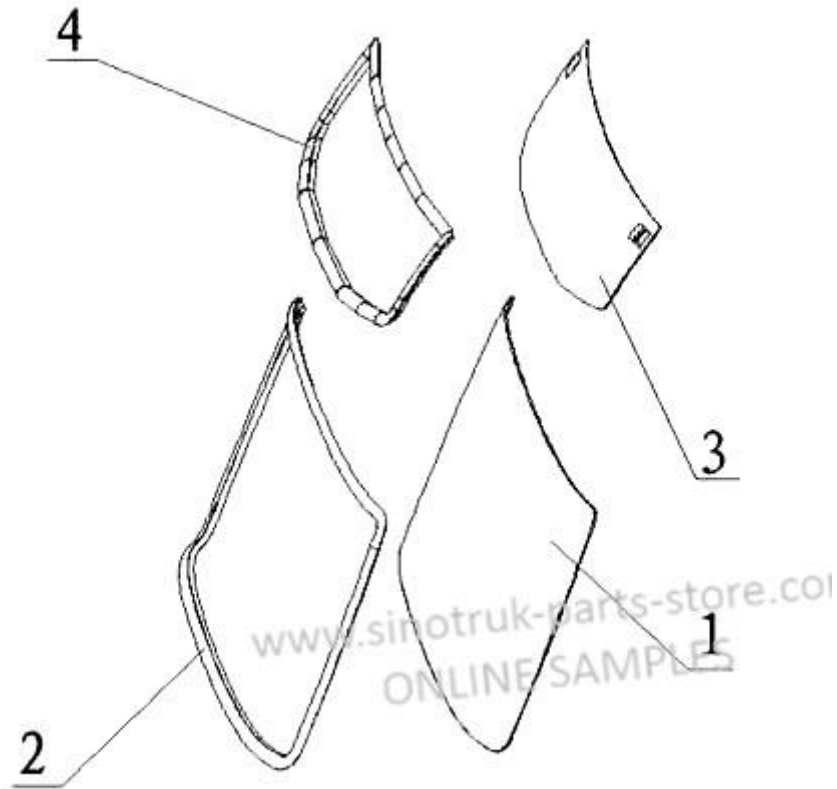
16	190004000000	Tie-in	1
17	AZ9925821009	Handpump bracket	1
18	AZ9925820020	Drawstring	1
19	Q40114	Washer	2
20	Q5004030	Axletree	2
21	Q5101428	Axletree	1
22	Q41814	Washer	2
23	190003000000	Plastic tie	15
24	AZ9925820017	Bracket	1
25	1-99-960-010	Rubber block	1
26	WG9925821031	Electric dump	1
27	WG9925820040	Tube	1
28	WG9925820041	Tube	1
29	Q150B0820	Screw	2
30	Q40308	Spring washer	2
31	AZ9719820098	Exponent	1



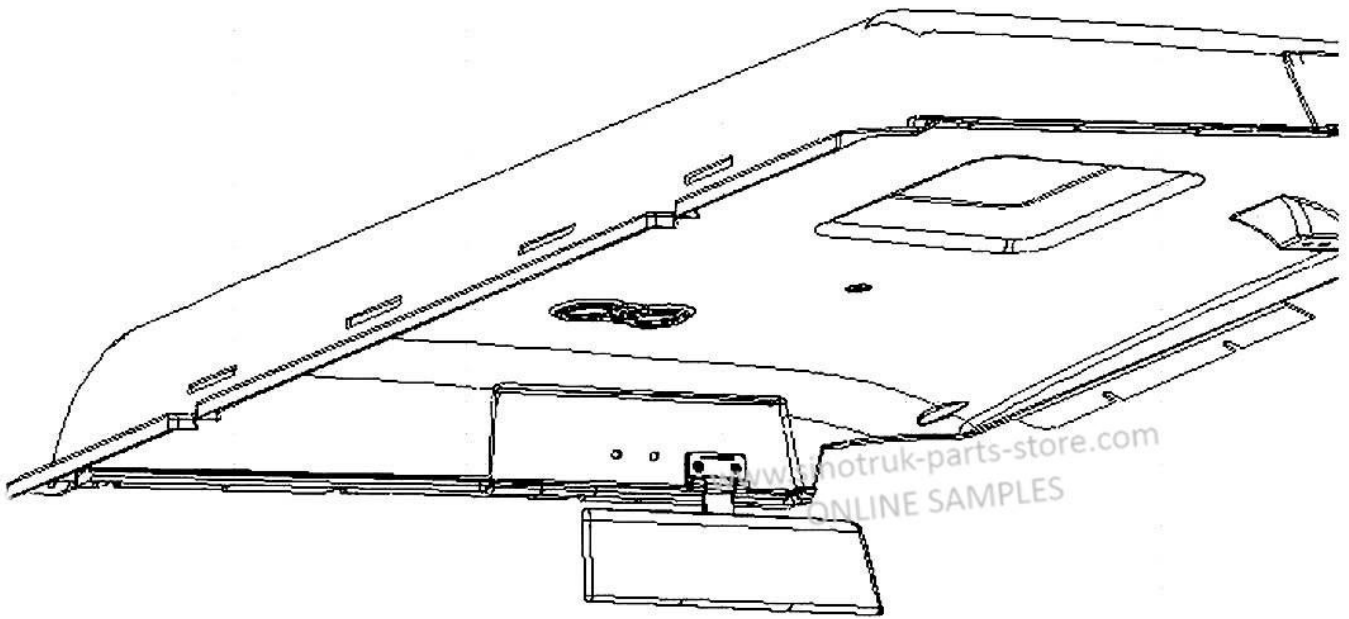
DOOR, GLASS & ACCESORY			
SINOTRUK A7 CAB			
Serial	Number	Name	Quantity
1	WG1664330003	Window lifter left	1
2	WG1664330004	Window lifter right	1
3	WG1664330015	Door glass left	1

4	WG1664330016	Door glass right	1
5	WG1664330009	Glass guide left front	1
6	WG1664330018	Sealing profile II	2
7	WG1664330011	Glass guide left rear	1
8	WG1664330010	Glass guide right front	1
9	WG1664330017	Sealing profile I	2
10	WG1664330012	Glass guide right rear	1
11	WG1664330019	Outer sealing profile	2
12	WG1664330020	Inter sealing profile I	2
13	WG1664330021	Inter sealing profile II	2
14	Q2140810	Screw	16
15	Q40205	Washer	2
16	Q1840520	Screw	2
17	AZ1664930001	plastic nut-plate	22
18	AZ1642770017	plastic nut	2
19	WG1664330033	cover panel left	1
20	WG1664330034	cover panel right	1
21	Q2713516	screw	2
22	Q2214816	screw	22
23	AZ1664330019	bracket left	1
24	AZ1664330020	bracket right	1
25	Q2140816	screw	4
26	WG1664330023	sealing profile	2
27	WG1664330022	breather	2
28	WG1664330025	Internal lining for left door	1
29	Q174B0840	screw	2
30	WG1664330040	Cover left	1
31	Q2204816	screw	3
32	WG1664330045	Cover	1
33	WG1664330051	plug left	1
34	Q2214816	screw	3
35	WG1664330097	Cover	3
36	WG1664330026	Internal lining for right door	1
37	Q174B0840	screw	2
38	WG1664330140	Cover right	1
39	Q2204816	screw	3
40	WG1664330097	Cover	3
41	WG1664330145	Cover	1

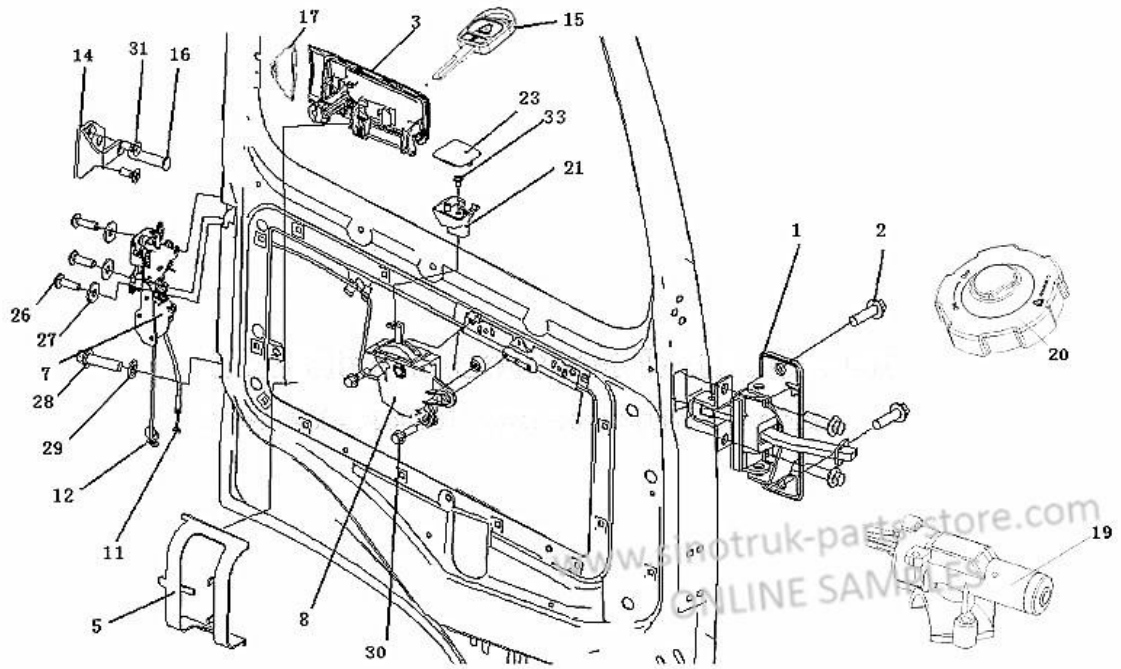
42	WG1664330151	plug right	1
43	Q2214816	screw	3
44	WG1664330005	Outer garnish left	1
45	WG1664330006	Outer garnish right	1
46	WG1664330007	inter garnish left	1
47	WG1664330008	inter garnish right	1
48	Q1840616	six point socket screw	4
49	Q1840816	six point socket screw	22
50	WG1664331061	control unit right	1
51	WG1664331062	control unit left	1
52	Q2140514	Screw	2
53	Q40105	Washer	2
54	WG1664331063	control unit right	8
55	WG1664331064	control unit left	8



DOOR GLASS			
SINOTRUK A7 CAB			
Serial	Number	Name	Quantity
1	WG1664710001	door glass	1
2	WG1664710010	sealing stripe	1
4	WG1664710011	upper windscreen glass	2
5	WG1664710020	sealing stripe	2

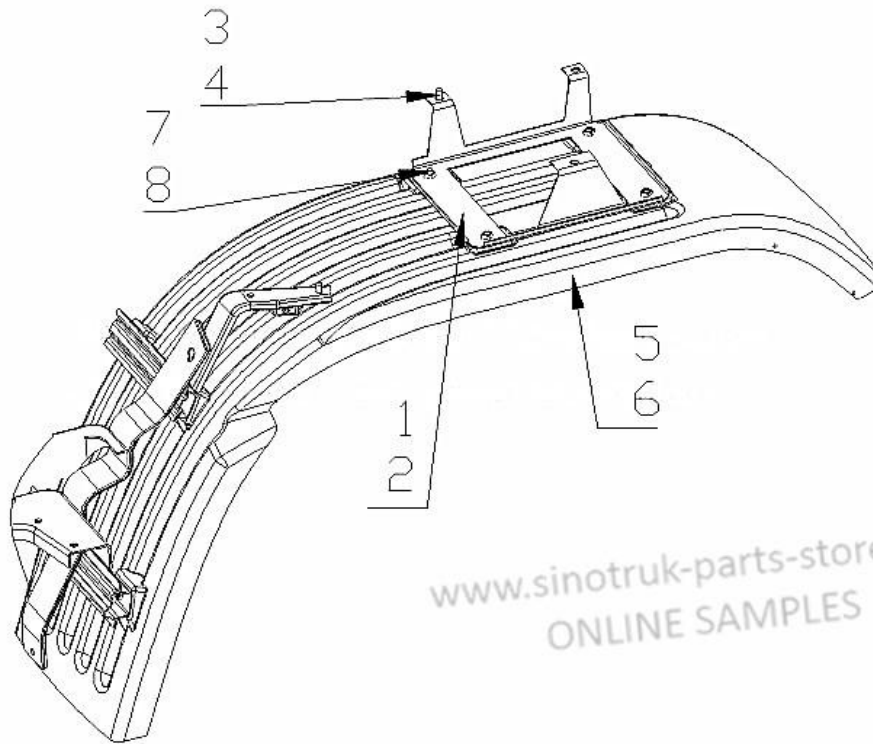


SIDE VISOR			
<i>SINOTRUK A7 CAB</i>			
Serial	Number	Name	Quantity
1	WG1664772002	side visor	1
2	Q2300620	screw and gasket set	2

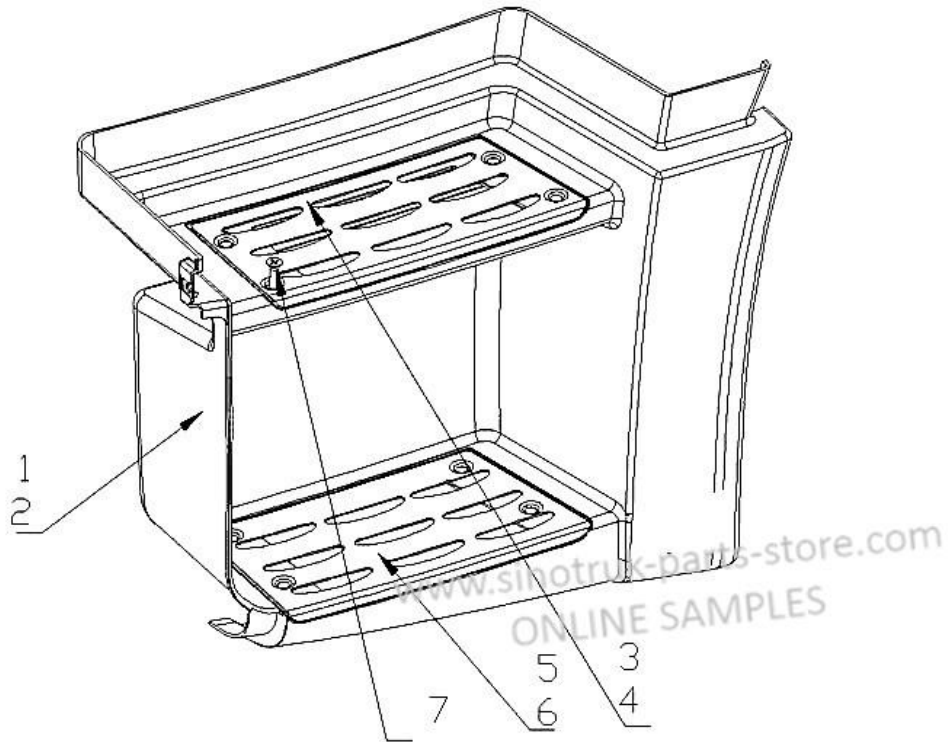


DOOR LOCK			
SINOTRUK A7 CAB			
Serial	Number	Name	Quantity
1	WG1664340001	door stop	2
2	Q1840820	six point socket screw	8
3	WG1664340004	door handle left	1
4	WG1664340005	door handle right	1
5	WG1664340006	spring clip left	1
6	WG1664340007	spring clip right	1
7	WG1664340408	electric actuator	1
8	WG1664340008	latch left	1
9	WG1664340009	latch right	1
10	WG1664340409	electric actuator	1
11	WG1664340010	dragline	2
12	WG1664340011	rod II left	1
13	WG1664340013	rod II right	1
14	WG1664340018	lock pin	2
15	WG1664340019	Key	1

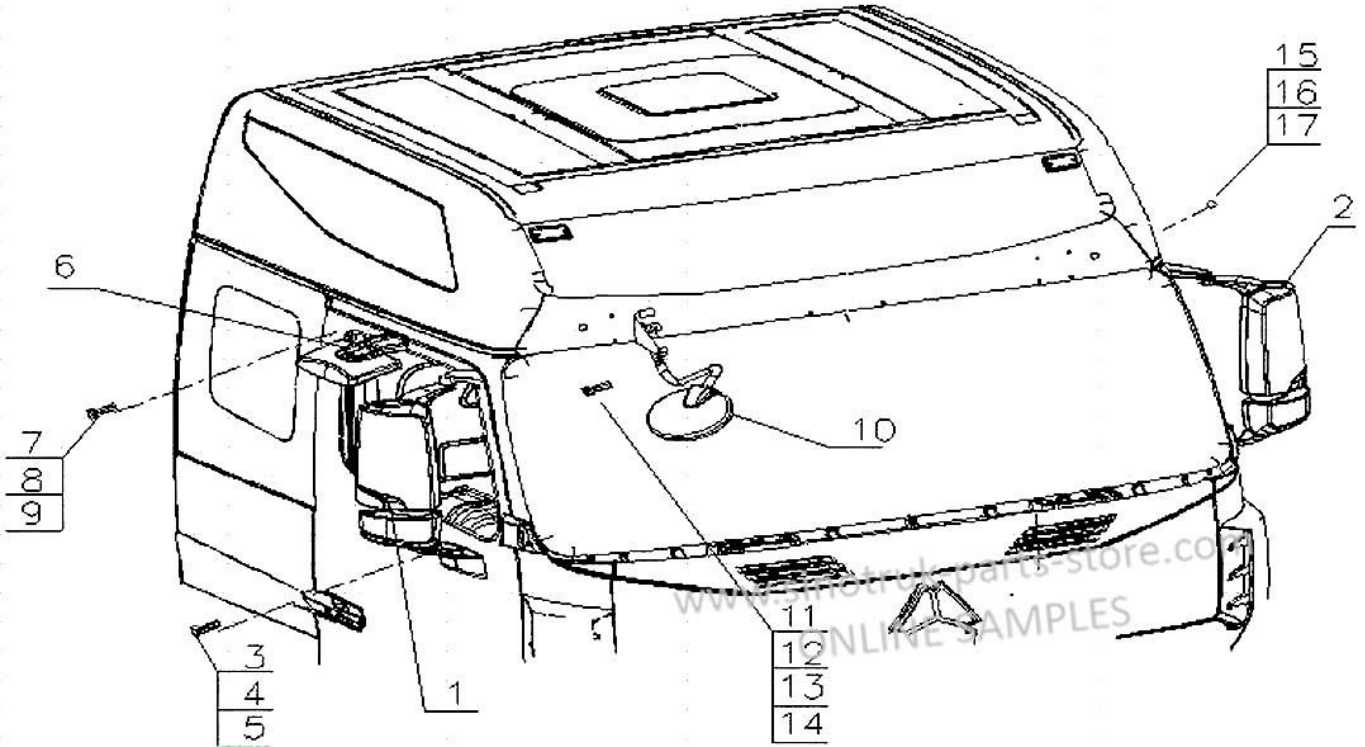
16	WG1664340020	lock screw	2
17	WG1664340021	plastic garnish left	1
18	WG1664340022	plastic garnish right	1
19	WG9925580103	ignition switch	1
20	WG9925550003	tank cap	1
21	WG1664340023	control knob left	1
22	WG1664340024	control knob right	1
23	WG1664340025	plug left	1
24	WG1664340026	plug right	1
25	AZ9925580008	ignition switch assemble show	1
26	Q2140620	Screw	6
27	Q40206	Washer	6
28	Q1840830	six point socket screw	2
29	Q40108	Washer	2
30	Q1840520	six point socket screw	6
31	Q2580820	Screw	4
32	AZ9925470096	Screw	2
33	Q2140406	Screw	2



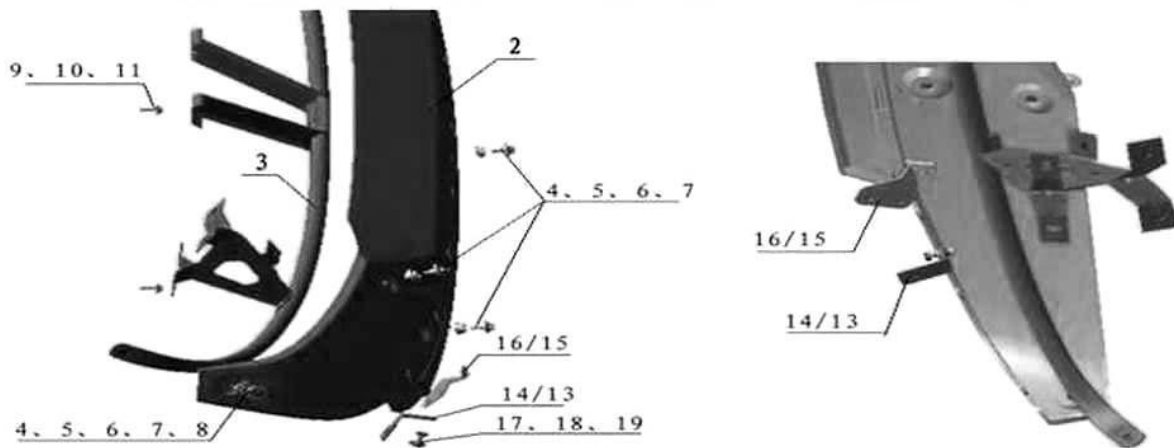
MUDGUARD			
SINOTRUK A7 CAB			
Serial	Number	Name	Quantity
1	AZ1664230059	mudguard support left	1
2	AZ1664230058	mudguard support right	1
3	Q150B0820	hexagon bolt	6
4	Q40108	washer	6
5	WG1664230049	mudguard left	1
6	WG1664230050	mudguard right	1
7	Q150B0820	hexagon bolt	16
8	Q40108	washer	16



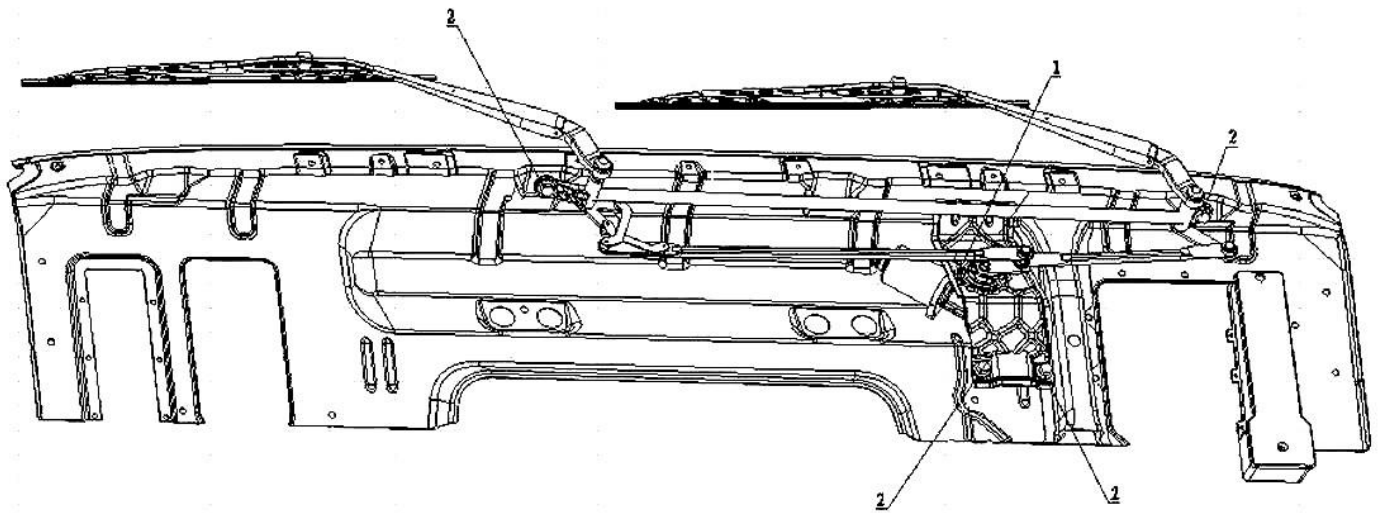
STEP GUARD			
SINOTRUK A7 CAB			
Serial	Number	Name	Quantity
1	WG1664230043	Lower foot step left	1
2	WG1664230044	Lower foot step right	1
3	WG1664230093	Lower plate 1 left	1
4	WG1664230094	Lower plate 1 right	1
5	WG1664230095	Lower plate 2 left	1
6	WG1664230096	Lower plate 2 right	1
7	Q2540820	Screw	16



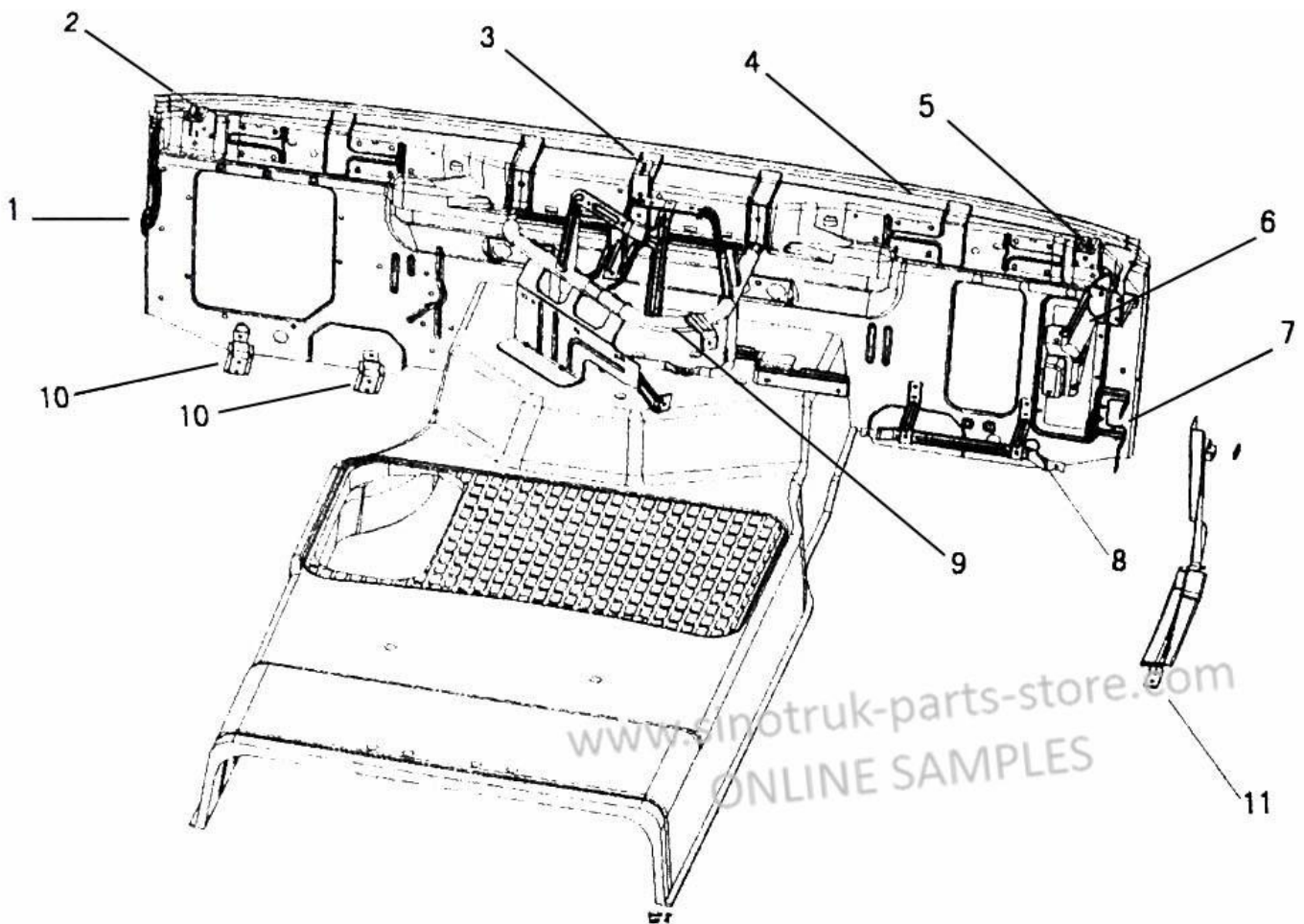
REAR VIEW MIRROR			
SINOTRUK A7 CAB			
Serial	Number	Name	Quantity
1	WG1664771010	Left rear-view mirror	1
2	WG1664771020	Right rear-view mirror	1
3	Q218B0825	inner hex column head screw	6
4	Q40308	Washer	6
5	Q40108	Washer	6
6	WG1664771040	Screwclose-proximity exterior rear-view mirror	1
7	Q2580820	Scrow	2
8	Q40308	Washer	2
9	Q40108	Washer	2
10	WG1664771030	Front rear-view mirror	1
11	Q340B08	Nut	2
12	Q40208	Washer	2
13	Q150B0825	Screw	2
14	Q40308	Screw	2
15	AZ1664771050	Rubber block	2
16	AZ1664771051	Cover	2
17	Q2150812	Scrow	2



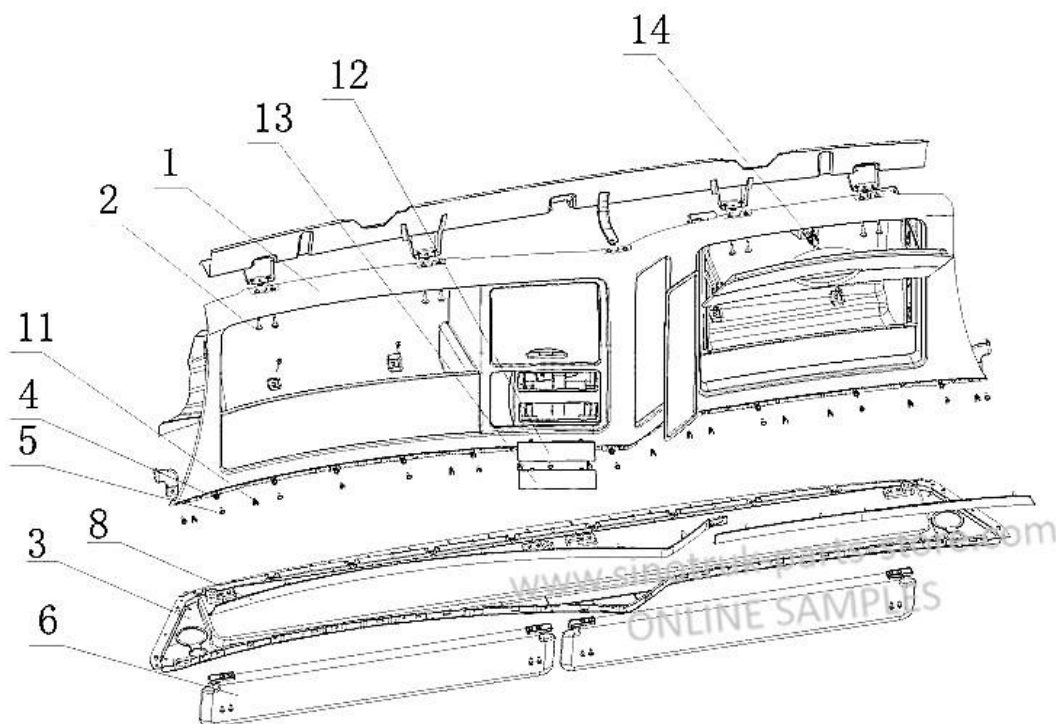
SUN VISOR			
SINOTRUK A7 CAB			
Serial	Number	Name	Quantity
2	WG1664870002	sun visor outside	1
3	WG1664870003	holder for sun visor	1
4	AZ1608870008	distance bushing	7
5	AZ1642870043	buffer	7
6	Q2140625	screw M6X25	7
7	Q40206	washer 6	7
8	Q340B06	hexagon nut M6	4
9	AZ1672870121	buffer	10
10	Q150B0820	hexagon screw M8X20	10
11	Q40208	washer 8	10
12	190007992576	airproof pastern	1
13	WG1664870081	left holder I of lamp cuff	1
14	WG1664870082	right holder I of lamp cuff	1
15	WG1664870083	left holder II of lamp cuff	1
16	WG1664870084	right holder II of lamp cuff	1
17	Q150B0512	hexagon screw M5X12	2
18	Q40205	washer 5	2
19	Q340B05	hexagon nut M5	2



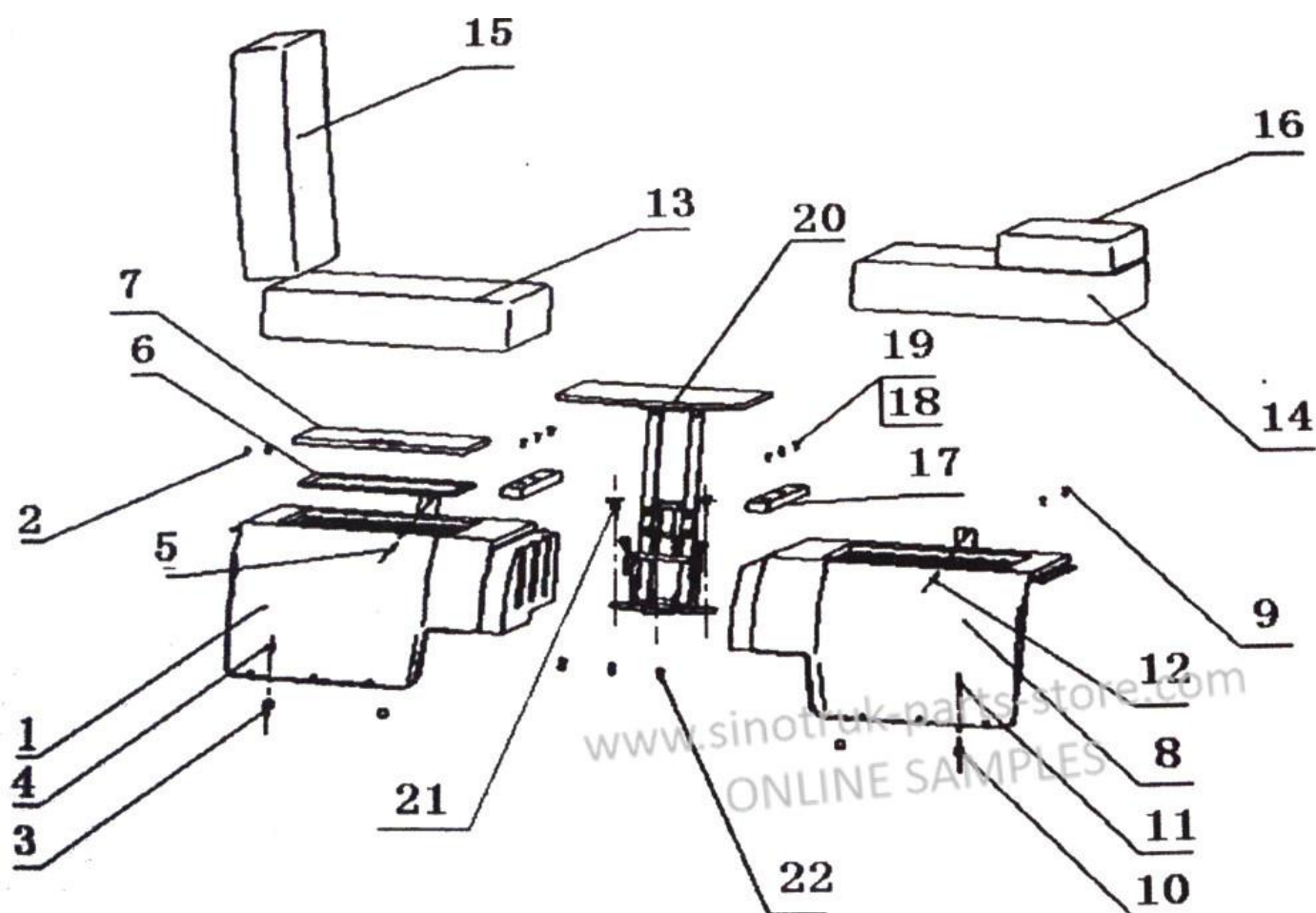
WIPER			
SINOTRUK A7 CAB			
Serial	Number	Name	Quantity
1	WG1661740020	wiper set	1
2	Q1460825	hex head bolt/spring gasket/flat gasket set	4



INSTRUMENT BOARD			
SINOTRUK A7 CAB			
Serial	Number	Name	Quantity
1	AZ1664160050	left support of board	1
2	AZ1664160065	left front support of board	1
3	AZ1664160060	middle positioning support of board	1
4	WG1664160001	front sealing strip	1
5	AZ1664160070	right front support	1
6	AZ1664160055	right support	1
7	AZ1664160092	right lower support	1
8	AZ1664160083	lower side backplate lower support on deputy driver side	1
9	AZ1664160010	middle bracket	1
10	AZ1664160082	lower side backplate lower support on driver side	2
11	AZ1664160330	lower right backplate on A pole	1



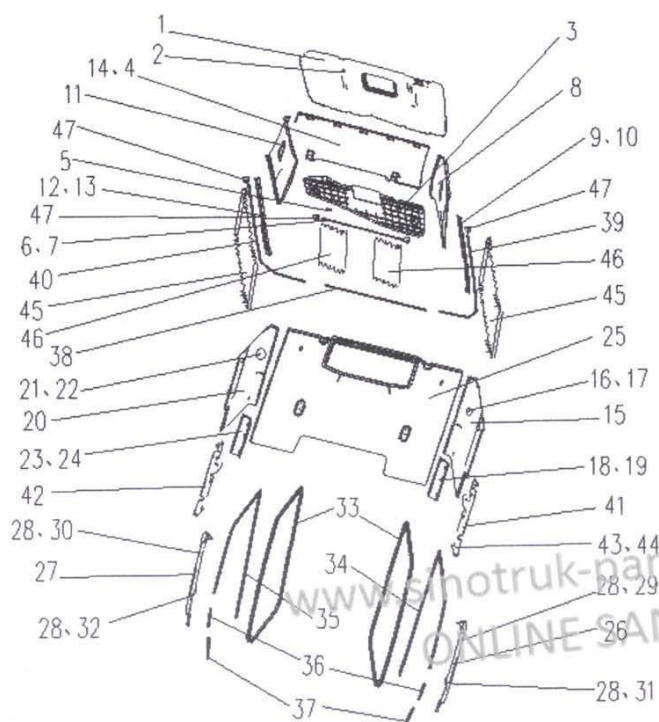
GROCERY BOX			
SINOTRUK A7 CAB			
Serial	Number	Name	Quantity
1	WG1664770101	high roof cab upper console	1
2	Q2360620	Combination screw	18
3	WG1664770001	lower panel	1
4	WG1642930009	clip nut	10
5	Q2714825	self taping screw	18
6	WG1664770002	sun visor	2
7	WG1642930009	clip nut	8
8	WG1664770003	left decorate slip	1
9	WG1642160137/1	plastic clip	7
10	WG1664770004	right decorate slip	1
11	WG1642160137/1	plastic clip	5
12	WG1664770115	cd cover 1	1
13	WG1664770116	cd cover 11	1
14	WG1664770118	switch base	1



LOWR BERTH FOR MID-LONG CAB			
SINOTRUK A7 CAB			
Serial	Number	Name	Quantity
1	WG1662570005	Right toolbox	1
2	Q1460620	Combination screw	2
3	AZ1662570052	Sleeve	2
4	Q32006	Nut	2
5	Q1460840	Combination screw	1
6	WG1662570025	Seal	1
7	AZ1662570008	Board	1
8	WG1662570006	Left toolbox	1
9	Q1460620	Combination screw	2
10	AZ1662570052	Sleeve	2
11	Q32006	Nut	2

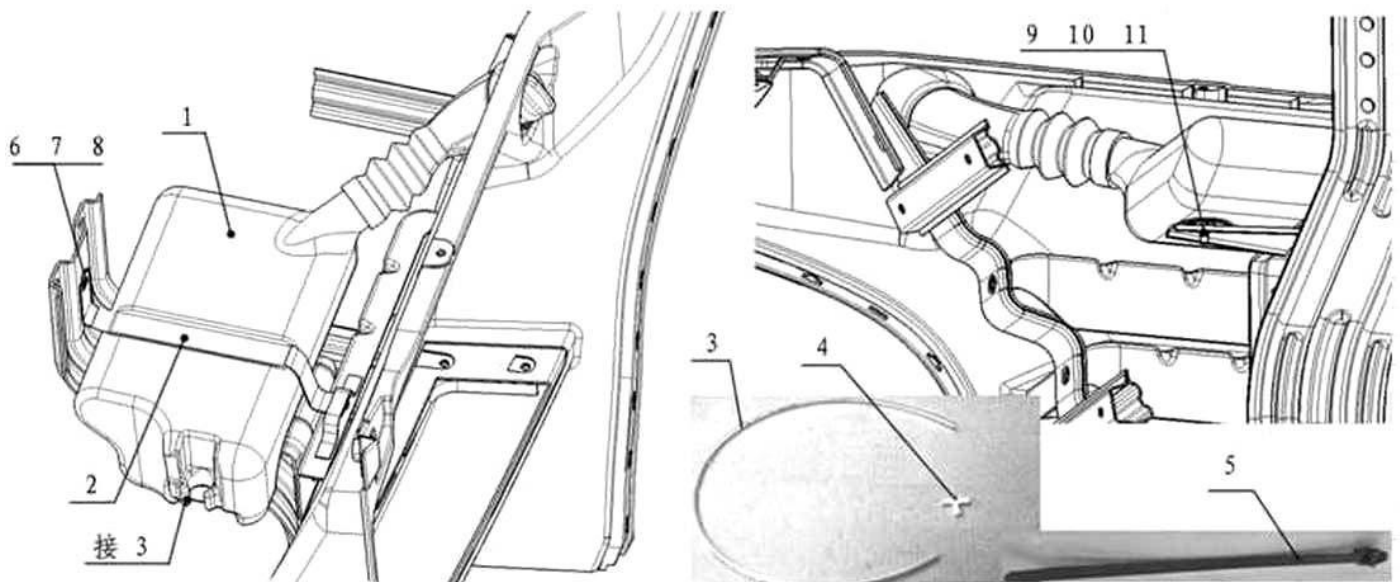
12	Q1460840	Combination screw	1
13	AZ1662570009	Right soft mat	1
14	AZ1662570017	Left soft mat	1
15	AZ1662570014	Middle soft mat	1
16	AZ1662570015	Pillow	1
17	AZ1662570072	Underprop	2
18	Q2716322	Screw	6
19	Q40108	Washer	6
20	AZ1662570101	Table	1
21	Q1460840	Combination screw	3
22	WG1664930002	Combination screw	3

INTERNAL LINING ON ROOF

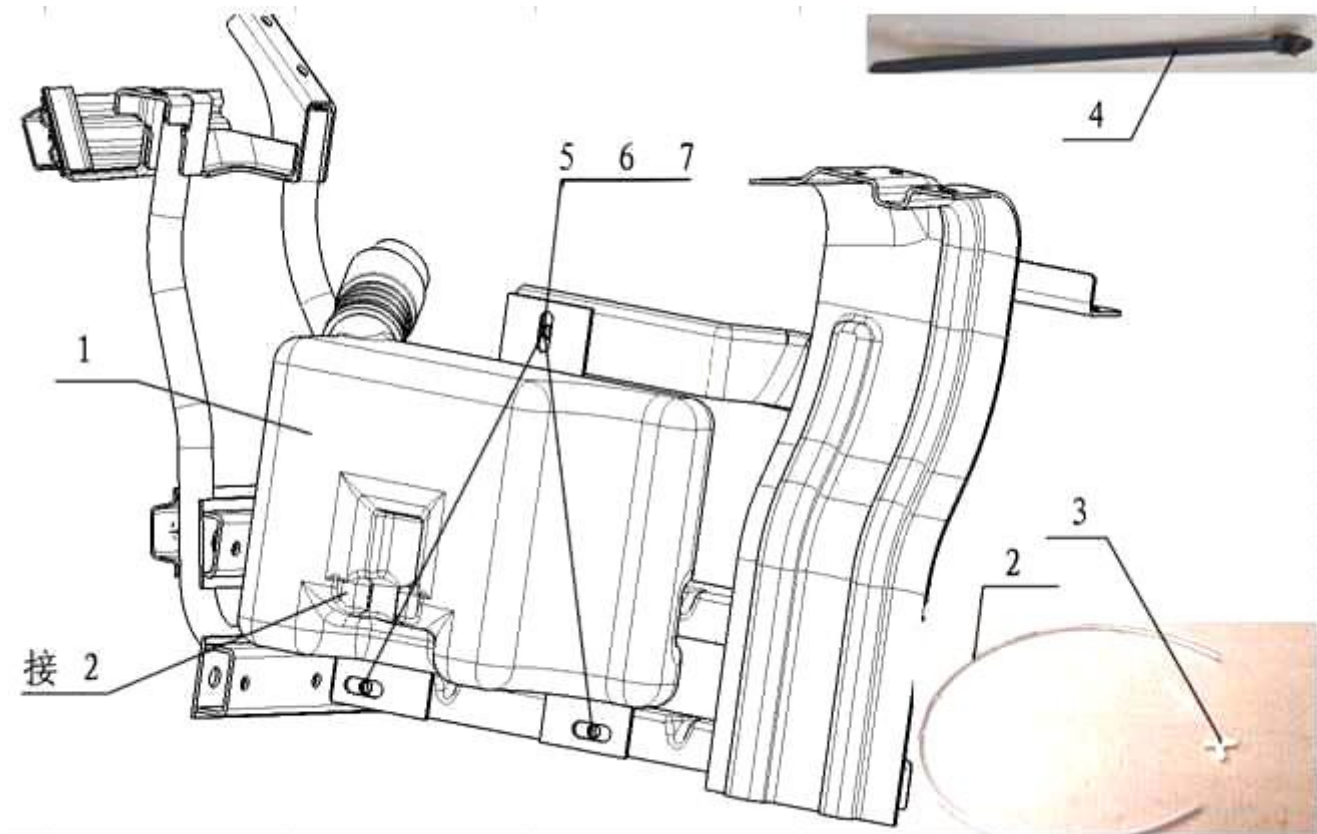


LINING FOR HIGH FLOOR HIGH ROOF CAB			
<i>SINOTRUK A7 CAB</i>			
Serial	Number	Name	Quantity
1	WG1664610001	Roof lining	1
2	AZ1664930002	Plastic rivet	4
3	WG1664610051	Coping	1
4	Q2300620	screw set	3
5	WG1664610052	Cover	3
6	WG1664610055	Guide for window cloth	1
7	Q2713516	Screw	4
8	WG1664610021	Left panelling	1
9	WG1664610023	Ornament, left	1
10	Q2300520	Screw	4
11	WG1664610031	Right panelling	1
12	WG1664610033	Ornament	1
13	Q2300520	Screw	4
14	WG1664610041	Rear panelling	1
15	WG1662610021	Left panelling	1
16	AZ1662610069	Drawstring	1

17	AZ1664930002	Plastic rivet	2
18	WG1662610025	Ornament	1
19	AZ1664930002	Plastic rivet	3
20	WG1662610031	Right panelling	1
21	AZ1662610069	Drawstring	1
22	AZ1664930002	Plastic rivet	2
23	WG1662610035	Ornament, right	1
24	AZ1664930002	Plastic rivet	3
25	WG1662610041	Rear panelling	1
26	WG1662610051	Panelling for A pole left	1
27	WG1662610052	Panelling for A pole right	1
28	Q2300620	Combination screw	4
29	WG1662610053	Cover	1
30	WG1662610054	Cover	1
31	WG1662610062	Cover	1
32	WG1662610063	Cover	1
33	WG1662610055	Seal strip for door	2
34	WG1662610056	Seal strip for door	1
35	WG1662610057	Seal strip for door	1
36	WG1662610067	Seal strip for door	2
37	WG1662610068	Seal strip for door	2
38	WG1662610059	Front guide for window cloth	1
39	WG1662610065	Left guide for window cloth	1
40	WG1662610066	Right guide for window cloth	1
41	WG1662610060	Left safety belt frame	1
42	WG1662610061	Right safety belt frame	1
43	AZ1664930001	Bracket	6
44	Q2214213A	Combination screw	6
45	AZ1662610067	Blind	2
46	AZ1662610068	Blind	2
47	WG1642610034	Fender	4



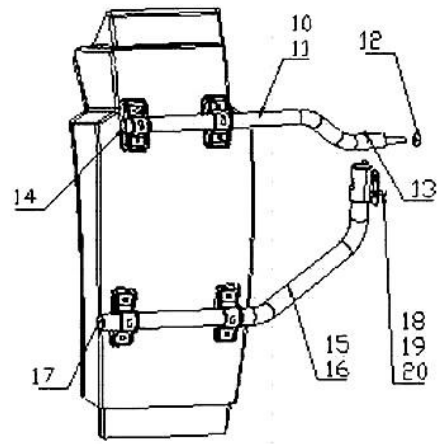
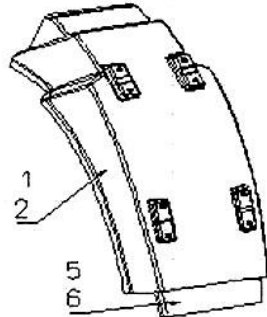
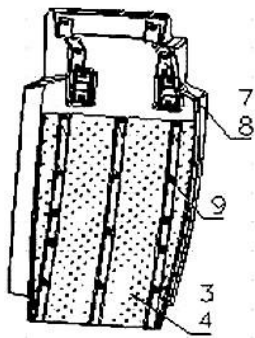
WINDSHIELD WASHER FOR HIGH FLOOR			
SINOTRUK A7 CAB			
Serial	Number	Name	Quantity
1	WG1664860010	Highfloor cab windshield washer	1
2	WG1664860011	Windshield washer bracket	1
3	WG1664860050	Tube	1
4	116000770121	V tie-in	1
5	190003171697	Strain-belt	5
6	Q150B0815	Screw	1
7	Q40308	Spring washer	1
8	Q40108	Washer	1
9	Q340B08	Nut	1
10	Q40308	Spring washer	1
11	Q40108	Washer	1



WINDSHIELD WASHER FOR LOW FLOOR

SINOTRUK A7 CAB

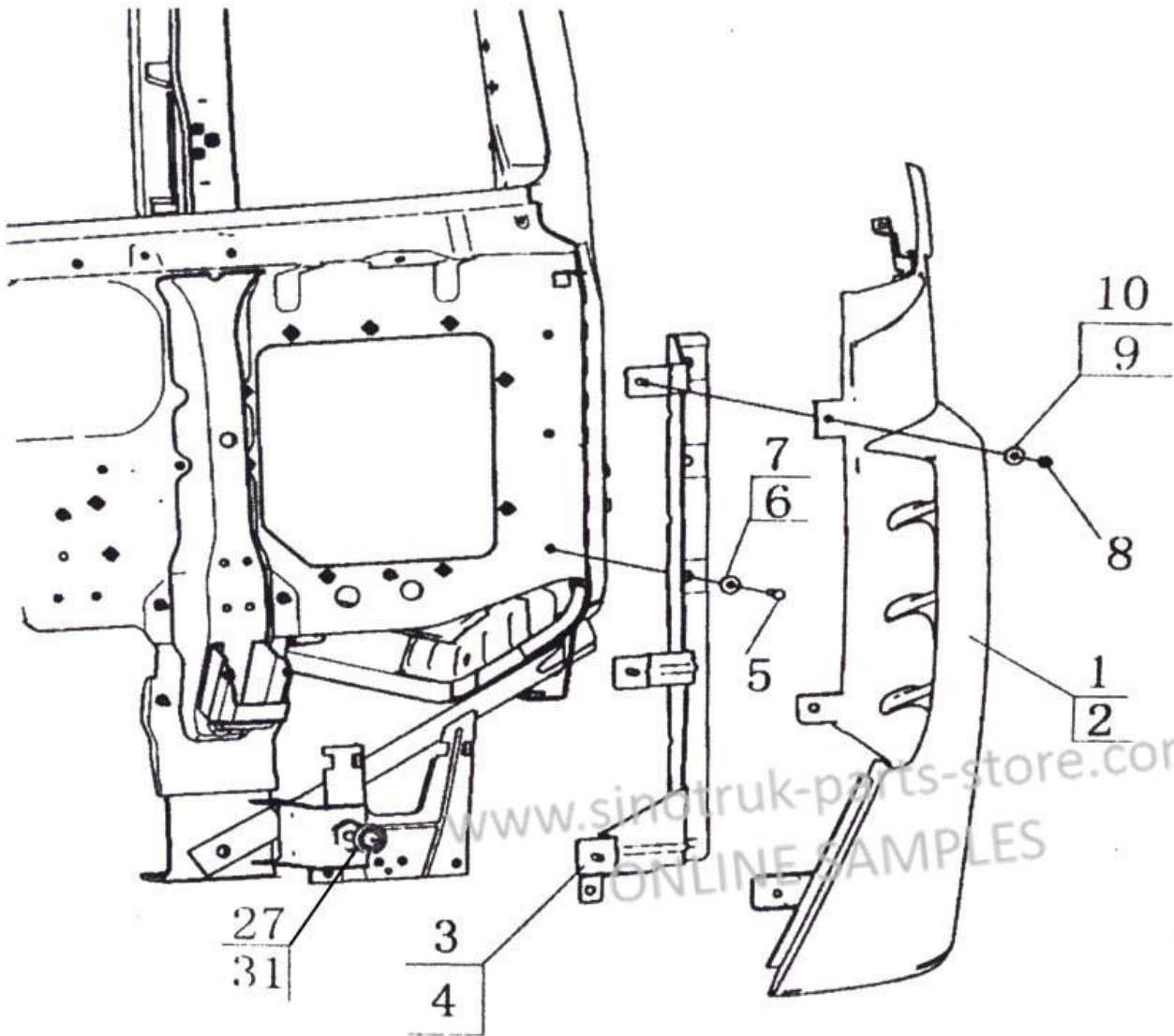
Serial	Number	Name	Quantity
1	WG1664861010	low floor cab windshield washer	1
2	WG1664860051	Tube	1
3	116000770121	V tie-in	1
4	190003171697	Strain-belt	5
5	Q150B0815	hex head bolt	3
6	Q40308	Spring washer	3
7	Q40108	Washer	3



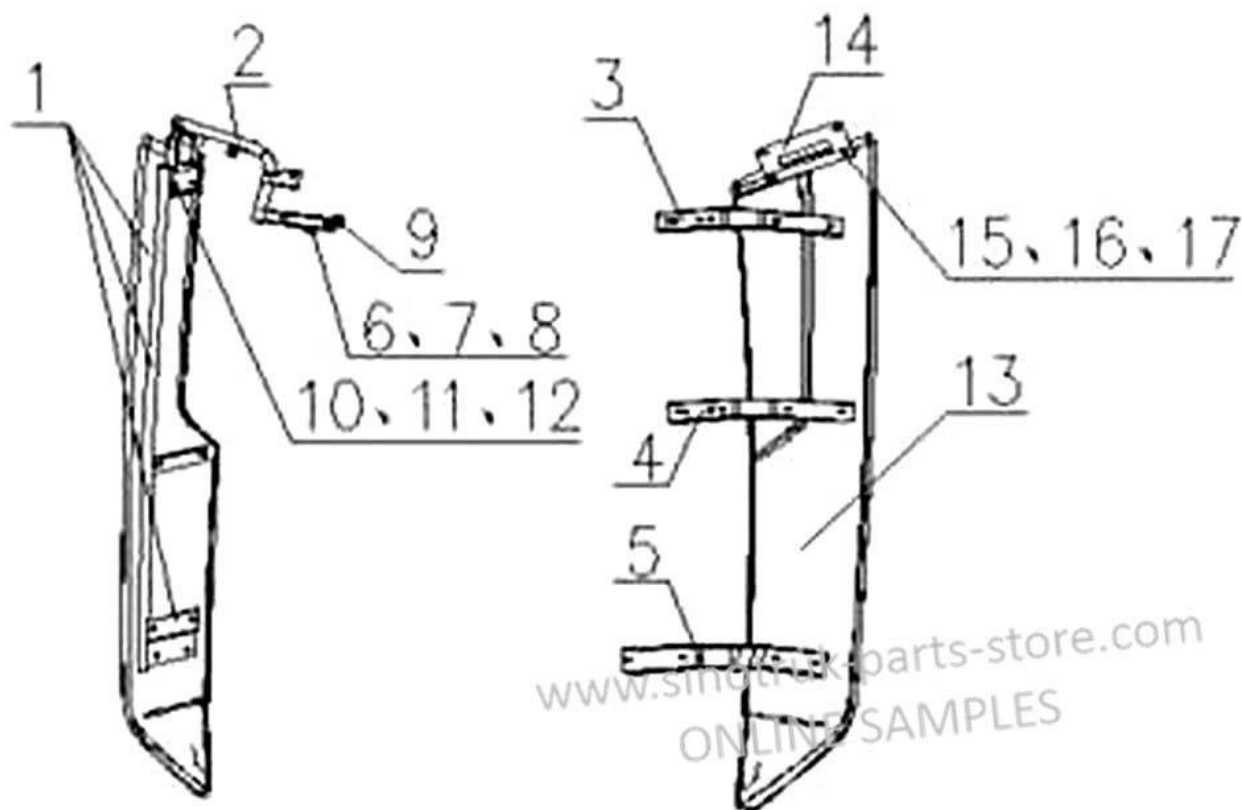
REAR FENDER FOR MID/LONG CAB

SINOTRUK A7 CAB

Serial	Number	Name	Quantity
1	AZ1664230085	rear left fender	1
2	AZ1664230086	rear right fender	1
3	AZ1664230087	lining of rear left fender 1	1
4	AZ1664230287	lining of rear right fender 1	1
5	AZ1664230088	lining of rear left fender 2	1
6	AZ1664230288	lining of rear right fender 2	1
7	AZ1664230189	rear left fender support	2
8	AZ1664230290	rear right fender support	2
9	Q2204816	screw and flat gasket set	32
10	AZ1664230180	left upper support of rear fender	1
11	AZ1664230190	right upper support of rear fender	1
12	Q33016	hex flange self locking nut	2
13	Q5280665	elastic column pin	2
14	AZ1664230185	upper plug	2
15	AZ1664230200	left lower support of rear fender	1
16	AZ1664230210	right lower support of rear fender	1
17	AZ1664230205	lower plug	2
18	Q150B1250	hex head bolt	8
19	Q40112	flat gasket	16
20	Q33212	hex nut	8



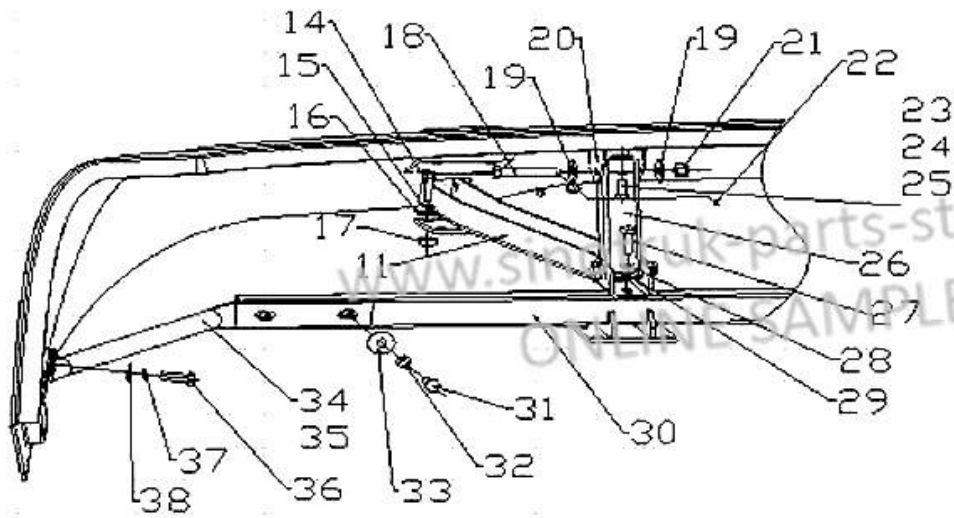
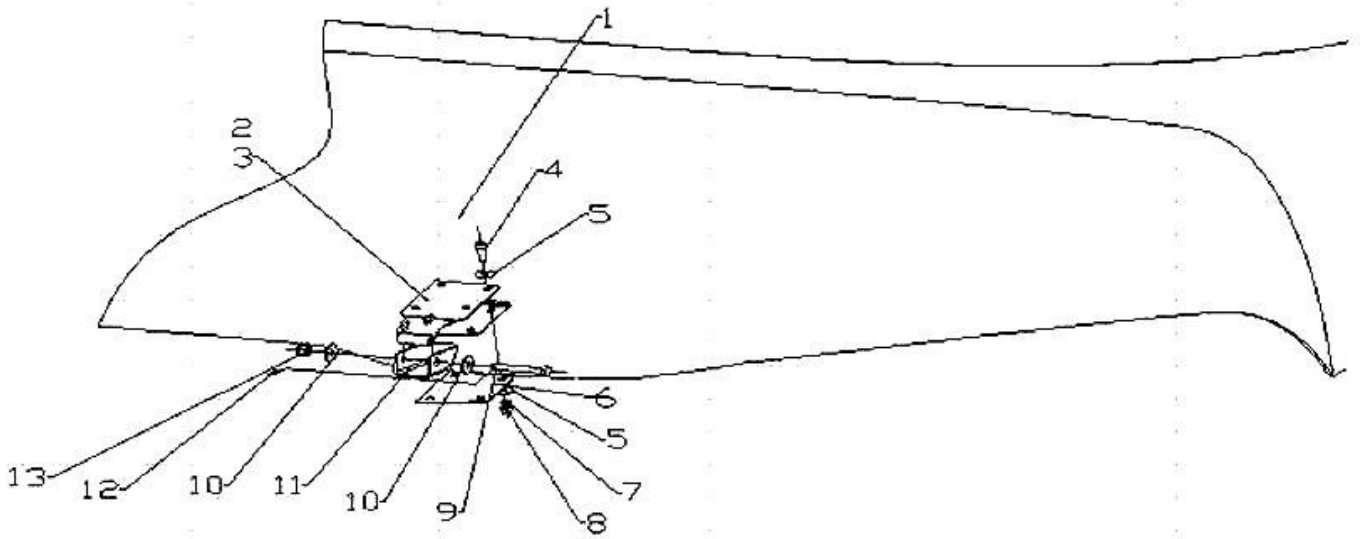
WIND SCOOPER			
SINOTRUK A7 CAB			
Serial	Number	Name	Quantity
1	WG1664110051	high floor left wind scooper	1
2	WG1664110052	high floor right wind scooper	1
3	AZ1664110057	left wind scooper connecting plate	1
4	AZ1664110058	right wind scooper connecting plate	1
5	Q150B0820	hex head bolt	8
6/7/9/10	Q40308	spring gasket	8
8	Q340B08	hex nut	6
27	WG1664110027	left lock of face mask	1
31	WG1664110028	right lock of face mask	1



SIDE & REAR AIR GUIDING DEVICE FOR FLAT ROOF HIGH FLOOR CAB

SINOTRUK A7 CAB

Serial	Number	Name	Quantity
1	WG1662870103	left-rear-side guiding plate with frame	1
2	WG1662870120	left-rear-side guiding plate support	1
3	WG1664870103	upper support	1
4	WG1664870104	middle support	1
5	WG1664870106	lower support	1
06,15	Q150B0820	hex head bolt	10
9	AZ1672870121	rubber gasket	10
10	Q150b0520	hex head bolt	1
11	Q40205	big gasket	1
12	Q40305	spring gasket	1
13	WG1662870102	right-rear guiding plate	1
14	WG1662870130	right-up connecting plate	1
16、07	Q40208	big gasket	16
17、08	Q40308	spring gasket	16

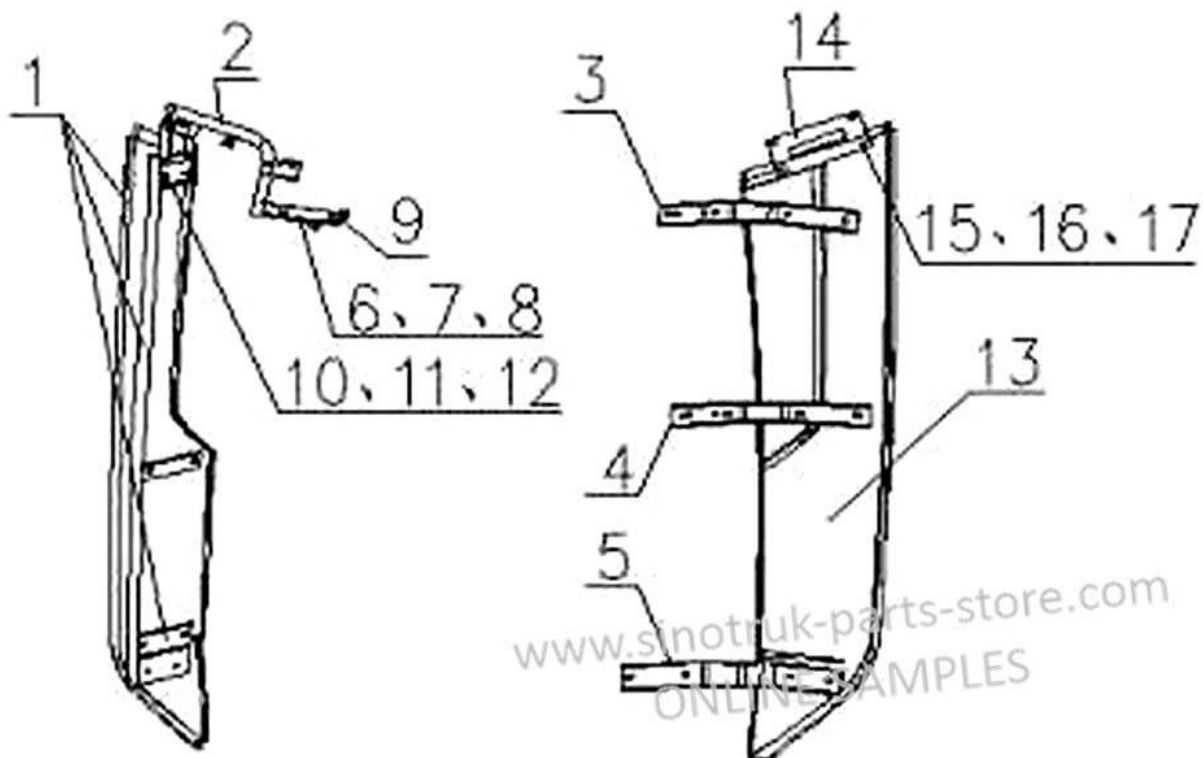


AIR GUIDING SLEEVE FOR FLAT ROOF CAB

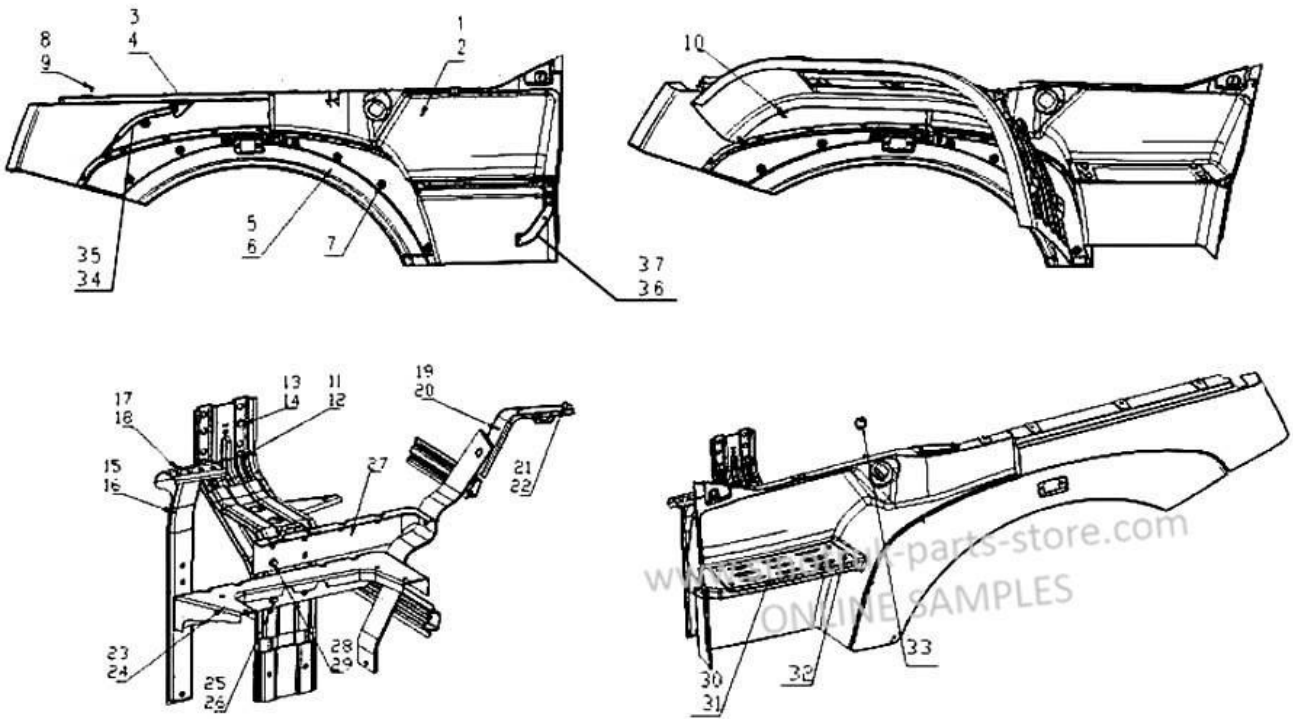
SINOTRUK A7 CAB

Serial	Number	Name	Quantity
1	WG1662870022	air guiding sleeve	1
2	WG1662870052	left-front connecting plate of guiding sleeve	1
3	WG1662870053	right-front connecting plate of guiding sleeve	1
4	WG1662870054	gasket	2
5	WG1662870023	front support seat for guiding sleeve	2
06、19、 38、25	Q40208	big gasket	16
7	Q218B0825	inner hex column head screw	8

9	Q340B08	hex nut	8
10、27	Q173B1065	hex head bolt	2
11、22、 35、28	Q40210	big gasket	4
12、30	Q5002532	pin	2
13、29	Q381B10	hex nut	2
14	WG1662870042	rear connecting support for guiding sleeve	2
15	WG1662870026	rear support for guiding sleeve	1
17	Q150B0830	hex head bolt	16
19	Q40208	big gasket	16
20、33	Q150B1030	hex head bolt	2
21、34	Q40310	spring gasket	2
23,36	Q150B0820	hex head bolt	4
26	WG1662870044	connecting square tube	2
31	WG1662870034	left elbow pipe support	1
32	WG1662870035	right elbow pipe support	1
37、08、 18、24	Q40308	spring gasket	2



SIDE & REAR AIR GUIDING DEVICE FOR FLAT ROOF LOW FLOOR CAB			
SINOTRUK A7 CAB			
Serial	Number	Name	Quantity
1	WG1662875103	rear-left guiding plate with frame	1
2	WG1662870120	rear-left guiding plate support	1
3	WG1664870103	upper support	1
4	WG1664870104	middle support	1
5	WG1664870106	lower support	2
9	AZ1672870121	rubber gasket	10
10	Q150B0520	hex head bolt	1
11	Q40205	big gasket	1
12	Q40305	spring gasket	1
13	WG1662875102	right-rear guiding plate	1
14	WG1662870130	right-up connecting plate	1
15、06	Q150B0820	hex head bolt	16
16、07	Q40208	big gasket	64
17、08	Q40308	spring gasket	16



LOWER FENDER FOR HIGH FLOOR MID-LONG CAB

SINOTRUK A7 CAB

Serial	Number	Name	Quantity
1	AZ1664230007	lower,front fender left for high floor	1
2	AZ1664230006	lower,front fender right for high floor	1
3	AZ1664230009	long,rear fender left for high floor	1
4	AZ1664230008	long,rear fender right for high floor	1
5	AZ1664230011	left fender panel	1
6	AZ1664230012	right fender panel	1
7	AZ1664230057	nut	16
8	Q150B0820	hexagon bolt	14
9	Q40108	washer	14
10	Q2204816	screw and flat gasket set	4
11	AZ1664233025	middle-bracket left for high-floor	1
12	AZ1664233155	middle-bracket right for high-floor	1
13	Q150B1030	hexagon bolt	10
14	Q40110	washer	10
15	AZ1664233030	front-bracket left for high-floor	1

16	AZ1664233032	front-breaket right for high-floor	1
17	Q150B0820	hexagon bolt	6
18	Q40108	washer	6
19	AZ1664233035	rear-breaket left for high-floor	1
20	AZ1664233036	rear-breaket right for high-floor	1
21	Q150B0820	hexagon bolt	4
22	Q40108	washer	4
23	AZ1664230061	lower support left	
24	AZ1664230062	lower support right	
25	Q150B0820	hexagon bolt	14
26	Q40108	washer	14
27	AZ1664230140	syringe breaket left	1
28	Q150B0820	hexagon bolt	5
29	Q40108	washer	5
30	WG1664230081	Lower plate left for high-floor	1
31	WG1664230082	Lower plate right for high-floor	1
32	Q2540820	screw	8
33	WG1664230051	Cover	2
34	AZ1664230133	left breaket	1
35	AZ1664230134	right breaket	1
36	AZ1664233225	left breaket	1
37	AZ1664233226	right breaket	1