

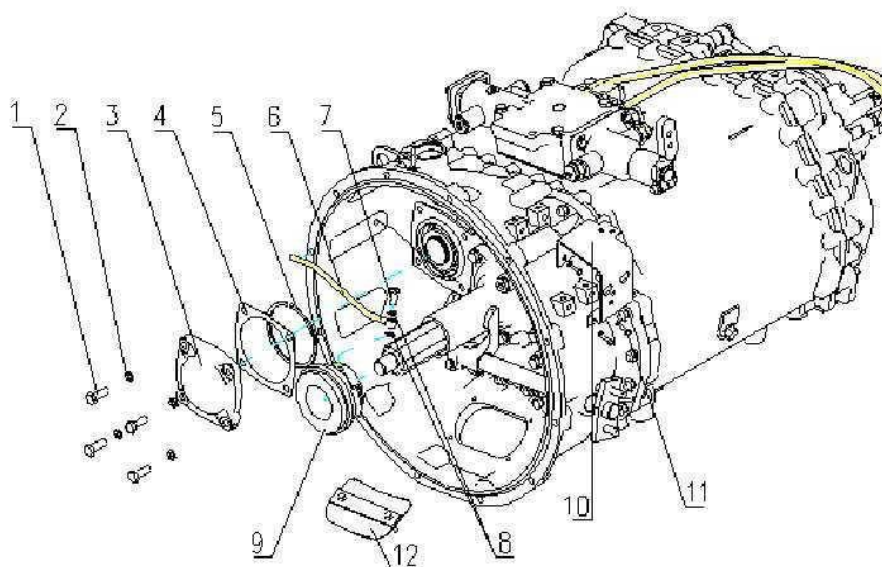


SINOTRUK HOWO
HW19710 TRANSMISSION
SPARE PARTS CATALOG

INDEX

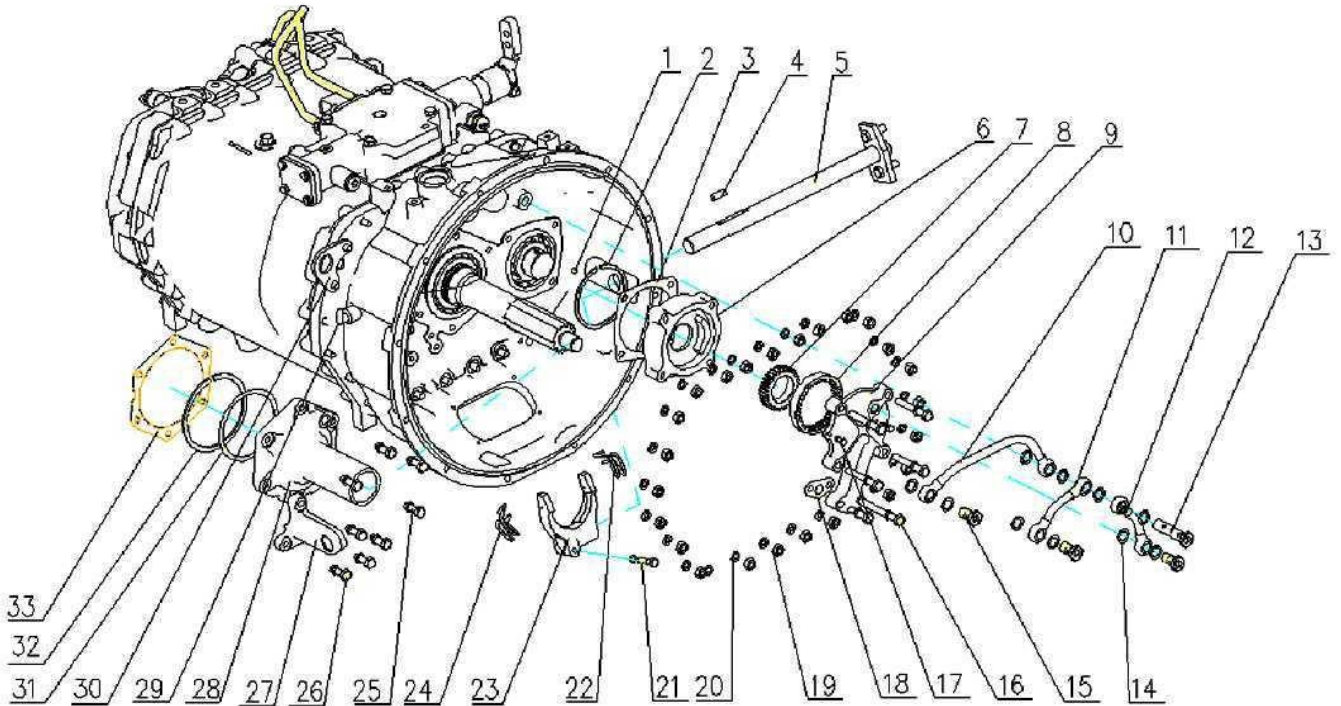
TRANSMISSION ASSY ONE	Page 3
TRANSMISSION ASSY TWO	Page 4
TRANSMISSION ASSY THREE	Page 6
TRANSMISSION ASSY FOUR	Page 8
TRANSMISSION ASSY FIVE	Page 9
TRANSMISSION ASSY SIX	Page 11
TRANSMISSION ASSY SEVEN	Page 12
MAIN SHAFT	Page 13
FIRST AND SECOND GEAR SHIFTER SHAFT	Page 15
INPUT SHAFT AND FIRST SHAFT GEAR	Page 16
INPUT SHAFT CAP AND OIL RING	Page 17
THIRD AND FORTH GEAR SHIFTER SHAFT	Page 18
COUNTER SHAFT LEFT	Page 19
COUNTER SHAFT RIGHT	Page 20
DEPUTY RANGE GEAR BOX	Page 21
REVERSE GEAR SHIFTING SHAFT	Page 24

变速器总成 (一)



TRANSMISSION ASSY ONE, HW19710			
<i>powered by CHINA HEAVY TRUCK PARTS CO LTD, www.sinotrukhowo.cn</i>			
Serial	Number	Name	Quantity
1	Q150B1030	hexagon head bolt	4
02、 11	Q40310	elastic gasket	4
3	WG2222000001	vice shaft cap	1
4	WG2229000002	gasket for vice shaft cap	1
5	AZ9003990100	retaining ring	1
6	199000210053	low pressure soft tube	1
7	190003962607	hollow bolt	1
8	Q72310	sealing gasket	2
9	WG2209260005	separating bearing	1
10	WG2229270005	flexible shaft support	1
11	Q150B1020	hexagon head bolt	4
11	Q40310	elastic gasket	4
12	WG2203260011	cap for front housing	1

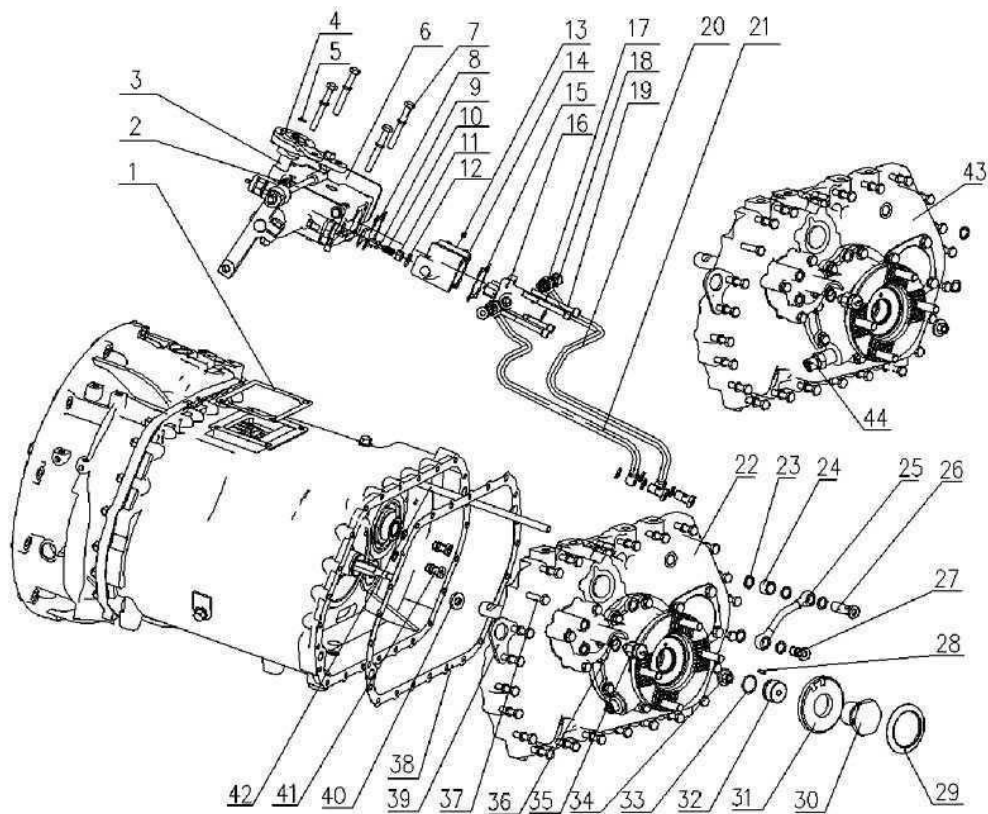
变速器总成 (二)



TRANSMISSION ASSY TWO, HW19710			
<i>powered by CHINA HEAVY TRUCK PARTS CO LTD, www.sinotrukhowo.cn</i>			
Serial	Number	Name	Quantity
1	AZ9003338000	steel ball	1
2	AZ9003990100	retaining ring	1
3	WG2229000002	cap pad for deputy gear box	1
4	Q5510825	flat key	1
5	WG2203260003	shifting shaft assy	1
6	AZ2222240001	oil pump body	1
7	AZ2210240001	driving gear of oil pump	1
8	AZ2210240002	annular gear of oil pump	1
9	AZ2222240002	cap for oil pump	1
10	AZ2203240003	oil inlet pipe	1
11	AZ2203240002	oil inlet pipe for input shaft	1
12	AZ2203240001	oil outlet pipe	1
13	AZ9003961670	hollow bolt	1
14	Q72316	sealing gasket	10
15	190003962627	hollow bolt	3
16	Q150B1090	hexagon head bolt	1
16	Q150B1040	hexagon head bolt	1

16	Q150B1070	hexagon head bolt	4
16	Q40110	flat gasket	2
16、20、 25、26	Q40310	spring gasket	4
17	Q150B0618	hexagon head bolt	1
17	Q40306	spring gasket	1
18	WG2229240003	paper pad for oil inlet pipe	1
19	Q341B10	hexagon nut	25
20	Q40310	spring gasket	25
21	Q150B0835	hexagon head bolt	1
21	Q40308	spring gasket	1
22	AZ2214260010	levo-rotating clip	1
23	WG2214260010	clutch separating shifting fork	1
24	AZ2214260015	dextro-rotating clip	1
25	WG9003801030	bolt set	5
25	Q40310	spring gasket	5
26	Q150B1050	hexagon head bolt	1
26	Q150B1030	hexagon head bolt	2
26	Q40310	spring gasket	3
27	AZ2203260101	shifting shaft support assy	1
28	AZ2203020106	input shaft cap and oil-guiding ring	1
28	AZ2203020108	input shaft cap and oil-guiding ring	1
29	190003963127	grease nipple	1
30	WG2229000003	hoisting plate	1
31	AZ2208020002	input shaft bearing adjusting pad set	need
32	AZ9003990120	retaining ring	1
33	WG2229020008	paper pad for input shaft cap	1

变速器总成 (三)



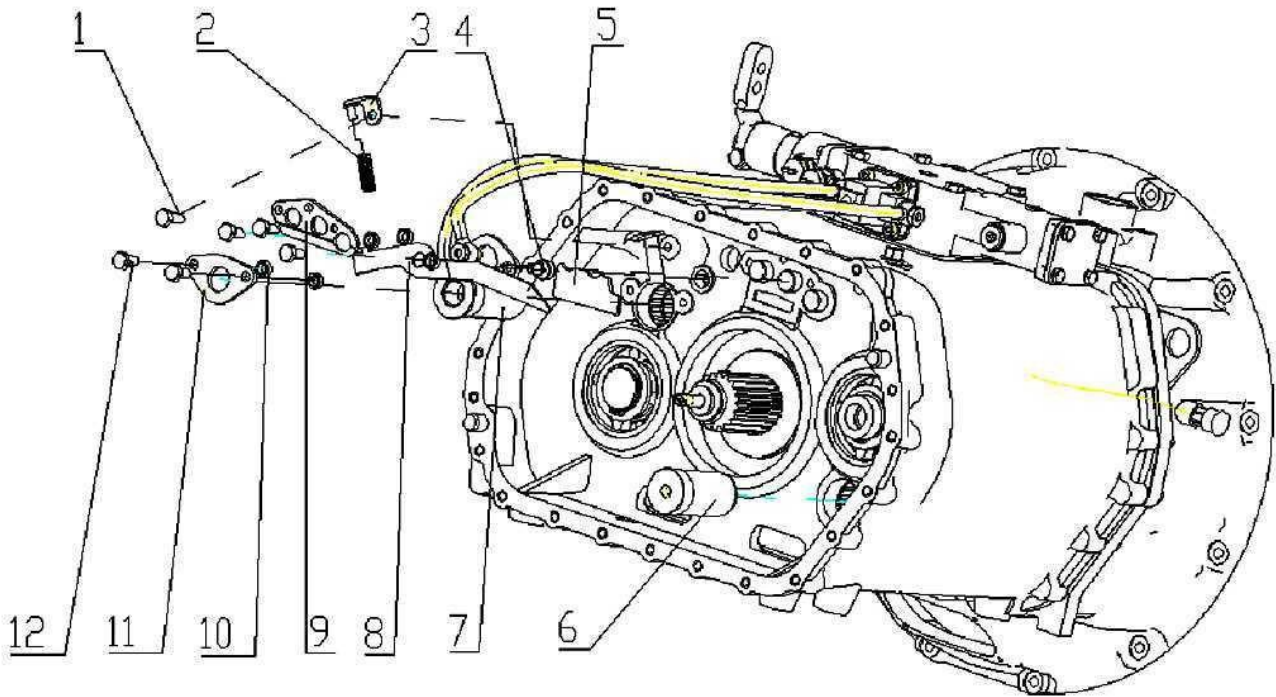
TRANSMISSION ASSY THREE, HW19710

powered by CHINA HEAVY TRUCK PARTS CO LTD, www.sinotrukhowo.cn

Serial	Number	Name	Quantity
1	WG2229210025	paper pad	1
2	WG2229210041	supporting rod	1
3	WG2229270003	selector supporting shaft	1
4	WG2229210040	selector rod assy	1
5	Q43112	elastic retaining ring for shaft	1
6	AZ2203210040	10 gear cover (double rod)	1
7	Q150B1085	hexagon head bolt	4
07、37	Q40310	spring gasket	4
8	AZ2229250023	paper pad for air control valve	1
9	AZ2229250015	retaining ring	1
10	AZ2229250004	spring	1
11	AZ2229250017	bushing	1
12	AZ9003071700	O-ring	1
13	WG2229250006	through joint	1
14	AZ2203250010	air control retaining valve	1
15	AZ2229250024	gasket for double-H valve	1
16	AZ2203250003	double-H valve	1

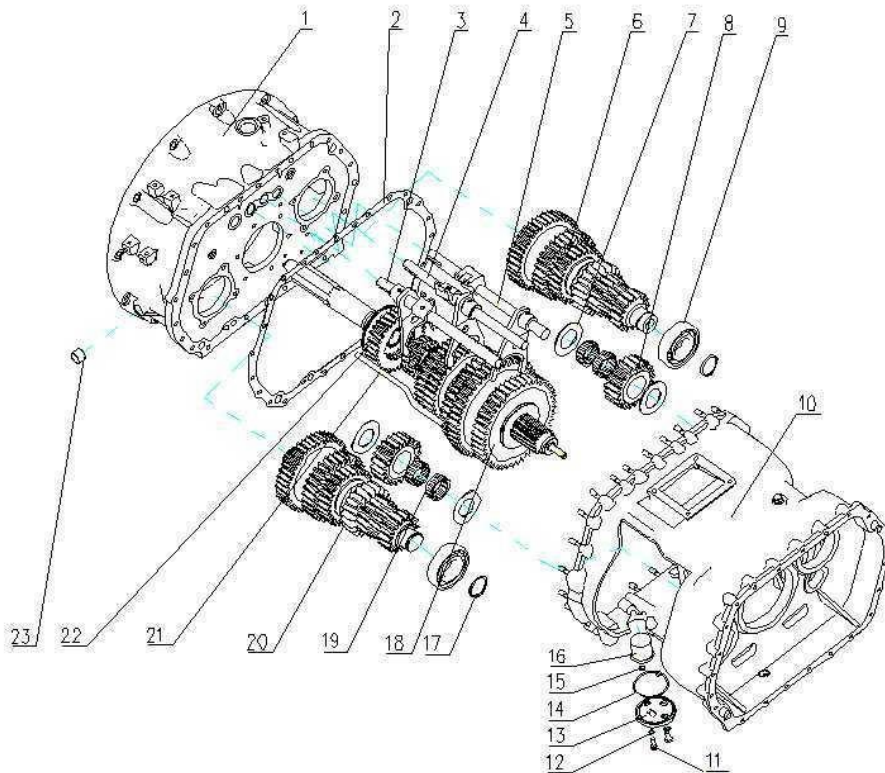
17、41	Q72314	sealing gasket	8
18、41	190003962621	hollow bolt	4
19	Q218B0880	inner hexagon column head screw	4
19	Q40308	spring gasket	4
20	WG2203250019	range tube assy (high gear)	1
21	WG2203250018	range tube assy (low gear)	1
22	AZ2203100040	range deputy gear box	1
23	Q72316	sealing gasket	5
24	WG2229240010	bushing	1
25	AZ2203240004	oil inlet pipe for deputy gear box	1
26	AZ9003961650	hollow bolt	1
27	190003962627	hollow bolt	1
28	Q5280514	elastic column pin	1
29	WG2229100074	locking pad	1
30	WG2229100073	bolt	1
31	WG2229100072	pressing plate	1
32	WG2229100071	blocker	1
33	AZ9003073150	O-ring	1
34	WG2229100011	fixing nut	1
35	WG9100710069	pressure switch	1
36	WG2229280001	sealing gasket	1
37	Q150B1060	hexagon head bolt	6
37	Q150B1050	hexagon head bolt	16
37	AZ9003801058	hexagon head bolt	2
37	Q40310	spring gasket	24
38	WG2229100062	paper pad for deputy gear box	1
39	WG2229100061	hoisting plate	1
40	AZ2208040002	adjusting pad set for main shaft	1
41	190003962621	hollow bolt	2
41	Q72314	sealing gasket	4
42	AZ2229240108	tube-2 inside gear box	1
43	AZ2203100042	deputy gear box assy	1
44	WG2209280010	milometer sensor	1

变速器总成 (四)



TRANSMISSION ASSY FOUR, HW19710			
<i>powered by CHINA HEAVY TRUCK PARTS CO LTD, www.sinotrukhowo.cn</i>			
Serial	Number	Name	Quantity
1	Q150B1020	hexagon head bolt	1
2	WG2229210019	range lock spring	1
3	WG2203100012	spring positioning pin	1
4	WG2229100056	lock plate pin	1
5	WG2229100175	base plate	1
6	WG2212050102	idling shaft (right)	1
7	WG2212050101	idling shaft (left)	1
8	WG2229100173	lock plate for main and vice box	1
9	WG2229100174	big pressing plate	1
10	WG2229100054	block for pressing plate	5
11	WG2229100052	small pressing plate	1
12	Q150B1025	hexagon head bolt	5

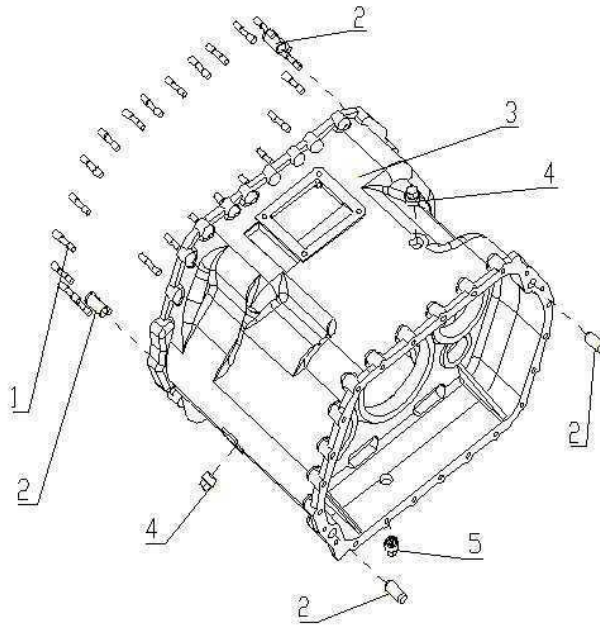
变速器总成 (五)



TRANSMISSION ASSY FIVE, HW19710			
<i>powered by CHINA HEAVY TRUCK PARTS CO LTD, www.sinotrukhowo.cn</i>			
Serial	Number	Name	Quantity
1	AZ2220000101	front housing of transmission	1
2	WG2229000001	gasket of front housing	1
3	AZ2203220103	shifting shaft for third and forth gear	1
4	AZ2203220010	shifting shaft for first and second gear	1
5	AZ2203220101	shifting shaft for reverse gear	1
6	AZ2203030206	counter shaft assy (right)	1
7	WG2229050001	gasket	4
8	WG2210050001	idler	2
9	AZ9003320309	column roller bearing	2
10	AZ2203010101	middle housing of transmission	1
11	Q150B0822	hexagon head bolt	2
12	Q40308	spring gasket	2
13	WG2222240005	cap for strainer	1
14	AZ9003077100	O-ring	1
15	AZ9003070085	O-ring	2
16	AZ2203240007	strainer	1
17	Q43145	elastic retaining ring for shaft	2

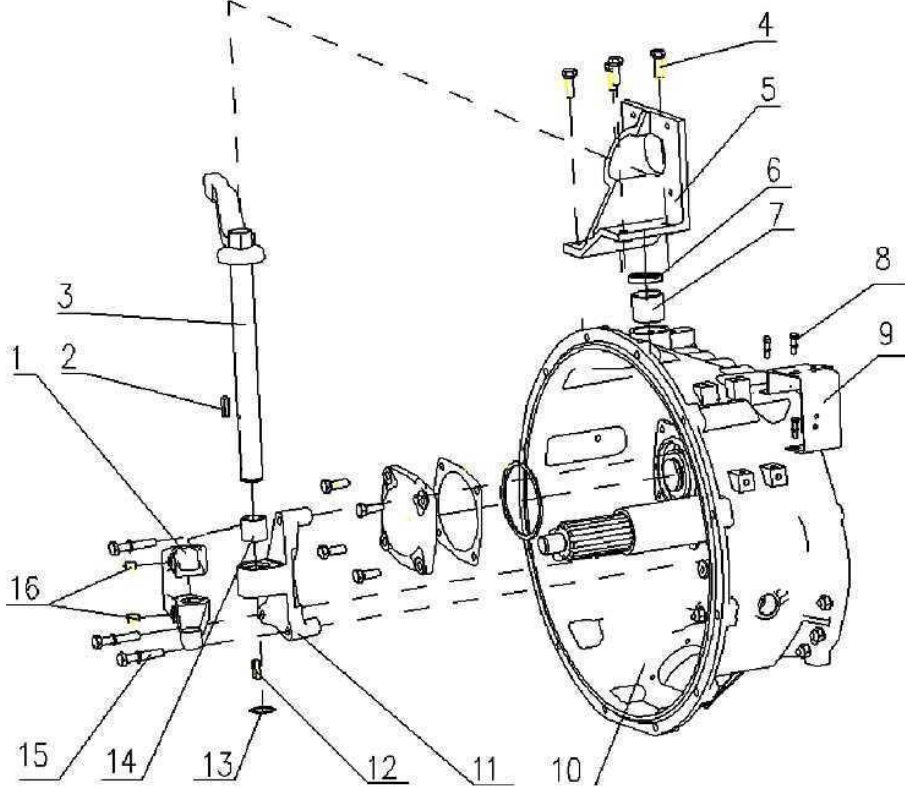
18	AZ2203040205	main shaft assy	1
19	AZ9003395320	kingpin bearing	4
20	AZ2203030205	counter shaft assy (left)	1
21	WG2229240107	tube-1 inside gear box	1
22	AZ2203020205	input shaft and first shaft gear	1
22	AZ2203020206	input shaft and first shaft gear	1
23	WG2229002520	compound bushing	1

变速器总成 (六)



TRANSMISSION ASSY SIX, HW19710			
<i>powered by CHINA HEAVY TRUCK PARTS CO LTD, www.sinotrukhowo.cn</i>			
Serial	Number	Name	Quantity
1	Q1231035	column head bolt	23
1	Q1231040	column head bolt	2
2	AZ2229010001	positioning pin	4
3	AZ2220010102	middle shell of transmission	1
4	WG2229010002	screw plug	2
5	WG2203010002	drain plug	1

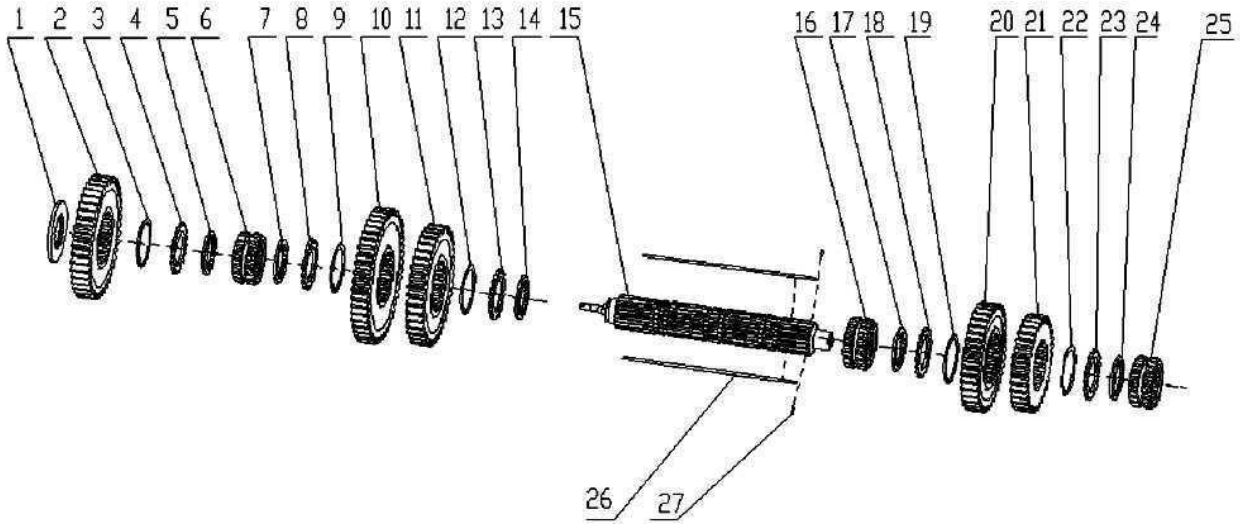
变速器总成 (七)



TRANSMISSION ASSY SEVEN, HW19710

Serial	Number	Name	Quantity
1	AZ2214260001	clutch separating fork	1
02、12	Q5510825	flat key	1
3	AZ2203260002	shifting shaft	1
4	Q150B1030	hexagon head bolt	4
04、08、15	Q40310	spring gasket	4
5	AZ2229260015	booster cylinder support	1
6	WG2229003030	compound bushing 30×34×30	1
7	AZ9003073001	framework seal	1
8	Q150B1020	hexagon head bolt	4
8	Q40310	spring gasket	4
9	WG2229270004	soft shaft support (pulling type)	1
10	AZ2220000001	front shell of transmission	1
11	AZ2229260001	shifting shaft support	1
12	Q5510825	flat key	1
13	Q43130	elastic retaining ring for shaft	1
14	WG2229003030	compound bushing 30×34×30	1
15	AZ9003801062	hexagon head bolt	3
15	Q40310	spring gasket	3
16	Q2881016F9	inner hexagon cone point screw	2

主轴总成



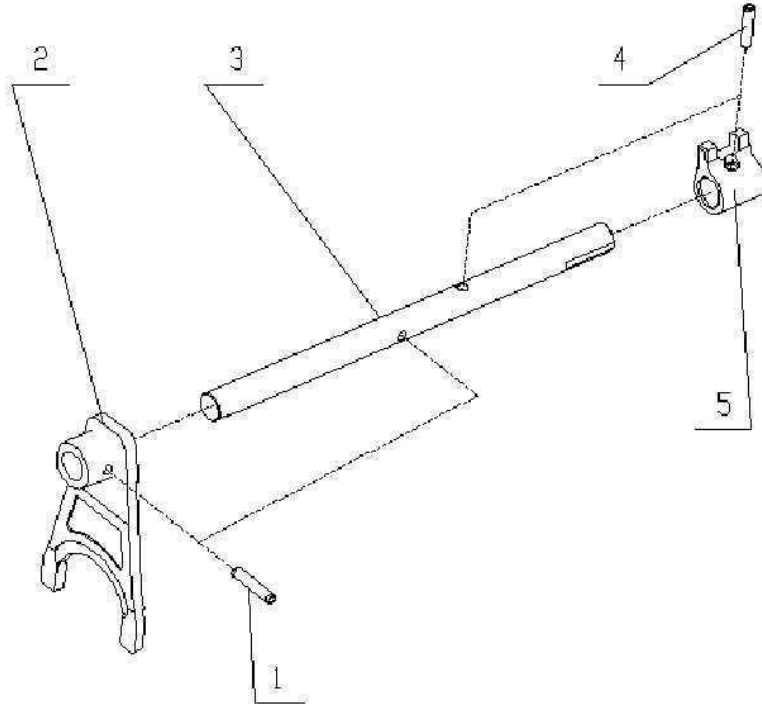
MAIN SHAFT, HW19710

powered by CHINA HEAVY TRUCK PARTS CO LTD, www.sinotrukhowo.cn

Serial	Number	Name	Quantity
-	AZ2203040405	main shaft assy	
1	WG2210040002	main shaft blade	1
2	AZ2210040207	main shaft reverse gear	1
03、09、12、19、22	WG2229040003	clip ring	1
04、08、13、18、23	WG2210040012	splined blade	1
05、07、17	WG2210040021~24	splined adjuster	1
06、16、25	WG2210040210	main shaft sliding sleeve	1
7	WG2210040021~24	splined blade	1
8	WG2210040012	splined blade	1
9	WG2229040003	clip ring	1
10	AZ2210040230	first gear for main shaft	1
11	AZ2210040206	second gear for main shaft	1
12	WG2229040003	clip ring	1
13	WG2210040012	splined blade	1
14、24	WG2210040023	splined adjuster	1
15	WG2203040009	main shaft with ball head	1
16	WG2210040210	sliding sleeve for main shaft	1

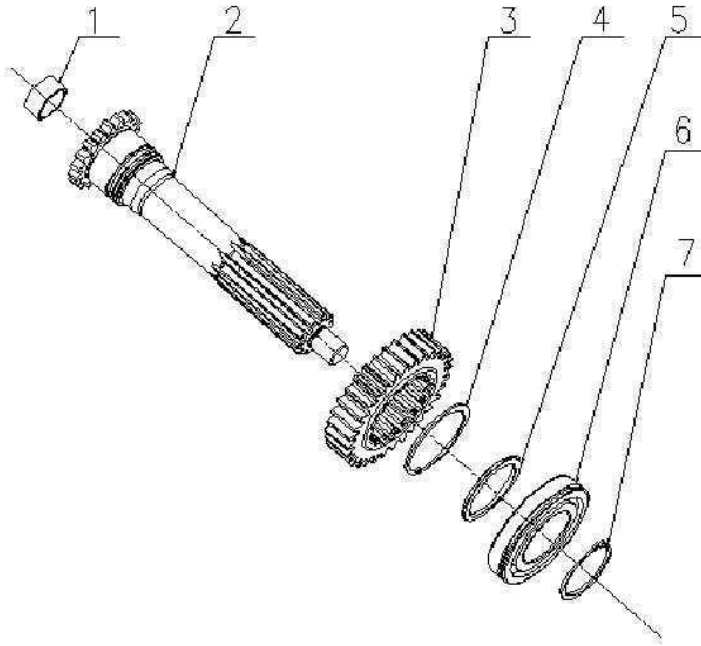
17	WG2210040021~24	splined adjuster	1
18	WG2210040012	splined blade	1
19	WG2229040003	clip ring	1
20	AZ2210040225	third gear for main shaft	1
21	AZ2210040224	fourth gear for main shaft	1
22	WG2229040003	clip ring	1
23	WG2210040012	splined blade	1
24	WG2210040023	splined adjuster	1
25	WG2210040210	sliding sleeve for main shaft	1
26	Q5280310	elastic column pin	2
27	WG2229040211	hex-key	2

一、二档拨叉轴总成



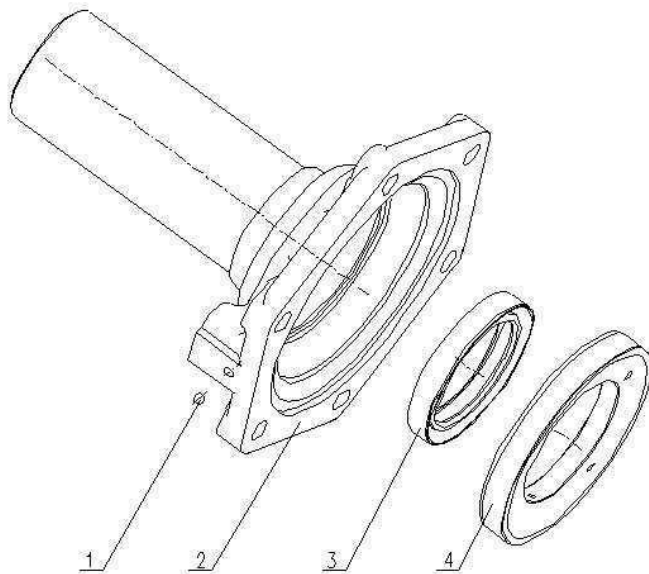
FIRST AND SECOND GEAR SHIFTER SHAFT, HW19710			
<i>powered by CHINA HEAVY TRUCK PARTS CO LTD, www.sinotrukhowo.cn</i>			
Serial	Number	Name	Quantity
-	AZ2203220010	first and second gear shifter shaft assy	
1	AZ2229220002	pin	1
2	WG2214220001	shifter	1
3	WG2212220102	first and second gear shifter shaft	1
4	AZ2229220001	pin	1
5	AZ2214220004	forward gear shifter set	1

输入轴及一轴齿轮总成



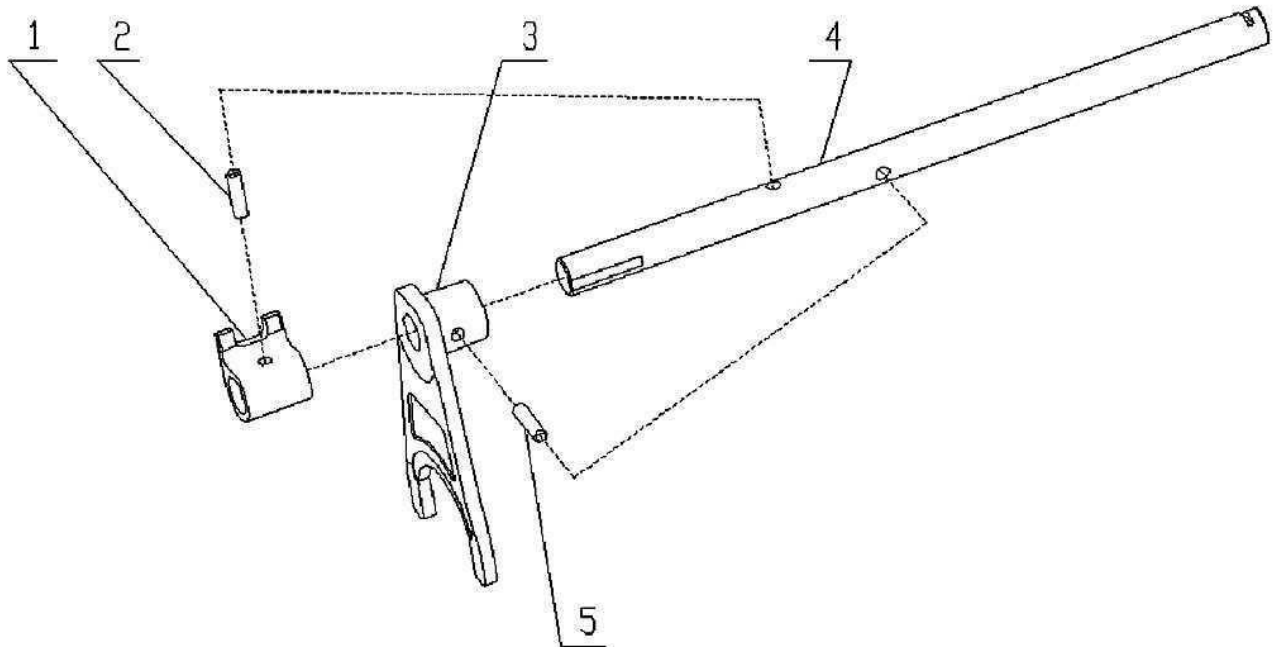
INPUT SHAFT AND FIRST SHAFT GEAR, HW19710			
<i>powered by CHINA HEAVY TRUCK PARTS CO LTD, www.sinotrukhowo.cn</i>			
Serial	Number	Name	Quantity
	AZ2203020014	input shaft and first shaft gear assy	
1	WG2229020005	bushing	1
2	WG2210020101	input shaft	1
2	AZ2210020105	input shaft	1
3	AZ2210020222	first shaft	1
4	WG2229040003	clip ring	1
5	WG2229040103	spacer bush	1
6	AZ9003326213	roling bearing	1
7	AZ2208020001	clip ring component	1

输入轴端盖及导油环



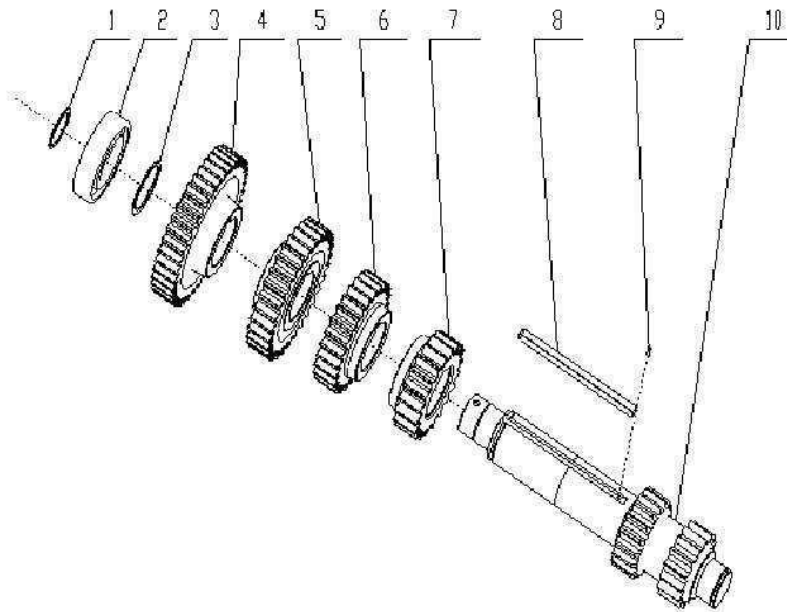
INPUT SHAFT CAP AND OIL RING, HW19710			
<i>powered by CHINA HEAVY TRUCK PARTS CO LTD, www.sinotrukhowo.cn</i>			
Serial	Number	Name	Quantity
-	AZ2203020106(AZ2203020108)	input shaft cap and oil ring assy	
1	AZ9003335500	steel ball	1
2	WG2222020101	input shaft cap (pushing type clutch)	1
2	WG2222020001	input shaft cap (pulling type clutch)	1
3	AZ9003070055	framework oil seal	1
4	AZ2229020007	oil ring	1

三、四档拨叉轴总成



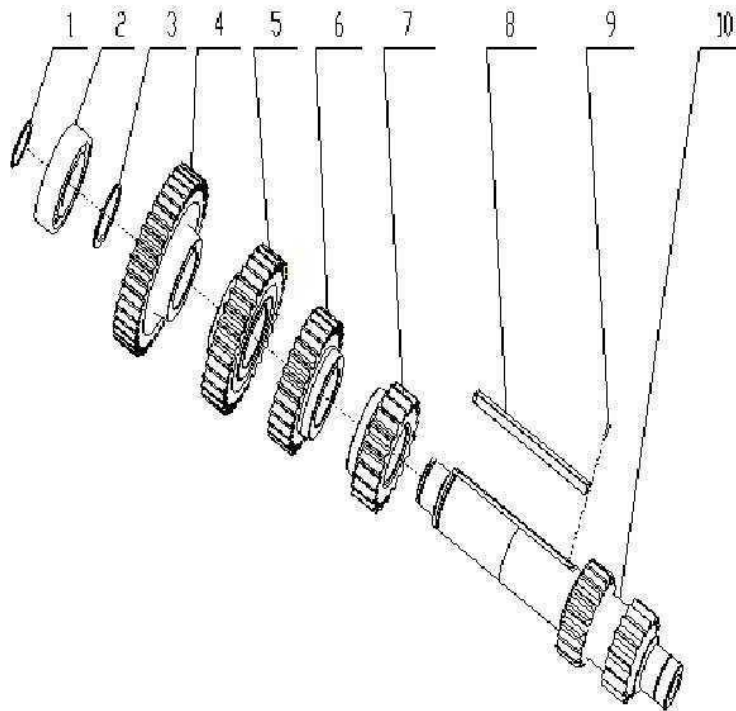
THIRD AND FORTH GEAR SHIFTER SHAFT, HW19710			
<i>powered by CHINA HEAVY TRUCK PARTS CO LTD, www.sinotrukhowo.cn</i>			
Serial	Number	Name	Quantity
-	AZ2203220103	third and forth gear shifter shaft assy	
1	WG2214220003	forward gear shifting set	1
2	AZ2229220001	pin	1
3	WG2214220001	shifting fork	1
4	WG2212220103	third and forth gear shifter shaft	1
5	AZ2229220002	pin	1

副轴总成 (左)



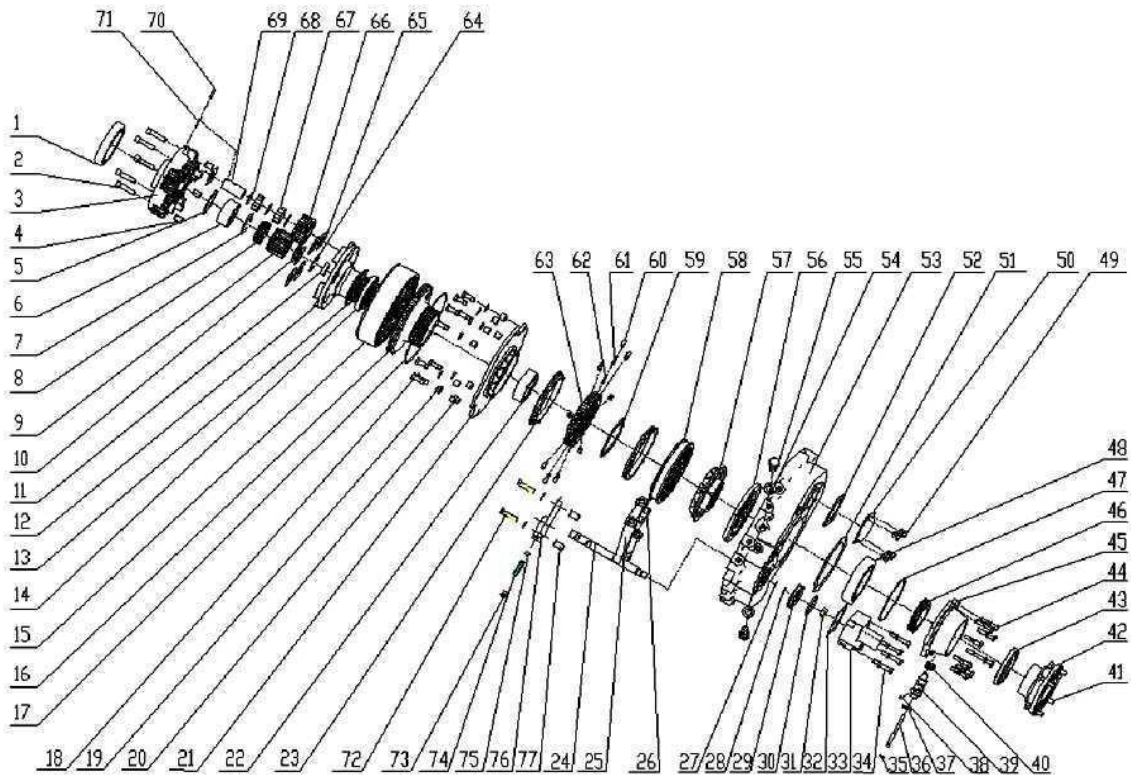
COUNTER SHAFT LEFT, HW19710			
<i>powered by CHINA HEAVY TRUCK PARTS CO LTD, www.sinotrukhowo.cn</i>			
Serial	Number	Name	Quantity
-	AZ2203030209	counter shaft assy(left)	
1	Q43145	elastic retainer ring for shaft	1
2	AZ9003329309	column rolling bearing with snap ring groove	1
3	Q43160	elastic retainer ring for shaft	1
4	AZ2210030227	driving gear of counter shaft	1
5	AZ2210030226	forth gear of counter shaft	1
6	AZ2210030224	third gear of counter shaft	1
7	AZ2210030203	second gear of counter shaft	1
8	WG2229030101	long flat key	1
9	Q5280514	elastic column pin	1
10	AZ2210030220	counter shaft (left)	1

副轴总成（右）



COUNTER SHAFT RIGHT, HW19710			
<i>powered by CHINA HEAVY TRUCK PARTS CO LTD, www.sinotrukhowo.cn</i>			
Serial	Number	Name	Quantity
-	AZ2203030210	counter shaft assy (right)	
1	Q43145	elastic retainer ring for shaft	1
2	AZ9003329309	column rolling bearing with snap ring groove	1
3	Q43160	elastic retainer ring for shaft	1
4	AZ2210030227	driving gear of counter shaft	1
5	AZ2210030226	forth gear of counter shaft	1
6	AZ2210030224	third gear of counter shaft	1
7	AZ2210030203	second gear of counter shaft	1
8	WG2229030101	long flat key	1
9	Q5280514	elastic column pin	1
10	AZ2210030215	counter shaft (right)	1

范围档副箱总成

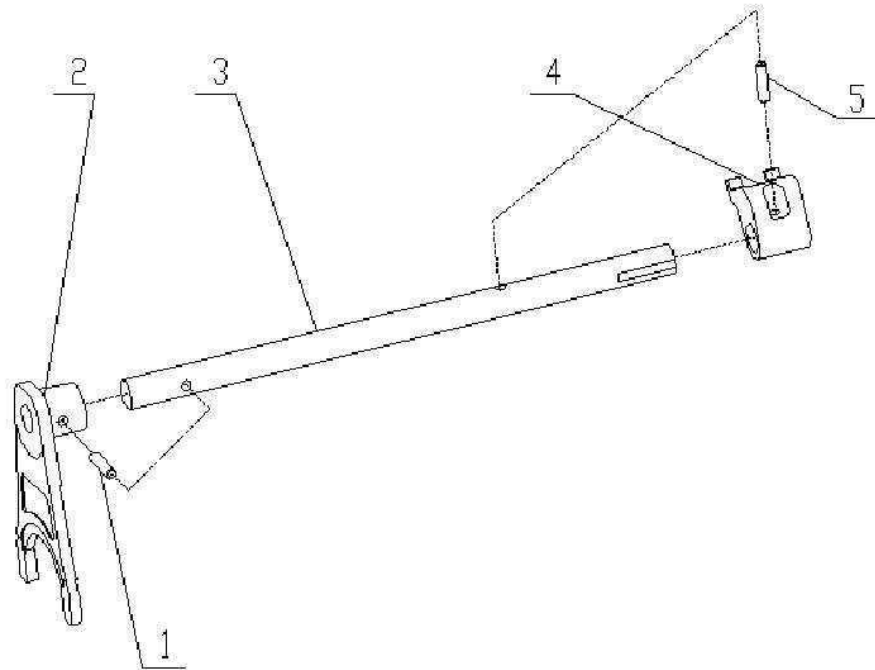


DEPUTY RANGE GEAR BOX, HW19710			
<i>powered by CHINA HEAVY TRUCK PARTS CO LTD, www.sinotrukhowo.cn</i>			
Serial	Number	Name	Quantity
-	AZ2203100042	deputy range gear box	
1	AZ9003326020	rolling bearing	1
2	AZ9003821255	inner-hexagon column head screw	5
3	AZ2225100002	front planet carrier	1
4	WG2229100001	bushing	5
5	AZ2229100005	front gasket for sun wheel	1
6	AZ2210100002	splined bushing	1
7	Q43875	retaining ring	1
8	AZ2210100003	transition bushing	1
9	WG2210100001	sun wheel	1
10	AZ2229100006	rear gasket for sun wheel	1
11	AZ9003326322	rolling bearing	1
12	AZ2225100001	output shaft	1
13	AZ9003991125	flatten retaining ring	1
14	AZ9003321820	rolling bearing	1
15	WG2210100005	annular gear	1
16	WG2210100006	gear ring carrier	1

17	WG2229100012	steel wire retaining ring	1
18	Q150B1235	hexagon head bolt	7
19	Q40112	flat gasket	7
20	WG2229100002	transition bushing	7
21	AZ2203100005	low gear cone hub	1
22	WG2229100032	spacer bush	1
23	WG2210100009	range synchronous ring	2
24	WG2214100003	range shift rod	1
25	WG2214100001	range shift fork	1
26	WG2229100042	shifter set	2
26	WG2229100042A	shifter set	
27	AZ9003072503	O-ring	1
28	AZ9003071700	O-ring	1
29	WG2229100045	range piston	1
30	AZ9003076900	O-ring	1
31	AZ9003870016	hexagon nut	1
32	WG2229100046	range paper pad	1
33	WG2222100003	range cylinder	1
34	Q150B1065	hexagon bolt	4
34、44	Q40310	spring gasket	4
35	AZ9003071001	milometer joint oil ring	1
36	AZ2212100002	milometer little gear shaft	1
37	AZ9003072500	O-ring	1
38	Q5220526	column pin	1
39	WG2222100002	milometer joint	1
40	AZ2210100016	milometer little gear	1
41	Q151B1450	hexagon bolt	4
42	WG2210100018	output flange	1
43	AZ9003070105	framework oil seal	1
44	Q150B1055	hexagon bolt	6
44	Q170B1055	hexagon bolt with hole on head	1
44	AZ9003801087	hexagon bolt	1
44	Q40310	spring gasket	8
45	WG2222100001	output shaft rear cap (for worm gear)	1
45	WG2222100005	output shaft rear cap (for electromagnetic gear)	1
46	WG2210100015	milometer worm (for worm gear)	1
46	AZ2210100020	sensor gear ring (for electromagnetic gear)	1
47	AZ2208100003	adjusting gasket set	1
48	AZ9003326218	rolling bearing	1
49	Q150B1216	hexagon bolt	4
49	Q40312	spring gasket	4
50	AZ2229100047	cover plate for hole for PTO shaft	1

51	WG2229100041	paper pad for rear cap of output shaft	1
52	AZ2229100048	pad for cover plate	1
53	AZ2220100105	rear cover for transmission	1
54	AZ9003990024	wave form elastic gasket	2
55	AZ2229100043	shifting fork supporting pin	2
56	AZ2203100007	oil ring assy	1
57	AZ2203100006	high gear cone hub assy	1
58	WG2210100008	range synchronizing sleeve	1
59	AZ9003991130	elastic retaining ring for shaft	1
60	WG2229020001	synchronizing block	9
61	WG2229020002	outer spring for block	9
62	WG2229020003	inner spring for block	9
63	WG2210100007	range synchronizing gear seat	1
64	AZ9003991056	elastic retaining ring for hole	1
65	WG2229100008	gasket for planet gear	10
66	WG2210100004	planet gear	5
67	AZ9003321118	column roller	120
68	WG2229100007	spacing piece for roller	15
69	WG2212100001	shaft for planet gear	5
70	Q5280630	elastic column pin	5
71	Q5280430	elastic column pin	5
72	Q150B1250	hexagon head bolt	2
72	Q40112	flat gasket	2
73	AZ9003960007	inner hexagon plug screw	1
74	WG2229210019	range lock spring	1
75	AZ9003331349	steel ball	1
76	AZ2229100029	range blocker	1
77	WG2229100003	transition bushing	2

倒档拨叉轴总成



REVERSE GEAR SHIFTING SHAFT, HW19710			
<i>powered by CHINA HEAVY TRUCK PARTS CO LTD, www.sinotrukhowo.cn</i>			
Serial	Number	Name	Quantity
-	AZ2203220001	reverse gear shifting shaft assy	
1	AZ2229220002	pin	1
2	WG2214220001	shifting fork	1
3	WG2212220001	reverse gear shifting shaft	1
4	WG2214220002	reverse gear shifting set	1
5	AZ2229220001	pin	1